



### CE Mark Warning

This is a Class B product. In a domestic environment, this product may cause radio interference, in which case the user may be required to take adequate measures.

**NOTE:** (1) The manufacturer is not responsible for any radio or TV interference caused by unauthorized modifications to this equipment. (2) To avoid unnecessary radiation interference, it is recommended to use a shielded RJ45 cable.



### FCC Statement

This equipment has been tested and found to comply with the limits for a Class B digital device, pursuant to part 15 of the FCC Rules. These limits are designed to provide reasonable protection against harmful interference when the equipment is operated in a commercial environment. This equipment generates, uses, and can radiate radio frequency energy and, if not installed and used in accordance with the instruction manual, may cause harmful interference to radio communications. Operation of this equipment in a residential area is likely to cause harmful interference in which case the user will be required to correct the interference at his own expense.

**FCC Caution:** Any changes or modifications not expressly approved by the party responsible for compliance could void the user's authority to operate this equipment.

This device complies with part 15 of the FCC Rules.

Operation is subject to the following two conditions:

(1) This device may not cause harmful interference, and (2) this device must accept any interference received, including interference that may cause undesired operation. The manufacturer is not responsible for any radio or TV interference caused by unauthorized modifications to this equipment.

# Install Guide

## PoE Injector

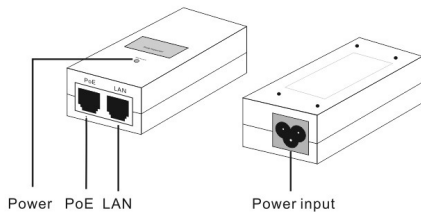
### Check Your Package

Open the package, and check the following items:

- PoE Injector
- Power Cord (may vary according to districts)
- Install Guide

If any item is incorrect, missing, or damaged, please contact your dealer for immediate replacement.

### Get to Know Your Device



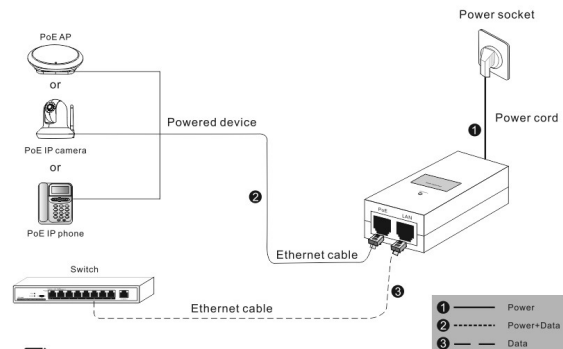
Item	Status	Description
Power (LED)	Green Solid	Power system works properly.
PoE (Port)	-	Power & data output port. Connect a PD to the PoE port with a Cat.5 or better Ethernet cable for power and data output.
LAN (Port)	-	Data input port. Connect a device like a switch to the LAN port with a Cat.5 or better Ethernet cable for network data input.
Power input (port)	-	Connect PoE injector to power supply with the included power cord via this port for power input. Power input request: 100-240V AC.



#### If the Power indicator works error, check the following:

1. Power cord is connected properly or the power supply is correct.
2. The connected PD is IEEE 802.3af-compliant or it matches the voltage request 48V. (IEEE 802.3at-compliant PD is not supported.)

### How to Install the Device



#### Tip

1. This PoE injector only applies to Ethernet device connection via Ethernet cable.
2. The PD must be IEEE 802.3af-compliant or match the voltage request 48V.

### Technical Specification

Basic	
Standard	IEEE 802.3, IEEE 802.3u
Interface	PoE port: Power&Data output port (10/100Mbps) LAN port: Data input port (10/100Mbps)
Output	48V $\bar{\bar{}}$ 15W
Input power	AC 100-240V 0.4A 50/60Hz
Transmission medium	Cat.5 or better Ethernet cable
Environment Requests	
Operation/ Storage Temperature	-10 $^{\circ}$ C~45 $^{\circ}$ C/ 0 $^{\circ}$ C~40 $^{\circ}$ C
Operation/ Storage Humidity	10%~90% RH (non-condensing) 5%~90% RH (non-condensing)