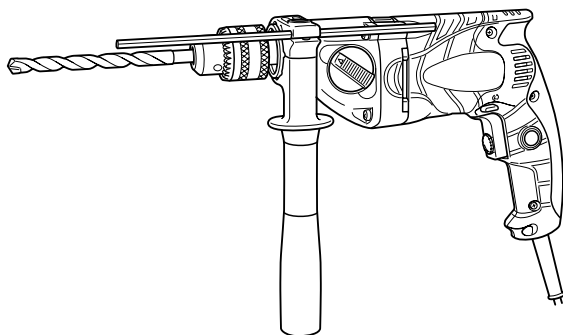


HITACHI

Impact Drill
Schlagbohrmaschine
Κρουστικό δραπανο
Wiertarka Udarowa
Ütvefúrógép
Príkleřová vrtačka
Darbeli Matkap
Ударная дрель

DV 18V



Read through carefully and understand these instructions before use.

Diese Anleitung vor Benutzung des Werkzeugs sorgfältig durchlesen und verstehen.

Διαβάστε προσεκτικά και κατανοήσετε αυτές τις οδηγίες πριν τη χρήση.

Przed użytkowaniem należy dokładnie przeczytać niniejszą instrukcję i zrozumieć jej treść.

Használat előtt olvassa el figyelmesen a használati utasítást.

Před použitím si pečlivě přečtěte tento návod a ujistěte se, že mu dobře rozumíte.

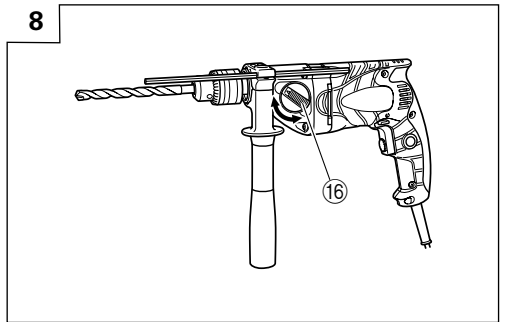
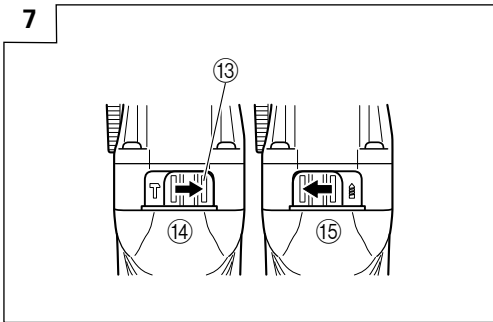
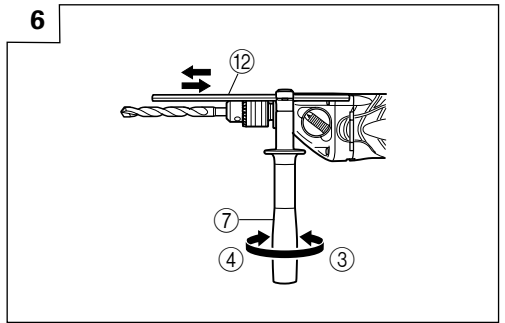
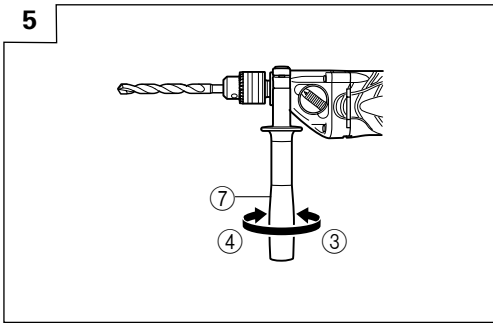
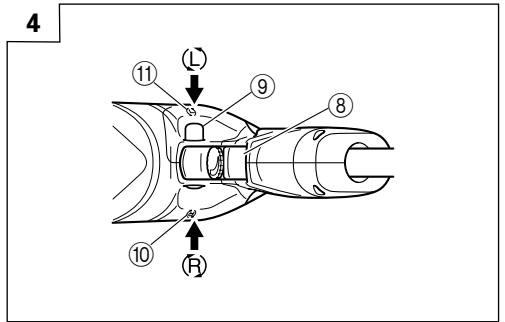
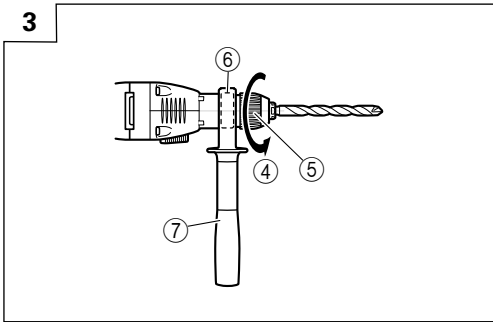
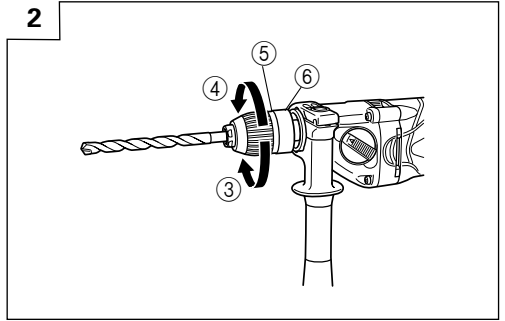
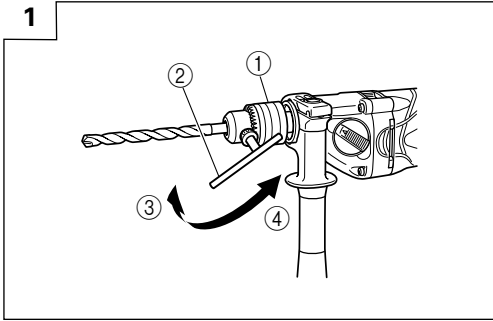
Aleti kullanmadan önce bu kılavuзу iyice okuyun ve talimatları anlayın.

Внимательно прочтите данную инструкцию по эксплуатации прежде чем пользоваться инструментом.

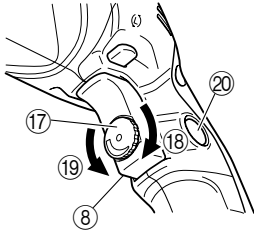


Handling instructions
Bedienungsanleitung
Οδηγίες χειρισμού
Instrukcja obsługi
Kezelési utasítás
Návod k obsluze
Kullanım talimatları
Инструкция по эксплуатации

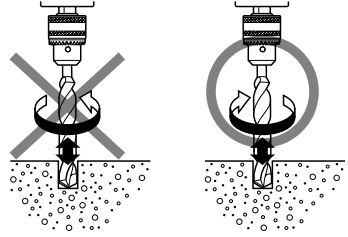
Hitachi Koki



9







10



	English	Deutsch	Ελληνικά	Polski
①	Drill chuck	Bohrfutter	Σφικτήρας δραπάνου	Uchwyt wiertarski
②	Chuck wrench	Futterschlüssel	Κλειδί σφικτήρα	Klucz do uchwytu wiertarskiego
③	Tighten	Anziehen	Σφίξετε	Dokręcanie
④	Loosen	Lösen	Χαλαρώστε	Luzowanie
⑤	Sleeve	Manschette	Συνδετικός δακτύλιος	Tuleja
⑥	Retaining ring	Haltering	Δακτύλιος συγκράτησης	Pierścień ustalający
⑦	Side handle	Seitengriff	Πλευρική λαβή	Uchwyt boczny
⑧	Switch trigger	Abzugschalter	Σκανδάλη διακόπτης	Spust włącznika
⑨	Push button	Druckknopf	Κουμπί ώθησης	Przycisk
⑩	(R) mark	Markierung (R)	(R) σημάδι	Symbol (R)
⑪	(L) mark	Markierung (L)	(L) σημάδι	Symbol (L)
⑫	Depth gauge	Tiefenlehre	Μετρητής βάθους	Ogranicznik głębokości
⑬	Change lever	Umschalthebel	Μοχλός αλλαγής	Dźwignia przełącznika
⑭	Impact	Schlagbohre	Κρούση	Uderzenia
⑮	Rotation	Bohren	Περιστροφή	Obroty
⑯	Gear shift dial	Gangschaltscheibe	Καντράν αλλαγής ταχύτητας	Pokrętło zmiany przełożenia
⑰	Speed control dial	Drehzahlskala	Καντράν ελέγχου ταχύτητας	Pokrętło kontroli prędkości
⑱	High speed	Hohe Drehzahl	Υψηλή ταχύτητα	Duża prędkość
⑲	Low speed	Niedrige Drehzahl	Χαμηλή ταχύτητα	Mała prędkość
⑳	Stopper	Stopper	Στόπερ	Zatyczka

	Magyar	Čeština	Türkçe	Русский
①	Fúrótokmány	Sklíčidlo	Matkap mandreni	Патрон дрели
②	Tokmánykulcs	Klíč sklíčidla	Mandren anahtarı	Ключ патрона
③	Megszorítani	Utažení	Sıkıştırma	Затянуть
④	Kiengedni	Povolení	Gevşetme	Ослабить
⑤	Karmantyú	Objímka	Manşon	Гильза
⑥	Visszatarató gyűrű	Zádržný kroužek	Tutucu halka	фиксирующее кольцо
⑦	Oldalfogantyú	Boční držadlo	Yan kol	Боковая рукоятка
⑧	Kapcsoló	Spoušť	Anahtar tetiği	Переключатель
⑨	Nyomógomb	Tlačítko	İtme düğmesi	Кнопка
⑩	(R) - jobbra forgásirány-jelölés	Znak pravého chodu (R)	(R) işareti	Знак (R) – влево
⑪	(L) - jobbra forgásirány-jelölés	Znak levého chodu (L)	(L) işareti	Знак (L) – влево
⑫	Mélységmérő	Měřítka hloubky	Derinlik ölçme aleti	Ограничитель глубины
⑬	Üzem mód váltó	Přepínač	Değiştirme kolu	Регулировочный рычаг
⑭	Terhelés	Příklep	Darbe	Удар
⑮	Forgás	Rotace	Devir	Вращение
⑯	Fordulatszám kapcsoló	Číselník převodovky	Vites değiştirme düğmesi	Диск переключения передачи
⑰	Fordulatszám szabályzó	Číselník volby rychlosti	Hız kontrol düğmesi	Диск регулировки скорости
⑱	Magas fordulatszám	Vysoká rychlost	Yüksek hız	Высокая скорость
⑲	Alacsony fordulatszám	Nizká rychlost	Düşük hız	Низкая скорость
⑳	Ütköző	Zarážka	Derinlik mesnedi	Стопор

	<p>Symbols ⚠ WARNING The following show symbols used for the machine. Be sure that you understand their meaning before use.</p>	<p>Symbole ⚠ WARNUNG Die folgenden Symbole werden für diese Maschine verwendet. Achten Sie darauf, diese vor der Verwendung zu verstehen.</p>	<p>Σύμβολα ⚠ ΠΡΟΣΟΧΗ Τα παρακάτω δείχνουν τα σύμβολα που χρησιμοποιούνται στο μηχάνημα. Βεβαιωθείτε ότι κατανοείτε τη σημασία τους πριν τη χρήση.</p>	<p>Symbole ⚠ OSTRZEŻENIE Następujące oznaczenia to symbole używane w instrukcji obsługi maszyny. Upewnij się, że rozumiesz ich znaczenie zanim użyjesz narzędzia.</p>
	<p>Read all safety warnings and all instructions. Failure to follow the warnings and instructions may result in electric shock, fire and/or serious injury.</p>	<p>Lesen Sie sämtliche Sicherheitshinweise und Anweisungen durch. Wenn die Warnungen und Anweisungen nicht befolgt werden, kann es zu Stromschlag, Brand und/oder ernsthaften Verletzungen kommen.</p>	<p>Διαβάστε όλες τις προειδοποιήσεις ασφαλείας και όλες τις οδηγίες. Η μη τήρηση των προειδοποιήσεων και οδηγιών μπορεί να προκαλέσει ηλεκτροπληξία, πυρκαγιά και/ή σοβαρό τραυματισμό.</p>	<p>Należy dokładnie zapoznać się ze wszystkimi ostrzeżeniami i wskazówkami bezpieczeństwa. Nieprzestrzeganie ostrzeżeń oraz wskazówek bezpieczeństwa może spowodować porażenie prądem elektrycznym, pożar i/lub odniesienie poważnych obrażeń.</p>
	<p>Only for EU countries Do not dispose of electric tools together with household waste material! In observance of European Directive 2002/96/EC on waste electrical and electronic equipment and its implementation in accordance with national law, electric tools that have reached the end of their life must be collected separately and returned to an environmentally compatible recycling facility.</p>	<p>Nur für EU-Länder Werfen Sie Elektrowerkzeuge nicht in den Hausmüll! Gemäss Europäischer Richtlinie 2002/96/EG über Elektro- und Elektronik-Altgeräte und Umsetzung in nationales Recht müssen verbrauchte Elektrowerkzeuge getrennt gesammelt und einer umweltgerechten Wiederverwertung zugeführt werden.</p>	<p>Μόνο για τις χώρες της ΕΕ Μην πετάτε τα ηλεκτρικά εργαλεία στον κάδο οικιακών απορριμμάτων! Σύμφωνα με την ευρωπαϊκή οδηγία 2002/96/ΕΚ περί ηλεκτρικών και ηλεκτρονικών συσκευών και την ενσωμάτωσή της στο εθνικό δίκαιο, τα ηλεκτρικά εργαλεία πρέπει να συλλέγονται ξεχωριστά και να επιστρέφονται για ανακύκλωση με τρόπο φιλικό προς το περιβάλλον.</p>	<p>Dotyczy tylko państw UE Nie wyrzucaj elektronarzędzi wraz z odpadami z gospodarstwa domowego! Zgodnie z Europejską Dyrektywą 2002/96/WE w sprawie zużytego sprzętu elektrotechnicznego i elektronicznego oraz dostosowaniem jej do prawa krajowego, zużyte elektronarzędzia należy posegregować i zutylizować w sposób przyjazny dla środowiska.</p>
	<p>Jelölések ⚠ FIGYELEM Az alábbiakban a géphez alkalmazott jelölések vannak felsorolva. A gép használatá előtt feltétlenül ismerje meg ezeket a jelöléseket.</p>	<p>Symbole ⚠ UPOZORNĚNÍ Následující text obsahuje symboly, které jsou použity na zařízení. Ujistěte se, že rozumíte jejich obsahu před tím, než začnete zařízení používat.</p>	<p>Simgeler ⚠ ΔΙΚΚΑΤ Aşağıda, bu alet için kullanılan simgeler gösterilmiştir. Aleti kullanmadan önce bu simgelerin ne anlama geldiğini anladığınızdan emin olun.</p>	<p>Символы ⚠ ПРЕДУПРЕЖДЕНИЕ Ниже приведены символы, используемые для машины. Перед началом работы обязательно убедитесь в том, что Вы понимаете их значение.</p>
	<p>Olvasson el minden biztonsági figyelmeztetést és minden utasítást. A figyelmeztetések és utasítások be nem tartása áramütést, tüzet és/vagy súlyos sérülést eredményezhet.</p>	<p>Přečtěte si všechna varování týkající se bezpečnosti a všechny pokyny. Nedodržení těchto varování a pokynů může mít za následek elektrický šok, požár a/nebo vážné zranění.</p>	<p>Tüm güvenlik uyarılarını ve tüm talimatları okuyun. Uyarılara ve talimatlara uyulmaması elektrik çarpmasına, yangına ve/veya ciddi yaralanmaya neden olabilir.</p>	<p>Прочтите все правила безопасности и инструкции. Не выполнение правил и инструкций может привести к поражению электрическим током, пожару и/или серьезной травме.</p>
	<p>Csak EU-országok számára Az elektromos kéziszerszámokat ne dobja a háztartási szemétkébe! A használt villamos és elektronikai készülékekről szóló 2002/96/EK irányelv és annak a nemzeti jogba való átültetése szerint az elhasznált elektromos kéziszerszámokat külön kell gyűjteni, és környezetbarát módon újra kell hasznosítani.</p>	<p>Jen pro státy EU Elektrické nářadí nevyhazujte do komunálního odpadu! Podle evropské směrnice 2002/96/EG o nakládání s použitými elektrickými a elektronickými zařízeními a odpovídajících ustanovení právních předpisů jednotlivých zemí se použitá elektrická nářadí musí sbírat odděleně od ostatního odpadu a podrobit ekologicky šetrnému recyklování.</p>	<p>Sadece AB ülkeleri için Elektrikli el aletlerini evdeki çöp kutusuna atmayınız! Kullanılmış elektrikli aletleri, elektrik ve elektronik eski cihazlar hakkındaki 2002/96/EC Avrupa yönergelerine göre ve bu yönergeyle uyulması hukuk kurallarına göre uyarlanarak, ayrı olarak toplanmalı ve çevre şartlarına uygun bir şekilde tekrar değerlendirilmeye gönderilmelidir.</p>	<p>Только для стран ЕС Не выкидывайте электроприборы вместе с обычным мусором! В соответствии с европейской директивой 2002/96/EG об утилизации старых электрических и электронных приборов и в соответствии с местными законами электроприборы, бывшие в эксплуатации, должны утилизироваться отдельно безопасным для окружающей среды способом.</p>

GENERAL POWER TOOL SAFETY WARNINGS

WARNING

Read all safety warnings and all instructions.

Failure to follow the warnings and instructions may result in electric shock, fire and/or serious injury.

Save all warnings and instructions for future reference.

The term "power tool" in the warnings refers to your mains-operated (corded) power tool or battery-operated (cordless) power tool.

1) Work area safety

- a) **Keep work area clean and well lit.**
Cluttered or dark areas invite accidents.
- b) **Do not operate power tools in explosive atmospheres, such as in the presence of flammable liquids, gases or dust.**
Power tools create sparks which may ignite the dust or fumes.
- c) **Keep children and bystanders away while operating a power tool.**
Distractions can cause you to lose control.

2) Electrical safety

- a) **Power tool plugs must match the outlet. Never modify the plug in any way. Do not use any adapter plugs with earthed (grounded) power tools.**
Unmodified plugs and matching outlets will reduce risk of electric shock.
- b) **Avoid body contact with earthed or grounded surfaces, such as pipes, radiators, ranges and refrigerators.**
There is an increased risk of electric shock if your body is earthed or grounded.
- c) **Do not expose power tools to rain or wet conditions.**
Water entering a power tool will increase the risk of electric shock.
- d) **Do not abuse the cord. Never use the cord for carrying, pulling or unplugging the power tool. Keep cord away from heat, oil, sharp edges or moving parts.**
Damaged or entangled cords increase the risk of electric shock.
- e) **When operating a power tool outdoors, use an extension cord suitable for outdoor use.**
Use of a cord suitable for outdoor use reduces the risk of electric shock.
- f) **If operating a power tool in a damp location is unavoidable, use a residual current device (RCD) protected supply.**
Use of an RCD reduces the risk of electric shock.

3) Personal safety

- a) **Stay alert, watch what you are doing and use common sense when operating a power tool. Do not use a power tool while you are tired or under the influence of drugs, alcohol or medication.**
A moment of inattention while operating power tools may result in serious personal injury.
- b) **Use personal protective equipment. Always wear eye protection.**
Protective equipment such as dust mask, non-skid safety shoes, hard hat, or hearing protection used for appropriate conditions will reduce personal injuries.
- c) **Prevent unintentional starting. Ensure the switch is in the off-position before connecting to power source and/or battery pack, picking up or carrying the tool.**

Carrying power tools with your finger on the switch or energising power tools that have the switch on invites accidents.

- d) **Remove any adjusting key or wrench before turning the power tool on.**
A wrench or a key left attached to a rotating part of the power tool may result in personal injury.
- e) **Do not overreach. Keep proper footing and balance at all times.**
This enables better control of the power tool in unexpected situations.
- f) **Dress properly. Do not wear loose clothing or jewellery. Keep your hair, clothing and gloves away from moving parts.**
Loose clothes, jewellery or long hair can be caught in moving parts.
- g) **If devices are provided for the connection of dust extraction and collection facilities, ensure these are connected and properly used.**
Use of dust collection can reduce dust related hazards.

4) Power tool use and care

- a) **Do not force the power tool. Use the correct power tool for your application.**
The correct power tool will do the job better and safer at the rate for which it was designed.
- b) **Do not use the power tool if the switch does not turn it on and off.**
Any power tool that cannot be controlled with the switch is dangerous and must be repaired.
- c) **Disconnect the plug from the power source and/or the battery pack from the power tool before making any adjustments, changing accessories, or storing power tools.**
Such preventive safety measures reduce the risk of starting the power tool accidentally.
- d) **Store idle power tools out of the reach of children and do not allow persons unfamiliar with the power tool or these instructions to operate the power tool. Power tools are dangerous in the hands of untrained users.**
- e) **Maintain power tools. Check for misalignment or binding of moving parts, breakage of parts and any other condition that may affect the power tool's operation. If damaged, have the power tool repaired before use. Many accidents are caused by poorly maintained power tools.**
- f) **Keep cutting tools sharp and clean.**
Properly maintained cutting tools with sharp cutting edges are less likely to bind and are easier to control.
- g) **Use the power tool, accessories and tool bits etc. in accordance with these instructions, taking into account the working conditions and the work to be performed.**
Use of the power tool for operations different from those intended could result in a hazardous situation.

5) Service

- a) **Have your power tool serviced by a qualified repair person using only identical replacement parts.**
This will ensure that the safety of the power tool is maintained.

PRECAUTION

Keep children and infirm persons away.

When not in use, tools should be stored out of reach of children and infirm persons.

IMPACT DRILL SAFETY WARNINGS

- Wear ear protectors with impact drills.**
Exposure to noise can cause hearing loss.
- Use auxiliary handles supplied with the tool.**
Loss of control can cause personal injury.
- Before drilling into walls, ceilings or floors, ensure that there are no concealed power cables inside.
- Always use side handle and hold the tool firmly with both hands.
- Always use the impact drill with clockwise rotation, when using it as an impact drill. (Fig. 10)

SPECIFICATIONS

Voltage (by areas)*	(110V, 220V, 230V, 240V) ∩		
Power input	690 W*		
Speed change	1	2	
No load speed	Forward rotation	0 – 1000 min ⁻¹	0 – 3000 min ⁻¹
	Reverse rotation	0 – 600 min ⁻¹	0 – 1800 min ⁻¹
Capacity	Steel	13 mm	8 mm
	Concrete	18 mm	13 mm
	Wood	40 mm	25 mm
Full load impact rate	8400 min ⁻¹	27300 min ⁻¹	
Weight (without cord)	2.0 kg		

*Be sure to check the nameplate on product as it is subject to change by areas.

STANDARD ACCESSORIES

- (1) Chuck Wrench (Spec. only for keyed chuck) 1
 (2) Side Handle 1
 (3) Depth Gauge 1
 Standard accessories are subject to change without notice.

OPTIONAL ACCESSORIES (sold separately)

- (1) Impact Drill Bit (for concrete)
 3.2 mm – 18 mm dia.
 Optional accessories are subject to change without notice.

APPLICATIONS

- By combined actions of ROTATION and IMPACT:
Boring holes in hard materials (concrete, marble, granite, tiles, etc.)
- By ROTATIONAL action:
Boring holes in metal, wood and plastic.

PRIOR TO OPERATION

- Power source**
Ensure that the power source to be utilized conforms to the power requirements specified on the product nameplate.
- Power switch**
Ensure that the power switch is in the OFF position. If the plug is connected to a receptacle while the power switch is in the ON position, the power tool will start operating immediately, inviting serious accident.
- Extension cord**
When the work area is removed from the power source, use an extension cord of sufficient thickness and rated capacity. The extension cord should be kept as short as practicable.

4. Selecting the appropriate drill bit

- When boring concrete or stone
Use the drill bits specified in the Optional Accessories.
- When boring metal or plastic
Use an ordinary metalworking drill bit.
- When boring wood
Use an ordinary woodworking drill bit.
However, when drilling 6.5 mm or smaller holes, use a metalworking drill bit.

5. Mounting and dismounting of the bit

For keyed chuck (Fig. 1)

- Open the chuck jaws, and insert the bit into the chuck.
- Place the chuck wrench in each of the three holes in the chuck, and turn it in the clockwise direction (viewed from the front side). Tighten securely.
- To remove the bit, place the chuck wrench into one of the holes in the chuck and turn it in the counterclockwise direction.

For keyless chuck (Fig. 2)

- Mounting the bit
Turn the sleeve counterclockwise and open the chuck. After inserting the drill bit into the chuck as far it will go, grip the retaining ring and close the chuck by turning the sleeve clockwise as viewed from the front.
- Dismounting the bit
Grip the retaining ring and open the chuck by turning the sleeve counterclockwise.

NOTE

When the sleeve does not become loose any further, fix the side handle to retaining ring, hold side handle firmly, then turn the sleeve to loosen by hand. (Fig. 3)

6. Check the rotational direction (Fig. 4)

The bit rotates clockwise (viewed from the rear side) by pushing the R-side of the push button.

The L-side of the push button is pushed to turn the bit counterclockwise.

(The (L) and (R) marks are provided on the body.)

CAUTION

Always use the impact drill with clockwise rotation, when using it as an impact drill.

7. Fixing the side handle (Fig. 5)

Attach the side handle to the mounting part.

Rotate the side handle grip in a clockwise direction to secure it.

Set the side handle to a position that is suited to the operation and then securely tighten the side handle grip.

To attach a depth gauge on the side handle, insert the gauge into the U-shaped groove on the side handle, adjust the position of the depth gauge in accordance with the desired depth of the hole, and firmly tighten the side handle grip. (Fig. 6)

8. IMPACT to ROTATION changeover (Fig. 7)

Shift the change lever between the right and left positions to switch easily between IMPACT (rotation and impact) and ROTATION (rotation only), respectively. To bore holes in hard materials such as concrete, stone and tiles, shift the change lever to the right-hand position (as indicated by the **T** mark).

The drill bit operates by the combined actions of impact and rotation.

To bore holes in metal, wood and plastic, shift the change lever to the left-hand position (as indicated by the **I** mark). The drill bit operates by rotational action only, as in the case of a conventional electric drill.

CAUTION

○ Do not use the Impact Drill in the IMPACT function if the material can be bored by rotation only. Such action will not only reduce drill efficiency, but may also damage the drill tip.

○ Operating the Impact Drill with the change lever in mid-position may result in damage. When switching, make sure that you shift the change lever to the correct position.

9. High-speed/Low-speed changeover

Prior to changing speed, ensure that the switch is in the OFF position, and the drill has come to a complete stop.

To change speed, rotate the gear shift dial as indicated by the arrow in Fig. 8. The numeral "1" engraved on the drill body denotes low speed, the numeral "2" denotes high speed.

If it is hard to turn the gear shift dial, turn the chuck slightly in either direction and then turn the gear shift dial again.

HOW TO USE

1. Switch operation

○ When the trigger is depressed, the tool rotates. When the trigger is released, the tool stops.

○ The rotational speed of the drill can be controlled by varying the amount that the trigger switch is pulled. Speed is low when the trigger switch is pulled slightly and increases as the trigger switch is pulled more.

○ The desired rotation speed can be pre-selected with the speed control dial.

Turn the speed control dial clockwise for higher speed and counterclockwise for lower speed. (Fig. 9)

○ Pulling the trigger and pushing the stopper, it keeps the switched-on condition which is convenient for

continuous running. When switching off, the stopper can be disconnected by pulling the trigger again.

CAUTION

If the L-side of push button is pressed for reverse bit rotation, the stopper cannot be used.

2. Drilling

○ When drilling, start the drill slowly, and gradually increasing speed as you drill.

○ Always apply pressure in a straight line with the bit. Use enough pressure to keep drilling, but do not push hard enough to stall the motor or deflect the bit.

○ To minimize stalling or breaking through the material, reduce pressure on drill and ease the bit through the last part of the hole.

○ If the drill stalls, release the trigger immediately, remove the bit from the work and start again. Do not click the trigger on and off in an attempt to start a stalled drill. This can damage the drill.

○ The larger the drill bit diameter, the larger the reactive force on your arm.

Be careful not to lose control of the drill because of this reactive force.

To maintain firm control, establish a good foothold, use side handle, hold the drill tightly with both hands, and ensure that the drill is vertical to the material being drilled.

MAINTENANCE AND INSPECTION

1. Inspecting the drill bits

Since use of an abraded drill bits will cause motor malfunctioning and degraded efficiency, replace the drill bits with a new one or resharpening without delay when abrasion is noted.

2. Inspecting the mounting screws

Regularly inspect all mounting screws and ensure that they are properly tightened. Should any of the screws be loose, retighten them immediately. Failure to do so could result in serious hazard.

3. Maintenance of the motor

The motor unit winding is the very "heart" of the power tool. Exercise due care to ensure the winding does not become damaged and/or wet with oil or water.

4. Inspecting the carbon brushes

For your continued safety and electrical shock protection, carbon brush inspection and replacement on this tool should ONLY be performed by a Hitachi Authorized Service Center.

5. Service parts list

A: Item No.
B: Code No.
C: No. Used
D: Remarks

CAUTION

Repair, modification and inspection of Hitachi Power Tools must be carried out by a Hitachi Authorized Service Center.

This Parts List will be helpful if presented with the tool to the Hitachi Authorized Service Center when requesting repair or other maintenance.

In the operation and maintenance of power tools, the safety regulations and standards prescribed in each country must be observed.

MODIFICATION

Hitachi Power Tools are constantly being improved and modified to incorporate the latest technological advancements.

Accordingly, some parts (i.e. code numbers and/or design) may be changed without prior notice.

GUARANTEE

We guarantee Hitachi Power Tools in accordance with statutory/country specific regulation. This guarantee does not cover defects or damage due to misuse, abuse, or normal wear and tear. In case of complaint, please send the Power Tool, undismantled, with the GUARANTEE CERTIFICATE found at the end of this Handling instruction, to a Hitachi Authorized Service Center.

NOTE

Due to HITACHI's continuing program of research and development, the specifications herein are subject to change without prior notice.

Information concerning airborne noise and vibration

The measured values were determined according to EN60745 and declared in accordance with ISO 4871.

Measured A-weighted sound power level: 110 dB (A).
Measured A-weighted sound pressure level: 99 dB (A).
Uncertainty KpA: 3 dB (A).

Wear hearing protection.

Vibration total values (triax vector sum) determined according to EN60745.

Impact drilling into concrete:
Vibration emission value **ah, ID** = 16.0 m/s²
Uncertainty K = 1.8 m/s²

WARNING

- The vibration emission value during actual use of the power tool can differ from the declared value depending on the ways in which the tool is used.
- To identify the safety measures to protect the operator that are based on an estimation of exposure in the actual conditions of use (taking account of all parts of the operating cycle such as the times when the tool is switched off and when it is running idle in addition to the trigger time).

ALLGEMEINE SICHERHEITSHINWEISE FÜR ELEKTROGERÄTE

⚠️ WARNUNG

Lesen Sie sämtliche Sicherheitshinweise und Anweisungen durch. Wenn die Warnungen und Anweisungen nicht befolgt werden, kann es zu Stromschlag, Brand und/oder ernsthaften Verletzungen kommen.

Bitte bewahren Sie alle Warnhinweise und Anweisungen zum späteren Nachschlagen auf.

Der Begriff „Elektrowerkzeug“ bezieht sich in den Warnhinweisen auf Elektrowerkzeuge mit Netz- (schnurgebunden) oder Akkubetrieb (schnurlos).

1) Sicherheit im Arbeitsbereich

- a) Sorgen Sie für einen sauberen und gut ausgeleuchteten Arbeitsbereich.

Zugestellte oder dunkle Bereiche ziehen Unfälle förmlich an.

- b) Verwenden Sie Elektrowerkzeuge niemals an Orten, an denen Explosionsgefahr besteht – zum Beispiel in der Nähe von leicht entflammaren Flüssigkeiten, Gasen oder Stäuben.

Bei der Arbeit mit Elektrowerkzeugen kann es zu Funkenbildung kommen, wodurch sich Stäube oder Dämpfe entzünden können.

- c) Sorgen Sie bei der Arbeit mit Elektrowerkzeugen dafür, dass sich keine Zuschauer (insbesondere Kinder) in der Nähe befinden.

Wenn Sie abgelenkt werden, können Sie die Kontrolle über das Werkzeug verlieren.

2) Elektrische Sicherheit

- a) Elektrowerkzeuge müssen mit passender Stromversorgung betrieben werden.

Nehmen Sie niemals irgendwelche Änderungen am Anschlussstecker vor.

Verwenden Sie bei Elektrowerkzeugen mit Schutzkontakt (geerdet) niemals Adapterstecker. Stecker im Originalzustand und passende Steckdosen reduzieren das Stromschlagrisiko.

- b) Vermeiden Sie Körperkontakt mit geerdeten Gegenständen wie Rohrleitungen, Heizungen, Herden oder Kühlschränken.

Bei Körperkontakt mit geerdeten Gegenständen besteht ein erhöhtes Stromschlagrisiko.

- c) Setzen Sie Elektrowerkzeuge niemals Regen oder sonstiger Feuchtigkeit aus.

Wenn Flüssigkeiten in ein Elektrowerkzeug eindringen, erhöht sich das Stromschlagrisiko.

- d) Verwenden Sie die Anschlusschnur nicht missbräuchlich. Tragen Sie das Elektrowerkzeug niemals an der Anschlusschnur, ziehen Sie es nicht damit heran und ziehen Sie den Stecker nicht an der Anschlusschnur aus der Steckdose.

Halten Sie die Anschlusschnur von Hitzequellen, Öl, scharfen Kanten und beweglichen Teilen fern. Beschädigte oder verdrehte Anschlusschnüre erhöhen das Stromschlagrisiko.

- e) Wenn Sie ein Elektrowerkzeug im Freien benutzen, verwenden Sie ein für den Außeneinsatz geeignetes Verlängerungskabel.

Ein für den Außeneinsatz geeignetes Kabel vermindert das Stromschlagrisiko.

- f) Falls sich der Betrieb des Elektrowerkzeuges in feuchter Umgebung nicht vermeiden lässt, verwenden Sie eine Stromversorgung mit Fehlerstromschutzeinrichtung (Residual Current Device, RCD).

Durch den Einsatz einer Fehlerstromschutzeinrichtung wird das Risiko eines elektrischen Schlages reduziert.

3) Persönliche Sicherheit

- a) Bleiben Sie wachsam, achten Sie auf das, was Sie tun, und setzen Sie Ihren Verstand ein, wenn Sie mit Elektrowerkzeugen arbeiten.

Benutzen Sie keine Elektrowerkzeuge, wenn Sie müde sind oder unter Einfluss von Drogen, Alkohol oder Medikamenten stehen.

Bei der Arbeit mit Elektrowerkzeugen können bereits kurze Phasen der Unaufmerksamkeit zu schweren Verletzungen führen.

- b) Benutzen Sie eine persönliche Schutzausrüstung. Tragen Sie immer einen Augenschutz.

Schutzausrüstung wie Staubmaske, rutschsichere Sicherheitsschuhe, Schutzhelm und Gehörschutz senken das Verletzungsrisiko bei angemessenem Einsatz.

- c) Vermeiden Sie unbeabsichtigten Anlauf. Achten Sie darauf, dass sich der Schalter in der Aus- (Off-) Position befindet, ehe Sie das Gerät mit der Stromversorgung und/oder Batteriestromversorgung verbinden, es aufheben oder herumtragen.

Das Herumtragen von Elektrowerkzeugen mit dem Finger am Schalter oder das Herstellen der Stromversorgung bei betätigtem Schalter zieht Unfälle regelrecht an.

- d) Entfernen Sie sämtliche Einstellwerkzeuge (Einstellschlüssel), ehe Sie das Elektrowerkzeug einschalten.

Ein an einem beweglichen Teil des Elektrowerkzeugs angebrachter Schlüssel kann zu Verletzungen führen.

- e) Sorgen Sie für einen festen Stand. Achten Sie jederzeit darauf, sicher zu stehen und das Gleichgewicht zu bewahren.

Dadurch haben Sie das Elektrowerkzeug in unerwarteten Situationen besser im Griff.

- f) Kleiden Sie sich richtig. Tragen Sie keine lose Kleidung oder Schmuck. Halten Sie Haar, Kleidung und Handschuhe von beweglichen Teilen fern.

Lose Kleidung, Schmuck oder langes Haar kann von beweglichen Teilen erfasst werden.

- g) Wenn Anschlüsse für Staubabsaug- und -sammelvorrichtungen vorhanden sind, sorgen Sie dafür, dass diese richtig angeschlossen und eingesetzt werden.

Durch Entfernen des Staubes können staubbezogene Gefahren vermindert werden.

4) Einsatz und Pflege von Elektrowerkzeugen

- a) Überansprechen Sie Elektrowerkzeuge nicht. Benutzen Sie das richtige Elektrowerkzeug für Ihren Einsatzzweck.

Das richtige Elektrowerkzeug erledigt seine Arbeit bei bestimmungsgemäßem Einsatz besser und sicherer.

- b) Benutzen Sie das Elektrowerkzeug nicht, wenn es sich nicht am Schalter ein- und ausschalten lässt.

Jedes Elektrowerkzeug, das nicht mit dem Schalter betätigt werden kann, stellt eine Gefahr dar und muss repariert werden.

- c) Stecken Sie den Stecker der Stromversorgung oder Batteriestromversorgung vom Gerät ab, ehe Sie Einstellarbeiten vornehmen, Zubehörteile tauschen oder das Elektrowerkzeug verstauen.

Solche präventiven Sicherheitsmaßnahmen verhindern den unbeabsichtigten Anlauf des Elektrowerkzeugs und die damit verbundenen Gefahren.

- d) Lagern Sie nicht benutzte Elektrowerkzeuge außerhalb der Reichweite von Kindern, lassen Sie nicht zu, dass Personen das Elektrowerkzeug bedienen, die nicht mit dem Werkzeug selbst und/oder diesen Anweisungen vertraut sind.

Elektrowerkzeuge in ungeschulten Händen sind gefährlich. Halten Sie Elektrowerkzeuge in Stand. Prüfen Sie auf Fehlausrichtungen, sicheren Halt und Leichtgängigkeit beweglicher Teile, Beschädigungen von Teilen und auf jegliche andere Zustände, die sich auf den Betrieb des Elektrowerkzeugs auswirken können.

Bei Beschädigungen lassen Sie das Elektrowerkzeug reparieren, ehe Sie es benutzen.

Viele Unfälle mit Elektrowerkzeugen sind auf schlechte Wartung zurückzuführen.

- f) Halten Sie Schneidwerkzeuge scharf und sauber. Richtig gewartete Schneidwerkzeuge mit scharfen Schneidkanten bleiben weniger häufig hängen und sind einfacher zu beherrschen.
 - g) Benutzen Sie Elektrowerkzeuge, Zubehör, Werkzeugspitzen und Ähnliches in Übereinstimmung mit diesen Anweisungen – beachten Sie dabei die jeweiligen Arbeitsbedingungen und die Art und Weise der auszuführenden Arbeiten. Der Gebrauch des Elektrowerkzeuges für andere als die vorgesehenen Anwendungen kann zu gefährlichen Situationen führen.
- 5) Service
- a) Lassen Sie Elektrowerkzeuge durch qualifizierte Fachkräfte und unter Einsatz passender, zugelassener Originalteile warten. Dies sorgt dafür, dass die Sicherheit des Elektrowerkzeugs nicht beeinträchtigt wird.

SICHERHEITSHINWEISE FÜR DIE BENUTZUNG DES SCHLAGBOHRMASCHINE

1. **Tragen Sie bei der Arbeit mit Schlagbohrmaschinen einen Gehörschutz.**
Starke und/oder dauerhafte Lärmbelastung kann zu Hörverlust führen.
2. **Benutzen Sie die mit dem Werkzeug gelieferten Zusatzgriffe.**
Wenn Sie die Kontrolle über das Werkzeug verlieren, kann es zu Verletzungen kommen.
3. **Bevor man in Wände, in Decken oder Boden bohrt, muß man sich davon überzeugen, daß keine elektrischen Kabel oder Kabelrohre darunter liegen.**
4. **Benutzen Sie immer den seitlichen Griff und halten Sie das Werkzeug mit beiden Händen gut fest.**
5. **Immer den Schlagbohrschrauber im Uhrzeigersinn betätigen, wenn er als Stoßbohrer gebraucht wird. (Abb. 10)**

VORSICHT

Von Kindern und gebrechlichen Personen fernhalten.

Werkzeuge sollten bei Nichtgebrauch außerhalb der Reichweite von Kindern und gebrechlichen Personen aufbewahrt werden.

TECHNISCHE DATEN

Spannung (je nach Gebiet)*		(110V, 220V, 230V, 240V) ~	
Leistungsaufnahme		690 W*	
Geschwindigkeitsstufen		1	2
Leerlaufdrehzahl	Vorwärtsdrehung	0 – 1000 min ⁻¹	0 – 3000 min ⁻¹
	Rückwärtsdrehung	0 – 600 min ⁻¹	0 – 1800 min ⁻¹
Kapazität	Stahl	13 mm	8 mm
	Beton	18 mm	13 mm
	Holz	40 mm	25 mm
Vollastschlagzahl		8400 min ⁻¹	27300 min ⁻¹
Gewicht (ohne Kabel)		2,0 kg	

*Vergessen Sie nicht, die Produktangaben auf dem Typenschild zu überprüfen, da sich diese je nach Verkaufsgebiet ändern.

STANDARDZUBEHÖR

- (1) Bohrfutterschlüssel (Spez. nur für Zahnkranz-Bohrfutter) 1
 - (2) Handgriff 1
 - (3) Tiefenlehre 1
- Das Standardzubehör kann ohne vorherige Bekanntmachung jederzeit geändert werden.

ANWENDUNGEN

- Kombiniertes Betrieb von DREHUNG und STOSS:
Bohren von Löchern in harten Flächen (Beton, Marmor, Granit, Kachel, etc.)
- Betrieb durch einfache DREHUNG:
Bohren von Löchern in Metall, Holz und plastisches Material.

SONDERZUBEHÖR (separat zu beziehen)

- (1) Schlagbohrer (für Beton)
3,2 mm bis 18 mm Durchmesser
Das sonderzubehör kann ohne vorherige Bekanntmachung jederzeit geändert werden.

VOR INBETRIEBNAHME

1. **Netzspannung**
Prüfen, daß die zu verwendende Netzspannung der Angabe auf dem Typenschild entspricht.
2. **Netzschalter**
Prüfen, daß der Netzschalter auf "AUS" steht. Wenn der Stecker an das Netz angeschlossen ist, Während der Schalter auf "EIN" steht, beginnt das Werkzeug sofort zu laufen und bedeutet ernsthaftige Gefahr.

3. Verlängerungskabel

Wenn der Arbeitsbereich nicht in der Nähe des Netzanschlusses liegt, ist ein Verlängerungskabel ausreichenden Querschnitts und ausreichender Nennleistung zu verwenden. Das Verlängerungskabel sollte so kurz wie möglich gehalten werden.

4. Wahl des geeigneten Bohrers

- Beim Bohren von Beton oder Stein
Die unter Sonderzubehör aufgeführten Bohrer verwenden.
- Beim Bohren von Metall oder Kunststoff
Einen normalen Metallbohrer verwenden.
- Beim Bohren von Holz
Einen normalen Holzspiralbohrer verwenden. Für Löcher von 6,5 mm oder kleiner wird ein Metallbohrer verwendet.

5. Anbringen und Abnehmen der Werkzeugspitze

Für Zahnkranz-Bohrfutter (Abb. 1)

- (1) Öffnen Sie die Spannbacken des Futter und schieben Sie den Bohrer in das Futter.
- (2) Schieben Sie den Futter Schlüssel in jedes der drei Löcher des Spannfutters ein und drehen Sie den Schlüssel im Uhrzeigersinn (von der Vorderseite her gesehen). Ziehen Sie fest an.
- (3) Schieben Sie zum Entfernen des Bohrers den Futter Schlüssel in eins der Löcher des Spannfutters und drehen Sie ihn gegen den Uhrzeigersinn.

Für ein schlüsselfreies Spannfutter (Abb. 2)

- (1) Anbringen des Bohrers
Die Futterbuchse gegen den Uhrzeigersinn drehen und das Futter öffnen. Den Bohrer bis zum Anschlag in das Futter schieben, den Haltering fassen und das Futter durch Drehen der Futterbuchse von vorne gesehen im Uhrzeigersinn schließen.
- (2) Entfernen des Bohrers
Den Haltering fassen und das Futter durch Drehen der Futterbuchse gegen den Uhrzeigersinn öffnen.

HINWEIS

Wenn sich die Futterbuchse nicht weiter lockern läßt, so fixieren Sie den Seitengriff am Haltering, halten Sie den Seitengriff fest, und drehen Sie dann die Futterbuchse, um sie von Hand zu lösen. (Abb. 3)

6. Überprüfen der Drehrichtung (Abb. 4)

Der Bohrer dreht sich im Uhrzeigersinn (gesehen von hinten), Wenn die R-Seite des Druckknopfs gedrückt wird. Wenn die L-Seite des Bohrers gedrückt wird, dreht sich der Bohrer gegen den Uhrzeigersinn. (Die Markierungen (L) und (R) befinden sich auf dem Körper der Bohrmaschine.)

VORSICHT

Immer den Schlagbohrschrauber im Uhrzeigersinn betätigen, wenn er als Stoßbohrer gebraucht wird.

7. Anbringen des Handgriffes (Abb. 5)

Den Handgriff an der Halterung anbringen. Den Griff des Handriffs zum Befestigen im Uhrzeigersinn drehen.

Den Handgriff in eine Position stellen, die der Bedienung angemessen ist, und dann den Handgriff sicher befestigen. Zum Anbringen des Tiefenanschlages am Handgriff die Anschlagstange in die U-förmige Rille des Handgriffs einsetzen, den Tiefenanschlag auf die gewünschte Lochtiefe einstellen und den Seitenhandgriff fest anziehen. (Abb. 6)

8. Umstellung von SCHLAGBOHREFUNKTION auf BOHREN (Abb. 7)

Den Umschalthebel zwischen der rechten und der linken Position umschalten, um zwischen IMPACT (Schlagen und Drehen) und ROTATION (nur Drehen) umzuschalten.

Zum Bohren von Löchern in harten Materialien wie Beton oder Dachziegeln den Umschalthebel zur rechten Position (wie durch die Markierung **T** angezeigt) umschalten. Der Bohrer führt dann Schlagbohren durch eine Kombination von Schlag und Drehen durch.

Zum Bohren von Löchern in Metall, Holz oder Plastik den Umschalthebel zur linken Position (wie durch die Markierung **R** angezeigt) umschalten. Der Bohrer arbeitet dann wie ein herkömmlicher Elektrobohrer nur durch Drehung.

VORSICHT

- Den Schlagbohrer nicht mit der Schlagbohrfunktion verwenden, wenn sich das Material in reiner Bohrfunktion bohren läßt. Dadurch wird nicht nur die Leistung des Bohrers vermindert, sondern es kann auch die Bohrer Spitze beschädigt werden.
- Betrieb des Schlagbohrers mit dem Umschalthebel in mittlerer Stellung kann Beschädigung verursachen. Beim Umschalten immer sicherstellen, dass der Umschalthebel in die richtige Position geschaltet wird.

9. Umschalten von hoher Drehzahl auf niedrige Drehzahl:

Vor der Veränderung der Drehzahl muß man sich überzeugen, daß der Schalter auf "AUS" steht und sich der Bohrer nicht mehr bewegt.

Die Gangschaltschiebe drehen. Zum Umschalten wird der Umschaltfesteller eingedrückt und die gewünschte Richtung geschoben, wie in **Abb. 8** durch den Pfeil angegeben ist. Die auf dem Gehäuse eingeprägte Ziffer "1" bedeutet niedrige Drehzahl, die Ziffer "2" bedeutet hohe Drehzahl.

Wenn sich die Gangschaltscheibe nur schwer drehen läßt, drehen Sie das Bohrfutter ein wenig hin und her und betätigen die Gangschaltscheibe danach erneut.

VERWENDUNG

1. Schalterbetätigung

- Wenn der Abzugschalter durchgedrückt wird, dreht sich das Werkzeug. Wenn der Abzugschalter losgelassen wird, hält das Werkzeug an.
- Die Drehzahl des Bohrers kann durch entsprechendes Durchziehen des Abzugschalters geregelt werden. Wenn der Abzugschalter nur leicht durchgedrückt wird, ist die Drehzahl niedrig, und sie nimmt zu, wenn der Abzugschalter stärker durchgedrückt wird.
- Die gewünschte Drehzahl kann mit der Drehzahlskala voreingestellt werden.
Drehen Sie die Drehzahlskala im Uhrzeigersinn für eine höhere Drehzahl und gegen den Uhrzeigersinn für eine niedrigere Drehzahl. (Abb. 9)
- Wenn der Abzugschalter durchgedrückt und der Stopper gedrückt wird, bleibt die Maschine eingeschaltet, was angenehm für kontinuierliche Verwendung ist. Zum Ausschalten kann der Stopper durch erneutes Durchdrücken des Abzugschalters freigegeben werden.

VORSICHT

Wenn die L-Seite des Druckknopfes für Rückwärts-Bitdrehung gedrückt ist, kann der Stopper nicht verwendet werden.

2. Bohren

- Starten Sie zum Bohren die Bohrmaschine langsam und erhöhen Sie die Drehzahl beim Bohren.
- Drücken Sie immer in einer geraden Linie mit dem Bohrer. Drücken Sie mit ausreichender Kraft, um weiter zu Bohren, aber nicht so stark, daß der Motor anhält oder der Bohrer abgelenkt wird.
- Verringern Sie am Ende des Loches den Druck auf den Bohrer und leiten Sie den Bohrer vorsichtig durch den letzten Teil des Loches, um Stehenbleiben oder Durchbrechen durch das Material zu vermeiden.
- Wenn der Bohrer stehenbleibt, so lassen Sie sofort den Abzugschalter los, ziehen Sie den Bohrer aus dem Loch, und beginnen Sie erneut. Ziehen Sie nicht den Abzugschalter wiederholt durch, um einen stehengebliebenen Bohrer zu starten. Dies kann den Bohrer beschädigen.
- Je größer der Durchmesser des Bohrers ist, um so stärker ist die Reaktionskraft auf Ihren Arm. Achten Sie darauf, durch die Reaktionskraft nicht die Kontrolle über die Bohrmaschine zu verlieren. Stellen Sie sich für sichere Kontrolle des Bohrers sicher hin, verwenden Sie den Seitengriff, halten Sie die Bohrmaschine mit beiden Händen fest, und stellen Sie sicher, daß der Bohrer senkrecht zum zu bohrenden Material steht.

WARTUNG UND INSPEKTION**1. Inspektion der Bohrer**

Da ein abgenutzter Bohrer Fehlfunktion des Motors und verringerte Wirksamkeit verursacht, sollten Sie die Bohrer sofort schärfen durch neue ersetzen, wenn Verschleiß festgestellt wird.

2. Inspektion der Befestigungsschraube

Alle Befestigungsschrauben werden regelmäßig inspiziert und geprüft, daß sie richtig angezogen sind. Wenn sich eine der Schrauben lockert, muß sie sofort wieder angezogen werden. Geschieht das nicht, kann das zu erheblicher Gefahr führen.

3. Wartung des Motors

Die Motorwicklung ist das "Herz" des Elektrowerkzeugs. Daher ist besonders sorgfältig darauf zu achten, daß die Wicklung nicht beschädigt und/oder mit Öl oder Wasser benetzt wird.

4. Inspektion der Kohlebürsten

Zur Erhaltung Ihrer Sicherheit und des Schutzes gegen elektrischen Schlag sollten Inspektion und Auswechseln der Kohlebürsten NUR durch ein Autorisiertes Hitachi-Wartungszentrum durchgeführt werden.

5. Liste der Wartungsteile

- A: Punkt Nr.
- B: Code Nr.
- C: Verwendete Anzahl
- D: Bemerkungen

ACHTUNG

Reparatur, Modifikation und Inspektion von Hitachi-Elektrowerkzeugen müssen durch ein Autorisiertes Hitachi-Wartungszentrum durchgeführt werden.

Diese Teileliste ist hilfreich, wenn sie dem Autorisierten Hitachi-Wartungszentrum zusammen mit dem Werkzeug für Reparatur oder Wartung ausgehändigt wird.

Bei Betrieb und Wartung von Elektrowerkzeugen müssen die Sicherheitsvorschriften und Normen beachtet werden.

MODIFIKATIONEN

Hitachi-Elektrowerkzeuge werden fortwährend verbessert und modifiziert, um die neuesten technischen Fortschritte einzubauen. Dementsprechend ist es möglich, daß einige Teile (z.B. Codenummern bzw. Entwurf) ohne vorherige Benachrichtigung geändert werden.

GARANTIE

Auf Hitachi-Elektrowerkzeuge gewähren wir eine Garantie unter Zugrundelegung der jeweils geltenden gesetzlichen und landesspezifischen Bedingungen. Dieses Garantie erstreckt sich nicht auf Gehäusedefekte und nicht auf Schäden, die auf Missbrauch, bestimmungswidrigen Einsatz oder normalen Verschleiß zurückzuführen sind. Im Schadensfall senden Sie das nicht zerlegte Elektrowerkzeug zusammen mit dem GARANTIESCHEIN, den Sie am Ende der Bedienungsanleitung finden, an ein von Hitachi autorisiertes Servicecenter.

HINWEIS

Aufgrund des ständigen Forschungs- und Entwicklungsprogramms von HITACHI sind Änderungen der hierin gemachten technischen Angaben vorbehalten.

Information über Betriebslärm und Vibration

Die gemessenen Werte wurden entsprechend EN60745 bestimmt und in Übereinstimmung mit ISO 4871 ausgewiesen.

Gemessener A-gewichteter Schallpegel: 110 dB (A)
 Gemessener A-gewichteter Schalldruck: 99 dB (A)
 Messunsicherheit KpA: 3 dB (A)

Gehörschutz tragen.

Gesamtvibrationswerte (3-Achsen-Vektorsumme), bestimmt gemäß EN60745.

Schlagbohren in Beton:
 Vibrationsemissionswert $a_{h, ID}$ = 16,0 m/s²
 Messunsicherheit K = 1,8 m/s²

WARNUNG

- Der Vibrationsemissionswert während der tatsächlichen Benutzung des Elektrowerkzeugs kann von dem deklarierten Wert abweichen, abhängig davon, wie das Werkzeug verwendet wird.
- Zur Festlegung der Sicherheitsmaßnahmen zum Schutz des Bedieners, die auf einer Expositionseinschätzung unter den tatsächlichen Benutzungsbedingungen beruhen (unter Berücksichtigung aller Bereiche des Betriebszyklus, darunter neben der Triggerzeit auch die Zeiten, in denen das Werkzeug ausgeschaltet ist oder im Leerlaufbetrieb läuft).

ΓΕΝΙΚΕΣ ΠΡΟΕΙΔΟΠΟΙΗΣΕΙΣ ΑΣΦΑΛΕΙΑΣ ΗΛΕΚΤΡΙΚΟΥ ΕΡΓΑΛΕΙΟΥ

ΠΡΟΣΟΧΗ

Διαβάξτε όλες τις προειδοποιήσεις ασφαλείας και όλες τις οδηγίες.

Η μη τήρηση των προειδοποιήσεων και οδηγιών μπορεί να προκαλέσει ηλεκτροπληξία, πυρκαγιά και/ή σοβαρό τραυματισμό.

Φυλάξτε όλες τις προειδοποιήσεις και τις οδηγίες για μελλοντική αναφορά.

Ο όρος "ηλεκτρικό εργαλείο" στις προειδοποιήσεις αναφέρεται στο ηλεκτρικό εργαλείο (με καλώδιο) που λειτουργεί στους αγωγούς ή στο ηλεκτρικό εργαλείο που λειτουργεί στη μπαταρία (χωρίς καλώδιο).

1) Ασφάλεια χώρου εργασίας

a) Διατηρείτε το χώρο εργασίας καθαρό και καλά φωτισμένο.

Σε ακατάστατες ή σκοτεινές περιοχές μπορεί να προκληθούν ατυχήματα.

b) Μην χρησιμοποιείτε τα ηλεκτρικά εργαλεία σε περιβάλλον, στο οποίο μπορεί να προκληθεί έκρηξη, όπως παρουσία εύφλεκτων υγρών, αερίων ή σκόνης.

Τα ηλεκτρικά εργαλεία δημιουργούν σπινθήρες, οι οποίοι μπορεί να αναφλέξουν τη σκόνη ή τον καπνό.

c) Κρατήστε τα παιδιά και τους παρευρισκόμενους μακριά όταν χρησιμοποιείτε ένα ηλεκτρικό εργαλείο.

Αν αποσπαστεί η προσοχή σας, υπάρχει κίνδυνος να χάσετε τον έλεγχο.

2) Ηλεκτρική ασφάλεια

a) Τα φως των ηλεκτρικών εργαλείων πρέπει να είναι κατάλληλα για τις πρίζες.

Μην τροποποιήσετε ποτέ το φως με οποιονδήποτε τρόπο. Μην χρησιμοποιείτε φως προσαρμογής με γειωμένα ηλεκτρικά εργαλεία.

Τα μη τροποποιημένα φως και οι κατάλληλες πρίζες μειώνουν τον κίνδυνο ηλεκτροπληξίας.

b) Αποφύγετε τη σωματική επαφή με γειωμένες επιφάνειες όπως σωλήνες, θερμάστρες, μαγειρικές συσκευές και ψυγεία.

Υπάρχει αυξημένος κίνδυνος ηλεκτροπληξίας όταν το σώμα σας είναι γειωμένο.

c) Μην εκθέτετε τα ηλεκτρικά εργαλεία στη βροχή ή σε συνθήκες υγρασίας.

Το νερό που εισέρχεται σε ένα ηλεκτρικό εργαλείο αυξάνει τον κίνδυνο ηλεκτροπληξίας.

d) Μην ασκείτε δύναμη στο καλώδιο. Μην χρησιμοποιείτε ποτέ το καλώδιο για να μεταφέρετε, να τραβήξετε ή να θγάλετε από την πρίζα το ηλεκτρικό εργαλείο.

Κρατήστε το καλώδιο μακριά από θερμότητα, λάδι, κοφτερές γωνίες και κινούμενα μέρη.

Τα κατεστραμμένα ή μπερδεμένα καλώδια αυξάνουν τον κίνδυνο ηλεκτροπληξίας.

e) Όταν χρησιμοποιείτε το εργαλείο σε εξωτερικό χώρο, χρησιμοποιήστε καλώδιο προέκτασης που προορίζεται για χρήση σε εξωτερικό χώρο.

Η χρήση ενός καλώδιου κατάλληλου για εξωτερικό χώρο μειώνει τον κίνδυνο ηλεκτροπληξίας.

f) Αν είναι αναπόφευκτη η λειτουργία ενός ηλεκτρικού εργαλείου σε χώρο με υγρασία, χρησιμοποιείτε διάταξη προστασίας ρεύματος διαρροής (RCD).

Η χρήση της RCD μειώνει τον κίνδυνο ηλεκτροπληξίας.

3) Προσωπική ασφάλεια

a) Να είστε σε ετοιμότητα, να βλέπετε αυτό που κάνετε και να χρησιμοποιείτε την κοινή λογική όταν χρησιμοποιείτε ένα ηλεκτρικό εργαλείο.

Μη χρησιμοποιείτε ηλεκτρικά εργαλεία όταν είστε κουρασμένοι ή υπό την επήρεια ναρκωτικών ουσιών, οινοπνεύματος ή φαρμάκων.

Μια στιγμή απροσεξίας κατά τη χρήση ενός ηλεκτρικού εργαλείου μπορεί να προκαλέσει σοβαρό προσωπικό τραυματισμό.

b) Χρησιμοποιείτε προσωπικό προστατευτικό εξοπλισμό. Φοράτε πάντα προστασία για τα μάτια.

Ο προστατευτικός εξοπλισμός, όπως μάσκα για τη σκόνη, αντιολισθητικά παπούτσια, σκληρό καπέλο ή προστασία για τα αυτιά, που χρησιμοποιείται για ανάλογες συνθήκες μπορεί να μειώσει τους τραυματισμούς.

c) Προλαμβάνετε τυχόν ακούσια εκκίνηση. Βεβαιωθείτε ότι ο διακόπτης είναι σε θέση απενεργοποίησης πριν συνδέσετε τη συσκευή με πηγή ρεύματος και/ή τη θήκη της μπαταρίας, πριν σηκώσετε ή μεταφέρετε το εργαλείο.

Η μεταφορά ηλεκτρικού εργαλείου με τα δάχτυλά σας στο διακόπτη ή η ηλεκτροδότηση ηλεκτρικού εργαλείου με ενεργοποιημένο το διακόπτη μπορεί να προκαλέσουν ατυχήματα.

d) Να αφαιρείτε τυχόν κλειδιά ρυθμιζόμενου ανοίγματος ή τα απλά κλειδιά πριν θέσετε σε λειτουργία το ηλεκτρικό εργαλείο.

Ένα από κλειδί ή ένα κλειδί ρυθμιζόμενου ανοίγματος που είναι προσαρτημένο σε περιστρεφόμενο εξάρτημα του ηλεκτρικού εργαλείου μπορεί να προκαλέσει προσωπικό τραυματισμό.

e) Μην τεντώνετε. Να διατηρείτε πάντοτε το κατάλληλο πάτημα και την ισορροπία σας.

Με αυτόν τον τρόπο μπορείτε να ελέγχετε καλύτερα το ηλεκτρικό εργαλείο σε μη αναμενόμενες καταστάσεις.

f) Να είστε ντυμένοι κατάλληλα. Μη φοράτε φαρδιά ρούχα ή κοσμήματα. Να κρατάτε τα μαλλιά σας, τα ρούχα σας και τα γάντια σας μακριά από κινούμενα μέρη.

Τα φαρδιά ρούχα, τα κοσμήματα και τα μακριά μαλλιά μπορεί να πιστούν σε κινούμενα μέρη.

g) Αν παρέχονται εξαρτήματα για τη σύνδεση συσκευών εξαγωγής και συλλογής σκόνης, να βεβαιώνετε ότι είναι συνδεδεμένα και χρησιμοποιούνται με το σωστό τρόπο.

Η χρήση συλλέκτη σκόνης μειώνει τους κινδύνους που προέρχονται από τη σκόνη.

4) Χρήση και φροντίδα ηλεκτρικών εργαλείων

a) Μην ασκείτε δύναμη στο ηλεκτρικό εργαλείο. Να χρησιμοποιείτε το ηλεκτρικό εργαλείο που είναι κατάλληλο για το είδος της εργασίας που εκτελείτε.

Το κατάλληλο ηλεκτρικό εργαλείο θα εκτελέσει την εργασία καλύτερα και με μεγαλύτερη ασφάλεια με τον τρόπο που σχεδιάστηκε.

b) Μην χρησιμοποιήσετε το ηλεκτρικό εργαλείο αν ο διακόπτης λειτουργίας δεν ανοίγει και δεν κλείνει.

Ένα ηλεκτρικό εργαλείο που δεν ελέγχεται από το διακόπτη λειτουργίας είναι επικίνδυνο και πρέπει να επισκευαστεί.

c) Αποσυνδέετε το ύψωμα από την πηγή ισχύος και/ή τη θήκη μπαταρίας από το ηλεκτρικό εργαλείο πριν προβείτε σε ρυθμίσεις, αλλαγή εξαρτήματος ή αποθήκευση του ηλεκτρικού εργαλείου.

Αυτά τα προληπτικά μέτρα ασφαλείας μειώνουν τον κίνδυνο να ξεκινήσει το ηλεκτρικό εργαλείο κατά λάθος.

d) Αποθηκεύετε τα εργαλεία που δεν χρησιμοποιείτε μακριά από παιδιά και μην αφήνετε τα άτομα που δεν είναι εξοικειωμένα με το ηλεκτρικό εργαλείο ή με αυτές τις οδηγίες να χρησιμοποιούν το ηλεκτρικό εργαλείο.

Τα ηλεκτρικά εργαλεία είναι επικίνδυνα στα χέρια μη εκπαιδευμένων ατόμων.

- e) Συντηρείτε τα ηλεκτρικά εργαλεία. Να ελέγχετε την ευθυγράμμιση τους ή το μπλοκάρισμα των κινούμενων μερών, τη θραύση των εξαρτημάτων και οποιαδήποτε άλλη κατάσταση που ενδέχεται να επηρεάσει τη λειτουργία του ηλεκτρικού εργαλείου.

Σε περίπτωση βλάβης, το ηλεκτρικό εργαλείο πρέπει να επισκευαστεί πριν χρησιμοποιηθεί.

Πολλά ατυχήματα προκαλούνται από ηλεκτρικά εργαλεία που δεν έχουν συντηρηθεί σωστά.

- f) Διατηρείτε τα εργαλεία κοπής κοφτερά και καθαρά.
Τα κατάλληλα συντηρημένα εργαλεία κοπής με κοφτερές γωνίες μπλοκάρουν πιο δύσκολα και ελέγχονται πιο εύκολα.
- g) Χρησιμοποιείτε το ηλεκτρικό εργαλείο, τα εξαρτήματα και τα μέρη κ.τ.λ. σύμφωνα με τις παρούσες οδηγίες, λαμβάνοντας υπόψη τις συνθήκες εργασίας και την εργασία που θα εκτελέσετε.
Η χρήση του ηλεκτρικού εργαλείου για εργασίες πέρα από εκείνες για τις οποίες προορίζεται, ενδέχεται να δημιουργήσει κινδύνους.

5) Σέρβις

- a) Να δίνετε το ηλεκτρικό εργαλείο για σέρβις σε κατάλληλα εκπαιδευμένα άτομα και να χρησιμοποιείτε μόνο γνήσια ανταλλακτικά.

Με αυτόν τον τρόπο είστε σίγουροι για την ασφάλεια του ηλεκτρικού εργαλείου.

ΠΡΟΦΥΛΑΞΗ

Μακριά από τα παιδιά και τους αναπήρους.

Όταν δεν χρησιμοποιούνται, τα εργαλεία πρέπει να φυλάσσονται μακριά από τα παιδιά και τους αναπήρους.

ΠΡΟΕΙΔΟΠΟΙΗΣΕΙΣ ΑΣΦΑΛΕΙΑΣ ΚΡΟΥΣΤΙΚΟΥ ΔΡΑΠΑΝΟΥ

- Φοράτε πάντα ωτοασπίδες κατά τη χρήση του δραπάνου.**
Έκθεση στον θόρυβο μπορεί να καλέσει απώλεια ακοής.
- Χρησιμοποιήστε τις βοηθητικές λαβές που επισυνάπτονται με τον εργαλείο.**
Απώλεια ελέγχου μπορεί να καλέσει τραυματισμό.
- Πριν το άνοιγμα τρύπας πάνω σε τοίχους, οροφές ή δάπεδα, βεβαιωθείτε ότι δεν υπάρχουν κρυμμένα μέσα ηλεκτρικά καλώδια.
- Χρησιμοποιείτε πάντα την πλευρική λαβή και κρατάτε το εργαλείο σταθερά και με τα δύο χέρια.
- Πάντοτε να χρησιμοποιείτε το κρουστικό δράπανο με περιστροφή προς τα δεξιά, όταν το χρησιμοποιείτε σαν κρουστικό δράπανο. (Εικ. 10)

ΤΕΧΝΙΚΑ ΧΑΡΑΚΤΗΡΙΣΤΙΚΑ

Τάση (ανά περιοχές)*		(110V, 220V, 230V, 240V) ~	
Ισχύς εισόδου		690 W*	
Αλλαγή ταχύτητας		1	2
Ταχύτητα χωρίς φορτίο	Εμπρόσθια περιστροφή	0 – 1000 min ⁻¹	0 – 3000 min ⁻¹
	Αντίστροφη περιστροφή	0 – 600 min ⁻¹	0 – 1800 min ⁻¹
Ικανότητα	Ατσάλι	13 mm	8 mm
	Τσιμέντο	18 mm	13 mm
	Ξύλο	40 mm	25 mm
Ταχύτητα κρούσης πλήρους φορτίου		8400 min ⁻¹	27300 min ⁻¹
Βάρος (χωρίς καλώδιο)		2,0 kg	

* Βεβαιωθείτε να ελέγξετε την πινακίδα στο προϊόν επειδή υπόκεινται σε αλλαγή σε εξάρτηση από την περιοχή.

ΚΑΝΟΝΙΚΑ ΕΞΑΡΤΗΜΑΤΑ

- (1) Κλειδί Σφικτήρα (Αποκλειστικά για συντονισμένο σφικτήρα) 1
 (2) Πλευρική λαβή 1
 (3) Μετρητής βάθους 1
 Τα κανονικά εξαρτήματα μπορούν να αλλάξουν χωρίς προειδοποίηση.

ΠΡΟΑΙΡΕΤΙΚΑ ΕΞΑΡΤΗΜΑΤΑ

(πωλούνται ξεχωριστά)

- (1) Λεπίδα Κρουστικού Δραπάνου (για τσιμέντο) 3,2 mm – 18 mm διαμ.
 Τα προαιρετικά εξαρτήματα υπόκεινται σε αλλαγή χωρίς προειδοποίηση.

ΕΦΑΡΜΟΓΕΣ

- Με τον συνδυασμό των δράσεων ΠΕΡΙΣΤΡΟΦΗ και ΚΡΟΥΣΗ:
Άνοιγμα τρύπας σε σκληρά υλικά (τσιμέντο, μάρμαρο, γρανίτη, πλακάκια, κλπ.)
- Με ΠΕΡΙΣΤΡΟΦΙΚΗ δράση:
Άνοιγμα τρυπών σε μέταλλο, ξύλο και πλαστικό.

ΠΡΙΝ ΤΗ ΛΕΙΤΟΥΡΓΙΑ

- Πηγή ρεύματος**
Βεβαιωθείτε ότι η πηγή ρεύματος που πρόκειται να χρησιμοποιηθεί είναι εναρμονισμένη με τις απαιτήσεις σε ρεύμα που αναφέρεται στην πινακίδα του εργαλείου.
- Διακόπτης ρεύματος**
Βεβαιωθείτε ότι ο διακόπτης ρεύματος βρίσκεται στη θέση OFF. Αν το βίσμα είναι στη μπρίζα καθώς ο διακόπτης ρεύματος βρίσκεται στο ON, το εργαλείο θα αρχίσει να λειτουργεί αμέσως, με πιθανότητα πρόκλησης σοβαρού ατυχήματος.

3. Καλώδιο προέκτασης

Όταν ο χώρος εργασίας βρίσκεται μακριά από την παροχή ρεύματος, χρησιμοποιήστε ένα καλώδιο προέκτασης με κατάλληλο πάχος και ικανότητα μεταφοράς ρεύματος. Το καλώδιο προέκτασης πρέπει να είναι τόσο κοντό όσο είναι πρακτικά δυνατό.

4. Επιλογή της κατάλληλης λεπίδας τρυπανιού

- Όταν τρυπάτε τσιμέντο ή πέτρα
- Χρησιμοποιήστε τις λεπίδες που περιγράφονται στα Προαιρετικά Εξαρτήματα.
- Όταν τρυπάτε ξύλο
- Χρησιμοποιήστε μια λεπίδα τρυπανιού κατάλληλη για ξύλο.
- Όμως, όταν ανοίγετε τρύπες 6.5 mm ή μικρότερες τρύπες, χρησιμοποιήστε μια λεπίδα τρυπανιού που είναι κατάλληλη για μέταλλο.

5. Σύνδεση και αποσύνδεση της λεπίδας

Για συντονισμένο σφικτήρα (Εικ. 1)

- (1) Ανοίξτε τις αρπάγες του σφικτήρα, και βάλτε μέσα τη λεπίδα στο σφικτήρα.
- (2) Τοποθετήστε το κλειδί του σφικτήρα μέσα σε κάθε μια από τις τρεις τρύπες του σφικτήρα και περιστρέψτε το προς τα δεξιά (όψη από την μπροστινή πλευρά). Σφίξτε με ασφάλεια.
- (3) Για να αφαιρέσετε τη λεπίδα, τοποθετήστε το κλειδί του σφικτήρα μέσα σε μια από τις τρύπες του σφικτήρα και περιστρέψτε το προς τα αριστερά.

Για σφικτήρες χωρίς κλειδί (Εικ. 2)

- (1) Στερέωση της λεπίδας
Στέψτε το βραχίονα προς τα αριστερά και ανοίξτε το σφικτήρα. Αφότου εισχωρήσετε την λεπίδα του τρυπανιού μέσα στον σφικτήρα όσο μέσα μπορεί να πάει, πιάστε το δακτύλιο συγκράτησης και κλείστε το σφικτήρα περιστρέφοντας τον βραχίονα προς τα δεξιά όπως φαίνεται από εμπρός.
- (2) Αποσυναρμολόγηση της λεπίδας
Πιάστε τον δακτύλιο συγκράτησης και ανοίξτε τον σφικτήρα περιστρέφοντας τον βραχίονα προς τα αριστερά.

ΣΗΜΕΙΩΣΗ

Όταν ο σφικτήρας δεν χαλαρώνει περισσότερο, στερεώστε την πλευρική λαβή στον δακτύλιο, συγκράτησης κρατήστε την πλευρική λαβή γερά, μετά περιστρέψτε τον βραχίονα για να ξεσφίξει με το χέρι. (Εικ. 3)

6. Ελέγξτε την περιστροφική διεύθυνση (Εικ. 4)

Η λεπίδα περιστρέφεται προς τα δεξιά (όψη από την πίσω πλευρά) πατώντας την R-πλευρά του κουμπιού. Η L-πλευρά του κουμπιού πατιέται για να περιστραφεί η λεπίδα προς τα αριστερά. (Τα σημάδια (L) και (R) παρέχονται πάνω στο σώμα.)

ΠΡΟΣΟΧΗ

Πάντοτε να χρησιμοποιείτε το κρουστικό δράπανο με περιστροφή προς τα δεξιά, όταν το χρησιμοποιείτε σαν κρουστικό δράπανο.

7. Στερέωση της πλευρικής λαβής (Εικ. 5)

Συνδέστε την πλευρική λαβή στο τμήμα στερέωσης. Περιστρέψτε το χερούλι της πλευρικής λαβής προς τα δεξιά για να το ασφαλίσετε. Τοποθετήστε την πλευρική λαβή σε τέτοια θέση έτσι ώστε να είναι κατάλληλη για λειτουργία και μετά σφίξτε γερά το χερούλι της πλευρικής λαβής. Για συνδέσετε το μετρητή βάθους στην πλευρική

λαβή, βάλτε τον μετρητή μέσα στην αυλάκωση της πλευρικής λαβής που έχει σχήμα U, ρυθμίστε την θέση του μετρητή βάθους σύμφωνα με το επιθυμητό βάθος της τρύπας, και γερά σφίξτε το χερούλι της πλευρικής λαβής. (Εικ. 6)

8. Αλλαγή από την ΚΡΟΥΣΗ στη ΠΕΡΙΣΤΡΟΦΗ (Εικ. 7)

Μετακινήστε το μοχλό αλλαγής μεταξύ των αριστερών και δεξιών θέσεων για την εύκολη αλλαγή μεταξύ IMPACT (περιστροφή και κρούση) και ROTATION (περιστροφή μόνο), αντίστοιχα.

Για την διάνοιξη τρυπών σε σκληρά υλικά όπως τσιμέντο, πέτρα και πλακάκια, μετακινήστε τον μοχλό αλλαγής στην δεξιά θέση (όπως υποδεικνύεται με το **T** σημάδι). Η λεπίδα τρυπανιού λειτουργεί με το συνδυασμό των δράσεων της κρούσης και της περιστροφής.

Για την διάνοιξη τρυπών σε μέταλλο, ξύλο και πλαστικό, μετακινήστε τον μοχλό στην αριστερή θέση (όπως υποδεικνύεται με το **R** σημάδι). Η λεπίδα τρυπανιού λειτουργεί με την περιστροφική δράση μόνο, όπως στην περίπτωση του συμβατικού ηλεκτρικού τρυπανιού.

ΠΡΟΣΟΧΗ

- Μην χρησιμοποιήσετε το Κρουστικό Δράπανο στη λειτουργία ΚΡΟΥΣΗ αν το υλικό μπορεί να τρυπηθεί μόνο με την περιστροφή. Τέτοια ενέργεια όχι μόνο θα ελαττώσει την αποδοτικότητα του τρυπανιού, αλλά επίσης θα προκαλέσει ζημιά στην άκρη της λεπίδας.

- Η χρήση του Κρουστικού Δραπάνου με τον μοχλό αλλαγής στην ενδιάμεση θέση μπορεί να προκαλέσει ζημιά. Κατά την αλλαγή, σιγουρευτείτε ότι μετακινείτε τον μοχλό αλλαγής στην σωστή θέση.

9. Αλλαγή από Υψηλή ταχύτητα σε Χαμηλή ταχύτητα

Πριν την αλλαγή της ταχύτητας, εξασφαλίστε ότι ο διακόπτης είναι στην κλειστή θέση OFF, και ότι το τρυπάνι είναι εντελώς σταματημένο.

Για να αλλάξετε ταχύτητα, περιστρέψτε το καντράν αλλαγής ταχύτητας όπως υποδεικνύεται από το βέλος στην **Εικ. 8**. Ο αριθμός "1" που είναι σκαλισμένος στο κορμό του τρυπανιού δείχνει την χαμηλή ταχύτητα, ο αριθμός "2" δείχνει την υψηλή ταχύτητα.

Σε περίπτωση που είναι δύσκολο να γυρίσετε το καντράν αλλαγής ταχύτητας, γυρίστε το σφικτήρα ελαφρά προς οποιαδήποτε κατεύθυνση και κατόπιν ξανά το καντράν αλλαγής ταχύτητας.

ΠΩΣ ΝΑ ΤΟ ΧΡΗΣΙΜΟΠΟΙΗΣΕΤΕ

1. Λειτουργία διακόπτη

- Όταν η σκανδάλη είναι χαμηλωμένη, το εργαλείο περιστρέφεται.

Όταν η σκανδάλη ελευθερωθεί το εργαλείο σταματά.

- Η ταχύτητα περιστροφής του δραπάνου μπορεί να ελεγχθεί από το κατά πόσο τραβιέται η σκανδάλη διακόπτης. Η ταχύτητα είναι χαμηλή όταν η σκανδάλη διακόπτης τραβηχθεί ελαφρά και αυξάνει καθώς η σκανδάλη διακόπτης τραβιέται περισσότερο.

- Η επιθυμητή ταχύτητα περιστροφής μπορεί να επιλεχτεί εκ των προτέρων με το καντράν ελέγχου ταχύτητας.

Γυρίστε το καντράν ελέγχου ταχύτητας δεξιόστροφα για την υψηλότερη ταχύτητα και αριστερόστροφα για τη χαμηλότερη ταχύτητα. (Εικ. 9)

- Το τράβηγμα της σκανδάλης και το σπρώξιμο του στόπερ, διατηρεί την κατάσταση λειτουργίας, η οποία είναι βολική για συνεχή λειτουργία. Κατά το σβήσιμο, το στόπερ μπορεί να αποσυνδεθεί τραβώντας τη σκανδάλη ξανά.

ΠΡΟΣΟΧΗ

- Σε περίπτωση που η αριστερή πλευρά του κουμπιού ώθησης είναι πατημένη για αντίστροφη περιστροφή τεμαχιδίων, δεν μπορεί να χρησιμοποιηθεί ο κόφτης.
- 2. Τρύπημα**
 - Κατά το τρύπημα, αρχίστε να τρυπάτε αργά, και προοδευτικά αυξήστε την ταχύτητα καθώς τρυπάτε.
 - Πάντοτε να εφαρμόζετε πίεση σε ευθεία γραμμή με την λεπίδα. Χρησιμοποιήστε αρκετή δύναμη για να συνεχίσετε να τρυπάτε, αλλά όμως μην σπρώξετε πάρα πολύ τόσο ώστε να μπλοκάρει το μοτέρ ή να αποκλίνει η λεπίδα.
 - Για να ελαχιστοποιήσετε το μπλοκάρισμα ή να διαπεράσετε το υλικό, ελαττώστε την πίεση στο δρέπανο και στη λεπίδα κατά το τελευταίο τμήμα της τρύπας.
 - Αν το δρέπανο μπλοκάρει, ελευθερώσετε τη σκανδάλη αμέσως, αφαιρέστε τη λεπίδα από το αντικείμενο εργασίας και ξεκινήστε ξανά. Μην ενεργοποιείτε και απενεργοποιείτε τη σκανδάλη σε μια προσπάθεια να ξεκινήσετε ένα μπλοκαρισμένο δρέπανο.
 - Όσο μεγαλύτερη είναι η διάμετρος της λεπίδας του δρεπάνου, τόσο μεγαλύτερη είναι και η δύναμη αντίδρασης πάνω στο χέρι σας. Προσέξτε να μην χάσετε τον έλεγχο του δρεπάνου εξαιτίας αυτής της δύναμης αντίδρασης. Για να κρατήσετε τον απόλυτο έλεγχο, διατηρείτε ένα καλό πάτημα, χρησιμοποιήστε την πλευρική λαβή, κρατήστε το δρέπανο σφικτά με τα δυο χέρια και βεβαιωθείτε ότι το δρέπανο είναι κάθετο ως προς το υλικό το οποίο πρόκειται να τρυπηθεί.

ΣΥΝΤΗΡΗΣΗ ΚΑΙ ΕΛΕΓΧΟΣ

- 1. Έλεγχος των λεπίδων του δρεπάνου**
Επειδή η χρήση των φθαρμένων λεπίδων θα προκαλέσει την δυσλειτουργία του μοτέρ και την μειωμένη αποδοτικότητα, αντικαταστήστε τις λεπίδες του δρεπάνου με καινούργιες ή ακονίστε τις χωρίς καθυστέρηση όταν παρατηρηθεί η φθορά.
- 2. Έλεγχος των διδών στερέωσης**
Ελέγχετε περιοδικά όλες τις βίδες στερέωσης και βεβαιωθείτε ότι είναι κατάλληλα σφικμένες. Στην περίπτωση που χαλαρώσει οποιαδήποτε βίδα σφίξτε την ξανά αμέσως. Αν δεν το κάνετε αυτό μπορεί να έχει ως αποτέλεσμα το σοβαρό τραυματισμό.
- 3. Συντήρηση του μοτέρ**
Η περιέλιξη της μονάδα του μοτέρ είναι η καρδιά του ηλεκτρικού εργαλείου. Δώστε μεγάλη προσοχή για να σιγουρευτείτε ότι η περιέλιξη δεν θα πάθει ζημιά και / ή θα βρεχθεί με λάδι ή νερό.
- 4. Έλεγχος στα καρβουνάκια**
Για την συνεχιζόμενη ασφάλεια σας και την προστασία σας από την ηλεκτροπληξία, ο έλεγχος στα καρβουνάκια και η αντικατάσταση αυτού του εργαλείου πρέπει ΜΟΝΟ να γίνεται από ένα Εξουσιοδοτημένο Κέντρο Σέρβις της Hitachi.

5. Λίστα συντήρησης των μερών

- A: Αρ. Αντικειμένου
B: Αρ. Κωδικού
C: Αρ. που χρησιμοποιήθηκε
D: Παρατηρήσεις

ΠΡΟΣΟΧΗ

Η επισκευή η τροποποίηση και ο έλεγχος των Ηλεκτρικών Εργαλείων Hitachi πρέπει να γίνεται από ένα Εξουσιοδοτημένο κέντρο σέρβις της Hitachi. Αυτή η Λίστα των Μερών θα είναι χρησιμότητα αν παρουσιαστεί μαζί με το εργαλείο στο Εξουσιοδοτημένο Κέντρο Σέρβις της Hitachi όταν ζητάτε επισκευή ή κάποια άλλη συντήρηση. Κατά τον έλεγχο και τη συντήρηση των ηλεκτρικών εργαλείων, οι κανόνες ασφαλείας και οι κανονισμοί που υπάρχουν σε κάθε χώρα πρέπει να ακολουθούνται.

ΤΡΟΠΟΠΟΙΗΣΗ

Τα Ηλεκτρικά Εργαλεία Hitachi βελετιώνονται συνεχώς και τροποποιούνται για να συμπεριλάβουν τις τελευταίες τεχνολογικές προόδους. Κατά συνέπεια, ορισμένα τμήματα (δηλ. κωδικό αριθμού και / ή σχεδιασμός) μπορούν να αλλάξουν χωρίς προηγούμενη ειδοποίηση.

ΕΓΓΥΗΣΗ

Εγγυώμαστε τα εργαλεία Hitachi Power Tools σύμφωνα με τη νομοθεσία και τους κανονισμούς ανά χώρα. Η παρούσα εγγύηση δεν καλύπτει ελαττώματα ή ζημιές λόγω κακής χρήσης, κακοποίησης ή φυσιολογικής φθοράς. Σε περίπτωση παραπόνων παρακαλούμε αποστείλετε το Power Tool χωρίς να το αποσυρμολογήσετε μαζί με το ΠΙΣΤΟΠΟΙΗΤΙΚΟ ΕΓΓΥΗΣΗΣ το οποίο βρίσκεται στο τέλος των οδηγιών αυτών, σε Εξουσιοδοτημένο Κέντρο Επισκευής της Hitachi.

ΣΗΜΕΙΩΣΗ

Εξαιτίας του συνεχιζόμενου προγράμματος έρευνας και ανάπτυξης της Hitachi τα τεχνικά χαρακτηριστικά που εδώ αναφέρονται μπορούν να αλλάξουν χωρίς προηγούμενη ειδοποίηση.

Πληροφορίες που αφορούν τον εκπεμπόμενο θόρυβο και τη δόνηση

Οι τιμές μετρήθηκαν σύμφωνα με το EN60745 και βρέθηκαν σύμφωνες με το ISO 4871.

Μετρηθείσα τυπική στάθμη ηχητικής ισχύος A: 110 dB (A)
Μετρηθείσα τυπική στάθμη ηχητικής πίεσης A: 99 dB (A)
Αβεβαιότητα ΚρA: 3 dB (A)

Φοράτε προστατευτικά αυτιών.

Συνολικές τιμές δόνησης (διανυσματικό άθροισμα τριαξονικού καλωδίου) που καθορίζονται σύμφωνα με το πρότυπο EN60745.

Λεπτομέρειες χρήσης κρουστικού δρεπάνου:
Τιμή εκπομπής δόνησης **ah, ID** = 16,0 m/s²
Αβεβαιότητα K = 1,8 m/s²

ΠΡΟΣΟΧΗ

- Η τιμή εκπομπής δόνησης κατά την ουσιαστική χρήση του ηλεκτρικού εργαλείου μπορεί να διαφέρει από τη δηλωμένη τιμή, ανάλογα με το που και πως χρησιμοποιείται το εργαλείο.
- Για να αναγνωρίσετε τα μέτρα ασφαλείας για την προστασία του χειριστή που βασίζονται σε μία εκτίμηση της έκθεσης στις πραγματικές συνθήκες χρήσης (λαμβάνοντας υπόψη όλα τα μέρη του κύκλου λειτουργίας όπως τα διαστήματα που το εργαλείο είναι απενεργοποιημένο και όταν λειτουργεί στο ρελαντί μαζί με το χρόνο διεγερσης).

OGÓLNE WSKAZÓWKI BEZPIECZEŃSTWA DOTYCZĄCE URZĄDZEŃ ELEKTRYCZNYCH

⚠ OSTRZEŻENIE

Należy dokładnie zapoznać się ze wszystkimi ostrzeżeniami i wskazówkami bezpieczeństwa.

Nieprzestrzeganie ostrzeżeń oraz wskazówek bezpieczeństwa może spowodować porażenie prądem elektrycznym, pożar i/lub odniesienie poważnych obrażeń.

Ostrzeżenia i wskazówki bezpieczeństwa powinny być przechowywane do użycia w przyszłości.

Wykorzystywane w treści wskazówek wyrażenie "narzędzie elektryczne" dotyczy narzędzi zasilanych z sieci (przewodowych) lub z baterii (bezprowadowych).

1) Bezpieczeństwo stanowiska pracy

a) Miejsce pracy powinno być czyste i dobrze oświetlone.

Brak porządku lub nieodpowiednie oświetlenie miejsca pracy może być przyczyną wypadku.

b) Nie należy używać narzędzi elektrycznych w miejscach zagrożonych wybuchem, na przykład w pobliżu łatwopalnych cieczy, gazów lub pyłów.

Pracujące narzędzie elektryczne wytwarza iskry grożące wybuchem.

c) Dzieci oraz osoby postronne powinny pozostawać w bezpiecznej odległości od pracującego urządzenia.

Dekoncentracja może spowodować utratę kontroli nad urządzeniem.

2) Bezpieczeństwo elektryczne

a) Wtyczka narzędzia musi pasować do gniazda zasilania.

Nie wolno przerabiać wtyczki.

Narzędzia posiadające uzziemienie nie powinny być używane z wtyczkami przejściowymi.

Przestrzeganie powyższych zaleceń dotyczących wtyczek i gniazdek pozwoli zmniejszyć ryzyko porażenia prądem elektrycznym.

b) Należy unikać dotykania jakichkolwiek powierzchni i elementów uzziemionych, takich jak rury, grzejniki, kuchenki lub urządzenia chłodnicze.

Ryzyko porażenia prądem elektrycznym jest wyższe, gdy ciało jest uzziemione.

c) Nie należy narażać narzędzi elektrycznych na działanie deszczu lub wilgoci.

Obecność wody zwiększa niebezpieczeństwo porażenia prądem elektrycznym.

d) Nie należy używać przewodu zasilającego w sposób niezgodny z przeznaczeniem. Nie wolno używać przewodu do przenoszenia lub ciągnięcia urządzenia bądź wyłączania go z prądu.

Przewód powinien znajdować się w bezpiecznej odległości od źródeł ciepła, oleju, ostrych krawędzi lub poruszających się części.

Uszkodzenie lub zapętlenie przewodu zwiększa ryzyko porażenia prądem elektrycznym.

e) W przypadku używania narzędzia elektrycznego na wolnym powietrzu należy korzystać z przedłużaczy przeznaczonych do takiego zastosowania.

Używanie odpowiednich przedłużaczy zmniejsza ryzyko porażenia prądem elektrycznym.

f) W przypadku korzystania z narzędzia w miejscu o dużej wilgotności należy zawsze używać wyłącznika różnicowoprądowego.

Korzystanie z takiego wyłącznika zmniejsza ryzyko porażenia prądem elektrycznym.

3) Bezpieczeństwo osobiste

a) Podczas korzystania z narzędzia elektrycznego należy zawsze koncentrować się na wykonywanej pracy i postępować zgodnie z zasadami zdrowego rozsądku. Narzędzia elektryczne nie powinny być obsługiwane przez osoby zmęczone lub znajdujące się pod wpływem substancji odurzających, alkoholu bądź leków.

Chwila nieuwagi podczas obsługi narzędzia elektrycznego może spowodować odniesienie poważnych obrażeń.

b) Zawsze używać odpowiedniego osobistego wyposażenia ochronnego. Zawsze nosić odpowiednie okulary ochronne.

Stosowane w odpowiednich warunkach wyposażenie zabezpieczające, takie jak maska przeciwpyłowa, obuwie antypoślizgowe, kask lub nauszniki zmniejsza ryzyko odniesienia obrażeń ciała.

c) Uniemożliwić nieoczekiwane uruchomienie narzędzia. Przed podłączeniem narzędzia do gniazda zasilania i/lub zestawu baterii, a także przed podniesieniem lub przeniesieniem go, należy upewnić się, że wyłącznik znajduje się w położeniu wyłączenia.

Ze względów bezpieczeństwa nie należy przynosić narzędzi elektrycznych, trzymając palec na wyłączniku, ani podłączać do zasilania urządzeń, których wyłącznik znajduje się w położeniu włączenia.

d) Przed włączeniem usunąć wszystkie klucze regulacyjne.

Pozostawienie klucza regulacyjnego połączonego z częścią obrotową narzędzia może spowodować odniesienie obrażeń.

e) Nie sięgać zbyt daleko. Należy zawsze stać stabilnie, zachowując równowagę.

Zapewnia to lepsze panowanie nad narzędziem w nieoczekiwanych sytuacjach.

f) Należy nosić odpowiednią odzież roboczą. Nie nosić luźnych ubrań lub biżuterii. Trzymać włosy, odzież i rękawice w bezpiecznej odległości od ruchomych części urządzenia.

Luźne ubrania, biżuteria lub długie włosy mogą zostać wciągnięte przez ruchome części narzędzia.

g) Jeżeli wraz z narzędziem dostarczone zostało wyposażenie służące do odprowadzania pyłów, należy pamiętać o jego właściwym podłączeniu i używaniu.

Właściwe zbieranie i odprowadzanie pyłu zmniejsza zagrożenia związane z jego obecnością.

4) Obsługa i konserwacja narzędzi elektrycznych

a) Nie używać narzędzia elektrycznego ze zbyt dużą siłą. Należy stosować narzędzie odpowiednie dla wykonywanej pracy.

Narzędzie przeznaczone do określonej pracy wykona ją lepiej i w sposób bardziej bezpieczny, pracując z zalecaną prędkością.

b) Nie należy używać narzędzia, którego wyłącznik jest uszkodzony.

Każde urządzenie, które nie może być właściwie włączane i wyłączane, stanowi zagrożenie i musi zostać naprawione.

c) Należy zawsze odłączyć urządzenie z sieci zasilania i/lub baterii przed przystąpieniem do jakichkolwiek modyfikacji, wymiany akcesoriów itp. oraz kiedy urządzenie nie będzie używane przez dłuższy czas.

Powyższe środki mają na celu wyeliminowanie ryzyka nieoczekiwanego uruchomienia urządzenia.

d) Nieużywane narzędzia elektryczne powinny być przechowywane w miejscu niedostępnym dla dzieci oraz osób, które nie znają zasad ich obsługi lub niniejszych zaleceń.

Korzystanie z narzędzi elektrycznych przez osoby, które nie zostały przeszkolone, może stanowić zagrożenie.

e) Należy dbać o odpowiednią konserwację narzędzi elektrycznych. Przed rozpoczęciem pracy należy sprawdzić, czy ruchome części urządzenia nie są wygięte, uszkodzone lub pęknięte i czy nie występują jakiegokolwiek inne okoliczności, które mogłyby uniemożliwić bezpieczną pracę urządzenia.

W razie uszkodzenia przed kolejnym użyciem narzędzie musi zostać naprawione.

Wiele wypadków następuje z powodu nieprawidłowej konserwacji narzędzi elektrycznych.

- f) **Narzędzia tnące powinny być zawsze ostre i czyste.**
Narzędzia tnące powinny być utrzymywane w odpowiednim stanie, a ich krawędzie muszą być odpowiednio ostre - zmniejsza to ryzyko wygięcia i ułatwia obsługę narzędzia.
- g) **Należy zawsze obsługiwać narzędzie, jego akcesoria takie jak wiertła itp. w sposób zgodny z zaleceniami niniejszej instrukcji, biorąc pod uwagę warunki robocze oraz rodzaj wykonywanej pracy.**
Używanie narzędzia do celów niezgodnych z jego przeznaczeniem może spowodować niebezpieczeństwo.

5) Serwis

- a) **Narzędzia elektryczne mogą być naprawiane wyłącznie przez uprawnionych techników serwisowych, przy zastosowaniu oryginalnych części zamiennych.**
Zapewnia to utrzymanie bezpieczeństwa obsługi urządzenia.

UWAGA

Dzieci i osoby niepełnosprawne muszą pozostawać w bezpiecznej odległości od narzędzia.

Nie używane narzędzia elektryczne powinny być przechowywane w miejscu niedostępnym dla dzieci i osób niepełnosprawnych.

DANE TECHNICZNE

Napięcie (w zależności od miejsca)*		(110V, 220V, 230V, 240V) ~	
Moc pobierana		690 W*	
Zmiana prędkości		1	2
Prędkość bez obciążenia	Obroty zgodnie z ruchem wsk. zeg	0 – 1000 min ⁻¹	0 – 3000 min ⁻¹
	Obroty w kier. przeciwnym	0 – 600 min ⁻¹	0 – 1800 min ⁻¹
Wydajność	Stal	13 mm	8 mm
	Beton	18 mm	13 mm
	Drewno	40 mm	25 mm
Częstotliwość uderzeń przy pełnym obciążeniu		8400 min ⁻¹	27300 min ⁻¹
Waga (bez kabla)		2,0 kg	

*Sprawdź nazwę produktu, jako że ulega ona zmianie w zależności od miejsca zakupu.

WYPOSAŻENIE STANDARDOWE

- (1) Klucz do uchwyty wiertarskiego (tylko dla uchwyty z kluczem) 1
- (2) Uchwyt boczny 1
- (3) Ogranicznik głębokości 1
- Wypożyczenie standardowe może ulec zmianie bez uprzedzenia.

WYPOSAŻENIE DODATKOWE (sprzedawane oddzielnie)

- (1) Wiertło udarowe (do betonu)
średn. 3,2 mm – 18 mm
- Wypożyczenie dodatkowe może ulec zmianie bez uprzedzenia.

WSKAZÓWKI DOTYCZĄCE BEZPIECZNEGO UŻYTKOWANIA WIERTARKI UDAROWEJ

- Podczas pracy z wiertarką udarową należy nosić słuchawki ochronne.**
Wysoki poziom hałasu może powodować utratę słuchu.
- Korzystaj z uchwytów pomocniczych dostarczanych wraz z urządzeniem.**
Utrata kontroli nad urządzeniem może spowodować obrażenia ciała.
- Przed wierceniem w ścianach, sufitach czy podłogach upewnij się, że nie ma w nich żadnych kabli elektrycznych.
- Zawsze używaj uchwytu bocznego i trzymaj narzędzie mocno obiema rękami.
- Zawsze przy używaniu młotowiertarki z włączoną funkcją obracania i udaru kierunek obrotów musi być zgodny z ruchem wskazówek zegara. **(Rys. 10)**

ZASTOSOWANIE

- Jednoczesne używanie funkcji OBROTY i UDERZENIA: Wiercenie otworów w twardych materiałach (beton, marmur, granit, płytki, itp.)
- Funkcja OBROTY: Wiercenie otworów w metalu, drewnie, tworzywach sztucznych.

PRZED UŻYCIEM

- Źródło mocy**
Upewnij się, że źródło mocy jest zgodne z wymogami mocy zaznaczonymi przy nazwie produktu.
- Przełącznik**
Upewnij się, że przełącznik jest wyłączony (pozycja OFF). Jeśli wtyczka jest włączona do prądu gdy przełącznik jest włączony (pozycja ON), narzędzie zacznie działać natychmiast, co może spowodować poważny wypadek.

3. Przedłużacz

Kiedy miejsce pracy znajduje się daleko od źródła prądu, użyj przedłużacza o wystarczającym przekroju. Przedłużacz powinien być tak krótki, jak tylko jest to możliwe i wartości znamionowej.

4. Wybór odpowiedniego wiertła

- Do wiercenia w betonie lub kamieniu
Używaj wiertel wymienionych w Wyposażeniu dodatkowym.
- Do wiercenia w metalu lub plastiku
Używaj normalnych wiertel do metalu.
- Do wiercenia w drewnie
Używaj normalnych wiertel do drewna.
Przy wierceniu otworów mniejszych, niż 6,5 mm, używaj jednak wiertel do metalu.

5. Mocowanie i wyjmowanie wiertła.

Uchwyt z kluczem (Rys. 1)

- (1) Otwórz szczękę uchwytu i włóż wiertło do uchwytu.
- (2) Włóż klucz uchwytu do każdego z trzech otworów uchwytu i obracając kluczem zgodnie z ruchem wskazówek zegara (patrząc od przodu) zamocuj wiertło.
- (3) By wyjąć wiertło, włóż klucz do jednego z otworów w uchwycie i obróć klucz w kierunku przeciwnym do ruchu wskazówek zegara.

Uchwyt bez klucza (Rys. 2)

- (1) Montowanie wiertła
Obróć tuleję w kierunku zgodnym z ruchem wskazówek zegara otwierając uchwyt. Włóż wiertło tak głęboko, jak to możliwe, a następnie schwyć za pierścień ustalający i obracając tuleję w kierunku zgodnym z ruchem wskazówek zegara (patrząc z przodu) zamknij uchwyt.
- (2) Wyjmowanie wiertła
Trzymając pierścień ustalający i obracając tuleję w kierunku przeciwnym do ruchu wskazówek zegara otwórz uchwyt.

UWAGA

Gdy tuleja nie daje się już dalej poluzować, należy zainstalować na pierścieniu uchwyt boczny i trzymając go mocno obrócić tuleję luzując ją ręcznie. (Rys. 3)

6. Sprawdzanie kierunku obrotów (Rys. 4)

Wiertło obraca się w kierunku zgodnym z ruchem wskazówek zegara (patrząc od tyłu) po wciśnięciu przycisku ze strony oznaczonej literą R. Wciśnięcie przycisku ze strony oznaczonej literą L służy do włączania obrotów w kierunku przeciwnym do ruchu wskazówek zegara.
(Literey (L) i (R) są umieszczone na obudowie narzędzia.)

UWAGA

Przy pracy z włączoną funkcją obracania i udaru należy używać tylko kierunku zgodnego z ruchem wskazówek zegara.

7. Mocowanie uchwytu bocznego (Rys. 5)

Załóż uchwyt boczny na część montażową. Obróć rączkę uchwytu bocznego w kierunku zgodnym z ruchem wskazówek zegara zaciskając uchwyt. Najpierw wybierz takie ustawienie uchwytu bocznego, by móc wygodnie używać młotowiertarki, dopiero wtedy zaciśnij uchwyt.

By założyć ogranicznik głębokości na uchwycie bocznym włóż ogranicznik w rowek w kształcie litery U na uchwycie bocznym, wybierz położenie ogranicznika odpowiadające pożądanej głębokości otworu i dokręć mocno rączkę uchwytu bocznego. (Rys. 6)

8. Przelączanie z funkcji UDERZENIA na OBROTY (Rys. 7)

Zmieniając położenie dźwigni przełącznika – w lewo lub w prawo – można łatwo przełączyć tryb pracy młotowiertarki z funkcji, odpowiednio, UDERZENIA (obrotowo-udarowa) na OBROTY (tylko obrotowa). By wiercić otwory w takich twardych materiałach jak beton, kamień czy płytki dźwignię należy przełączyć w prawo (strona jest oznaczona symbolem **T**). Wiertło będzie zarówno się obracać, jak i uderzać. Wiercić otwory w metalu, drewnie i plastiku należy dźwignię przełączyć w lewo (strona oznaczona symbolem **L**). Wiertło będzie się jedynie obracać – jak w przypadku zwykłej wiertarki elektrycznej.

UWAGA

- Nie używaj funkcji UDERZENIA, jeżeli w danym materiale można wiercić otwory przy użyciu tylko funkcji obrotowej. Nie tylko zmniejszyłoby to skuteczność wiercenia, ale także mogłoby doprowadzić do uszkodzenia wiertła.
- Włączenie młotowiertarki przy dźwigni zmiany funkcji ustawionej pomiędzy funkcjami Obrotu i Uderzenia może doprowadzić do jej zniszczenia. Przy przełączeniu dźwigni upewnij się, że jest ona w jednym z dwóch prawidłowych ustawień.

9. Zmiana prędkości pracy–Wysoka/Niska:

Przed zmianą prędkości pracy młotowiertarki upewnij się, że przełącznik jest w pozycji OFF i że wiertło przestało się poruszać.

By zmienić prędkość, należy obrócić pokrętkę przełożenia zgodnie ze strzałką – jak to pokazano na Rys. 8. Cyfra "1" na obudowie młotowiertarki oznacza niską prędkość, cyfra "2" – wysoką.

Jeżeli pokrętkę zmiany prędkości stawia opór, obróć nieco uchwyt w dowolnym kierunku i spróbuj ponownie obrócić pokrętkę.

JAK UŻYWAĆ MŁOTOWIERTARKI

1. Włączenie

- Gdy spust jest wciśnięty, to narzędzie pracuje. Gdy spust zostanie zwolniony, narzędzie się zatrzyma.
- Prędkością obrotową wiertła można sterować różnicując stopień wciśnięcia spustu. Prędkość jest mniejsza, gdy spust jest wciśnięty tylko trochę i wzrasta przy dalszym jego wciskaniu.
- Pożądaną prędkość obrotów można ustawić wcześniej pokrętką kontroli prędkości.
By zwiększyć prędkość obrotów obróć pokrętkę kontroli prędkości w kierunku zgodnym z ruchem wskazówek zegara, by prędkość zmniejszyć – w kierunku odwrotnym. (Rys. 9)
- Wciśnięcie zatyczki po wciśnięciu spustu włącza narzędzie w tryb pracy, co jest przydatne przy pracy ciągłej. Aby wyłączyć zatyczkę, należy ponownie wcisnąć spust.

UWAGA

Jeżeli w celu uruchomienia narzędzia w kierunku odwrotnym do ruchu wskazówek zegara wciśnięty zostanie przycisk po stronie oznaczonej literą L, to używanie zatyczki jest niemożliwe.

2. Wiercenie

- Podczas wiercenia uruchamiaj narzędzie powoli i stopniowo zwiększaj prędkość obrotów.

- Młotowiertarkę dociskaj zawsze w kierunku wyznaczonym przez oś wiertła. Dociskaj narzędzie tylko na tyle, by końcówka wiertła mogła pobierać nowy materiał, nie dociskaj młotowiertarki zbyt mocno – możesz przeciążyć silnik i zatrzymać go lub wygiąć wiertło.
- By zminimalizować ryzyko unieruchomienia wiertła w otworze i przebijania się przez wiercony materiał pod koniec wiercenia otworu zmniejsz nacisk i pozwól, by wiertło popracowało pod mniejszym obciążeniem.
- Jeżeli wiertło utknie w otworze, natychmiast zwolnij spust i wyjmij wiertło z otworu – dopiero wtedy możesz ponownie uruchomić narzędzie i powrócić do wiercenia. Nie próbuj uruchomić młotowiertarki wielokrotnie naciskając i zwalniasz spust. Może to doprowadzić do jej uszkodzenia.
- Im większa średnica wiertła, z tym większą siłą młotowiertarka napiera na Twoje ramię. Używaj więc młotowiertarki ostrożnie, by nie ulec tej sile reakcji i nie utracić nad nią kontroli. By zachować pełnię kontroli nad młotowiertarką podczas pracy należy pewnie stać na ziemi, używać uchyty bocznej, trzymać narzędzie mocno obiema rękami i upewnić się, że wiertło jest prostopadłe do powierzchni nawiercanego materiału.

KONSERWACJE I PRZEGLĄDY

1. Kontrola wiertel

Jako, że używanie tępych wiertel powoduje niewłaściwą pracę silnika i zmniejsza wydajność młotowiertarki, po zauważeniu, że wiertło się stepiło niezwłocznie wymień je na nowe lub naostrz.

2. Kontrola śrub mocujących

Regularnie sprawdzaj, czy wszystkie śruby mocujące są dokręcone. Jeżeli jakkolwiek z nich się poluzowała, to natychmiast ją dokręć. W innym razie mogłoby to doprowadzić do poważnego wypadku.

3. Konserwacja silnika

Wirnik silnika jest sercem tego urządzenia elektrycznego. Zadbaj, by wirnik nie został uszkodzony i/lub nie zawilgotniał lub nie pokrył się olejem.

4. Kontrola szczotek węglowych

By praca z narzędziem zawsze była bezpieczna i aby uniknąć ryzyka porażenia prądem, węglowe szczoteczki tego narzędzia powinny być sprawdzane i wymieniane TYLKO przez Autoryzowane Centrum Obsługi Hitachi.

5. Lista części zamiennych

- A: Nr części
- B: Nr kodu
- C: Ilość użytych części
- D: Uwagi

UWAGA

Naprawy, modyfikacji i kontroli Narzędzi Elektrycznych Hitachi może dokonywać tylko Autoryzowane Centrum Obsługi Hitachi.

Ta lista części będzie przydatna, jeśli zostanie wręczona Autoryzowanemu Centrum Obsługi Hitachi, gdy zanieśmy narzędzie do naprawy lub przeglądu.

Podczas używania i konserwacji narzędzi elektrycznych należy przestrzegać przepisów i norm bezpieczeństwa danego kraju.

MODYFIKACJE

Narzędzia elektryczne Hitachi są ciągle ulepszone i modyfikowane w celu wprowadzania najnowszych osiągnięć nauki i techniki.

W związku z tym pewne części (a także numery kodów i konstrukcja) mogą ulec zmianom bez uprzedzenia.

GWARANCJA

Gwarancja na elektronarzędzia Hitachi jest udzielana z uwzględnieniem praw statutowych i przepisów krajowych. Gwarancja nie obejmuje wad i uszkodzeń powstałych w wyniku niewłaściwego użytkowania lub wynikających z normalnego zużycia. W wypadku reklamacji należy dostarczyć kompletne elektronarzędzie do autoryzowanego centrum serwisowego Hitachi wraz z KARTĄ GWARANCYJNĄ znajdującą się na końcu instrukcji obsługi.

UWAGA

W związku z prowadzonym przez Hitachi programem badań i rozwoju, specyfikacje te mogą się zmienić w każdej chwili bez uprzedzenia.

Informacja dotycząca poziomu hałasu i wibracji

Mierzone wartości było określone według EN60745 i zadeklarowane zgodnie z ISO 4871.

Zmierzony poziom dźwięku A: 110 dB (A)

Zmierzone ciśnienie akustyczne A: 99 dB (A)

Niepewność KpA: 3 dB (A)

Noś słuchawki ochronne.

Wartość całkowita wibracji (trójosiowa suma wektorowa), określona zgodnie z postanowieniami normy EN60745.

Wiercenie z udarem w betonie:

wartość emisji wibracji $a_{h, ID} = 16,0 \text{ m/s}^2$

Niepewność $K = 1,8 \text{ m/s}^2$

OSTRZEŻENIE

- Wartość emisji wibracji podczas pracy narzędzia elektrycznego może różnić się od podanej wartości w zależności od sposobu wykorzystywania narzędzia.
- Aby określić środki bezpieczeństwa wymagane do ochrony operatora zgodnie z szacowaną wartością narażenia na zagrożenie w zależności od rzeczywistych warunków użytkowania (uwzględniając wszystkie etapy cyklu roboczego, a także przerwy w pracy urządzenia oraz praca w trybie gotowości).

SZERSZÁMGÉPEKRE VONATKOZÓ ÁLTALÁNOS BIZTONSÁGI FIGYELMEZTETÉSEK

▲ FIGYELEM

Olvasson el minden biztonsági figyelmeztetést és minden utasítást.

A figyelmeztetések és utasítások be nem tartása áramütést, tüzet és/vagy súlyos sérülést eredményezhet.

Őrizzen meg minden figyelmeztetést és utasítást a jövőbeni hivatkozás érdekében.

A "szerszám gép" kifejezés a figyelmeztetésekből a hálózatról működő (vezetékes) vagy akkumulátorral működő (vezeték nélküli) szerszám gépre vonatkozik.

1) Munkaterületi biztonság

- Tartsa a munkaterület tisztán és jól megvilágítva.**
A teleszfűtő vagy sötét területek vonzák a baleseteket.
- Ne üzemeltesse a szerszám gépeket robbanásveszélyes atmoszférában, mint például gyúlékony folyadékok, gázok vagy por jelenlétében.**
A szerszám gépek szikrákat keltenek, amelyek meggyújthatják a port vagy gőzöket.
- Tartsa távol a gyermekeket és körülállókát, miközben a szerszám gépet üzemelteti.**
A figyelemelvonás a kontroll elvesztését okozhatja.

2) Érintésvédelem

- A szerszám gép dugaszoknak meg kell felelniük az aljzatnak.**
Soha, semmilyen módon ne módosítsa a dugaszt.
Ne használjon semmilyen adapter dugaszt földelt szerszám gépekkel.
A nem módosított dugaszok és a megfelelő aljzatok csökkentik az áramütés kockázatát.
- Kerülje a test érintkezését földelt felületekkel, mint például csövekkel, radiátorokkal, tűzhelyekkel és hűtőszekrényekkel.**
Az áramütés kockázata megnövekszik, ha a teste földelve van.
- Ne tegye ki a szerszám gépeket esőnek vagy nedves körülményeknek.**
A szerszám géphez kerülő víz növeli az áramütés kockázatát.
- Ne rongálja meg a vezetéket. Soha ne használja a vezetéket a szerszám gép szállítására, húzására vagy kihúzására.**
Tartsa távol a vezetéket a hőtől, olajtól, éles szegélyektől vagy mozgó alkatrészekről.
A sérült vagy összekuszálódott vezetékek növelik az áramütés kockázatát.
- A szerszám gép szabadban történő üzemeltetése esetén használjon szabadtéri használatra alkalmas hosszabbító kábelt.**
A szabadtéri használatra alkalmas kábel használata csökkenti az áramütés kockázatát.
- Ha elkerülhetetlen a szerszám gép nyirkos helyen történő használata, használjon maradékáram-készülékkel (RCD) védett táplálást.**
Az RCD használata csökkenti az áramütés kockázatát.

3) Személyi biztonság

- Álljon készenlétben, figyelje, hogy mit tesz, és használja a józan esztét a szerszám gép üzemeltetésekor.**
Ne használja a szerszám gépet fáradtan, kábítószert, alkoholt vagy gyógyszer befolyása alatt.
A szerszám gépek üzemeltetése közben egy pillanatnyi figyelmen kívül hagyás súlyos személyi sérülést eredményezhet.

- Használjon személyi védőfelszerelést. Mindig viseljen védőszemüveget.**
A megfelelő körülmények esetén használt védőfelszerelés, mint például a porálar, nem csúsztató biztonsági cipő, kemény sisak, vagy hallásvédő csökkenti a személyi sérüléseket.
 - Előzze meg a véletlen elindítást. Győződjön meg arról, hogy a kapcsoló a KI helyzetben van, mielőtt csatlakoztatja az áramforráshoz és/vagy az akkumulátorcsomaghoz, amikor felveszi vagy szállítja a szerszámot.**
A szerszám gépek szállítása úgy, hogy az ujjá a kapcsolón van vagy a bekapcsolt helyzetű szerszám gépek áram alá helyezése vonzza a baleseteket.
 - Távolítsa el minden állítókulcsot vagy csavarkulcsot, mielőtt bekapcsolja a szerszám gépet.**
A szerszám gép forgó részéhez csatlakoztatva hagyott csavarkulcs vagy kulcs személyi sérülést eredményezhet.
 - Ne nyúljon át. Mindenkor álljon stabilan, és őrizze meg egyensúlyát.**
Ez lehetővé teszi a szerszám gép jobb ellenőrzését váratlan helyzetekben.
 - Öltözzön megfelelően. Ne viseljen laza ruházatot vagy ékszert. Tartsa távol a haját, ruházatát és kesztyűjét a mozgó részekről.**
A laza ruházat, ékszer vagy hosszú haj beakadhat a mozgó részekbe.
 - Ha vannak rendelkezésre bocsátott eszközök a porelszívó és gyűjtő létesítmények csatlakoztatásához, gondoskodjon arról, hogy ezek csatlakoztatva és megfelelően használva legyenek.**
A porgyűjtő használata csökkentheti a porhoz kapcsolódó veszélyeket.
- 4) A szerszám gép használata és ápolása
- Ne erőltesse a szerszám gépet. Használjon az alkalmazásához megfelelő szerszám gépet.**
A megfelelő szerszám gép jobban és biztonságosabban végzi el a feladatot azon a sebességen, amelyre azt tervezték.
 - Ne használja a szerszám gépet, ha a kapcsoló nem kapcsolja azt be és ki.**
Az a szerszám gép, amely a kapcsolóval nem vezérelhető, veszélyes és meg kell javítani.
 - Húzza ki a dugaszt az áramforrásból és/vagy az akkumulátorcsomagot a szerszám gépből, mielőtt bármilyen beállítást végez, tartozékokat cserél vagy tárolja a szerszám gépeket.**
Az ilyen megelőző biztonsági intézkedések csökkentik a szerszám gép véletlen beindulásának kockázatát.
 - A használaton kívüli szerszám gépeket tárolja úgy, hogy gyermekek ne érhessek el, és ne engedje meg, hogy a szerszám gépet vagy ezeket az utasításokat nem ismerő személyek üzemeltessék a szerszám gépet.**
Képzetlen felhasználók kezében a szerszám gépek veszélyesek.
 - A szerszám gépek karbantartása. Ellenőrizze a helytelen beállítás, a mozgó részek elakadása, alkatrészek törése és minden olyan körülmény szempontjából, amelyek befolyásolhatják a szerszám működését.**
Ha sérült, használat előtt javíttassa meg a szerszámot. Sok balesetet a rosszul karbantartott szerszám gépek okoznak.
 - A vágószerszámokat tartsa élesen és tisztán.**
Az éles vágóélekkel rendelkező, megfelelően karbantartott vágószerszámok kevésbé valószínűleg akadnak el és könnyebben kezelhetők.

- g) A szerszám gép tartozékait és betétkéseit, stb. használja ezeknek az utasításoknak megfelelően, figyelembe véve a munkakörülményeket és a végzendő munkát.

A szerszám gép olyan műveletekre történő használata, amelyek különbözőnek a szándékoltaktól, veszélyes helyzetet eredményezhet.

5) Szerviz

- a) A szerszám gépét képesített javító személyrel szervizeltesse, csak azonos cserealkatrészek használatával.

Ez biztosítja, hogy a szerszám gép biztonsága megmaradjon.

VIGYÁZAT

Tartsa távol a gyermekeket és beteg személyeket.

Amikor nincs használatban, a szerszámokat úgy kell tárolni, hogy gyermekek és beteg személyek ne érhessek el.

ÜTVEFÚRÓGÉP - BIZTONSÁGI FIGYELMEZTETÉSEK

- Az ütvefúrógép használata közben viseljen fülvédőt.** A zajnak való kitettség halláskárosodást okozhat.
- Használja a szerszám géphez mellékelte kiegészítő fogantyút.** Az ellenőrzés elvesztése személyi sérülést okozhat.
- Falakba, mennyezetekbe vagy padlóba történő fúrás előtt győződjön meg arról, hogy azokban nem futnak elektromos vezetékek.
- Mindig használja az oldalfogantyút és tartsa a szerszámot erősen mindkét kezével.
- Ha az ütvefúrógépet ütvefúróként használja, akkor azt mindig az óramutató járásával megegyező fúrássírral használja. (10. ábra)

MŰSZAKI ADATOK

Feszültség (terület szerint)*	(110V, 220V, 230V, 240V) ~	
Névleges teljesítményfelvétel	690 W*	
Fordulatszám választás	1	2
Üresjárat fordulatszám	Előrefelé történő forgás	0 – 1000 min ⁻¹
	Hátrafelé történő forgás	0 – 600 min ⁻¹
Kapacitás	Acél	13 mm
	Beton	18 mm
	Fa	40 mm
Teljes terheléses ütési-sebesség	8400 min ⁻¹	27300 min ⁻¹
Súly (tápkábel nélkül)	2,0 kg	

* Ne felejtse el ellenőrizni a típus táblán feltüntetett adatokat, mivel ezek területenként változnak!

STANDARD TARTOZÉKOK

- (1) Tokmánykulcs (Csak kulcsos tokmány esetén) 1
 (2) Oldalfogantyú 1
 (3) Mélységmérő 1
 A standard tartozékok előzetes bejelentés nélkül változhatnak.

VÁLASZTHATÓ TARTOZÉKOK (külön megrendelésre)

- (1) Ütvefúró hegy (betonhoz)
 3,2 mm – 18 mm átmérő
 A választható tartozékok előzetes bejelentés nélkül változhatnak.

FELHASZNÁLÁSI TERÜLETEK

- **FORGÁS és ÜTVEFÚRÁS:**
 Lyukak fúrása kemény anyagokba (beton, márvány, gárnit, csempe, stb.)
- **FORGÁS:**
 Lyukak fúrása fémbe, fába és műanyagba.

ÜZEMBEHELYEZÉS ELŐTTI TENNIVALÓK

- Áramforrás**
 Ügyeljen rá, hogy a készülék adattábláján feltüntetett feszültség értéke megegyezzen az alkalmazni kívánt hálózati feszültséggel.
- Hálózati kapcsolat**
 Ügyeljen rá, hogy a hálózati kapcsoló KI állásba legyen kapcsolva. Ha a csatlakozódugót úgy csatlakoztatja a dugaszolóaljzatba, hogy a hálózati kapcsoló BE állásban van, akkor a készülék azonnal működésbe lép, ami súlyos balesetet idézhet elő.
- Hosszabbító vezeték**
 Ha a munkaterület az áramforrástól távol található, akkor egy megfelelő keresztmetszetű és teljesítményű hosszabbító vezetékkel kell alkalmazni. A hosszabbító vezeték a lehető legrövidebb legyen.
- A megfelelő fúróhegy kiválasztása**
 - Beton vagy a kő fúrása esetén
 Használja a választható tartozékok között meghatározott fúróhegyeket.
 - Fém vagy műanyag fúrása esetén
 Használjon normál fémmegmunkáló fúróhegyet.
 - Ha fúrása esetén
 Használjon normál fémegmunkáló fúróhegyet.
 Ha azonban 6,5 mm-es vagy ennél kisebb lyukakat fúr, használjon fémmegmunkáló fúróhegyet.

5. A hegy felszerelése és eltávolítása

Kulcsos tokmány esetén (1. ábra)

- (1) Nyissa ki a tokmány szorítófópjait és helyezze be a hegyet a tokmányba.
- (2) Illesse be a tokmánykulcsot a tokmány mindhárom lyukába és fordítsa el az óra járásával egyező irányban (a szerszám elejéről szemlélve), majd pedig biztonságosan szorítsa meg.
- (3) A hegy eltávolításához illesse be a tokmánykulcsot a tokmány egyik lyukába és fordítsa el az óra járásával ellenkező irányba.

Kulcs nélküli tokmány esetén (2. ábra)

- (1) A hegy felszerelése
Fordítsa el a karmantyút az óramutató járásával ellenkező irányban és nyissa ki a tokmányt. Miután a fúróhegyet ütközésig behelyezte a tokmányba, fogja meg a visszatartó gyűrűt és zárja be a tokmányt úgy, hogy a karmantyút az óramutató járásával egyező irányban elfordítja (a szerszám elejéről szemlélve).
- (2) A hegy eltávolítása
Fogja meg a visszatartó gyűrűt, és nyissa ki a tokmányt úgy, hogy a karmantyút az óramutató járásával ellenkező irányban fordítja el.

MEGJEGYZÉS

Ha a karmantyú tovább már nem lazítható, rögzítse az oldalfogantyút a visszatartó gyűrűhöz, tartsa erősen az oldalfogantyút, majd pedig a kézzel történő oldáshoz fordítsa el a karmantyút (3. ábra).

6. Ellenőrizze a forgásirányt (4. ábra)

(A szerszám végétől szemlélve) a nyomógomb jobboldalának (R) megnyomását követően a hegy az óramutató járásával megegyező irányban forog. A hegy óramutató járásával ellenkező irányban történő forgatásához nyomja meg a nyomógomb baloldalát (L). (Az (L) és az (R) jelöléseket a szerszám házában találja meg.)

FIGYELEM!

Ha az ütfévűrógépet ütfévűróként használja, akkor azt mindig az óramutató járásával megegyező fúrásiiránnyal használja.

7. Az oldalfogantyú rögzítése (5. ábra)

Csatlakoztassa az oldalfogantyút a befogórészbe.

A rögzítéshez forgassa az oldalfogantyút karmantyúját az óramutató járásával megegyező irányba.

Állítsa az oldalfogantyút olyan helyzetbe, hogy az megfeleljen a műveletnek, majd pedig biztonságosan szorítsa meg az oldalfogantyút karmantyúját.

A mélységmérőnek az oldalfogantyúhoz történő csatlakoztatásához illesse be a mélységmérőt az oldalfogantyún lévő horonyba, állítsa be a mélységmérőt a lyuk kívánt mélységének megfelelően, majd pedig biztonságosan szorítsa meg az oldalfogantyú karmantyúját. (6. ábra)

8. Átkapcsolás ÜTVEFÚRÁS-ról FORGÁS-ra (7. ábra)

Az ÜTVEFÚRÁS (forgás és ütés), valamint a FORGÁS (csak forgás) között történő átkapcsoláshoz egyszerűen csak az üzemmód váltó jobb- és baloldali állása között kell átkapcsolnia.

Lyukaknak kemény anyagokba (mint például beton, kő és csempé) történő fúrásához kapcsolja az üzemmód váltót a jobboldali pozícióba (ezt a **T** jel jelöli). A fúróhegy ütés és forgás kombinált alkalmazásával működik.

Lyukaknak fémbe, fába és műanyagba történő fúrásához állítsa az üzemmód váltót a baloldali pozícióba (ezt a **J** jel jelöli). A fúróhegy csak forgás alkalmazásával működik, ugyanúgy, mint egy hagyományos villanyfúró-gép esetében.

FIGYELEM!

- Ne használjon ütfévűró-gépet az ÜTVEFÚRÁS funkcióban, ha az anyagot csak forgással lehet fúrni. Az ilyen lépés nem csupán a fúrás hatékonyságát csökkenti, de károsíthatja a fúróhegyet is.
- Ha úgy működteti az ütfévűró-gépet, hogy az üzemmód váltó a középső pozícióban van, akkor ez károsodást okozhat. Kapcsolás esetén győződjön meg arról, hogy a helyes állásba állította az üzemmód-váltót.

9. Átkapcsolás magas és alacsony fordulatszám között

A fordulatszám-váltást megelőzően győződjön meg arról, hogy a kapcsoló OFF (Kl) állásban van, illetve, hogy a fúró motorja teljesen leállt.

A fordulatszám átváltásához fordítsa el a fordulatszám kapcsolót a **8. ábra** által jelölt módon. A fúró testébe mart "1" szám az alacsony fordulatszámot, a "2" szám pedig a magas fordulatszámot jelzi.

Ha nehéz elfordítani a fordulatszám kapcsolót, akkor fordítsa el kicsit a tokmányt tetszőleges irányba, majd pedig fordítsa el ismét a fordulatszám szabályzót.

HASZNÁLAT

1. A kapcsoló működtetése

- A kapcsoló megnyomásakor a szerszám forog. Ha a kapcsolót felengedjük, akkor a szerszám megáll.
- A fúró forgási sebességét a kapcsoló megnyomásának intenzitását változtatva tudjuk szabályozni. A kapcsoló enyhé megnyomásakor a fúró sebessége alacsony, és a nyomás fokozásával a sebesség is növekszik.

- A kívánt forgási sebességet a fordulatszám szabályzóval előre is kiválaszthatjuk.

Magasabb fordulatszámhoz fordítsuk el a fordulatszám szabályzót az óramutató járával megegyező irányban, alacsonyabb fordulatszámhoz pedig az óramutató járásával ellenkező irányban. (9. ábra)

- A kapcsoló és az ütköző együttes megnyomásakor a fúró olyan bekapcsolt állapotban marad, amely kényelmes a folyamatos működéshez. Kikapcsoláskor az ütköző a kapcsoló ismételt megnyomásával lehet oldani.

FIGYELEM!

Ha a nyomógomb baloldalát (L) nyomtuk le a hegy visszafelé történő forgatásához, akkor az ütköző nem használható.

2. Fúrás

- Fúráskor kezdjük a fúrást lassan, majd pedig fúrás közben fokozatosan emeljük a sebességet.

- Mindig a hegygel egyenes vonalban alkalmazzon nyomást. Államazzon a fúrásához elegendő nyomást, de ne nyomja annyira, hogy leálljon a motor, vagy pedig a hegy elhajoljon.

- A motor leállításának vagy az anyag áttörésének minimalizálásához csökkentse a fúróra nehezedő nyomást és a lyuk utolsó részében könnyítve nyomja a hegyet.

- Ha a fúró leáll, azonnal engedje fel a kapcsolót, távolítsa el a hegyet a munkadarabból, és kezdje újra. Ne nyomkodja a kapcsolót a leállt fúró elindítását megkísérelve, ez ugyanis károsíthatja a fúró.

- Minél nagyobb a fúróhegy átmérője, annál nagyobb a karra visszaható erő.

Ügyeljen arra, hogy ezen visszaható erő miatt el ne vesztisse a fúró feletti ellenőrzést.

A biztos ellenőrzéshez vesse meg alaposan a lábát, használja az oldalfogantyút, fogja erősen a fűrőt mindkét kezével, és gondoskodjon arról, hogy a fűrő függőlegesen hatoljon be a fűrandó anyagba.

ELLENŐRZÉS ÉS KARBANTARTÁS

1. A fűróhegyek ellenőrzése

Miután az elkopott fűróhegyek használata a motor hibás működését és a hatékonyság romlását okozhatja, a kopottság észlelésekor késedelem nélkül cserélje ki a fűróhegyeket új vagy pedig megélezett hegyekre.

2. A tartócsavarok ellenőrzése

Rendszeresen ellenőrizze az összes tartócsavart, és gondoskodjon arról, hogy azok szorosan meg legyenek húzva. Ha bármelyik csavar kilazulna, azonnal húzza meg őket. Ennek elmulasztása ugyanis súlyos veszélyt okozhat.

3. A motor karbantartása

Az elektromos szerszám lelke a motor tekerceselése. Ügyeljen arra, hogy a tekerceselés ne sérüljön meg és ne érje olaj vagy víz.

4. A szénkefék ellenőrzése

Az Ön folyamatos biztonsága és az elektromos áramütés veszélyének elkerülése érdekében e szerszám szénkeféinek ellenőrzését és cseréjét KIZÁRÓLAG csak Hitachi Szakszervíz végezheti.

5. Szervizelési alkatrésztlista

- A: Alkatrészsorszám
- B: Kódszám
- C: Használt darabszám
- D: Megjegyzések

FIGYELEM

Hitachi kéziszerszámok javítását, módosítását és ellenőrzését csak Hitachi Szakszervíz végezheti. Javítás vagy egyéb karbantartás esetén hasznos ha ezt a szervíz-alkatrész listát a szerszámmal együtt átadjuk a Hitachi Szakszervíznek.

A kéziszerszámok üzemeltetése és karbantartása során be kell tartani az egyes országokban érvényben lévő biztonsági rendelkezéseket és szabványokat.

MÓDOSÍTÁSOK

A Hitachi kéziszerszámok állandó tökéletesítéseken mennek át, hogy alkalmazni tudják a legújabb műszaki fejlesztések eredményeit.

Éppen ezért egyes alkatrészek (azok kódszámai illetve kiviteli módjai) előzetes bejelentés nélkül megváltozhatnak.

GARANCIA

A Hitachi Power Tools szerszámokra a törvényes/országos előírásoknak megfelelő garanciát vállalunk. A garancia nem vonatkozik a helytelen vagy nem rendeltetésszerű használatból, továbbá a normál mértékűnek számító elhasználódásból, kopásból származó meghibásodásokra, károokra. Reklamáció esetén kérjük, küldje el a - nem szétszerelt - szerszámot a kezelési útmutató végén található GARANCIA BIZONYLATTAL együtt a hivatalos Hitachi szervizközpontba.

MEGJEGYZÉS

A HITACHI folyamatos kutatási és fejlesztési programja következtében az itt szereplő műszaki adatok előzetes bejelentés nélkül változhatnak.

A környezeti zajra és vibrációra vonatkozó információk

A mért értékek az EN60745 szabványnak megfelelően kerültek meghatározásra és az ISO 4871 alapján kerülnek közzétételre.

Mért A hangteljesítmény-szint: 110 dB (A)

Mért A hangnyomás-szint: 99 dB (A)

Bizonytalanság KpA: 3 dB (A)

Viseljen hallásvédelmi eszközt.

EN60745 szerint meghatározott rezgési összértékek (háromtengelyű vektorösszeg).

Ütvefűrés betonba:

Rezgési kibocsátási érték **a_h, I_D** = 16,0 m/s²

Bizonytalanság K = 1,8 m/s²

FIGYELEM

- A rezgési kibocsátási érték a szerszám tényleges használata során különbözhet a megadott értéktől a szerszám használatának módjaitól függően.
- A kezelő védelméhez szükséges biztonsági intézkedések azonosításához, amelyek a használat tényleges körülményeinek való kitétség becslésén alapulnak (számításba véve az üzemeltetési ciklus minden részét, mint például az időket, amikor a szerszám ki van kapcsolva, és amikor üresjáratban fut a bekapcsolási időn túl).

OBECNÁ VAROVÁNÍ TÝKAJÍCÍ SE BEZPEČNOSTI EL. PŘÍSTROJE

⚠ UPOZORNĚNÍ

Přečtěte si všechna varování týkající se bezpečnosti a všechny pokyny.

Nedodržení těchto varování a pokynů může mít za následek elektrický šok, požár a/nebo vážné zranění.

Všechna varování a pokyny si uschovejte. V budoucnu se vám mohou hodit.

Pojem "elektrický nástroj" v těchto varováních se vztahuje k vašemu elektrickému nástroji napájenému ze sítě (se šňůrou) nebo napájenému z baterie (bez šňůry).

1) Bezpečnost na pracovišti

- Udržujte vaše pracoviště čisté a dobře osvětlené.**
V důsledku nepořádku nebo tmy dochází k nehodám.
- Neprovozujte elektrické nástroje ve výbušném ovzduší, např. v přítomnosti hořlavých kapalin, plynů či prachu.**
Elektrické nástroje produkují jiskry, které by mohly zapálit prach anebo plyny.
- Během práce s elektrickým nástrojem zabraňte přístupu dětí a přihlížejících osob.**
Rozptylování by mohlo způsobit ztrátu vaší kontroly nad nástrojem.

2) Elektrická bezpečnost

- Zástrčka elektrického nástroje musí odpovídat zásuvce.**
Nikdy se nepokoušejte zástrčku jakkoli upravovat. U uzemněných elektrických nástrojů nepoužívejte žádné rozbočovací zásuvky.
Neupravované zástrčky a odpovídající zásuvky snižují nebezpečí elektrického šoku.
- Zabraňte kontaktu s uzemněnými povrchy jako jsou trubky, radiátory, sporáky a lednice.**
Je-li uzemněné vaše tělo, existuje zvýšené nebezpečí elektrického šoku.
- Nevystavujte elektrický nástroj dešti nebo vlhkým podmínkám.**
Voda, která vnikne do elektrického nástroje, zvyšuje nebezpečí elektrického šoku.
- Zacházejte správně s napájecí šňůrou. Nikdy šňůru nepoužívejte k přenášení, tahání nebo odpojování elektrického nástroje ze zásuvky. Umístěte napájecí šňůru mimo působení horka, mimo olej, ostré hrany nebo pohybující se části.**
Poškozené nebo zamotané šňůry zvyšují nebezpečí elektrického šoku.
- Během provozu elektrického nástroje venku používejte prodlužovací šňůru vhodnou k venkovnímu použití.**
Použití šňůry vhodné k venkovnímu použití snižuje nebezpečí elektrického šoku.
- Pokud je použití elektrického nástroje na vlhkém místě nevyhnutelné, použijte napájení s ochranným zařízením na zbytkový proud.**
Použití zařízení na zbytkový proud snižuje riziko elektrického šoku.

3) Osobní bezpečnost

- Buďte pozorní, sledujte, co děláte a při práci s elektrickým nástrojem používejte zdravý rozum. Elektrický nástroj nepoužívejte, jste-li unavení nebo pod vlivem drog, alkoholu nebo léků.**

Jediný okamžik nepozornosti při práci s elektrickým nástrojem může způsobit vážné zranění.

- Používejte osobní ochranné pracovní pomůcky. Vždy noste ochranu očí.**
Ochranné pracovní pomůcky jako respirátor, bezpečnostní obuv s protiskluzovou podrážkou, ochranná přilba nebo ochrana sluchu použité v příslušných podmínkách snižují možnost zranění.
 - Zabraňte nechtěnému spuštění. Před připojením ke zdroji napájení a/nebo bateriového zdroje, zvedáním nebo přenášením elektrického nástroje se ujistěte, že je spínač v poloze vypnutou.**
Nošením elektrických nástrojů s prstem na vypínači nebo jejich aktivací s vypínačem v poloze zapnutu vzniká nebezpečí úrazu.
 - Před zapnutím elektrického nástroje odstraňte seřizovací klíč.**
Klíč ponechaný připevněný k rotující části elektrického nástroje může způsobit zranění.
 - Nepřehánějte to. Vždy si udržujte správné postavení a stabilitu.**
To umožní lepší kontrolu nad elektrickým nástrojem v nepředvídaných situacích.
 - Noste správný oděv. Nenoste volné oblečení ani šperky. Vlasy, oděv a rukavice udržujte mimo pohybující se části.**
Volný oděv, šperky nebo dlouhé vlasy mohou být vtazeny do pohybujících se částí.
 - Pokud jsou k dispozici zařízení k připojení přístrojů k odsávání a sběru prachu, ujistěte se, že jsou připojena a správně používána.**
Použitím zařízení ke sběru prachu lze snížit rizika související s prachem.
- #### 4) Používání a péče o elektrický nástroj
- Netlačte na elektrický nástroj. Používejte vždy vhodný elektrický nástroj pro danou aplikaci.**
Správný elektrický nástroj provede daný úkol lépe a bezpečněji, rychleji, pro jakou byl konstruován.
 - Nepoužívejte elektrický nástroj, pokud nefunguje jeho zapínání a vypínání pomocí vypínače.**
Jakýkoli elektrický nástroj, který nelze ovládat vypínačem, je nebezpečný a musí být opraven.
 - Před prováděním jakéhokoli seřízení, před výměnou příslušenství nebo uskladněním elektrických nástrojů vždy nejprve odpojte zástrčku ze zdroje napájení a/nebo odpojte bateriový zdroj.**
Taková preventivní opatření snižují nebezpečí nechtěného spuštění elektrického nástroje.
 - Nepoužívané elektrické nástroje skladujte mimo dosah dětí a nedovolte, aby s elektrickým nástrojem pracovali osoby, které nejsou seznámeny s ním nebo s pokyny k jeho používání.**
Elektrické nástroje v rukou nevyškolených uživatelů jsou nebezpečné.
 - Udržujte elektrické nástroje. Kontrolujte případná vychýlení nebo sevření pohybujících se částí, poškození částí a jakékoli ostatní podmínky, které mohou mít vliv na provoz elektrických nástrojů.**
V případě poškození nechte elektrický nástroj před jeho dalším použitím opravit.
Mnoho nehod vzniká v důsledku nesprávné údržby elektrických nástrojů.
 - Udržujte řezací nástroje ostré a čisté.**
Správně udržované řezací nástroje s ostrými řeznými hranami se méně pravděpodobně zaseknou a lépe se ovládají.

- g) Elektrický nástroj, příslušenství, vsazené části atd. použijte v souladu s těmito pokyny. Berte přitom zřetel na pracovní podmínky a prováděnou práci.

Použití elektrického nástroje k jinému než určenému účelu může způsobit nebezpečnou situaci.

5) Servis

- a) Servis vašeho elektrického nástroje svěřte kvalifikovanému opraváři, který použije pouze identické náhradní díly.

Tak bude i nadále zajištěna bezpečnost elektrického nástroje.

PREVENTIVNÍ OPATŘENÍ

Nedovolte přístup dětem a slabomyslným osobám.

Pokud nástroje nepoužíváte, měli byste je skladovat mimo dosah dětí a slabomyslných osob.

TECHNICKÉ ÚDAJE

Napětí (podle příslušné oblasti)*		(110 V, 220 V, 230 V, 240 V) ~	
Příkon		690 W*	
Změna rychlosti		1	2
Rychlost bez zatížení	Chod vpřed	0 – 1000 min ⁻¹	0 – 3000 min ⁻¹
	Zpětný chod	0 – 600 min ⁻¹	0 – 1800 min ⁻¹
Kapacita	Ocel	13 mm	8 mm
	Beton	18 mm	13 mm
	Dřevo	40 mm	25 mm
Přikleповá rychlost při plném zatížení		8400 min ⁻¹	27300 min ⁻¹
Hmotnost (bez šňůry)		2,0 kg	

* Zkontrolujte, prosíme, štítek na výrobku. Štítek podléhá změnám v závislosti na oblastech použití.

STANDARDNÍ PŘÍSLUŠENSTVÍ

- (1) Klíč sklíčidla (jen u sklíčidel na klíč) 1
 (2) Boční držadlo 1
 (3) Měřitko hloubky 1
 Standardní příslušenství podléhá změnám bez upozornění.

VOLITELNÉ PŘÍSLUŠENSTVÍ (prodává se zvlášť)

- (1) Přikleповý vrták (do betonu)
 průměr 3,2 mm – 18 mm
 Doplňkové příslušenství podléhá změnám bez upozornění.

POUŽITÍ

- ROTACE ve spojení s PŘÍKLEPEM:
 Vyvrtávání otvorů do tvrdých materiálů (beton, mramor, žula, obkladačky atd.)
 ○ ROTACE:
 Vyvrtávání otvorů do kovů, dřeva a plastů.

PŘED POUŽITÍM

1. Zdroj napětí

Ujistěte se, že používaný zdroj napětí splňuje požadavky specifikované na štítku výrobku.

PŘÍKLEPOVÁ VRTAČKA BEZPEČNOSTNÍ UPOZORNĚNÍ

- U přikleповých vrtaček používejte ochranu sluchu.**
V důsledku vystavení hluku může dojít ke ztrátě sluchu.
- Používejte pomocné rukojeti dodané s náradím.**
V případě ztráty kontroly může dojít k poranění osob.
- Před započítím prací na stěnách, podlaze nebo stropech se přesvědčte, že uvnitř se nenachází žádné elektrické kabely nebo vodiče.
- Vždy používejte boční držadlo a držte zařízení pevně v obou rukách.
- Při práci s přikleповem používejte přikleповý vrták vždy při rotaci po směru hodinových ručiček. **(Obr. 10)**

2. Spínač

Ujistěte se, že spínač je v poloze VYPNUTO. Pokud je zástrčka zasunuta v zásuvce elektrického proudu a spínač je v poloze ON, zařízení začne okamžitě pracovat, a to může způsobit vážný úraz.

3. Prodlužovací kabel

Pokud je pracoviště vzdáleno od zdroje napájení, použijte prodlužovací kabel o správné tloušťce a kapacitě. Je třeba, aby prodlužovací kabel byl co nejkratší.

4. Volba správného vrtáku

- Při vrtání do betonu nebo kamene
 Použijte vrtáky uvedené v doplňkovém příslušenství.
 ○ Při vrtání do kovu nebo plastu
 Použijte obyčejný vrták na kov.
 ○ Při vrtání do dřeva
 Použijte obyčejný vrták na dřevo.
 Při vrtání otvorů o průměru 6,5 mm a méně však použijte vrták na kov.

5. Nasazení a sejmutí vrtáku

U sklíčidel na klíč (Obr. 1)

- Rozevřete čelisti sklíčidla a vložte vrták do sklíčidla.
- Vsuňte klíč sklíčidla do kteréhokoli ze tří otvorů ve sklíčidle a otáčejte jím ve směru otáčení hodinových ručiček (v pohledu zepředu). Pevně sklíčidlo utáhněte.
- Chcete-li vrták vyjmout, vsuňte klíč sklíčidla do jednoho z otvorů ve sklíčidle a otáčejte jím proti směru otáčení hodinových ručiček.

U sklíčidel bez klíče (Obr. 2)

- (1) Upevnění vrtáku
Otočte objímku proti směru hodinových ručiček a otevřete sklíčidlo. Vsuňte vrták do sklíčidla co nejdál a poté chyťte zádržný kroužek a uzavřete sklíčidlo otočením objímky ve směru hodinových ručiček (pohled zepředu).
- (2) Vyjmutí vrtáku
Chyťte zádržný kroužek a otevřete sklíčidlo otočením objímky proti směru hodinových ručiček (pohled zepředu).

POZOR

Nelze-li již objímku více uvolnit, upevněte na zádržný kroužek boční držadlo, pevně boční držadlo uchopte a otáčejte objímku, až půjde povolit rukou (**Obr. 3**).

6. Zkontrolujte nastavený směr otáčení (Obr. 4)

Vrták se otáčí po směru hodinových ručiček (pohled zezadu), stiskneme-li stranu tlačítka označenou písmenem R.

Po stisknutí strany tlačítka označené písmenem L se vrták otáčí proti směru hodinových ručiček.

(Znamínka (L) a (R) jsou pouze na pouzdrů zařízení.)

POZOR

Při práci s příklepem používejte příklepový vrták vždy při rotaci po směru hodinových ručiček.

7. Upevnění bočního držadla (Obr. 5)

Přípevněte boční držadlo na úchyt.

Otáčením bočního držadla po směru hodinových ručiček je zajistíte na úchyty.

Nastavte boční držadlo do polohy vhodné k práci a poté pevně utáhněte úchyt bočního držadla.

Chcete-li na boční držadlo připevnit měřítko hloubky, zasuňte měřítko do drážky tvaru U na bočním držadle, nastavte jeho polohu podle požadované hloubky otvoru a pevně utáhněte úchyt bočního držadla (**Obr. 6**).

8. Přepnutí z režimu PŘÍKLEP do režimu ROTACE (Obr. 7)

Přepnutí z režimu PŘÍKLEP (rotace a příklep) do režimu ROTACE (pouze rotace) je snadné – pomocí nastavením přepínače z pravé do levé polohy.

Při vrtání do tvrdých materiálů jako beton, kámen a obkladačky nastavte přepínač do pravé polohy (vyznačené znamínkem **T**).

Vrták pracuje v kombinaci příklepu a rotace.

Při vrtání otvorů v kovu, dřevu a plastech nastavte přepínač do levé polohy (vyznačené znamínkem **I**).

Vrták pracuje pouze rotací, jako u konvenční elektrické vrtačky.

POZOR

- Nepoužívejte příklepovou vrtačku v režimu PŘÍKLEP v případě, že materiál lze vrtat pouze rotací. V takovém případě může příklepový režim nejen snížit účinnost vrtačky, ale také poškodit špičku vrtáku.
 - Funkce příklepové vrtačky s přepínačem ve střední poloze může vést k jejímu poškození. Při přepínání dbejte na to, abyste přepínač přepínali do správné polohy.
- 9. Přepínání mezi vysokorychlostním a nízkorychlostním režimem**
- Před změnou nastavení rychlosti se ujistěte, že spínač je v pozici VYPNUTO a že se vrtačka zcela zastavila. Rychlost přestavíte otáčením číselníku převodovky ve směru šípky na **Obr. 8**. Číslice „1“ vyražená na plášti vrtačky značí nízkou rychlost a číslice „2“ vysokou rychlost.
- Lze-li číselníkem převodovky otáčet jen ztěžka, pootočte sklíčidlo krátce oběma směry a poté otáčejte číselníkem převodovky znovu.

JAK POUŽÍVAT PŘÍKLEPOVOU VRTAČKU**1. Funkce spínače**

- Po stisknutí spouští se zařízení otáčí. Po uvolnění spouští se zařízení zastaví.
- Rychlost rotace vrtačky lze ovládat mírou stisknutí spouští. Při malém stisknutí spouští je rychlost nízká a zvyšuje se při silnějším stisknutí spouští.
- Požadovanou rychlost otáčení lze předvolit číselníkem nastavování rychlosti. Při otáčení číselníku rychlosti po směru hodinových ručiček se rychlost zvyšuje a při otáčení proti směru hodinových ručiček se rychlost snižuje (**Obr. 9**).
- Při stisknutí spouští a následném stisknutí zářazky zůstane zařízení v režimu zapnuto, což je výhodné pro déletrvající práci. Při vypínání je možno zářazku vypnout opětovným stiskem spouští.

POZOR

Je-li tlačítko nastaveno do polohy L pro opačný směr otáčení vrtačky, nelze zářazku použít.

2. Vrtání

- Při vrtání spouštějte vrtačku pomalu a postupně za chodu rychlost zvyšujte.
- Vždy vyvíjejte tlak přímo v ose vrtáku. Používejte dostatečný tlak k vrtání, avšak ne natolik, aby motor přestal pracovat nebo aby došlo k vychýlení vrtáku.
- Snižte-li přítlak při závěrečné fázi vrtání otvoru, omezíte zasekávání motoru a riziko prolomení materiálu.
- Pokud se vrtačka zasekne, uvolněte okamžitě spoušť, vyjměte vrták z díla a začněte znovu. Nesazte se uvést zaseknutou vrtačku do chodu opakovanými stisky spouští. To může vrtačku poškodit.
- Čím větší bude průměr vrtáku, tím větší bude odporová síla působící na vaši paži. Dbejte na to, abyste působením této odporové síly neztratili kontrolu nad vrtačkou. Chcete-li si udržet pevnou kontrolu nad vrtačkou, zaujměte stabilní postavení, používejte boční držadlo, držte vrtačku pevně v obou rukách a dbejte na to, aby byla vrtačka v poloze kolmé k vrtanému materiálu.

ÚDRŽBA A KONTROLA**1. Kontrola vrtáků**

Používání opotřebených vrtáků způsobuje špatnou funkci motoru a snižuje účinnost. Proto zjistěte-li opotřebení vrtáků, vyměňte je neprodleně za nové nebo nabroušené.

2. Kontrola šroubů

Pravidelně zkontrolujte všechny šrouby a ujistěte se, že jsou správně utažené. Pokud najdete některé šrouby uvolněné, ihned je utáhněte. Neutažené šrouby mohou vést k vážnému riziku.

3. Údržba motoru

Vinutí motoru je srdce zařízení. Ujistěte se, že vinutí není poškozené nebo vlhké vodou nebo olejem.

4. Kontrola uhlíkových kartáčků

V zájmu zachování bezpečnosti a ochrany před úrazem elektrickým proudem by kontrolu a výměnu uhlíkových kartáčků tohoto zařízení mělo provádět POUZE Autorizované Servisní Středisko Hitachi.

5. Seznam servisních položek

- A: Číslo položky
- B: Kód položky
- C: Číslo použití
- D: Poznámky

POZOR

Opravy, modifikace a kontroly zařízení Hitachi musí provádět Autorizované servisní středisko Hitachi.

Tento seznam servisních položek bude užitečný, předložíte-li jej s vaším zařízením Autorizovanému servisnímu středisku Hitachi společně s požadavkem na opravu nebo další servis.

Při obsluze a údržbě elektrických zařízení musí být dodržovány bezpečnostní předpisy a normy platné v každé zemi, kde je výrobek používán.

MODIFIKACE

Výrobky firmy Hitachi jsou neustále zdokonalovány a modifikovány tak, aby se zavedly nejposlednější výsledky výzkumu a vývoje.

Následně, některé díly (např. čísla kódů nebo návrh) mohou být změněny bez předešlého oznámení.

ZÁRUKA

Ručíme za to, že elektrické nářadí Hitachi splňuje zákonné/ místně platné předpisy. Tato záruka nezahrnuje závady nebo poškození vzniklé v důsledku nesprávného použití, hrubého zacházení nebo normálního opotřebení. V případě reklamace zašlete prosím elektrické nářadí v nerozebraném stavu společně se ZÁRUČNÍM LISTEM připojeným na konci těchto pokynů pro obsluhu do autorizovaného servisního střediska firmy Hitachi.

POZNÁMKA

Z důvodu stále pokračujícího výzkumného a vývojového programu HITACHI mohou zde uvedené parametry podléhat změnám bez předchozího upozornění.

Informace o hluku a vibracích

Měřené hodnoty byly určeny podle EN60745 a deklarovány ve shodě s ISO 4871.

Změřená vážená hladina akustického výkonu A: 110 dB (A)

Změřená vážená hladina akustického tlaku A: 99 dB (A)

Neurčitost KpA: 3 dB (A)

Použijte ochranu sluchu.

Celkové hodnoty vibrací (vektorový součet triax) stanovené dle normy EN60745.

Příklepové vrtání do betonu:

Hodnota vibračních emisí $\mathbf{a_{h, ID}} = 16,0 \text{ m/s}^2$

Nejistota K = 1,8 m/s²

UPOZORNĚNÍ

- Hodnota vibračních emisí během vlastního používání elektrického přístroje se může od deklarované hodnoty lišit v závislosti na způsobu použití přístroje.
- Pro identifikaci bezpečnostních opatření k ochraně obsluhy založených na odhadu vystavení vlivům v daných podmínkách použití (v úvahu bereme všechny části pracovního cyklu, jako jsou doby, kdy je přístroj vypnutý, a kdy běží naprázdno připočtených k době spouštění).

GENEL ELEKTRİKLİ ALET GÜVENLİK UYARILARI

⚠ DİKKAT

Tüm güvenlik uyarılarını ve tüm talimatları okuyun.

Uyarılara ve talimatlara uyulmaması elektrik çarpmasına, yangına ve/veya ciddi yaralanmaya neden olabilir.

Bu kılavuzu gelecekte başvurmak üzere saklayın.

Uyarılarda kullanılan "elektrikli alet" terimi, şebeke elektriğiyle çalışan (kablolu) veya pille çalışan (kablesiz) elektrikli aletinizi belirtir.

1) Çalışma alanının güvenliği

- Çalışma alanı temiz ve iyi aydınlatılmış olmalıdır.**
Dağınık veya karanlık alanlar kazalara davetiye çıkarır.
- Elektrikli aletleri yarıcı sıvı, gaz veya toz patlayıcı maddelerin bulunduğu ortamlarda çalıştırmayın.**
Elektrikli aletlerin çıkardığı kıvılcımlar toz veya gaz halindeki bu maddeleri ateşleyebilir.
- Bir elektrikli aletle çalışırken çocukları ve izleyicileri uzaklaştırın.**
Dikkatinizin dağılması kontrolü kaybetmenize neden olabilir.

2) Elektrik güvenliği

- Elektrikli aletin fişi elektrik prizine uygun olmalıdır.**
Fişi herhangi bir şekilde değiştirmeyin.
Topraklanmış elektrikli aletlerle herhangi bir adaptör kullanmayın.
Fişlerde değişiklik yapılmaması ve uygun prizlerde kullanılması elektrik çarpması riskini azaltacaktır.
- Borular, radyatörler, fırınlar ve buzdolapları gibi topraklanmış yüzeylerle gövde temasından kaçının.**
Vücudunuzun toprakla temasa geçmesi halinde elektrik çarpması riski artar.
- Elektrikli aletleri yağmura veya ıslak ortamlara maruz bırakmayın.**
Elektrikli alete su girmesi elektrik çarpması riskini artıracaktır.
- Elektrik kablolarına zarar vermeyin.** Elektrikli aleti taşımak, çekmek veya fişini prizden çıkarmak için kabloyu kullanmayın.
Kabloyu ısıdan, yağdan, keskin kenarlardan veya hareketli parçalardan uzak tutun.
Hasar görmüş veya dolaşmış kablolar elektrik çarpması riskini artırır.
- Elektrikli aleti açık alanda kullanırken, açık alanda kullanıma uygun bir uzatma kablosu kullanın.**
Açık alanda kullanıma uygun bir kablo kullanılması elektrik çarpması riskini azaltır.
- Eğer bir elektrikli alet ıslak bir yerde kullanılması kaçınılmaz ise, artık akım cihazıyla (RCD) korunan bir güç kaynağı kullanın.**
RCD kullanılması elektrik çarpması riskini azaltır.

3) Kişisel emniyet

- Bir elektrikli alet kullanırken daima tetikte olun;** yaptığınız işi izleyin ve sağduyulu davranın.
Aleti yorgunken, alkol veya ilaç etkisi altındayken kullanmayın.
Elektrikli aletleri kullanırken göstereceğiniz bir anlık dikkatsizlik ciddi yaralanmayla sonuçlanabilir.
- Kişisel koruyucu donanım kullanın.** Daima koruyucu gözlük takın.
Uygun koşullar için kullanılan toz maskesi, kaymaz emniyet ayakkabıları, kask veya kulak koruyucu gibi koruyucu ekipmanlar yaralanmaları azaltacaktır.

- Aletin istenmeden çalışmasını engelleyin.** Aleti güç kaynağına ve/veya akü ünitesine bağlamadan, kaldırmadan veya taşımadan önce, güç düğmesinin kapalı konumunda olduğundan emin olun.

Elektrikli aletleri parmağınızın güç düğmesinin üzerinde olarak taşımamız veya güç düğmesi açılmış durumda fişini takmamız kazalara davetiye çıkarır.

- Aletin gücünü açmadan önce alet üzerindeki ayar veya somun anahtarlarını çıkarın.**
Aletin dönen parçalarından birine bağlı kalan bir somun anahtarı veya ayar anahtarı yaralanmaya yol açabilir.
- Çok fazla yaklaşmayın.** Uygun bir adım mesafesi bırakın ve sürekli olarak denginizi koruyun.
Böylece, beklenmedik durumlarda aleti daha iyi kontrol etmeniz mümkün olur.
- Uygun şekilde giyinin.** Bol elbiseler giymeyin ve takı eşyaları takmayın. Saçlarınızı, elbisenizi ve eldivenlerinizi hareketli parçalardan uzak tutun.
Bol elbiseler, takılar veya uzun saçlar hareketli parçalara takılabilir.
- Eğer toz çekme ve toplama bağlantıları için gerekli aygıtlar sağlanmışsa, bunların bağlı olduğundan ve doğru şekilde kullanıldığından emin olun.**
Toz toplama kullanımı, tozla ilişkili tehlikeleri azaltabilir.

4) Elektrikli aletin kullanımı ve bakımı

- Elektrikli aleti zorlamayın.** Yapacağınız iş için doğru alet kullanın.
Doğru alet, işinizi daha iyi ve tasarlanmış olduğu hız değerinde daha güvenli şekilde yapacaktır.
- Elektrikli alet güç düğmesinden açılıp kapanmıyorsa, aleti kullanmayın.**
Güç düğmesiyle kontrol edilemeyen bir alet tehlikelidir ve tamir edilmeden kullanılmamalıdır.
- Herhangi bir ayar yapmadan, aksesuarları değiştirmeden veya aleti saklamadan önce fişi güç kaynağından ve/veya akü ünitesinden sökün.**
Bu koruyucu güvenlik önlemleri, elektrikli aletin kazayla çalışma riskini azaltır.
- Atıl durumdaki elektrikli aletleri çocukların ulaşamayacağı bir yerde saklayın ve elektrikli alet ve bu kullanım talimatları hakkında bilgi sahibi olmayan kişilerin aleti kullanmasına izin vermeyin.**
Elektrikli aletler eğitimsiz kullanıcıların elinde tehlikelidir.
- Elektrikli aletin bakımını yapın.** Hareketli parçalarda yanlış hizalanma veya sıkışma olup olmadığını, kırık parça olup olmadığını ve elektrikli aletin çalışmasını etkileyebilecek diğer koşulları kontrol edin.
Eğer hasar varsa, kullanmadan önce aleti tamir ettirin.
Kazaların çoğu elektrikli aletlere kötü bakım işlemleri uygulanmasından kaynaklanmaktadır.
- Aletleri keskin ve temiz tutun.**
Uygun şekilde bakımı yapılan, keskin kenarlara sahip aletlerin sıklıkla ihtimali daha azdır ve kontrol edilmesi daha kolaydır.
- Elektrikli aleti, aksesuarları, uçları, v.b., bu talimatlara uygun şekilde, çalışma koşullarını ve yapılacak işi göz önünde bulundurarak kullanın.**
Elektrikli aletin amaçlanan kullanımlardan farklı işlemler için kullanılması tehlikeli bir duruma yol açabilir.

5) Servis

- Elektrikli aletinizin servisini sadece orijinal yedek parçalar kullanmak suretiyle uzman bir tamirciye yaptırın.**
Böylece, elektrikli aletin güvenli kullanımı sağlanacaktır.

ÖNLEM

Çocukları ve zayıf kişileri uzak tutun.

Alet, kullanılmadığı zamanlarda çocukların ve zayıf kişilerin ulaşamayacağı bir yerde saklanmalıdır.

DARBELİ MATKAP GÜVENLİK UYARILARI

1. Darbeli matkaplarla kulak koruyucu kullanın. Gürültüye maruz kalma işitme kaybına yol açabilir.

ÖZELLİKLER

Voltaj (alanlara göre)*		(110V, 220V, 230V, 240V) ~	
Güç girişi		690 W*	
Hız değiştirme		1	2
Yüksüz hız	İleri devir	0 – 1000 dak ⁻¹	0 – 3000 dak ⁻¹
	Ters devir	0 – 600 dak ⁻¹	0 – 1800 dak ⁻¹
Kapasite	Çelik	13 mm	8 mm
	Beton	18 mm	13 mm
	Tahta	40 mm	25 mm
Tam yüklü darbe oranı		8400 dak ⁻¹	27300 dak ⁻¹
Ağırlık (kablolu)		2,0 kg	

* Bölgelere göre değişiklik gösterdiğinden ürün üzerindeki etiketi kontrol edin.

STANDART AKSESUARLAR

- (1) Mandren Anahtarı (Yalnızca anahtarlı mandren için) ... 1
 - (2) Yan kol 1
 - (3) Derinlik ölçme aleti 1
- Standart aksesuarlarda haber verilmeksizin değişiklik yapılabılır.

İSTEĞE BAĞLI AKSESUARLAR (ayrı satılır)

- (1) Darbeli Matkap Ucu (beton için)
3,2 mm – 18 mm çap.
İsteğe bağlı aksesuarlarda haber verilmeksizin değişiklik yapılabılır.

UYGULAMALAR

- DEVR ve DARBE hareketi birlikte:
Sert malzemelerde delik açma (beton, mermer, granit, karolar gibi)
- DEVR hareketi ile:
Metal, tahta ve plastik malzemelerde delik açma.

İŞLEMEN ÖNCE

1. **Güç kaynağı**
Kullanılacak güç kaynağının ürün etiketinde belirtilen güç şartlarına uygun olduğundan emin olun.
2. **Güç anahtarı**
Güç anahtarının KAPALI konumunda olduğundan emin olun. Güç anahtarı AÇIK konumundayken fiş prize takıldığında takım hemen çalışmaya başlar ve ciddi kazalara neden olabilir.

2. **Aletle gelen yardımcı kolları kullanın.**
Aletin kontrolden çıkması yaralanmalara sebep olabilir.
3. Duvarlar, tavanlar ya da zeminler üzerinde delme işi yapmadan önce geldiğiniz yerin arkasında elektrik kablosu olmadığından emin olun.
4. Yan kolu her zaman kullanın ve takımı iki elinizle sıkıca tutun.
5. Darbeli matkabı darbeli delme işlerinde her zaman saat yönünde devirle kullanın. (Şekil. 10)

3. Uzatma kablosu

Çalışma alanı güç kaynağından uzak olduğunda yeterli kalınlık ve kapasitede bir uzatma kablosu kullanın. Uzatma kablosu mümkün olduğunca kısa tutulmalıdır.

4. Uygun matkap ucunu seçme

- Beton ya da taş delerken
İsteğe Bağlı Aksesuarlar kısmında belirtilen matkap uçlarını kullanın.
- Metal ya da plastik delerken
Metal ileri için kullanılan normal matkap ucu kullanın.
- Tahta delerken
Tahta işleri için kullanılan normal matkap ucu kullanın. Ancak, 6,5 mm ya da bundan daha küçük çapta delikler delerken metal işleri için kullanılan bir matkap ucu kullanın.

5. Matkap ucunun takılması ve sökülmesi

Anahtarlı mandren için (Şekil. 1)

- (1) Mandren azn açın ve matkap ucunu mandrenin içine yerleştirin.
- (2) Mandren anahtarını mandrendeki deliğin her birine yerletin ve saat yönünde çevirin (önden görünüm). İyice sıkın.
- (3) Matkap ucunu sökme için mandren anahtarını mandrendeki deliklerden birine takın ve saatin ters yönünde çevirin.

Anahtarsız mandren için (Şekil. 2)

- (1) Matkap ucunu takma
Manşonu saatin ters yönünde çevirin ve mandreni açın. Matkap ucunu mandrenin içine iyice girecek şekilde yerleştirdikten sonra tutucu halkayı tutun ve manşonu önden görüldüğü şekilde saat yönünde çevirerek mandreni kapatın.
- (2) Matkap ucunu sökme
Tutucu halkayı tutun ve manşonu saatin ters yönünde çevirerek mandreni açın.

NOT

Manşon daha fazla gevşemediğinde yan kolu, tutucu halkaya sabitleyin, kolu sıkıca tutun ve elle gevşetmek için manşonu çevirin. (Şekil. 3)

6. Dönme yönünün kontrol edilmesi (Şekil. 4)

İtme düğmesinin R tarafına basıldığında matkap ucu saat yönünde döner (yandan bakıldığında). İtme düğmesinin L tarafına basıldığında matkap ucu saat yönünün tersine döner.

(L) ve (R) işaretleri matkap gövdesinde yer alır.)

DIKKAT

Darbeli matkabı darbeli delme işlerinde her zaman saat yönünde devirle kullanın.

7. Yan kolu takma (Şekil. 5)

Yan kolu montaj parçasına takın.

Kolu sıkılmak için saat yönünde çevirin.

Yan kolu yapılacak işleme uygun bir konuma ayarlayın ve iyice sıkın.

Derinlik ölçme aletini yan kola takmak için aleti yan kolda bulunan U şeklindeki oluğa yerleştirin, istenen delik derinliğine göre aleti ayarlayın ve yan kolu iyice sıkın. (Şekil. 6)

8. DARBELİDEN DEVİRLİ çalışmaya geçiş (Şekil. 7)

Değiştirme kolunu sağ sol arasında kaydırarak DARBELİ (devirli ve darbeli) çalışmayla DEVİRLİ (yalnızca devirli) çalışma arasında kolayca geçiş yapabilirsiniz.

Beton, taş ve karo gibi sert malzemelerde delik açmak için değiştirme kolunu sağa kaydırın (T işareti ile belirtilen).

Matkap ucu darbe ve dönme hareketini birlikte gerçekleştirir.

Metal, tahta ve plastik gibi malzemelerde delik açmak için değiştirme kolunu sola kaydırın (D işareti ile belirtilen). Matkap ucu elektrikli normal matkaplarda olduğu gibi yalnızca dönme hareketi yapar.

DIKKAT

○ Delinecek malzeme yalnızca dönme hareketiyle delinebiliyorsa Darbeli Matkabı DARBELİ seçeneğinde kullanmayın. Bu, delme işlemi verimsiz kılmakla kalmayıp matkap ucunun zarar görmesine de neden olabilir.

○ Darbeli Matkabı değiştirme kolu ortadayken çalıştırırsanız matkap zarar görebilir. Değiştirme yaparken kolu doğru konuma getirdiğinizden emin olun.

9. Yüksek hız/Düşük hız değişikliği:

Hızı değiştirmeden önce, anahtarın KAPALI konumda olduğundan ve matkabın tam olarak durduğundan emin olun.

Hızı değiştirmek için vites düğmesini Şekil. 8'da görülen ok yönünde çevirin. Matkabın üzerinde girintili olarak yazılmış "1" sayısı düşük hızı, "2" sayısı ise yüksek hızı ifade eder.

Vites deitirme dmesi zor dönüyorsa mandreni sağa ya da sola hafifçe çevirip vites deitirme dmesini tekrar çevirin.

KULLANIM**1. Düğmelerin kullanımı**

○ Tetiğe basıldığında takım dönmeye başlar. Tetik bırakıldığında takımın dönmesi durur.

○ Matkabın dönme hızı tetiğe basma şiddetiyle kontrol edilebilir. Tetiğe hafif basıldığında hız düşük, sert basıldığında ise yüksek olur.

- İstenilen dönme hızı hız kontrol düğmesi yardımıyla önceden seçilebilir. Daha yüksek hızlar için hız kontrol düğmesini saat yönünde, daha düşük hızlar için ise saat yönünün tersine çevirin. (Şekil. 9)
- Tetiğe ve derinlik mesnedine aynı anda bastığınızda açık konumu korunur. Sürekli çalışma için bu konum uygundur. Kapatırken tetiğe basmak suretiyle derinlik mesnedi çıkartılabilir.

DIKKAT

Matkap ucunun dönme yönünü değiştirmek için itme düğmesinin L tarafına basılırsa derinlik mesnedi kullanılamaz.

2. Delme

- Delme işlemi yaparken matkabı yavaşça altrn ve hızı giderek artırın.
- Her zaman matkap ucuyla aynı eksen üzerinde baskı uygulayın. Delme işlemine yetecek oranda baskı uygulayın, motoru durduracak ya da matkap ucunu zedeleyecek kadar çok itmeyin.
- Motorun durmasını ya da malzemenin kırılmasını engellemek için matkaba uyguladığınız baskıyı azaltın ve deliğin son kısmında matkap ucunu zorlamayın.
- Matkap durursa tetiği hemen bırakın, matkap ucunu delikten çıkartın ve işe yeniden başlayın. Duran motoru çalıştırmak için tetiğe basıp bırakmayın. Bu, matkaba zarar verebilir.
- Matkap ucunun çapı büyüdükçe kolunuzu binen yük de artar.

Bu yükten dolayı matkabın kontrolünü kaybetmemeye dikkat edin.

Matkabı sıkı tutabilmek için ayaklarınızı yere sağlam basın, yan kolu kullanın, matkabı iki elinizce sıkıca tutun ve matkabın delinen malzemeye dik olduğundan emin olun.

BAKIM VE GÖZDEN GEÇİRME**1. Matkap uçlarının gözden geçirilmesi**

Aşınmış matkap uçlarının kullanılması motorun zarar görmesine ve verimin azalmasına neden olacağından matkap uçlarını yenileriyle değiştirin ya da aşınmayı fark ettiğinizde gecikmeden uçları keskinleştirin.

2. Montaj vidalarının gözden geçirilmesi

Tüm montaj vidalarını düzenli olarak kontrol edin ve gerekli sıklıkta olduklarından emin olun. Vidalardan herhangi biri gevşek ise hemen sıkın. Bunu yapmadığınız takdirde ciddi hasarlar meydana gelebilir.

3. Motorun bakımı

Dönme hareketini sağlayan motor, takımın "bel kemiğidir". Motorun hasar görmesini ve/veya yağ ya da su ile ıslanmasını önlemek için gerekli bakımı yapın.

4. Karbon fırçaların gözden geçirilmesi

Güvenliğinizi sağlamak için ve elektrik şokuna karşı koruma sağlamak amacıyla bu takım üzerindeki karbon fırçaların gözden geçirilmesi ve değiştirilmesi YALNIZCA Hitachi yetkili Servis Merkezi tarafından yapılmalıdır.

5. Servis parçaları listesi

- A: Parça no.
- B: Kod no.
- C: Kullanılan sayı
- D: Açıklamalar

DİKKAT

Hitachi Güç Takımlarının onarımı, modifikasyonu ve gözden geçirilmesi Hitachi yetkili Servis Merkezi tarafından yapılmalıdır.

Hitachi yetkili Servis Merkezine tamir ya da bakım amacıyla başvurulduğunda Parça Listesinin takım ile birlikte verilmesi faydalı olacaktır.

Güç takımlarının çalıştırılması ve bakımlarının yapılması esnasında her ülke için belirtilen güvenlik düzenlemelerine ve standartlarına uyulması gerekmektedir.

DEĞİŞİKLİKLER

Hitachi Ağır İş Aletleri en son teknolojik ilerlemelere uygun olarak sürekli değiştirilmekte ve geliştirilmektedir. Dolayısıyla, bazı kısımlarda (örneğin kod numaraları ve/veya tasarım gibi) önceden bildirimde bulunulmadan değişiklik yapılabilir.

GARANTİ

Hitachi Elektrikli El Aletlerine ülkelere özgü hukuki düzenlemeler çerçevesinde garanti vermekteyiz. Bu garanti, yanlış veya kötü kullanım, normal aşınma ve yıpranmadan kaynaklanan arıza ve hasarları kapsamamaktadır. Şikayet durumunda, Elektrikli El Aleti, sökülmemiş bir şekilde, bu kullanım kılavuzunun sonunda bulunan GARANTİ BELGESİYLE birlikte bir Hitachi yetkili servis merkezine gönderilmelidir.

NOT

HITACHI'nin sürdürdüğü araştırma ve geliştirme programının bir parçası olarak burada belirtilen özellikler önceden haber verilmeksizin değiştirilebilir.

Havadan yayılan gürültü ve titreşimle ilgili bilgiler

Ölçülen değerlerin EN60745 ve ISO 4871'e uygun olduğu tespit edilmiştir.

Ölçülmüş A-ağırlıklı ses gücü seviyesi: 110 dB (A)
Ölçülmüş A-ağırlıklı ses basınç seviyesi: 99 dB (A)
Belirsiz KpA: 3dB (A)

Kulak koruma cihazı takın.

EN60745'e göre belirlenen toplam vibrasyon değerleri (üç eksenli vektör toplamı).

Darbeli matkap beton delerken:

Vibrasyon emisyon değeri $a_h, I_D = 16,0 \text{ m/s}^2$

Belirsizlik $K = 1,8 \text{ m/s}^2$

DİKKAT

- Elektrikli aletin kullanımı sırasında vibrasyon emisyonu aletin kullanma şekline bağlı olarak belirtilen değerden farklılık gösterebilir.
- Gerçek kullanım koşullarında tahmini maruz kalma hesabını esas alarak (kullanım süresine ilave olarak aletin kapatıldığı ve rölantide çalıştığı zamanlarda çalışma çevriminde yer alan tüm parçaları dikkate almak suretiyle) operatörü korumak için gerekli güvenlik önlemlerini belirlemek için.

ОБЩИЕ ПРАВИЛА БЕЗОПАСНОСТИ ПРИ РАБОТЕ С ЭЛЕКТРОИНСТРУМЕНТОМ

⚠ ПРЕДУПРЕЖДЕНИЕ

Прочтите все правила безопасности и инструкции.

Не выполнение правил и инструкций может привести к поражению электрическим током, пожару и/или серьезной травме.

Сохраняйте все правила и инструкции на будущее.

Термин "электроинструмент" в контексте всех мер предосторожности относится к эксплуатируемому Вами электроинструменту с питанием от сетевой розетки (с сетевым шнуром) или электроинструменту с питанием от аккумуляторной батареи (беспроводному).

1) Безопасность на рабочем месте

a) Поддерживайте чистоту и хорошее освещение на рабочем месте.

Беспорядок и плохое освещение приводят к несчастным случаям.

b) Не используйте электроинструменты во взрывоопасных окружающих условиях, например, в непосредственной близости огнеопасных жидкостей, горючих газов или легковоспламеняющейся пыли.

Электроинструменты порождают искры, которые могут воспламенить пыль или испарения.

c) Держите детей и наблюдающих на безопасном расстоянии во время эксплуатации электроинструмента.

Отвлечение внимания может стать для Вас причиной потери управления.

2) Электробезопасность

a) Сетевые вилки электроинструментов должны соответствовать сетевой розетке.

Никогда не модифицируйте штепсельную вилку никоим образом.

Не используйте никакие адаптерные переходники с заземленными (замкнутыми на землю) электроинструментами.

Немодифицированные штепсельные вилки и соответствующие им сетевые розетки уменьшат опасность поражения электрическим током.

b) Не прикасайтесь телом к заземленным поверхностям, например, к трубопроводам, радиаторам, кухонным плитам и холодильникам.

Если Ваше тело соприкоснется с заземленными поверхностями, возрастет опасность поражения электрическим током.

c) Не подвергайте электроинструменты действию воды или влаги.

При попадании воды в электроинструмент возрастет опасность поражения электрическим током.

d) Правильно обращайтесь со шнуром. Никогда не переносите электроинструмент, взявшись за шнур, не тяните за шнур и не дергайте за шнур с целью отсоединения электроинструмента от сетевой розетки. Располагайте шнур подальше от источников тепла, нефтепродуктов, предметов с острыми кромками и движущихся деталей.

Поврежденные или запутанные шнуры увеличивают опасность поражения электрическим током.

e) При эксплуатации электроинструмента вне помещений, используйте удлинительный шнур, предназначенный для использования вне помещения.

Использование шнура, предназначенного для работы вне помещений, уменьшит опасность поражения электрическим током.

f) При эксплуатации электроинструмента во влажной среде, используйте устройство защитного отключения (RCD) источника питания.

Использование RCD уменьшит опасность поражения электрическим током.

3) Личная безопасность

a) Будьте готовы к неожиданным ситуациям, внимательно следите за своими действиями и руководствуйтесь здравым смыслом при эксплуатации электроинструмента.

Не используйте электроинструмент, когда Вы устали или находитесь под влиянием наркотиков, алкоголя или лекарственных препаратов.

Мгновенная потеря внимания во время эксплуатации электроинструментов может привести к серьезной травме.

b) Используйте индивидуальные средства защиты. Всегда надевайте средства защиты глаз.

Защитное снаряжение, например, противопылевая респиратор, защитная обувь с нескользкой подошвой, защитный шлем-каска или средства защиты органов слуха, используемые для соответствующих условий, уменьшат травмы.

c) Избегайте непреднамеренного включения двигателя. Убедитесь в том, что выключатель находится в положении выключения перед подниманием, переноской или подсоединением к сетевой розетке и/или портативному батарейному источнику питания.

Переноска электроинструментов, когда Вы палец держите на выключателе, или подсоединение электроинструментов к сетевой розетке, когда выключатель будет находиться в положении включения, приводит к несчастным случаям.

d) Снимите все регулировочные или гаечные ключи перед включением электроинструмента.

Гаечный или регулировочный ключ, оставленный прикреплённым к вращающейся детали электроинструмента, может привести к получению травмы.

e) Не теряйте устойчивость. Все время имейте точку опоры и сохраняйте равновесие.

Это поможет лучше управлять электроинструментом в непредвиденных ситуациях.

f) Одевайтесь надлежащим образом. Не надевайте просторную одежду или ювелирные изделия. Держите волосы, одежду и перчатки как можно дальше от движущихся частей.

Просторная одежда, ювелирные изделия или длинные волосы могут попасть в движущиеся части.

g) Если предусмотрены устройства для присоединения приспособлений для отвода и сбора пыли, убедитесь в том, что они присоединены и используются надлежащим образом.

Использование данных устройств может уменьшить опасности, связанные с пылью.

4) Эксплуатация и обслуживание электроинструментов

a) Не перегружайте электроинструмент. Используйте надлежащий для Вашего применения электроинструмент.

Надлежащий электроинструмент будет выполнять работу лучше и надежнее в том режиме работы, на который он рассчитан.

- b) Не используйте электроинструмент с неисправным выключателем, если с его помощью нельзя будет включить и выключить инструмент.

Каждый электроинструмент, которым нельзя управлять с помощью выключателя, будет представлять опасность, и его будет необходимо отремонтировать.

- c) Отсоедините штепсельную вилку от источника питания и/или портативный батарейный источник питания от электроинструмента перед началом выполнения какой-либо из регулировок, перед сменой принадлежностей или хранением электроинструментов.

Такие профилактические меры безопасности уменьшат опасность непреднамеренного включения двигателя электроинструмента.

- d) Храните неиспользуемые электроинструменты в недоступном для детей месте, и не разрешайте людям, не знающим как обращаться с электроинструментом или не изучившим данное руководство, работать с электроинструментом.

Электроинструменты представляют опасность в руках неподготовленных пользователей.

- e) Содержите электроинструменты в исправности. Проверьте, нет ли несоосности или заедания движущихся частей, повреждения деталей или какого-либо другого обстоятельства, которое может повлиять на функционирование электроинструментов.

При наличии повреждения отремонтируйте электроинструмент перед его эксплуатацией.

Большое количество несчастных случаев связано с плохим обслуживанием электроинструментов.

- f) Содержите режущие инструменты остро заточенными и чистыми.

Надлежащим образом содержащиеся в исправности режущие инструменты с острыми режущими кромками будут меньше заедать и будут легче в управлении.

- g) Используйте электроинструмент, принадлежности, насадки и т.п. в соответствии с данным руководством, принимая во внимание условия и объем выполняемой работы.

Использование электроинструмента для выполнения работ не по прямому назначению может привести к опасной ситуации.

- 5) Обслуживание

- a) Обслуживание Вашего электроинструмента должно выполняться квалифицированным представителем ремонтной службы с использованием только идентичных запасных частей.

Это обеспечит сохранность и безопасность электроинструмента.

МЕРА ПРЕДОСТОРОЖНОСТИ

Держите подальше от детей и немощных людей.

Если инструменты не используются, их следует хранить в недоступном для детей и немощных людей месте.

МЕРЫ ПРЕДОСТОРОЖНОСТИ ПРИ РАБОТЕ С УДАРНОЙ ДРЕЛЬЮ

1. Одевайте наушники во время работы с ударной дрелью.
Воздействие шума может привести к потере слуха.
2. Используйте ручки, прилагаемые к инструменту.
Потеря контроля над инструментом может привести к травме.
3. Перед тем, как сверлить стены, потолки или полы, убедитесь в отсутствии скрытых в них электрических проводов.
4. Всегда пользуйтесь боковой рукояткой и крепко держите инструмент обоими руками.
5. Используя ударную дрель в ударном режиме, всегда применяйте вращение по часовой стрелке. (Рис. 10)

ХАРАКТЕРИСТИКИ

Напряжение (по регионам)*		(110 В, 220 В, 230 В, 240 В) ~	
Потребляемая мощность		690 Вт*	
Изменение скорости		1	2
Скорость без нагрузки	Вращение вперед	0 – 1000 об. мин. ⁻¹	0 – 3000 об. мин. ⁻¹
	Вращение назад	0 – 600 об. мин. ⁻¹	0 – 1800 об. мин. ⁻¹
Мощность	Сталь	13 мм	8 мм
	Бетон	18 мм	13 мм
	Дерево	40 мм	25 мм
Скорость ударов при полной нагрузке		8400 об. мин. ⁻¹	27300 об. мин. ⁻¹
Масса (без шнура)		2,0 кг	

* Обязательно проверьте паспортную табличку на изделии, поскольку для разных регионов оно различно.

СТАНДАРТНЫЕ ПРИНАДЛЕЖНОСТИ

- (1) Ключ патрона (указ. только для патрона с ключом) 1
 (2) Боковая рукоятка 1
 (3) Ограничитель глубины 1
 Стандартные принадлежности могут изменяться без уведомления.

ДОПОЛНИТЕЛЬНЫЕ ПРИНАДЛЕЖНОСТИ (продаются отдельно)

- (1) Ударное сверло (для бетона)
 диам. 3,2 мм – 18 мм
 Дополнительные принадлежности могут изменяться без уведомления.

ОБЛАСТЬ ПРИМЕНЕНИЯ

- При совместном использовании ВРАЩАТЕЛЬНОГО и УДАРНОГО действия: Сверление отверстий в твердых материалах (бетон, мрамор, гранит, кафель и т.п.)
- С использованием ВРАЩАТЕЛЬНОГО действия: Сверление отверстий в металлах, дереве и пластмассе.

ПОДГОТОВКА К ЭКСПЛУАТАЦИИ

1. Источник электропитания

Проследите за тем, чтобы используемый источник электропитания соответствовал требованиям к источнику электропитания, указанному на паспортной табличке изделия.

2. Переключатель питания

Убедитесь в том, что переключатель питания находится в положении OFF (ВЫКЛ.). Если вставить штепсель в розетку, когда переключатель питания находится в положении ON (ВКЛ.), инструмент сразу начнет работать, что может стать причиной серьезной травмы.

3. Удлинитель

Когда рабочая область удалена от источника питания, пользуйтесь удлинителем достаточной площади поперечного сечения и номинальной нагрузки. Удлинитель должен быть как можно более коротким.

4. Выбор подходящего сверла

- При сверлении бетона или камня Используйте сверла, указанные в пункте Дополнительные принадлежности.
- При сверлении металла или пластмассы Используйте обычное сверло для работ по металлу.
- При сверлении дерева Используйте обычное сверло для работ по дереву. Однако при сверлении отверстий диаметром 6,5 мм или менее используйте сверло для работ по металлу.

5. Установка и снятие сверла

Для патрона с ключом (Рис. 1)

- (1) Раскройте губки патрона и вставьте сверло в патрон.
- (2) Вставьте ключ патрона в каждое из трех отверстий патрона и поверните его по часовой стрелке (если смотреть спереди). Туго затяните его.
- (3) Чтобы вынуть сверло, вставьте ключ патрона в каждое из трех отверстий патрона и поверните его против часовой стрелки.

Для патрона без ключа (Рис. 2)

- (1) Как установить сверло Поверните гильзу против часовой стрелки и разожмите патрон. Вставив сверло в патрон до отказа, закрепите фиксирующее кольцо и зажмите патрон, повернув гильзу по часовой стрелке, если смотреть спереди.
- (2) Как вынуть сверло Закрепите фиксирующее кольцо и разожмите патрон, повернув гильзу против часовой стрелки.

ПРИМЕЧАНИЕ

Если ослабить гильзу больше не удастся, прикрепите к фиксирующему кольцу боковую рукоятку, а затем, крепко держа боковую рукоятку, поверните и ослабьте гильзу вручную. (Рис. 3)

6. Проверьте направление вращения (Рис. 4)

Сверло вращается по часовой стрелке (если смотреть сзади), когда кнопка нажата с правой стороны (R). Чтобы сверло вращалось против часовой стрелки, кнопку следует нажимать с левой стороны (L). (Знаки (L) и (R) нанесены на корпус.)

ПРЕДОСТЕРЕЖЕНИЕ

Используя ударную дрель в ударном режиме, всегда применяйте вращение по часовой стрелке.

7. Как закрепить боковую рукоятку (Рис. 5)

Присоедините боковую рукоятку к крепежной детали. Чтобы закрепить боковую рукоятку, вращайте зажим боковой рукоятки по часовой стрелке.

Установите боковую рукоятку, чтобы она была удобна в работе, а затем надежно затяните зажим боковой рукоятки.

Чтобы закрепить на боковой рукоятке ограничитель глубины, вставьте ограничитель глубины в П-образный паз боковой рукоятки, отрегулируйте положение ограничителя глубины в соответствии с необходимой глубиной отверстия и туго затяните зажим боковой рукоятки. (Рис. 6)

8. Переключение с УДАРА на ВРАЩЕНИЕ (Рис. 7)

Чтобы легко изменить режим работы на УДАР (удар и вращение) или на ВРАЩЕНИЕ (только вращение), переведите рычаг изменения соответственно вправо и влево.

Чтобы сверлить отверстия в твердых материалах, например бетоне, камне или кафеле, переведите рычаг изменения в правое положение (помеченное знаком **T**).

Ударное и вращательное действия сверла совмещаются.

Чтобы сверлить отверстия в металле, дереве и пластмассе, переведите рычаг изменения в левое положение (помеченное знаком **⤴**). Тогда сверло совершает только вращательное движение, как в случае с обычной электродрелью.

ПРЕДОСТЕРЕЖЕНИЕ

- Не используйте ударную дрель с функцией IMPACT (УДАР), если просверлить материал можно только в режиме вращения. Такое действие не только ухудшит качество сверла, но и может привести в негодность кончик сверла.
- Эксплуатация ударной дрели при среднем положении рычага изменения может привести к выходу ее из строя. При включении убедитесь, что Вы перевели рычаг изменения в правильное положение.

9. Переключение высокой/низкой скорости:

Перед изменением скорости убедитесь, что переключатель переведен в положение OFF (ВЫКЛ.) и что дрель полностью остановилась.

Чтобы изменить скорость, поверните диск переключения передачи, как показано на Рис. 8. Число "1", нанесенное на корпус дрели, означает низкую скорость, а число "2" означает высокую скорость.

Если поворачивать диск переключения передачи тяжело, слегка прокрутите патрон в каком-либо направлении, а затем снова поверните диск переключения передачи.

КАК ПОЛЬЗОВАТЬСЯ

1. Работа переключателя

- При нажатой пусковой кнопке инструмент вращается. При отпущенной пусковой кнопке инструмент останавливается.
- Скорость вращения сверла можно изменять мерой нажатия пусковой кнопки. При слабо нажатой пусковой кнопке скорость низкая, а при более сильном нажатии пусковой кнопки скорость увеличивается.
- Нужную скорость вращения можно заранее выбрать с помощью диска регулирования скорости. Для увеличения скорости поворачивайте диск регулирования по часовой стрелке, а для уменьшения скорости – против часовой стрелки. (Рис. 9)
- Нажав стопор при нажатой пусковой кнопке, можно зафиксировать включенное состояние, удобное при непрерывной работе. При выключении стопор можно отключить, повторно нажав пусковую кнопку.

ПРЕДОСТЕРЕЖЕНИЕ

Если кнопка нажата с левой стороны (L), воспользоваться стопором нельзя.

2. Сверление

- Запускайте дрель медленно, постепенно при сверлении наращивая скорость.
- Направляйте усилие всегда по одной линии со сверлом. Прикладывайте давление, достаточное, чтобы продолжать сверлить, но не нажимайте настолько, чтобы остановить двигатель или выгнуть сверло.
- Чтобы минимизировать остановки и торможение в материале, уменьшите давление на дрель и легко проведите сверло через последнюю часть отверстия.
- Если дрель остановится, сразу же отпустите пусковую кнопку, выньте сверло из заготовки и начните снова. Не нажимайте пусковую кнопку в попытке снова запустить остановившуюся дрель. Это может привести к выходу дрели из строя.
- Чем больше диаметр сверла, тем сильнее будет отдача в руку. Будьте осторожны, чтобы из-за этой отдачи не потерять контроль над дрелью. Чтобы сохранить контроль, станьте в хорошую стойку, используйте боковую рукоятку, прочно держите дрель обеими руками и убедитесь, что сверло перпендикулярно к материалу, в котором надо сверлить отверстие.

ОБСЛУЖИВАНИЕ И ПРОВЕРКА

1. Проверка сверла

Поскольку использование стертого сверла приводит к неисправности двигателя и снижению эффективности, при выявлении стирания немедленно замените или заточите сверло.

2. Проверка крепежных винтов

Регулярно проверяйте все крепежные винты и старайтесь, чтобы они были хорошо затянуты. При ослаблении какого-либо винта немедленно затяните его. Если этого не сделать, может возникнуть серьезная опасность.

3. Обслуживание двигателя

Обмотка блока двигателя – это самое "сердце" инструмента. Выполняйте необходимый уход, чтобы обмотка не повредилась, не намокла в воде или масле.

4. Проверка угольных щеток

Чтобы обеспечить Вашу безопасность и защитить от поражения электрическим током, осмотр и замену угольных щеток этого инструмента следует проводить ТОЛЬКО в авторизованном сервисном центре Hitachi.

5. Порядок записей по техобслуживанию

- A: пункт №
- B: код №
- C: количество применений
- D: замечания

ПРЕДОСТЕРЕЖЕНИЕ

Ремонт, модификацию и осмотр механизированного инструмента фирмы Hitachi следует проводить в авторизованном сервисном центре Hitachi.

Этот перечень запасных частей пригодится при предоставлении его вместе с инструментом в авторизованный сервисный центр Hitachi с запросом на ремонт или прочее обслуживание.

При работе и обслуживании механизированных инструментов нужно соблюдать правила и стандарты безопасности, действующие в каждой данной стране.

ЗАМЕЧАНИЕ

Фирма HITACHI непрерывно работает над усовершенствованием своих изделий, поэтому мы сохраняем за собой право на внесение изменений в технические характеристики, упомянутые в данной инструкции по эксплуатации, без предупреждения об этом.

ГАРАНТИЯ

Мы гарантируем соответствие автоматических инструментов Hitachi нормативным/национальным положениям. Данная гарантия не распространяется на дефекты или ущерб, возникший вследствие неправильного использования или ненадлежащего обращения, а также нормального износа. В случае подачи жалобы отправляйте автоматический инструмент в неразобранном состоянии вместе с ГАРАНТИЙНЫМ СЕРТИФИКАТОМ, который находится в конце инструкции по обращению, в авторизованный центр обслуживания Hitachi.

ПРИМЕЧАНИЕ

Поскольку фирма Hitachi постоянно ведет программу исследования и развития, приведенные здесь характеристики могут изменяться без предварительного уведомления.

Информация, касающаяся создаваемого шума и вибрации

Измеряемые величины были определены в соответствии с EN60745 и заявлены в соответствии с ISO 4871.

Измеренный средневзвешенный уровень звуковой мощности: 110 дБ(А)

Измеренный средневзвешенный уровень звукового давления: 99 дБ(А)

Погрешность КрА: 3 дБ (А)

Надевайте наушники.

Общие значения вибрации (сумма векторов триаксиального кабеля) определяются в соответствии с EN60745.

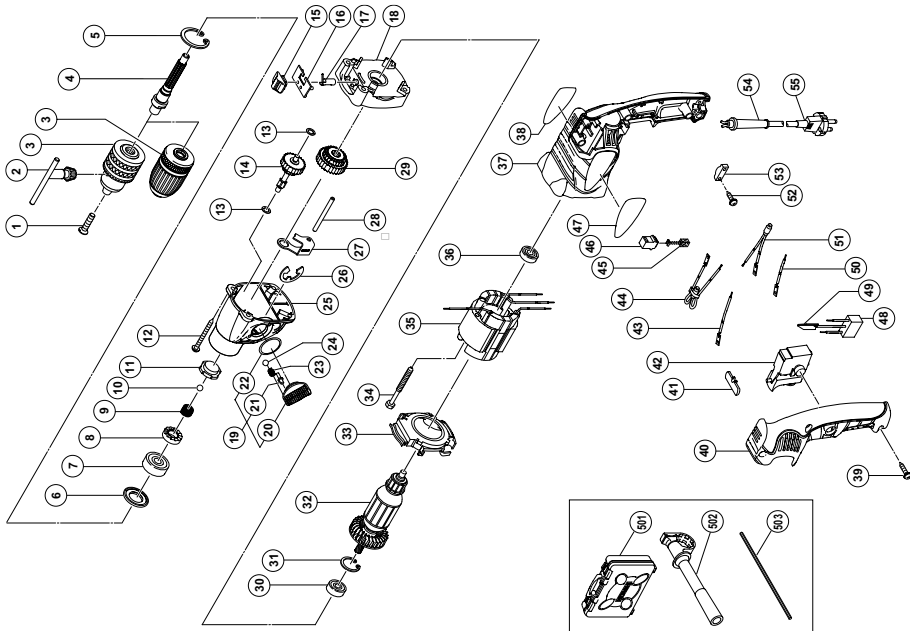
Работа ударной дрелью в бетон:

Величина вибрации **a_h, I_D** = 16,0 м/с²

Погрешность К = 1,8 м/с²

ПРЕДУПРЕЖДЕНИЕ

- Величина вибрации во время фактического использования инструмента может отличаться от указанного значения, в зависимости от способа использования инструмента.
- Определить меры предосторожности, чтобы защитить оператора, которые основаны на расчете воздействия при фактических условиях использования (принимая во внимание все периоды цикла эксплуатации кроме времени запуска, то есть когда инструмент выключен, работает на холостом ходу).



A	B	C	D
40	322-862	1	
41	322-853	1	
42	322-854	1	
43	321-630	1	100L
44	322-517	1	220V-240V
44	322-518	1	"GBR (110V)"
45	999-041	2	
46	955-203	2	
47	---	1	
48	994-273	1	
49	992-635	1	
50	321-631	1	55L
51	321-634	1	110V-240V
51	322-519	1	"GBR (110V)"
52	984-750	2	D4x16
53	937-631	1	
54	953-327	1	D8.8
55	---	1	
501	---	1	
502	---	1	
503	303-709	1	

A	B	C	D
1	995-344	1	M6x25
2	987-576	1	
31	321-814	1	13VLRB-D
32	322-357	1	13VLRH-N
4	322-857	1	
5	939-556	1	
6	322-851	1	
7	620-2DD	1	620DDCMPS2L
8	322-850	1	
9	984-101	1	
10	959-150	1	D6.35
11	322-845	1	
12	316-321	4	D5x45
13	322-852	2	
14	322-858	1	
15	322-841	1	
16	322-842	1	
17	322-840	1	
18	322-859	1	
19	322-847	1	"20-22"
20	---	1	
21	322-848	1	
22	306-353	1	S-22
23	981-328	1	
24	319-535	1	D3.5
25	322-844	1	"11"
26	---	1	
27	322-849	1	
28	322-860	1	D5
29	322-846	1	
30	608-DDM	1	608DDC2PS2L
31	939-553	1	
32	1 360-654C	1	110V
32	360-654E	1	220V-230V
32	360-654F	1	240V
33	322-843	1	
34	981-824	2	D4x45
35	1 340-589C	1	110V
35	2 340-589E	1	220V-230V
35	3 340-589F	1	240V
36	608-VVM	1	608VVC2PS2L
37	322-861	1	
38	---	1	
39	301-653	3	D4x20

<p>English</p> <p><u>GUARANTEE CERTIFICATE</u></p> <ol style="list-style-type: none"> ① Model No. ② Serial No. ③ Date of Purchase ④ Customer Name and Address ⑤ Dealer Name and Address (Please stamp dealer name and address) 	<p>Magyar</p> <p><u>GARANCIA BIZONYLAT</u></p> <ol style="list-style-type: none"> ① Típuszám ② Sorozatszám ③ A vásárlás dátuma ④ A Vásárló neve és címe ⑤ A Kereskedő neve és címe (Kérjük ide elhelyezni a Kereskedő nevének és címének pecsétjét)
<p>Deutsch</p> <p><u>GARANTIESCHEIN</u></p> <ol style="list-style-type: none"> ① Modell-Nr. ② Serien-Nr. ③ Kaufdatum ④ Name und Anschrift des Kunden ⑤ Name und Anschrift des Händlers (Bitte mit Namen und Anschrift des Handlers abstempeln) 	<p>Čeština</p> <p><u>ZÁRUČNÍ LIST</u></p> <ol style="list-style-type: none"> ① Model č. ② Série č. ③ Datum nákupu ④ Jméno a adresa zákazníka ⑤ Jméno a adresa prodejce (Prosíme o razítko se jménem a adresou prodejce)
<p>Ελληνικά</p> <p><u>ΠΙΣΤΟΠΟΙΗΤΙΚΟ ΕΓΓΥΗΣΗΣ</u></p> <ol style="list-style-type: none"> ① Αρ. Μοντέλου ② Αύξων Αρ. ③ Ημερομηνία αγοράς ④ Όνομα και διεύθυνση πελάτη ⑤ Όνομα και διεύθυνση μεταπωλητή (Παρακαλούμε να χρησιμοποιηθεί σφραγίδα) 	<p>Türkçe</p> <p><u>GARANTİ SERTİFİKASI</u></p> <ol style="list-style-type: none"> ① Model No. ② Seri No. ③ Satın Alma Tarihi ④ Müşteri Adı ve Adresi ⑤ Bayi Adı ve Adresi (Lütfen bayi adını ve adresini kaşe olarak basın)
<p>Polski</p> <p><u>GWARANCJA</u></p> <ol style="list-style-type: none"> ① Model ② Numer seryjny ③ Data zakupu ④ Nazwa klienta i adres ⑤ Nazwa dealera i adres (Pieczęć punktu sprzedaży) 	<p>Русский</p> <p><u>ГАРАНТИЙНЫЙ СЕРТИФИКАТ</u></p> <ol style="list-style-type: none"> ① Модель № ② Серийный № ③ Дата покупки ④ Название и адрес заказчика ⑤ Название и адрес дилера (Пожалуйста, внесите название и адрес дилера)



HITACHI

①	
②	
③	
④	
⑤	



Hitachi Power Tools Österreich GmbH

Str. 7, Objekt 58/A6, Industriezentrum NÖ –Süd 2355
Wiener Neudorf, Austria
Tel: +43 2236 64673/5
Fax: +43 2236 63373

Hitachi Power Tools Hungary Kft.

1106 Bogancsvirag U.5-7, Budapest, Hungary
Tel: +36 1 2643433
Fax: +36 1 2643429
URL: <http://www.hitachi-powertools.hu>

Hitachi Power Tools Polska Sp.z o.o.

ul. Kleszczowa27
02-485 Warszawa, Poland
Tel: +48 22 863 33 78
Fax: +48 22 863 33 82
URL: <http://www.hitachi-elektronarzedzia.pl>

Hitachi Power Tools Czech s.r.o.



Videnska 102,619 00 Brno, Czech
Tel: +420 547 426 598
Fax: +420 547 426 599
URL: <http://www.hitachi-powertools.cz>

Hitachi Power Tools Netherlands B.V. Moscow Branch

Kashirskoye Shosse Dom 65, 4F
115583 Moscow, Russia
Tel: +7 495 727 4460 or 4462
Fax: +7 495 727 4461
URL: <http://www.hitachi-pt.ru>

Hitachi Power Tools Romania

Str Sf. Gheorghe nr 20-Ferma, Pantelimon, Jud. Llifov
Tel: +031 805 25 77
Fax: +031 805 27 19

<p>English</p> <p>EC DECLARATION OF CONFORMITY</p> <p>We declare under our sole responsibility that this product is in conformity with standards or standardized documents EN60745, EN55014 and EN61000 in accordance with Council Directives 2004/108/EC and 98/37/EC. This product also complies with the essential requirements of 2006/42/EC to be applied from 29 December 2009.</p> <p>This declaration is applicable to the product affixed CE marking.</p>	<p>Magyar</p> <p>EÜ MEGFELELŐSÉGI NYILATKOZAT</p> <p>Teljes felelősségünk tudatában kijelentjük, hogy ez a termék megfelel az EN60745, EN55014, és EN 61000 szabványoknak illetve szabványosított dokumentumoknak, az Európa Tanács 2004/108/EC, és 98/37/EC Tanácsi Direktíváival összhangban. A termék ezen kívül megfelel a 2006/42/EC követelményeinek, melyeket 2009. December 29.-étől kell alkalmazni.</p> <p>Jelen nyilatkozat a terméken feltüntetett CE jelzésre vonatkozik.</p>
<p>Deutsch</p> <p>ERKLÄRUNG ZUR KONFORMITÄT MIT CE-REGELN</p> <p>Wir erklären mit alleiniger Verantwortung, daß dieses Produkt den Standards oder standardisierten Dokumenten EN60745, EN55014 und EN61000 in Übereinstimmung mit den Direktiven des Europarats 2004/108/CE und 98/37/CE entspricht. Dieses Produkt hält auch die wesentlichen Anforderungen von 2006/42/CE ein, die ab 29. Dezember 2009 gelten werden.</p> <p>Diese Erklärung gilt für Produkte, die die CE-Markierung tragen.</p>	<p>Čeština</p> <p>PROHLÁŠENÍ O SHODĚ S CE</p> <p>Prohlašujeme na svoji zodpovědnost, že tento výrobek odpovídá normám EN60745, EN55014 a EN61000 v souladu se směrnicemi 2004/108/EC a 98/37/EC. Tento výrobek rovněž vyhovuje základním požadavkům 2006/42/EC platných od 29. prosince 2009.</p> <p>Toto prohlášení platí pro výrobek označený značkou CE.</p>
<p>Ελληνικά</p> <p>ΕΚ ΔΗΛΩΣΗ ΕΝΑΡΜΟΝΙΣΜΟΥ</p> <p>Δηλώνουμε με απόλυτη υπευθυνότητα ότι αυτό το προϊόν είναι εναρμονισμένο με τα πρότυπα ή τα έγγραφα προτύπων EN60745, EN55014 και EN61000 σε συμφωνία με τις Οδηγίες του Συμβουλίου 2004/108/ΕΚ και 98/37/ΕΚ. Αυτό το προϊόν είναι επίσης σύμφωνο με τις βασικές απαιτήσεις του 2006/42/ΕΚ που εφαρμόζονται από τις 29 Δεκεμβρίου 2009.</p> <p>Αυτή η δήλωση ισχύει στο προϊόν με το σημάδι CE.</p>	<p>Türkçe</p> <p>AB UYGUNLUK BEYANI</p> <p>Bu ürünü, 2004/108/EC ve 98/37/EC sayılı Konsey Direktiflerine uygun olarak, EN60745, EN55014 ve EN61000 sayılı standartlara ve standartlaştırılmış belgelere uygun olduğunu, tamamen kendi sorumluluğumuz altında beyan ederiz. Bu ürün, aynı zamanda 29 Aralık 2009 tarihinden itibaren uygulanacak olan 2006/42/EC No'lu Konsey Direktifinin temel şartlarına da uygundur.</p> <p>Bu beyan, üzerinde CE işareti bulunan ürünler için geçerlidir.</p>
<p>Polski</p> <p>DEKLARACJA ZGODNOŚCI Z EC</p> <p>Oznajmiamy z całkowitą odpowiedzialnością, że produkt ten pozostaje w zgodzie ze standardami lub standardową formą dokumentów EN60745, EN55014 i EN61000 w zgodzie z Zasadami Rady 2004/108/EC i 98/37/EC. Ten produkt spełnia także wymogi Dyrektywy 2006/42/EC, które wchodzą w życie z dniem 29 grudnia 2009 r.</p> <p>To oświadczenie odnosi się do załączonego produktu z oznaczeniami CE.</p>	<p>Русский</p> <p>ДЕКЛАРАЦИЯ СООТВЕТСТВИЯ ЕС</p> <p>Мы с полной ответственностью заявляем, что данное изделие соответствует стандартам или стандартизованным документам EN60745, EN55014 и EN61000 согласно Директивам Совета 2004/108/ЕС и 98/37/ЕС. Этот продукт соответствует главным требованиям 2006/42/ЕС от 29 декабря 2009 г.</p> <p>Данная декларация относится к изделиям, на которых имеется маркировка CE.</p>
<p>Representative office in Europe Hitachi Power Tools Europe GmbH Siemensring 34, 47877 Willich 1, F. R. Germany</p> <p>Head office in Japan Hitachi Koki Co., Ltd. Shinagawa Intercity Tower A, 15-1, Konan 2-chome, Minato-ku, Tokyo, Japan</p> <p style="text-align: center;"></p> <p style="text-align: right;">30. 4. 2009</p> <p style="text-align: right;"> K. Kato Board Director</p>	

 **Hitachi Koki Co., Ltd.**