

Acer LCD Monitor Quick Start Guide (QSG)

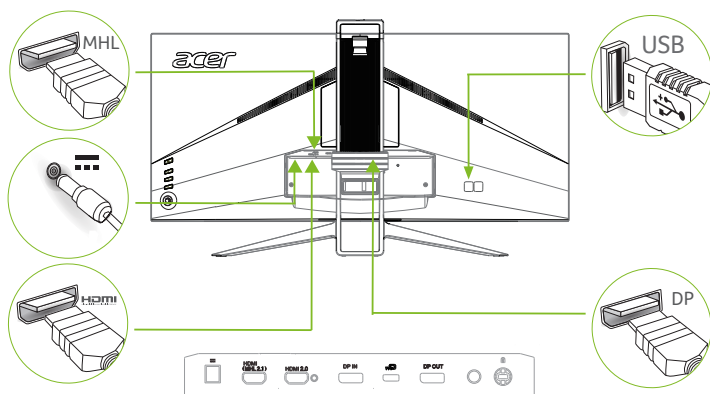
Important safety instructions

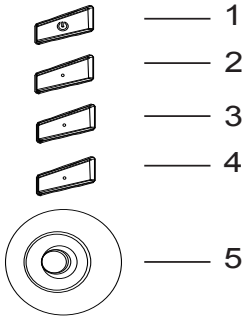
Please read the following instructions carefully.

- To clean the LCD monitor screen:
 - Turn off the LCD monitor and unplug the power cord.
 - Spray a non-solvent cleaning solution onto a rag and clean the screen gently.
- Do not place the LCD monitor near a window. Exposing the monitor to rain, moisture or sunlight can severely damage it.
- Do not apply pressure to the LCD screen. Excessive pressure may cause permanent damage to the display.
- Do not remove the cover or attempt to service this unit yourself. An authorized technician should perform servicing of any nature.
- Store the LCD monitor in a room with a temperature of -20° to 60° C (-4° to 140° F). Storing the LCD monitor outside this range may result in permanent damage.
- Immediately unplug your monitor and call an authorized technician if any of the following circumstances occur:
 - Monitor-to-PC signal cable is frayed or damaged.
 - Liquid spills onto the LCD monitor or the monitor is exposed to rain.
 - The LCD monitor or case is damaged.
- In order to prevent damage to the LCD panel, do not place the monitor face down on a surface.

Connecting your monitor to a computer

- Turn off your computer and unplug your computer's power cord.
- Connect the signal cable to the HDMI (optional) and /or DP (optional) and /or MHL (optional) input socket of the monitor, and the HDMI (optional) and /or DP (optional) and /or MHL (optional) output socket of the graphics card on the computer. Then tighten the thumbscrews on the signal cable connector.
- USB 3.1 Type C-C Cable(Optional, USB Type C-C input models only)
Connect one end of the USB 3.1 Type C-C cable (optional) to your computer and connect the other end to your electric devices.
- Insert the monitor power cable into the power port at the back of the monitor.
- Connect the power adapter and power cord to the monitor, then to a properly grounded AC outlet.





External controls

1	Power button	Turns the monitor on/off. Blue indicates power on. Amber indicates standby/ power saving mode.
2	Function key 	<ol style="list-style-type: none"> Press to view Main page. Press again to enter hotkey1 function. When the Function Menu is active, press this key to view the basic information for your monitor and current input or reset the custom color settings to the factory defaults.
3	Function key 	<ol style="list-style-type: none"> Press to view Main page. Press again to enter hotkey2 function. When the Function Menu is active, press this button to select select scenario mode or game mode .
4	Function key 	<ol style="list-style-type: none"> Press to view Main page. Press again to enter Input select function. When the Function Menu is active, this button will quit the OSD.
5	Function key 	<ol style="list-style-type: none"> Press to view Main page. Press again to enter next function in the Function Menu. The single toggle button on the backside of the Display bezel operates like a joystick. To move the cursor, simply toggle the button in four directions. Press the button to select desired option. Red indicates operable. Grey indicates inoperable.

AdaptiveSync(XR342CK):

It can allow a AdaptiveSync supported graphics source to dynamically adjust display refresh rate based on typical content frame rates for power efficient, virtually stutter free and low-latency display update.

Free-Sync(XR382CQK):

It can allow a Free-Sync supported graphics source to dynamically adjust display refresh rate based on typical content frame rates for power efficient, virtually stutter free and low-latency display update.

DTS Sound:



For DTS patents, see <http://patents.dts.com>. Manufactured under license from DTS Licensing Limited. DTS, the Symbol, & DTS and the Symbol together are registered trademarks, and DTS Sound is a trademark of DTS, Inc. © DTS, Inc. All Rights Reserved.

Regulations and safety notices

FCC notices

This device has been tested and found to comply with the limits for a Class B digital device pursuant to Part 15 of the FCC rules. These limits are designed to provide reasonable protection against harmful interference in a residential installation. This device generates, uses, and can radiate radio frequency energy and, if not installed and used in accordance with the instructions, may cause harmful interference to radio communications. However, there is no guarantee that interference will not occur in a particular installation. If this device does cause harmful interference to radio or television reception, which can be determined by turning the device off and on, the user is encouraged to try to correct the interference by one or more of the following measures:

- Reorient or relocate the receiving antenna.
- Increase the separation between the device and receiver.
- Connect the device into an outlet on a circuit different from that to which the receiver is connected.
- Consult the dealer or an experienced radio/television technician for help.

CE declaration of conformity

Hereby, Acer Inc., declares that this LCD monitor is in compliance with the essential requirements and other relevant provisions of EMC Directive 2014/30/EU, Low Voltage Directive 2014/35/EU, and RoHS Directive 2011/65/EU and Directive 2009/125/EC with regard to establishing a framework for the setting of ecodesign requirements for energy-related product.

Notice: Shielded cables

All connections to other computing devices must be made using shielded cables to maintain compliance with EMC regulations.

Notice: Peripheral devices

Only peripherals (input/output devices, terminals, printers, etc.) certified to comply with the Class B limits may be attached to this equipment. Operation with non-certified peripherals is likely to result in interference to radio and TV reception.

Caution

Changes or modifications not expressly approved by the manufacturer could void the user authority, which is granted by the Federal Communications Commission, to operate this product. In order to prevent damage to the monitor, do not lift the monitor by its base.

Operation conditions

This device complies with Part 15 of the FCC Rules. Operation is subject to the following two conditions: (1) this device may not cause harmful interference, and (2) this device must accept any interference received, including interference that may cause undesired operation.

Notice: Canadian users

CAN ICES-3(B)/NMB-3(B)

Restriction on Hazardous Substances statement (India)

This product complies with the "India E-waste Rule" and prohibits use of lead, mercury, hexavalent chromium, polybrominated biphenyls or polybrominated diphenyl ethers in concentrations exceeding 0.1 weight % and 0.01 weight % for cadmium, except for the exemptions set in Schedule 2 of the Rule.

Disposal of waste equipment by user in private household in the European Union



This symbol on the product or on its packaging indicates that this product must not be disposed of with your other household waste. Instead, it is your responsibility to dispose of your waste equipment by handing it over to a designated collection point for the recycling of waste electrical and electronic equipment. The separate collection and recycling of your waste equipment at the time of disposal will help to conserve natural resources and ensure that it is recycled in a manner that protects human health and the environment. For more information about where you can drop off your waste equipment for recycling, please contact your local city office, your household waste disposal service or the shop where you purchased the product.

SPECIFICATION (XR342CK)

LCD Panel	Driving system	TFT Color LCD	
	Size	34 "W (87cm)	
	Pixel pitch	0.233mm(H) x 0.233mm(V)	
	Brightness	300cd/m ² (Typical)	
	Contrast	100,000,000:1Max. (ACM)	
	Viewable angle (Typical)	172° (H) 178° (V) (CR≥10)	
	Response time	5ms (GTG, Typical)	
	Panel Type	In-Plane Switching	
	Video	Digital Interface	
	H-Frequency	30K-120KHz(HDMI)/120-120KHz(DP)/30-99KHz(MHL)	
	V-Frequency	30-75Hz(HDMI)/48-75Hz(DP)/23-80Hz(MHL)	
Display Colors	1.07B Colors		
Dot Clock	600MHz(HDMI&DP)/300MHz(Type C)		
Max. Resolution	3440x1440 @75Hz		
Plug & Play	VESA DDCCI/DDC2B		
Energy Efficiency Class	B		
*Annual Energy Consumption(Typical)	80 (kWh) (for HDMI-input Model)		
Power consumption @200cd/m ²	ON Mode	52W(typ.)	
	Sleep Mode	0.5W(typ.)	
	Off	0.48W(typ.)	
Input Connector	DP (Only DP Model) MHL 2.1(Only MHL 2.1Model) USB 3.1 Type C (Gen1)(Only Type C model) HDMI 2.0(Only HDMI 2.0 model) USB Hub / USB3.0 x 4 (Only USB Hub Model)		
Input Video Signal	DP signal(Only DP-Input Model) HDMI signal(Only HDMI-Input Model) USB 3.1 Type C (Gen1)(Only Type C model)		
Speakers(Typical)	7W x 2		
Maximum Screen Size	Horizontal:799.8mm Vertical:334.8mm		
Power Source	100-240V~, 50/60Hz		
Environmental Considerations	Operating Temp: 5° to 35°C Storage Temp: -20° to 60°C Operating Humidity: 10% to 85%		
Dimensions	816.2 (W) x 435.5-565.5(H) x 309(D)mm		
Weight (N. W.)	9.7kg Unit (net)		
Mechanism spec	Tilt: -5° to +35° Swivel: -30° to +30° Height adjustment: 130mm Detachable foot stand: Yes		
External Controls:	Functions	Brightness Contrast Black Boost Blue Light ACM Super Sharpness Gamma Colour Temp sRGB mode 6-axis Hue 6-axis Saturate Volume DTS Over Drive Aim point Language	OSD Timeout Transparency Refresh rate num Input Auto Source Daisy Chain DP Format Wide Mode PIP/PBP Ambient Light Hot Key Assignment DDC/CI HDMI Black level Quick start mode DP ALT Mode Power-off USB charge Game mode

* All specifications are subject to change without notice.

Find manuals and other documents for your Acer product on the official Acer support website.

*Annual energy consumption is calculated using the typical power consumption 4 hours per day, 365 days per year.

SPECIFICATION (XR382CQK)

LCD Panel	Driving system	TFT Color LCD	
	Size	37.5 "W (95.29cm)	
	Pixel pitch	0.229mm(H) x 0.229mm(V)	
	Brightness	300cd/m ² (Typical)	
	Contrast	100,000,000:1Max. (ACM)	
	Viewable angle(Typical)	178° (H) 178° (V) (CR≥10)	
	Response time	5ms (GTG, Typical)	
	Panel Type	In-Plane Switching	
	Video	Digital Interface	
	H-Frequency	30K-130KHz(HDMI)/130K-130KHz (DP)/30K-99KHz(MHL)	
	V-Frequency	30-75Hz(HDMI)/48-75Hz(DP)/23-80Hz(MHL)	
Display Colors	1.07B Colors		
Dot Clock	600MHz(HDMI&DP) / 180MHz(MHL)		
Max. Resolution	3840x1600 @75Hz		
Plug & Play	VESA DDCI/DC2B		
Energy Efficiency Class	B		
*Annual Energy Consumption(Typical)	85 (kWh) (for HDMI-input Model)		
Power consumption @200cd/m ²	ON Mode	58W(typ.)	
	Sleep Mode	0.5W(typ.)	
	Off	0.48W(typ.)	
Input Connector	DP (Only DP Model) Type-C (Only Type-C Model) MHL 2.1(Only MHL 2.1 Model) HDMI 2.0(Only HDMI 2.0 model) USB Hub / USB3.0 x 4 (Only USB Hub Model)		
Input Video Signal	DP signal(Only DP-Input Model) HDMI signal(Only HDMI-Input Model) Type-C signal (Only Type-C Model)		
Speakers(Typical)	7W x 2		
Maximum Screen Size	Horizontal:879.7mm Vertical:366.5mm		
Power Source	100-240V~, 50/60Hz		
Environmental Considerations	Operating Temp: 5° to 35°C Storage Temp: -20° to 60°C Operating Humidity: 10% to 85%		
Dimensions	896.88 (W) x 461.77~587.69(H) x 309(D)mm		
Weight (N. W.)	10.9kg Unit (net)		
Mechanism spec	Tilt: -5° to +35° Swivel: -30° to +30° Height adjustment: 130mm Pivot: No Detachable foot stand: Yes		
	Functions	Brightness Contrast Black Boost Blue Light ACM Super Sharpness Gamma Colour Temp sRGB mode 6-axis Hue 6-axis Saturate Volume DTS Over Drive Aim point Language OSD Timeout Transparency Refresh rate num Input Auto Source Daisy Chain DP Format Wide Mode PIP/PBP Ambient Light Hot Key Assignment DDC/CI HDMI Black level Quick start mode DP ALT Mode Power-off USB charge Game mode	
* All specifications are subject to change without notice.			

Find manuals and other documents for your Acer product on the official Acer support website.

*Annual energy consumption is calculated using the typical power consumption 4 hours per day, 365 days per year.