

**Serie | 6, Built-in oven, 60 x 60 cm,
Black
HBG5780B0**



Included accessories

1 x combination grid
1 x universal pan

Optional accessories

HEZ317000 : Pizza pan, grey enamelled
HEZ327000 : Pizza stone
HEZ531010 : Baking tray, non-stick ceramic coated
HEZ538000 : 1fold telescopic rail, level independent
HEZ538200 : 2 level telescopic shelf rails

AutoPilot 10: perfect dishes thanks to 10 pre-set automatic programs

- **Pyrolytic self-cleaning:** no cleaning effort thanks to automatic self-cleaning.
- **Pop-out controls:** Make the front of the oven easy to clean and provide a sleek and stylish front.
- **AutoPilot 30:** every dish is a perfect success thanks to 30 pre-set automatic programmes.
- **LCD display control, white:** easy-to-use thanks to direct access to additional functions, temperature recommendation and temperature indication.
- **Cleaning Assistance:** less cleaning effort thanks to the new cleaning option, which should be used for light cleaning.

Technical Data

Color / Material Front : Black
Built-in / Free-standing : Built-in
Door opening : Drop down
Integrated Cleaning system : Pyrolytic+Hydrolytic
Control Panel Material : Glass
Door Material : Glass
Dimensions : 595 x 594 x 548 mm
Dimensions of the packed product (HxWxD) : 675 x 690 x 660 mm
Min. required niche size for installation (HxWxD) : 585-595 x 560-568 x 550 mm
Cavity dimensions : 357 x 480 x 415 mm
Usable volume of cavity : 71 l
Number of interior lights : 1
Net weight : 37.0 kg
Gross weight : 39.1 kg
EAN code : 4242005029228
Connection Rating : 3600 W
Fuse protection : true A
Voltage : 220-240 V
Frequency : 60; 50 Hz



Serie | 6, Built-in oven, 60 x 60 cm, Black HBG5780B0

AutoPilot 10: perfect dishes thanks to 10 pre-set automatic programs

Heating Functions

- Oven with 10 PC heating methods:
 - Low temperature / slow cooking
 - Defrost
 - Full width grill
 - Hotair gentle
 - 3D Hotair
 - Top/Bottom heating
 - Pizza setting
 - Bottom heating
 - Hot-air grilling
 - Keep warm
- Temperature range 30 °C - 275 °C
- Automatic rapid heat function
- AutoPilot Automatic programming, 30 PC automatic programs

Rails

- Number of shelf levels: 5
- Telescopic rails: 1 Clip-on rail, safety stop function

Design

- Cavity volume: 71 l
- Rotary Control Knobs, Retractable rotary control knobs, Round
- LED-display control (white)
- Extra large capacity oven with grey enamel
- Halogen lighting
- Full glass inner door
- Cooling fan

Cleaning

- Pyrolytic cleaning function
- Low door temperature during pyrolytic cleaning
- Cleaning Assistance - cleaning option for light residue

Convenience

- Electronic clock/timer with end time programming
- Bottom hinged door, Drop down oven door with SoftOpen and SoftClose,
- Automatic Temperature control for each function
 - Temperature control indicator
 - Automatic start function
 - AutoPilot Automatic programming
 - Sabbath function

Accessories

- combination grid, universal pan

Safety Features

- Maximum window temperature 30° C
- Child lock
- Residual heat indicator
- Automatic switch off
- Door lock

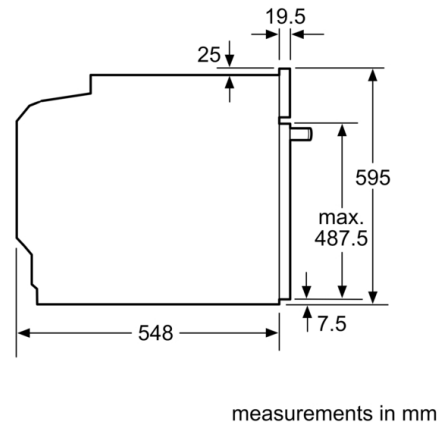
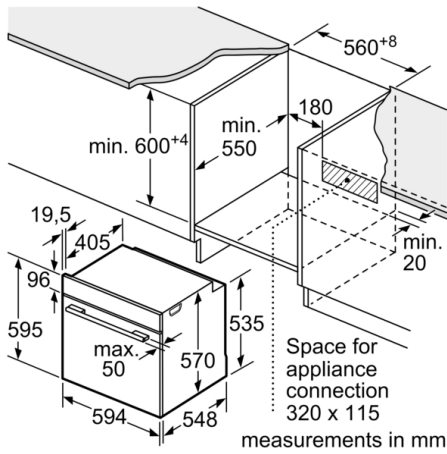
Technical Information

- Length of mains cable: 120 cm
- Nominal voltage: 220 - 240 V
- Total connected load electric: 3.6 KW

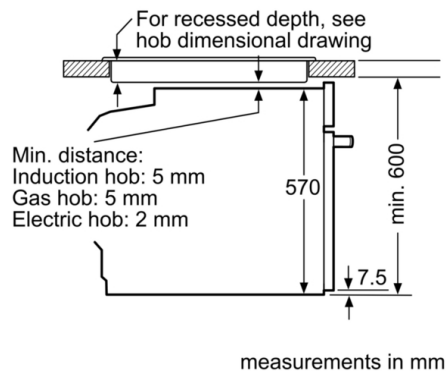
Dimensions:

- Appliance dimension (HxWxD): 595 mm x 594 mm x 548 mm
- Installation dimensions (HxWxD): 585 mm - 595 mm x 560 mm - 568 mm x 550 mm

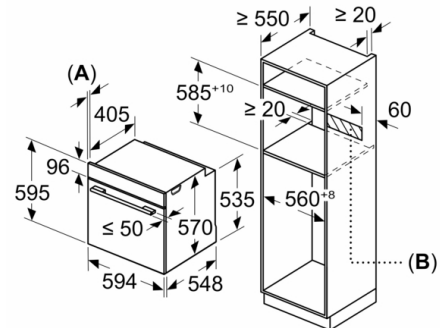
**Serie | 6, Built-in oven, 60 x 60 cm, Black
HBG5780B0**



Installation with a hob.



Measurements in mm



A: 19.5 mm
B: Space for appliance connection 320 x 115 mm