



VIEWBOARD

ViewBoard 8662

Key Features

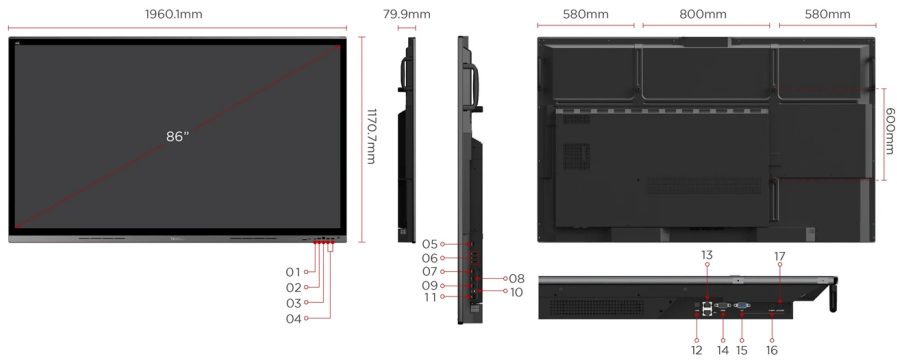
- Superb 4K UHD display panel with UFT+ technology, and 20-points multi-touch
- One-stop premium conference solution with compatible ViewSonic conference speakerphone and camera
- Comprehensive I/O ports, vCastSender, and myViewBoard display
- Built-in USB Type-C for simultaneous 65W fast charge and visual display
- Centralized IT management and content display by myViewBoard Manager



Product Description

ViewSonic ViewBoard 62 is an unparalleled large-format interactive display that propels collaborators to achieve effective and robust results. The bezel-less 4K UHD display panel is a gateway to a new visual quality and immersive meeting space. Indulge in the maximized precision of true-to-life handwriting strokes thanks to the UFT+ Technology, 20-points multi-touch with multi-grade pen pressure. Compatible with ViewSonic conference speakerphone (VB-AUD-201) and all-in-one video conference camera (VB-CAM-201) systems, The ViewBoard 62 boasts pristine audio and a pixel-perfect image, making it a powerful one-stop meeting station. Furthermore, it allows multiple connections, including comprehensive I/O ports, vCastSender, and myViewBoard Display, as well as built-in USB type-C ports supporting 65W fast charge and top-notch display at the same time. As an undoubted enhancement, the built-in myViewBoard Manager is an intuitive and effortless tool for IT and MIS systems that enables centralized IT control and multi-media presentation.





- | | | |
|--------------|--------------|---------------|
| 1. USB-C | 8. HDMI in 2 | 15. VGA |
| 2. HDMI In | 9. HDMI in 3 | 16. Audio in |
| 3. Touch out | 10. Touch | 17. Audio out |
| 4. USB-A | 11. USB-A | |
| 5. HDMI out | 12. SPDIF | |
| 6. USB-A | 13. LAN | |
| 7. HDMI in 1 | 14. RS232 | |

Visit Us www.viewsonic.com



DISPLAY

Panel Size:	86"
Panel Type:	TFT LCD Module with DLED Backlight
Display Area (mm):	1895.04 (H) x 1065.96 (V)
Aspect Ratio:	16:9
Resolution:	UHD 3840x2160(Pixels)
Colors:	1.07B colors (10bit)
Brightness:	350 nits (typ.), 300 nits (min)
Contrast Ratio:	1200:1 Typ., 5000:1 Max.(DCR enabled)
Response Time:	8ms
Viewing Angles:	H = 178, V = 178 typ.
Surface Treatment:	Hardness: 9H pencil
Bezel:	Top: 38.8 mm Bottom: 63.9 mm Left: 31.5 mm Right:31.5 mm

PLATFORM

Processor:	Dual core A73+Dual core A53
RAM:	3GB DDR4
Storage:	32GB eMMC

TOUCH

Type/ Tech:	Ultra Fine Touch Plus Technology (Projected Capacitive)
Touch Resolution:	32767 x 32767
Touch Point:	20

INPUT

HDMI:	2.0 x 4 (3840x2160 @60Hz, HDCP 2.2) (HDMI 1~3 support CEC)
RGB / VGA:	x1
Audio:	1x PC-Audio IN
MIC(Microphone):	Full band 6-element MEMS microphone array
RS232:	x1
OPS:	x1
WiFi:	x1

OUTPUT

HDMI:	x1 (1080P@60Hz / 3840x2160@60Hz)
Audio:	x1
SPDIF:	x1

LAN

RJ45:	x2
-------	----

USB

Type A:	2.0 x 1, 3.0 x 5
Type B:	x2 (for touch)
Type C:	x1 (DP1.4 ,USB 3.2 ,PD 65W, Ethernet 100M)

SPEAKERS

12W x 2 + 15W x 1 Subwoofer

BUNDLE SOFTWARE

Basic Annotation Software:	myViewBoard WhiteBoard for Android
Pro Annotation Software:	myViewBoard WhiteBoard for Windows (Embedded in Windows Slot-in PC)
Wireless Presentation:	ViewBoard Cast & myViewBoard Display

SPECIAL FEATURES

Simple LAN sharing between IFP and slot-in device:	Yes
--	-----

POWER

Voltage:	100-240VAC +/- 10% Wide Range
Consumption:	On:160W(typ.) / Off: <0.5W

OPERATING CONDITIONS

Temperature (° C):	0°C to 40°C
Humidity:	20% ~ 80% RH non-condensing

DIMENSIONS (W X H X D)

Physical (inch / mm):	77.2 x 46.1 x 3.1 in / 1960 x 1171 x 80 mm
Packaging (inch / mm):	83.2 x 50.8 x 10.6 in / 2113 x 1290 x 270 mm

WEIGHT

Net (lb / kg):	140.43 lb / 63.7 kg
Gross (lb / kg):	185.74 lb / 84.25 kg

REGULATIONS

cTUVus, FCC/ICES003, Energy star 8.0, EPEAT, Mexico NOM, Mexico Energy, EMC/CE, CB/LVD, GOST-R / EAC, UkrSEPRO, UKCA, LBL, Green BOM, RoHS, ErP, REACH, SCIP, WEEE, TPCH, CA65, PAIA

PACKAGE CONTENTS

1. Power cable
2. Remote control
3. AAA battery X2
4. USB cable Type C
5. Passive stylus x 2
6. Quick Start Guide
7. Compliance statement
8. RS232 adapter
9. Plate
10. Clamp x 5
11. Screw x 8
12. HDMI cable
13. Touch USB cable

COMPATIBLE SLOT-IN PC

VPC12-WPO, VPC2C-O, VPC25-O, VPC27-O series

