

HEINNER

TOASTER

Model: HTP-1400BKSS



- Toaster
- Power: 1400-1600W
- Capacity: 4 slices of bread

Thank you for choosing this product!

I. INTRODUCTION

Please read this instruction manual carefully before using it and keep it for later information

This manual is conceived for offering you all of the necessary info regarding installation, using and maintenance of the machine. For a correctly and safely use of the machine, please, read this manual before installation and using.

II. PACKAGE CONTENTS



- **Toaster**
- **Instruction Manual**
- **Warranty card**

III. SAFETY MEASURES

When using electrical appliances, basic safety precautions should always be followed including the following:

1. Read all instructions.
2. Before connecting the appliance to the power supply, check the voltage on the label corresponds with the voltage on you home, if this is not the case, please don't use the appliance and contact your dealer.
3. Do not touch hot surface. Use handles or knobs.
4. Allow the unit to cool completely before cleaning or storing.
5. Extreme caution must be used when operating the appliance containing hot oil or other hot liquids.
6. Use the appliance on a level and stable work surface.
7. To protect against electrical shock do not immerse cord, plugs, or (state specific parts or parts in question) in water or other liquid.
8. Close supervision is necessary when any appliance is used by or near children.
9. Unplug from outlet when not in use and before cleaning. Allow to cooling before putting on or taking off parts.
10. Do not operate any appliance with a damaged cord or plug or after the appliance malfunctions or has been damaged in any manner. Return appliance to the nearest authorized service facility for examination, repair or adjustment.
11. The use of accessory attachments not recommended by the appliance manufacturer may cause injuries.
12. Oversize food, metal foil packages, or utensils must not be inserted in a toaster as they may involve a risk of fire or electric shock.
13. A fire may occur if toasters are covered or touching flammable material, including curtains, draperies, walls, and the like, when in operation.
14. Do not attempt to dislodge food when toaster is plugged in.
15. Do not use outdoors.
16. Do not let cord hang over edge of table or counter or touch hot surface.
17. Do not place on or near a hot gas or electric burner, or in a heated oven.
18. Do not use the appliance for other than intended use.

SAVE THESE INSTRUCTIONS. HOUSEHOLD USE ONLY.

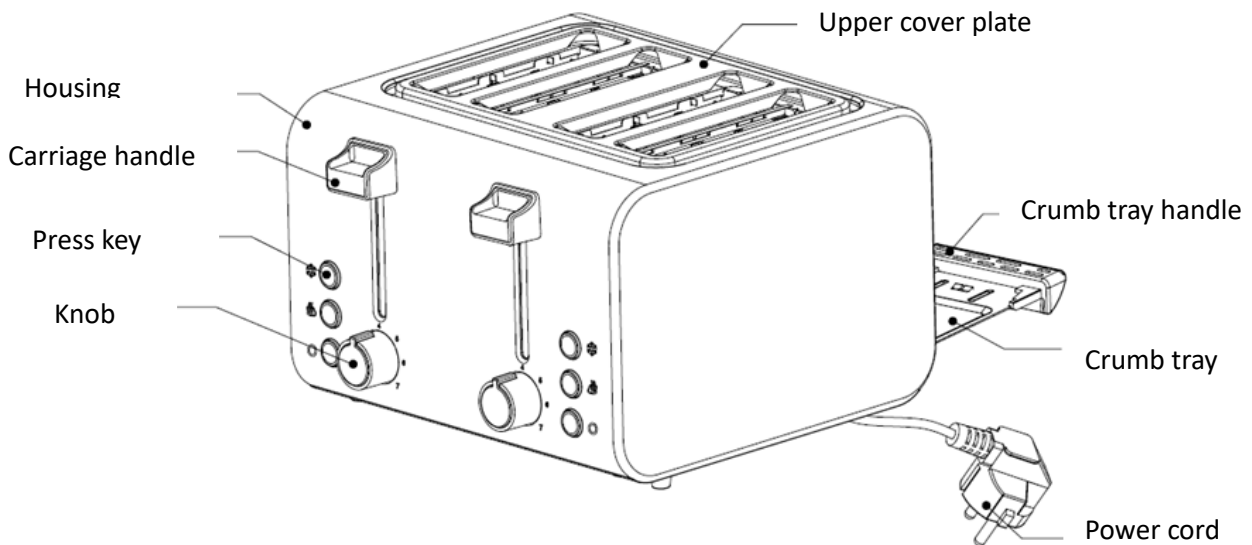
Notes on the cord plug

This appliance has a polarized plug (one blade is wider than the other). To reduce the risk of electric shock, this plug will fit in a polarized outlet only one way. If the plug does not fit fully into the outlet, reverse the plug. If it still does not fit, contact a qualified electrician. Do not modify the plug in any way.

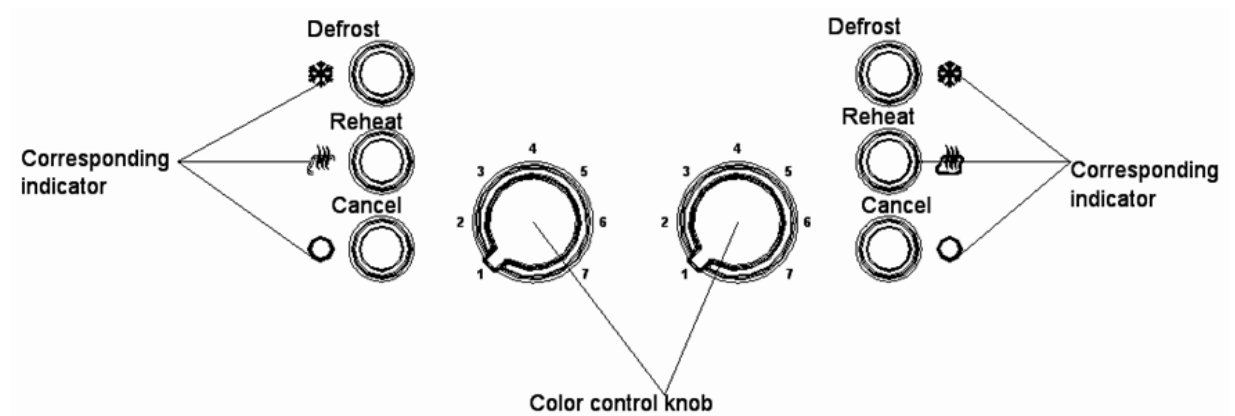
Notes on the cord

- a) A short power-supply cord (or detached power-supply cord) is to be provided to reduce risks resulting from becoming entangled in or tripping over a long cord.
- b) Longer detachable cord or extension cord are available and may be used if care is exercised in their use.
- c) If a long detachable power-supply cords or extension cord is used,
- d) The marked electrical rating of the detachable power-supply cord or extension cord should be at least as great as the electrical rating of the appliance, and.
- e) The cord should be arranged so that it will not drape over the countertop or tabletop where it can be pulled on by children or tripped over unintentionally.
- f) If the appliance is of the grounded type, the extension cord should be a grounding-type 3-wire cord.

IV. PRODUCT DESCRIPTION



V. DASH BOARD INTRODUCTION



VI. BEFORE FIRST USE

As there is manufacturing residue or oil remained in the toaster or heat element, it usually will emit the odor for the first use. It is normal and will not occur after several times use, for the first use it is suggested to operate according to the below steps, except without bread. Then let the toaster cool down and begin toasting the first slice.

VII. USING THE APPLIANCE

1. Put bread slice into the bread slot, it can be inserted four slices at most every time.

Note: 1. Make sure the crumb tray is completely positioned in place before using.

2. Plug the power cord into the outlet.

3. Set color control knob to your desired color. There is 7-position level, the lowest is set white and the highest is dark. The "3" position of control knob can toast the bread to golden color.

Note: 1. Toasting color for one slice is darker than that for double bread at the same level.

2. If toasted continuously, toasting color for the latter bread is darker than that for the anterior bread at the same level.

4. Press carriage handle down vertically until it is positioned in place, and toast will begin at once. Once the bread has been toasted to the preset color, the carriage handle will be automatically sprung up.

Note: 1. Toasting process can be terminated at any time by pressing the "Cancel" button.

2. Only the power supply is switching on, the carriage handle can rest on the bottom of slot.

5. During the toasted process, you may observe the toasting color, if it is satisfying, you press the "Cancel" button to cancel the operation at any time.

6. Once the bread has been toasted to the preset color, the carriage handle will automatically spring up.

8. If you want to reheat the cold toasted bread, press the "Reheat" button and the lamp beside it will be illuminated. In this mode toasting time is fixed, so long as time is running over, the carriage handle will automatically spring up and end up the reheating process.

8. If the bread has been taken out from refrigerator, press carriage handle down vertically until it is positioned in place, press "Defrost" button and the lamp beside it will be illuminated, in this mode it will be toasted to your desired color.

Caution:

1. If toaster starts to smoke, Press "Cancel" to stop toasting immediately.

2. Remove all protective wrapping prior to placing in toaster.

3. Avoid toasting the food with extremely runny ingredients such as butter.

4. Never attempt to remove bread jammed in the slots without unplugging the toaster from the electrical outlet first, be sure not to damage the internal mechanism or heating elements when removing bread.

The bread slot is only applicable for toasting regular bread slice, like the irregular bread or round bread, you can not toast it in the Bread slot.

VIII. CLEANING AND MAINTENANCE

1. Disconnect from AC outlet before cleaning.
2. Wipe the outside with soft dry cloth after toaster cools down, never use metal polish.
3. Pull out crumb tray on bottom of toaster and empty it. If toaster is used frequently, accumulated bread crumbs should be removed at least once a week. Make sure the crumb tray is completely closed before using the toaster again.

When not use or storage, the power cord may be wound under the bottom of toaster.

IX. TECHNICAL FICHE

Rated voltage	220-240 V
Rated frequency	50/60Hz
Power	1400 - 1600W



Environment friendly disposal

You can help protect the environment!

Please remember to respect the local regulations: hand in the non-working electrical equipment's to an appropriate waste disposal center.



HEINNER is a registered trademark of **Network One Distribution SRL**. Other brands and product names are trademarks or registered trademarks of their respective holders.

No part of the specifications may be reproduced in any form or by any means or used to make any derivative such as translation, transformation, or adaptation without permission from NETWORK ONE DISTRIBUTION.

Copyright © 2013 Network One Distribution. All rights reserved.

www.heinner.com, <http://www.nod.ro>

<http://www.heinner.com>, <http://www.nod.ro>



This product is in conformity with norms and standards of European Community

Importer: **Network One Distribution**

Marcel Iancu Street, no 3-5, Bucharest, Romania

Tel: +40 21 211 18 56, www.heinner.com, www.nod.ro