

HEINNER

SANDWICH MAKER

Model: SM-H2GW



- Sandwich maker
- Power: 700W

www.heinner.ro

Thank you for purchasing this product!

I. INTRODUCTION

Before using the appliance, please read carefully this instruction manual and keep it for future reference.

This instruction manual is designed to provide you with all required instructions related to the installation, use and maintenance of the appliance.

In order to operate the unit correctly and safety, please read this instruction manual carefully before installation and usage.

II. PACKAGE CONTENT

- Sandwich maker
- User manual
- Warranty card

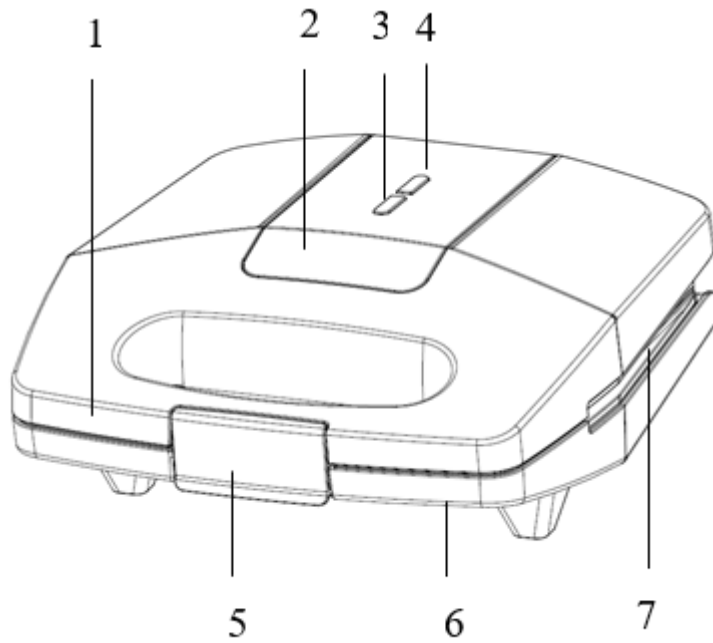


III. SAFETY INSTRUCTIONS

Make sure the voltage in your outlet is the same as the voltage indicated on the appliance's rating label.

- Use only for household.
- Do not touch hot Plates surfaces. Use handle.
- To protect against risk of electric shock, do not immerse the cord, plug or cooking unit in water or any other liquid.
- Close supervision is necessary when any appliance is used by or near children.
- Unplug from outlet when not in use and before cleaning. Allow to cool before putting on or taking off parts, and before cleaning appliance.
- Do not operate any appliance with a damaged has malfunctioned or has been damaged in any manner. In order to avoid the risk of an electric shock, never try to repair the Grill Toaster yourself. Take it to an authorized service station for examination and repair. An incorrect reassembly could present a risk of electric shock when the Grill Toaster is used.
- The use of accessory attachments not recommended by the manufacturer may result in fire, electrical shock, or risk of injury to persons.
- Do not use outdoors or for commercial purposes.
- Do not let power cord hang over the edge of the table or counter, or touch hot surfaces.
- Do not place on or near a hot gas or electric burner or heated oven.
- Do not intend to operate by means of an external timer or separate remote-control system.
- Unplug the unit when finished using.
- Extreme caution must be exercised when moving an appliance.

IV. DESCRIPTION



- 1. Handle
- 2. SUS Ornament sheet
- 3. Power light
- 4. Ready light
- 5. Handle lock
- 6. Bottom housing
- 7. Non-stick cooking plates



V. USING INSTRUCTIONS

BEFORE FIRST USE

Read all instructions carefully and keep them for future reference.

- Remove all packaging
- Clean the Cooking Plates by wiping a sponge or cloth dampened in warm water.

DO NOT IMMERSE THE UNIT AND DO NOT RUN WATER DIRECTLY ON THE COOKING SURFACES.

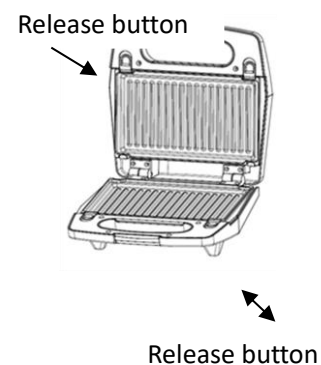
- Dry with a cloth or paper towel.
 - For best results, lightly coat the cooking plates with a little cooking oil or cooking spray.
- Notice: When your Grill Toaster is heated for the first time, it may emit slight smoke or odor. This is normal with many heating appliances. This does not affect the safety of your appliance.

HOW TO USE

- Close the Grill Toaster and plug it into the wall outlet, you will notice that the power and the ready light will go on, indicating that the Grill Toaster has begun preheating.
- It will take approximately 3~5 minutes to reach baking temperature, the ready light will go off.
- Open the lid, put the sandwich, meat or other foods on the bottom cooking plate.
- Close the lid. The ready light will go on again.
- Cook for about 3 to 6 minutes, the ready light goes off again, or until golden brown, adjusting the time to suit your own individual taste.
- When the foods is cooked use the handle to open the lid. Remove the foods with the help of a plastic spatula. Never use metal tongs or a knife as these can cause damage to the non-stick coating of the cook plates.
- Once you are finished cooking, disconnect the plug from the wall outlet and leave unit open to cool.

TO REMOVE COOKING PLATES

- Always unplug the Grill Toaster and allow it to cool before removing cooking plates.
- Open the Grill Toaster, locate the plate release buttons on front of the unit. Press firmly on button and the plate will pop up slightly from the base. Grasp the plate with two hands, slide it out from under the metal brackets, and lift it out of the bas. Press on the other plate release button to remove the other cooking plate in the sane manner.



VI. MAINTENANCE AND CLEANING

- Always unplug the Grill Toaster and allow it to cool before cleaning. The unit is easier to clean when slightly warm. There is no need to disassemble Grill Toaster for cleaning. Never immerse the Grill Toaster in water or place in dishwasher.
- The cooking plates can be cleaned in water or dishwasher.
- Wipe cooking plates with a soft to remove food residue. For baked on food residue squeeze some warm water mixed with detergent over the food residue then clean with a non-abrasive plastic scouring pad or place wet kitchen paper over the grill to moisten the food residue.
- Do not use anything abrasive that can scratch or damage the non-stick coating.
- Do not use metal utensils to remove your foods, they can damage the non-stick surface.
- Wipe the outside of the grill toaster with a damp cloth only. Do not clean the outside with any abrasive scouring pad or steel wool, as this will damage the finish. Do not immerse in water or any other liquid.
- Do not place in the dishwasher.
- Remove and empty the drip tray after each use and wash the tray in warm, soapy water. Avoid the use of scouring pads or harsh detergents as they may damage the surface. Rinse and dry thoroughly with a clean, soft cloth and replace.

STORAGE

- Always unplug the Grill Toaster before storage.
- Always make sure the Grill Toaster is cool and dry before storing.

VII. TECHNICAL DETAILS

Power	700W
Voltage	220-240V, 50/60Hz
Color	Grey



HEINNER is a registered trademark of **Network One Distribution SRL**. Other brands and product names are trademarks or registered trademarks of their respective holders.

No part of the specifications may be reproduced in any form or by any means or used to make any derivative such as translation, transformation, or adaptation without permission from NETWORK ONE DISTRIBUTION.

Copyright © 2013 Network One Distribution. All rights reserved.

www.heinner.com, <http://www.nod.ro>
<http://www.heinner.com>, <http://www.nod.ro>



Environment friendly disposal

You can help protect the environment!

Please remember to respect the local regulations: hand in the non-working electrical equipment's to an appropriate waste disposal center.



This product is in conformity with norms and standards of European Community.

Importer: **Network One Distribution**

Marcel Iancu Street, 3-5, Bucharest, Romania

Tel: +40 21 211 18 56, www.heinner.com, www.nod.ro