

# SIGURO

## Rice Cooker

Rice Cooker  
Reiskocher  
Rýžovar  
Ryžovar  
Rizsfőző

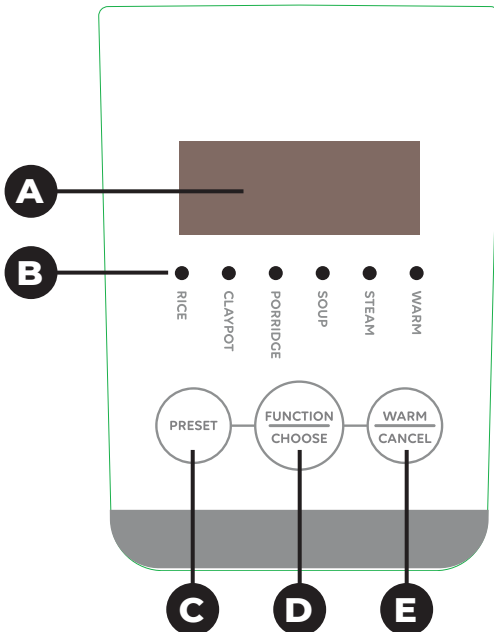
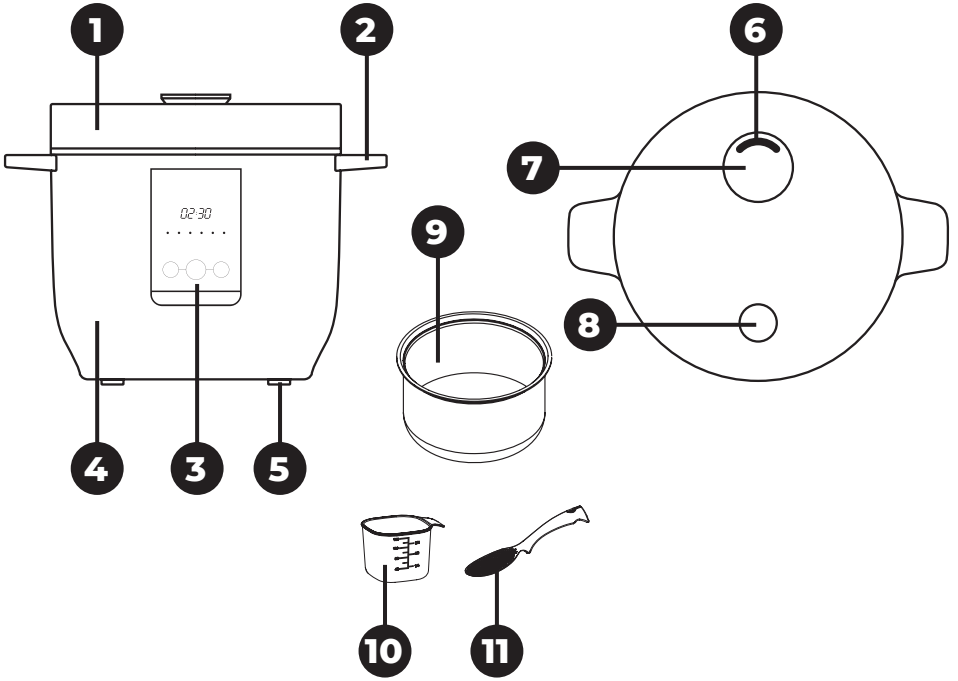


- EN Translation of the operating instructions from the original language.  
DE Übersetzung der Bedienungsanleitung aus der Originalsprache.  
**CZ **Návod k použití v originálním jazyce.****  
SK Preklad návodu na použitie z originálneho jazyka.  
HU A használati utasítás fordítása eredeti nyelvről.

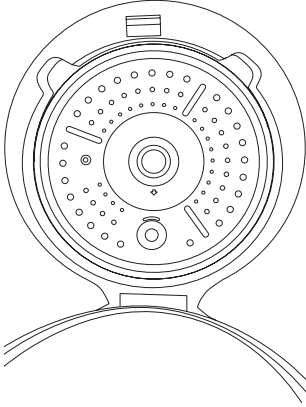
SGR-RC-R900B  
SGR-RC-R901W

# SIGURO

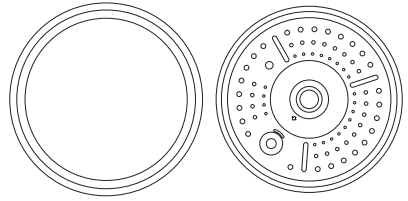
<b>ENGLISH</b>	<b>5</b>
Safety information	5
Use	7
Cleaning and maintenance	10
Troubleshooting	12
<b>DEUTSCH</b>	<b>14</b>
Sicherheitshinweise	14
Verwendung	17
Reinigung und Wartung	21
Problemlösung	22
<b>ČESKY</b>	<b>24</b>
Bezpečnostní informace	24
Použití	26
Čištění a údržba	29
Řešení problémů	31
<b>SLOVENSKY</b>	<b>33</b>
Bezpečnostné informácie	33
Použitie	35
Čistenie a údržba	38
Riešenie problémov	40
<b>MAGYAR</b>	<b>42</b>
Biztonsági információk	42
Használat	44
Tisztítás és karbantartás	47
Problémamegoldás	49



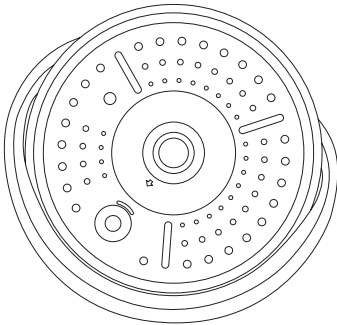
**1A**



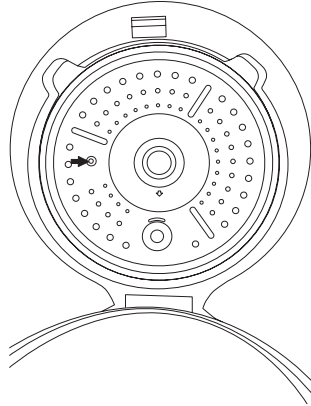
**1B**



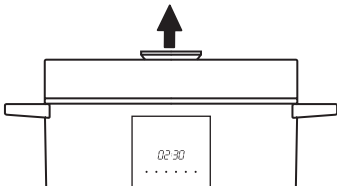
**1C**



**1D**



**1E**



**Thank you for purchasing a SIGURO appliance. We are grateful for your trust and we are happy to introduce the device to you on the following pages and acquaint you with all its functions and uses.**

We believe in a fair and responsible company, and therefore we only work with suppliers who meet our strict criteria of protecting the interests of their employees, preventing their abuse and providing fair working conditions.

If you need help with extensive maintenance or repair of the product, which requires intervention in its internal parts, our authorized service is available at the email address siguro@alza.cz or operators at the seller's info line. For your convenience in solving any problems with the product, we have unified these contact points and the above contacts can be used in the event of any complaints or post-warranty service.

## **SAFETY INFORMATION**

---



**Please read this manual carefully before use and keep it for future reference.**

1. This appliance is intended for use by children 8 years of age and older and persons with reduced physical, sensory or mental capabilities, or lack of experience and knowledge, provided they have been given supervision or instruction concerning use of the appliance in a safe manner and understand the potential hazards.
2. Children must not play with the device.
3. Cleaning and user maintenance shall not be done by children unless they are 8 years old and under supervision.
4. Keep the appliance and its power cord out of the reach of children under 8 years of age.
5. If the power cord is damaged, it must be replaced by the manufacturer, its service agent or similarly qualified persons in order to avoid a dangerous situation.
6. This appliance is intended for use in the home and similar spaces, such as:
  - kitchenettes in shops, offices and other workplaces;
  - In agriculture;
  - by the guests in hotels, motels and other residential facilities;
  - in bed and breakfast establishments
7. To reduce the risk of electric shock, do not immerse the appliance, its power supply, or the power plug in water or any other liquid.
8. **WARNING:** Do not pour water on the plug.
9. Clean surfaces that come into contact with food according to the instructions in this manual.
10. **WARNING:** There is a risk of potential injury if used incorrectly.
11. The surface of the heating element contains residual heat after use.
12. Before connecting the plug to the power outlet, make sure that the voltage

indicated on the type plate of the appliance corresponds to the voltage in your mains socket.

13. Plug the power cord into a properly grounded electrical outlet. We recommend connecting the appliance to a separate electrical circuit. Do not use extension cables.
14. Place the appliance on a flat, dry and solid surface. Do not place the appliance near fire or other heat sources.
15. Do not let the power cord hang over the edge of the counter or table. Do not let the power supply touch the electric or gas plate or any hot surface.
16. Use the appliance only with the supplied power cord.
17. This appliance is intended for food preparation as described in this manual. Do not use it for purposes other than those for which it is intended.
18. Use the appliance only with the supplied accessories. The use of accessories that are not intended for this appliance or are not specified by the manufacturer as suitable may cause a dangerous situation.
19. Do not place the cooking vessel on an electric or gas plate or near fire or other heat sources.
20. Only use the appliance with the supplied cooking vessel. Never use the appliance without the cooking vessel properly inserted.
21. When filling, always observe the maximum and minimum level marks that are marked on the wall of the cooking vessel.
22. The cooking vessel has a non-stick surface. To avoid damaging it, use only the spoon provided for mixing or serving. Other tools, especially made of metal, could damage the non-stick finish.
23. Before connecting the appliance to the power supply, always make sure that it is correctly assembled and that the lid is fitted correctly.
24. This appliance is not intended to be operated by means of an external timer, switch or other device which switches the appliance on and off.
25. Under no circumstances cover the safety valve. There is a risk of irreversible damage to the appliance and it could cause a dangerous situation.
26. Keep your hands and face away from the safety valve. Very high temperature steam escapes through the safety valve and there is a risk of severe burns.
27. Take extra care when handling an appliance that contains hot food. Wear protective kitchen gloves.
28. Carefully open the lid of the appliance to avoid scalding from escaping steam.
29. Do not prepare any acidic or alkaline foods or substances in the appliance, as this could corrode the cooking vessel.
30. Always place the hot cooking vessel on a heat-resistant surface.
31. Do not touch the appliance or the power supply with wet or damp hands.
32. Clean the appliance after each use. Clean the cooking vessel with a soft sponge. Do not use scouring pads or harsh cleaners to avoid damaging the non-stick finish.
33. Unplug the power cord from the power outlet and from the appliance when not in use, when leaving it unattended, before cleaning, moving, assembling or disassembling.
34. Always disconnect the power cord by grasping the plug, not by pulling on the power cord.



**Do not immerse in water!**

## Overview

- 1 Lid
  - 2 Handles
  - 3 Control panel
  - 4 Body of the rice cooker
  - 5 Anti-slip feet
  - 6 Steam output
  - 7 Safety valve
  - 8 Lid opening button
  - 9 Removable cooking vessel with non-stick surface
  - 10 Measuring cup
  - 11 Stirring and serving spoon
- Power cord & Steamer (not shown)



## Control panel

- A Display
- B Preset program light indicators
- C PRESET button
- D FUNCTION / CHOOSE button
- E WARM / CANCEL button

<b>Power</b>	220–240 V ~ 50-60 Hz
<b>Power consumption</b>	480 W
<b>Max. cooking vessel volume</b>	2 l
<b>Dimensions (W × H × D)</b>	325 × 274 × 243 mm
<b>Weight</b>	2.8 kg

## USE

### Before first use

1. Remove the appliance and its accessories from the packaging. Before disposing of the packaging, be sure to remove all components. Check that the appliance and any accessories are not damaged.
2. Wash the cooking vessel, steam attachment, measuring cup and spoon in warm water with a little kitchen detergent, rinse and wipe dry.
3. Wipe the lid, outer surface and interior of the appliance with a slightly damp soft cloth. Wipe dry.

## Before use

1. Place the appliance on a dry, level and firm surface at a sufficient distance from the electrical outlet.
2. Prepare the ingredients you want to process.
3. Press the button to open the lid and put the ingredients in the cooking vessel.
4. Make sure that the edge of the cooking vessel is clean. If necessary, wipe it with a clean sponge.
5. Close the lid. Correct closing is signaled by a click.
6. Fully unroll the power cable. Insert the power cable plug into the socket at the back of the appliance and insert the plug into the electrical outlet.



**WARNING: ALWAYS FOLLOW THE MAXIMUM AND MINIMUM LEVEL LINES, WHICH ARE MARKED ON THE COOKING VESSEL WALL WHEN FILLING. OTHERWISE, THERE IS A RISK OF OVERFLOW AND DAMAGE TO THE APPLIANCE.**

## Rice cooking - RICE program

Use the measuring cup provided to measure rice and water.

1. Pour the measured rice into a container and rinse several times until the water is almost clear.
2. The maximum amount of rice you can cook in this rice cooker is four measuring cups of uncooked rice.
3. Add water. The water and rice ratio is 1:1. You can lightly salt the rice according to taste.



### Note:

You can adjust the amount of water according to your personal preferences and the type of rice you are preparing.

4. Press the button to open the lid and insert the cooking vessel with rice and water inside.
5. If necessary, wipe the edge of the cooking vessel.
6. Press repeatedly the **FUNCTION** button until the indicator light "Rice" starts flashing.
7. The "Rice" light will flash for about 5 seconds, then an audible warning will sound and the appliance will start automatically.
8. When the cooking process is completed, an audible warning sounds five times, the "Rice" light goes out and the appliance automatically switches to keep warm mode. The default keep warm mode time is 12 hours. If you need to cancel the keep warm mode, press the **CANCEL** button.



### Note:

The rice cooking time may vary depending on the amount of uncooked rice and the rice to water ratio. The average rice cooking time is 35 minutes.

To prevent the formation of lumps in the rice, we recommend stirring the rice to release the accumulated steam and moisture.

## Clay Pot Rice Preparation - Claypot program

The Siguro Rice Maker easily prepares the traditional dishes of South China and South-east Asia. First cook the rice, then after the chime, add the other ingredients – vegetables (carrots, peppers, etc.), sausage, diced meat, etc.



1. Prepare all the ingredients you will need according to the Clay Pot rice recipe.
2. Put rice in the cooking vessel. Follow steps 1-5 in the "Rice Preparation - RICE Program" section.
3. Press repeatedly the **FUNCTION** button until the indicator light "Claypot" starts flashing.
4. The "Claypot" light will flash for about 5 seconds, then an audible warning will sound and the appliance will start automatically.
5. One the audible alert sounds, press the **FUNCTION** button to turn of the alert and stop the operation of the appliance.
6. Press the lid opening button.



**Warning:**

Be very careful when opening the lid to avoid scalding from escaping steam.

7. Add the remaining ingredients and close the lid. The appliance resumes operation automatically.
8. When the cooking process is completed, an audible warning sounds five times, the "Rice" light goes out and the appliance automatically switches to keep warm mode. The default keep warm mode time is 12 hours. If you need to cancel the keep warm mode, press the **CANCEL** button.

## Porridge preparation - PORRIDGE program

Make porridges from a variety of common sources, such as rice, oatmeal, buckwheat, and more. A porridge requires more water than simply cooking rice. The specific amount will depend on the desired smoothness of the porridge.

The porridge cooking time is approximately 1.5 hours.

1. Put ingredients in the cooking vessel.
2. Press the button to open the lid and insert the cooking vessel inside.
3. If necessary, wipe the edge of the cooking vessel.
4. Press repeatedly the **FUNCTION** button until the "Porridge" light starts flashing.
5. The "Porridge" light will flash for about 5 seconds, then an audible warning will sound and the appliance will start automatically.
6. When the cooking process is completed, an audible alert sounds five times, the "Porridge" light goes out and the appliance automatically switches to keep warm mode. The default keep warm mode time is 12 hours. If you need to cancel the keep warm mode, press the **CANCEL**.

## Soup preparation - SOUP program

Prepare your favorite soup. For meat broths, use modest-sized pieces of meat (e.g. chicken wings, beef slices). Add vegetables as desired, much like when making other soups.

The soup cooking time is approximately 2 hours.

1. Put ingredients in the cooking vessel.
2. Press the button to open the lid and insert the cooking vessel inside.
3. If necessary, wipe the edge of the cooking vessel.
4. Press repeatedly the **FUNCTION** button until the "Soup" light starts flashing.
5. The "Soup" light will flash for about 5 seconds, then an audible alert will sound and the appliance will start automatically.
6. When the cooking process is completed, an audible alert sounds five times, the "Soup" light goes out and the appliance automatically switches to keep warm mode. The default keep warm mode time is 12 hours. If you need to cancel the keep

warm mode, press the **CANCEL**.

## Steam cooking – STEAM program

The steam cooking time is about 30 minutes.

1. Put ingredients in the cooking vessel.
2. Press the button to open the lid and insert the cooking vessel inside.
3. If necessary, wipe the edge of the cooking vessel.
4. Press repeatedly the **FUNCTION**, button until the "Steam" light starts flashing.
5. The "Steam" light will flash for about 5 seconds, then an audible alert will sound and the appliance will start automatically.
6. When the cooking process is completed, an audible alert sounds five times, the "Steam" light goes out and the appliance automatically switches to keep warm mode. The default keep warm mode time is 12 hours. If you need to cancel the keep warm mode, press the **CANCEL**.

## KEEP WARM (keep warm) function

The default time of the KEEP WARM function is 12 hours.

1. While the appliance is in the standby mode, press the **WARM/CANCEL**.
2. The KEEP WARM function will activate and the appliance will start heating the food and keep it warm.
3. If you need to cancel the KEEP WARM function, press the button **WARM/CANCEL**.

## PRESET (delayed start) button

1. Put the ingredients in the cooking vessel and insert it in the appliance.
2. Select the cooking method by pressing repeatedly the **FUNCTION**.
3. While the selected cooking light is flashing, press the **PRESET** button and the display will show the default delayed start time.
4. Press repeatedly the **PRESET** button to set the time after which the appliance will automatically start. Each time you press **PRESET** you increase the time by 30 minutes. Once you reach the maximum delayed start time and press the **PRESET** button again, the minimum delayed start time will displayed. You can set a delayed start time from 1 to 24 hours.
5. After adjusting the cooking time, wait about 5 seconds for the time to save and the countdown to start.
6. Once the set time elapses the appliance starts automatically.

It is important to select the cooking method before setting the delayed start time. The delayed start function will not work if the order is reversed.

The delayed start function cannot be set when the appliance is already running.

## CLEANING AND MAINTENANCE

---

Before cleaning or any maintenance, always switch off the appliance, disconnect the plug from the power outlet and allow it to cool down completely.



### Warning:

Never immerse the appliance, the power cable and plug in water or any other liquid.

Do not use plastic or metal scrapers, harsh cleaners, chemicals, petrol, solvents or other similar substances to clean any parts of the appliance. The surface finish could

be seriously damaged.

## **Heating element and internal space for inserting the cooking vessel**

Wipe the outer surface of the appliance and the inner space for inserting the cooking vessel with a clean cloth slightly moistened with warm water.

Make sure that you removed all food residue.

## **Cooking vessel and accessories**

Wash the cooking vessel and accessories after each use and keep them clean. Wash them in warm water with a little amount of kitchen detergent. Rinse with clean water and wipe dry.

If the food sticks to the bottom of the vessel, pour a little warm water into it and add a little kitchen detergent and let stand. Then wash and rinse.

Do not wash the cooking vessel in dishwasher.

## **Cleaning the inner lid**

1. We recommend cleaning the inner lid after each use. Press the open lid button and open the lid.
2. Grasp the inner lid by the silicone grip in its centre (see Figure **1A**) and gently pull outwards until you pull the inner lid out of the lid compartment.
3. Remove the silicone seal from the inner lid (see Figure **1B**) and wash both parts in warm water with a little kitchen detergent. Rinse with clean water and wipe dry.
4. Put the silicone seal of the inner lid on the inner lid. The silicone gasket must be fitted all the way around (see Figure **1C**) and must fit completely. If you put the silicone gasket on backwards, the gasket will not fit properly, it will be loose, and you will not be able to put the inner lid back on.
5. Then attach the inner lid to the lid with the arrow on the inner lid pointing downwards and the tip passing through the hole in the inner lid (see Figure **1D**).
6. Wipe the area where the inner lid is located with a dry cloth. You can remove the safety valve (from the outside - see Figure **1E**) and wipe the silicone seal of the safety valve with a dry cloth (from both the inside and outside of the lid). If the silicone seal of the safety valve is heavily soiled, it can be removed, from the inside of the lid, by pressing the sides together and gently pulling it out. Wash the seal in warm water with a little kitchen detergent. Rinse with clean water and wipe dry. Insert the clean, dry gasket into the lid space (inside) with the narrower end and push it into the groove with your finger until it is firmly seated all the way around.

## **Outer surface**

Wipe the outside of the appliance with a clean cloth slightly moistened with warm water. Wipe dry.

Wipe the control panel with a dry cloth only.

## **Storage**

Before storing, make sure that the appliance and its accessories are cool and clean. Store the appliance and its accessories in a dry and well-ventilated place out of the reach of children or pets.

Do not place any objects on the appliance.

## TROUBLESHOOTING

<b>Problem</b>	<b>Cause</b>	<b>Solution</b>
The display is off. The heating element does not heat up.	The power cable is not plugged in. The power board is damaged. The distribution board is disconnected. The motherboard is damaged.	Check switch, plug, thermal fuse, power supply. Contact and authorized service centre.
The display is off. The heating element heats up.	The motherboard is damaged.	Contact and authorized service centre.
The display is on. The heating element does not heat up.	The components of the heating element are burnt out. The board's contacts are disconnected. The power board is damaged.	Contact and authorized service centre.
The rice is undercooked or the cooking time is too long.	After finishing the cooking, you did not let the rice rest long enough.	Let the rice rest and stir it so that no lumps form.
	The cooking vessel is not inserted correctly in the interior.	Turn the cooking vessel so that it is level and correctly inserted in the interior.
	The cooking vessel is deformed.	Contact and authorized service centre.
	The motherboard is damaged.	
	The main thermostat malfunctions.	

<b>Problem</b>	<b>Cause</b>	<b>Solution</b>
A large amount of porridge overflows the edge.	The motherboard is damaged.	Contact and authorized service centre.
	The main thermostat malfunctions.	
	There is a foreign object in the safety valve.	Clean the safety valve.
	You have exceeded the maximum line marked on the inner wall of the vessel. You did not add enough water.	Always follow the marked minimum and maximum lines. Adjust the amount as needed.
	The lid is not properly closed. You have selected the wrong cooking method.	Close the lid properly. Select the correct cooking method.
Neither rice nor porridge is cooked long enough.	The base circuit board is damaged. The top cover thermostat is malfunctioning.	Contact and authorized service centre.
An error message appeared on the display: E1, E2, E3 or E4.	Sensor loop error.	Contact and authorized service centre.

If the problem is not listed in the table above or if the problem persists, switch off the appliance, disconnect the plug from the electrical outlet and contact an authorized service center.

**Vielen Dank, dass Sie sich für ein Gerät von SIGURO entschieden haben. Wir sind dankbar für Ihr Vertrauen und freuen uns, Ihnen das Gerät auf den folgenden Seiten vorzustellen und Sie mit all seinen Funktionen und Verwendungsmöglichkeiten vertraut zu machen.**

Wir glauben an ein faires und verantwortungsvolles Unternehmen und arbeiten daher nur mit Lieferanten zusammen, die unsere strengen Kriterien zum Schutz der Interessen der Mitarbeiter, zur Verhinderung von Missbrauch und fairen Arbeitsbedingungen erfüllen.

Wenn Sie Hilfe bei der umfassenden Wartung oder Reparatur des Produkts benötigen, die einen Eingriff in die Innenteile erfordert, stehen Ihnen unser autorisierter Kundendienst unter der E-Mail-Adresse [siguro@alza.cz](mailto:siguro@alza.cz) oder die Hotline des Verkäufers zur Verfügung. Bei der Lösung von Problemen mit dem Produkt haben wir diese Kontaktstellen vereinheitlicht. Die oben genannten Kontakte können auch bei Beschwerden oder Nachgarantieservice genutzt werden.

## **SICHERHEITSHINWEISE**

---



### **Lesen Sie vor der Anwendung dieses Benutzerhandbuch durch und bewahren Sie es für den künftigen Gebrauch auf.**

1. Dieses Gerät kann von Kindern ab 8 Jahren und von Personen mit verminderten physischen, sensorischen und mentalen Fähigkeiten oder mangelnden Erfahrungen und Kenntnissen benutzt werden, sofern sie beaufsichtigt werden oder über die Anwendung des Verbrauchers auf eine sichere Weise belehrt wurden und eventuelle Gefahren verstehen.
2. Kinder dürfen nicht mit dem Gerät spielen.
3. Reinigungs- und Wartungsarbeiten, die gewöhnlich durch den Anwender vorgenommen werden, dürfen nur Kinder durchführen, die älter als 8 Jahre sind und beaufsichtigt werden.
4. Bewahren Sie das Gerät und dessen Zubehör außerhalb der Reichweite von Kindern unter 8 Jahren auf.
5. Wenn das Netzteil beschädigt ist, muss es vom Hersteller, seinem Servicetechniker oder einer ähnlich qualifizierten Person ersetzt werden, um gefährliche Situationen zu vermeiden.
6. Dieses Gerät ist für den Gebrauch im Haushalt und in ähnlichen Bereichen vorgesehen, wie z.B.:
  - Küchenzeilen in Geschäften, Büros und anderen Arbeitsplätzen;
  - in der Landwirtschaft;
  - Geräte, die von Gästen in Hotels, Motels und anderen Wohngebieten verwendet werden,
  - in Betrieben, die Übernachtung mit Frühstück anbieten.

7. Um ein Stromschlagrisiko zu vermeiden, dürfen Sie das Gerät, das Netzkabel oder den Netzstecker nicht in Wasser oder andere Flüssigkeiten tauchen.
8. **WARNUNG:** Vermeiden Sie, dass Flüssigkeiten über das Netzkabel gegossen werden.
9. Reinigen Sie die Oberflächen, die mit der Speise in Berührung kommen, gemäß den in diesem Benutzehandbuch angeführten Anweisungen.
10. **WARNUNG:** Bei unsachgemäßem Gebrauch besteht die Gefahr von Verletzungen.
11. Die Oberfläche des Heizelements enthält nach dem Gebrauch noch Restwärme.
12. Vergewissern Sie sich vor dem Einstecken des Netzsteckers in die Steckdose, dass die auf dem Typenschild des Geräts angegebene Spannung mit der Spannung Ihrer Steckdose übereinstimmt.
13. Stecken Sie den Netzstecker in eine ordnungsgemäß geerdete Steckdose. Wir empfehlen, das Gerät an einen separaten Stromkreis anzuschließen. Verwenden Sie keine Verlängerungskabel.
14. Stellen Sie das Gerät auf eine ebene, trockene und feste Oberfläche. Stellen Sie das Gerät nicht in der Nähe von Feuer oder anderen Wärmequellen auf.
15. Lassen Sie das Netzkabel nicht über die Kante einer Arbeitsplatte oder eines Tisches hängen. Achten Sie darauf, dass das Netzkabel nicht mit einem Elektro- oder Gaskochfeld oder einer heißen Oberfläche in Berührung kommt.
16. Verwenden Sie das Gerät nur mit dem mitgelieferten Netzkabel.
17. Dieses Gerät ist für die Zubereitung von Lebensmitteln gemäß den Angaben in dieser Anleitung bestimmt. Verwenden Sie es nicht für andere Zwecke als die, für die es bestimmt ist.
18. Verwenden Sie das Gerät nur mit dem mitgelieferten Zubehör. Die Verwendung von Zubehör, das nicht für dieses Gerät bestimmt ist oder vom Hersteller nicht als geeignet angegeben wurde, kann zu einer gefährlichen Situation führen.
19. Platzieren Sie das Kochgefäß nicht auf eine Elektro- oder Gaskochstelle oder in die Nähe eines Feuers oder anderer Wärmequellen.
20. Verwenden Sie das Gerät nur mit dem mitgelieferten Kochgefäß. Verwenden Sie das Gerät niemals ohne ordnungsgemäß eingelegtes Kochgefäß.
21. Achten Sie beim Einfüllen immer auf die an der Wand des Kochgefäßes markierten MAX- und MIN-Markierungen.
22. Das Kochgefäß hat eine antihaftbeschichtete Oberfläche. Verwenden Sie zum Umrühren und Servieren nur den mitgelieferten Löffel, um Beschädigungen zu vermeiden. Andere Utensilien, insbesondere aus Metall, könnten die Antihaftbeschichtung beschädigen.
23. Bevor Sie das Gerät an das Stromnetz anschließen, vergewissern Sie sich immer, dass es richtig zusammengesetzt und der Deckel richtig aufgesetzt ist.
24. Dieses Gerät ist nicht für die Bedienung durch eine externe Zeitschaltuhr, einen Schalter oder eine andere Vorrichtung zum Ein- und Ausschalten des Geräts vorgesehen.
25. Das Sicherheitsventil darf unter keinen Umständen abgedeckt werden. Es besteht die Gefahr einer irreversiblen Beschädigung des Geräts und einer gefährlichen Situation.
26. Halten Sie Hände und Gesicht weit vom Sicherheitsventil entfernt. Durch das Sicherheitsventil entweicht Dampf mit sehr hoher Temperatur, und es besteht die Gefahr schwerer Verbrennungen.
27. Seien Sie besonders vorsichtig beim Umgang mit einem Gerät, das heiße Lebensmittel enthält. Verwenden Sie Topflappen.
28. Öffnen Sie den Deckel des Geräts vorsichtig, um Verbrühungen durch austretenden Dampf zu vermeiden.
29. Bereiten Sie keine säurehaltigen oder alkalischen Lebensmittel oder Substanzen im Gerät zu, da dies zu einer Korrosion des Kochgefäßes führen kann.
30. Stellen Sie das heiße Kochgefäß immer auf eine hitzebeständige Unterlage.

31. Berühren Sie das Gerät oder das Netzteil nicht mit nassen oder feuchten Händen.
32. Reinigen Sie das Gerät nach jedem Gebrauch. Reinigen Sie das Kochgefäß mit einem weichen Schwamm. Verwenden Sie keine Drahttücher oder grobe Reinigungsmittel, um die Antihafbeschichtung nicht zu beschädigen.
33. Ziehen Sie den Netzstecker aus der Steckdose und trennen Sie das Gerät vom Stromnetz, wenn Sie es nicht benutzen, wenn es unbeaufsichtigt bleibt, bevor Sie es reinigen, bewegen, zusammen- oder auseinanderlegen.
34. Ziehen Sie das Netzkabel immer am Stecker aus der Steckdose, nicht am Netzkabel.



**Nicht in Wasser tauchen!**



## Übersicht



- 1 Deckel
- 2 Griffe
- 3 Bedienfeld
- 4 Körper des Reiskochers
- 5 Anti-Rutsch-Füße
- 6 Dampfaustritt
- 7 Sicherheitsventil
- 8 Taste zum Öffnen des Deckels
- 9 Herausnehmbares Kochgefäß mit Antihafschicht
- 10 Messbecher
- 11 Löffel zum Mischen und Servieren  
Zuleitungskabel & Dampfgarer (nicht abgebildet)

## Bedienfeld

- A Display
- B Lichtanzeigen für voreingestellte Programme
- C Taste PRESET
- D Taste FUNCTION / CHOOSE
- E Taste WARM / CANCEL

<b>Stromversorgung</b>	220–240 V ~ 50-60 Hz
<b>Stromverbrauch</b>	480 W
<b>Max. Volumen des Kochgefäßes</b>	2 l
<b>Abmessungen (H x B x T)</b>	325 x 274 x 243 cm
<b>Gewicht</b>	2,8 kg

## VERWENDUNG

### Vor der Erstverwendung

1. Nehmen Sie das Gerät und sein Zubehör aus der Verpackung. Vergewissern Sie sich, dass alle Komponenten entfernt wurden, bevor Sie die Verpackung entsorgen. Vergewissern Sie sich, dass weder Gerät noch Zubehör beschädigt sind.
2. Kochgefäß, Dämpfeinsatz, Messbecher und Löffel in warmem Wasser mit etwas Spülmittel waschen, abspülen und abtrocknen.
3. Wischen Sie den Deckel, die Außenfläche und den inneren Bereich des Geräts mit einem leicht angefeuchteten weichen Geschirrtuch ab. Wischen Sie sie trocken.

## Vorbereitung vor der Verwendung

1. Stellen Sie das Gerät auf eine trockene, gerade und feste Oberfläche in ausreichender Entfernung von der Netzsteckdose.
2. Bereiten Sie die Zutaten vor, die Sie verarbeiten wollen.
3. Drücken Sie die Taste zum Öffnen des Deckels und geben Sie die Zutaten in das Kochgefäß.
4. Vergewissern Sie sich, dass die Kante des Kochgefäßes sauber ist. Wischen Sie sie bei Bedarf mit einem sauberen Schwamm ab.
5. Schließen Sie den Deckel. Das richtige Schließen wird durch ein Klicken indiziert.
6. Netzkabel vollständig ausziehen. Stecken Sie den Stecker des Netzkabels in die Buchse auf der Rückseite des Geräts und stecken Sie den Stecker des Netzkabels in die Steckdose.



**WARNUNG: BEACHTEN SIE BEIM EINFÜLLEN IMMER DIE AN DER WAND DES KOCHGEFÄSSES MARKIERTEN MAX- UND MIN-MARKIERUNGEN. ANDERNFALLS BESTEHT DIE GEFAHR DES ÜBERLAUFENS UND DER BESCHÄDIGUNG DES GERÄTS.**

## Vorbereitung von Reis – Programm RICE

Verwenden Sie den mitgelieferten Messbecher, um den Reis und das Wasser abzumessen.

1. Geben Sie den abgemessenen Reis in den Behälter spülen Sie ihn mehrmals durch, bis das Wasser fast klar ist.
2. In diesem Reiskocher können Sie maximal vier Messbecher ungekochten Reis zubereiten.
3. Wasser hinzufügen. Das Verhältnis von Wasser zu Reis ist 1:1. Sie können den Reis mit etwas Salz abschmecken.



### Bemerkung:

Sie können die Wassermenge je nach persönlichen Präferenzen und der Art des Reises, den Sie zubereiten, anpassen.

4. Drücken Sie die Taste zum Öffnen des Deckels und legen Sie das Kochgefäß mit Reis und Wasser hinein.
5. Wischen Sie gegebenenfalls den Rand des Kochgefäßes ab.
6. Drücken Sie mehrmals die Taste **FUNCTION**, bis die Anzeige „Rice“ blinkt.
7. Die Anzeige „Rice“ blinkt etwa 5 Sekunden lang, dann ertönt ein akustisches Signal und das Gerät startet automatisch.
8. Nach Beendigung des Kochvorgangs ertönt fünfmal ein akustisches Signal, die Anzeige „Rice“ erlischt und das Gerät geht automatisch in den Temperaturerhaltungsmodus über. Die Ausgangszeit für den Temperaturerhaltungsmodus beträgt 12 Stunden. Wenn Sie den Temperaturerhaltungsmodus abbrechen möchten, drücken Sie die Taste **CANCEL**.

### Bemerkung:

Die Kochzeit kann je nach Menge des ungekochten Reises und dem Verhältnis von Reis zu Wasser variieren. Die durchschnittliche Kochzeit für Reis beträgt etwa 35 Minuten.

Um zu verhindern, dass sich Klumpen im Reis bilden, empfehlen wir, den Reis umzurühren, damit der angesammelte Dampf und die Feuchtigkeit entweichen können.



## Zubereitung von Claypot Reis – Programm Claypot

Mit dem Reiskocher Siguro können Sie mühelos ein traditionelles Gericht zubereiten, das vor allem in Südchina und Südostasien bekannt ist. Kochen Sie zuerst den Reis und geben nach dem Signal allmählich weitere Zutaten hinzu – Gemüse (z. B. Karotten, Paprika usw.), Wurst oder kleine Stücke von Fleisch usw.

1. Bereiten Sie alle Zutaten, die Sie benötigen, gemäß dem Rezept für Claypot Reis vor.
2. Geben Sie den Reis in das Kochgefäß. Befolgen Sie die Schritte 1–5 im Abschnitt „Zubereitung von Reis – Programm RICE“.
3. Drücken Sie mehrmals die Taste **FUNCTION**, bis die Anzeige „Claypot“ blinkt.
4. Die Anzeige „Claypot“ blinkt etwa 5 Sekunden lang, dann ertönt ein akustisches Signal und das Gerät startet automatisch.
5. Sobald das akustische Signal ertönt, drücken Sie die Taste **FUNCTION**, um das akustische Signal auszuschalten und den Betrieb des Geräts zu unterbrechen.
6. Drücken Sie die Taste zum Öffnen des Deckels.



### Warnung:

Seien Sie beim Öffnen des Deckels sehr vorsichtig, um Verbrühungen durch austretenden Dampf zu vermeiden.

7. Geben Sie die restlichen Zutaten hinzu und schließen Sie den Deckel. Das Gerät nimmt den Betrieb automatisch wieder auf.
8. Nach Beendigung des Kochvorgangs ertönt fünfmal ein akustisches Signal, die Anzeige „Rice“ erlischt und das Gerät geht automatisch in den Temperaturerhaltungsmodus über. Die Ausgangszeit für den Temperaturerhaltungsmodus beträgt 12 Stunden. Wenn Sie den Temperaturerhaltungsmodus abbrechen möchten, drücken Sie die Taste **CANCEL**.

## Zubereitung von Brei – Programm PORRIDGE

Bereiten Sie Brei aus vielen handelsüblichen Zutaten wie Reis, Haferflocken, Buchweizen u. ä. zu. Zum Kochen von Brei benötigen Sie mehr Wasser als für die Zubereitung von gewöhnlichem Reis. Die Wassermenge hängt davon ab, wie dickflüssig der Brei werden soll.

Die Zubereitung von Brei dauert etwa 1,5 Stunden.

1. Geben Sie die Zutaten in das Kochgefäß.
2. Drücken Sie die Taste zum Öffnen des Deckels und legen Sie das Kochgefäß mit den Zutaten hinein.
3. Wischen Sie gegebenenfalls den Rand des Kochgefäßes ab.
4. Drücken Sie mehrmals die Taste **FUNCTION**, bis die Anzeige „Porridge“ blinkt.
5. Die Anzeige „Porridge“ blinkt etwa 5 Sekunden lang, dann ertönt ein akustisches Signal und das Gerät startet automatisch.
6. Nach Beendigung des Kochvorgangs ertönt fünfmal ein akustisches Signal, die Anzeige „Porridge“ erlischt und das Gerät geht automatisch in den Temperaturerhaltungsmodus über. Die Ausgangszeit für den Temperaturerhaltungsmodus beträgt 12 Stunden. Wenn Sie den Temperaturerhaltungsmodus abbrechen möchten, drücken Sie die Taste **CANCEL**.

## Vorbereitung von Suppen – Programm SOUP

Kochen Sie Ihre Lieblingssuppe. Benutzen Sie für eine Fleischbrühe in kleinere Stücke geschnittenes Fleisch (z. B. Hähnchenflügel oder in kleinere Stücke geschnittenes Rindfleisch). Geben Sie Gemüse nach Geschmack hinzu, als würden Sie eine normale Suppe zubereiten.

Die Zubereitung von Suppe dauert etwas 2 Stunden.

1. Geben Sie die Zutaten in das Kochgefäß.
2. Drücken Sie die Taste zum Öffnen des Deckels und legen Sie das Kochgefäß mit den Zutaten hinein.
3. Wischen Sie gegebenenfalls den Rand des Kochgefäßes ab.
4. Drücken Sie mehrmals die Taste **FUNCTION**, bis die Anzeige „Soup“ blinkt.
5. Die Anzeige „Soup“ blinkt etwa 5 Sekunden lang, dann ertönt ein akustisches Signal und das Gerät startet automatisch.
6. Nach Beendigung des Kochvorgangs ertönt fünfmal ein akustisches Signal, die Anzeige „Soup“ erlischt und das Gerät geht automatisch in den Temperaturerhaltungsmodus über. Die Ausgangszeit für den Temperaturerhaltungsmodus beträgt 12 Stunden. Wenn Sie den Temperaturerhaltungsmodus abbrechen möchten, drücken Sie die Taste **CANCEL**.

## Zubereitung im Dampf – Programm STEAM

Die Zubereitung im Dampf dauert etwas 30 Minuten.

1. Geben Sie die Zutaten in das Kochgefäß.
2. Drücken Sie die Taste zum Öffnen des Deckels und legen Sie das Kochgefäß mit den Zutaten hinein.
3. Wischen Sie gegebenenfalls den Rand des Kochgefäßes ab.
4. Drücken Sie mehrmals die Taste **FUNCTION**, bis die Anzeige „Steam“ blinkt.
5. Die Anzeige „Steam“ blinkt etwa 5 Sekunden lang, dann ertönt ein akustisches Signal und das Gerät startet automatisch.
6. Nach Beendigung des Kochvorgangs ertönt fünfmal ein akustisches Signal, die Anzeige „Steam“ erlischt und das Gerät geht automatisch in den Temperaturerhaltungsmodus über. Die Ausgangszeit für den Temperaturerhaltungsmodus beträgt 12 Stunden. Wenn Sie den Temperaturerhaltungsmodus abbrechen möchten, drücken Sie die Taste **CANCEL**.

## Funktion KEEP WARM (Warmhaltefunktion)

Die Ausgangszeit für die Funktion KEEP WARM beträgt 12 Stunden.

1. Während sich das Gerät im Standby-Modus befindet, drücken Sie die Taste **WARM/CANCEL**.
2. Die Funktion KEEP WARM ist aktiviert und das Gerät beginnt mit dem Aufwärmen der Speisen im Kochgefäß und hält sie warm.
3. Wenn Sie die Funktion KEEP WARM abbrechen möchten, drücken Sie die Taste **WARM/CANCEL**.

## Funktion PRESET (verzögerter Start)

1. Geben Sie die Zutaten in das Kochgefäß und geben Sie ihn in das Gerät.
2. Wählen Sie die Art und Weise der Zubereitung durch wiederholtes Drücken der Taste **FUNCTION** aus.
3. Während die Anzeige der ausgewählten Zubereitung blinkt, drücken Sie die Taste **PRESET**, und auf dem Display wird die voreingestellte Ausgangszeit für den verzögerten Start angezeigt.
4. Drücken Sie wiederholt die Taste **PRESET**, um die Zeit einzustellen, nach der sich das Gerät automatisch einschalten soll. Mit jedem Drücken der Taste **PRESET** verlängern Sie die Zeit um 30 Minuten. Sobald Sie die maximale Zeit der Verzögerung erreicht haben, drücken Sie erneut die Taste **PRESET**, um die minimale Zeit der Startverzögerung anzuzeigen. Sie können den verzögerten Start von 1 bis 24 Stunden einstellen.

5. Warten Sie nach der Einstellung der Zubereitungszeit etwa 5 Sekunden, bevor die Zeit gespeichert wird und der Countdown beginnt.
6. Nach Ablauf der eingestellten Zeit wird das Gerät automatisch gestartet. Es ist wichtig, dass Sie die Art und Weise der Zubereitung auswählen, bevor Sie den verzögerten Start einstellen. In der umgekehrten Reihenfolge funktioniert die Funktion des verzögerten Starts nicht. Der verzögerte Start kann nicht eingestellt werden, wenn das Gerät bereits in Betrieb ist.

## REINIGUNG UND WARTUNG

Schalten Sie das Gerät immer aus, ziehen Sie den Netzstecker aus der Steckdose und lassen Sie es vollständig abkühlen, bevor Sie es reinigen oder Wartungsarbeiten durchführen.



### Warnung:

Tauchen Sie das Gerät, das Netzkabel oder den Stecker niemals in Wasser oder andere Flüssigkeiten.

Verwenden Sie keine Topfkratzer aus Kunststoff oder Metall, grobe Reinigungsmittel, Chemikalien, Benzin, Lösungsmittel oder ähnliche Stoffe, um Teile des Geräts zu reinigen. Es könnte zu ernsthaften Schäden an der Oberfläche kommen.

### Heizelement und Innenraum zum Einsetzen eines Kochgefäßes

Wischen Sie die Außenfläche des Geräts und den inneren Bereich, in den das Kochgefäß gehört, mit einem sauberen, leicht mit warmem Wasser angefeuchteten Geschirrtuch ab.

Entfernen Sie vorher alle Lebensmittelreste.

### Kochgefäß und Zubehör

Waschen Sie das Kochgefäß und das Zubehör nach jedem Gebrauch und halten Sie es sauber. Waschen Sie sie in warmem Wasser mit ein wenig Küchenreiniger. Spülen Sie sie mit klarem Wasser ab und wischen Sie sie trocken.

Wenn Lebensmittel am Boden des Behälters anbrennen, gießen Sie etwas warmes Wasser hinein und fügen Sie ein wenig Küchenreiniger hinzu und lassen Sie es abstehen. Waschen Sie ihn und spülen Sie ihn ab.

Das Kochgefäß darf nicht in der Spülmaschine gewaschen werden.

### Reinigung des Innendeckels

1. Wir empfehlen den Innendeckel nach jedem Gebrauch zu reinigen. Drücken Sie die Taste zum Öffnen des Deckels und öffnen Sie den Deckel.
2. Fassen Sie den Innendeckel in der Mitte am Silikongriff (siehe Abbildung **1A**) und ziehen Sie ihn vorsichtig nach außen, bis Sie den Innendeckel aus dem Deckelbereich herausziehen.
3. Entfernen Sie die Silikondichtung vom Innendeckel (siehe Abbildung **1B**) und waschen Sie beide Teile in warmem Wasser mit etwas Küchenreiniger. Spülen Sie sie mit klarem Wasser ab und wischen Sie sie trocken.
4. Setzen Sie die Silikondichtung des Innendeckels auf den Innendeckel. Die Silikondichtung muss um den gesamten Umfang herum aufgesetzt werden (siehe Abbildung **1C**) und muss perfekt passen. Wenn Sie die Silikondichtung verkehrt herum anbringen, sitzt die Dichtung nicht richtig, sie ist lose und Sie können den Innendeckel nicht einsetzen.

5. Legen Sie dann den Innendeckel so am Deckel an, dass der Pfeil auf dem Innendeckel nach unten zeigt und die Spitze durch das Loch im Innendeckel passt (siehe Abbildung **1D**).
6. Wischen Sie den Bereich, in dem sich der Innendeckel befindet, mit einem trockenen Tuch ab. Sie können das Sicherheitsventil entfernen (von der Außenseite – siehe Abbildung **1E**) und die Silikondichtung des Sicherheitsventils mit einem trockenen Tuch abwischen (von der Innen- sowie Außenseite des Deckels). Sollte die Silikondichtung des Sicherheitsventils stark verschmutzt sein, kann sie von der Innenseite des Deckels herausgenommen werden, indem Sie es an den Seiten zusammendrücken und vorsichtig herausziehen. Waschen Sie die Dichtung in warmem Wasser mit etwas Küchenreiniger. Spülen Sie sie mit klarem Wasser ab und wischen Sie sie trocken. Setzen Sie die trockene und saubere Dichtung mit dem schmaleren Ende in den Bereich des Deckels ein (von der Innenseite) und drücken Sie sie mit dem Finger in die Rille, bis sie um den gesamten Umfang fest sitzt.

## Äußere Oberfläche

Wischen Sie die Außenfläche des Geräts mit einem sauberen, leicht mit warmem Wasser angefeuchteten Geschirrtuch ab. Wischen Sie sie trocken.

Wischen Sie das Bedienfeld nur mit einem trockenen Geschirrtuch ab.

## Lagerung

Vergewissern Sie sich vor der Lagerung, dass das Gerät und sein Zubehör abgekühlt und sauber sind.

Bewahren Sie das Gerät und sein Zubehör an einem trockenen und gut belüfteten Ort außer Reichweite von Kindern und Haustieren auf.

Stellen Sie keine Gegenstände auf das Gerät.

## PROBLEMLÖSUNG

Problem	Ursache	Lösung
Das Display ist ausgeschaltet. Der Heizkörper heizt nicht.	Das Netzkabel ist nicht angeschlossen. Die Leistungsplatine ist beschädigt. Der Verteiler ist getrennt. Die Hauptplatine ist beschädigt.	Prüfen Sie den Schalter, die Gabel, die Wärmesicherung und das Netzkabel. Wenden Sie sich an eine autorisierte Kundendienststelle.
Das Display ist ausgeschaltet. Der Heizkörper heizt.	Die Hauptplatine ist beschädigt.	Wenden Sie sich an eine autorisierte Kundendienststelle.
Das Display ist eingeschaltet. Der Heizkörper heizt nicht.	Die Komponenten des Heizelements sind durchgebrannt. Die Kontakte der Platine sind getrennt. Die Leistungsplatine ist beschädigt.	Wenden Sie sich an eine autorisierte Kundendienststelle.

<b>Problem</b>	<b>Ursache</b>	<b>Lösung</b>
Das Reis ist nicht fertiggekocht oder die Zubereitungszeit dauert zu lange.	Sie haben den Reis nach dem Kochen nicht ausreichend abstehen lassen.	Lassen Sie den Reis abstehen und rühren Sie ihn, damit sich keine Klumpen bilden.
	Das Kochgefäß wurde nicht richtig in den inneren Bereich eingelegt.	Drehen Sie das Kochgefäß so, dass es ausgerichtet und richtig in den inneren Bereich eingelegt ist.
	Das Kochgefäß ist deformiert.	Wenden Sie sich an eine autorisierte Kundendienststelle.
	Die Hauptplatine ist beschädigt.	
	Der Hauptthermostat funktioniert nicht richtig.	
Zu viel Brei, der über den Rand läuft.	Die Hauptplatine ist beschädigt.	Wenden Sie sich an eine autorisierte Kundendienststelle.
	Der Hauptthermostat funktioniert nicht richtig.	
	Im Sicherheitsventil befinden sich ein Fremdkörper.	Reinigen Sie das Sicherheitsventil.
	Sie haben die MAX-Markierung überschritten, die auf der Innenwand des Gefäßes markiert ist. Sie haben nicht genug Wasser hinzugefügt.	Befolgen Sie stets die MIN- und MAX-Markierung. Passen Sie die Menge nach Bedarf an.
	Der Deckel ist nicht richtig geschlossen. Sie haben die falsche Zubereitungsmethode gewählt.	Schließen Sie den Deckel richtig. Wählen Sie die richtige Zubereitungsmethode.
Weder Reis noch Brei wurden lange genug gekocht.	Die Basisplatine ist beschädigt. Der Thermostat der oberen Abdeckung ist nicht in Ordnung.	Wenden Sie sich an eine autorisierte Kundendienststelle.
Auf dem Display erschien folgende Fehlermeldung: E1, E2, E3 oder E4.	Fehler der Sensorschleife.	Wenden Sie sich an eine autorisierte Kundendienststelle.

Wenn das Problem nicht der obigen Tabelle zu entnehmen ist oder das Problem nicht behoben werden konnte, schalten Sie das Gerät aus, ziehen Sie den Stecker des Netzkabels aus der Steckdose und wenden Sie sich an eine autorisierte Kundendienststelle.

**Děkujeme za koupi spotřebiče značky SIGURO. Jsme vděční za vaši důvěru a je nám radostí vám přístroj na dalších stránkách představit a seznámit vás se všemi jeho funkcemi a způsoby použití.**

Věříme ve spravedlivou a odpovědnou společnost, a proto spolupracujeme pouze s dodavateli, kteří splňují naše přísná kritéria ochrany zájmu zaměstnanců, prevence jejich zneužívání a férové pracovní podmínky.

Pokud potřebujete pomoci s rozsáhlou údržbou nebo opravou výrobku, která vyžaduje zásah do jeho vnitřních částí, je vám k dispozici náš autorizovaný servis na emailové adrese siguro@alza.cz nebo operátoři na infolince prodejce. Pro vaše pohodlí při řešení jakýchkoliv problémů s výrobkem jsme tato kontaktní místa sjednotili a výše uvedené kontakty lze využít i případě veškerých reklamací nebo pozáručního servisu.

## BEZPEČNOSTNÍ INFORMACE



**Před použitím si prosím pozorně přečtete tento manuál a uschovejte ho pro budoucí použití.**

1. Tento spotřebič mohou používat děti ve věku 8 let a starší a osoby se sníženými fyzickými, smyslovými nebo mentálními schopnostmi nebo nedostatkem zkušeností a znalostí, pokud jsou pod dozorem nebo byly poučeny o používání spotřebiče bezpečným způsobem a rozumí případným nebezpečím.
2. Děti si se spotřebičem nesmějí hrát.
3. Čištění a údržbu prováděnou uživatelem nesmějí provádět děti, pokud nejsou starší 8 let a pod dozorem.
4. Udržujte spotřebič a jeho přívod mimo dosah dětí mladších 8 let.
5. Jestliže je napájecí přívod poškozen, musí být nahrazen výrobcem, jeho servisním technikem nebo podobně kvalifikovanou osobou, aby se zabránilo vzniku nebezpečné situace.
6. Tento spotřebič je určen pro použití v domácnosti a podobných prostorech, jako jsou:
  - kuchyňské kouty v obchodech, kancelářích a ostatních pracovištích;
  - v zemědělství;
  - hosty v hotelích, motelech a jiných obytných oblastech;
  - v podnicích zajišťujících nocleh se snídaní.
7. Abyste zabránili riziku úrazu elektrickým proudem, neponořujte spotřebič, jeho přívod ani vidlici napájecího přívodu do vody nebo jiné tekutiny.
8. **VÝSTRAHA:** Zabraňte polití nástrčky.
9. Povrchy, které přicházejí do kontaktu s pokrmem, čistěte podle pokynů uvedených v tomto návodu.
10. **VÝSTRAHA:** Hrozí potencionální poranění při nesprávném používání.
11. Povrch topného článku obsahu po použití zbytkové teplo.
12. Před zapojením vidlice napájecího přívodu do síťové zásuvky se ujistěte, že napětí



- uvedené na typovém štítku spotřebičů se shoduje s napětím ve vaší síťové zásuvce.
13. Zapojte vidlici napájecího přívodu do řádně uzemněné síťové zásuvky. Doporučujeme zapojit spotřebič do samostatného elektrického obvodu. Nepoužívejte prodlužovací kabely.
  14. Spotřebič umístěte na rovný, suchý a pevný povrch. Nepokládejte spotřebič do blízkosti ohně nebo jiných zdrojů tepla.
  15. Napájecí přívod nenechávejte viset přes okraj desky nebo stolu. Zabraňte, aby se napájecí přívod dotýkal elektrické nebo plynové desky nebo se dotýkal horkého povrchu.
  16. Spotřebič používejte výhradně s dodávaným napájecím přívodem.
  17. Tento spotřebič je určen pro přípravu potravin, jak je uvedeno v tomto návodu. Nepoužívejte jej k jiným účelům, než ke kterým je určen.
  18. Používejte spotřebič pouze s dodávaným příslušenstvím. Použití příslušenství, které není určeno pro tento spotřebič nebo není specifikováno výrobcem jako vhodné, může vést ke vzniku nebezpečné situace.
  19. Varnou nádobu nepokládejte na plotýnku elektrické nebo plynové desky ani ji nepokládejte do blízkosti ohně nebo jiných zdrojů tepla.
  20. Spotřebič používejte pouze s dodávanou varnou nádobou. Nikdy nepoužívejte spotřebič bez řádně vložené varné nádoby.
  21. Při plnění vždy dodržujte rysky maximální a minimální hladiny, které jsou vyznačeny na stěně varné nádoby.
  22. Varná nádoba je opatřena nepřilnavým povrchem. Abyste jej nepoškodili, používejte k míchání nebo servírování pouze dodávanou lžici. Jiné náčiní, zvláště kovové, by mohlo poničit nepřilnavou povrchovou úpravu.
  23. Před připojením spotřebiče ke zdroji napájení se vždy ujistěte, že je správně sestaven a víko je správně nasazeno.
  24. Tento spotřebič není určen k ovládání prostřednictvím externího časovače, spínače nebo jiného zařízení, které by spotřebič zapínalo a vypínalo.
  25. V žádném případě nezakrývejte bezpečnostní ventil. Hrozí riziko nevratného poškození spotřebiče a vzniku nebezpečné situace.
  26. Uchovávejte ruce a obličej v dostatečné vzdálenosti od bezpečnostního ventilu. Bezpečnostním ventilem uniká pára o velmi vysoké teplotě a hrozí riziko vzniku vážných popálenin.
  27. Dbejte zvýšené opatrnosti při manipulaci se spotřebičem, který obsahuje horké potraviny. Používejte ochranné kuchyňské chňapky.
  28. Víko spotřebiče otevírejte opatrně, abyste se neopařili od unikající páry.
  29. Ve spotřebiči nepřipravujte žádné kyselé nebo zásadité potraviny ani látky, neboť by mohlo dojít ke korozi varné nádoby.
  30. Horkou varnou nádobu pokládejte vždy na teplovzdorný povrch.
  31. Nedotýkejte se spotřebiče nebo napájecího přívodu mokrými nebo vlhkými rukama.
  32. Spotřebič čistěte po každém použití. Varnou nádobu čistěte měkkou houbičkou. Nepoužívejte drátěnky ani hrubé čisticí prostředky, aby nedošlo k narušení nepřilnavé povrchové úpravy.
  33. Napájecí přívod odpojte od síťové zásuvky a od spotřebiče vždy, když nebudete spotřebič používat, pokud ho necháváte bez dozoru, před čištěním, přemístěním, složením nebo rozložením.
  34. Napájecí přívod odpojte vždy uchopením za vidlici, nikoli tahem za napájecí přívod.



**Neponožte do vody!**



## Přehled

- 1 Víko
- 2 Rukojeti
- 3 Ovládací panel
- 4 Tělo rýžovaru
- 5 Protiskluzové nohy
- 6 Výstup páry
- 7 Bezpečnostní ventil
- 8 Tlačítko pro otevření víka
- 9 Vyjímatelná varná nádoba s nepřilnavým povrchem
- 10 Odměrka
- 11 Lžice na míchání a servírování  
Přívodní kabel & Napařovák (bez vyobrazení)

## Ovládací panel

- A Displej
- B Světelné kontrolky přednastavených programů
- C Tlačítko PRESET
- D Tlačítko FUNCTION / CHOOSE
- E Tlačítko WARM / CANCEL

<b>Napájení</b>	220–240 V ~ 50-60 Hz
<b>Příkon</b>	480 W
<b>Max. objem varné nádoby</b>	2 l
<b>Rozměry (Š × V × H)</b>	325 × 274 × 243 cm
<b>Hmotnost</b>	2,8 kg

## POUŽITÍ

### Před prvním použitím

1. Vyjměte spotřebič a jeho příslušenství z obalu. Před likvidací obalu se ujistěte, že jste vyjmuli všechny komponenty. Zkontrolujte, zdali nejsou spotřebič ani žádné příslušenství poškozeny.
2. Varnou nádobu, parní nástavec, odměrku a lžici omyjte v teplé vodě s trochou kuchyňského saponátu, opláchněte a otřete dosucha.
3. Víko, vnější povrch a vnitřní prostor spotřebiče otřete zlehka navlhčenou měkkou utěrkou. Otřete dosucha.

## Příprava před použitím

1. Spotřebič postavte na suchý, rovný a pevný povrch v dostatečné vzdálenosti od síťové zásuvky.
2. Připravte si suroviny, které chcete zpracovat.
3. Stiskněte tlačítko pro otevření víka a do varné nádoby vložte suroviny.
4. Ujistěte se, že je hrana varné nádoby čistá. V případě potřeby ji otřete čistou houbičkou.
5. Zavřete víko. Správné zavření je signalizováno cvaknutím.
6. Zcela rozviňte napájecí přívod. Konektor napájecího přívodu vložte do zásuvky v zadní části spotřebiče a vidlici napájecího přívodu vložte do síťové zásuvky.



**VAROVÁNÍ: PŘI PLNĚNÍ VŽDY DODRŽUJTE RYSKY MAXIMÁLNÍ A MINIMÁLNÍ HLADINY, KTERÉ JSOU VYZNAČENY NA STĚNĚ VARNÉ NÁDOBY. JINAK HROZÍ RIZIKO PŘETEČENÍ A POŠKOZENÍ SPOTŘEBIČE.**

## Příprava rýže – program RICE

K odměřování rýže a vody používejte dodávanou odměrku.

1. Odměřenou rýži nasype do nádoby a několikrát propláchněte, dokud voda není skoro čirá.
2. Maximální množství rýže, které můžete v tomto rýžovaru připravovat, jsou čtyři odměrky neuvařené rýže.
3. Přidejte vodu. Poměr vody a rýže je 1:1. Rýži můžete lehce osolit podle chuti.



### Poznámka:

Množství vody můžete upravit podle osobních preferencí a typu rýže, kterou budete připravovat.

4. Stiskněte tlačítko pro otevření víka a do vnitřního prostoru vložte varnou nádobu s rýží a vodou.
5. V případě potřeby otřete okraj varné nádoby.
6. Stiskněte opakovaně tlačítko **FUNCTION**, dokud se nerozblíká světelná kontrolka „Rice“.
7. Světelná kontrolka „Rice“ bude blikat po dobu asi 5 sekund, poté zazní zvukové upozornění a spotřebič se automaticky spustí.
8. Jakmile je proces přípravy dokončen, zazní pětikrát zvukové upozornění, světelná kontrolka „Rice“ zhasne a spotřebič se automaticky přepne do režimu uchování teploty. Výchozí doba režimu uchování teploty je 12 hodin. Pokud potřebujete režim uchování teploty zrušit, stiskněte tlačítko **CANCEL**.



### Poznámka:

Doba přípravy rýže se může lišit v závislosti na množství neuvařené rýže a poměru rýže a vody. Průměrná doba přípravy rýže je asi 35 minut. Abyste zabránili tvorbě hrudek v rýži, doporučujeme zamíchat rýži, aby došlo k uvolnění nahromaděné páry a vlhkosti.

## Příprava Clay Pot rýže – program Claypot

S rýžovarem Siguro jednoduše uvaříte tradiční jídlo známé především z jižní Číny a jihovýchodní Asie. Nejdříve uvaříte rýži a poté po zaznění signálu postupně přidáváte další suroviny – zeleninu (např. mrkev, papriku atd.), uzeninu nebo maso nakrájené na malé kousky apod.

1. Připravte si všechny suroviny, které budete potřebovat podle receptu na Clay Pot

rýži.

2. Do varné nádoby vložte rýži. Postupujte podle kroků 1–5 v části „Příprava rýže – program RICE“.
3. Stiskněte opakovaně tlačítko **FUNCTION**, dokud se nerozblíká světelná kontrolka „Claypot“.
4. Světelná kontrolka „Claypot“ bude blikat po dobu asi 5 sekund, poté zazní zvukové upozornění a spotřebič se automaticky spustí.
5. Jakmile zazní zvukové upozornění, stiskněte tlačítko **FUNCTION**, abyste zvukové upozornění vypnuli a přerušili chod spotřebiče.
6. Stiskněte tlačítko pro otevření víka.



#### **Varování:**

Budte velmi opatrní při otevírání víka, abyste se neopařili od unikající páry.

7. Přidejte zbývající suroviny a zavřete víko. Chod spotřebiče se automaticky obnoví.
8. Jakmile je proces přípravy dokončen, zazní pětkrát zvukové upozornění, světelná kontrolka „Rice“ zhasne a spotřebič se automaticky přepne do režimu uchování teploty. Výchozí doba režimu uchování teploty je 12 hodin. Pokud potřebujete režim uchování teploty zrušit, stiskněte tlačítko **CANCEL**.

## **Příprava kaše – program PORRIDGE**

Připravte si kaši z mnoha běžně dostupných surovin jako např. rýže, ovesné vločky, pohanka a další. Pro vaření kaše budete potřebovat více vody než příprava obvyčejné rýže. Množství vody závisí na výsledné „jemnosti“ kaše.

Doba přípravy kaše je přibližně 1,5 hodiny.

1. Do varné nádoby vložte suroviny.
2. Stiskněte tlačítko pro otevření víka a do vnitřního prostoru vložte varnou nádobu se surovinami.
3. V případě potřeby otřete okraj varné nádoby.
4. Stiskněte opakovaně tlačítko **FUNCTION**, dokud se nerozblíká světelná kontrolka „Porridge“.
5. Světelná kontrolka „Porridge“ bude blikat po dobu asi 5 sekund, poté zazní zvukové upozornění a spotřebič se automaticky spustí.
6. Jakmile je proces přípravy dokončen, zazní pětkrát zvukové upozornění, světelná kontrolka „Porridge“ zhasne a spotřebič se automaticky přepne do režimu uchování teploty. Výchozí doba režimu uchování teploty je 12 hodin. Pokud potřebujete režim uchování teploty zrušit, stiskněte tlačítko **CANCEL**.

## **Příprava polévky – program SOUP**

Uvařte si vaši oblíbenou polévku. Pro masový vývar použijte maso naporcované na menší části (např. kuřecí křídla, části hovězího nakrájeného na menší kousky). Zeleninu přidejte podle chuti jako pro přípravu standardní polévky.

Doba přípravy polévky je přibližně 2 hodiny.

1. Do varné nádoby vložte suroviny.
2. Stiskněte tlačítko pro otevření víka a do vnitřního prostoru vložte varnou nádobu se surovinami.
3. V případě potřeby otřete okraj varné nádoby.
4. Stiskněte opakovaně tlačítko **FUNCTION**, dokud se nerozblíká světelná kontrolka „Soup“.
5. Světelná kontrolka „Soup“ bude blikat po dobu asi 5 sekund, poté zazní zvukové upozornění a spotřebič se automaticky spustí.

6. Jakmile je proces přípravy dokončen, zazní pětkrát zvukové upozornění, světelná kontrolka „Soup“ zhasne a spotřebič se automaticky přepne do režimu uchování teploty. Výchozí doba režimu uchování teploty je 12 hodin. Pokud potřebujete režim uchování teploty zrušit, stiskněte tlačítko **CANCEL**.

## Příprava v páře – program STEAM

Doba přípravy v páře je přibližně 30 minut.

1. Do varné nádoby vložte suroviny.
2. Stiskněte tlačítko pro otevření víka a do vnitřního prostoru vložte varnou nádobu se surovinami.
3. V případě potřeby otřete okraj varné nádoby.
4. Stiskněte opakovaně tlačítko **FUNCTION**, dokud se nerozblíká světelná kontrolka „Steam“.
5. Světelná kontrolka „Steam“ bude blikat po dobu asi 5 sekund, poté zazní zvukové upozornění a spotřebič se automaticky spustí.
6. Jakmile je proces přípravy dokončen, zazní pětkrát zvukové upozornění, světelná kontrolka „Steam“ zhasne a spotřebič se automaticky přepne do režimu uchování teploty. Výchozí doba režimu uchování teploty je 12 hodin. Pokud potřebujete režim uchování teploty zrušit, stiskněte tlačítko **CANCEL**.

## Funkce KEEP WARM (uchování v teple)

Výchozí doba funkce KEEP WARM je 12 hodin.

1. Zatímco je spotřebič v pohotovostním režimu, stiskněte tlačítko **WARM/CANCEL**.
2. Aktivuje se funkce KEEP WARM a spotřebič začne ohřívat pokrm ve varné nádobě a bude jej uchovávat teplý.
3. Pokud potřebujete funkci KEEP WARM zrušit, stiskněte tlačítko **WARM/CANCEL**.

## Funkce PRESET (odložené spuštění)

1. Do varné nádoby vložte suroviny a vložte ji do spotřebiče.
2. Vyberte způsob přípravy opakovaným stisknutím tlačítka **FUNCTION**.
3. Zatímco bude blikat světelná kontrolka vybrané přípravy, stiskněte tlačítko **PRESET** a na displeji se zobrazí výchozí doba odloženého spuštění.
4. Opakovaným stisknutím tlačítka **PRESET** nastavte dobu, po jejímž uplynutí se spotřebič automaticky spustí. Každým stisknutím tlačítka **PRESET** prodloužíte dobu o 30 minut. Jakmile dosáhnete maximální doby odloženého spuštění, dalším stisknutím tlačítka **PRESET** se zobrazí minimální doba odloženého spuštění. Doba odloženého spuštění můžete nastavit v rozmezí od 1 do 24 hodin.
5. Po úpravě doby přípravy vyčkejte asi 5 sekund, než se doba uloží a spustí se odpočítávání.
6. Jakmile uplyne nastavená doba, spotřebič se automaticky spustí.

Je důležité vybrat způsob přípravy před nastavením doby odloženého spuštění. V opačném pořadí nebude funkce odloženého spuštění fungovat.

Funkci odloženého spuštění není možné nastavit, pokud je spotřebič již v chodu.

## ČIŠTĚNÍ A ÚDRŽBA

Před čištěním nebo jakoukoli údržbou vždy spotřebič vypněte, odpojte vidlici napájecího přívodu od síťové zásuvky a nechte jej zcela vychladnout.

**Varování:**

Nikdy neponožujte spotřebič, napájecí přívod ani vidlici do vody ani jiné tekutiny.

K čištění žádných částí spotřebiče nepoužívejte umělohmotné nebo kovové drátěnky, hrubé čisticí prostředky, chemikálie, benzín, rozpouštědla ani jiné podobné látky. Mohlo by dojít k vážnému narušení povrchové úpravy.

**Topné těleso a vnitřní prostor pro vložení varné nádoby**

Vnější povrch spotřebiče a vnitřní prostor pro vložení varné nádoby otřete čistou utěrkou, kterou jste mírně navlhčili v teplé vodě.

Ujistěte se, že jste odstranili všechny zbytky potravin.

**Varná nádoba a příslušenství**

Varnou nádobu a příslušenství myjte po každém použití a udržujte ji čistou. Omyjte je v teplé vodě s trochou kuchyňského saponátu. Opláchněte čistou vodou a otřete dosucha.

Pokud se potraviny připálí ke dnu nádoby, nalijte do ní trochu teplé vody a přidejte trochu kuchyňského saponátu a nechte odstát. Poté omyjte a opláchněte.

Varnou nádobu nemyjte v myčce.

**Čištění vnitřního víka**

1. Doporučujeme čistit vnitřní víko po každém použití. Stiskněte tlačítko pro otevření víka a otevřete víko.
2. Uchopte vnitřní víko za silikonový úchyt v jeho středu (viz obrázek **1A**) a opatrně táhněte směrem ven, až vytáhnete vnitřní víko z prostoru ve víku.
3. Sejměte silikonové těsnění z vnitřního víka (viz obrázek **1B**) a obě části omyjte v teplé vodě s trochou kuchyňského saponátu. Opláchněte čistou vodou a otřete dosucha.
4. Silikonové těsnění vnitřního víka nasadte na vnitřní víko. Silikonové těsnění je nutné nasadit po celém obvodu (viz obrázek **1C**) a musí na něj zcela pasovat. Pokud nasadíte silikonové těsnění rubovou stranou, nebude těsnění správně sedět, bude uvolněné a nebude možné vnitřní víko vložit zpět.
5. Vnitřní víko poté přiložte k víku tak, aby šípka na vnitřním víku směřovala dolů a aby hrot prošel otvorem ve vnitřním víku (viz obrázek **1D**).
6. Prostor, kde se nachází vnitřní víko, otřete suchou utěrkou. Můžete vyjmout bezpečnostní ventil (z vnější strany – viz obrázek **1E**) a otřít silikonové těsnění bezpečnostního ventilu suchou utěrkou (z vnitřní i vnější strany víka). Pokud je silikonové těsnění bezpečnostního ventilu silně znečištěné, je možné jej vyjmout, a to z vnitřní strany víka tak, že jej stisknete stranami k sobě a opatrně vytáhnete. Omyjte těsnění v teplé vodě s trochou kuchyňského saponátu. Opláchněte čistou vodou a otřete dosucha. Suché a čisté těsnění vložte užším koncem do prostoru ve víku (z vnitřní strany) a prstem jej vpravte do drážky, až bude pevně přichycené po celém obvodu.

**Vnější povrch**

Otřete vnější povrch spotřebiče čistou utěrkou, kterou jste mírně navlhčili v teplé vodě. Otřete dosucha.

Ovládací panel otřete pouze suchou utěrkou.

**Uložení**

Před uložením se ujistěte, že jsou spotřebič i jeho příslušenství vychladlé a čisté.

Spotřebič a jeho příslušenství uložte na suché a dobře větrané místo mimo dosah dětí nebo domácích mazlíčků.

Na spotřebič nepokládejte žádné předměty.

## ŘEŠENÍ PROBLÉMŮ

Problém	Příčina	Řešení
Displej je vypnutý. Topné těleso nehřeje.	Napájecí přívod není zapojen. Napájecí deska je poškozená. Rozvodná deska je odpojená. Základní deska je poškozená.	Zkontrolujte spínač, vidlici, tepelnou pojistku, napájecí přívod. Obratťe se na autorizovaný servis.
Displej je vypnutý. Topné těleso hřeje.	Základní deska je poškozená.	Obratťe se na autorizovaný servis.
Displej je zapnutý. Topné těleso nehřeje.	Komponenty topného tělesa jsou vyhořelé. Kontakty desky jsou odpojené. Napájecí deska je poškozená.	Obratťe se na autorizovaný servis.
Rýže je nedovařená nebo je doba přípravy příliš dlouhá.	Po dokončení přípravy jste nenechali rýži dostatečně odpočinout.	Nechte rýži odpočinout a zamíchejte jí, aby se nevytvřili hrudky.
	Varná nádoba není správně vložena ve vnitřním prostoru.	Otočte varnou nádobu tak, aby byla vyrovnaná a správně vložena ve vnitřním prostoru.
	Varná nádoba je deformovaná.	Obratťe se na autorizovaný servis.
	Základní deska je poškozená.	
	Hlavní termostat není v pořádku.	

<b>Problém</b>	<b>Příčina</b>	<b>Řešení</b>
Velké množství kaše přetéká přes okraj.	Základní deska je poškozená.	Obratťe se na autorizovaný servis.
	Hlavní termostat není v pořádku.	
	V bezpečnostním ventilu je cizí předmět.	Vyčistěte bezpečnostní ventil.
	Překročili jste rysku maxima vyznačenou na vnitřní stěně nádoby. Nepřidali jste dostatečné množství vody.	Vždy dodržujte vyznačené rysky minima a maxima. Podle potřeby upravte množství.
	Víko je špatně zavřené. Zvolili jste nesprávný způsob přípravy.	Zavřete víko správně. Vyberte správný způsob přípravy.
Rýže ani kaše se nevaří dostatečně dlouho.	Deska základního okruhu je poškozená. Termostat horního krytu není v pořádku.	Obratťe se na autorizovaný servis.
Na displeji se zobrazilo chybové hlášení: E1, E2, E3 nebo E4.	Chyba smyčky senzoru.	Obratťe se na autorizovaný servis.

Pokud problém není uveden v tabulce výše nebo se problém nepodařilo vyřešit, vypněte spotřebič, odpojte zástrčku přívodního kabelu od síťové zásuvky a obraťte se na autorizované servisní středisko.



**Ďakujeme za kúpu spotrebiča značky SIGURO. Sme vďační za vašu dôveru a je nám radosťou vám prístroj na ďalších stránkach predstaviť a oboznámiť vás so všetkými jeho funkciami a spôsobmi použitia.**

Veríme v spravodlivú a zodpovednú spoločnosť, a preto spolupracujeme iba s dodávateľmi, ktorí spĺňajú naše prísne kritériá ochrany záujmu zamestnancov, prevencie ich zneužívania a férové pracovné podmienky.

Ak potrebujete pomôcť s rozsiahlou údržbou alebo opravou výrobku, ktorá vyžaduje zásah do jeho vnútorných častí, je vám k dispozícii náš autorizovaný servis na e-mailovej adrese siguro@alza.cz alebo operátori na infolinke predajcu. Pre vaše pohodlie pri riešení akýchkoľvek problémov s výrobkom sme tieto kontaktné miesta zjednotili a vyššie uvedené kontakty je možné využiť aj prípade všetkých reklamácií alebo pozáručného servisu.

## BEZPEČNOSTNÉ INFORMÁCIE



**Pred použitím si, prosím, pozorne prečítajte tento manuál a uschovajte ho na budúce použitie.**

1. Tento spotrebič môžu používať deti vo veku 8 rokov a staršie a osoby so zníženými fyzickými, zmyslovými alebo mentálnymi schopnosťami alebo nedostatkom skúseností a znalostí, ak sú pod dozorom alebo boli poučené o používaní spotrebiča bezpečným spôsobom a rozumejú prípadným nebezpečenstvám.
2. Deti sa so spotrebičom nesmú hrať.
3. Čistenie a údržbu vykonávanú používateľom nesmú vykonávať deti, pokiaľ nie sú staršie ako 8 rokov a pod dozorom.
4. Udržujte spotrebič a jeho prívod mimo dosahu detí mladších ako 8 rokov.
5. Ak je napájací prívod poškodený, musí ho nahradiť výrobca, jeho servisný technik alebo podobne kvalifikovaná osoba, aby sa zabránilo vzniku nebezpečnej situácie.
6. Tento spotrebič je určený na použitie v domácnosti a podobných priestoroch, ako sú:
  - kuchynské kúty v obchodoch, kanceláriách a ostatných pracoviskách;
  - v poľnohospodárstve;
  - izby pre hostí v hoteloch, moteloch a iných obytných oblastiach;
  - v podnikoch zaisťujúcich nocľah s raňajkami.
7. Aby ste zabránili riziku úrazu elektrickým prúdom, neponárajte spotrebič, jeho prívod ani vidlicu napájacieho prívodu do vody alebo inej tekutiny.
8. **VÝSTRAHA:** Zabráňte poliatu nástrčky.
9. Povrchy, ktoré prichádzajú do kontaktu s pokrmom, čistíte podľa pokynov uvedených v tomto návode.
10. **VÝSTRAHA:** Hrozí potenciálne poranenie pri nesprávnom používaní.
11. Povrch ohrievacieho článku obsahuje po použití zvyškové teplo.
12. Pred zapojením vidlice napájacieho prívodu do sieťovej zásuvky sa uistite, že

napätie uvedené na typovom štítku spotrebiča sa zhoduje s napätím vo vašej sietovej zásuvke.

13. Zapájajte vidlicu napájacieho prívodu do riadne uzemnenej sietovej zásuvky. Odporúčame zapojiť spotrebič do samostatného elektrického obvodu. Nepoužívajte predlžovacie káble.
14. Spotrebič umiestnite na rovný, suchý a pevný povrch. Nekladte spotrebič do blízkosti ohňa alebo iných zdrojov tepla.
15. Napájací prívod nenechávajte visieť cez okraj dosky alebo stola. Zabráňte tomu, aby sa napájací prívod dotýkal elektrickej alebo plynovej dosky alebo sa dotýkal horúceho povrchu.
16. Spotrebič používajte výhradne s dodávaným napájacím prívodom.
17. Tento spotrebič je určený na prípravu potravín, ako je uvedené v tomto návode. Nepoužívajte ho na iné účely, než na ktoré je určený.
18. Používajte spotrebič iba s dodávaným príslušenstvom. Použitie príslušenstva, ktoré nie je určené pre tento spotrebič alebo nie je špecifikované výrobcom ako vhodné, môže viesť k vzniku nebezpečnej situácie.
19. Varnú nádobu nekladte na platňu elektrickej alebo plynovej dosky ani ju nekladte do blízkosti ohňa alebo iných zdrojov tepla.
20. Spotrebič používajte iba s dodávanou varnou nádobou. Nikdy nepoužívajte spotrebič bez riadne vlozenej varnej nádoby.
21. Pri plnení vždy dodržujte rysky maximálnej a minimálnej hladiny, ktoré sú vyznačené na stene varnej nádoby.
22. Varná nádoba je opatrená neprilnavým povrchom. Aby ste ho nepoškodili, používajte na miešanie alebo servírovanie iba dodávanú lyžicu. Iné náčinie, obzvlášť kovové, by mohlo poničiť neprilnavú povrchovú úpravu.
23. Pred pripojením spotrebiča k zdroju napájania sa vždy uistite, že je správne zostavený a veko je správne nasadené.
24. Tento spotrebič nie je určený na ovládanie prostredníctvom externého časovača, spínača alebo iného zariadenia, ktoré by spotrebič zapínalo a vypínalo.
25. V žiadnom prípade nezakrývajte bezpečnostný ventil. Hrozí riziko nevratného poškodenia spotrebiča a vzniku nebezpečnej situácie.
26. Uchovávajte ruky a tvár v dostatočnej vzdialenosti od bezpečnostného ventilu. Bezpečnostným ventilom uniká para s veľmi vysokou teplotou a hrozí riziko vzniku vážnych popálení.
27. Dbajte na zvýšenú opatrnosť pri manipulácii so spotrebičom, ktorý obsahuje horúce potraviny. Používajte ochranné kuchynské lapky.
28. Veko spotrebiča otvárajte opatrne, aby ste sa neoparili od unikajúcej pary.
29. V spotrebiči nepripravujte žiadne kyslé alebo zásadité potraviny ani látky, pretože by mohlo dôjsť ku korózii varnej nádoby.
30. Horúcu varnú nádobu ukladajte vždy na teplovzdorný povrch.
31. Nedotýkajte sa spotrebiča alebo napájacieho prívodu mokkými alebo vlhkými rukami.
32. Spotrebič čistíte po každom použití. Varnú nádobu čistíte mäkkou hubkou. Nepoužívajte drôtenky ani hrubé čistiace prostriedky, aby nedošlo k narušeniu neprilnavej povrchovej úpravy.
33. Napájací prívod odpojte od sietovej zásuvky a od spotrebiča vždy, keď nebudete spotrebič používať, ak ho nechávate bez dozoru, pred čistením, premiestnením, zložením alebo rozložením.
34. Napájací prívod odpájajte vždy uchopením za vidlicu, nie ťahom za napájací prívod.



**Neponárajte do vody!**

## Prehľad



- 1 Veko
- 2 Rukoväti
- 3 Ovládací panel
- 4 Telo ryžovaru
- 5 Protišmykové nôžky
- 6 Výstup pary
- 7 Bezpečnostný ventil
- 8 Tlačidlo na otvorenie veka
- 9 Vyberateľná varná nádoba s neprilnavým povrchom
- 10 Odmerka
- 11 Lyžica na miešanie a servírovanie  
Prívodný kábel & Naparovač (bez vyobrazenia)

## Ovládací panel

- A Displej
- B Svetelné kontrolky prednastavených programov
- C Tlačidlo PRESET
- D Tlačidlo FUNCTION/CHOOSE
- E Tlačidlo WARM/CANCEL

<b>Napájanie</b>	220 – 240 V ~ 50 – 60 Hz
<b>Príkion</b>	480 W
<b>Max. objem varnej nádoby</b>	2 l
<b>Rozmery (Š × V × H)</b>	325 × 274 × 243 cm
<b>Hmotnosť</b>	2,8 kg

## POUŽITIE

### Pred prvým použitím

1. Vyberte spotrebič a jeho príslušenstvo z obalu. Pred likvidáciou obalu sa uistite, že ste vybrali všetky komponenty. Skontrolujte, či nie sú spotrebič ani žiadne príslušenstvo poškodené.
2. Varnú nádobu, parný nadstavec, odmerku a lyžicu umyte v teplej vode s trochou kuchynského saponátu, opláchnite a utrite dosucha.
3. Veko, vonkajší povrch a vnútorný priestor spotrebiča utrite mierne navlhčenou mäkkou utierkou. Utrite dosucha.

## Príprava pred použitím

1. Spotrebič postavte na suchý, rovný a pevný povrch v dostatočnej vzdialenosti od sieťovej zásuvky.
2. Pripravte si suroviny, ktoré chcete spracovať.
3. Stlačte tlačidlo na otvorenie veka a do varnej nádoby vložte suroviny.
4. Uistite sa, že je hrana varnej nádoby čistá. V prípade potreby ju utrite čistou hubkou.
5. Zavrite veko. Správne zatvorenie je signalizované cvaknutím.
6. Celkom rozviňte napájací prívod. Konektor napájacieho prívodu vložte do zásuvky v zadnej časti spotrebiča a vidlicu napájacieho prívodu vložte do sieťovej zásuvky.



**VAROVANIE: PRI PLNENÍ VŽDY DODRŽIAVAJTE RYSKY MAXIMÁLNEJ A MINIMÁLNEJ HLADINY, KTORÉ SÚ VYZNAČENÉ NA STENE VARNEJ NÁDOBY. INAK HROZÍ RIZIKO PRETEČENIA A POŠKODENIA SPOTREBIČA.**

## Príprava ryže – program RICE

Na odmeriavanie ryže a vody používajte dodávanú odmerku.

1. Odmeranú ryžu nasypete do nádoby a niekoľkokrát prepláchnite, kým voda nie je skoro číra.
2. Maximálne množstvo ryže, ktoré môžete v tomto ryžovare pripravovať, sú štyri odmerky neu varenej ryže.
3. Pridajte vodu. Pomer vody a ryže je 1 : 1. Ryžu môžete mierne osoliť podľa chuti.



### Poznámka:

Množstvo vody môžete upraviť podľa osobných preferencií a typu ryže, ktorú budete pripravovať.

4. Stlačte tlačidlo na otvorenie veka a do vnútorného priestoru vložte varnú nádobu s ryžou a vodou.
5. V prípade potreby utrite okraj varnej nádoby.
6. Stlačte opakovane tlačidlo **FUNCTION**, kým sa nerozblíka svetelná kontrolka „Rice“.
7. Svetelná kontrolka „Rice“ bude blikať asi 5 sekúnd, potom zaznie zvukové upozornenie a spotrebič sa automaticky spustí.
8. Hneď ako je proces prípravy dokončený, zaznie päťkrát zvukové upozornenie, svetelná kontrolka „Rice“ zhasne a spotrebič sa automaticky prepne do režimu uchovania teploty. Východiskový čas režimu uchovania teploty je 12 hodín. Ak potrebujete režim uchovania teploty zrušiť, stlačte tlačidlo **CANCEL**.



### Poznámka:

Čas prípravy ryže sa môže líšiť v závislosti od množstva neu varenej ryže a pomeru ryže a vody. Priemerný čas prípravy ryže je asi 35 minút. Aby ste zabránili tvorbe hrudiek v ryži, odporúčame zamiešať ryžu, aby došlo k uvoľneniu nahromadenej pary a vlhkosti.

## Príprava ryže Clay Pot – program Claypot

S ryžovarom Siguro jednoducho uvaríte tradičné jedlo známe predovšetkým z južnej Číny a juhovýchodnej Ázie. Najskôr uvaríte ryžu a potom po zaznení signálu postupne pridávate ďalšie suroviny – zeleninu (napr. mrkvu, papriku atď.), údeninu alebo mäso nakrájané na malé kúsky a pod.

1. Pripravte si všetky suroviny, ktoré budete potrebovať podľa receptu na ryžu Clay Pot.

2. Do varnej nádoby vložte ryžu. Postupujte podľa krokov 1 – 5 v časti „Príprava ryže – program RICE“.
3. Stlačte opakovane tlačidlo **FUNCTION**, kým sa nerozblíka svetelná kontrolka „Claypot“.
4. Svetelná kontrolka „Claypot“ bude blikať asi 5 sekúnd, potom zaznie zvukové upozornenie a spotrebič sa automaticky spustí.
5. Hneď ako zaznie zvukové upozornenie, stlačte tlačidlo **FUNCTION**, aby ste zvukové upozornenie vyplí a prerušili chod spotrebiča.
6. Stlačte tlačidlo na otvorenie veka.



#### **Varovanie:**

Buďte veľmi opatrní pri otváraní veka, aby ste sa neoparili od unikajúcej pary.

7. Pridajte zostávajúce suroviny a zavrite veko. Chod spotrebiča sa automaticky obnoví.
8. Hneď ako je proces prípravy dokončený, zaznie päťkrát zvukové upozornenie, svetelná kontrolka „Rice“ zhasne a spotrebič sa automaticky prepne do režimu uchovania teploty. Východiskový čas režimu uchovania teploty je 12 hodín. Ak potrebujete režim uchovania teploty zrušiť, stlačte tlačidlo **CANCEL**.

## **Príprava kaše – program PORRIDGE**

Prípravte si kašu z mnohých bežne dostupných surovín, ako napr. ryža, ovsené vločky, pohánka a ďalšie. Na varenie kaše budete potrebovať viac vody než pri príprave obvyčajnej ryže. Množstvo vody závisí na výslednej „jemnosti“ kaše.

Čas prípravy kaše je približne 1,5 hodiny.

1. Do varnej nádoby vložte suroviny.
2. Stlačte tlačidlo na otvorenie veka a do vnútorného priestoru vložte varnú nádobu so surovinami.
3. V prípade potreby utrite okraj varnej nádoby.
4. Stlačte opakovane tlačidlo **FUNCTION**, kým sa nerozblíka svetelná kontrolka „Porridge“.
5. Svetelná kontrolka „Porridge“ bude blikať asi 5 sekúnd, potom zaznie zvukové upozornenie a spotrebič sa automaticky spustí.
6. Hneď ako je proces prípravy dokončený, zaznie päťkrát zvukové upozornenie, svetelná kontrolka „Porridge“ zhasne a spotrebič sa automaticky prepne do režimu uchovania teploty. Východiskový čas režimu uchovania teploty je 12 hodín. Ak potrebujete režim uchovania teploty zrušiť, stlačte tlačidlo **CANCEL**.

## **Príprava polievky – program SOUP**

Uvarte si vašu obľúbenú polievku. Na mäsový vývar použite mäso naporciované na menšie časti (napr. kuracie krídla, časti hovädzieho nakrájaného na menšie kúsky). Zeleninu pridajte podľa chuti ako na prípravu štandardnej polievky.

Čas prípravy polievky je približne 2 hodiny.

1. Do varnej nádoby vložte suroviny.
2. Stlačte tlačidlo na otvorenie veka a do vnútorného priestoru vložte varnú nádobu so surovinami.
3. V prípade potreby utrite okraj varnej nádoby.
4. Stlačte opakovane tlačidlo **FUNCTION**, kým sa nerozblíka svetelná kontrolka „Soup“.
5. Svetelná kontrolka „Soup“ bude blikať asi 5 sekúnd, potom zaznie zvukové upozornenie a spotrebič sa automaticky spustí.
6. Hneď ako je proces prípravy dokončený, zaznie päťkrát zvukové upozornenie,

svetelná kontrolka „Soup“ zhasne a spotrebič sa automaticky prepne do režimu uchovania teploty. Východiskový čas režimu uchovania teploty je 12 hodín. Ak potrebujete režim uchovania teploty zrušiť, stlačte tlačidlo **CANCEL**.

## Príprava v pare – program STEAM

Čas prípravy v pare je približne 30 minút.

1. Do varnej nádoby vložte suroviny.
2. Stlačte tlačidlo na otvorenie veka a do vnútorného priestoru vložte varnú nádobu so surovinami.
3. V prípade potreby utrite okraj varnej nádoby.
4. Stlačte opakovane tlačidlo **FUNCTION**, kým sa nerozblíka svetelná kontrolka „Steam“.
5. Svetelná kontrolka „Steam“ bude blikať asi 5 sekúnd, potom zaznie zvukové upozornenie a spotrebič sa automaticky spustí.
6. Hneď ako je proces prípravy dokončený, zaznie päťkrát zvukové upozornenie, svetelná kontrolka „Steam“ zhasne a spotrebič sa automaticky prepne do režimu uchovania teploty. Východiskový čas režimu uchovania teploty je 12 hodín. Ak potrebujete režim uchovania teploty zrušiť, stlačte tlačidlo **CANCEL**.

## Funkcia KEEP WARM (uchovanie v teple)

Východiskový čas funkcie KEEP WARM je 12 hodín.

1. Zatiaľ čo je spotrebič v pohotovostnom režime, stlačte tlačidlo **WARM/CANCEL**.
2. Aktivuje sa funkcia KEEP WARM a spotrebič začne ohrievať pokrm vo varnej nádobe a bude ho uchovávať teplý.
3. Ak potrebujete funkciu KEEP WARM zrušiť, stlačte tlačidlo **WARM/CANCEL**.

## Funkcia PRESET (odložené spustenie)

1. Do varnej nádoby vložte suroviny a vložte ju do spotrebiča.
2. Vyberte spôsob prípravy opakovaným stlačením tlačidla **FUNCTION**.
3. Zatiaľ čo bude blikať svetelná kontrolka vybranej prípravy, stlačte tlačidlo **PRESET** a na displeji sa zobrazí východiskový čas odloženého spustenia.
4. Opakovaným stlačením tlačidla **PRESET** nastavte čas, po ktorého uplynutí sa spotrebič automaticky spustí. Každým stlačením tlačidla **PRESET** predĺžite čas o 30 minút. Hneď ako dosiahnete maximálny čas odloženého spustenia, ďalším stlačením tlačidla **PRESET** sa zobrazí minimálny čas odloženého spustenia. Čas odloženého spustenia môžete nastaviť v rozmedzí od 1 do 24 hodín.
5. Po úprave času prípravy vyčkajte asi 5 sekúnd, než sa čas uloží a spustí sa odpočítavanie.
6. Hneď ako uplynie nastavený čas, spotrebič sa automaticky spustí.

Je dôležité vybrať spôsob prípravy pred nastavením času odloženého spustenia. V opačnom poradí nebude funkcia odloženého spustenia fungovať.

Funkciu odloženého spustenia nie je možné nastaviť, ak je spotrebič už v chode.

## ČISTENIE A ÚDRŽBA

Pred čistením alebo akoukoľvek údržbou vždy spotrebič vypnite, odpojte vidlicu napájacieho prívodu od sieťovej zásuvky a nechajte ho celkom vychladnúť.



### **Varovanie:**

Nikdy neponárajte spotrebič, napájací prívod ani vidlicu do vody ani inej tekutiny.

Na čistenie žiadnych častí spotrebiča nepoužívajte umelohmotné alebo kovové drôtenky, hrubé čistiace prostriedky, chemikálie, benzín, rozpúšťadlá ani iné podobné látky. Mohlo by dôjsť k vážnemu narušeniu povrchovej úpravy.

## **Ohrievacie teleso a vnútorný priestor na vloženie varnej nádoby**

Vonkajší povrch spotrebiča a vnútorný priestor na vloženie varnej nádoby utrite čistou utierkou, ktorú ste mierne navlhčili v teplej vode.

Uistite sa, že ste odstránili všetky zvyšky potravín.

## **Varná nádoba a príslušenstvo**

Varnú nádobu a príslušenstvo umývajte po každom použití a udržiujte ju čistú. Umyte ich v teplej vode s trochou kuchynského saponátu. Opláchnite čistou vodou a utrite dosucha.

Ak sa potraviny pripália ku dnu nádoby, nalejte do nej trochu teplej vody a pridajte trochu kuchynského saponátu a nechajte odstáť. Potom umyte a opláchnite.

Varnú nádobu neumývajte v umývačke.

## **Čistenie vnútorného veka**

1. Odporúčame čistiť vnútorné veko po každom použití. Stlačte tlačidlo na otvorenie veka a otvorte veko.
2. Uchopte vnútorné veko za silikónový úchyt v jeho strede (pozrite obrázok **1A**) a opatrne ťahajte smerom von, až vytiahnete vnútorné veko z priestoru vo veku.
3. Odoberte silikónové tesnenie z vnútorného veka (pozrite obrázok **1B**) a obe časti umyte v teplej vode s trochou kuchynského saponátu. Opláchnite čistou vodou a utrite dosucha. Silikónové tesnenie vnútorného veka nasadte na vnútorné veko. Silikónové tesnenie je nutné nasadiť po celom obvode (pozrite obrázok **1C**) a musí naň úplne pasovať. Ak nasadíte silikónové tesnenie rubovou stranou, nebude tesnenie správne sedieť, bude uvoľnené a nebude možné vnútorné veko vložiť späť.
4. Vnútorné veko potom priložte k veku tak, aby šípka na vnútornom veku smerovala dole a aby hrot prešiel otvorom vo vnútornom veku (pozrite obrázok **1D**).
5. Priestor, kde sa nachádza vnútorné veko, utrite suchou utierkou. Môžete vybrať bezpečnostný ventil (z vonkajšej strany – pozrite obrázok **1E**) a utrieť silikónové tesnenie bezpečnostného ventilu suchou utierkou (z vnútornej aj vonkajšej strany veka). Ak je silikónové tesnenie bezpečnostného ventilu silne znečistené, je možné ho vybrať, a to z vnútornej strany veka tak, že ho stlačíte stranami k sebe a opatrne vytiahnete. Umyte tesnenie v teplej vode s trochou kuchynského saponátu. Opláchnite čistou vodou a utrite dosucha. Suché a čisté tesnenie vložte užším koncom do priestoru vo veku (z vnútornej strany) a prstom ho vpravte do drážky, až bude pevne prichytené po celom obvode.

## **Vonkajší povrch**

Utrite vonkajší povrch spotrebiča čistou utierkou, ktorú ste mierne navlhčili v teplej vode. Utrite dosucha.

Ovládací panel utrite iba suchou utierkou.

## Uloženie

Pred uložením sa uistite, že sú spotrebič aj jeho príslušenstvo vychladnuté a čisté. Spotrebič a jeho príslušenstvo uložte na suché a dobre vetrané miesto mimo dosahu detí alebo domácich maznáčikov.

Na spotrebič neklad'te žiadne predmety.

## RIEŠENIE PROBLÉMOV

Problém	Príčina	Riešenie
Displej je vypnutý. Ohrievacie teleso nehreje.	Napájací prívod nie je zapojený. Napájacia doska je poškodená. Rozvodná doska je odpojená. Základná doska je poškodená.	Skontrolujte spínač, vidlicu, tepelnú poistku, napájací prívod. Obráťte sa na autorizovaný servis.
Displej je vypnutý. Ohrievacie teleso hreje.	Základná doska je poškodená.	Obráťte sa na autorizovaný servis.
Displej je zapnutý. Ohrievacie teleso nehreje.	Komponenty ohrievacieho telesa sú vyhoreté. Kontakty dosky sú odpojené. Napájacia doska je poškodená.	Obráťte sa na autorizovaný servis.
Ryža je nedovarená alebo je čas prípravy príliš dlhý.	Po dokončení prípravy ste nenechali ryžu dostatočne odpočinúť.	Nechajte ryžu odpočinúť a zamiešajte ju, aby sa nevytvorili hrudky.
	Varná nádoba nie je správne vložená vo vnútornom priestore.	Otočte varnú nádobu tak, aby bola vyrovnaná a správne vložená vo vnútornom priestore.
	Varná nádoba je deformovaná.	Obráťte sa na autorizovaný servis.
	Základná doska je poškodená.	
	Hlavný termostat nie je v poriadku.	



<b>Problém</b>	<b>Príčina</b>	<b>Riešenie</b>
Veľké množstvo kaše preteká cez okraj.	Základná doska je poškodená.	Obráťte sa na autorizovaný servis.
	Hlavný termostat nie je v poriadku.	
	V bezpečnostnom ventile je cudzí predmet.	Vyčistite bezpečnostný ventil.
	Prekročili ste rysku maxima vyznačenú na vnútornej stene nádoby. Nepridali ste dostatočné množstvo vody.	Vždy dodržujte vyznačené rysky minima a maxima. Podľa potreby upravte množstvo.
	Veko je zle zatvorené. Zvolili ste nesprávny spôsob prípravy.	Zavrite veko správne. Vyberte správny spôsob prípravy.
Ryža ani kaša sa nevaria dostatočne dlho.	Doska základného okruhu je poškodená. Termostat horného krytu nie je v poriadku.	Obráťte sa na autorizovaný servis.
Na displeji sa zobrazilo chybové hlásenie: E1, E2, E3 alebo E4.	Chyba slučky senzora.	Obráťte sa na autorizovaný servis.

Ak problém nie je uvedený v tabuľke vyššie alebo sa problém nepodarilo vyriešiť, vypnite spotrebič, odpojte zástrčku prívodného kábla od sieťovej zásuvky a obráťte sa na autorizované servisné stredisko.

## **Köszönjük, hogy megvásárolta a SIGURO márka termékét. Köszönjük, hogy megtisztelt bennünket a bizalmával! Örömmel mutatjuk be Önnek a készülékünket, a készülék funkcióit és a készülék használatát.**

Hiszünk abban, hogy tisztességes és felelős vállalat vagyunk, ezért csak olyan beszállítókkal dolgozunk együtt, akik megfelelnek a munkavállalók érdekeinek a védelmére, a munkavállalói visszaélések megelőzésére, továbbá a tisztességes munkakörülmények biztosítására vonatkozó szigorú kritériumainknak.

Amennyiben a készüléken olyan karbantartást vagy javítást kíván végrehajtani, amelyhez a készüléket meg kell bontani, akkor forduljon a márkaszervizhez [siguro@alza.cz](mailto:siguro@alza.cz), vagy hívja fel a vevőszolgálatunkat. A kényelmesebb ügyintézés érdekében egybevontuk a kapcsolati helyeinket, így a fenti kapcsolatokat nem csak a javítások és karbantartások megrendeléséhez, hanem a reklamációk benyújtásához vagy a garancia utáni szervizeléshez is fel lehet használni.

## **BIZTONSÁGI INFORMÁCIÓK**



### **A használatba vétel előtt figyelmesen olvassa el a jelen útmutatót, és azt későbbi felhasználásokhoz is őrizze meg.**

1. A készüléket 8 évnél idősebb gyerekek, idős, testi és szellemi fogyatékos személyek, illetve a készülék használatát nem ismerő és hasonló készülék üzemeltetéseinek a tapasztalataival nem rendelkező személyek csak a készülék használati utasítását ismerő és a készülék használatáért felelősséget vállaló személy felügyelete mellett használhatják.
2. A készülék nem játék, azzal gyerekek nem játszhatnak.
3. A készüléket 8 év feletti gyerekek csak felnőtt személy felügyelete mellett tisztíthatják.
4. A készüléket és a hálózati vezetékét tartsa távol a 8 év alatti gyerekektől.
5. Az áramütések megelőzése érdekében, a készülék sérült hálózati vezetékét csak márkaszerviz, vagy villanyszerelő szakember cserélheti ki.
6. A készüléket háztartásokban, illetve a következő helyeken lehet használni:
  - konyhák, irodai és egyéb munkahelyi kiskonyhák;
  - mezőgazdasági üzemek;
  - szállodai és motelszobák, munkásszállások konyháí;
  - turistaszállások, és egyéb jellegű szállások.
7. A készüléket, a hálózati vezetékét és a csatlakozódugót vízbe vagy más folyadékba mártani tilos, ellenkező esetben áramütés érheti.
8. FIGYELMEZTETÉS! Előzze meg a csatlakozódugó vízzel való leöntését.
9. Az élelmiszerekkel kapcsolatba kerülő felületeket csak a jelen útmutató előírásai szerint tisztítsa.
10. FIGYELMEZTETÉS! A helytelen használat személyi sérüléshez vagy balesethez vezethet.
11. A fűtőtest feletti felület a használat után egy ideig még forró marad.

12. A készüléket csak a típuscímkén feltüntetett tápfeszültség értékeivel megegyező hálózathoz szabad csatlakoztatni.
13. A hálózati vezeték csatlakoztassa egy szabályszerűen leföldelt fali aljzathoz. Ha a lehetséges, akkor a készüléket önálló áramkörtől ághoz csatlakoztassa. A készüléket ne üzemeltesse hosszabbító vezetékről.
14. A készüléket csak tiszta, száraz, stabil és vízszintes felületre helyezze le. A készüléket ne tegye forró helyre, nyílt láng vagy más hőforrások közelébe.
15. A készülék hálózati vezetéke nem lóghat le az asztalról vagy a munkalapról. A hálózati vezeték nem érhet hozzá forró tárgyakhoz (pl. elektromos vagy gáztűzhely főzőlapjához).
16. A készüléket csak a mellékelt hálózati vezetékről üzemeltesse.
17. A készülékkel a jelen útmutatóban feltüntetett ételeket lehet főzni. A készüléket a rendeltetésétől eltérő célokra használni tilos.
18. A készülékhez csak a mellékelt tartozékokat használja. Ne használjon olyan tartozékot, amit nem a készülékhez kapott, illetve amit a gyártó nem ajánl a készülékhez. Ezek veszélyes helyzeteket teremthetnek.
19. A belső főzőedényt ne tegye gáz- vagy elektromos tűzhelyre, nyílt lángra, vagy más hőforrásra.
20. A készülékhez csak a mellékelt belső főzőedényt használja. A készüléket ne használja a belső főzőedény nélkül.
21. Az edénybe ne töltsön a minimális szintnél kevesebb, vagy a maximális szintnél több alapanyagot. A szintek jeleit a belső edény falán találja meg.
22. A belső edény felülete tapadásmentes. Ügyeljen arra, hogy a tapadásmentes felületet ne karcolja meg, használja a készülékhez mellékelt kanalat. Fém konyhai eszközök sérülést okozhatnak a tapadásmentes felületben.
23. A készülék hálózathoz csatlakoztatása és bekapcsolása előtt győződjön meg a készülék helyes összeszereléséről, és a fedő helyes felhelyezéséről.
24. A készüléket nem szabad olyan eszközzel (pl. időkapcsolós aljzatról) tápfeszültséggel ellátni, amely automatikusan ki- és bekapcsolja a hozzá csatlakoztatott elektromos fogyasztókat.
25. A biztonsági szelepet ne takarja le. Ez veszélyes helyzeteket teremthet, illetve a készülék meghibásodását okozhatja.
26. A kezét és az arcát tartsa távol a biztonsági szeleptől. A biztonsági szelepen keresztül kiáramló forró gőz égési sérüléseket okozhat.
27. A forró ételt tartalmazó készüléket óvatosan mozgassa és kezelje. Viseljen konyhai kesztyűt.
28. A fedő levétele közben a készülékből forró gőz áramlik ki, ügyeljen arra, hogy a gőz ne égesse meg az arcát vagy a kezét.
29. A készülékben savas vagy lúgos anyagokat ne főzzön, mert ezek korróziót okozhatnak az edény felületén.
30. A forró belső edényt csak hóálló felületre helyezze le.
31. A készüléket és a hálózati vezetékét nedves és vizes kézzel ne fogja meg.
32. A készüléket minden használat után tisztítsa meg. A belső edényt csak puha szivaccsal tisztítsa. Ne használjon drótszivacsot, vagy durva és karcoló tisztítószereket az edény tisztításához, valamint a tapadásmentes felület megsérülhet.
33. A készülék tisztítása és áthelyezése, valamint szét- és összeszerelése előtt, illetve ha a készüléket hosszabb ideig nem kívánja használni, vagy azt felügyelet nélkül hagyja, akkor a készüléket kapcsolja le és a hálózati vezetékét is húzza ki az elektromos aljzathoz.
34. A hálózati vezetékét nem szabad a vezetéknel megfogva a fali aljzathoz kihúzni, ehhez a művelethez a csatlakozódugót fogja meg.



**Vízbe mártani tilos!**



## A készülék részei

- 1 Fedő
- 2 Fogantyú
- 3 Működtető panel
- 4 Készülék ház
- 5 Csúszásgátló lábak
- 6 Gőzelvezető
- 7 Biztonsági szelep
- 8 Fedélnyitó gomb
- 9 Kivehető főzőedény, tapadásmentes felülettel
- 10 Mérőpohár
- 11 Keverő és tálaló kanál  
Hálózati vezeték & Pároló (nincs ábrázolva)

## Működtető panel

- A Kijelző
- B Program kijelzők
- C PRESET gomb
- D FUNCTION / CHOOSE gomb
- E WARM / CANCEL gomb

<b>Tápellátás</b>	220–240 V ~ 50-60 Hz
<b>Teljesítményfelvétel</b>	480 W
<b>Főzőedény hasznos (max.) térfogata</b>	2 l
<b>Méret (szé * ma * mé):</b>	325 × 274 × 24 cm
<b>Tömeg</b>	2,8 kg

## HASZNÁLAT

### Az első használatba vétel előtt

1. Vegye ki a készüléket és tartozékait a dobozból. A csomagolóanyag megsemmisítése előtt ellenőrizze le, hogy abból kivett-e minden tartozékot. Ellenőrizze le a készüléket és tartozékait, illetve azok sérülésmentességét.
2. A főzőedényt, a gőzölő betétet, a mérőpoharat és a kanalat mosogatószeres meleg vízben mosogassa el, öblítse le és törölje szárazra.
3. A fedőt, a készülék külső és belső felületeit enyhén benedvesített puha ruhával törölje meg. Majd törölje szárazra.

## Előkészület a használathoz

1. A készüléket sima és szilárd, valamint vízszintes és száraz helyre, egy fali aljzathoz közel állítsa fel.
2. Készítse elő a feldolgozandó alapanyagokat.
3. Nyomja meg a fedőnyitó gombot, majd a főzőedénybe tegye bele az alapanyagokat.
4. Ügyeljen arra, hogy a főzőedény széle legyen tiszta. Szükség esetén tiszta ruhával törölje meg.
5. Zárja le a fedelet. A megfelelő zárást kattánás jelzi.
6. Teljesen tekerje szét a hálózati vezetékét. A hálózati vezetékét csatlakoztassa a készülék hátulján található aljzathoz, majd a csatlakozódugót dugja a fali aljzatba.



**FIGYELMEZTETÉS! AZ EDÉNYBE NE TÖLTÖN A MINIMÁLIS SZINTNÉL KEVESEBB, VAGY A MAXIMÁLIS SZINTNÉL TÖBB ALAPANYAGOT. A SZINTEK JELEIT A BELSŐ EDÉNY FALÁN TALÁLJA MEG. ELLENKEZŐ ESETBEN AZ ALAPANYAG KIFOLYHAT ÉS A KÉSZÜLÉK MEGHIBÁSODÁSÁT OKOZHATJA.**

## Rizs főzése – RICE program

A rizs és a víz adagolásához a mellékelt mérőpoharat használja.

1. A kimért rizst egy edényben addig öblögesse, amíg a víz nem lesz majdnem tiszta.
2. A készülékben legfeljebb négy mérőpohár száraz rizst lehet főzni.
3. Öntsön vizet az edénybe. A víz és a rizs ajánlott keverési aránya 1:1. Ízlés szerint a rizst sózza meg.



### Megjegyzés

A víz mennyisége a rizs fajtájától és a kívánt puhaságtól függően megváltoztatható.

4. Nyomja meg a fedőnyitó gombot és a főzőedényt a rizsszel és a vízzel tegye a készülékbe.
5. A főzőedény szélét törölje meg.
6. Addig nyomogassa a **FUNCTION** gombot, amíg a RICE kijelző villogni nem kezd.
7. A RICE kijelző körülbelül 5 másodpercig villog, majd a készülék automatikusan megkezdi a főzést.
8. A főzés befejezését öt sípszó jelzi ki, a RICE kijelző elalszik, a készülék automatikusan melegen tartás üzemmódba kapcsol át. A melegen tartás maximális ideje 12 óra. A melegen tartás funkció idő előtti befejezéséhez nyomja meg a **CANCEL** gombot.



### Megjegyzés

A rizs főzési ideje a rizs és a víz mennyiségétől függően változhat. Az átlagos rizsfőzési idő körülbelül 35 perc.

A rizs összeragadását megelőzheti, ha a rizst összekeveri és fellazítja.

## Clay Pot rizs főzése – CLAYPOT program

A Siguro rizsfőzővel egyszerűen tud dél-kínai vagy más délkelet-ázsiai ételeket készíteni. Előbb főzze meg a rizst, majd a sípszó elhangzása után tegye be a többi alapanyagot, például zöldségeket (sárgarépa, paprika stb.), kis darabokra felszeletelt húsokat vagy felvágottakat stb.

1. Készítse elő a Clay Pot rizs recept szerint a felhasználni kívánt alapanyagokat.

2. Az edénybe adagolja be a rizst és a vizet. Hajtsa végre a „Rizs főzése – RICE program” részben leírt 1-5 lépéseket
3. Addig nyomogassa a **FUNCTION** gombot, amíg a CLAYPOT kijelző villogni nem kezd.
4. A CLAYPOT kijelző körülbelül 5 másodpercig villog, majd a készülék automatikusan megkezdja a főzést.
5. Amikor megszólal a sípszó, akkor nyomja meg a **FUNCTION** gombot: A sípszó kikapcsol a készülék leállítja a fűtést.
6. Nyomja meg a fedőnyitó gombot.



### Figyelmeztetés!

A fedő kinyitásakor legyen óvatos, a készülékből forró gőz áramlik ki.

7. Adagolja az edénybe az alapanyagokat és a fedőt zárja le. A készülék automatikusan folytatja a főzést.
8. A főzés befejezését öt sípszó jelzi ki, a CLAYPOT kijelző elalszik, a készülék automatikusan melegen tartás üzemmódba kapcsol át. A melegen tartás maximális ideje 12 óra. A melegen tartás funkció idő előtti befejezéséhez nyomja meg a **CANCEL** gombot.

## Kása főzése – PORRIDGE program

Készíthet kásákat is általánosan elérhető alapanyagokból, például rizsből, zabpehelyből, hajdinából és még sok másból. A kásák készítéséhez a rizs főzésénél több vizet kell használni. A víz mennyisége hatással van a kész kása „puhaságára”.

A kása főzési ideje körülbelül 1-1,5 óra.

1. Az edénybe adagolja be az alapanyagokat.
2. Nyomja meg a fedőnyitó gombot és a főzőedényt az alapanyagokkal a készülékbe.
3. A főzőedény szélét törölje meg.
4. Addig nyomogassa a **FUNCTION** gombot, amíg a PORRIDGE kijelző villogni nem kezd.
5. A PORRIDGE kijelző körülbelül 5 másodpercig villog, majd a készülék automatikusan megkezdja a főzést.
6. A főzés befejezését öt sípszó jelzi ki, a PORRIDGE kijelző elalszik, a készülék automatikusan melegen tartás üzemmódba kapcsol át. A melegen tartás maximális ideje 12 óra. A melegen tartás funkció idő előtti befejezéséhez nyomja meg a **CANCEL** gombot.

## Leves főzése – SOUP program

Megfőzheti a kedvenc levesét is. Húsleves főzéséhez használjon kisebb darabokra szeletelt húsokat (pl. csirkeszárnyat, kockára vágott marhahúst stb.). Zöldségféléket ízlés szerint adagoljon a levesbe.

A leves főzési ideje körülbelül 2 óra.

1. Az edénybe adagolja be az alapanyagokat.
2. Nyomja meg a fedőnyitó gombot és a főzőedényt az alapanyagokkal a készülékbe.
3. A főzőedény szélét törölje meg.
4. Addig nyomogassa a **FUNCTION** gombot, amíg a SOUP kijelző villogni nem kezd.
5. A SOUP kijelző körülbelül 5 másodpercig villog, majd a készülék automatikusan megkezdja a főzést.
6. A főzés befejezését öt sípszó jelzi ki, a SOUP kijelző elalszik, a készülék automatikusan melegen tartás üzemmódba kapcsol át. A melegen tartás maximális ideje 12 óra. A melegen tartás funkció idő előtti befejezéséhez nyomja meg a **CANCEL** gombot.

meg a **CANCEL** gombot.

## Gőzben főzés – STEAM program

A gőzben főzés ideje körülbelül 30 perc.

1. Az edénybe adagolja be az alapanyagokat.
2. Nyomja meg a fedőnyitó gombot és a főzőedényt az alapanyagokkal a készülékbe.
3. A főzőedény szélét törölje meg.
4. Addig nyomogassa a **FUNCTION** gombot, amíg a STEAM kijelző villogni nem kezd.
5. A STEAM kijelző körülbelül 5 másodpercig villog, majd a készülék automatikusan megkezdí a főzést.
6. A főzés befejezését öt sípszó jelzi ki, a STEAM kijelző elalszik, a készülék automatikusan melegen tartás üzemmódba kapcsol át. A melegen tartás maximális ideje 12 óra. A melegen tartás funkció idő előtti befejezéséhez nyomja meg a **CANCEL** gombot.

## KEEP WARM (melegn tartás) funkció

A melegen tartás (KEEP WARM) alapértelmezett beállítása 12 óra.

1. Amikor a készülék készenléti üzemmódban van, akkor nyomja meg a **WARM/CANCEL** gombot.
2. Bekapcsol a melegen tartás (KEEP WARM) funkció, a készülék felmelegíti az ételt és melegen tartja.
3. A melegen tartás (KEEP WARM) funkció idő előtti befejezéséhez nyomja meg a **WARM/CANCEL** gombot.

## Késleltetett indítás (PRESET) funkció

1. Az edénybe adagolja be az alapanyagokat, majd az edényt tegye a készülékbe.
2. A **FUNCTION** gomb nyomogatásával állítsa be a kívánt főzési programot.
3. Amíg a kiválasztott program kijelzője villog, nyomja meg a **PRESET** gombot, a kijelzőn megjelenik a késleltetett indítás alapértelmezett ideje.
4. A **PRESET** gomb nyomogatásával állítsa be a kívánt késleltetési időt (aminek az eltelte után a készülék automatikusan megkezdí a főzést). Egy **PRESET** gombnyomással 30 perccel lehet a késleltetési időt növelni. Amikor a készülék eléri a maximális késleltetési időt, akkor a **PRESET** gomb következő megnyomásával a minimálisan beállítható késleltetési idő jelenik meg. A késleltetett bekapcsolás időtartamát 1 és 24 óra között lehet beállítani.
5. A késleltetési idő beállítása után várjon 5 másodpercet (amíg a készülék elmenti a beállítást).
6. A beállított idő eltelte után a készülék automatikusan megkezdí a főzést.

A késleltetési idő beállítása előtt ne felejtse el beállítani a főzési programot! Fordított sorrendben a késleltetett főzés nem fog működni.

Ha a készülék már működik, akkor késleltetett indítást nem lehet beállítani.

## TISZTÍTÁS ÉS KARBANTARTÁS

Bármilyen karbantartási vagy tisztítási munka megkezdése előtt a készüléket kapcsolja le, és a hálózati csatlakozódugót is húzza ki a fali aljzatból.



### Figyelmeztetés!

A készüléket és a hálózati vezetéket vízbe vagy más folyadékba mártani, vagy folyóvíz alatt elmosni tilos.

A tisztításhoz ne használjon karcoló szemcséket tartalmazó tisztítószeret, drótszivacsot vagy fém eszközöket, illetve agresszív anyagokat (pl. benzint) tartalmazó készítményeket. Ezek a készülék és tartozékai felületén maradandó sérüléseket okozhatnak.

## Fűtőtest és a készülék belső felületei

A készülék belső felületeit (fűtőtestet), mosogatószeres meleg vízzel enyhén benedvesített puha ruhával törölje meg.

Ügyeljen arra, hogy minden szennyeződést eltávolítson, majd a felületeket törölje szárazra.

## Főzőedény és tartozékok

A főzőedényt és az egyéb tartozékokat minden használat után tisztítsa meg. A főzőedényt és a tartozékokat mosogatószeres vízben mosogassa el. Majd tiszta vízzel öblítse le és törölje szárazra.

Ha az edényre étel ragadt vagy égett rá, akkor az edénybe töltsön meleg vizet és cseppentsen bele mosogatószeret, majd hagyja egy kis ideig állni. Majd mosogassa el és öblítse le tiszta vízzel.

A főzőedényt nem lehet mosogatógépben elmosogatni.

## A belső fedél tisztítása

1. Javasoljuk, hogy a belső fedelet minden használat után tisztítsa meg. A fedélnyitó gomb megnyomásával nyissa ki a fedelet.
2. A belső fedelet a közepén található szilikon fogantyúnál **(1A. ábra)** megfogva óvatosan húzza fel, majd a belső fedelet vegye ki.
3. A belső fedélről vegye le a szilikon tömitést **(1B. ábra)**, majd mindkét részt mosogatószeres meleg vízben mosogassa el. Majd tiszta vízzel öblítse le és törölje szárazra.
4. A szilikon tömitést tegye vissza a belső fedélre. A szilikon tömitést a teljes kerületen fel kell ültetni a belső fedélre **(1C. ábra)**. Ha a szilikon tömitést fordítva teszi a fedélre, akkor tömités nem ül fel, illetve a belső fedelet nem lehet visszatenni a helyére.
5. A belső fedelet helyezze a külső fedélre úgy, hogy a belső fedélen található nyíl lefelé nézzen, és hogy a tűske a belső fedélen található furatba kerüljön **(1D. ábra)**.
6. A belső fedél alatti részt száraz ruhával törölje meg. A biztonsági szelepet ki lehet venni (belülről – **1E**). A biztonsági szelep szilikon tömitését száraz ruhával törölje meg (belül és kívül). Ha a szilikon tömités erősen szennyezett, akkor szerelje ki a fedél belső feléről (két oldalról nyomja befelé és óvatosan húzza ki). A tömitést mosogatószeres vízben mosogassa el. Majd tiszta vízzel öblítse le és törölje szárazra. A tiszta és száraz tömitést a szűkebb végével (a fedél belső felén) dugja a furatba, ügyelve arra, hogy a tömités a teljes kerületén felüljön és rögzüljön.

## Külső felület

A készülék külső felületeit mosogatószeres meleg vízzel enyhén benedvesített puha ruhával törölje meg. Majd törölje szárazra.

A működtető panelt csak száraz ruhával törölje meg.

## Tárolás

A tárolás előtt győződjön meg arról, hogy a készülék és tartozékai tiszták és szárazok-e. A terméket száraz és jól szellőző, gyerekektől és háziállatoktól elzárt helyen tárolja.

A készülékre ne helyezzen tárgyakat.



## PROBLÉMAMEGOLDÁS

Probléma	Ok	Megoldás
A kijelző nem működik. A fűtőtest nem fűt.	A tápellátás nem működik. A tápegység meghibásodott. A készülék elektromos rendszere meghibásodott. A vezérlőegység meghibásodott.	Ellenőrizze le a kapcsolót, a csatlakozódugót, a hálózati vezetékét és a kismegszakítót. Forduljon a márkaszervizhez.
A kijelző nem működik. A fűtőtest fűt.	A vezérlőegység meghibásodott.	Forduljon a márkaszervizhez.
A kijelző működik. A fűtőtest nem fűt.	A fűtőtest meghibásodott. Szakadás az elektromos rendszerben. A tápegység meghibásodott.	Forduljon a márkaszervizhez.
A rizs kemény, nem főtt meg, vagy túl hosszú a főzési idő.	A főzés befejezése után nem hagyta pihenni a rizst.	A főzés befejezése után keverje össze és lazítsa fel a rizst, majd hagyja pihenni.
	A főzőedényt rosszul helyezte a készülékbe.	Ügyeljen a főzőedény helyes behelyezésére.
	A főzőedény deformálódott.	Forduljon a márkaszervizhez.
	A vezérlőegység meghibásodott.	
	A termosztát nem működik megfelelő módon.	
A kása egy része kifolyik a főzőedényből.	A vezérlőegység meghibásodott.	Forduljon a márkaszervizhez.
	A termosztát nem működik megfelelő módon.	
	A biztonsági szelep eltömődött.	Tisztítsa meg a biztonsági szelepet.
	A maximális jelnél több alapanyagot tett a főzőedénybe. Kevés vizet adott hozzá az alapanyagokhoz.	Ügyeljen a maximális és minimális szintekre. Csökkentse az alapanyagok mennyiségét.
	A fedő rosszul van lezárva. Nem megfelelő főzési programot állított be.	Zárja le helyesen a fedelet. Válasszon megfelelő főzési programot.

<b>Probléma</b>	<b>Ok</b>	<b>Megoldás</b>
A rizs és a kása csak rövid ideig fől.	A vezérlőegység meghibásodott. A termosztát meghibásodott.	Forduljon a márkaszervizhez.
A kijelzőn hibaüzenet jelent meg: E1, E2, E3 vagy E4	Szenzor áramkör hiba.	Forduljon a márkaszervizhez.

Ha a problémát a táblázatban leírtak szerint nem tudta megszüntetni, akkor a készüléket kapcsolja le és húzza ki a hálózati vezetékét a fali aljzatból, majd forduljon a vevőszolgálatunkhoz vagy a márkaszervizhez.

## ENGLISH

The use of the WEEE Symbol indicates that this product should not be treated as household waste. By ensuring this product is disposed of correctly, you will help protect the environment. For more detailed information about the recycling of this product, please contact your local authority, your household waste disposal service provider, or the shop where you purchased the item.

This product meets all of the related basic EU regulation requirements. The EU declaration of conformity is available on [www.alzashop.com/doc](http://www.alzashop.com/doc).

This product sold in the European Union meet the requirements of Directive 2011/65/EU on the restriction of the use of certain hazardous substances in electrical and electronic equipment (RoHS).

## DEUTSCH

Das WEEE-Symbol weist darauf hin, dass dieses Produkt nicht als normaler Haushaltsabfall behandelt werden darf. Indem Sie sicherstellen, dass dieses Produkt ordnungsgemäß entsorgt wird, tragen Sie zum Schutz der Umwelt bei. Für detailliertere Informationen zum Recycling dieses Produkts wenden Sie sich bitte an Ihre lokale Behörde, Ihren Hausmüllentsorgungsdienstleister oder das Geschäft, in dem Sie das Produkt erworben haben. Dieses Produkt erfüllt alle relevanten EU-Vorschriften. Die EU-Konformitätserklärung ist unter [www.alzashop.com/DoC](http://www.alzashop.com/DoC) einsehbar.

Dieses in der Europäischen Union verkaufte Produkt erfüllt die Anforderungen der EU Richtlinie 2011/65/EU zur Beschränkung der Verwendung bestimmter gefährlicher Stoffe in Elektronikgeräten (RoHS).

## ČESKY

Použití symbolu WEEE označuje, že tento výrobek nesmí být považován za domovní odpad. Zajištěním správné likvidace tohoto výrobku pomůžete chránit životní prostředí. Pro podrobnější informace o recyklaci tohoto výrobku se prosím obraťte na místní úřad zabývající se likvidací domovního odpadu, poskytovatele služby zabývající se likvidací domovního odpadu

nebo obchodu, kde jste produkt zakoupili. Tento výrobek splňuje veškeré základní požadavky směrnic EU.

EU prohlášení o shodě je k dispozici na [www.alzashop.com/doc](http://www.alzashop.com/doc).

Tento výrobek prodávaný v Evropské unii splňuje požadavky směrnice 2011/65/EU omezující používání některých nebezpečných látek v elektrických a elektronických zařízeních (RoHS).

## SLOVENSKY

Použitie symbolu WEEE označuje, že tento výrobok sa nesmie likvidovať s komunálnym odpadom. Ak výrobok správne zlikvidujete, prispějete k ochrane životného prostredia. Podrobnejšie informácie o recyklácii výrobku získate na miestnom zastupiteľstve, u poskytovateľov služieb likvidácie domového odpadu alebo v predajni, v ktorej ste výrobok zakúpili.

Tento výrobok spĺňa všetky základné požiadavky smerníc EÚ. EÚ Vyhlásenie o zhode je k dispozícii na [www.alzashop.com/doc](http://www.alzashop.com/doc).

Tento výrobok, predávaný v Európskej únii, spĺňa požiadavky smernice 2011/65/EU obmedzujúce používanie niektorých nebezpečných látok v elektrických a elektronických zariadeniach (RoHS).

## MAGYAR

A WEEE szimbólum azt jelzi, hogy ez a termék nem kezelhető háztartási hulladékként. A termék helyes megsemmisítésének biztonságával segít védeni a környezetet. A termék újrahasznosításával kapcsolatos részletesebb információkért, kérjük, forduljon a helyi hatóságokhoz, a háztartási hulladékkezelő szolgáltatóhoz vagy a bolthoz, ahol a terméket megvásárolta. Ez a termék megfelel az összes rá vonatkozó EU-s szabályozási követelménynek. Az EU megfeleléségi nyilatkozata a [www.alzashop.com/DoC](http://www.alzashop.com/DoC) címen érhető el. Az Európai Unióban értékesített termékek megfelelnek az elektromos és elektronikai berendezésekben való egyes veszélyes anyagok használatának korlátozására vonatkozó 2011/65/EU (RoHS) irányelvnek.

CE









R20240116

**SIGURO**

Alza.cz a.s., Jankovcova 1522/53, 170 00 Prague 7, Czech Republic  
© 2024 Alza.cz a.s. All Rights Reserved.

[www.siguro.net](http://www.siguro.net)