

SIGURO

Refrigerator wih Bottom Freezer

Refrigerator wih Bottom Freezer
Kühlschrank mit Gefrierfach unten
Lednice s mrazákem dole
Chladnička s mrazničkou dole
Alulfagyasztós hűtőszekrény

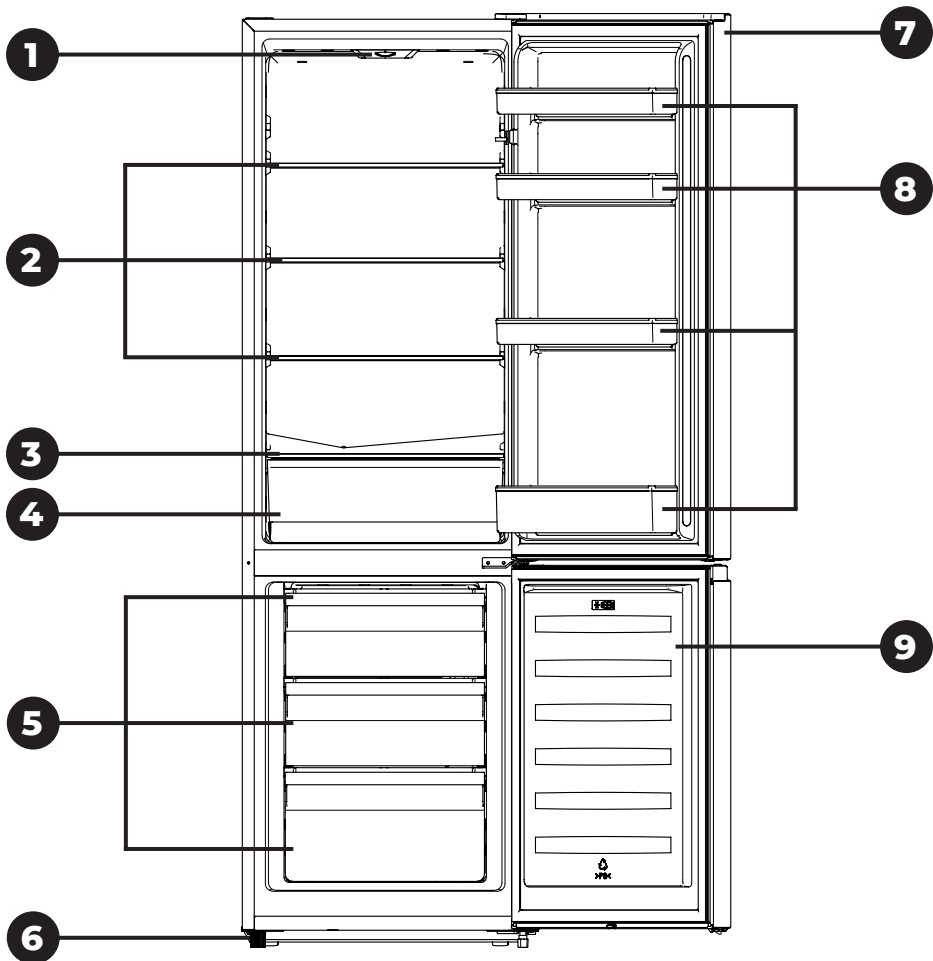


- EN Translation of the operating instructions from the original language.
DE Übersetzung der Bedienungsanleitung aus der Originalsprache.
CZ Návod k použití v originálním jazyce.
SK Preklad návodu na použitie z originálneho jazyka.
HU A használati utasítás fordítása eredeti nyelvről.

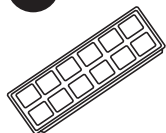
SGR-BF-N140S
SGR-BF-N140Y

SIGURO

ENGLISH	4
Safety information	4
Transport	8
Before use	8
Use	9
Cleaning and maintenance	12
Troubleshooting	13
Choosing door hinge side	15
DEUTSCH	22
Sicherheitshinweise	22
Transport	26
Vorbereitung vor der verwendung	26
Verwendung	28
Reinigung und wartung	30
Problemlösung	32
Änderung der öffnungsrichtung der tür	34
ČESKY	42
Bezpečnostní informace	42
Přeprava	46
Příprava před použitím	46
Použití	48
Čištění a údržba	50
Řešení problémů	51
Otočení směru otevírání dvířek	53
SLOVENSKY	61
Bezpečnostné informácie	61
Preprava	65
Príprava pred použitím	65
Použitie	67
Čistenie a údržba	69
Riešenie problémov	71
Otočenie smeru otvárania dvierok	72
MAGYAR	80
Biztonsági információk	80
Szállítás	84
Előkészület a használatához	84
Használat	86
Tisztítás és karbantartás	88
Problémamegoldás	90
Az ajtónyitás irányának a megváltoztatása	92



10



11



Thank you for purchasing a SIGURO appliance. We are grateful for your trust and are pleased to introduce on the following pages the device, its functions and uses.

We believe in a fair and responsible company, and therefore we only work with suppliers who meet our strict criteria to protect the interests of employees, prevent their abuse and fair working conditions.

If you need help with extensive maintenance or repair of the product that requires intervention in its internal parts, our authorized service center is available at siguro@alza.cz. You may also contact the vendor's helpline. For your convenience in solving potential issues with the product, the unified contact points above can also be used for any complaints or post-warranty service.

SAFETY INFORMATION



Please read this manual carefully before use and keep it for future reference.

1. Children aged at least 8, persons with physical, sensory or mental impairment, and the untrained or inexperienced may use this appliance with instruction or supervision in its safe use, provided they understand the potential dangers.
2. Children must not play with the device.
3. Cleaning and user maintenance may not be performed by unsupervised children.
4. If the power cord is damaged, it must be replaced by the manufacturer, its service agent or similarly qualified persons in order to avoid a dangerous situation.



WARNING: RISK OF FIRE!

5. Children aged 3 to 8 may store food in and remove it from the appliance.
6. **WARNING:** Always keep clear all vents found on the appliance body and frame.
7. **WARNING:** Do not use mechanical devices or means other than those recommended by the manufacturer to speed up the defrosting process.
8. **WARNING:** Do not damage the cooling circuit.
9. **WARNING:** Do not operate electrical appliances inside the food storage compartment, except those cleared for such use by the manufacturer.
10. Do not store potentially explosive substances, such as flammable-propellant sprays, in the appliance.

11. This appliance is designed for home and light commercial use, including:
 - kitchenettes in stores, offices and other workplaces;
 - guest appliances in hotels, motels and other residential environments;
 - bed & breakfast establishments;
 - workplace cantinas and similar non-commercial uses.
12. This appliance is designed as free-standing. It is not designed for built-in or mounted use.
13. Use this appliance only according to the instructions in this manual. For safe food storage, only use the appliance in accordance with the instructions in this manual.
14. Follow these recommendations to avoid contamination of stored food:
 - Leaving the door open for long periods of time can significantly warm the storage compartment.
 - Clean food contact surfaces and accessible drainage systems regularly.
 - Clean water containers that have not been used for 48 hours or longer. Flush the appliance's water circuit when the water supply has been dry or disconnected for 5 days or longer.
 - Store raw meat and fish in the refrigerator in suitable containers, so that they do not come into contact with or drip on other foods.
 - Freezer spaces rated two stars are suitable for storing pre-frozen food, storing and making ice cream, and making ice cubes.
 - Spaces rated three stars or less are not suitable for freezing fresh food.
 - Before prolonged disuse, turn off, defrost, clean and dry the appliance, then leave the door open to prevent mold from forming inside.
15. **WARNING:** Place the appliance so as to keep the power cord from snagging or otherwise becoming damaged.
16. **WARNING:** Do not keep multi-plug sockets or extension cords immediately behind the appliance.
17. **WARNING:** Any servicing or repair involving the removal of the outer shroud is dangerous when not performed by a qualified technician. To avoid electrocution, do not attempt to repair the appliance yourself.
18. Volatile liquids and gases may leak from their containers in low temperatures.
19. Never place carbonated drinks, bottled or canned, in the freezer.
20. Ice cream can cause frostbite if consumed immediately upon removal from a freezer. It is recommended to let it thaw for at least 5 minutes.
21. Do not touch the food in the freezer with wet hands. This way you can avoid frostbite and skin damage.
22. Keep children away from the appliance's controls.
23. The appliance is heavy. Take extra care when handling it. Ideally get a second person to help you.
24. Modifying the appliance in any way is dangerous.
25. The LED lighting in the food compartment may only be replaced by an authorized service technician. Never replace the light yourself.
26. **WARNING:** Cooling appliances, particularly class-I combined cooler-freezers, may not work properly (the temperature in the frozen food compartment may rise above freezing) when exterior temperatures remain below the lower limit of the appliance's operating temperature

range for prolonged periods.

27. **WARNING:** If the door or lid is equipped with a lock, the keys to the lock must be kept away from children and away from the appliance, to avoid the risk of children locking themselves in.
28. **WARNING:** The coolant and insulation materials used in this appliance require special disposal procedures.

Electrical Connection

1. This appliance may only be powered from properly grounded mains outlets supplying 220–240 V ~ 50 Hz. Before plugging the appliance in, make sure the outlet voltage matches the values specified on the appliance rating plate.
2. This appliance may be used with a voltage converter.
3. The power cord should be routed behind the appliance. It should be out of the way and laid on the floor to prevent accidents.
4. Do not unplug the appliance by pulling on the power cord. Pull on the plug instead.
5. Avoid using extension cords; these may degrade the appliance's performance. If the supplied power cord is too short for your needs, it is best to have a mains socket installed closer to it (by a professional electrician).

Climate Class

The appliance's climate class is indicated on its rating plate. The climate class determines the ambient temperatures in which the appliance was designed to operate.

Climate class	Ambient temperature range
SN	10 – 32 °C (50 – 90 °F)
N	16 – 32 °C (60 – 90 °F)
ST	16 – 38 °C (60 – 100 °F)
T	16 – 43 °C (60 – 110 °F)



Note:

The appliance's interior temperature setting should be adapted to the climate class, ambient temperature, opening frequency, etc. Operating the appliance in conditions outside its rated climate class may degrade its performance.

Lock

If the door or lid is equipped with a lock, the keys to the lock must be kept away from children and away from the appliance, to avoid the risk of children locking themselves in.

When disposing of the appliance, destroy the lock to prevent its further use.

R600a Refrigerant

The R600a refrigerant and cyclopentane insulation used in this appliance are safe

for the environment and the ozone layer, and have minimal global warming impacts. However, R600a is a flammable substance. When transporting, installing or otherwise handling the appliance, take care not to damage the cooling circuit, to prevent liquid or gaseous refrigerant leaks. In the event the cooling circuit is damaged and liquid or gaseous refrigerant leaks into the environment, immediately douse any open flame in the area and open all available windows.

Appliances containing refrigerants require professional, environmentally safe disposal. Improper disposal may cause injury, fire, or other hazardous situations. Refrigerants may only be handled by qualified personnel certified to do so. Before disposal, check the cooling circuit for potential damage.

Overview

- 1 Thermostat
- 2 Fridge shelves
- 3 Vegetables tray cover plate
- 4 Fruits and vegetables tray
- 5 Freezer trays
- 6 Adjustable feet
- 7 Fridge door
- 8 Door-mounted trays
- 9 Freezer door
- 10 Ice maker
- 11 Egg tray



TRANSPORT

The appliance must always be transported upright. The packaging is meant to protect the appliance in transit; avoid damaging it during transport.

If there is no choice but to transport the appliance on its side, place it so that the door cannot open, to prevent damage to it. Restore the appliance to upright position as soon as possible. After spending time horizontal, the appliance must remain upright for at least 4 hours before being plugged in and powered on, to give the refrigerant time to settle. Failing to do so risks permanent damage to the appliance, as well as a hazardous operating situation.

The appliance is heavy; we recommend at least two people handle it. Avoid carrying the appliance by the upper frame, the door, etc.

BEFORE USE

Unpacking

Carefully unpack the appliance and remove any tape, stickers, foil, etc.

Selecting a Spot

Place the appliance on a hard, level surface within reach of the mains socket. To avoid excess noise and vibration, do not install on carpets, rugs or similar flooring.

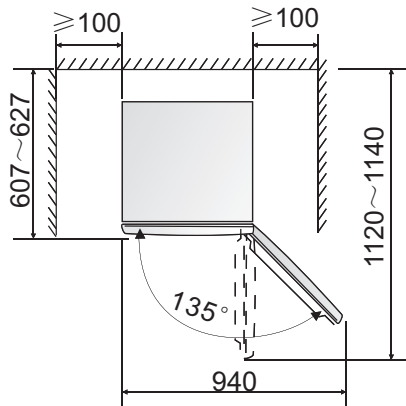
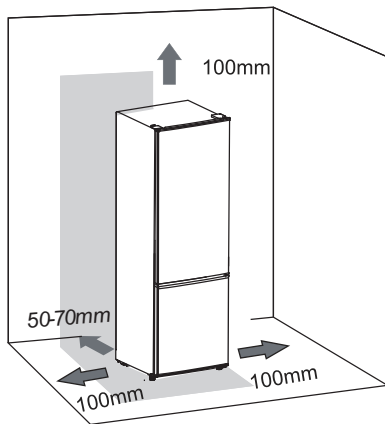
The appliance is designed for domestic, indoor use. Do not install outside or in any spot exposed to rain, snow, moisture or other weather effects.

Level the appliance if necessary. Use the adjustable feet. Screw the feet in or out to change their height. Leveling is important to prevent excessive vibration and noise.

The refrigerant mass is specified on the appliance rating plate.

Provide adequate space for air to circulate around the appliance: at least 50 mm (2 in) on all sides and above – see figure below.

Provide sufficient clearance in front to allow opening the door.



Do not place the appliance near stoves, heaters, or other heat sources. Avoid exposing the appliance to direct sunlight.

Do not install in damp or dusty rooms. Do not cover the vents.

The appliance may interfere with radio and television signals. It should be placed sufficiently far from their receivers.

Cleaning Before Use

Before first use and after prolonged disuse, clean the food compartments and trays with water, either pure or with some white vinegar. Do not use detergents, solvents, hydrocarbon cleaners, etc. These might irreparably damage the finish.

Settle-Down Time

Once installed and cleaned, wait at least 1 hour before plugging the appliance in. This will give the refrigerant time to settle in the cooling circuit.

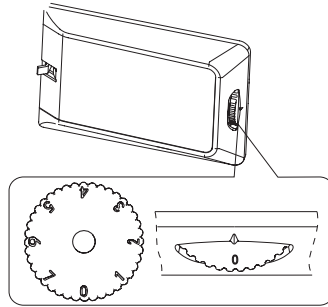
Plugging In

Plug the power cord into a properly grounded mains socket. The appliance must be grounded. The voltage specified on the appliance rating plate must match your mains voltage. In case of doubt, consult your power company or a qualified electrician.

USE

Setting Fridge Temperature

Temperature setting is by thermostat. Turn the thermostat knob to set temperature from "1" (warmest) to "7" (coldest). For normal operation, we recommend setting a value of 2 to 4.



Turning the thermostat to “0” turns off the appliance. Setting the thermostat to “7” will run the compressor continuously regardless of temperature. This setting is suitable for first use after purchase or a long period of disuse, or when cooling or freezing larger amounts of fresh food. We do not recommend keeping the thermostat at “7” permanently. This may lead to excessive icing or partial freezing of the contents of the fridge compartment.



Note:

The appliance may not work properly when sited in a particularly warm room or when the door is frequently opened.

Location of shelves

The inner walls of the refrigerator are equipped with guide grooves to allow positioning of individual shelves according to the food inside the fridge. Release the back of the shelf and pull it out. Insert the shelf into the required guide grooves (equal height on both sides) and slide it into the interior space.

Location of door compartments

The door compartments can be positioned at different heights to comfortably accommodate food of different sizes. Carefully pull the door tray up until it releases. Move it to the desired location and move it down to secure it.

Storing Food

Air cooled by the compressor circulates throughout the appliance interior, making different areas of the interior somewhat different temperatures, and therefore better suited for storing different kinds of food.

Store foodstuffs in their original packaging or in airtight containers to prevent odor and contamination of the food.

Use the fridge area to store non-frozen foods, such as cooked meals, beverages, eggs, dairy, etc. Use the tray to store fruits and vegetables. Use the freezer area to store ice cream, frozen foods, etc.

Suggested Food Placement

Door-mounted trays	Beverages, jams, ketchup, etc.
Fruits and vegetables tray	Fruits, vegetables, refrigerator-safe herbs, etc.
Middle shelf	Dairy, eggs
Top shelf	Foods eaten raw, sausages, ready-made meals, etc.

Freezer trays	Food suitable for long-term storage Bottom tray: raw meat, poultry, fish Middle tray: frozen vegetables, fries Top trays: ice cream, frozen fruits, frozen bread
----------------------	---

Ice maker: Fill with clean potable water and set in the freezer to make ice cubes.

Shopping Tips

- Reduce waste by only buying as much as you know you can use.
- Always check the “best before” date printed on the packaging.
- Check packaging integrity.
- Check appearance and smell, particularly with fruits and vegetables. Only buy fruits and vegetables of flawless appearance.
- Save frozen foods for the last items you take when shopping, and keep them in insulated bags on the way home.
- Always check the integrity of the packaging on packaged foods.
- The freezer can only freeze a certain weight of fresh food per 24 hours of operation. You can find this value on its rating plate. Minimize door opening when freezing fresh foods.
- Before loading fresh food to be frozen, and particularly before loading already-frozen food, always check that the interior is sufficiently cold. Otherwise, frozen food might thaw before the interior cools to freezing.
- When freezing freshly prepared food, let it cool to room temperature before loading.
- Pack fresh foods in packaging sold for the purpose. Label the packages with food name, weight, and date of freezing. Packets should be dry when loaded.

Food Storage Tips

- Regularly check the condition of all stored food; use foodstuffs before they go bad.
- Place the most frequently used items up front to reduce rummaging. This will allow you to close the door again sooner.
- Do not re-freeze defrosted or partly defrosted food.
- Defrosted meat should be heat-treated, not eaten raw.
- Do not overload the fridge. Keep some amount of free space between stored items to allow the cold air to circulate throughout.
- Let food cool to room temperature before loading in the fridge.
- Minimize door opening frequency.
- Only store foods intended for refrigeration / freezing. Some foods, particularly certain fruits and vegetables, do not need to be refrigerated.
- Store food in original packaging or airtight containers to keep it from becoming contaminated or developing a foul odor.
- Do not place food packets in direct contact with the interior liner of the freezer area. Do not place water-rich foods close to the freezer area back plate to keep them from freezing stuck.
- Do not load liquid-filled glassware or canned beverages into the freezer. Water-based liquids increase in volume as they freeze, potentially destroying inflexible containers such as glass or can aluminum.

CLEANING AND MAINTENANCE

Keep the appliance clean. Food residue may accumulate in the fridge and emit a foul odor. We recommend cleaning the shelves and trays at least once a month.



Warning:

Do not immerse the appliance or its power cord in water or other liquids.

Routine Maintenance

Remove all food from the fridge (not the freezer), then remove the shelves and trays. Wash them in warm water with some dish detergent; rinse and wipe dry. Clean the fridge interior with a clean towel slightly dipped in clean, lukewarm water. Wipe dry.

Wipe the door gasket with a soft cloth slightly dipped in warm water.

Wipe the appliance exterior with a soft cloth slightly dipped in warm water with some dish detergent.

Dust off the back of the appliance. You may also use a vacuum cleaner with a brush attachment on low power.

To prevent thawed water from overflowing into the interior of the refrigerator, regularly clean the drain hole located in the rear area of the refrigerator compartment with a long, narrow object.



Warning:

Do not clean with harsh detergents, alkali, solvents, hydrocarbon cleaners, etc. Only use a soft sponge or towel. Do not use scrapers or other hard tools that might scratch the finish.



Warning:

Do not clean with a steam cleaner.

De-Icing

During use, certain parts of the appliance build up ice. This needs to be removed regularly to prevent deterioration of the appliance's function and cooling and power efficiency.

Proceed as follows:

1. Turn off the appliance. Set the thermostat to "0", then unplug the appliance from the mains.
2. Remove all trays. Pack food in old newspapers or other insulation and store in a cool place.
3. Keep the door open. Place a suitable water catchment vessel in the interior.
4. For faster de-icing, you may place a bowl of hot water inside as well.
5. You may also use a plastic scraper to manually remove ice.
6. Once the freezer has been de-iced, wipe it dry with a clean towel.
7. Plug the appliance back in and set the thermostat to your preferred setting. We recommend keeping the thermostat at 7 for the first 12 hours after de-icing.
8. Reload trays with food, then return them into the appliance.



Warning:

Never de-ice with metal tools, hair driers, fans, or other power tools.

Lighting Replacement



Warning:

If the lighting is damaged, the user must not replace it himself. In this case, contact an authorized service centre.

Replacing an LED lamp by an inexperienced person can cause injury or serious malfunction. To avoid a dangerous situation, we recommend that a qualified person performs the replacement. Contact authorized service center.

1. Before replacing the LED bulb, switch off the appliance by turning the thermostat to "0" and unplugging it from the socket.
2. LED fluorescent lamp data: 220-240 V~, max. 1.5 W.
3. Press the shade and slide it backwards.
4. Loosen the screw and remove the fluorescent lamp holder. Remove the LED bulb from the holder and insert a new one.
5. Replace the bracket, secure with the screw and fit the shade.
6. Put the refrigerator back into operation.

Long-Term Power-Down

When not using the appliance, keep it unplugged from the mains. Clean the interior, including the freezer, as described above.

Leave the door open to prevent a stale odor from developing inside.

TROUBLESHOOTING

Problem	Cause	Solution
Fridge not working	Thermostat at "0"	Turn thermostat away from "0".
	Plugged in badly or not at all	Plug appliance in properly.
	Blown or tripped fuse	Check fuse box.
	Mains socket damaged	Contact a qualified electrician.
Interior too cold	Low temperature setting or Quick Freeze on	Change temperature setting / turn off Quick Freeze.

Problem	Cause	Solution
Poor cooling performance	Thermostat setting too warm	Set thermostat to colder.
	Door open too long	Reduce time door is open.
	Hot food or too much food loaded	Check food to identify items that may not need refrigeration. Let food cool down before loading.
	Appliance sited in direct sunlight or near a heat source	Move appliance out of direct sunlight / away from heat source.
Unusual noises	Appliance poorly leveled	Use adjustable feet to re-level appliance.
	Appliance touches wall or other object	Move appliance away from wall / object.
	Part of appliance back touches wall, power cord, or other object	Rearrange appliance so its back touches nothing.
	The following sounds are normal during appliance operation: Sound of compressor running The sound of bubbling water Crackling sound when the fridge defrosts automatically A clicking sound when the compressor starts.	
Water on floor	Clogged drainage port	Clean drainage port.
Foul odor	The interior is dirty.	The refrigerator needs to be cleaned.
	Foods with strong flavours are not properly packaged.	Pack such food properly or place it in an airtight container.
The engine is still running.	This is a common phenomenon, especially in the following cases: The temperature is set lower than necessary. You have put a large quantity of hot food inside. The ambient temperature is too high. The door was open for a long time or opened too often. You have just installed the appliance or have switched it on after a long period of time.	
The door cannot be closed.	The fridge is not levelled.	Level the fridge.
	Food or a container inside prevents the door from closing.	Rearrange the food in the inner compartment.
	Make sure the top of the fridge is tilted backwards by 10 to 15 mm to allow the door to close by itself.	

Problem	Cause	Solution
The LED fluorescent lamp is not lit.	The LED fluorescent bulb broke.	Replace the LED bulb.

If the problem is not listed in the table above or if it persists, turn off the appliance, unplug it from the mains, then contact an authorized service center.

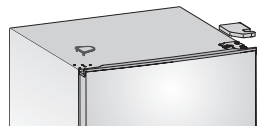
CHOOSING DOOR HINGE SIDE

We recommend getting a second person to help with switching the door hinge from one side to the other. You will need a flat-head screwdriver, Phillips-head screwdriver, and a wrench.

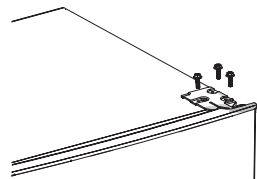
To remove the door, you will need to tilt the appliance back somewhat. We recommend placing the appliance so that it can be tilted back against a wall, to prevent it from falling over during work.

Make sure not to lose any of the parts being removed; you will need all of them later. Do not place the refrigerator in a vertical position. You might damage the cooling circuit.

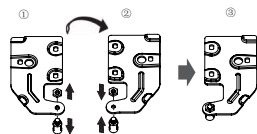
1. Check that the appliance is unplugged. Open the door and remove the door compartments. Close the door.
2. Remove the top hinge cover and the screw hole cover using a flat blade screwdriver or spatula.



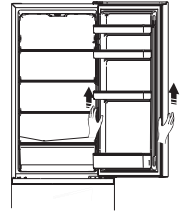
3. Unscrew the screws of the upper hinge and remove it. If necessary, hold the fridge door from the bottom.



4. Remove the axle of the upper hinge, move it to the other side and tighten it firmly. Set aside.



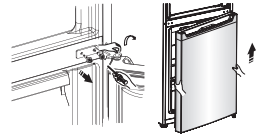
5. Release the fridge door from the centre hinge by carefully lifting it upwards. Be careful not to lose the washer, which could stick to the underside of the fridge door. Set aside.



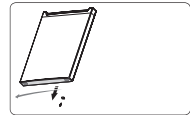
6. Place the fridge door on a soft mat to prevent scratching. Loosen the screw and remove the plug. Install them on the left side and tighten the screw.



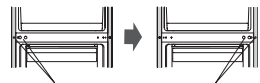
7. Unscrew the screws of the centre hinge, carefully remove it and then lift the freezer door. Be careful not to lose the washer, which could stick to the underside of the freezer door. Set aside.



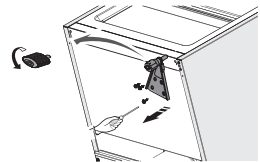
8. Place the freezer door on a soft pad to prevent scratching. Loosen the screw and remove the plug. Install them on the left side and tighten the screw.



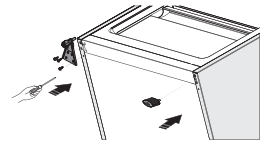
9. Move the middle hinge bolthole covers from left to right.



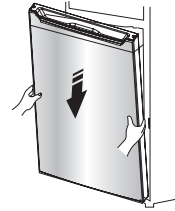
10. Carefully tilt the fridge backwards and unscrew the two adjustable legs. Loosen the front foot plate and lower hinge screws and remove them.



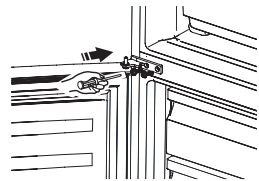
11. Install the bottom hinge on the left side and install the front leg plate on the other side. Secure the screws.



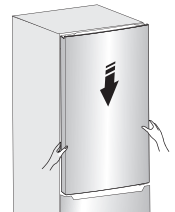
12. Stand the fridge up and put the freezer door on the bottom hinge. Insert the axis of the bottom hinge into the bottom hole of the freezer door and tighten the screws.



13. Turn the centre hinge 180° and move it to the other side. Make sure that the centre hinge axis is inserted in the hole at the top of the freezer door. Tighten the screws.



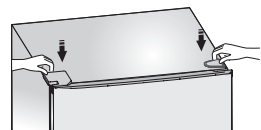
14. Replace the fridge door. Make sure they are straight and that the axis of the centre hinge fits into the bottom opening of the fridge door.



15. Move the top hinge to the other side so that the axis of the top hinge fits into the opening at the top of the fridge door. Align and support the fridge door from below as necessary. Secure the top hinge with screws.



16. Fit the top hinge cover and the screw hole cover.



17. Open the door and reinstall the door trays.



Note:

When remounting both doors, check that their top edges align with the appliance body. If the door is mounted poorly aligned, the door gasket is likely to lose its seal, degrading cooling performance.

Product Information Sheet

COMMISSION DELEGATED REGULATION (EU) 2019/2016 with regard to energy labelling of refrigerating appliances

Supplier's name or trade mark: Siguro

Supplier's address: PL - SIGURO, Jankovcova 1522/53 17000 Praha Holešovice Česká republika

Model identifier: SGR-BF-N140Y

Type of refrigerating appliance:

Low-noise appliance:	No	Design type:	freestanding
Wine storage appliance:	No	Other refrigerating appliance:	No

General product parameters:

Parameter	Value	Parameter	Value
Overall dimensions (millimetre)	Height	Total volume (dm ³ or l)	269
	Width		
	Depth		
EEL	80	Energy efficiency class	D
Airborne acoustical noise emissions (dB(A) re 1 pW)	39	Airborne acoustical noise emission class	C
Annual energy consumption (kWh/a)	168	Climate class:	temperate, subtropical
Minimum ambient temperature (°C), for which the refrigerating appliance is suitable	16	Maximum ambient temperature (°C), for which the refrigerating appliance is suitable	38
Winter setting	No		

Compartment Parameters:

Compartment parameters and values					
Compartment type	Compartment Volume (dm ³ or l)	Recommended temperature setting for optimised food storage (°C) These settings shall not contradict the storage conditions set out in Annex IV, Table 3	Freezing capacity (kg/24h)	Defrosting type (auto-defrost=A, manual defrost=M)	
Pantry	No	-	-	-	-

Wine storage	No	-	-	-	-
Cellar	No	-	-	-	-
Fresh food	Yes	198,0	-	-	M
Chill	No	-	-	-	-
0-star or ice-making	No	-	-	-	-
1-star	No	-	-	-	-
2-star	No	-	-	-	-
3-star	No	-	-	-	-
4-star	Yes	71,0	-	-	M
2-star section	No	-	-	-	-
Variable temperature compartment	-	-	-	-	-
For 4-star compartments					
Fast freeze facility			No		
Light source parameters:					
Type of light source			LED		
Energy efficiency class			-		
Minimum duration of the guarantee offered by the manufacturer: 36 months					
Additional information:					
Weblink to the supplier's website, where the information in point 4 of Annex II of Commission Regulation (EU) 2019/2019 is found: www.siguro.cz					

Product Information Sheet

COMMISSION DELEGATED REGULATION (EU) 2019/2016 with regard to energy labelling of refrigerating appliances

Supplier's name or trade mark: Siguro

Supplier's address: PL - SIGURO, Jankovcova 1522/53 17000 Praha Holešovice Česká republika

Model identifier: SGR-BF-N140S

Type of refrigerating appliance:

Low-noise appliance:	No	Design type:	freestanding
Wine storage appliance:	No	Other refrigerating appliance:	No

General product parameters:

Parameter	Value	Parameter	Value
Overall dimensions (millimetre)	Height	Total volume (dm ³ or l)	269
	Width		
	Depth		
EEL	80	Energy efficiency class	D
Airborne acoustical noise emissions (dB(A) re 1 pW)	39	Airborne acoustical noise emission class	C
Annual energy consumption (kWh/a)	168	Climate class:	temperate, subtropical
Minimum ambient temperature (°C), for which the refrigerating appliance is suitable	16	Maximum ambient temperature (°C), for which the refrigerating appliance is suitable	38
Winter setting	No		

Compartment Parameters:

Compartment parameters and values						
Compartment type	Compartment Volume (dm ³ or l)	Recommended temperature setting for optimised food storage (°C)	Freezing capacity (kg/24h)	Defrosting type (auto-defrost=A, manual defrost=M)		
Pantry	No	-	-	-	-	-

Wine storage	No	-	-	-	-
Cellar	No	-	-	-	-
Fresh food	Yes	198,0	-	-	M
Chill	No	-	-	-	-
0-star or ice-making	No	-	-	-	-
1-star	No	-	-	-	-
2-star	No	-	-	-	-
3-star	No	-	-	-	-
4-star	Yes	71,0	-	-	M
2-star section	No	-	-	-	-
Variable temperature compartment	-	-	-	-	-
For 4-star compartments					
Fast freeze facility			No		
Light source parameters:					
Type of light source			LED		
Energy efficiency class			-		
Minimum duration of the guarantee offered by the manufacturer: 36 months					
Additional information:					
Weblink to the supplier's website, where the information in point 4 of Annex II of Commission Regulation (EU) 2019/2019 is found: www.siguro.cz					

Vielen Dank, dass Sie sich für ein Gerät der Marke SIGURO entschieden haben. Wir sind dankbar für Ihr Vertrauen und freuen uns, Ihnen das Gerät auf den folgenden Seiten vorzustellen und Sie mit all seinen Funktionen und Verwendungszwecken vertraut zu machen.

Wir glauben an ein faires und verantwortungsvolles Unternehmen und arbeiten daher nur mit Lieferanten zusammen, die unsere strengen Kriterien zum Schutz der Interessen der Mitarbeiter, zur Verhinderung von Missbrauch und fairen Arbeitsbedingungen erfüllen.

Wenn Sie Hilfe bei der umfassenden Wartung oder Reparatur des Produkts benötigen, die einen Eingriff in die Innenteile erfordert, stehen Ihnen unser autorisierter Kundendienst unter der E-Mail-Adresse siguro@alza.cz oder die Hotline des Verkäufers zur Verfügung. Bei der Lösung von Problemen mit dem Produkt haben wir diese Kontaktstellen vereinheitlicht. Die oben genannten Kontakte können auch bei Beschwerden oder Nachgarantieservice genutzt werden.

SICHERHEITSHINWEISE



Lesen Sie vor der Anwendung sorgfältig dieses Benutzerhandbuch durch und bewahren Sie es für den künftigen Gebrauch auf.

1. Dieses Gerät kann von Kindern ab 8 Jahren und von Personen mit verminderten physischen, sensorischen und mentalen Fähigkeiten oder mangelnden Erfahrungen und Kenntnissen benutzt werden, sofern sie beaufsichtigt werden oder über die Anwendung des Geräts auf eine sichere Weise belehrt wurden und eventuelle Gefahren verstehen.
2. Kinder dürfen nicht mit dem Gerät spielen.
3. Kinder dürfen keine Reinigungs- und Wartungsarbeiten vornehmen, falls diese nicht beaufsichtigt sind.
4. Wenn das Netzkabel beschädigt ist, muss es vom Hersteller, seinem Servicetechniker oder einer ähnlich qualifizierten Person ersetzt werden, um eine gefährliche Situation zu vermeiden.



HINWEIS: BRANDGEFAHR!

5. Kinder im Alter von 3 bis 8 Jahren können Lebensmittel in das Gerät geben und herausnehmen.

6. **WARNUNG:** Lüftungsöffnungen im Gehäuse oder in der Konstruktion des Geräts müssen freigehalten werden.
7. **WARNUNG:** Verwenden Sie zur Beschleunigung des Abtauvorgangs keine anderen als die vom Hersteller empfohlenen mechanischen Vorrichtungen oder Mittel.
8. **WARNUNG:** Beschädigen Sie nicht den Kühlkreislauf.
9. **WARNUNG:** Benutzen Sie keine elektrischen Geräte in dem Bereich, in dem Lebensmittel gelagert werden, sofern es sich nicht um Modelle handelt, die vom Hersteller empfohlen wurden.
10. Lagern Sie in diesem Gerät keine explosiven Stoffe wie z. B. entflammbare Treibgasprays.
11. Dieses Gerät ist für den Gebrauch im Haushalt und in ähnlichen Bereichen vorgesehen, wie z.B.:
 - Küchenzeilen in Geschäften, Büros und anderen Arbeitsplätzen;
 - Geräte, die von Gästen in Hotels, Motels und anderen Beherbergungsbetrieben verwendet werden;
 - Geräte, die in Bed & Breakfast-Betrieben verwendet werden;
 - Geräte, die in der Gastronomie und ähnlichen nicht kommerziellen Umgebungen verwendet werden.
12. Dieses Gerät ist als freistehendes Gerät konzipiert. Es ist nicht zum Einbau oder zur festen Installation bestimmt.
13. Verwenden Sie dieses Gerät nur gemäß den Anweisungen in dieser Anleitung. Dies gewährleistet eine sichere Lebensmittelaufbewahrung.
14. Befolgen Sie die folgenden Empfehlungen, um eine Kontamination von Lebensmitteln zu vermeiden:
 - Das Öffnen der Tür über einen längeren Zeitraum kann zu einem erheblichen Temperaturanstieg im Geräteinneren führen.
 - Reinigen Sie regelmäßig Oberflächen, die mit Lebensmitteln in Berührung kommen können, und zugängliche Abflusssysteme.
 - Reinigen Sie die Wasserbehälter, wenn diese 48 Stunden lang nicht benutzt worden sind. Spülen Sie das an die Wasserversorgung angeschlossene Wassersystem durch, wenn 5 Tage lang kein Wasser dadurch geflossen ist.
 - Lagern Sie rohes Fleisch und Fisch im Kühlschrank in geeigneten Verpackungen, damit sie nicht mit anderen Lebensmitteln in Berührung kommen oder auf diese tropfen.
 - Die Zwei-Sterne-Gefrierfächer sind die Lagerung von Tiefkühlkost, die Aufbewahrung oder Herstellung von Eis und die Herstellung von Eiswürfeln geeignet.
 - Ein-, Zwei- und Drei-Sterne-Fächer sind nicht zum Einfrieren von frischen Lebensmitteln geeignet.
 - Wenn das Kühlgerät längere Zeit leer bleibt, schalten Sie es aus, tauen Sie es ab, reinigen und trocknen Sie es und lassen Sie die Tür offen, um Schimmelbildung im Geräteinneren zu vermeiden.
15. **WARNUNG:** Achten Sie beim Aufstellen des Geräts darauf, dass das Netzkabel nicht eingeklemmt oder beschädigt wird.
16. **WARNUNG:** Platzieren Sie Mehrfachsteckdosen oder tragbare Verlängerungskabel auf der Rückseite des Geräts.

17. **WARNUNG:** Nur qualifizierte Servicetechniker dürfen Service- oder Reparaturarbeiten durchführen, bei denen u. a. die Abdeckung entfernt werden muss. Reparieren Sie das Gerät nicht selbst, um die Stromunfälle zu vermeiden.
18. Behälter mit brennbaren Gasen oder Flüssigkeiten können bei niedrigen Temperaturen entkommen oder auslaufen.
19. Geben Sie niemals in den Gefrierteil kohlenensäurehaltige oder sprudelnde Getränke, Flaschen oder Dosen.
20. Eis am Stiel sowie Eiscreme können Erfrierungen verursachen, wenn sie unmittelbar nach dem Herausnehmen aus dem Gefrierschrank gegessen werden. Warten Sie daher immer mindestens 5 Minuten, bevor Sie sie essen.
21. Berühren Sie die Lebensmittel im Gefrierschrank nicht mit nassen oder feuchten Händen. Es kann zu Hautverletzungen oder Erfrierungen kommen.
22. Sorgen Sie dafür, dass Kinder nicht mit den Bedienelementen manipulieren.
23. Das Gerät ist schwer. Seien Sie bei der Manipulation mit dem Gerät besonders vorsichtig. Wir empfehlen, dass zwei Erwachsene mit dem Gerät manipulieren.
24. Es ist gefährlich, das Gerät in irgendeiner Weise zu ändern oder zu modifizieren.
25. Die LED-Lampe, die das Innere des Kühlschranks beleuchtet, darf nur von einem autorisierten Servicetechniker ausgetauscht werden. Wechseln Sie die Lampe niemals allein aus.
26. **WARNUNG:** Kühlgeräte – insbesondere Kühl- und Gefrierkombinationen des Typs I – müssen nicht ordnungsgemäß funktionieren (der Inhalt kann auftauen oder die Temperaturen im Gefrierteil können zu hoch sein), wenn sie längere Zeit unter der unteren Grenze des Temperaturbereichs liegen, für den das Kühlgerät vorgesehen ist.
27. **WARNUNG:** Bei Türen und Deckeln, die mit einem Schloss versehen sind, ist es wichtig, dass die Schlüssel des Schlosses außerhalb der Reichweite von Kindern und in ausreichender Entfernung vom Gerät aufbewahrt werden, um zu verhindern, dass Kinder sich im Gerät einschließen.
28. **WARNUNG:** Das Kältemittel im Gerät und das Isoliermaterial erfordern eine besondere Behandlung bei der Entsorgung des Geräts.

Stromanschluss

1. Dieses Gerät muss an eine ordnungsgemäß geerdete 220-240 V ~ 50 Hz Steckdose angeschlossen werden. Vergewissern Sie sich vor dem Anschluss des Geräts an das Stromnetz, dass die Spannung in Ihrer Steckdose, mit der auf dem Typenschild des Geräts angegebenen Spannung übereinstimmt.
2. Das Gerät ist für die Verwendung mit einem Spannungswandler vorgesehen.
3. Das Netzkabel muss hinter dem Gerät führen. Es sollte nicht offen liegen oder herunterhängen, um versehentliche Verletzungen zu vermeiden.
4. Trennen Sie das Gerät niemals durch Ziehen am Netzkabel von der

Netzsteckdose. Ziehen Sie immer am Stecker.

- Benutzen Sie kein Verlängerungskabel, da dies die Leistung des Geräts beeinträchtigen könnte. Wenn das Netzkabel zu kurz ist, wenden Sie sich an einen qualifizierten Elektromonteur oder einen Servicetechniker, um eine Steckdose in der Nähe des Geräts zu installieren.

Klimaklasse

Informationen über die Klimaklasse sind dem Typenschild des Geräts zu entnehmen. Es informiert über die Temperaturen (Temperaturen im Raum, in dem das Gerät steht), die optimal für den Betrieb des Geräts sind.

Klimaklasse	Umgebungstemperaturbereich
SN	Von + 10 °C bis 32 °C
N	Von + 16 °C bis 32 °C
ST	Von + 16 °C bis 38 °C
T	Von + 16 °C bis 43 °C



Bemerkung:

Die Betriebstemperatur des Geräts muss je nach Klimaklasse, Umgebungstemperatur, Häufigkeit des Öffnens der Tür usw. eingestellt werden.

Wenn das Gerät innerhalb der Klimaklasse betrieben wird, für die es nicht vorgesehen ist, funktioniert es möglicherweise nicht richtig.

Verschluss

Wenn das Gerät mit einem Schloss ausgestattet ist, bewahren Sie den Schlüssel an einem sicheren Ort (nicht in der Nähe des Geräts) außerhalb der Reichweite von Kindern auf, damit Sie sich nicht versehentlich im Gerät einschließen können.

Bevor Sie das Gerät umweltgerecht entsorgen, vernichten oder entsorten Sie das Schloss, so dass es nicht mehr verwendet werden kann.

Kühlmittel R600a

Das Kältemittel R600a und das Isoliermaterial Cyclopentan, die in Kühlgeräten verwendet werden, sind umweltfreundlich, schädigen die Ozonschicht nicht und haben nur geringe Auswirkungen auf die globale Erwärmung. Das im Kühlkreislauf enthaltene Kältemittel R600a ist jedoch brennbar. Seien Sie während des Transports, der Installation oder der anderen Manipulation mit dem Gerät besonders vorsichtig, um den Kühlkreislauf nicht zu beschädigen, wodurch das Kältemittel oder Kältemittelgase entkommen könnten. Wenn der Kühlkreislauf beschädigt ist und Kältemittel oder Kältemittelgase entkommen, löschen Sie sofort jedes offene Feuer und öffnen Sie die Fenster.

Geräte, die Kältemittel und Kältemittelgase enthalten, müssen umweltgerecht und fachgerecht entsorgt werden. Eine unsachgemäße Entsorgung kann zu Verletzungen, Entzündungen oder anderen gefährlichen Situationen führen. Mit Kältemittel und Kältemittelgasen darf nur eine qualifizierte Person mit gültiger Zertifizierung manipulieren. Vergewissern Sie sich vor der Entsorgung, dass der Kühlkreislauf nicht beschädigt ist.

Übersicht

- 1 Thermostat
- 2 Kühlschrankregal
- 3 Abdeckung für Gemüsefach
- 4 Gemüse-/Obstfach
- 5 Gefrierschrank-Schubladen
- 6 Verstellbare Füße
- 7 Kühlschranktür
- 8 Türfächer
- 9 Gefrierschrank-Tür
- 10 Eiswürfelform
- 11 Eierhalter



TRANSPORT

Das Gerät darf nur in aufrechter Position transportiert werden. Das Verpackungsmaterial dient dem Schutz des Geräts während des Transports und muss während des Transports unversehrt bleiben.

Wenn das Gerät unbedingt in horizontaler Lage transportiert werden muss, muss es so aufgestellt werden, dass sich die Türen nicht öffnen und somit nicht beschädigt werden. Danach muss das Gerät in aufrechte Position gestellt werden. Das Einstecken des Netzsteckers und das Einschalten des Geräts dürfen frühestens 4 Stunden nach dem Aufstellen in aufrechte Position durchgeführt werden, damit sich das Kältemittel im Kühlsystem setzen kann. Andernfalls könnte das Gerät irreversibel beschädigt werden, was zu einer gefährlichen Situation führen könnte.

Das Gerät ist schwer und wir empfehlen daher, dass bei der Manipulation mindestens zwei Personen anwesend sind. Vermeiden Sie es, das Gerät am oberen Rahmen, an der Tür usw. zu tragen.

VORBEREITUNG VOR DER VERWENDUNG

Auspacken des Geräts

Packen Sie den Kühlschrank vorsichtig aus und entfernen Sie alle Bänder, Etiketten oder sonstige Folien.

Auswahl des Installationsortes

Stellen Sie das Gerät auf eine feste und gerade Oberfläche in ausreichender Entfernung von der Netzsteckdose auf. Stellen Sie den Kühlschrank nicht auf Teppichen, Matten oder ähnlichem Material auf, da dies zu unerwünschten Vibrationen und übermäßigen Geräuschen führen kann.

Dieses Gerät ist für den Gebrauch im Haushalt und innerhalb von Gebäuden vorgesehen. Stellen Sie ihn nicht im Freien oder an einem Ort auf, an dem es Regen, Schnee, Feuchtigkeit oder anderen Witterungsbedingungen ausgesetzt ist.

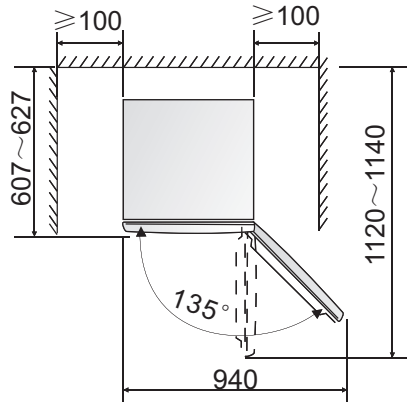
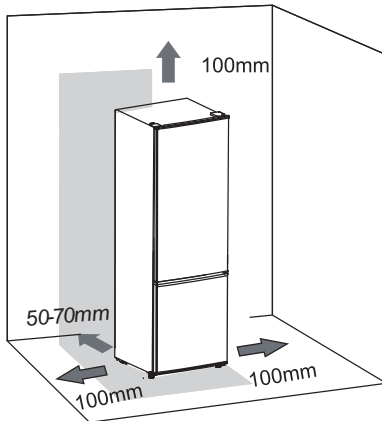
Falls erforderlich, gleichen Sie den Kühlschrank aus. Hierzu dienen die verstellbaren

FüÙe. Schrauben Sie sie heraus oder hinein, um den Kùhlschrank auszugleichen. Dies ist wichtig, damit der Kùhlschrank keine unerwùnschten Vibrationen und ùbermàÙigen Làrm verursacht.

Die Menge des Kàltemittels ist dem Typenschild zu entnehmen.

Um das Geràt herum muss ein ausreichender Freiraum fùr eine gute Luftzirkulation gewàhrleistet werden, und zwar mindestens 50 mm an allen Seiten und oben – siehe Abbildung unten.

Sorgen Sie dafùr, dass vor dem Geràt genùgend Freiraum ist, damit Sie die Tùr ungehindert òffnen kùnnen.



Stellen Sie den Kùhlschrank nicht in der Nàhe von Òfen, Heizungen oder anderen Wàrmequellen auf. Vermeiden Sie, dass der Kùhlschrank direktem Sonnenlicht ausgesetzt wird.

Stellen Sie den Kùhlschrank nicht in feuchten oder staubigen Ràumen auf. Verdecken Sie niemals die Belùftungsòffnungen.

Der Kùhlschrank kann Stòrungen bei Rundfunk- und Fernsehgeràten verursachen. Vergewissern Sie sich, dass der Kùhlschrank in ausreichender Entfernung zu diesen Geràten aufgestellt wird.

Reinigung vor der Verwendung

Vor der Erstverwendung oder wenn Sie den Kùhlschrank lãngere Zeit nicht benutzt haben, reinigen Sie den Innenraum, alle Regale und Fãcher mit sauberem Wasser, eventuell kùnnen Sie etwas weiÙen Essig ins Wasser geben. Verwenden Sie niemals Reinigungsmittel, Lòsungsmittel, Benzin usw., da Sie die Oberflãche beschãdigen und den Kùhlschrank irreparabel beschãdigen kùnnten.

Wie lange Sie den Kùhlschrank stehen lassen sollen

Warten Sie nach der Installation und Reinigung mindestens 1 Stunde, bevor Sie den Stecker in die Steckdose stecken, um einen ordnungsgemãÙen Betrieb zu gewàhrleisten. Wãhrend dieser Zeit wird das Kàltemittel gleichmãÙig im Kreislauf verteilt.

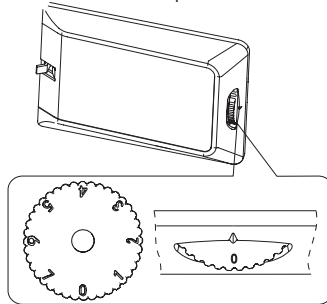
Anschluss an die Stromquelle

Stecken Sie den Stecker in eine ordnungsgemäß geerdete Steckdose. Das Gerät muss geerdet sein. Die auf dem Typenschild des Geräts angegebene Spannung muss mit der Spannung an Ihrer Steckdose übereinstimmen. Sollten Sie Zweifel haben, wenden Sie sich an Ihren Stromanbieter oder einen qualifizierten Elektromonteur.

VERWENDUNG

Einstellung der Kühlschranktemperatur

Die Innentemperatur wird durch einen Thermostat geregelt. Durch Drehen des Thermostats können Sie die gewünschte Temperatur einstellen, wobei der Wert „1“ die höchste Temperatur und der Wert „7“ die niedrigste Temperatur darstellt. Für den Normalbetrieb wird ein Wert von 2 bis 4 empfohlen.



Wenn Sie den Thermostat in die Position „0“ versetzen, wird der Kühlschrank ausgeschaltet. Wenn Sie den Wert auf „7“ einstellen, läuft der Kompressor weiter. Dieser Wert sollte eingestellt werden, wenn Sie den Kühlschrank zum ersten Mal oder nach längerer Zeit einschalten oder wenn Sie größere Mengen an frischen Lebensmitteln in den Kühlschrank geben oder einfrieren möchten. Der Wert „7“ sollte jedoch nicht beim Langzeitbetrieb des Kühlschranks eingestellt werden. Es kann sich übermäßiger Frost bilden, wodurch die Lebensmittel im Kühlschrank teilweise einfrieren könnten.



Bemerkung:

Der Kühlschrank funktioniert möglicherweise nicht richtig, wenn er in einem warmen Raum steht oder wenn Sie die Tür häufig öffnen.

Positionierung der Regale

Die Innenwände des Kühlschranks sind mit Führungsgrillen versehen, so dass die Positionierung der einzelnen Regale gemäß der Lebensmittel im Kühlschrank angepasst werden kann. Lösen Sie die Rückseite des Regals und ziehen Sie es heraus. Setzen Sie das Regal in die erforderlichen Führungsgrillen ein (achten Sie auf die gleiche Höhe auf beiden Seiten) und schieben Sie es in den Kühlschrank hinein.

Positionierung der Türfächer

Die Türfächer können in verschiedenen Höhen positioniert werden, so dass Lebensmittel in verschiedenen Größen bequem in den Kühlschrank passen. Ziehen Sie das Türfach vorsichtig nach oben, bis es sich löst. Bringen Sie ihn an die gewünschte Stelle und schieben Sie ihn nach unten, um ihn zu sichern.

Lagerung von Lebensmitteln

Die kalte Luft zirkuliert im gesamten Bereich des Kühlschranks, so dass die Temperatur in verschiedenen Bereichen des Kühlschranks unterschiedlich ist, weshalb verschiedene Arten von Lebensmitteln an verschiedenen Stellen gelagert werden sollten. Geben Sie in den Kühlschrank originalverpackte Lebensmittel oder Lebensmittel in luftdichten Behältern, um unangenehme Gerüche oder eine mögliche Kontamination zu vermeiden.

Bewahren Sie im Kühlschrank frische Lebensmittel wie gekochte Speisen, Getränke, Eier, Milchprodukte usw. im Kühlfach auf. Lagern Sie Gemüse und Obst in der Schublade. Eis, Tiefkühlkost, Lebensmittel usw. sollten im Gefrierfach gelagert werden.

Anordnung der Lebensmittel im Kühlschrank

Türfächer	Getränke, Konfitüren, Würzmittel (z. B. Senf)
Gemüse-/Obstfach	Obst, Gemüse und Kräuter, die im Kühlschrank aufbewahrt werden
Mittleres Regal	Milchprodukte, Eier
Oberes Regal	Lebensmittel, die nicht gekocht werden müssen: Aufschnitt, Fertiggerichte usw.
Gefrierschrank-Schubladen	Lebensmittel, die lange gelagert werden können. Untere Schublade: rohes Fleisch, Geflügel oder Fisch Mittlere Schublade: tiefgekühltes Gemüse, Pommes frites Obere Schubladen: Eiscreme, gefrorenes Obst, gefrorenes Gebäck

Eiswürfelform: Füllen Sie die Eiswürfelform mit sauberem Trinkwasser und stellen Sie ihn in den Gefrierfachteil.

Beim Einkaufen von Lebensmitteln:

- Um Verschwendung zu vermeiden, sollten Sie eine Einkaufsliste erstellen und nur angemessene Mengen Lebensmittel kaufen.
- Achten Sie immer auf das Verfallsdatum, das der Verpackung zu entnehmen ist.
- Überprüfen Sie den Zustand der Verpackung auf Schäden.
- Überprüfen Sie vor allem bei Obst und Gemüse dessen Aussehen und Geruch. Kaufen Sie nur unversehrtes Obst und Gemüse.
- Legen Sie Tiefkühlkost zuletzt in den Einkaufskorb und verwenden Sie spezielle Beutel für deren Transport.
- Überprüfen Sie beim Kauf von verpackten Lebensmitteln immer, dass die Verpackung unversehrt ist.
- Beachten Sie die maximale Menge an Lebensmitteln, die innerhalb von 24 Stunden eingefroren werden können. Diese Angabe ist dem Typenschild zu entnehmen. Öffnen Sie während dieser Zeit die Gefriertür so wenig wie möglich.
- Vergewissern Sie sich immer, dass der Innenbereich ausreichend abgekühlt ist, bevor Sie tiefgekühlte oder frische Lebensmittel hineinlegen, insbesondere wenn im Innenbereich bereits gefrorene Lebensmittel aufbewahrt werden. Andernfalls könnten sie auftauen.
- Lassen Sie heiße Speisen vor dem Einfrieren vollständig abkühlen.
- Verpacken Sie frische Lebensmittel in Beutel, um diese richtig aufzubewahren.

Markieren Sie sie mit Namen, Gewicht und Datum. Die Beutel sollten vor dem Hineinlegen in den Gefrierteil trocken sein.

Bei der Lagerung von Lebensmitteln:

- Kontrollieren Sie regelmäßig den Zustand der gelagerten Lebensmittel und verzehren Sie sie rechtzeitig.
- Legen Sie Lebensmittel, die Sie regelmäßig essen oder zubereiten, nach vorne. Dies verkürzt die Zeit, während der die Tür geöffnet ist.
- Aufgetaute oder teilweise aufgetaute Lebensmittel sollten nicht wieder tiefgekühlt werden.
- Aufgetautes Fleisch sollte gekocht werden.
- Bewahren Sie nicht zu viele Lebensmittel im Kühlschrank auf. Sorgen Sie dafür, dass um die Lebensmittel herum ein freier Raum gewährleistet wird, damit kalte Luft ungehindert fließen kann.
- Lassen Sie heiße Speisen abkühlen, bevor Sie sie in den Kühlschrank geben.
- Öffnen Sie die Kühlschranktür nicht zu oft.
- Bewahren Sie nur Lebensmittel im Kühlschrank auf, die für die Aufbewahrung im Kühlschrank bestimmt sind. Einige Lebensmittel, insbesondere Obst und Gemüse, müssen nicht im Kühlschrank aufbewahrt werden.
- Geben Sie in den Gefrierteil originalverpackte Lebensmittel oder Lebensmittel in luftdichten Behältern, um unangenehme Gerüche oder eine mögliche Kontamination zu vermeiden.
- Wenn Sie Lebensmittel im Gefrierteil aufbewahren, halten Sie Abstand zur Innenwand. Stellen Sie wasserhaltige Lebensmittel nicht zu nah an die Rückwand, damit sie nicht anfrieren.
- Stellen Sie keine mit Flüssigkeit gefüllten Gläser oder Getränke in Dosen in den Gefrierteil. Es besteht die Gefahr von Schäden, da eingefrorene Flüssigkeiten an Volumen zunehmen.

REINIGUNG UND WARTUNG

Halten Sie den Kühlschrank sauber. Essens- oder Lebensmittelreste können einen unangenehmen Geruch im Kühlschrank verursachen. Wir empfehlen, die Regale, Schubladen und Fächer mindestens einmal im Monat zu reinigen.



Warnung:

Tauchen Sie das Gerät, das Netzkabel oder den Stecker niemals in Wasser oder andere Flüssigkeiten.

Routinemäßige Wartung

Nehmen Sie alle Lebensmittel aus dem Kühlschrank, aber nicht aus dem Gefrierteil, und dann die Regale, Schubladen und Fächer heraus. Waschen Sie diese Teile in warmem Wasser mit etwas Geschirrspülmittel, spülen Sie sie ab und wischen Sie sie trocken.

Wischen Sie den Innenbereich des Kühlschranks mit einem sauberen Tuch ab, das ein wenig mit sauberem, lauwarmem Wasser angefeuchtet ist. Wischen Sie sie trocken. Wischen Sie die Türdichtung mit einem weichen mit etwas warmem Wasser angefeuchteten Tuch ab.

Wischen Sie die äußere Oberfläche des Kühlschranks mit einem weichen mit etwas warmem Wasser mit Geschirrspülmittel angefeuchteten Tuch ab.

Entfernen Sie den Staub auf der Rückseite des Kühlschranks. Sie können auch einen Staubsauger mit Bürstendüse benutzen, der auf eine niedrige Leistung eingestellt ist. Damit das aufgetaute Wasser nicht in den Innenbereich des Kühlschranks überläuft, reinigen Sie regelmäßig die Abflussöffnung an der Rückseite des Kühlteils mit einem langen, schmalen Gegenstand.



Warnung:

Verwenden Sie zur Reinigung keine groben Putzmittel, alkalische Reiniger, Lösungsmittel, Benzin usw. Verwenden Sie nur einen weichen Schwamm oder ein Tuch. Verwenden Sie keinen Topfkratzer oder andere Materialien, die Kratzer auf der Oberfläche hinterlassen können.



Warnung:

Verwenden Sie zur Reinigung des Kühlschranks keinen Dampfreiniger.

Abtauen

Frost sollte regelmäßig entfernt werden, da er die Gefrierleistung und den Betrieb des Geräts beeinträchtigen und die Energiekosten erhöhen könnte.

Befolgen Sie beim Abtauen die folgenden Schritte:

1. Schalten Sie den Kühlschrank aus. Versetzen Sie den Thermostat in die Position 0 a und ziehen Sie den Netzstecker aus der Steckdose.
2. Nehmen Sie die Schubladen heraus, verpacken Sie die Lebensmittel in eine Schicht Zeitungspapier und lagern Sie sie an einem kühlen Ort.
3. Lassen Sie die Tür geöffnet und geben Sie einen Behälter hinein, um Wasser und Frost aufzufangen.
4. Sie können den Abtauprozess beschleunigen, indem Sie einen Behälter mit heißem Wasser in den Innenbereich stellen.
5. Sie können den Frost auch mit einer Kunststoffspatel entfernen.
6. Wenn der Gefrierteil abgetaut ist, wischen Sie es mit einem sauberen Tuch trocken.
7. Stecken Sie den Netzstecker in die Steckdose und stellen Sie mit dem Thermostat die gewünschte Temperatur ein. Wir empfehlen, innerhalb der ersten 12 Betriebsstunden den Wert auf 7 einzustellen.
8. Geben Sie die Lebensmittel in die Schubladen und geben Sie sie wieder in den Gefrierteil zurück.



Warnung:

Verwenden Sie niemals Metallwerkzeuge, Haartrockner, Ventilatoren oder andere elektronische Geräte, um den Frost zu entfernen.

Auswechseln der Beleuchtung



Warnung:

Wenn die Beleuchtung beschädigt ist, darf der Benutzer sie nicht selbst austauschen. Wenden Sie sich in diesem Fall an eine autorisierte Service-stelle.

Das Auswechseln der LED-Leuchte durch eine unerfahrene Person kann zu Verletzungen oder schweren Fehlfunktionen führen. Um eine gefährliche Situation zu vermeiden, empfehlen wir, den Austausch durch eine qualifizierte Person durchführen zu

lassen. Wenden Sie sich an eine autorisierte Kundendienststelle.

1. Schalten Sie das Gerät vor dem Auswechseln der LED-Leuchte aus, indem Sie den Thermostat auf „0“ stellen und den Stecker aus der Steckdose ziehen.
2. Angaben über die LED-Leuchte: 220-240 V~, max. 1,5 W.
3. Drücken Sie auf die Blende und schieben Sie sie nach hinten.
4. Lösen Sie die Schraube und entfernen Sie die Halterung der Leuchte. Nehmen Sie die LED-Leuchte aus der Fassung und setzen Sie eine neue ein.
5. Setzen Sie die Halterung wieder ein, befestigen Sie sie mit der Schraube und bringen Sie die Blende an.
6. Nehmen Sie den Kühlschrank wieder in Betrieb.

Ausschalten des Kühlschranks über einen längeren Zeitraum

Wenn Sie den Kühlschrank nicht benutzen, ziehen Sie den Stecker aus der Steckdose. Reinigen Sie den Innenbereich, einschließlich des Gefrierteils, wie oben beschrieben. Lassen Sie die Tür offen, um unerwünschte Geruchsbildung zu vermeiden.

PROBLEMLÖSUNG

Problem	Ursache	Lösung
Der Kühlschrank kühlt nicht.	Der Thermostat ist auf „0“ eingestellt.	Drehen Sie mit dem Thermostat und stellen Sie die Temperatur ein.
	Der Stecker ist nicht oder falsch in die Steckdose eingesteckt.	Stecken Sie den Stecker richtig in die Steckdose.
	Der Leitungsschutzschalter ist rausgeflogen oder die Sicherung ist durchgebrannt.	Überprüfen Sie den Leitungsschutzschalter oder die Sicherung.
	Der Netzstecker ist beschädigt.	Wenden Sie sich an einen qualifizierten Elektromonteur.
Der Kühlschrank ist zu kalt/gefroren.	Die Temperatur ist zu niedrig eingestellt oder die Funktion Fast Freeze ist eingeschaltet.	Stellen Sie die Temperatur ein oder schalten Sie die Funktion Fast Freeze aus.

Problem	Ursache	Lösung
Der Kühlschrank kühlt/gefriert nicht ausreichend.	Sie haben die Temperatur zu hoch eingestellt.	Senken Sie die Temperatur.
	Die Tür war zu lange geöffnet.	Verkürzen Sie die Zeit, während der die Kühlschranktür geöffnet ist.
	Es befinden sich zu viele Lebensmittel im Kühlschrank oder Sie haben heiße Lebensmittel hineingelegt.	Überprüfen Sie, ob alle Lebensmittel für die Aufbewahrung im Kühlschrank geeignet sind. Lassen Sie warme Lebensmittel abkühlen, bevor Sie sie in den Kühlschrank geben.
	Der Kühlschrank ist direktem Sonnenlicht oder einer anderen Wärmequelle ausgesetzt.	Stellen Sie den Kühlschrank um.
Der Kühlschrank macht ein ungewöhnliches Geräusch.	Der Kühlschrank steht nicht waagrecht.	Gleichen Sie den Kühlschrank mit den Füßen aus.
	Der Kühlschrank berührt die Wand oder einen anderen Gegenstand.	Ziehen Sie den Kühlschrank von der Wand/ vom Gegenstand weg.
	Ein Teil des Kühlschranks (z. B. ein Rohr) auf der Rückseite des Kühlschranks berührt einen anderen Teil des Kühlschranks oder eine Wand.	Stellen Sie das Teil so ein, dass es kein anderes Teil oder eine Wand berührt.
	Die folgenden Geräusche sind beim Betrieb des Geräts normal: Geräusch des Kompressors Geräusch von sprudelndem Wasser Knisterndes Geräusch beim automatischen Abtauen des Kühlschranks Klickendes Geräusch, wenn der Kompressor startet.	
Auf dem Boden befindet sich Wasser.	Die Abflussöffnung ist verstopft.	Reinigen Sie die Abflussöffnung.
Im Inneren des Kühlschranks riecht es unangenehm.	Der Innenraum ist schmutzig.	Der Kühlschrank muss gereinigt werden.
	Lebensmittel mit einem aufdringlichen Aroma sind nicht richtig verpackt.	Verpacken Sie solche Lebensmittel richtig oder geben Sie sie in einen luftdichten Behälter.

Problem	Ursache	Lösung
Der Motor ist noch in Betrieb.	Dies ist eine häufige Erscheinung, insbesondere in den folgenden Fällen: Die Temperatur ist niedriger als nötig eingestellt. Sie haben eine große Menge an heißen Lebensmitteln hineingelegt. Die Umgebungstemperatur ist zu hoch. Die Tür war lange Zeit offen oder wurde zu oft geöffnet. Sie haben das Gerät gerade erst installiert oder nach längerer Zeit wieder eingeschaltet.	
Die Tür lässt sich nicht schließen.	Der Kühlschrank ist nicht ausgeglichen.	Gleichen Sie den Kühlschrank aus.
	Lebensmittel oder ein Behälter im Inneren verhindern das Schließen der Tür.	Ordnen Sie die Lebensmittel im Innenfach neu an.
	Vergewissern Sie sich, dass die Oberseite des Kühlschranks um 10 bis 15 mm nach hinten geneigt ist, damit sich die Tür von selbst schließen kann.	
Die LED-Leuchte leuchtet nicht.	Die LED-Leuchte ist kaputt.	Ersetzen Sie die LED-Leuchte.

Wenn das Problem nicht in der obigen Tabelle angeführt ist oder das Problem nicht behoben werden konnte, schalten Sie das Gerät aus, ziehen Sie den Stecker des Netzkabels aus der Steckdose und wenden Sie sich an eine autorisierte Kundendienststelle.

ÄNDERUNG DER ÖFFNUNGSRICHTUNG DER TÜR

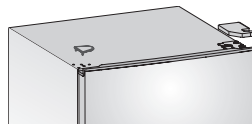
Wir empfehlen, dass zwei Personen die Öffnungsrichtung der Tür ändern. Bereiten Sie das benötigte Werkzeug vor: einen Schlitzschraubendreher, einen Kreuzschlitzschraubendreher und einen Montageschlüssel.

Kippen Sie den Kühlschrank leicht nach hinten, um die Tür zu entfernen. Wir empfehlen, den Kühlschrank so aufzustellen, dass Sie ihn sicher an die Wand lehnen können, um zu vermeiden, dass er beim Entfernen der Tür nicht herunterfällt.

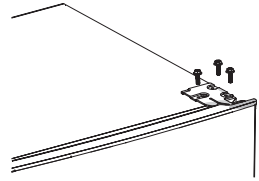
Alle entfernten Teile sollten sicher aufbewahrt werden, da Sie sie später wieder installieren werden.

Stellen Sie den Kühlschrank nicht in eine vertikale Position. Der Kühlkreislauf könnte beschädigt werden.

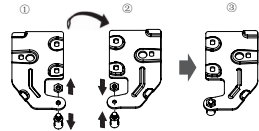
1. Vergewissern Sie sich, dass der Stecker aus der Steckdose gezogen ist. Öffnen Sie die Tür und nehmen Sie die Türfächer heraus. Schließen Sie die Tür.
2. Entfernen Sie die obere Scharnierabdeckung und die Abdeckung der Schraublöcher mit einem flachen Schraubenzieher oder einer Spachtel.



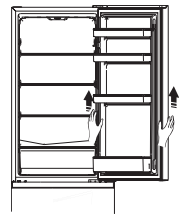
3. Lösen Sie die Schrauben des oberen Scharniers und entfernen Sie es. Halten Sie ggf. die Kühlschranktür von unten fest.



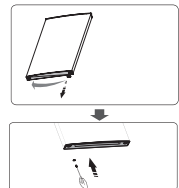
4. Entfernen Sie die Achse des oberen Scharniers, bringen Sie sie auf die andere Seite und ziehen Sie sie fest an. Legen Sie es beiseite.



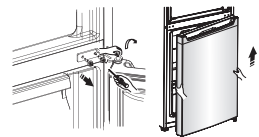
5. Lösen Sie die Kühlschranktür aus dem mittleren Scharnier, indem Sie sie vorsichtig nach oben heben. Achten Sie darauf, dass die Unterlegscheibe nicht verloren geht, denn sie könnte an der Unterseite der Kühlschranktür haften bleiben. Legen Sie sie beiseite.



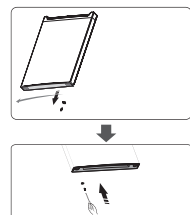
6. Legen Sie die Kühlschranktür auf eine weiche Unterlage, um Kratzer zu vermeiden. Lösen Sie die Schraube und entfernen Sie die Abdeckkappe. Bringen Sie sie auf der linken Seite an und ziehen Sie die Schraube fest.



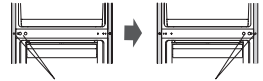
7. Lösen Sie die Schrauben des mittleren Scharniers, entfernen Sie es vorsichtig und heben Sie dann die Gefrierschranktür an. Achten Sie darauf, dass die Unterlegscheibe nicht verloren geht, denn sie könnte an der Unterseite der Gefrierschranktür haften bleiben. Legen Sie sie beiseite.



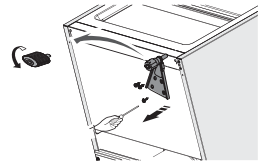
8. Legen Sie die Gefrierschranktür auf eine weiche Unterlage, um Kratzer zu vermeiden. Lösen Sie die Schraube und entfernen Sie die Abdeckkappe. Bringen Sie sie auf der linken Seite an und ziehen Sie die Schraube fest.



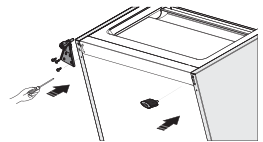
9. Montieren Sie die Lochabdeckungen des mittleren Scharniers von der linken Seite auf die rechte Seite.



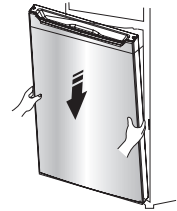
10. Neigen Sie den Kühlschrank vorsichtig nach hinten und schrauben Sie beide verstellbaren FüÙe ab. Lösen Sie die Schrauben der vorderen Fußplatten und des unteren Scharniers und entfernen Sie sie.



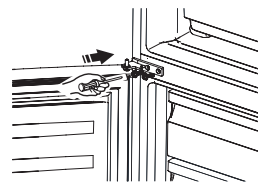
11. Montieren Sie das untere Scharnier auf der linken Seite und die Platte der vorderen FüÙe FüÙe auf der anderen Seite. Sichern Sie die Schrauben.



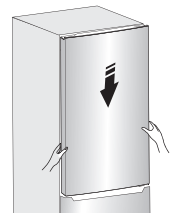
12. Stellen Sie den Kühlschrank auf und setzen Sie die Gefrierschranktür auf das untere Scharnier. Setzen Sie die Achse des unteren Scharniers in das untere Loch der Gefrierschranktür ein und ziehen Sie die Schrauben fest.



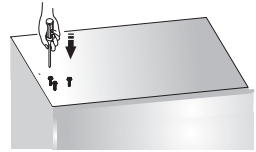
13. Drehen Sie das mittlere Scharnier um 180° und versetzen Sie es auf die andere Seite. Vergewissern Sie sich, dass die Achse des mittleren Scharniers in das Loch an der Oberseite der Gefrierschranktür eingesetzt ist. Ziehen Sie die Schrauben fest.



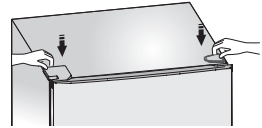
14. Montieren Sie die Kühlschranktür. Vergewissern Sie sich, dass sie gerade ist und dass die Achse des mittleren Scharniers in die untere Öffnung der Kühlschranktür passt.



15. Bewegen Sie das obere Scharnier auf die andere Seite, so dass die Achse des oberen Scharniers in das Loch oben an der Kühlschranktür passt. Richten Sie die Kühlschranktür aus und stützen Sie den Kühlschrank bei Bedarf von unten. Befestigen Sie das obere Scharnier mit Schrauben.



16. Bringen Sie die Abdeckung des oberen Scharniers und die Abdeckung der Schraublöcher an.



17. Öffnen Sie die Tür und setzen Sie die Türfächer wieder ein.



Bemerkung:

Vergewissern Sie sich bei der Installation beider Türen, dass die Dichtung gut am Kühlschrank anliegt. Wenn die Tür nicht ausgerichtet ist, kann die Gummidichtung nicht abdichten, was zu Fehlfunktionen des Kühlschranks führen kann.

Produktdatenblatt

DELEGIERTE VERORDNUNG (EU) 2019/2016 DER KOMMISSION zur Energieverbrauchskennzeichnung von Kühlgeräten

Name oder Handelsmarke des Lieferanten: Siguro

Anschritt des Lieferanten: PL - SIGURO, Jankovcova 1522/53 17000 Praha Holešovice Česká republika

Modellkennung: SGR-BF-N140Y

Art des Kühlgeräts:

Geräuscharmes Gerät:	Nein	Bauart:	freistehend
Weinlagerschrank:	Nein	Anderes Kühlgerät:	Nein

Allgemeine Produktparameter:

Parameter	Wert	Parameter	Wert	
Gesamtabmessungen (in Millimeter)	Höhe	1 800	Gesamtrauminhalt (in dm ³ oder l)	
	Breite	550		269
	Tiefe	558		
EEL	80	Energieeffizienzklasse	D	
Luftschallemissionen (in dB(A) re 1 pW)	39	Luftschallemissionsklasse	C	
Jährlicher Energieverbrauch (in kWh/a)	168	Klimaklasse:	gemäßigte Zone, subtropische Zone	
Mindestumgebungstemperatur (in °C), für die das Kühlgerät geeignet ist	16	Höchstumgebungstemperatur (in °C), für die das Kühlgerät geeignet ist	38	
Winterschaltung	Nein			

Fachparameter:

	Fachparameter und #werte			
Fachtyp	Rauminhalt des Fachs (in dm ³ oder l)	Empfohlene Temperatureinstellung für eine optimierte Lebensmittellagerung (in °C) Diese Einstellungen dürfen nicht im Widerspruch zu den Lagerbedingungen nach Anhang IV	Gefriervermögen (in kg/24h)	Defrosting type (auto-defrost=A, manual defrost=M)

		Tabelle 3 stehen			
Speisekammerfach	Nein	-	-	-	-
Weinlagerfach	Nein	-	-	-	-
Kellerfach	Nein	-	-	-	-
Lagerfach für frische Lebensmittel	Ja	198,0	-	-	M
Kaltlagerfach	Nein	-	-	-	-
Null-Sterne- oder Eisbereiterfach	Nein	-	-	-	-
Ein-Sterne-Fach	Nein	-	-	-	-
Zwei-Sterne-Fach	Nein	-	-	-	-
Drei-Sterne-Fach	Nein	-	-	-	-
Vier-Sterne-Fach	Ja	71,0	-	-	M
Zwei-Sterne-Abteil	Nein	-	-	-	-
Fach mit variabler Temperatur	-	-	-	-	-
Für Vier-Sterne-Fächer					
Schnelleinfrierfunktion			Nein		
Lichtquellenparameter:					
Art der Lichtquelle			LED		
Energieeffizienzklasse			-		
Mindestlaufzeit der vom Hersteller angebotenen Garantie: 36 Monate					
Weitere Angaben:					
Weblink zur Website des Herstellers, auf der die Informationen gemäß Nummer 4 Buchstabe a des Anhangs der Verordnung (EU) 2019/2019 der Kommission zu finden sind: www.siguro.cz					

Produktdatenblatt

DELEGIERTE VERORDNUNG (EU) 2019/2016 DER KOMMISSION zur Energieverbrauchskennzeichnung von Kühlgeräten

Name oder Handelsmarke des Lieferanten: Siguro

Anschritt des Lieferanten: PL - SIGURO, Jankovcova 1522/53 17000 Praha Holešovice Česká republika

Modellkennung: SGR-BF-N140S

Art des Kühlgeräts:

Geräuscharmes Gerät:	Nein	Bauart:	freistehend
Weinlagerschrank:	Nein	Anderes Kühlgerät:	Nein

Allgemeine Produktparameter:

Parameter	Wert	Parameter	Wert	
Gesamtabmessungen (in Millimeter)	Höhe	1 800	Gesamtrauminhalt (in dm ³ oder l)	
	Breite	550		269
	Tiefe	558		
EEL	80	Energieeffizienzklasse	D	
Luftschallemissionen (in dB(A) re 1 pW)	39	Luftschallemissionsklasse	C	
Jährlicher Energieverbrauch (in kWh/a)	168	Klimaklasse:	gemäßigte Zone, sub- tropische Zone	
Mindestumgebungstemperatur (in °C), für die das Kühlgerät ge- eignet ist	16	Höchstumgebungstempe- ratur (in °C), für die das Kühlgerät geeignet ist	38	
Winterschaltung	Nein			

Fachparameter:

	Fachparameter und #werte			
Fachtyp	Rauminhalt des Fachs (in dm ³ oder l)	Empfohle- ne Tempe- raturein- stellung für eine optimier- te Lebens- mittellage- rung (in °C) Diese Ein- stellungen dürfen nicht im Wider- spruch zu den Lager- bedingun- gen nach Anhang IV	Gefrierver- mögen (in kg/24h)	Defrosting type (au- to-defrost=A, ma- nual defrost=M)

		Tabelle 3 stehen			
Speisekammerfach	Nein	-	-	-	-
Weinlagerfach	Nein	-	-	-	-
Kellerfach	Nein	-	-	-	-
Lagerfach für frische Lebensmittel	Ja	198,0	-	-	M
Kaltlagerfach	Nein	-	-	-	-
Null-Sterne- oder Eisbereiterfach	Nein	-	-	-	-
Ein-Sterne-Fach	Nein	-	-	-	-
Zwei-Sterne-Fach	Nein	-	-	-	-
Drei-Sterne-Fach	Nein	-	-	-	-
Vier-Sterne-Fach	Ja	71,0	-	-	M
Zwei-Sterne-Abteil	Nein	-	-	-	-
Fach mit variabler Temperatur	-	-	-	-	-
Für Vier-Sterne-Fächer					
Schnelleinfrierfunktion			Nein		
Lichtquellenparameter:					
Art der Lichtquelle			LED		
Energieeffizienzklasse			-		
Mindestlaufzeit der vom Hersteller angebotenen Garantie: 36 Monate					
Weitere Angaben:					
Weblink zur Website des Herstellers, auf der die Informationen gemäß Nummer 4 Buchstabe a des Anhangs der Verordnung (EU) 2019/2019 der Kommission zu finden sind: www.siguro.cz					

Děkujeme, že jste si koupili spotřebič značky SIGURO. Jsme vděční za vaši důvěru a je nám radostí vám přístroj na dalších stránkách představit a seznámit vás se všemi jeho funkcemi a způsoby použití.

Věříme ve spravedlivou a odpovědnou společnost, a proto spolupracujeme pouze s dodavateli, kteří splňují naše přísná kritéria na ochranu zájmu zaměstnanců, prevenci jejich zneužívání a férové pracovní podmínky.

Pokud potřebujete pomoci s rozsáhlou údržbou nebo opravou výrobku, která vyžaduje zásah do jeho vnitřních částí, je vám k dispozici náš autorizovaný servis na e-mailové adrese siguro@alza.cz nebo operátoři na infolince prodejce. Pro vaše pohodlí při řešení jakýchkoliv problémů s výrobkem jsme tato kontaktní místa sjednotili a výše uvedené kontakty lze využít i v případě veškerých reklamací nebo pozáručního servisu.

BEZPEČNOSTNÍ INFORMACE



Před použitím si prosím pozorně přečtěte tento manuál a uschovejte ho pro budoucí použití.

1. Tento spotřebič mohou používat děti ve věku 8 let a starší a osoby se sníženými fyzickými, smyslovými nebo mentálními schopnostmi nebo nedostatkem zkušeností a znalostí, pokud jsou pod dozorem nebo byly poučeny o používání spotřebiče bezpečným způsobem a rozumí případným nebezpečím.
2. Děti si se spotřebičem nesmějí hrát.
3. Čištění a údržbu prováděnou uživatelem nesmějí provádět děti bez dozoru.
4. Jestliže je napájecí přívod poškozen, musí být nahrazen výrobcem, jeho servisním technikem nebo podobně kvalifikovanou osobou, aby se zabránilo vzniku nebezpečné situace.



UPOZORNĚNÍ: NEBEZPEČÍ OHNĚ!

5. Děti ve věku 3 až 8 let mohou vkládat a vyjímat potraviny ze spotřebiče.
6. **VÝSTRAHA:** Větrací otvory v krytu spotřebiče nebo v jeho konstrukci je nutné udržovat volné.
7. **VÝSTRAHA:** K urychlení odmrazovacího procesu nepoužívejte žádná mechanická zařízení nebo jiné prostředky než ty, které výrobce doporučuje.
8. **VÝSTRAHA:** Nepoškozujte chladicí obvod.

9. **VÝSTRAHA:** Nepoužívejte elektrické spotřebiče v prostoru pro uchování potravin, pokud se nejedná o typy doporučené výrobcem.
10. V tomto spotřebiči neukládejte výbušné látky, jako jsou spreje s hořlavým hnacím plynem.
11. Tento spotřebič je určen pro použití v domácnosti a podobných prostorech, jako jsou:
 - kuchyňské kouty v obchodech, kancelářích a na ostatních pracovištích;
 - spotřebiče používané hosty v hotelích, motelech a jiných obytných prostředích;
 - spotřebiče používané v podnicích zajišťujících nocleh se snídaní;
 - spotřebiče používané ve stravovacích a podobných neprodejních prostředích.
12. Tento spotřebič je určen jako volně stojící. Není určen jako zabudovaný ani připevněný.
13. Používejte tento spotřebič pouze podle pokynů uvedených v tomto návodu. Tím zajistíte bezpečné uchování potravin.
14. Aby se zabránilo kontaminaci potravin, dodržujte následující doporučení:
 - Otevření dvířek na dlouhou dobu může způsobit výrazné zvýšení teploty v prostorách spotřebiče.
 - Pravidelně čistěte povrchy, které mohou přijít do styku s potravinami, a přístupné drenážní systémy.
 - Vyčistěte vodní nádobky, pokud nebyly používány po dobu 48 hodin. Propláchněte vodní systém připojený k přívodu vody, pokud voda neprotékala po dobu 5 dnů.
 - Syrové maso a ryby ukládejte do chladničky ve vhodných obalech tak, aby nebyly v kontaktu s jinými potravinami nebo na ně nekapaly tekutiny z nich.
 - Dvouhvězdičkové mrazicí prostory jsou vhodné pro ukládání předem zmrazených potravin, uložení nebo k výrobě zmrzliny a výrobě kostek ledu.
 - Jedno, dvou a tříhvězdičkové prostory nejsou vhodné pro mražení čerstvých potravin.
 - Pokud necháváte chladicí spotřebič prázdný po dlouhou dobu, vypněte jej, odmrazte, vyčistěte, vysušte a nechte dvířka otevřená, aby se zabránilo tvorbě plísní uvnitř spotřebiče.
15. **VÝSTRAHA:** Při umístování spotřebiče se musí zajistit, aby napájecí přívod nebyl zachycen nebo poškozen.
16. **VÝSTRAHA:** Neumísťujte vícenásobné přenosné zásuvky nebo přenosné prodlužovací přívody na zadní stranu spotřebiče.
17. **VAROVÁNÍ:** Je nebezpečné pro kohokoli jiného, než je kvalifikovaný servisní technik, provádět servis nebo opravy, které zahrnují odstranění krytu. Abyste zabránili riziku úrazu elektrickým proudem, neopravujte spotřebič sami.
18. Nádoby s hořlavými plyny nebo tekutinami mohou při nízkých teplotách unikat.
19. Do prostoru mrazáku nikdy nevkládejte syčené ani perlivé nápoje, lahve ani plechovky.
20. Nanuky i zmrzlina mohou způsobit omrzliny, pokud je budete

konzumovat ihned po vyjmutí z mrazáku. Před konzumací vždy vyčkejte alespoň 5 minut.

21. Nedotýkejte se potravin v mrazáku mokřýma nebo vlhkýma rukama. Mohlo by dojít ke zranění pokožky nebo vzniku omrzlin.
22. Zajistěte, aby děti nemanipulovaly s ovládacími prvky.
23. Spotřebič je těžký. Buďte zvláště opatrní při manipulaci se spotřebičem. Doporučujeme, aby manipulaci prováděly dvě osoby.
24. Je nebezpečné jakýmkoli způsobem provádět úpravy nebo modifikace spotřebiče.
25. LED zářivku, která osvětluje vnitřní prostor chladničky, smí vyměnit pouze technik autorizovaného servisu. Nikdy nevyměňujte zářivku sami.
26. **VÝSTRAHA:** Chladicí spotřebiče – zejména lednička s mrazákem typu I – nemusí fungovat správně (může hrozit rozmrazení obsahu nebo příliš vysoké teploty v oddílu pro mražené potraviny), pokud jsou umístěny po delší dobu pod spodní hranici teplotního rozsahu, pro který je chladicí spotřebič určen.
27. **VÝSTRAHA:** U dvířek a vík, která jsou vybavena zámkem, je důležité, aby byly klíče od zámku uchovávány mimo dosah dětí v dostatečné vzdálenosti od spotřebiče, aby se děti nemohly ve spotřebiči zamknout.
28. **VÝSTRAHA:** Chladivo ve spotřebiči a izolační materiál vyžaduje zvláštní zacházení při likvidaci spotřebiče.

Elektrické zapojení

1. Tento spotřebič musí být zapojen do řádně uzemněné zásuvky o napětí 220–240 V ~ 50 Hz. Před zapojením spotřebiče do síťové zásuvky se ujistěte, že napětí v zásuvce odpovídá napětí na typovém štítku.
2. Spotřebič je určen pro použití s měničem napětí.
3. Napájecí přívod musí být veden za spotřebičem. Neměl by být odkrytý ani viset, aby se zabránilo náhodnému zranění.
4. Nikdy neodpojujte spotřebič od síťové zásuvky tahem za napájecí přívod. Vždy jej odpojujte tahem za vidlici.
5. Nepoužívejte prodlužovací kabel, mohlo by to negativně ovlivnit výkon spotřebiče. Pokud je napájecí přívod krátký, obraťte se na kvalifikovaného elektrikáře nebo servisního technika, aby instaloval síťovou zásuvku do blízkosti spotřebiče.

Klimatická třída

Informace o klimatické třídě je uvedena na typovém štítku spotřebiče. Udává informace o teplotách (teploty místnosti, ve které je spotřebič umístěn), při kterých je provoz spotřebiče optimální.

Klimatická třída	Rozsah okolní teploty
SN	Od + 10 °C do 32 °C
N	Od + 16 °C do 32 °C
ST	Od + 16 °C do 38 °C
T	Od + 16 °C do 43 °C

**Poznámka:**

Je třeba přizpůsobit nastavení provozní teploty spotřebiče v závislosti na klimatické třídě, okolní teplotě, četnosti otevírání dveří apod. Pokud budete provozovat spotřebič v klimatické třídě, pro kterou není spotřebič určen, nemusí spotřebič fungovat správně.

Zámek

Pokud je spotřebič vybaven zámkem, uchovávejte klíč na bezpečném místě (ne v blízkosti spotřebiče) mimo dosah dětí, aby nedošlo k jejich náhodnému uvěznění uvnitř spotřebiče.

Před ekologickou likvidací spotřebiče zámek rozbijte nebo znehodnoťte, aby nebylo možné jej více používat.

Chladivo R600a

Chladivo R600a a izolací materiál cyklopentan, které se používají v chladicích zařízeních, jsou látky šetrné k životnímu prostředí, neškodí ozónové vrstvě a mají velmi malý dopad na globální oteplování. Nicméně chladivo R600a, které je obsaženo v chladicím obvodu, je hořlavé. Během přepravy, instalace nebo jiné manipulace se spotřebičem dbejte zvýšené opatrnosti, abyste nepoškodili chladicí obvod a nedošlo k úniku chladiva nebo chladicích plynů. Pokud by došlo k poškození chladicího obvodu a úniku chladiva nebo chladicích plynů, neprodleně uhasťte jakýkoli zdroj otevřeného ohně a otevřete okna.

Spotřebiče, které obsahují chladivo a chladicí plyny, musí být ekologicky a odborně zlikvidovány. Nesprávná likvidace může způsobit poranění, vznícení nebo vznik jiné nebezpečné situace. S chladivem a chladicími plyny může manipulovat pouze kvalifikovaná osoba s platnou certifikací. Před likvidací se ujistěte, že chladicí obvod není poškozený.

Přehled

- 1 Termostat
- 2 Police lednice
- 3 Kryt zásuvky na zeleninu
- 4 Zásuvka na ovoce/zeleninu
- 5 Zásuvky mrazáku
- 6 Nastavitelné nohy
- 7 Dvířka lednice
- 8 Dveřní přihrádky
- 9 Dvířka mrazáku
- 10 Tvořítko na led
- 11 Tácek na vejce



PŘEPRAVA

Spotřebič musí být převážen výhradně ve vzpřímené poloze. Obalový materiál slouží k ochraně spotřebiče během přepravy a musí být během přepravy neporušený. Pokud je to nevyhnutelné a spotřebič je nutné přepravovat v horizontální poloze, musí být položen tak, aby se dvířka neotevírala, a nedošlo tak k jejich poškození. Poté musí být spotřebič umístěn do vertikální polohy. Připojení vidlice napájecího přívodu a zapnutí spotřebiče se nesmí provést alespoň 4 hodiny po uvedení do vertikální polohy, aby se ustálilo chladivo v chladicím systému. V opačném případě může dojít k nevratnému poškození spotřebiče a vzniku nebezpečné situace. Spotřebič je těžký a doporučujeme, aby manipulaci prováděly alespoň dvě osoby. Vyvarujte se přenášení spotřebiče za horní rám, dvířka apod.

PŘÍPRAVA PŘED POUŽITÍM

Vybalení spotřebiče

Opatrně chladničku vybalte a odstraňte z ní veškeré pásky, štítky a fólie.

Výběr místa instalace

Chladnička musí být instalována na pevném a rovném povrchu v dostatečné vzdálenosti od síťové zásuvky. Neinstalujte chladničku na koberec, rohožky nebo jiný podobný materiál, to může způsobit nežádoucí vibrace a nadměrný hluk.

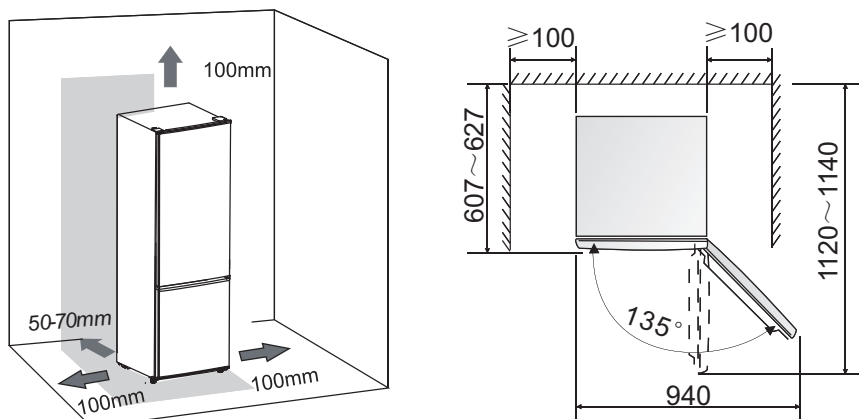
Spotřebič je určen pro použití v domácnosti a uvnitř budovy. Neinstalujte jej venku nebo na místě, kde by byl vystaven dešti, sněhu, vlhkosti nebo jiným špatným povětrnostním podmínkám.

V případě potřeby chladničku vyrovnejte. K vyrovnání slouží nastavitelné nohy. Jejich vyšroubováním nebo zašroubováním chladničku vyrovnáte. Je to důležité pro to, aby chladnička nezpůsobovala nežádoucí vibrace a nadměrný hluk.

Množství náplně chladiva naleznete na typovém štítku spotřebiče.

Okolo spotřebiče je třeba zajistit dostatečný volný prostor pro správnou cirkulaci vzduchu, a to alespoň 50 mm po všech stranách a nahore – viz obrázek níže.

Zajistěte dostatečně volný prostor před spotřebičem, abyste mohli snadno otevřít dvířka.



Neinstalujte chladničku do blízkosti sporáku, topení nebo jiných zdrojů tepla. Zabraňte tomu, aby byla chladnička vystavena přímému slunečnímu svitu. Chladničku neinstalujte do vlhkých nebo prašných místností. Nikdy nezakrývejte ventilační otvory.

Chladnička může způsobit rušení rádiových zařízení nebo televize. Ujistěte se, že je chladnička umístěna v dostatečné vzdálenosti od těchto zařízení.

Čištění před použitím

Před prvním použitím nebo pokud jste chladničku nepoužívali delší dobu, vyčistěte vnitřní prostor a veškeré police a přihrádky čistou vodou, příp. do vody přidejte trochu bílého octa. Nikdy nepoužívejte žádné čisticí prostředky, rozpouštědla, benzín apod., neboť byste mohli narušit povrchovou úpravu a chladničku nenávratně poškodit.

Doba stání

Po instalaci a vyčištění vyčkejte alespoň 1 hodinu před zapojením vidlice do síťové zásuvky, abyste zajistili její správný provoz. Během této doby se chladivo rovnoměrně v obvodu rozloží.

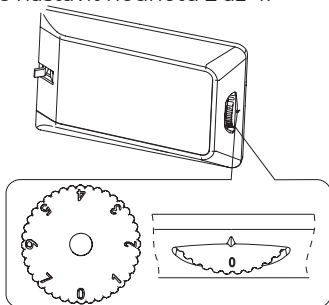
Připojení ke zdroji napájení

Vložte vidlici napájecího přívodu do řádně uzemněné síťové zásuvky. Spotřebič musí být uzemněný. Napětí uvedené na typovém štítku spotřebiče se musí shodovat s napětím ve vaší síťové zásuvce. V případě pochybností se obraťte na svého dodavatele elektrické energie nebo na kvalifikovaného elektrikáře.

POUŽITÍ

Nastavení teploty v chladničce

Vnitřní teplota se ovládá pomocí termostatu. Jeho otáčením nastavte odpovídající teplotu, kde hodnota „1“ představuje nejvyšší teplotu a hodnota „7“ nejnižší teplotu. Pro běžný provoz doporučujeme nastavit hodnotu 2 až 4.



Pokud otočíte termostat na hodnotu „0“, lednice bude vypnuta. Pokud nastavíte hodnotu „7“, kompresor bude stále v provozu. Tato hodnota je vhodná, pokud zapínáte lednici poprvé, po delší době nebo potřebujete do lednice vložit nebo zamrazit větší množství čerstvých potravin. Nedoporučujeme nastavovat hodnotu „7“ pro dlouhodobý provoz lednice. Může docházet k nadměrné tvorbě ledové námrazy a potraviny v chladničce se mohou částečně zmrazit.



Poznámka:

Lednice nemusí fungovat správně, pokud je umístěna v teplé místnosti nebo často otevíráte dvířka.

Umístění polic

Vnitřní stěny lednice jsou vybaveny vodicími drážkami, aby bylo možno upravit umístění jednotlivých polic podle potravin uvnitř lednice. Uvolněte zadní část police a vytáhněte ji ven. Vložte polici do požadovaných vodicích drážek (stejná výška na obou stranách) a zasuňte ji do vnitřního prostoru.

Umístění dveřních přihrádek

Dveřní přihrádka je možné umístit do různých výšek, aby bylo možno pohodlně umístit potraviny různých velikostí. Opatrně vytáhněte dveřní přihrádku nahoru, až se uvolní. Přemístěte ji na požadované místo a pohybem dolů ji zajistěte.

Skladování potravin

Studený vzduch cirkuluje v celém prostoru chladničky, a teplota je tak v různých částech chladničky odlišná, a proto by různé druhy potravin měly být umístěny na různých místech.

Potraviny ukládejte do chladničky v původním obalu nebo ve vzduchotěsných nádobách, aby se zabránilo vzniku nepříjemného zápachu nebo případné kontaminaci.

V prostoru chladničky skladujte čerstvé potraviny, jako jsou vařená jídla, nápoje, vejce, mléčné výrobky apod. V zásuvce skladujte zeleninu a ovoce. V prostoru mrazáku skladujte zmrzlinu, mražená jídla a potraviny apod.

Umístění potravin v chladničce

Příhrádky ve dveřích	Nápoje, džemy, dochucovadla (např. hořčice)
Zásuvka na ovoce/zeleninu	Ovoce, zelenina, bylinky, které jsou určeny ke skladování v chladničce
Prostřední police	Mléčné výrobky, vejce
Horní police	Potraviny, které nevyžadují tepelnou úpravu; uzeniny, hotová jídla apod.
Zásuvky mrazáku	Potraviny vhodné k dlouhodobému skladování. Spodní zásuvka: syrové maso, drůbež nebo ryby Prostřední zásuvka: mražená zelenina, hranolky Horní zásuvky: zmrzlina, mražené ovoce, mražené pečivo

Tvořítko na led: Naplňte tvořítko na led čistou, pitnou vodou a vložte jej do mrazicího prostoru.

Při nákupu potravin:

- Abyste zabránili plýtvání, vytvořte si nákupní seznam a nakupujte pouze přiměřené množství.
- Kontrolujte vždy datum spotřeby uvedené na obale.
- Kontrolujte stav obalu, neměl by být poškozený.
- Zvláště u ovoce a zeleniny kontrolujte vzhled a vůni. Nakupujte pouze ovoce a zeleninu bez vady.
- Mražené potraviny vkládejte do nákupního košíku jako poslední a použijte speciální tašky pro jejich převoz.
- Při nákupu balených potravin vždy zkontrolujte, zda je obal neporušený.
- Dodržujte maximální množství potravin, které je možné zamrazit během 24 hodin. Tento údaj je uvedený na typovém štítku. Během této doby otevírejte dvířka mrazáku co nejméně.
- Před vložením zmrazených nebo čerstvých potravin, které jsou určeny k zamrazení, se vždy ujistěte, že je vnitřní prostor dostatečně vychlazený, a to zvláště pokud budete skladovat již zmrazené potraviny. V opačném případě by mohlo dojít k jejich rozmrazení.
- Před zamrazením nechte horké potraviny zcela vychladnout.
- Čerstvé potraviny zabalte do sáčků pro jejich správné uchování. Označte si je názvem, hmotností a datem. Sáčky by měly být před vložením do mrazáku suché.

Při skladování potravin:

- Pravidelně kontrolujte stav skladovaných potravin a včas je zkonsumujte.
- Potraviny, které pravidelně konzumujete nebo používáte, umístěte dopředu. Zkrátíte tím dobu, po kterou jsou dvířka otevřená.
- Rozmražené nebo částečně rozmražené potraviny již znovu nezamrazujte.
- Rozmražené maso tepelně zpracujte.
- V chladničce neskladujte příliš mnoho potravin. Zajistěte okolo potravin volný prostor, aby mohl studený vzduch volně proudit.
- Teplé potraviny nechte před jejich vložením do chladničky vychladnout.
- Neotevírejte dvířka chladničky příliš často.
- Skladujte v chladničce pouze ty potraviny, které jsou určeny ke skladování

v chladničce. Některé potraviny, zvláště ovoce nebo zelenina, nevyžadují skladování v chladničce.

- Potraviny ukládejte do mrazáku v původním obalu nebo ve vzduchotěsných nádobách, aby se zabránilo vzniku nepříjemného zápachu nebo případné kontaminaci.
- Při ukládání potravin do mrazicího prostoru dodržujte vzdálenost od vnitřní stěny. Potraviny bohaté na vodu neumísťujte příliš blízko k zadní stěně, aby nedošlo k jejich přimrznutí.
- Nevkládejte do mrazáku skleněné dózy naplněné tekutinou ani nápoje v plechovkách. Hrozí jejich poškození, neboť tekutina při mražení nabývá na svém objemu.

ČIŠTĚNÍ A ÚDRŽBA

Udržujte chladničku čistou. Zbytky jídel nebo potravin mohou v chladničce způsobit nepříjemný zápach. Doporučujeme police, zásuvku a přihrádky čistit alespoň jednou za měsíc.



Varování:

Nikdy neponořujte spotřebič, napájecí přívod ani vidlici do vody ani jiné tekutiny.

Běžná údržba

Z prostoru chladničky, s výjimkou mrazáku, vyjměte všechny potraviny a poté police, zásuvku a přihrádky. Omyjte tyto části v teplé vodě s trochou kuchyňského saponátu, opláchněte a otřete dosucha.

Vnitřní prostor chladničky otřete čistou utěrkou mírně navlhčenou v čisté a vlažné vodě. Otřete dosucha.

Otřete těsnění okolo dvířek chladničky měkkou utěrkou mírně navlhčenou v teplé vodě.

Vnější povrch chladničky otřete měkkou utěrkou mírně navlhčenou v teplé vodě s trochou kuchyňského saponátu.

Odstraňte prach ze zadní stěny chladničky. Můžete použít vysavač s nasazenou kartáčovou hubicí a nastaveným nízkým výkonem.

Abyste zabránili přetečení rozmrazené vody do vnitřního prostoru lednice, pravidelně čistěte odtokový otvor, který se nachází v zadní oblasti chladicí části pomocí úzkého a dlouhého předmětu.



Varování:

K čištění nepoužívejte hrubé čisticí prostředky, alkalické prostředky, rozpouštědla, benzín atd. Používejte pouze měkkou houbičku nebo utěrku. Nepoužívejte drátěnky ani jiné materiály, které by mohly způsobit poškrábání povrchu.



Varování:

K čištění lednice nikdy nepoužívejte parní čistič.

Odmrazování

Námrazu je třeba pravidelně odstraňovat, neboť může negativně ovlivnit účinnost mražení, chod spotřebiče i zvýšit jeho energetickou náročnost.

Při odmrazování postupujte následujícím způsobem:

1. Lednici vypněte. Otočte termostat do polohy 0 a odpojte vidlici napájecího přívodu od síťové zásuvky.
2. Vyjměte zásuvky a potraviny zabalte do vrstvy novin a uložte na chladné místo.
3. Nechte dvířka otevřená a do vnitřního prostoru položte nádobu, do které budete zachytávat vodu a námrazu.
4. Proces odmrazování můžete urychlit tak, že do vnitřního prostoru vložíte nádobu s horkou vodou.
5. Námrazu můžete odstraňovat i pomocí plastové škrabky.
6. Jakmile je mrazák odmražený, otřete jej čistou utěrkou dosucha.
7. Zapojte vidlici napájecího přívodu do síťové zásuvky a nastavte termostatem požadovanou teplotu. Doporučujeme nastavit hodnotu 7 na prvních 12 hodin provozu.
8. Vložte potraviny do zásuvek a ty zpět do mrazáku.



Varování:

K odstraňování námrazu nikdy nepoužívejte kovové náčiní, vysoušeče vlasů, ventilátory či jiná elektronická zařízení.

Výměna osvětlení



Varování:

Pokud je osvětlení poškozené, nesmí jej uživatel sám vyměňovat. V takovém případě se obraťte na autorizovaný servis.

Výměna LED zářivky provedená nezkušenou osobou může způsobit zranění nebo vážnou poruchu. Abyste předešli vzniku nebezpečné situace, doporučujeme, aby výměnu prováděla kvalifikovaná osoba. Obraťte se na autorizovaný servis.

1. Před výměnou LED zářivky vypněte spotřebič otočením termostatu do polohy „0“ a odpojte jej ze zásuvky.
2. Údaje o LED zářivce: 220-240 V~, max. 1,5 W.
3. Stiskněte stínítko a posuňte jej dozadu.
4. Uvolněte šroub a vyjměte držák zářivky. Vyjměte LED zářivku z držáku a vložte do něj novou.
5. Vložte držák zpět, zajistěte šroubem a nasadte stínítko.
6. Lednici uveďte zpět do provozu.

Vypnutí chladničky na delší dobu

Pokud nebudete chladničku delší dobu používat, odpojte vidlici od síťové zásuvky.

Vyčistěte vnitřní prostor, včetně mrazáku, podle pokynů výše.

Nechte dvířka otevřená, aby nedošlo k tvorbě nežádoucího zápachu.

ŘEŠENÍ PROBLÉMŮ

Problém	Příčina	Řešení
Chladnička nechladí.	Termostat je nastaven na „0“.	Otočte termostatem a nastavte teplotu.
	Vidlice není zapojena v síťové zásuvce nebo je špatně zapojena.	Zapojte správně vidlici do síťové zásuvky.
	Jistič je spadlý nebo je vyhořelá pojistka.	Zkontrolujte jistič a pojistky.
	Síťová zásuvka je poškozená.	Obratě se na kvalifikovaného elektrikáře.
Chladnička příliš chladí/mrazí.	Je nastavená nízká teplota, příp. je zapnutá funkce rychlého mrazení.	Upravte teplotu, příp. vypněte funkci rychlého mrazení.
Chladnička nedostatečně chladí/mrazí.	Nastavili jste příliš vysokou teplotu.	Snižte nastavenou teplotu.
	Dvířka byla dlouho otevřená.	Zkratek dobu otevření dvířek.
	V chladničce je příliš mnoho potravin nebo jste vložili horké potraviny.	Zkontrolujte, zda jsou všechny potraviny určeny ke skladování v chladničce. Teplé potraviny nechte vychladnout před vložením do chladničky.
	Chladnička je vystavena přímému slunečnímu svitu nebo jinému zdroji tepla.	Přemístěte chladničku.
Chladnička vydává nezvyklý hluk.	Chladnička není vyrovnána.	Vyrovnejte chladničku pomocí nohou.
	Chladnička se dotýká stěny nebo jiného předmětu.	Odtáhněte chladničku od stěny/předmětu.
	Část chladničky (např. potrubí) v zadní části se dotýká jiné části chladničky nebo stěny.	Upravte danou část tak, aby se nedotýkala jiné části nebo stěny.
	Během provozu spotřebiče jsou následující zvuky normální: Zvuk běžícího kompresoru Zvuk bublající vody Praskavý zvuk při automatickém odmrazování chladničky Cvakavý zvuk při spuštění kompresoru.	

Problém	Příčina	Řešení
Na podlaze je voda.	Odtokový otvor je ucpaný.	Vyčistěte odtokový otvor.
V chladničce je nepříjemný zápach.	Interiér je špinavý.	Je třeba chladničku vyčistit.
	Potraviny se silným aromatem nejsou správně zabalené.	Řádně zabalte takové potraviny, příp. je vložte do vzduchotěsné nádoby.
Motor je stále v chodu.	Jedná se o běžný jev, a to zvláště v těchto případech: Je nastavena nižší teplota, než je nutné. Vložili jste větší množství teplých potravin do vnitřního prostoru. Okolní teplota je příliš vysoká. Dvířka byla dlouho otevřená nebo příliš často otevíraná. Spotřebič jste právě instalovali nebo jste jej zapnuli po delší době.	
Dvířka není možné zavřít.	Lednice není vyrovnaná.	Vyrovnejte lednici.
	Potraviny nebo nádoba uvnitř brání v zavření dvířek.	Přeskládejte potraviny ve vnitřním prostoru.
	Zkontrolujte, zda je horní část lednice nakloněna 10 až 15 mm směrem dozadu, aby se dvířka mohla zavírat sama.	
LED žárovka nesvítí.	LED žárovka praskla.	Vyměňte LED žárovku.

Pokud problém není uveden v tabulce výše nebo se problém nepodařilo vyřešit, vypněte spotřebič, odpojte zástrčku přívodního kabelu od síťové zásuvky a obraťte se na autorizované servisní středisko.

OTOČENÍ SMĚRU OTEVÍRÁNÍ DVÍŘEK

Doporučujeme, aby otočení směru otevírání dvířek prováděly dvě osoby. Připravte si nářadí, které budete potřebovat: plochý šroubovák, křížový šroubovák a montážní klíč.

Abyste mohli dvířka vyjmout, bude třeba lednici mírně naklonit směrem dozadu.

Doporučujeme lednici umístit tak, abyste ji mohli bezpečně opřít o stěnu, aby nedošlo k tomu, že by lednice spadla při vyjímání dvířek.

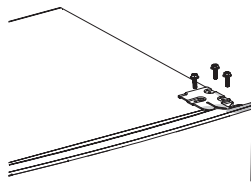
Všechny odstraněné díly je třeba bezpečně uchovat, neboť je budete instalovat zpět na svá místa.

Nepokládejte lednici do vertikální polohy. Mohlo by dojít k poškození chladicího obvodu.

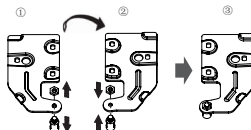
1. Ujistěte se, že je vidlice napájecího přívodu odpojena od síťové zásuvky. Otevřete dvířka a odstraňte dveřní příhrádky. Dvířka zavřete.
2. Odstraňte kryt horního závěsu a kryt otvoru pro šrouby pomocí plochého šroubováku nebo špachtle.



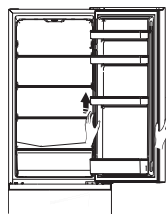
3. Vyšroubujte šrouby horního závěsu a vyjměte jej.
V případě potřeby přidržujte dvířka lednice zespodu.



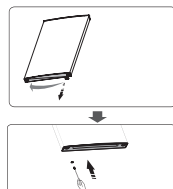
4. Vyjměte osu horního závěsu, přemístěte ji na druhou stranu a pevně dotáhněte. Uložte stranou.



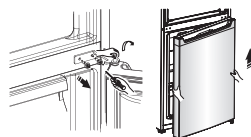
5. Uvolněte dvířka lednice ze středového závěsu opatrným zdvihnutím směrem nahoru. Dbejte na to, abyste neztratili podložku, která by se mohla přichytit ke spodní straně dvířek lednice. Uložte ji stranou.



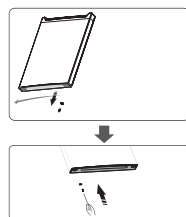
6. Položte dvířka lednice na měkkou podložku, aby se nepoškrábala. Uvolněte šroub a vyjměte záslepku. Instalujte je na levou stranu a šroub dotáhněte.



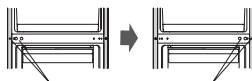
7. Vyšroubujte šrouby středového závěsu, opatrně jej odstraňte a poté zdvihněte dvířka mrazáku. Dbejte na to, abyste neztratili podložku, která by se mohla přichytit ke spodní straně dvířek mrazáku. Uložte ji stranou.



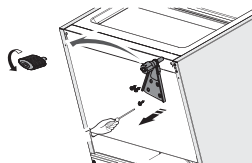
8. Položte dvířka mrazáku na měkkou podložku, aby se nepoškrábala. Uvolněte šroub a vyjměte záslepku. Instalujte je na levou stranu a šroub dotáhněte.



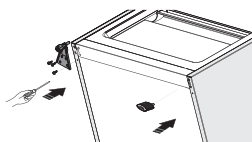
9. Přesuňte kryty otvorů středního závěsu z levé strany na pravou.



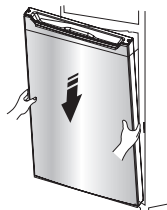
10. Opatrně nakloňte lednici směrem dozadu a vyšroubujte obě nastavitelné nohy. Uvolněte šrouby desky předních nohou a spodního závěsu a vyjměte je.



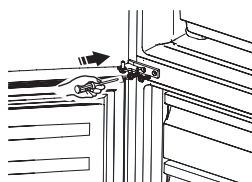
11. Instalujte dolní závěs na levou stranu a desku předních nohou instalujte na druhou stranu. Zajistěte šrouby.



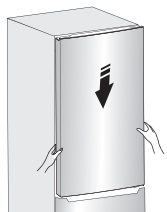
12. Postavte lednici a na dolní závěs nasadte dvířka mrazáku. Nasadte osu spodního závěsu do spodního otvoru dvířek mrazáku a utáhněte šrouby.



13. Středový závěs otočte o 180° a přesuňte jej na druhou stranu. Ujistěte se, že je osa středového závěsu zasunuta v otvoru v horní části dvířek mrazáku. Utáhněte šrouby.



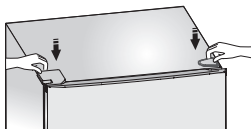
14. Nasadte dvířka lednice. Ujistěte se, že jsou rovná a že osa středového závěsu zapadla do spodního otvoru dvířek lednice.



15. Přemístěte horní závěs na druhou stranu tak, aby osa horního závěsu zapadla do otvoru v horní části dvířek lednice. Podle potřeby vyrovnejte a podepřete dvířka lednice zespodu. Zajistěte horní závěs šrouby.



16. Nasadte kryt horního závěsu a kryt otvoru pro šrouby.



17. Otevřete dvířka a instalujte zpět dvevní přihrádky.



Poznámka:

Při instalaci obou dvířek se ujistěte, že těsnění dobře přiléhá k lednici.

Pokud nebudou dvířka zarovnána a gumové těsnění nebude těsnit, může to způsobit nesprávné fungování lednice.

Informační list výrobku

NAŘÍZENÍ KOMISE V PŘENESENÉ PRÁVOMOCI (EU) 2019/2016 o uvádění spotřeby energie na energetických štítcích chladicích spotřebičů

Název nebo ochranná známka dodavatele: Siguro

Adresa dodavatele: PL - SIGURO, Jankovcova 1522/53 17000 Praha Holešovice Česká republika

Identifikační značka modelu: SGR-BF-N140Y

Typ chladicího spotřebiče:

Nízkoohluchný spotřebič:	Ne	Konstrukční typ:	volně stojící
Spotřebič pro uchovávání vína:	Ne	Jiný chladicí spotřebič:	Ne

Obecné parametry výrobku:

Parametr		Hodnota	Parametr	Hodnota
Celkové rozměry (v mm)	Výška	1 800	Celkový objem (v dm ³ nebo l)	269
	Šířka	550		
	Hloubka	558		
EEl		80	Třída energetické účinnosti	D
Úroveň emisí hluku šířeného vzduchem (v dB(A) re 1 pW)		39	Třída emisí hluku šířeného vzduchem	C
Roční spotřeba energie (v kWh/rok)		168	Klimatická třída:	mírné pásmo, subtropické pásmo
Minimální teplota okolí (ve °C), pro kterou je chladicí spotřebič vhodný		16	Maximální teplota okolí (ve °C), pro kterou je chladicí spotřebič vhodný	38
Zimní nastavení		Ne		

Parametry prostorů:

		Parametry a hodnoty prostorů			
Typ prostoru		Objem prostoru (v dm ³ nebo l)	Doporučené nastavení teploty pro optimalizované uchovávání potravin (ve °C) Tato nastavení nesmějí být v rozporu s podmínkami uchovávání stanovenými v příloze IV tabulce 3	Mrazicí výkon (v kg/24h)	Defrosting type (auto-defrost=A, manual defrost=M)
Spíž	Ne	-	-	-	-

Uchovávání vína	Ne	-	-	-	-
S mírnou teplotou	Ne	-	-	-	-
Čerstvé potraviny	Ano	198,0	-	-	M
Zchlazovací	Ne	-	-	-	-
Bez označení hvězdičkou nebo pro výrobu ledu	Ne	-	-	-	-
Označený jednou hvězdičkou	Ne	-	-	-	-
Označený dvěma hvězdičkami	Ne	-	-	-	-
Označený třemi hvězdičkami	Ne	-	-	-	-
Označený čtyřmi hvězdičkami	Ano	71,0	-	-	M
Oddíl označený dvěma hvězdičkami	Ne	-	-	-	-
Prostor s nastavitelnou teplotou	-	-	-	-	-
Pro prostory označené čtyřmi hvězdičkami					
Funkce rychlého zmrazení	Ne				
Parametry zdroje světla:					
Typ zdroje světla	LED				
Třída energetické účinnosti	-				
Minimální doba trvání záruky nabízená výrobcem: 36 měsíců					
Další informace:					
Odkaz na internetové stránky výrobce, kde lze nalézt informace podle bodu 4 písm. a) přílohy nařízení Komise (EU) 2019/2019: www.siguro.cz					

Informační list výrobku

NAŘÍZENÍ KOMISE V PŘENESENÉ PRÁVOMOCI (EU) 2019/2016 o uvádění spotřeby energie na energetických štítcích chladicích spotřebičů

Název nebo ochranná známka dodavatele: Siguro

Adresa dodavatele: PL - SIGURO, Jankovcova 1522/53 17000 Praha Holešovice Česká republika

Identifikační značka modelu: SGR-BF-N140S

Typ chladicího spotřebiče:

Nízkoohlavný spotřebič:	Ne	Konstrukční typ:	volně stojící
Spotřebič pro uchovávání vína:	Ne	Jiný chladicí spotřebič:	Ne

Obecné parametry výrobku:

Parametr		Hodnota	Parametr	Hodnota
Celkové rozměry (v mm)	Výška	1 800	Celkový objem (v dm ³ nebo l)	269
	Šířka	550		
	Hloubka	558		
EEL		80	Třída energetické účinnosti	D
Úroveň emisí hluku šířeného vzduchem (v dB(A) re 1 pW)		39	Třída emisí hluku šířeného vzduchem	C
Roční spotřeba energie (v kWh/rok)		168	Klimatická třída:	mírné pásmo, subtropické pásmo
Minimální teplota okolí (ve °C), pro kterou je chladicí spotřebič vhodný		16	Maximální teplota okolí (ve °C), pro kterou je chladicí spotřebič vhodný	38
Zimní nastavení		Ne		

Parametry prostorů:

		Parametry a hodnoty prostorů			
Typ prostoru		Objem prostoru (v dm ³ nebo l)	Doporučené nastavení teploty pro optimalizované uchovávání potravin (ve °C) Tato nastavení nesmějí být v rozporu s podmínkami uchovávání stanovenými v příloze IV tabulce 3	Mrazicí výkon (v kg/24h)	Defrosting type (auto-defrost=A, manual defrost=M)
Spíž	Ne	-	-	-	-

Uchovávání vína	Ne	-	-	-	-
S mírnou teplotou	Ne	-	-	-	-
Čerstvé potraviny	Ano	198,0	-	-	M
Zchlazovací	Ne	-	-	-	-
Bez označení hvězdičkou nebo pro výrobu ledu	Ne	-	-	-	-
Označený jednou hvězdičkou	Ne	-	-	-	-
Označený dvěma hvězdičkami	Ne	-	-	-	-
Označený třemi hvězdičkami	Ne	-	-	-	-
Označený čtyřmi hvězdičkami	Ano	71,0	-	-	M
Oddíl označený dvěma hvězdičkami	Ne	-	-	-	-
Prostor s nastavitelnou teplotou	-	-	-	-	-
Pro prostory označené čtyřmi hvězdičkami					
Funkce rychlého zmrazení			Ne		
Parametry zdroje světla:					
Typ zdroje světla			LED		
Třída energetické účinnosti			-		
Minimální doba trvání záruky nabízená výrobcem: 36 měsíců					
Další informace:					
Odkaz na internetové stránky výrobce, kde lze nalézt informace podle bodu 4 písm. a) přílohy nařízení Komise (EU) 2019/2019: www.siguro.cz					

Ďakujeme, že ste si kúpili spotrebič značky SIGURO. Sme vďační za vašu dôveru a je nám radosťou predstaviť vám prístroj na ďalších stránkach a oboznámiť vás so všetkými jeho funkciami a spôsobmi použitia.

Veríme v spravodlivú a zodpovednú spoločnosť, a preto spolupracujeme iba s dodávateľmi, ktorí spĺňajú naše prísne kritériá na ochranu záujmu zamestnancov, prevenciu ich zneužívania a férové pracovné podmienky.

Ak potrebujete pomôcť s rozsiahlou údržbou alebo opravou výrobku, ktorá vyžaduje zásah do jeho vnútorných častí, je vám k dispozícii náš autorizovaný servis na e-mailovej adrese siguro@alza.cz alebo operátori na infolinke predajcu. Pre vaše pohodlie pri riešení akýchkoľvek problémov s výrobkom sme tieto kontaktné miesta zjednotili a vyššie uvedené kontakty je možné využiť aj v prípade všetkých reklamácií alebo pozáručného servisu.

BEZPEČNOSTNÉ INFORMÁCIE



Pred použitím si, prosím, pozorne prečítajte tento manuál a uschovajte ho na budúce použitie.

1. Tento spotrebič môžu používať deti vo veku 8 rokov a staršie a osoby so zníženými fyzickými, zmyslovými alebo mentálnymi schopnosťami alebo nedostatkom skúseností a znalostí, ak sú pod dozorom alebo boli poučené o používaní spotrebiča bezpečným spôsobom a rozumejú prípadným nebezpečenstvám.
2. Deti sa so spotrebičom nesmú hrať.
3. Čistenie a údržbu vykonávanú používateľom nesmú vykonávať deti bez dozoru.
4. Ak je napájací prívod poškodený, musí ho nahradiť výrobca, jeho servisný technik alebo podobne kvalifikovaná osoba, aby sa zabránilo vzniku nebezpečnej situácie.



UPOZORNENIE: NEBEZPEČENSTVO OHŇA!

5. Deti vo veku 3 až 8 rokov môžu vkladat a vyberat potraviny zo spotrebiča.
6. **VÝSTRAHA:** Vetracie otvory v kryte spotrebiča alebo v jeho konštrukcii je nutné udržiavať voľné.
7. **VÝSTRAHA:** Na urýchlenie odmrazovacieho procesu nepoužívajte žiadne mechanické zariadenia alebo iné prostriedky než tie, ktoré výrobca odporúča.
8. **VÝSTRAHA:** Nepoškodzuje chladiaci obvod.

9. **VÝSTRAHA:** Nepoužívajte elektrické spotrebiče v priestore na uchovanie potravín, ak nejde o typy odporúčané výrobcom.
10. V tomto spotrebiči neukladajte výbušné látky, ako sú spreje s horľavým hnacím plynom.
11. Tento spotrebič je určený na použitie v domácnosti a podobných priestoroch, ako sú:
 - kuchynské kúty v obchodoch, kanceláriách a na ostatných pracoviskách;
 - spotrebiče používané hosťami v hoteloch, motelloch a iných obytných prostrediach;
 - spotrebiče používané v podnikoch zaistujúcich nocľah s raňajkami;
 - spotrebiče používané v stravovacích a podobných nepredajných prostrediach.
12. Tento spotrebič je určený ako voľne stojaci. Nie je určený ako zabudovaný ani pripravený.
13. Používajte tento spotrebič iba podľa pokynov uvedených v tomto návode. Tým zaistíte bezpečné uchovanie potravín.
14. Aby sa zabránilo kontaminácii potravín, dodržujte nasledujúce odporúčania:
 - Otvorenie dveriek na dlhý čas môže spôsobiť výrazné zvýšenie teploty v priestoroch spotrebiča.
 - Pravidelne čistite povrchy, ktoré môžu prísť do styku s potravinami, a prístupné drenážne systémy.
 - Vyčistite vodné nádoby, ak sa nepoužívali 48 hodín. Prepláchnite vodný systém pripojený k prívodu vody, ak voda nepretekala 5 dní.
 - Surové mäso a ryby ukladajte do chladničky vo vhodných obaloch tak, aby neboli v kontakte s inými potravinami alebo na ne nekvapkali tekutiny z nich.
 - Dvojhviezdičkové mraziace priestory sú vhodné na ukladanie vopred zmrazených potravín, uloženie alebo na výrobu zmrzliny a výrobu kociek ľadu.
 - Jedno-, dvoj- a trojhviezdičkové priestory nie sú vhodné na mrazenie čerstvých potravín.
 - Ak nechávate chladiaci spotrebič prázdny dlhý čas, vypnite ho, odmrazte, vyčistite, vysušte a nechajte dverka otvorené, aby sa zabránilo tvorbe plesní vnútri spotrebiča.
15. **VÝSTRAHA:** Pri umiestňovaní spotrebiča sa musí zaistiť, aby napájací prívod nebol zachytený alebo poškodený.
16. **VÝSTRAHA:** Neumiestňujte viacnásobné prenosné zásuvky alebo prenosné predlžovacie prívody na zadnú stranu spotrebiča.
17. **VAROVANIE:** Je nebezpečné pre kohokoľvek iného, než je kvalifikovaný servisný technik, vykonávať servis alebo opravy, ktoré zahŕňajú odstránenie krytu. Aby ste zabránili riziku úrazu elektrickým prúdom, neopravujte spotrebič sami.
18. Nádoby s horľavými plynmi alebo tekutinami môžu pri nízkych teplotách unikať.
19. Do priestoru mrazničky nikdy nekladajte sýtené ani perlivé nápoje, fľaše ani plechovky.

20. Nanuky aj zmrzlina môžu spôsobiť omrzliny, ak ich budete konzumovať ihneď po vybratí z mrazničky. Pred konzumáciou vždy vyčkejte aspoň 5 minút.
21. Nedotýkajte sa potravín v mrazničke mokkými alebo vlhkými rukami. Mohlo by dôjsť k zraneniu pokožky alebo vzniku omrzlín.
22. Zaisťte, aby deti nemanipulovali s ovládacími prvkami.
23. Spotrebič je ťažký. Buďte obzvlášť opatrní pri manipulácii so spotrebičom. Odporúčame, aby manipuláciu vykonávali dve osoby.
24. Je nebezpečné akýmkoľvek spôsobom vykonávať úpravy alebo modifikácie spotrebiča.
25. LED žiarivku, ktorá osvetľuje vnútorný priestor chladničky, smie vymeniť iba technik autorizovaného servisu. Nikdy nevymieňajte žiarivku sami.
26. **VÝSTRAHA:** Chladiace spotrebiče – najmä chladnička s mrazničkou typu I – nemusia fungovať správne (môže hroziť rozmrazenie obsahu alebo príliš vysoké teploty v oddiele pre mrazené potraviny), ak sú umiestnené na dlhší čas pod spodnou hranicou teplotného rozsahu, pre ktorý je chladiaci spotrebič určený.
27. **VÝSTRAHA:** Pri dvierkach a vekách, ktoré sú vybavené zámkou, je dôležité, aby sa kľúče od zámky uchovávali mimo dosahu detí v dostatočnej vzdialenosti od spotrebiča, aby sa deti nemohli v spotrebiči zamknúť.
28. **VÝSTRAHA:** Chladiivo v spotrebiči a izolačný materiál vyžaduje zvláštne zaobchádzanie pri likvidácii spotrebiča.

Elektrické zapojenie

1. Tento spotrebič musí byť zapojený do riadne uzemnenej zásuvky s napätím 220 – 240 V ~ 50 Hz. Pred zapojením spotrebiča do sieťovej zásuvky sa uistite, že napätie v zásuvke zodpovedá napätiu na typovom štítku.
2. Spotrebič je určený na použitie s meničom napätia.
3. Napájací prívod sa musí viesť za spotrebičom. Nemal by byť odkrytý ani visieť, aby sa zabránilo náhodnému zraneniu.
4. Nikdy neodpájajte spotrebič od sieťovej zásuvky ťahom za napájací prívod. Vždy ho odpájajte ťahom za vidlicu.
5. Nepoužívajte predlžovací kábel, mohlo by to negatívne ovplyvniť výkon spotrebiča. Ak je napájací prívod krátky, obráťte sa na kvalifikovaného elektrikára alebo servisného technika, aby inštaloval sieťovú zásuvku do blízkosti spotrebiča.

Klimatická trieda

Informácia o klimatickej triede je uvedená na typovom štítku spotrebiča. Udáva informácie o teplotách (teploty miestnosti, v ktorej je spotrebič umiestnený), pri ktorých je prevádzka spotrebiča optimálna.

Klimatická trieda	Rozsah okolitej teploty
SN	Od +10 °C do 32 °C
N	Od 16 °C do 32 °C

ST	Od 16 °C do 38 °C
T	Od 16 °C do 43 °C



Poznámka:

Je potrebné prispôbiť nastavenie prevádzkovej teploty spotrebiča v závislosti od klimatickej triedy, okolitej teploty, častosti otvárania dverí a pod. Ak budete prevádzkovať spotrebič v klimatickej triede, pre ktorú nie je spotrebič určený, nemusí spotrebič fungovať správne.

Zámok

Ak je spotrebič vybavený zámkom, uchovávajte kľúč na bezpečnom mieste (nie v blízkosti spotrebiča) mimo dosahu detí, aby nedošlo k ich náhodnému uväzneniu vnútri spotrebiča.

Pred ekologickou likvidáciou spotrebiča zámku poškodte alebo znehodnotte, aby nebolo možné ju viac používať.

Chladivo R600a

Chladivo R600a a izolačný materiál cyklopentán, ktoré sa používajú v chladiacich zariadeniach, sú látky šetrné k životnému prostrediu, neškodia ozónovej vrstve a majú veľmi malý dopad na globálne otepľovanie. Chladivo R600a, ktoré sa nachádza v chladiacom obvode, je horľavé. Počas prepravy, inštalácie alebo inej manipulácie so spotrebičom dbajte na zvýšenú opatrnosť, aby ste nepoškodili chladiaci obvod a nedošlo k úniku chladiva alebo chladiacich plynov. Ak by došlo k poškodeniu chladiaceho obvodu a úniku chladiva alebo chladiacich plynov, bezodkladne uhasťe akýkoľvek zdroj otvoreného ohňa a otvorte okná.

Spotrebiče, ktoré obsahujú chladivo a chladiace plyny, sa musia ekologicky a odborne zlikvidovať. Nesprávna likvidácia môže spôsobiť poranenie, vznietenie alebo vznik inej nebezpečnej situácie. S chladivom a chladiacimi plynmi môže manipulovať iba kvalifikovaná osoba s platnou certifikáciou. Pred likvidáciou sa uistite, že chladiaci obvod nie je poškodený.

Prehľad

- 1 Termostat
- 2 Police chladničky
- 3 Kryt zásuvky na zeleninu
- 4 Zásuvka na ovocie/zeleninu
- 5 Zásuvky mrazničky
- 6 Nastaviteľné nohy
- 7 Dvierka chladničky
- 8 Dverné priehradky
- 9 Dvierka mrazničky
- 10 Formička na ľad
- 11 Tácka na vajcia



PREPRAVA

Spotrebič sa musí prevážať výhradne vo vzpriamenej polohe. Obalový materiál slúži na ochranu spotrebiča počas prepravy a musí byť počas prepravy neporušený.

Ak je to nevyhnutné a spotrebič je nutné prepravovať v horizontálnej polohe, musí byť položený tak, aby sa dvierka neotvárali, a nedošlo tak k ich poškodeniu. Potom sa musí spotrebič umiestniť do vertikálnej polohy. Pripojenie vidlice napájacieho prívodu a zapnutie spotrebiča sa nesmie vykonať aspoň 4 hodiny po uvedení do vertikálnej polohy, aby sa ustáľilo chladivo v chladiacom systéme. V opačnom prípade môže dôjsť k nevratnému poškodeniu spotrebiča a vzniku nebezpečnej situácie.

Spotrebič je ťažký a odporúčame, aby s ním manipulovali aspoň dve osoby. Vyvarujte sa prenášania spotrebiča za horný rám, dvierka a pod.

PRÍPRAVA PRED POUŽITÍM

Vybalenie spotrebiča

Opatrne chladničku vybalte a odstráňte z nej všetky pásky, štítky a fólie.

Výber miesta inštalácie

Chladnička musí byť inštalovaná na pevnom a rovnom povrchu v dostatočnej vzdialenosti od sieťovej zásuvky. Neinštalujte chladničku na koberce, rohožky alebo iný podobný materiál, to môže spôsobiť nežiaduce vibrácie a nadmerný hluk.

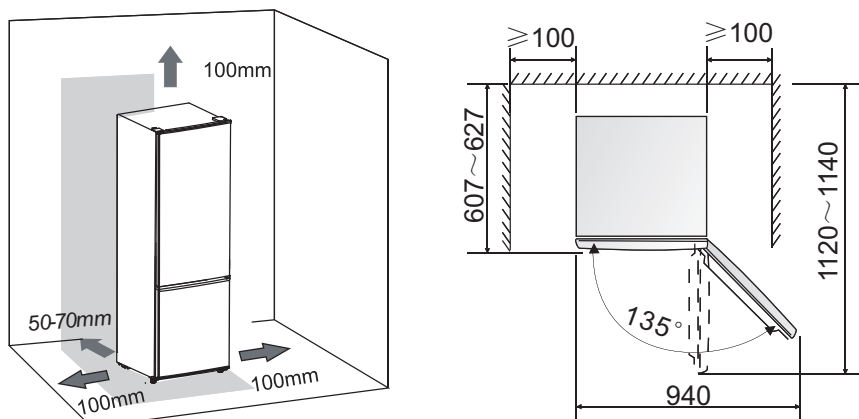
Spotrebič je určený na použitie v domácnosti a vnútri budovy. Neinštalujte ho vonku alebo na mieste, kde by bol vystavený dažďu, snehu, vlhkosti alebo iným zlým poveternostným podmienkam.

V prípade potreby chladničku vyrovnajte. Na vyrovnanie slúžia nastaviteľné nohy. Ich vyskrutkovaním alebo zaskrutkovaním chladničku vyrovnáte. Je to dôležité pre to, aby chladnička nespôsobovala nežiaduce vibrácie a nadmerný hluk.

Množstvo náplne chladiva nájdete na typovom štítku spotrebiča.

Okolo spotrebiča je potrebné zaistiť dostatočný voľný priestor na správnu cirkuláciu vzduchu, a to aspoň 50 mm po všetkých stranách a hore – pozrite obrázok nižšie.

Zaistite dostatočne voľný priestor pred spotrebičom, aby ste mohli ľahko otvárať dverka.



Neinštalujte chladničku do blízkosti sporáka, kúrenia alebo iných zdrojov tepla. Zabráňte tomu, aby bola chladnička vystavená priamemu slnečnému svitu.

Chladničku neinštalujte do vlhkých alebo prašných miestností. Nikdy nezakrývajte ventilačné otvory.

Chladnička môže spôsobiť rušenie rádiových zariadení alebo televízora. Uistite sa, že je chladnička umiestnená v dostatočnej vzdialenosti od týchto zariadení.

Čistenie pred použitím

Pred prvým použitím alebo ak ste chladničku nepoužívali dlhší čas, vyčistite vnútorný priestor a všetky police a priehradky čistou vodou, príp. do vody pridajte trochu bieleho octu. Nikdy nepoužívajte žiadne čistiace prostriedky, rozpúšťadlá, benzín a pod., pretože by ste mohli narušiť povrchovú úpravu a chladničku nenávratne poškodiť.

Čas státia

Po inštalácii a vyčistení vyčakajte aspoň 1 hodinu pred zapojením vidlice do sieťovej zásuvky, aby ste zaistili jej správnu prevádzku. Za tento čas sa chladivo rovnomerne v obvode rozloží.

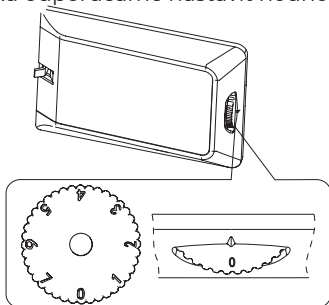
Pripojenie k zdroju napájania

Vložte vidlicu napájacieho prívodu do riadne uzemnenej sieťovej zásuvky. Spotrebič musí byť uzemnený. Napätie uvedené na typovom štítku spotrebiča sa musí zhodovať s napätím vo vašej sieťovej zásuvke. V prípade pochybností sa obráťte na svojho dodávateľa elektrickej energie alebo na kvalifikovaného elektrikára.

POUŽITIE

Nastavenie teploty v chladničke

Vnútorná teplota sa ovláda pomocou termostatu. Jeho otáčaním nastavíte zodpovedajúcu teplotu, kde hodnota „1“ predstavuje najvyššiu teplotu a hodnota „7“ najnižšiu teplotu. Pre bežnú prevádzku odporúčame nastaviť hodnotu 2 až 4.



Ak otočíte termostat na hodnotu „0“, chladnička bude vypnutá. Ak nastavíte hodnotu „7“, kompresor bude stále v prevádzke. Táto hodnota je vhodná, ak zapínate chladničku prvýkrát, po dlhšom čase alebo potrebujete do chladničky vložiť alebo zamraziť väčšie množstvo čerstvých potravín. Neodporúčame nastavovať hodnotu „7“ na dlhodobú prevádzku chladničky. Môže dochádzať k nadmernej tvorbe ľadovej námrazy a potraviny v chladničke sa môžu čiastočne zmraziť.



Poznámka:

Chladnička nemusí fungovať správne, ak je umiestnená v teplej miestnosti alebo často otvárate dverka.

Umiestnenie políc

Vnútorne steny chladničky sú vybavené vodiacimi drážkami, aby bolo možné upraviť umiestnenie jednotlivých políc podľa potravín vnútri chladničky. Uvoľnite zadnú časť police a vytiahnite ju von. Vložte policu do požadovaných vodiacich drážok (rovnaká výška na oboch stranách) a zasuňte ju do vnútorného priestoru.

Umiestnenie dverných priehradiek

Dverné priehradky je možné umiestniť do rôznych výšok, aby bolo možné pohodlne umiestniť potraviny rôznych veľkostí. Opatrne vytiahnite dvernú priehradku nahor, až sa uvoľní. Premiestnite ju na požadované miesto a pohybom dole ju zaistíte.

Skladovanie potravín

Studený vzduch cirkuluje v celom priestore chladničky, a teplota je tak v rôznych častiach chladničky odlišná, a preto by rôzne druhy potravín mali byť umiestnené na rôznych miestach.

Potraviny ukladajte do chladničky v pôvodnom obale alebo vo vzduchotesných nádobách, aby sa zabránilo vzniku nepríjemného zápachu alebo prípadnej kontaminácii. V priestore chladničky skladujte čerstvé potraviny, ako sú varené jedlá, nápoje, vajcia, mliečne výrobky a pod. V zásuvke skladujte zeleninu a ovocie. V priestore mrazničky skladujte zmrzlinu, mrazené jedlá a potraviny a pod.

Umiestnenie potravín v chladničke

Priehradky vo dverách	Nápoje, džemy, dochucovadlá (napr. horčice)
Zásuvka na ovocie/zeleninu	Ovocie, zelenina, bylinky, ktoré sú určené na skladovanie v chladničke
Prostredná polica	Mliečne výrobky, vajcia
Horná polica	Potraviny, ktoré nevyžadujú tepelnú úpravu; údeniny, hotové jedlá a pod.
Zásuvky mrazničky	Potraviny vhodné na dlhodobé skladovanie. Spodná zásuvka: surové mäso, hydina alebo ryby Prostredná zásuvka: mrazená zelenina, hranolčeky Horné zásuvky: zmrzlina, mrazené ovocie, mrazené pečivo

Formička na ľad: Naplňte formičku na ľad čistou, pitnou vodou a vložte ju do mraziaceho priestoru.

Pri nákupe potravín:

- Aby ste zabránili plynutiu, vytvorte si nákupný zoznam a nakupujte iba primerané množstvo.
- Kontrolujte vždy dátum spotreby uvedenej na obale.
- Kontrolujte stav obalu, nemal by byť poškodený.
- Obzvlášť pri ovocí a zelenine kontrolujte vzhľad a vôňu. Nakupujte iba ovocie a zeleninu bez chyby.
- Mrazené potraviny vkladajte do nákupného košíka ako posledné a používajte špeciálne tašky na ich prevoz.
- Pri nákupe balených potravín vždy skontrolujte, či je obal neporušený.
- Dodržujte maximálne množstvo potravín, ktoré je možné zamraziť počas 24 hodín. Tento údaj je uvedený na typovom štítku. Za tento čas otvárajte dvierka mrazničky čo najmenej.
- Pred vložením zmrazených alebo čerstvých potravín, ktoré sú určené na zamrazenie, sa vždy uistite, že je vnútorný priestor dostatočne vychladený, a to obzvlášť ak budete skladovať už zmrazené potraviny. V opačnom prípade by mohlo dôjsť k ich rozmrazeniu.
- Pred zamrazením nechajte horúce potraviny celkom vychladnúť.
- Čerstvé potraviny zabaľte do vrecúšok na ich správne uchovanie. Označte si ich názvom, hmotnosťou a dátumom. Vrecúška by mali byť pred vložením do mrazničky suché.

Pri skladovaní potravín:

- Pravidelne kontrolujte stav skladovaných potravín a včas ich skonzumujte.
- Potraviny, ktoré pravidelne konzumujete alebo používate, umiestnite dopredu. Skrátime tým čas, keď sú dvierka otvorené.
- Rozmrazené alebo čiastočne rozmrazené potraviny už znovu nezamrazujte.
- Rozmrazené mäso tepelne spracujte.
- V chladničke neskladujte príliš mnoho potravín. Zaistíte okolo potravín voľný priestor, aby mohol studený vzduch voľne prúdiť.
- Teplé potraviny nechajte pred ich vložením do chladničky vychladnúť.
- Neotvárajte dvierka chladničky príliš často.

- Skladujte v chladničke iba tie potraviny, ktoré sú určené na skladovanie v chladničke. Niektoré potraviny, obzvlášť ovocie alebo zelenina, nevyžadujú skladovanie v chladničke.
- Potraviny ukladajte do mrazničky v pôvodnom obale alebo vo vzduchotesných nádobách, aby sa zabránilo vzniku nepríjemného zápachu alebo prípadnej kontaminácii.
- Pri ukladaní potravín do mraziaceho priestoru dodržujte vzdialenosť od vnútornej steny. Potraviny bohaté na vodu neumiestňujte príliš blízko k zadnej stene, aby nedošlo k ich primrznutiu.
- Nevkladajte do mrazničky sklenené dózy naplnené tekutinou ani nápoje v plechovkách. Hrozí ich poškodenie, pretože tekutina pri mrazení zväčšuje svoj objem.

ČISTENIE A ÚDRŽBA

Udržujte chladničku čistú. Zvyšky jedál alebo potravín môžu v chladničke spôsobiť nepríjemný zápach. Odporúčame police, zásuvku a priehradky čistiť aspoň raz za mesiac.



Varovanie:

Nikdy neponárajte spotrebič, napájací prívod ani vidlicu do vody ani inej tekutiny.

Bežná údržba

Z priestoru chladničky, s výnimkou mrazničky, vyberte všetky potraviny a potom police, zásuvku a priehradky. Umyte tieto časti v teplej vode s trochou kuchynského saponátu, opláchnite a utrite dosucha.

Vnútrotný priestor chladničky utrite čistou utierkou mierne navlhčenou v čistej a vlažnej vode. Utrite dosucha.

Utrite tesnenie okolo dvierok chladničky mäkkou utierkou mierne navlhčenou v teplej vode.

Vonkajší povrch chladničky utrite mäkkou utierkou mierne navlhčenou v teplej vode s trochou kuchynského saponátu.

Odstráňte prach zo zadnej steny chladničky. Môžete použiť vysávač s nasadenou kefovou hubicou a nastaveným nízkym výkonom.

Aby ste zabránili pretečeniu rozmrazenej vody do vnútorného priestoru chladničky, pravidelne čistite odtokový otvor, ktorý sa nachádza v zadnej oblasti chladiacej časti pomocou úzkeho a dlhého predmetu.



Varovanie:

Na čistenie nepoužívajte hrubé čistiace prostriedky, alkalické prostriedky, rozpúšťadlá, benzín atď. Používajte iba mäkkú hubku alebo utierku. Nepoužívajte drôtenky ani iné materiály, ktoré by mohli spôsobiť poškriabanie povrchu.



Varovanie:

Na čistenie chladničky nikdy nepoužívajte parný čistič.

Odmrazovanie

Námrazu je potrebné pravidelne odstraňovať, pretože môže negatívne ovplyvniť účinnosť mrazenia, chod spotrebiča aj zvýšiť jeho energetickú náročnosť.

Pri odmravovaní postupujte nasledujúcim spôsobom:

1. Chladničku vypnite. Otočte termostat do polohy 0 a odpojte vidlicu napájacieho prívodu od sieťovej zásuvky.
2. Vyberte zásuvky a potraviny zabaľte do vrstvy novín a uložte na chladné miesto.
3. Nechajte dvierka otvorené a do vnútorného priestoru položte nádobu, do ktorej budete zachytávať vodu a námrazu.
4. Proces odmravovania môžete urýchliť tak, že do vnútorného priestoru vložíte nádobu s horúcou vodou.
5. Námrazu môžete odstraňovať aj pomocou plastovej škrabky.
6. Hneď ako je mraznička odmravená, utrite ju čistou utierkou dosucha.
7. Zapojte vidlicu napájacieho prívodu do sieťovej zásuvky a nastavte termostatom požadovanú teplotu. Odporúčame nastaviť hodnotu 7 na prvých 12 hodín prevádzky.
8. Vložte potraviny do zásuviek a tie späť do mrazničky.



Varovanie:

Na odstraňovanie námrazu nikdy nepoužívajte kovové náčinie, sušiče vlasov, ventilátory či iné elektronické zariadenia.

Výmena osvetlenia



Varovanie:

Ak je osvetlenie poškodené, nesmie ho používateľ sám vymieňať. V takom prípade sa obráťte na autorizovaný servis.

Výmena LED žiarivky vykonaná neskúsenou osobou môže spôsobiť zranenie alebo vážnu poruchu. Aby ste predišli vzniku nebezpečnej situácie, odporúčame, aby výmenu vykonávala kvalifikovaná osoba. Obráťte sa na autorizovaný servis.

1. Pred výmenou LED žiarivky vypnite spotrebič otočením termostatu do polohy „0“ a odpojte ho od zásuvky.
2. Údaje o LED žiarivke: 220 – 240 V~, max. 1,5 W.
3. Stlačte tienidlo a posuňte ho dozadu.
4. Uvoľnite skrutku a vyberte držiak žiarivky. Vyberte LED žiarivku z držiaka a vložte doň novú.
5. Vložte držiak späť, zaistite skrutkou a nasadte tienidlo.
6. Chladničku uveďte späť do prevádzky.

Vypnutie chladničky na dlhší čas

Ak nebudete chladničku dlhší čas používať, odpojte vidlicu od sieťovej zásuvky. Vyčistite vnútorný priestor, vrátane mrazničky, podľa pokynov vyššie.

Nechajte dvierka otvorené, aby nedošlo k tvorbe nežiaduceho zápachu.

RIEŠENIE PROBLÉMOV

Problém	Príčina	Riešenie
Chladnička nechladí.	Termostat je nastavený na „0“.	Otočte termostatom a nastavte teplotu.
	Vidlica nie je zapojená v sieťovej zásuvke alebo je zle zapojená.	Zapojte správne vidlicu do sieťovej zásuvky.
	Istič je spadnutý alebo je vyhoretá poistka.	Skontrolujte istič a poistka.
	Sieťová zásuvka je poškodená.	Obráťte sa na kvalifikovaného elektrikára.
Chladnička príliš chladí/mrazí.	Je nastavená nízka teplota, príp. je zapnutá funkcia rýchleho mrazenia.	Upravte teplotu, príp. vypnite funkciu rýchleho mrazenia.
Chladnička nedostatočne chladí/mrazí.	Nastavili ste príliš vysokú teplotu.	Znížte nastavenú teplotu.
	Dvierka boli dlho otvorené.	Skráťte čas otvorenia dvierok.
	V chladničke je príliš mnoho potravín alebo ste vložili horúce potraviny.	Skontrolujte, či sú všetky potraviny určené na skladovanie v chladničke. Teplé potraviny nechajte vychladnúť pred vloženíím do chladničky.
	Chladnička je vystavená priamemu slnečnému svitu alebo inému zdroju tepla.	Premiestnite chladničku.
Chladnička vydáva nezvyklý hluk.	Chladnička nie je vyrovnaná.	Vyrovnajzte chladničku pomocou nôh.
	Chladnička sa dotýka steny alebo iného predmetu.	Odtiahnite chladničku od steny/predmetu.
	Časť chladničky (napr. potrubie) v zadnej časti sa dotýka inej časti chladničky alebo steny.	Upravte danú časť tak, aby sa nedotýkala inej časti alebo steny.
	Počas prevádzky spotrebiča sú nasledujúce zvuky normálne: Zvuk bežiaceho kompresora Zvuk bubľajúcej vody Praskavý zvuk pri automatickom odmravovaní chladničky Cvakavý zvuk pri spustení kompresora.	

Problém	Príčina	Riešenie
Na podlahe je voda.	Odtokový otvor je upchatý.	Vyčistite odtokový otvor.
V chladničke je nepríjemný zápach.	Interiér je špinavý.	Je potrebné chladničku vyčistiť.
	Potraviny so silnou arómou nie sú správne zabalené.	Riadne zabalte takéto potraviny, príp. ich vložte do vzduchotesnej nádoby.
Motor je stále v chode.	Ide o bežný jav, a to obzvlášť v týchto prípadoch: Je nastavená nižšia teplota, než je nutné. Vložili ste väčšie množstvo teplých potravín do vnútorného priestoru. Okolité teplota je príliš vysoká. Dvierka boli dlho otvorené alebo príliš často sa otvárali. Spotrebič ste práve inštalovali alebo ste ho zapli po dlhšom čase.	
Dvierka nie je možné zavrieť.	Chladnička nie je vyrovnaná.	Vyrovnajete chladničku.
	Potraviny alebo nádoba vnútri bráni v zatvorení dvierok.	Preložte potraviny vo vnútornom priestore.
	Skontrolujte, či je horná časť chladničky naklonená 10 až 15 mm smerom dozadu, aby sa dvierka mohli zatvárať samy.	
LED žiarivka nesvieti.	LED žiarivka praskla.	Vymeňte LED žiarivku.

Ak problém nie je uvedený v tabuľke vyššie alebo sa problém nepodarilo vyriešiť, vypnite spotrebič, odpojte zástrčku prírodného kábla od sieťovej zásuvky a obráťte sa na autorizované servisné stredisko.

OTOČENIE SMERU OTVÁRANIA DVIEROK

Odporúčame, aby otočenie smeru otvárania dvierok vykonávali dve osoby. Pripravte si náradie, ktoré budete potrebovať: plochý skrutkovač, krížový skrutkovač a montážny kľúč.

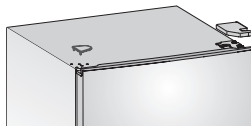
Aby ste mohli dvierka vybrať, bude potrebné chladničku mierne nakloniť smerom dozadu. Odporúčame chladničku umiestniť tak, aby ste ju mohli bezpečne oprieť o stenu, aby nedošlo k tomu, že by chladnička spadla pri vyberaní dvierok.

Všetky odstránené diely je potrebné bezpečne uchovať, pretože ich budete inštalovať späť na svoje miesta.

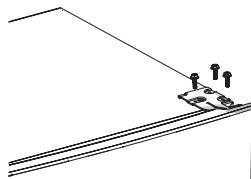
Nekladte chladničku do vertikálnej polohy. Mohlo by dôjsť k poškodeniu chladiaceho obvodu.

1. Uistite sa, že je vidlica napájacieho prívodu odpojená od sieťovej zásuvky. Otvorte dvierka a odstráňte dverné priehradky. Dvierka zavrite.

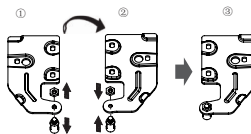
2. Odstráňte kryt horného závesu a kryt otvoru pre skrutky pomocou plochého skrutkovača alebo špachtle.



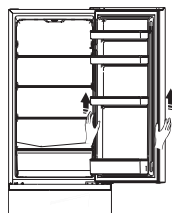
3. Vyskrutkujte skrutky horného závesu a vyberte ho. V prípade potreby pridržiujte dvierka chladničky zospodu.



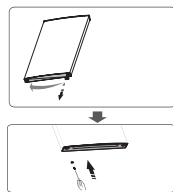
4. Vyberte os horného závesu, premiestnite ju na druhú stranu a pevne dotiahnite. Uložte nabok.



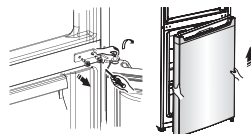
5. Uvoľníte dvierka chladničky zo stredového závesu opatrným zdvihnutím smerom hore. Dbajte na to, aby ste nestratili podložku, ktorá by sa mohla prichytiť k spodnej strane dvierok chladničky. Uložte ju nabok.



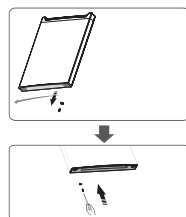
6. Položte dvierka chladničky na mäkkú podložku, aby sa nepoškrabali. Uvoľníte skrutku a vyberte záslepku. Inštalujte ich na ľavú stranu a skrutku dotiahnite.



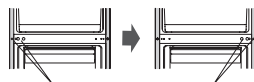
7. Vyskrutkujte skrutky stredového závesu, opatrne ho odstráňte a potom zdvihnite dvierka mrazničky. Dbajte na to, aby ste nestratili podložku, ktorá by sa mohla prichytiť k spodnej strane dvierok mrazničky. Uložte ju nabok.



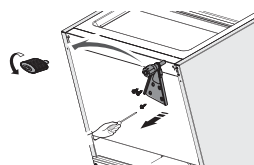
8. Položte dvierka mrazničky na mäkkú podložku, aby sa nepoškrabali. Uvoľnite skrutku a vyberte záslepku. Inštalujte ich na ľavú stranu a skrutku dotiahnite.



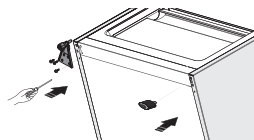
9. Presuňte kryty otvorov stredného závěsu z ľavej strany na pravú.



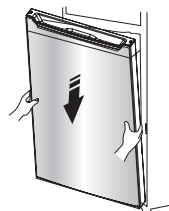
10. Opatrne nakloňte chladničku smerom dozadu a vyskrutkujte obe nastaviteľné nohy. Uvoľnite skrutky dosky predných nôh a spodného závěsu a vyberte ich.



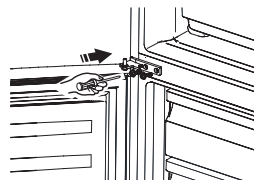
11. Inštalujte dolný záves na ľavú stranu a dosku predných nôh inštalujte na druhú stranu. Zaistite skrutkami.



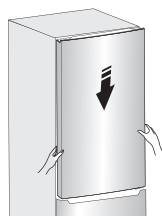
12. Postavte chladničku a na dolný záves nasadte dvierka mrazničky. Nasadte os spodného závěsu do spodného otvoru dvierok mrazničky a utiahnite skrutky.



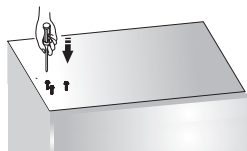
13. Stredový záves otočte o 180° a presuňte ho na druhú stranu. Uistite sa, že je os stredového závěsu zasunutá v otvore v hornej časti dvierok mrazničky. Uťahnite skrutky.



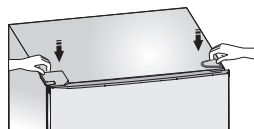
14. Nasadíte dvierka chladničky. Uistite sa, že sú rovné a že os stredového závesu zapadla do spodného otvoru dvierok chladničky.



15. Premiestnite horný záves na druhú stranu tak, aby os horného závesu zapadla do otvoru v hornej časti dvierok chladničky. Podľa potreby vyrovnajte a podprite dvierka chladničky zospodu. Zaistite horný záves skrutkami.



16. Nasadíte kryt horného závesu a kryt otvoru pre skrutky.



17. Otvorte dvierka a inštalujte späť dverné priehradky.



Poznámka:

Pri inštalácii oboch dvierok sa uistite, že tesnenie dobre prilieha k chladničke. Ak nebudú dvierka zarovnané a gumové tesnenie nebude tesniť, môže to spôsobiť nesprávne fungovanie chladničky.

Informačný list výrobku

DELEGOVANÉ NARIADENIE KOMISIE (EÚ) 2019/2016, pokiaľ ide o energetické označovanie chladiacich spotrebičov

Názov dodávateľa alebo jeho ochranná známka: Siguro

Adresa dodávateľa: PL - SIGURO, Jankovcova 1522/53 17000 Praha Holešovice Česká republika

Identifikačný kód modelu: SGR-BF-N140Y

Typ chladiaceho spotrebiča:

Spotrebič s nízkou hlučnosťou: Nie Dizajn: Voľne stojaci

Spotrebič na uchovávanie vína: Nie Iný chladiaci spotrebič: Nie

Všeobecné parametre výrobku:

Parameter	Hodnota	Parameter	Hodnota
Celkové rozmery (v milimetroch)	Výška	Celkový objem (v dm ³ alebo l)	269
	Šírka		
	Hĺbka		
EEL	80	Trieda energetickej účinnosti	D
Úroveň vydávaného hluku prenášaného vzduchom [dB(A) re 1 pW]	39	Úroveň vydávaného hluku prenášaného vzduchom	C
Ročná spotreba energie (kWh/a)	168	Klimatická trieda:	mierna, subtropická
Minimálna teplota okolia (°C), pre ktorú je chladiaci spotrebič vhodný	16	Maximálna teplota okolia (°C), pre ktorú je chladiaci spotrebič vhodný	38
Zimné nastavenie	Nie		

Parametre oddelení:

Typ oddelenia	Parametre a hodnoty oddelení			
	Objem oddelenia (v dm ³ alebo l)	Odporúčané nastavenie teploty pre optimalizované skladovanie potravín (°C) Tieto nastavenia nesať odporovať podmienkam skladovania stanoveným v tabuľke 3 prílohy IV	Mraziaci výkon (kg/24 h)	Defrosting type (auto-defrost=A, manual defrost=M)

Oddelenie s podmienkami komory	Nie	-	-	-	-
Oddelenie na uchovávanie vína	Nie	-	-	-	-
Oddelenie s podmienkami pivnice	Nie	-	-	-	-
Oddelenie na čerstvé potraviny	Áno	198,0	-	-	M
Oddelenie na uchovávanie rýchlo sa kaziacich potravín	Nie	-	-	-	-
Bez hviezdičkové alebo výroba ľadu	Nie	-	-	-	-
1-hviezdičkové	Nie	-	-	-	-
2-hviezdičkové	Nie	-	-	-	-
3-hviezdičkové	Nie	-	-	-	-
4-hviezdičkové	Áno	71,0	-	-	M
2-hviezdičkový oddiel	Nie	-	-	-	-
Oddelenie s premenlivou teplotou	-	-	-	-	-
Pri štvorhviezdičkových oddeleniach					
Funkcia rýchleho mrazenia			Nie		
Parametre zdroja svetla:					
Typ zdroja svetla			LED		
Trieda energetickej účinnosti			-		
Minimálne trvanie záruky, ktorú ponúka výrobca: 36 mesiacov					
Doplňujúce informácie:					
Odkaz na webovú stránku výrobcu, kde možno nájsť údaje podľa bodu 4 písm. a) prílohy k nariadeniu Komisie (EÚ) 2019/2019: www.siguro.cz					

Informačný list výrobku

DELEGOVANÉ NARIADENIE KOMISIE (EÚ) 2019/2016, pokiaľ ide o energetické označovanie chladiacich spotrebičov

Názov dodávateľa alebo jeho ochranná známka: Siguro

Adresa dodávateľa: PL - SIGURO, Jankovcova 1522/53 17000 Praha Holešovice Česká republika

Identifikačný kód modelu: SGR-BF-N140S

Typ chladiaceho spotrebiča:

Spotrebič s nízkou hlučnosťou:	Nie	Dizajn:	Voľne stojaci
Spotrebič na uchovávanie vína:	Nie	Iný chladiaci spotrebič:	Nie

Všeobecné parametre výrobku:

Parameter	Hodnota	Parameter	Hodnota
Celkové rozmery (v milimetroch)	Výška	Celkový objem (v dm ³ alebo l)	269
	Šírka		
	Hĺbka		
EEL	80	Trieda energetickej účinnosti	D
Úroveň vydávaného hluku prenášaného vzduchom [dB(A) re 1 pW]	39	Úroveň vydávaného hluku prenášaného vzduchom	C
Ročná spotreba energie (kWh/a)	168	Klimatická trieda:	mierna, subtropická
Minimálna teplota okolia (°C), pre ktorú je chladiaci spotrebič vhodný	16	Maximálna teplota okolia (°C), pre ktorú je chladiaci spotrebič vhodný	38
Zimné nastavenie	Nie		

Parametre oddelení:

Typ oddelenia	Parametre a hodnoty oddelení			
	Objem oddelenia (v dm ³ alebo l)	Odporúčané nastavenie teploty pre optimalizované skladovanie potravín (°C) Tieto nastavenia nesať odporovať podmienkam skladovania stanoveným v tabuľke 3 prílohy IV	Mraziaci výkon (kg/24 h)	Defrosting type (auto-defrost=A, manual defrost=M)

Oddelenie s podmienkami komory	Nie	-	-	-	-
Oddelenie na uchovávanie vína	Nie	-	-	-	-
Oddelenie s podmienkami pivnice	Nie	-	-	-	-
Oddelenie na čerstvé potraviny	Áno	198,0	-	-	M
Oddelenie na uchovávanie rýchlo sa kaziacich potravín	Nie	-	-	-	-
Bez hviezdičkové alebo výroba ľadu	Nie	-	-	-	-
1-hviezdičkové	Nie	-	-	-	-
2-hviezdičkové	Nie	-	-	-	-
3-hviezdičkové	Nie	-	-	-	-
4-hviezdičkové	Áno	71,0	-	-	M
2-hviezdičkový oddiel	Nie	-	-	-	-
Oddelenie s premenlivou teplotou	-	-	-	-	-
Pri štvorhviezdičkových oddeleniach					
Funkcia rýchleho mrazenia			Nie		
Parametre zdroja svetla:					
Typ zdroja svetla			LED		
Trieda energetickej účinnosti			-		
Minimálne trvanie záruky, ktorú ponúka výrobca: 36 mesiacov					
Doplňujúce informácie:					
Odkaz na webovú stránku výrobcu, kde možno nájsť údaje podľa bodu 4 písm. a) prílohy k nariadeniu Komisie (EÚ) 2019/2019: www.siguro.cz					

Köszönjük, hogy a SIGURO márka termékét választotta! Köszönjük, hogy megtisztelt bennünket a bizalmával! Örömmel mutatjuk be Önnek a készülékünket, a készülék funkcióit és a készülék használatát.

Hiszünk abban, hogy tisztességes és felelős vállalat vagyunk, ezért csak olyan beszállítókkal dolgozunk együtt, akik megfelelnek a munkavállalók érdekeinek a védelmére, a munkavállalói visszaélések megelőzésére, továbbá a tisztességes munkakörülmények biztosítására vonatkozó szigorú kritériumainknak.

Amennyiben a készüléken olyan karbantartást vagy javítást kíván végrehajtani, amelyhez a készüléket meg kell bontani, akkor forduljon a márkaszervizhez a siguro@alza.cz e-mailen, vagy hívja fel a vevőszolgálatunkat. A kényelmesebb ügyintézés érdekében egybevontuk a kapcsolati helyeinket, így a fenti kapcsolatokat nem csak a javítások és karbantartások megrendeléséhez, hanem a reklamációk benyújtásához vagy a garancia utáni szervizeléshez is fel lehet használni.

BIZTONSÁGI INFORMÁCIÓK



A használatba vétel előtt figyelmesen olvassa el a jelen útmutatót, és azt későbbi felhasználásokhoz is őrizze meg.

1. A készüléket 8 évnél idősebb gyerekek, idős, testi és szellemi fogyatékos személyek, illetve a készülék használatát nem ismerő és hasonló készülék üzemeltetéseinek a tapasztalataival nem rendelkező személyek csak a készülék használati utasítását ismerő és a készülék használatáért felelősséget vállaló személy felügyelete mellett használhatják.
2. A készülék nem játék, azzal gyerekek nem játszhatnak.
3. A készüléket gyerekek csak felnőtt személy felügyelete mellett tisztíthatják.
4. Az áramütések megelőzése érdekében, a készülék sérült hálózati vezetékét csak márkaszerviz, vagy villanszerelő szakember cserélheti ki.



FIGYELMEZTETÉS! TŰZVESZÉLY!

5. 3 és 8 év közötti gyerekek használhatják a készüléket, abból élelmiszereket vehetnek ki, vagy abba élelmiszereket rakhatnak be.
6. **FIGYELMEZTETÉS!** A készülék szellőzőnyílásait letakarni tilos.
7. **FIGYELMEZTETÉS!** A kiolvasztáshoz és a jég eltávolításához csak a készülék gyártója által ajánlott eszközöket használjon.

8. **FIGYELMEZTETÉS!** Előzze meg a hűtőkör sérülését.
9. **FIGYELMEZTETÉS!** A készüléken belül más elektromos készüléket használni tilos (kivéve, ha ezt a készülék gyártója engedélyezte).
10. A készülékben robbanékony anyagokat (pl. gyúlékony hajtógázzal töltött spray) tárolni tilos.
11. A készüléket háztartásokban, illetve a következő helyeken lehet használni:
 - konyhák, irodai és egyéb munkahelyi kiskonyhák;
 - szállodai és motelszobák, munkásszállások konyhái,
 - turistaszállások és egyéb jellegű szállások,
 - étkezdék, kifőzdék és egyéb nem üzleti jellegű ételkiadók.
12. Ez a készülék szabadon álló készülék. A készüléket nem lehet beépíteni vagy rögzíteni.
13. A készüléket csak a jelen útmutatóban leírt módon és célokra használja. Csak így biztosítható a tárolt élelmiszerek biztonsága.
14. Az élelmiszerek tisztasága és eltarthatósága érdekében tartsa be a következőket.
 - Az ajtó gyakori nyitogatása vagy nyitva tartása következtében a készülék belső hőmérséklete jelentős mértékben nőhet.
 - Az élelmiszerekkel kapcsolatba kerülő felületeket, és hozzáférhető vízelvezető felületeket gyakran tisztítsa meg.
 - Tisztítsa meg a víztartályt, ha legalább 48 órán keresztül nem használta. Öblítse át a vízrendszert, ha legalább 5 napon keresztül nem használta.
 - A nyers húst és halakat csomagolja be megfelelő csomagolóanyagba (edénybe), hogy azok ne kerüljenek közvetlenül kapcsolatba az egyéb élelmiszerekkel, illetve azokról a lé ne csöpögjön le.
 - A két csillaggal megjelölt fagyasztó szekrényekbe előre lefagyasztott (mirelit) alapanyagokat és ételeket lehet berakni, illetve a fagyasztóban jégkockát és fagyalaltot lehet készíteni.
 - Az egy, két vagy három csillaggal megjelölt fagyasztókban nem lehet friss alapanyagokat és élelmiszereket lefagyasztani.
 - Amennyiben a készüléket hosszabb ideig üresen kívánja hagyni, akkor a készüléket kapcsolja le, olvassza ki, tisztítsa ki, szárítsa meg, és az ajtót hagyja kissé nyitva (a penészképződés megelőzése érdekében).
15. **FIGYELMEZTETÉS!** Ügyeljen arra, hogy a hálózati vezeték ne sérüljön meg és ne akadályozza a szabad mozgást.
16. **FIGYELMEZTETÉS!** A készüléket ne csatlakoztassa aljzatba dugott elosztóhoz vagy hosszabbító vezetékhez.
17. **FIGYELMEZTETÉS!** A készülék burkolatának a leszerelésével járó javításokat csak márkaszerviz hajthat végre a készüléken. A készüléket ne próbálja megjavítani, áramütés érheti.
18. A készülékből gyúlékony gáz áramolhat ki, a hűtőközeg halmazállapot változás közben fagsérülést okozhat.
19. A fagyasztóba palackos vagy dobozos szénsavas italokat ne tegyen be.
20. A fagyasztóból kivett és azonnal elfogyasztott fagyalt fagyási sérüléseket okozhat. A fagyalt elfogyasztása előtt várjon legalább 5 percet.
21. A fagyasztóból kivett élelmiszert nedves és vizes kézzel ne fogja meg.

Ellenkező esetben fagyási sérülés érheti.

22. Ügyeljen arra, hogy a gyerekek ne kezeljék a készülék működtető elemeit.
23. A készülék nehéz. Legyen óvatos a készülék mozgatása közben. A készüléket két személy mozgassa.
24. A készüléket megváltoztatni vagy átalakítani tilos.
25. A hűtőszekrény belső részét világító LED lámpát csak márkaszerviz vagy villanyszerelő szakember cserélheti ki. A lámpát ne cserélje ki saját erőből.
26. **FIGYELMEZTETÉS!** A hűtőkészülékek - különösen az I. típusú hűtő-fagyasztó készülékek - nem működnek megfelelően (a tartalom felolvadhat, vagy a fagyasztott élelmiszerek rekeszében a hőmérséklet túl magas lehet), ha hosszabb ideig, a hűtőkészülék tervezése szerinti külső hőmérsékleti tartomány alsó határa alatti hőmérsékleten üzemeltetik.
27. **FIGYELMEZTETÉS!** A zárral szerelt ajtók és fedelek kulcsait gyerekeknek elérhetetlen helyen kell elhelyezni, hogy véletlenül se tudják a játszó gyerekek egymásra zárni ezeket az ajtókat (fedeleket).
28. **FIGYELMEZTETÉS!** A készülékben felhasznált hűtőközeget és a hőszigetelő anyagokat veszélyes hulladékként kell kezelni a készülék megsemmisítése során.

Elektromos bekötés

1. A készüléket 220-240 V~, 50 Hz feszültségű fali aljzathoz kell csatlakoztatni. A készüléket csak a típuscímkén feltüntetett tápfeszültség értékeivel megegyező hálózathoz szabad csatlakoztatni.
2. A készüléket nem szabad feszültségátalakítóról üzemeltetni.
3. A hálózati vezetékét a készülék mögött vezesse el. Ügyeljen arra, hogy a hálózati vezetékben senki se akadjon el vagy botoljon el.
4. A hálózati vezetékét a vezetéknél megfogva nem szabad a fali aljzathoz kihúzni. A művelethez mindig a csatlakozódugót fogja meg.
5. A készüléket ne üzemeltesse hosszabbító vezetékről. Ha a hálózati vezeték túl rövid, akkor forduljon a márkaszervizhez vagy villanyszerelő szakemberhez a vezeték meghosszabbítása vagy a fali aljzat közelebb szerelése érdekében.

Klímaosztály

A klímaosztályra vonatkozó információkat a készülék típuscímkéje tartalmazza. Itt találja meg a helyiség hőmérsékletére vonatkozó adatokat, amelyek betartása esetén a készülék optimálisan tud működni.

Klímaosztály	Környezeti hőmérséklet
SN	+10°C és 32°C között
N	16°C és 32°C között
ST	16°C és 38°C között
T	16°C és 43°C között

**Megjegyzés:**

A készülék üzemeltetési hőmérsékletét a klímaosztálytól, a környezeti hőmérséklettől, az ajtónyitogatás gyakoriságától stb. függően kell beállítani. Ha a készüléket a klímaosztály paramétereitől eltérő körülmények között használja, akkor előfordulhat, hogy a készülék nem fog megfelelően hűteni.

Zár

Ha a készülék zárral van ellátva, akkor a kulcsot tárolja biztonságos helyen (nem a készülék közelében), hogy gyerekek véletlenül se zárhassák be egymást a készülékbe.

A készülék környezetbarát megsemmisítése előtt ezt a zárat ki kell szerelni, vagy úgy kell átalakítani, hogy a zárat és az ajtót ne lehessen bezárni.

R600a hűtőközeg

A hűtőberendezésekben használt R600a hűtőközeg és a ciklo-pentán szigetelőanyag környezetbarát, nem károsítja az ózonsztrófékat, és nagyon kis hatással van a globális felmelegedésre. A hűtőkörben található R600a hűtőközeg azonban gyúlékony. A hűtőközeg vagy a hűtőgázok szivárgásának az elkerülése érdekében fokozottan ügyeljen arra, hogy a készülék szállítása, telepítése vagy egyéb kezelése során ne sérüljön meg a hűtőkör. Ha a hűtőkör megsérül és hűtőközeg vagy hűtőgáz kiszivárog, akkor azonnal oltsa el a közelben található nyílt lángot és nyissa ki az ablakokat.

A hűtőközeget és hűtőgázt tartalmazó készülékeket környezetbarát és szakszerű módon kell ártalmatlanítani. A nem megfelelő ártalmatlanítás sérülést, gyulladást vagy más veszélyes helyzeteket okozhat. A hűtőközeget és a hűtőgázokat csak érvényes képesítéssel rendelkező, szakképzett személy kezelheti. Az ártalmatlanítás előtt győződjön meg arról, hogy a hűtőkör nem sérült-e meg.



A készülék részei

- 1 Termosztát
- 2 Hűtőszekrény polcok
- 3 Zöldségtároló fiók fedél
- 4 Gyümölcs / zöldségtároló fiók
- 5 Fagyasztó fiókok
- 6 Beállítható láb
- 7 Hűtőszekrény ajtó
- 8 Ajtópolcok
- 9 Mélyhűtő ajtó
- 10 Jégkocka készítő
- 11 Tojástartó

SZÁLLÍTÁS

A készüléket csak álló helyzetben szabad szállítani. A csomagolóanyag szállítás közben védi meg a készüléket az esetleges sérülésektől, ezért a csomagolóanyagot csak a telepítés helyén távolítsa el.

Amennyiben nincs más lehetőség, és a készüléket vízszintes állapotban kell szállítani, akkor a készüléket úgy kell elhelyezni, hogy az ajtó ne nyíljon ki és a készülék ne sérüljön meg. A telepítés helyén a készüléket függőleges helyzetbe kell állítani. A függőleges helyzetbe állítás után várjon legalább 4 órát a készülék elektromos hálózathoz való csatlakoztatásával, hogy a hűtőközeg stabilizálódjon a hűtőrendszerben. Ellenkező esetben a készülék meghibásodhat és veszélyes helyzeteket okozhat.

A készüléket mindig legalább két ember mozgassa. A készüléket a felső lapnál, az ajtónál stb. megfogva nem szabad emelni és mozgatni.

ELŐKÉSZÜLET A HASZNÁLATHOZ

A készülék kicsomagolása

A hűtőszekrényt óvatosan csomagolja ki, arról távolítsa el minden csomagolóanyagot, szalagot, címkét és fóliát.

A telepítési hely kiválasztása

A hűtőszekrényt amennyire szilárd, valamint vízszintes helyre, egy fali aljzathoz közel állítsa fel. A hűtőszekrényt ne állítsa fel szőnyegre vagy más puha alátételre, mert ez a készülék berezgését, illetve zavaró hangok keletkezését okozhatja.

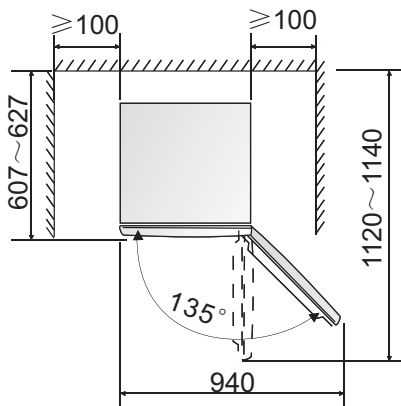
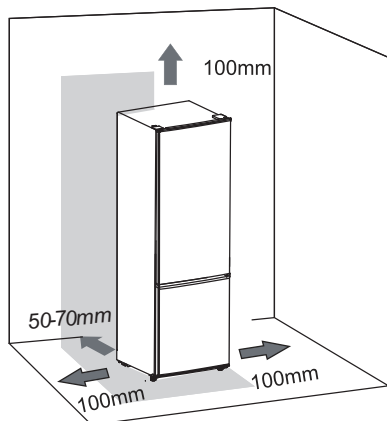
A készülék csak háztartásokban és fedett helyen használható. A készüléket szabadban nem szabad használni, és a készüléket nem érheti eső, hó, nedvesség vagy más időjárási hatás.

A hűtőszekrényt állítsa vízszintes helyzetbe. A beállításhoz használja az állítható lábakat. A lábak megfelelő ki- és becsavarásával a hűtőszekrényt vízszintes helyzetbe tudja állítani. A nem megfelelően beállított hűtőszekrény berezgezhet illetve hangosabban üzemelhet.

A hűtőközeg tömegét a készülék típuscímkéje tartalmazza.

A készülék körül biztosítani kell a levegő szabad áramlásához szükséges teret, oldalt, hátul és felül legalább 50 mm-t.

A készülék előtt hagyjon annyi szabad helyet, hogy az ajtókat kényelmesen ki tudja nyitni.



A hűtőszekrényt ne állítsa fel nyílt láng vagy más hőforrás közelébe (fűtés, gáztűzhely stb.). Ügyeljen arra, hogy a hűtőszekrényt ne érje közvetlen napsütés.

A hűtőszekrényt ne telepítse nedves és poros környezetbe. A szellőzőnyílásokat ne takarja le.

A hűtőszekrény zavarhatja a tévék és rádiók vételét. A hűtőszekrényt a tévétől és rádióktól telepítse távol.

Használatba vétel előtti tisztítás

Az első használatba vétel előtt, vagy ha a hűtőszekrényt régóta nem használta, akkor a belső felületeket és a tartozékokat (polcokat, fiókokat stb.) tiszta vízbe vagy ecetes vízbe mártott puha ruhával tisztítsa meg. A tisztításhoz ne használjon tisztítószeret, oldószeret, benzint stb., mert ezek maradandó sérüléseket okozhatnak a műanyag felületekben.

Stabilitási idő

A telepítés vagy tisztítás után várjon legalább 1 órát a készülék bekapcsolásával. Eközben a hűtőközeg egyenletesen kitölti a hűtőrendszert.

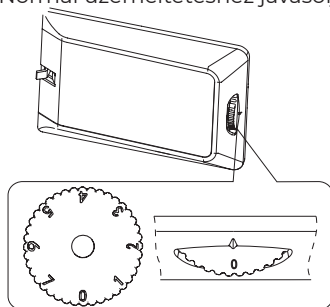
Csatlakoztatás az elektromos hálózathoz

A hálózati vezetéket csatlakoztassa egy szabályszerűen leföldelt fali aljzathoz. A készüléket le kell földelni. A készüléket csak a típuscímkén feltüntetett tápfeszültség értékeivel megegyező hálózathoz szabad csatlakoztatni. Szükség esetén forduljon az áramszolgáltatóhoz további információkért.

HASZNÁLAT

Hőmérséklet beállítása a hűtőszekrényben

A belső hőmérsékletet termosztát szabályozza. A termosztát elforgatásával lehet beállítani a kívánt hőmérsékletet, az „1” érték a legmagasabb, a „7” érték a legalacsonyabb hőmérsékletnek felel meg. Normál üzemeltetéshez javasoljuk 2 - 4 fokozat beállítását.



Ha a termosztátot „0” állásba fordítja, akkor a hűtőszekrény lekapcsol. Ha a termosztátot „7” állásba fordítja, akkor a kompresszor folyamatosan működik. Ezt a beállítást akkor javasoljuk használni, ha a készüléket először (vagy hosszabb üzemszünet után) kapcsolja be, vagy ha a fagyasztóba nagyobb mennyiségű fagyasztott alapanyagokat rakott be. A készülék hosszú idejű üzemeltetéséhez ne használja ezt a beállítást. A készülékben zúzmara (jéglerakódás) alakulhat ki, illetve az alapanyagok a hűtő részben is megfagyhatnak.



Megjegyzés:

A készülék nem fog megfelelően működni, ha túl meleg környezetben használja, vagy az ajtót gyakran nyitogatja.

A polcok beállítása

A hűtőszekrény belső oldalfalaiban található sínek segítségével a polcokat különböző magasságokba lehet beállítani. A polc hátsó végét emelje ki a horonyból és a polcot húzza ki. A polcot a kívánt magasságban, helyezze az egymással szemben található sínekre, majd a polcot tolja be a készülékbe.

Az ajtórekeszek beállítása

Az ajtórekeszek különböző magasságokba állíthatók be, hogy különböző magasságú tárgyakat (pl. palackokat, dobozokat vagy üvegeket stb.) lehessen tárolni az ajtóban. Az ajtó rekeszt óvatosan tolja felfelé és akassza ki az ajtóban található bordákról. Az ajtó rekeszt a kívánt magasságban húzza rá a bordákra.

Az élelmiszerek tárolása

A levegő a hűtőszekrényben cirkulál, emiatt a hűtőszekrény egyes részein eltérő a hőmérséklet. A különböző élelmiszereket és alapanyagokat ezért a hűtőszekrény különböző részein kell tárolni.

A hűtőszekrénybe csak eredeti csomagolásukban, vagy más, hűtésre és tárolásra alkalmas csomagolásban rakja be az élelmiszereket és italokat, így megelőzheti a szagok beszívódását és az élelmiszerek szennyeződését.

A hűtőszekrény polcokon tárolja a főtt ételeket, az italokat, a tojást, a tejtermékeket stb. A fiókban tárolja a zöldségeket és gyümölcsöket. A fagyasztóban tárolja a fagyaltot,

valamint a fagyasztott élelmiszereket és alapanyagokat stb.

Az élelmiszerek elhelyezése a hűtőszekrényben

Ajtópolicok	Italok, dzsemek, ízesítők (pl. mustár)
Gyümölcs / zöldségtároló fiók	Hűtőszekrényben tárolható gyümölcsök, zöldségek, zöldségfűszerek
Középső polc	Tejtermékek, tojás
Felső polc	Kész ételek, felvágottak, főzést nem igénylő alapanyagok stb.
Fagyasztó fiókok	Hosszú ideig tárolható alapanyagok. Alsó fiók: nyers húsök, szárnyas húsök, halak Középső fiók: mirelit zöldségek, hasábburgonya Felső fiók: fagylalt, mirelit gyümölcsök, fagyasztott péksütemények

Jégkocka készítő A jégkocka készítőbe tiszta vizet töltsön be és tegye a készülék fagyasztó részébe.

Élelmiszerek és alapanyagok vásárlása

- Ne pazaroljon. Készítsen bevásárlási listát és csak kisebb mennyiségű alapanyagot vásároljon.
- Mindig ellenőrizze le a fogyaszthatóság dátumát.
- Ellenőrizze le a csomagolást, azon nem lehet sérülés.
- Gyümölcsöket és zöldségeket illat, tapintás és szemrevételezés, valamint a frissesség ellenőrzése nélkül ne vásároljon. Csak hibamentes csomagolású mirelit termékeket vásároljon.
- A fagyasztott élelmiszereket vásárolja meg legutoljára, és ezeket hőszigetelő táskában tárolja a fagyasztóba rakás előtt.
- A vásárláskor még az üzletben ellenőrizze le a mirelit alapanyag csomagolásának a sérülésmentességét.
- Tartsa be az alapanyag maximális tömegére vonatkozó előírást (amit 24 órán belül fagyasztani lehet). Ezt az adatot általában a típuscímké is tartalmazza. A fagyasztás ideje alatt lehetőleg minél ritkábban nyissa ki az ajtót.
- A fagyasztott alapanyagok behelyezése előtt ellenőrizze le, hogy a készülék belső terében a hőmérséklet már elérte-e a kívánt fagyasztási hőmérsékletet (különösen akkor, ha mirelit termékeket kíván tárolni). Ellenkező esetben a behelyezett mirelit termék felolvadhat és megromolhat.
- A készülékbe helyezés előtt a meleg alapanyagokat hűtse le.
- A friss alapanyagokat tegye zacskókba. A zacskókon tüntesse fel az alapanyag nevét, tömegét és a tárolás kezdeti dátumát. A zacskó felülete legyen teljesen száraz.

Az élelmiszerek tárolása

- Rendszeresen ellenőrizze le és időben használja fel a tárolt élelmiszereket.
- A gyakran fogyasztott élelmiszereket a polc elejére tegye. Így rövidebb ideig lesz nyitva az ajtó.
- A kiolvasztott élelmiszereket ismét megfagyasztani tilos.
- A kiolvasztott húst főzze vagy süssse meg.

- A hűtőszekrényben ne tároljon túl sok élelmiszert. Az élelmiszerek között legyen szabad hely a levegő áramlásához.
- A meleg ételeket hűtse le, mielőtt a hűtőszekrénybe rakná.
- Ne nyitogassa túl gyakran az ajtót.
- Csak hűtőszekrényben tárolható élelmiszereket tároljon a hűtő részben. Bizonyos gyümölcsöket és zöldségeket nem kell a hűtőszekrényben tárolni (pl. citrusfélék, paradicsom stb.).
- A fagyasztóba csak eredeti csomagolásukban, vagy más, fagyasztásra és tárolásra alkalmas csomagolásban rakja be az élelmiszereket és italokat, így megelőzheti a szagok beszívódását és az élelmiszerek szennyeződését.
- Az alapanyagokat ne tegye túl közel a hátsó falhoz. A túl sok vizet tartalmazó alapanyagok hozzáfagyhatnak a hátsó falhoz.
- A mélyhűtőbe ne tegyen folyadékokat tartalmazó üvegpalackokat vagy fém dobozokat. A palack vagy doboz tartalmának a térfogata a fagyasztás közben nagyobb lesz, ami a palack vagy doboz szétrobbanásához vezethet.

TISZTÍTÁS ÉS KARBANTARTÁS

A hűtőszekrényt tartsa tisztán. Az ételmaradványok a hűtőszekrényben kellemetlen szagokat képeznek. A polcokat és fiókokat havonta legalább egyszer törölje meg.



Figyelmeztetés!

A készüléket és a hálózati vezetéket vízbe vagy más folyadékba mártani tilos.

Rendszeres karbantartás

A hűtőszekrényből (a fagyasztó kivételével) vegyen ki minden tárolt élelmiszert, majd vegye ki a polcokat és fiókokat. A polcokat és fiókokat mosogatószeres meleg vízben kézzel mosogassa el, majd öblítse le, végül szárítsa meg.

A hűtőszekrény belső részét mosogatószeres vízbe mártott puha ruhával törölje meg. Majd törölje szárazra.

Az ajtószigetelést és az ajtó belső felét mosogatószeres meleg vízbe mártott és jól kicsavart puha ruhával törölje meg.

A hűtőszekrény külső felületét enyhén benedvesített (szükség esetén mosogatószeres vízbe mártott) ruhával törölje meg.

A hűtőszekrény hátsó részéről a port távolítsa el. A por és egyéb szennyeződések eltávolításához használhatja a porszívót is (kefés szívófejjel és kis szívási teljesítménnyel).

Az elfolyó nyílást (amely a készülék hátsó falán található) rendszeresen tisztítsa meg (vékony és hosszú tárggyal, pl. hajlékony műanyag dróttal), ellenkező esetben a víz a hűtőszekrényben gyűlik össze.



Figyelmeztetés!

A tisztításhoz ne használjon durva tisztítószereseket, oldó- és hígítószereket, benzint stb. A készüléket csak puha ruhával vagy szivaccsal tisztítsa. A készüléket drótszivaccsal, vagy más hasonló eszközzel ne tisztítsa, ezek maradandó sérülést okozhatnak a felületekben.



Figyelmeztetés!

A hűtőszekrényt gőzt képző készülékekkel tisztítani tilos.

Leolvasztás

A zúzmarát (jéglerakódást) rendszeresen el kell távolítani a hűtőszekrényből, mert negatív hatással van a készülék energiahatékony működésére és a belső hőmérsékletre. A leolvasztást a következő módon hajtsa végre:

1. Kapcsolja le a hűtőszekrényt. A termosztát gombot fordítsa „0” állásba és a csatlakozódugót is húzza ki a fali aljzatból.
2. A fiókokat húzza ki, az élelmiszereket újságba és ruhába csavarja be, majd tegye hideg helyre.
3. Az ajtókat hagyja nyitva és a készülékbe tegyen olyan edényt, amely a kiolvadó jeget (vizet) felfogja.
4. A leolvasztás meggyorsítható, ha a belső térbe forró vizet tartalmazó edényt is berak.
5. A fellazult jéglerakódásokat műanyag kaparóval lehet eltávolítani.
6. A leolvasztott hűtőszekrény belső részét törölje szárazra (tisztá ruhával).
7. A csatlakozódugót dugja a fali aljzatba és a termosztáttal állítsa be a kívánt hőmérsékletet. Javasoljuk, hogy a bekapcsolás után 12 óra hosszat a „7”-es termosztát fokozatot állítsa be.
8. Az élelmiszereket a fiókokkal együtt tegye vissza a készülékbe.



Figyelmeztetés!

A leolvasztást nem szabad fém kaparókkal, hősugárzóval, hajszárítóval stb. gyorsítani.

A belső világítás cseréje



Figyelmeztetés!

A meghibásodott lámpát a készülék használója nem cserélheti ki. Forduljon a márkaszervizhez.

A LED világítás szakszerűtlen cseréje áramütést vagy a készülék meghibásodását okozhatja. A világítás cseréjét bízva villanyszerelő szakemberre. Forduljon a márkaszervizhez.

1. A LED világítás cseréje előtt a készüléket kapcsolja le (a termosztát gombot fordítsa „0” állásba) és a hálózati vezetékét is húzza ki a fali aljzatból.
2. A LED világítás adatai: 220-240 V~, max. 1,5 W.
3. Nyomja meg a burát és tolja hátra.
4. Csavarozza ki a csavart és vegye ki a LED fénycső tartót. Vegye ki a LED fénycsövet a tartóból és tegyen be egy új fénycsövet.
5. A tartót tegye vissza a helyére és csavarral rögzítse, majd a burát húzza a fénycsőre.
6. A hűtőszekrényt ismét kapcsolja be.

A hűtőszekrény hosszabb ideig tartó kikapcsolása

Ha a készüléket hosszabb ideig nem fogja használni, akkor a hálózati csatlakozódugót húzza ki a fali aljzatból. A fentiek szerint tisztítsa meg a készülék belső részét és külső felületeit, valamint a tartozékokat.

Az ajtót hagyja nyitva, hogy ne legyen szagos a készülék belseje.

PROBLÉMAMEGOLDÁS

Probléma	Ok	Megoldás
A hűtőszekrény nem hűt.	A termosztát „0” állásban áll.	A termosztát gombbal állítsa be a kívánt hőmérsékletet.
	A hálózati vezeték nincs a fali aljzathoz csatlakoztatva.	Dugja a csatlakozódugót ütközésig a fali aljzatba.
	A kismegszakító lekapcsolt.	Ellenőrizze le a kismegszakítót és az áramvédő kapcsolót.
	A fali aljzat sérült.	Ezzel a kérésével forduljon villanyszerelő szakemberhez.
A hűtőszekrény túl erősen hűt (abban megfagy az élelmiszer).	Túl alacsony hűtési hőmérséklet (vagy a gyors fagyasztás funkció) van beállítva.	Állítson be magasabb hőmérsékletet (kapcsolja ki a gyors fagyasztás funkciót).
A hűtőszekrény nem hűt/fagyaszt megfelelő módon.	Túl magas hőmérsékletet állított be.	Csökkentse a beállított hőmérsékletet.
	Az ajtó sokáig volt nyitva.	Az ajtót te tartsa sokáig nyitva.
	A hűtőszekrényben túl sok az élelmiszer, vagy meleg élelmiszert rakott be.	Ellenőrizze le a berakott élelmiszereket. A meleg ételeket hűtse le, mielőtt a hűtőszekrénybe rakná.
	A hűtőszekrényt közvetlenül sűti a nap, vagy a közelben valamilyen hőforrás üzemel.	A hűtőszekrényt állítsa másik helyre.
A hűtőszekrény furcsa hangot ad ki.	A hűtőszekrény nem áll vízszintes helyzetben.	A lábakkal állítsa be a hűtőszekrényt.
	A készülék hozzáér a falhoz vagy valamilyen tárgyhoz.	A hűtőszekrényt húzza el a faltól (vagy tárgytól).
	A hűtőszekrény része (pl. a hátsó csövezés) hozzáér a hűtőszekrényhez vagy a falhoz.	Állítsa be távolabb az egymáshoz ért részeket, a készüléket húzza el a faltól.
	A készülék üzemeltetése közben az alábbi zajok normális zajnak számítanak: üzemelő kompresszor zaj, bugyogó víz hang. pattogó hang az automatikus kiolvasztás közben, kattanó hang a kompresszor bekapcsolásakor.	

Probléma	Ok	Megoldás
A padlón víz jelent meg.	Az elfolyó nyílás eldugult.	A nyílást tisztítsa meg.
A hűtőszekrényben kellemetlen szag van.	A hűtőszekrény belseje koszos.	A hűtőszekrényt tisztítsa meg.
	Az erős illatú élelmiszereket nem vagy rosszul csomagolta be.	Az ilyen élelmiszereket alaposan csomagolja be, vagy tegye légmentesen lezárható dobozba.
A kompresszor folyamatosan működik.	Ez normális jelenség, különösen a következő esetekben: túl alacsony hűtési hőmérsékletet állított be, túl sok meleg élelmiszert rakott a hűtőszekrénybe, a környezeti hőmérséklet túl magas, az ajtó nincs becsukva vagy túl gyakran nyitogatja az ajtót, a készüléket nem régen telepítette, vagy hosszabb ideig nem használta.	
Az ajtót nem lehet becsukni.	A készülék nincs vízszintbe állítva.	A készüléket állítsa vízszintbe.
	Valamilyen élelmiszer vagy edény miatt nem lehet az ajtót becsukni.	Rendezze el a hűtőszekrényben az élelmiszereket és az edényeket.
	Ha a készülék felső részét 10 - 15 mm-rel hátrafelé állítja be, akkor az ajtó magától becsukódik.	
A LED lámpa nem világít.	A LED fénycső kiégett.	Cserélje ki a LED fénycsövet.

Ha a problémát a táblázatban leírtak szerint nem tudta megszüntetni, akkor a készüléket kapcsolja le és húzza ki a hálózati vezetékét a fali aljzatból, majd forduljon a vevőszolgálatunkhoz vagy a márkaszervizhez.

AZ AJTÓNYITÁS IRÁNYÁNAK A MEGVÁLTOZTATÁSA

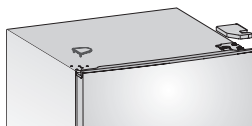
Javasoljuk, hogy az ajtónyitás irányának a megfordítását két személy hajtsa végre. Készítse elő a következő szerszámokat: lapos csavarhúzó, keres és villáskulcs készlet. A hűtőszekrényt kissé döntse meg hátrafelé. A hűtőszekrényt támassza a falnak, és tegyen be a készülék alá egy vastagabb deszkát, hogy ne forduljon vissza függőleges helyzetbe.

A leszerelt alkatrészeket őrizze meg, mert azokat vissza kell majd szerelni.

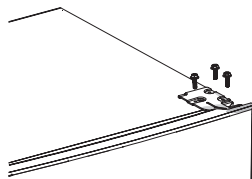
A hűtőszekrényt ne fektesse le. A hűtőrendszer meghibásodhat.

1. A készüléket kapcsolja le és az elektromos hálózatról is válassza le. Az ajtót nyissa ki és az ajtópolcokat vegye ki. Az ajtót csukja be.

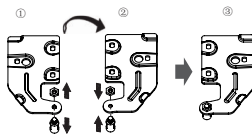
2. Vegye le a felső pánt burkolatot, illetve a másik oldalon a menetes furatokat takaró fedelet (lapos csavarhúzóval, vagy spatulával).



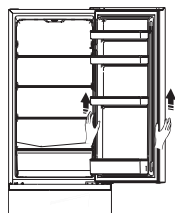
3. A felső pántból csavarozza ki a csavarokat és a pántot vegye le. Szükség esetén az ajtót az alsó részénél fogja meg.



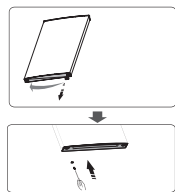
4. A felső pánt tengelyét szerelje át a másik oldalra és jól húzza meg. Tegye félre.



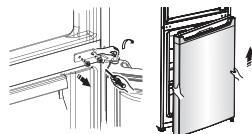
5. A hűtőszekrény ajtót felfelé megemelve vegye le a középső pánttól. Ügyeljen arra, hogy az alátétet (amely az ajtó alsó részénél található), ne veszítse el. Tegye félre.



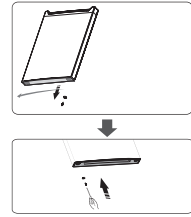
6. A hűtőszekrény ajtót puha ruhára fektesse le. Csavarozza ki a csavart és vegye ki a dugót. Szerelje át a másik oldalra és a csavart húzza meg.



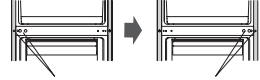
7. A középső pánt csavarjait csavarozza ki és vegye le a pántot, majd emelje le a fagyasztó ajtaját. Ügyeljen arra, hogy az alátétet (amely az ajtó alsó részénél található), ne veszítse el. Tegye félre.



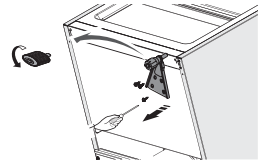
8. A fagyasztó ajtaját puha ruhára fektesse le. Csavarozza ki a csavart és vegye ki a dugót. Szerelje át a másik oldalra és a csavart húzza meg.



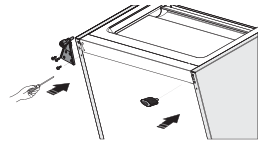
9. A középső pántfuratokat eltakaró lemezt szerelje át a bal oldalról a jobb oldalra.



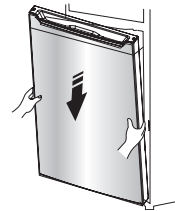
10. A hűtőszekrényt óvatosan döntse meg hátra és az állítható lábakat szerelje le. Az állítható lábakat és a pánt lemezt tegye át a másik oldalra.



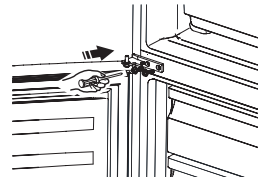
11. A pánt lemezt a bal oldalra, az állítható lábat a jobb oldalra szerelje fel. Csavarokkal rögzítse.



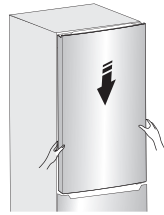
12. Állítsa a lábakra a hűtőszekrényt és az alsó pántra húzza rá a fagyasztó ajtaját. Ügyeljen arra, hogy az alsó pánt tengelye az ajtó furatában legyen.



13. A középső pántot 180°-kal fordítsa át és szerelje fel a másik oldalra. Ügyeljen arra, hogy a középső pánt tengelye a fagyasztó ajtajának a furatában legyen. A csavarokat húzza meg.



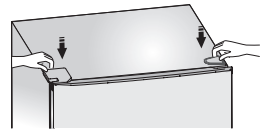
14. Tegye fel a hűtőszekrény ajtót. Ügyeljen arra, hogy a hűtőszekrény ajtó alsó furata a középső pánt tengelyén legyen, az ajtót állítsa be a hűtőszekrény szélével párhuzamosan.



15. A felső pántot úgy szerelje fel, hogy a tengely az ajtó furatában legyen. Szükség esetén a hűtőszekrény ajtót támassza alá. A pántot rögzítő csavarokat húzza meg.



16. Szerelje fel a felső pánt burkolatot és a menetes furatokat takaró fedelet.



17. Az ajtót nyissa ki és az ajtópolcokat tegye be.



Megjegyzés:

mindkét ajtón ellenőrizze le az ajtótmítések megfelelő felülését a hűtőszekrény elülső peremére. Ha az ajtók nincsenek helyesen beállítva, akkor a tömítés nem fog megfelelő módon tömíteni (nem lesz hatékony a hűtés).

Termékinformációs adatlap

A BIZOTTSÁG (EU) 2019/2016 FELHATALMAZÁSON ALAPULÓ RENDELETE a hűtőkészülékek energiacímkezéséről

A szállító neve vagy védjegye: Siguro

A szállító címe: PL - SIGURO, Jankovcova 1522/53 17000 Praha Holešovice Česká republika

Modellazonosító: SGR-BF-N140Y

A hűtőkészülék típusa:

Alacsony zajkibocsátású készülék:	Nem	Kialakítás típusa:	szabadon álló
Bortároló készülék:	Nem	Egyéb hűtőkészülék:	Nem

Általános termékparaméterek:

Paraméter		Érték	Paraméter	Érték
Teljes méret (milliméter)	Magasság	1 800	Teljes térfogat (dm ³ vagy liter)	269
	Szélesség	550		
	Mélység	558		
EEL		80	Energiahatékonysági osztály	D
Levegőben terjedő akusztikus zajkibocsátás [1 pW-ra vonatkoztatott dB(A)]		39	A levegőben terjedő akusztikus zajkibocsátás osztálya	C
Éves energiafogyasztás (kWh/év)		168	Klímaosztály:	mérsékelt, szubtrópusi
Az a környezeti hőmérsékleti minimum (°C), amelyre a hűtőkészülék alkalmas		16	Az a környezeti hőmérsékleti maximum (°C), amelyre a hűtőkészülék alkalmas	38
Téli üzemmód		Nem		

Rekeszparaméterek:

Rekesztípus	Rekeszparaméterek és -értékek			
	Rekesztérfogat (dm ³ vagy liter)	Az élelmiszerek optimális tárolására szolgáló ajánlott hőmérséklet-beállítás (°C) Ezek a beállítások nem lehetnek ellen-	Fagyasztókapacitás (kg/24 óra)	Defrosting type (auto-defrost=A, manual defrost=M)

			tmondás- ban a IV. melléklet 3. táblázatában előírt tárolási fel- tételekkel.		
Kamra	Nem	-	-	-	-
Bortároló	Nem	-	-	-	-
Pincerekesz	Nem	-	-	-	-
Frissentartó	Igen	198,0	-	-	M
Hűtőrekesz	Nem	-	-	-	-
0-csillagos vagy jégké- szítés	Nem	-	-	-	-
1-csillagos	Nem	-	-	-	-
2-csillagos	Nem	-	-	-	-
3-csillagos	Nem	-	-	-	-
4-csillagos	Igen	71,0	-	-	M
2-csillagos rész	Nem	-	-	-	-
Változtatható hőmér- sékletű rekesz	-	-	-	-	-
4-csillagos rekeszek esetében					
Gyorsfagyasztási lehetőség			Nem		
A fényforrás paraméterei:					
A fényforrás típusa			LED		
Energiahatékonysági osztály			-		
A gyártó által vállalt jótállás minimális időtartama: 36 hónap					
Kiegészítő információk:					
Internetes hivatkozás a gyártó honlapjára, ahol az (EU) 2019/2019 bizottsági rendelet mellékletének 4. a) pontjában foglalt információ megtalálható: www.siguro.cz					

Termékinformációs adatlap

A BIZOTTSÁG (EU) 2019/2016 FELHATALMAZÁSON ALAPULÓ RENDELETE a hűtőkészülékek energiacímkezéséről

A szállító neve vagy védjegye: Siguro

A szállító címe: PL - SIGURO, Jankovcova 1522/53 17000 Praha Holešovice Česká republika

Modellazonosító: SGR-BF-N140S

A hűtőkészülék típusa:

Alacsony zajkibocsátású készülék:	Nem	Kialakítás típusa:	szabadon álló
Bortároló készülék:	Nem	Egyéb hűtőkészülék:	Nem

Általános termékparaméterek:

Paraméter		Érték	Paraméter	Érték
Teljes méret (milliméter)	Magasság	1 800	Teljes térfogat (dm ³ vagy liter)	269
	Szélesség	550		
	Mélység	558		
EEl		80	Energiahatékonysági osztály	D
Levegőben terjedő akusztikus zajkibocsátás [1 pW-ra vonatkoztatott dB(A)]		39	A levegőben terjedő akusztikus zajkibocsátás osztálya	C
Éves energiafogyasztás (kWh/év)		168	Klímaosztály:	mérsékelt, szubtrópusi
Az a környezeti hőmérsékleti minimum (°C), amelyre a hűtőkészülék alkalmas		16	Az a környezeti hőmérsékleti maximum (°C), amelyre a hűtőkészülék alkalmas	38
Téli üzemmód		Nem		

Rekeszparaméterek:

Rekesztípus	Rekeszparaméterek és -értékek			
	Rekesztérfogat (dm ³ vagy liter)	Az élelmiszerek optimális tárolására szolgáló ajánlott hőmérséklet-beállítás (°C) Ezek a beállítások nem lehetnek ellen-	Fagyasztókapacitás (kg/24 óra)	Defrosting type (auto-defrost=A, manual defrost=M)

			tmondás- ban a IV. melléklet 3. táblázatában előírt tárolási fel- tételekkel.		
Kamra	Nem	-	-	-	-
Bortároló	Nem	-	-	-	-
Pincerekesz	Nem	-	-	-	-
Frissentartó	Igen	198,0	-	-	M
Hűtőrekesz	Nem	-	-	-	-
0-csillagos vagy jégké- szítés	Nem	-	-	-	-
1-csillagos	Nem	-	-	-	-
2-csillagos	Nem	-	-	-	-
3-csillagos	Nem	-	-	-	-
4-csillagos	Igen	71,0	-	-	M
2-csillagos rész	Nem	-	-	-	-
Változtatható hőmér- sékletű rekesz	-	-	-	-	-
4-csillagos rekeszek esetében					
Gyorsfagyasztási lehetőség			Nem		
A fényforrás paraméterei:					
A fényforrás típusa			LED		
Energiahatékonysági osztály			-		
A gyártó által vállalt jótállás minimális időtartama: 36 hónap					
Kiegészítő információk:					
Internetes hivatkozás a gyártó honlapjára, ahol az (EU) 2019/2019 bizottsági rendelet mellékletének 4. a) pontjában foglalt információ megtalálható: www.siguro.cz					

ENGLISH

The use of the WEEE Symbol indicates that this product should not be treated as household waste. By ensuring this product is disposed of correctly, you will help protect the environment. For more detailed information about the recycling of this product, please contact your local authority, your household waste disposal service provider, or the shop where you purchased the item.

This product meets all of the related basic EU regulation requirements. The EU declaration of conformity is available on www.alzashop.com/doc.

This product sold in the European Union meet the requirements of Directive 2011/65/EU on the restriction of the use of certain hazardous substances in electrical and electronic equipment (RoHS).

DEUTSCH

Das WEEE-Symbol weist darauf hin, dass dieses Produkt nicht als normaler Haushaltsabfall behandelt werden darf. Indem Sie sicherstellen, dass dieses Produkt ordnungsgemäß entsorgt wird, tragen Sie zum Schutz der Umwelt bei. Für detailliertere Informationen zum Recycling dieses Produkts wenden Sie sich bitte an Ihre lokale Behörde, Ihren Hausmüllentsorgungsdienstleister oder das Geschäft, in dem Sie das Produkt erworben haben. Dieses Produkt erfüllt alle relevanten EU-Vorschriften. Die EU-Konformitätserklärung ist unter www.alzashop.com/DoC einsehbar.

Dieses in der Europäischen Union verkaufte Produkt erfüllt die Anforderungen der EU Richtlinie 2011/65/EU zur Beschränkung der Verwendung bestimmter gefährlicher Stoffe in Elektronikgeräten (RoHS).

ČESKY

Použití symbolu WEEE označuje, že tento výrobek nesmí být považován za domovní odpad. Zajištěním správné likvidace tohoto výrobku pomůžete chránit životní prostředí. Pro podrobnější informace o recyklaci tohoto výrobku se prosím obraťte na místní úřad zabývající se likvidací domovního odpadu, poskytovatele služby zabývající se likvidací domovního odpadu

nebo obchodu, kde jste produkt zakoupili. Tento výrobek splňuje veškeré základní požadavky směrnic EU. EU prohlášení o shodě je k dispozici na www.alzashop.com/doc.

Tento výrobek prodáváný v Evropské unii splňuje požadavky směrnice 2011/65/EU omezující používání některých nebezpečných látek v elektrických a elektronických zařízeních (RoHS).

SLOVENSKY

Použitie symbolu WEEE označuje, že tento výrobok sa nesmie likvidovať s komunálnym odpadom. Ak výrobok správne zlikvidujete, prispějete k ochrane životného prostredia. Podrobnejšie informácie o recyklácii výrobku získate na miestnom zastupiteľstve, u poskytovateľov služieb likvidácie domového odpadu alebo v predajni, v ktorej ste výrobok zakúpili.

Tento výrobok spĺňa všetky základné požiadavky smerníc EÚ. EÚ Vyhlásenie o zhode je k dispozícii na www.alzashop.com/doc.

Tento výrobok, predávaný v Európskej únii, spĺňa požiadavky smernice 2011/65/EU obmedzujúce používanie niektorých nebezpečných látok v elektrických a elektronických zariadeniach (RoHS).

MAGYAR

A WEEE szimbólum azt jelzi, hogy ez a termék nem kezelhető háztartási hulladékként. A termék helyes megsemmisítésének biztonságával segít védeni a környezetet. A termék újrahasznosításával kapcsolatos részletesebb információkért, kérjük, forduljon a helyi hatóságokhoz, a háztartási hulladékkezelő szolgáltatóhoz vagy a bolthoz, ahol a terméket megvásárolta. Ez a termék megfelel az összes rá vonatkozó EU-s szabályozási követelménynek. Az EU megfeleléségi nyilatkozata a www.alzashop.com/DoC címen érhető el. Az Európai Unióban értékesített termékek megfelelnek az elektromos és elektronikai berendezésekben való egyes veszélyes anyagok használatának korlátozására vonatkozó 2011/65/EU (RoHS) irányelvnek.

R20240116



SIGURO

Alza.cz a.s., Jankovcova 1522/53, 170 00 Prague 7, Czech Republic
© 2023 Alza.cz a.s. All Rights Reserved.

www.siguro.net