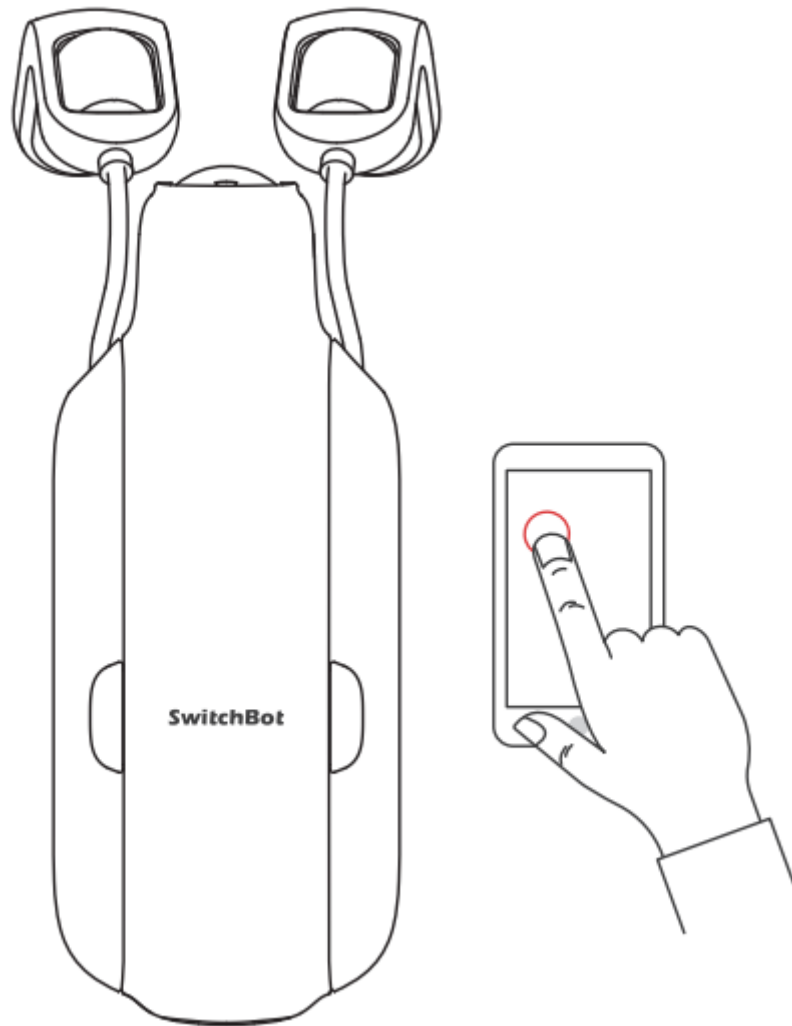


SwitchBot



Curtain 3 Rod

User Manual • Uživatelský manuál •
Uživatelský manuál • Használati utasítás •
Benutzerhandbuch

| | |
|-------------------|----------|
| English | 3 - 24 |
| Čeština | 25 - 46 |
| Slovenčina | 47 - 68 |
| Magyar | 69 - 90 |
| Deutsch | 91 - 112 |

Dear customer,

Thank you for purchasing our product. Please read the following instructions carefully before first use and keep this user manual for future reference. Pay particular attention to the safety instructions. If you have any questions or comments about the device, please contact the customer line.

✉ www.alza.co.uk/kontakt

☎ +44 (0)203 514 4411

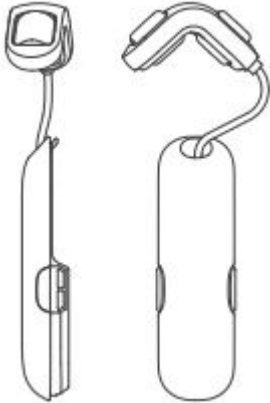
Importer Alza.cz a.s., Jankovcova 1522/53, Holešovice, 170 00 Prague 7, www.alza.cz

Please read this user manual carefully before using the device.

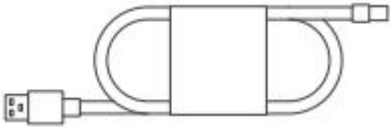
Package Contents



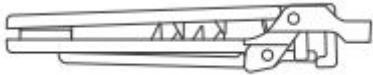
Main Unit



Hook Pair (Rod)



Type-C Cable



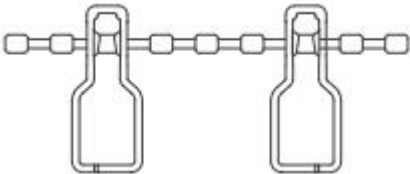
Clip



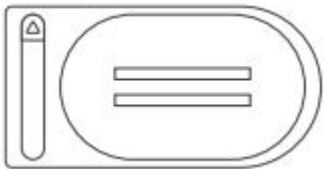
Reset Tool



Wet Wipe

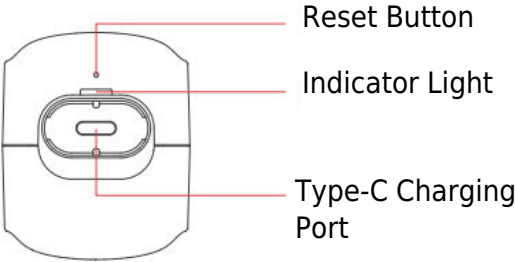
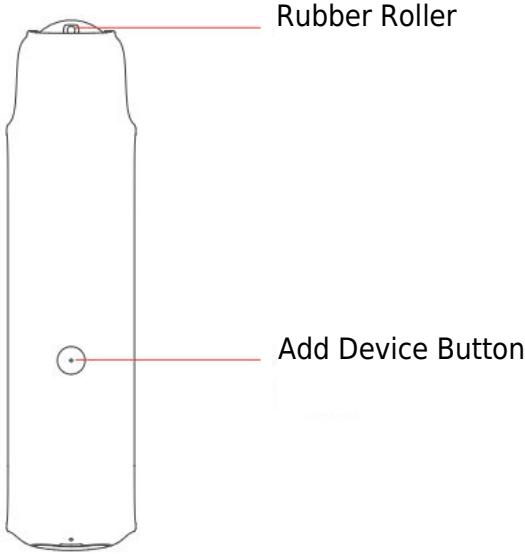
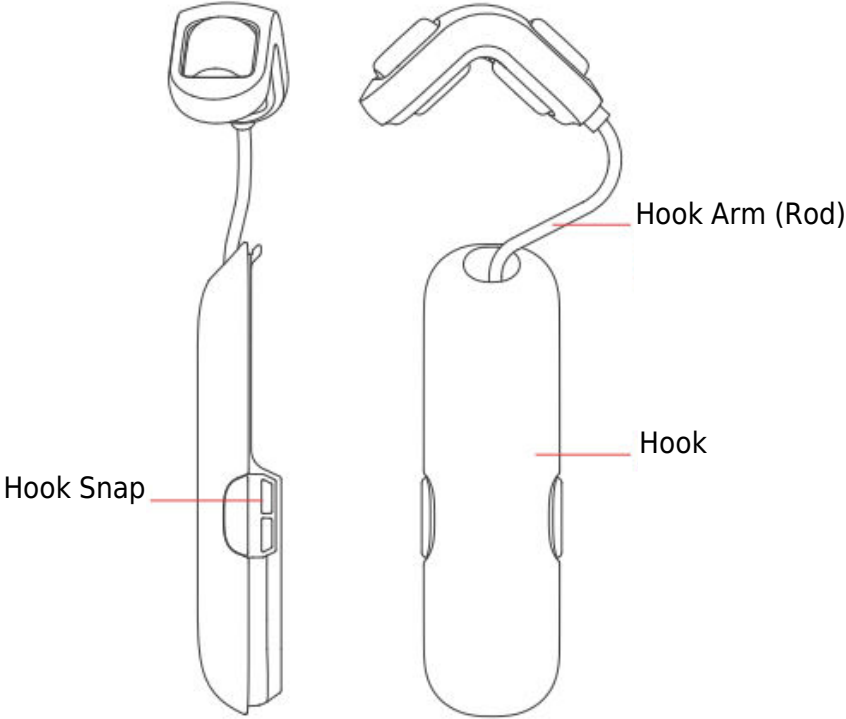


Beads Fixer (beads installed)



Magnet Attachment (for positioning)

List of Components



Preparation

- A smartphone or tablet using Bluetooth 4.2 or later.
- The latest version of our app, downloadable via the Apple App Store or Google Play Store.
- A Switch Bot account, you can register via our app or sign in to your account directly if you already have one.
- A fully charged SwitchBot Curtain 3.

Please note: If you intend to use Cloud Service for voice control, you will need a SwitchBot Hub (sold separately).



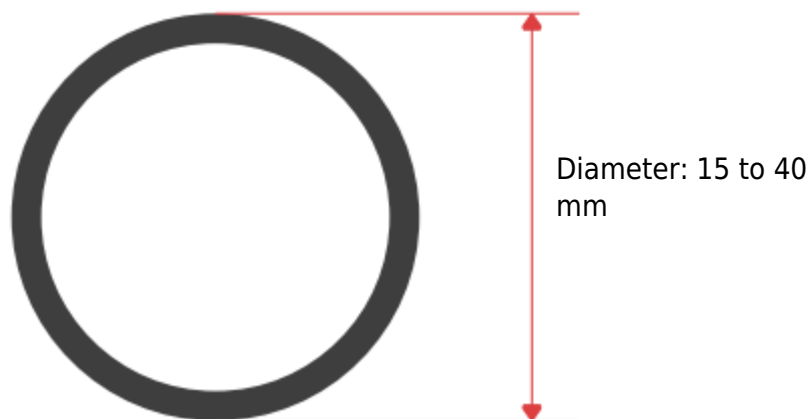
iOS 11.0+



Android OS 5.0+

Check your Curtain Track

SwitchBot Curtain 3 Rod supports curtain track with the following measurements:



If SwitchBot Curtain 3 Rod does not fit your curtain track, please contact our customer support at support@switch-bot.com.

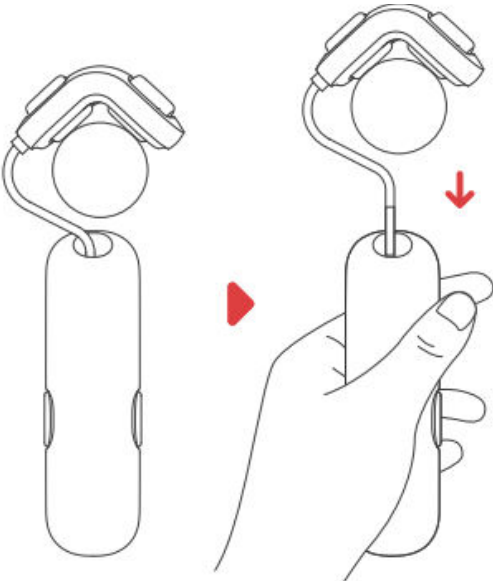
Installation

Step 1: Add your SwitchBot Curtain 3 Rod to our app.

Open our app and sign in to your account. Tap “+” at the top right-hand corner of the home page, find the Curtain icon, and select. Then follow the instructions to add your SwitchBot Curtain 3 Rod.

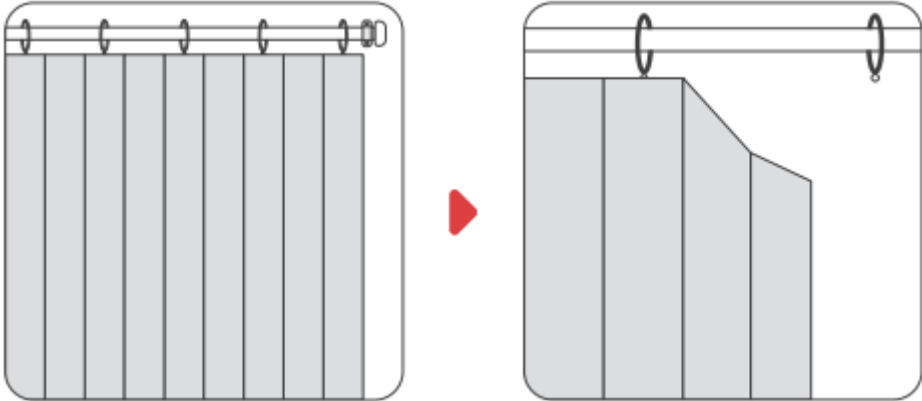
Step 2: Install SwitchBot Curtain 3 Rod onto your curtain track.

Stretchable Hook Arm

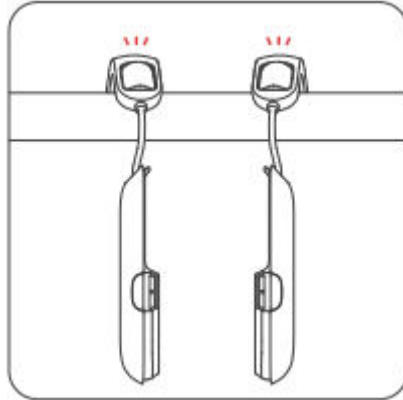


Ring Top Curtains

1. Fully close your curtain and remove the first curtain hook from the ring.

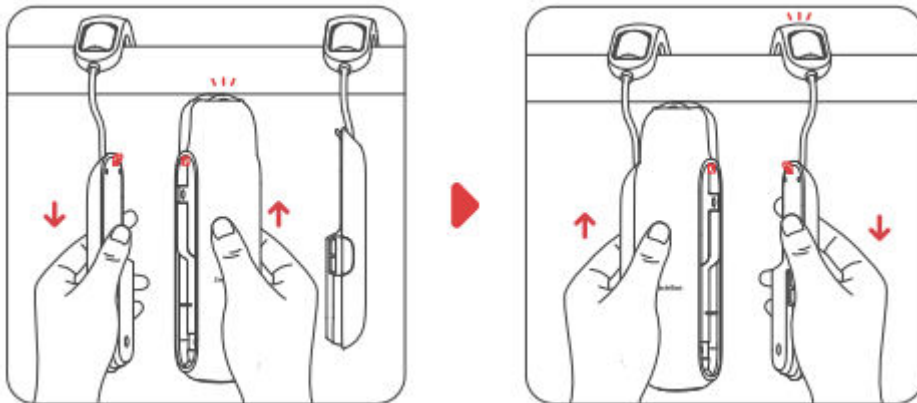


2. Install two detachable Hooks one by one onto your curtain rod between the first and second ring.

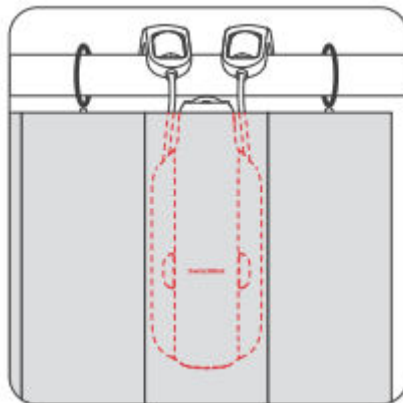


3. Pull one detachable Hook downwards with one hand and hold the Main Unit (with the SwitchBot logo on it facing indoors) upwards against the rod with another hand. Align the snaps and attach the Main Unit to the Hook. You will hear a clicking sound when firmly attached. Then attach another Hook to the Main Unit.

Please note: do not apply excessive force when pulling the Hook downwards without supporting your rod, or your rod may break or detach from your wall.

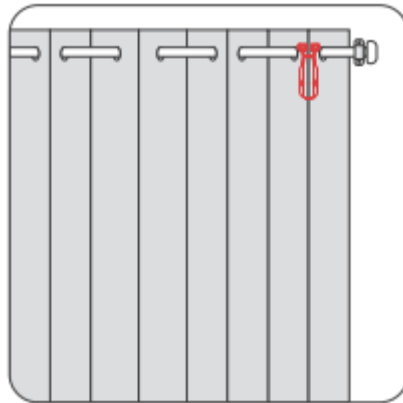


4. Adjust your SwitchBot Curtain 3 Rod to keep it perpendicular to the ground. Hang your curtain back in place and hide SwitchBot Curtain 3 Rod behind your curtain fabric.

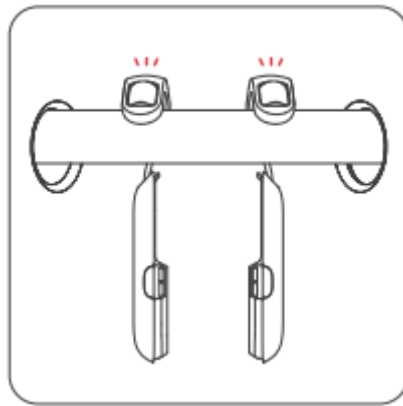


Grommet Curtains

1. Install your SwitchBot Curtain 3 Rod at the back of this type of curtain.

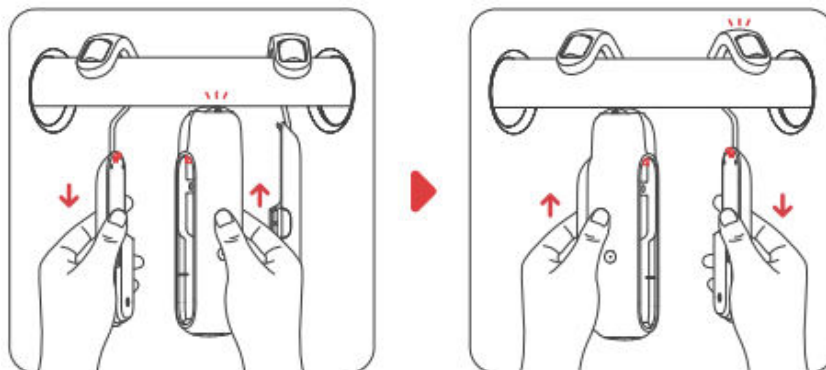


2. Install two detachable Hooks one by one onto your curtain rod between the first and the second ring.

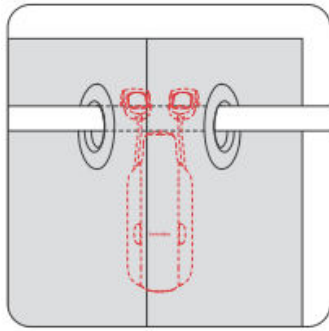


3. Pull one detachable Hook downwards with one hand, and hold the Main Unit (with the SwitchBot logo on it facing indoors) upwards against the rod with another hand. Align the snaps and attach the Main Unit to the Hook. You will hear a clicking sound when firmly attached. Then attach another Hook to the Main Unit.

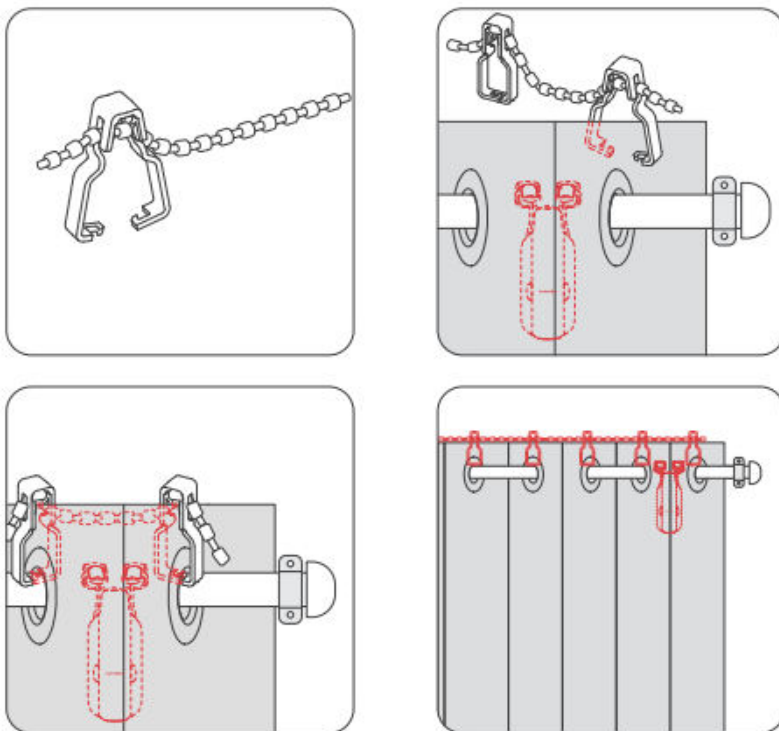
Please note: do not apply excessive force when pulling the Hook downwards without supporting your rod, or your rod may break or detach from your wall.



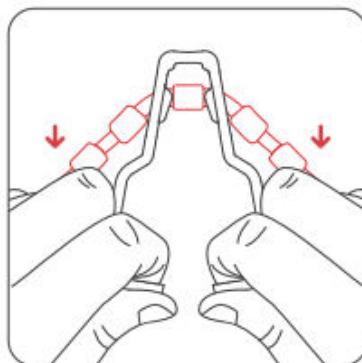
4. Adjust your SwitchBot Curtain 3 Rod to keep it perpendicular to the ground.



5. Refer to the picture below to install the bead fixer (with beads installed) at the top of the grommets. Make sure that you clip them to the grommets firmly. Finish by cutting the remaining beads or put it behind your curtains.

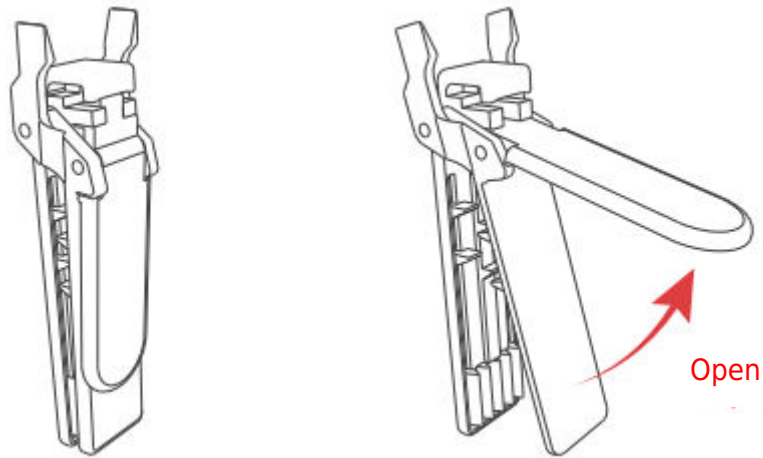


If the distance between the clips does not fit your curtains, you can adjust them as shown below.

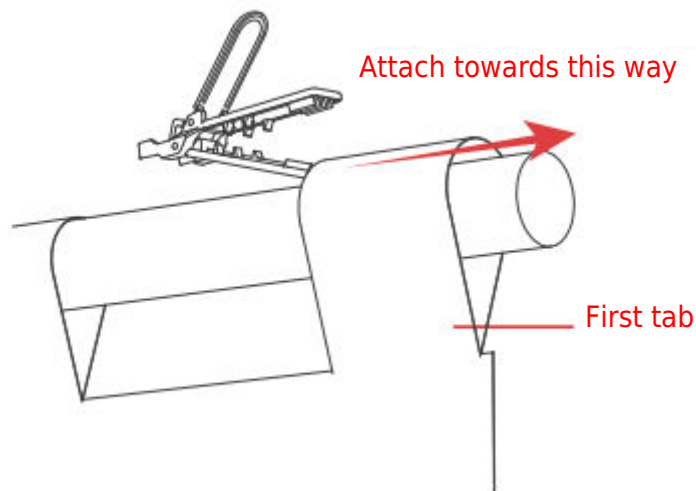


Tab Top Curtains

Use the clips provided to help install your SwitchBot Curtain 3 Rod on tab top curtains.

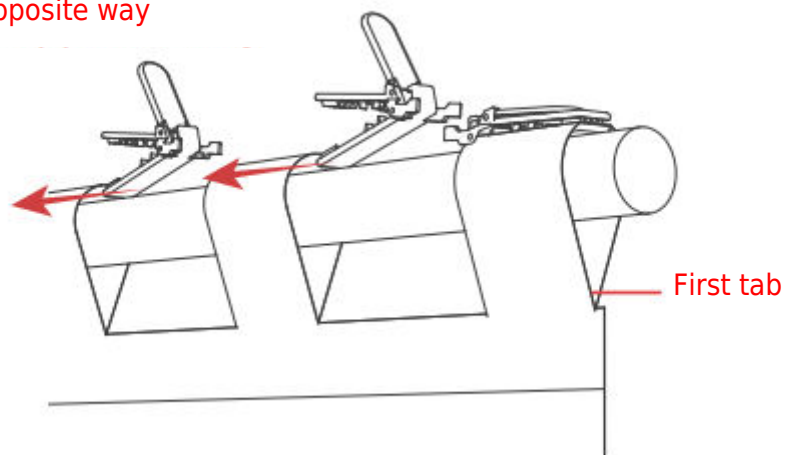


Close your curtain, attach a clip on the first tab.

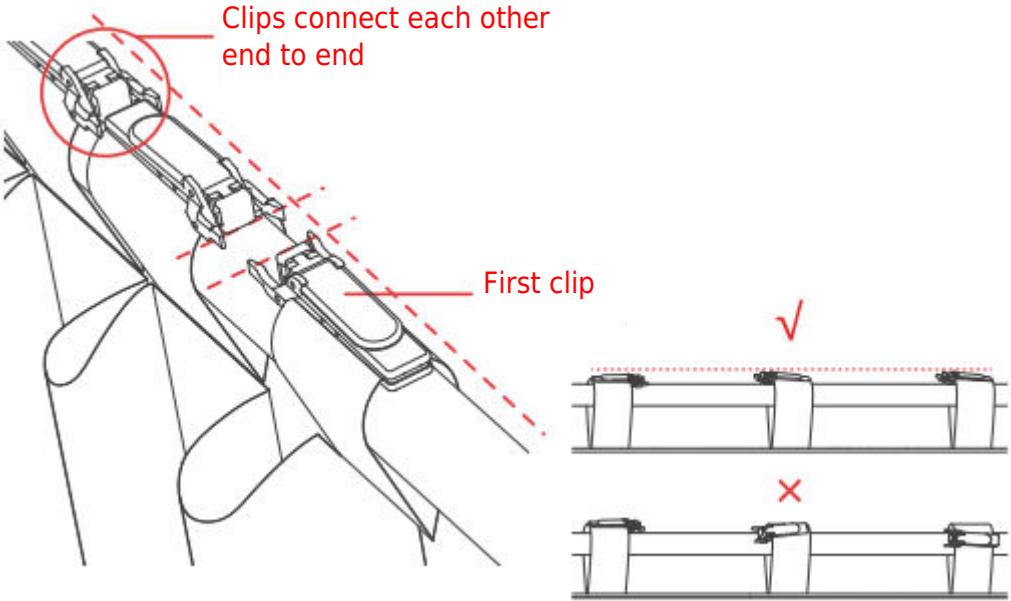


Attach the remaining clips on other tabs as shown in the picture.

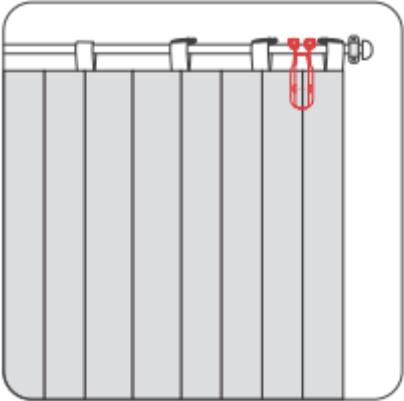
The opposite way



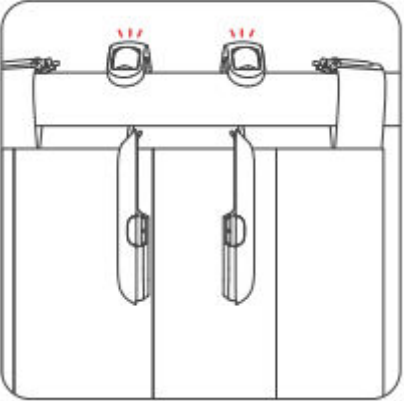
Beware that all other clips should be attached the opposite way against the first clip, make sure all the clips are sitting on the top of the rod and are aligned with each other.



- 1. Install your SwitchBot Curtain 3 Rod at the back of this type of curtain.

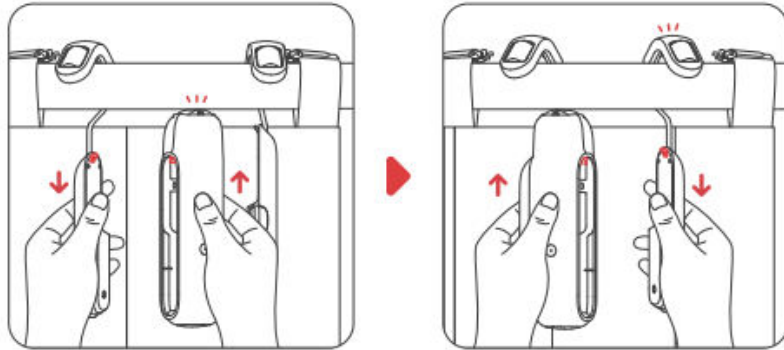


- 2. Install two detachable Hooks one by one onto your curtain rod between the first and the second ring.

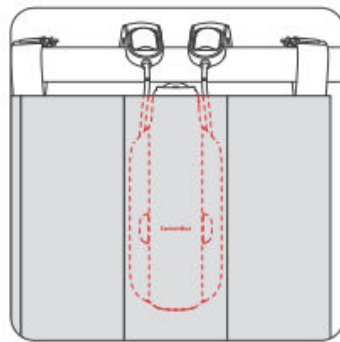


3. Pull one detachable Hook downwards with one hand, and hold the Main Unit (with the SwitchBot logo on it facing indoors) upwards against the rod with another hand. Align the snaps and attach the Main Unit to the Hook. You will hear a clicking sound when firmly attached. Then attach another Hook to the Main Unit.

Please note: do not apply excessive force when pulling the Hook downwards without supporting your rod, or your rod may break or detach from your wall.

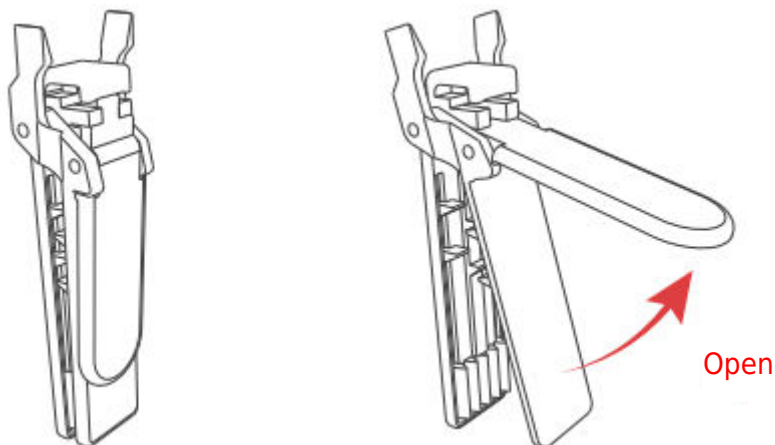


4. Adjust your SwitchBot Curtain 3 Rod to keep it perpendicular to the ground.

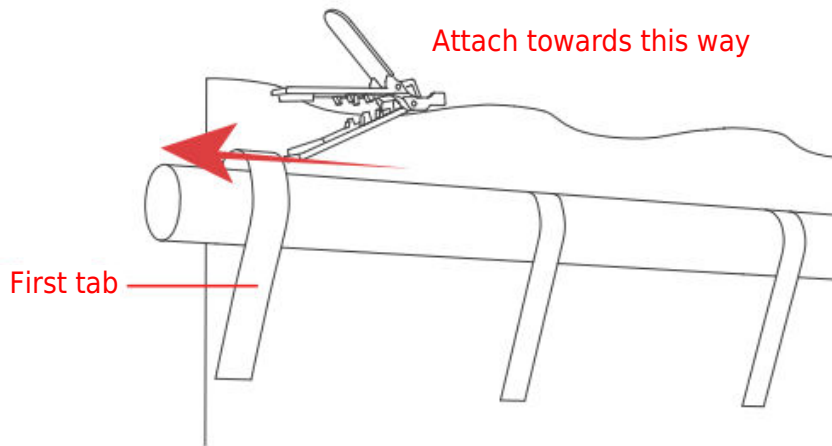


Back Tab Curtains

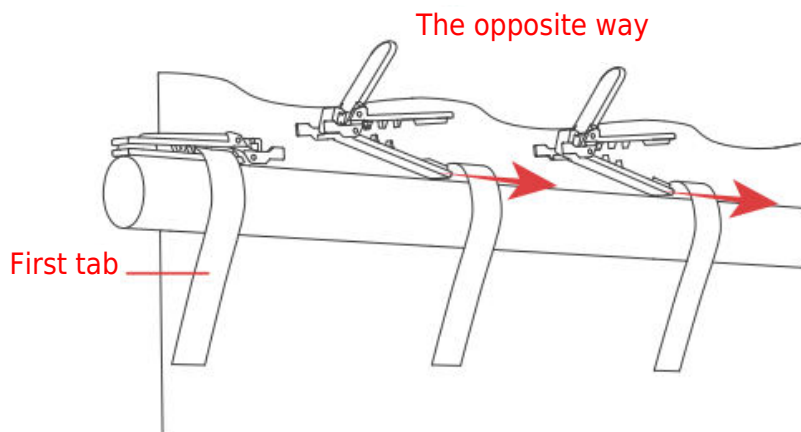
Use the clips provided to help install your SwitchBot Curtain 3 Rod on back tab curtains.



Close your curtain, attach a clip on the first tab.



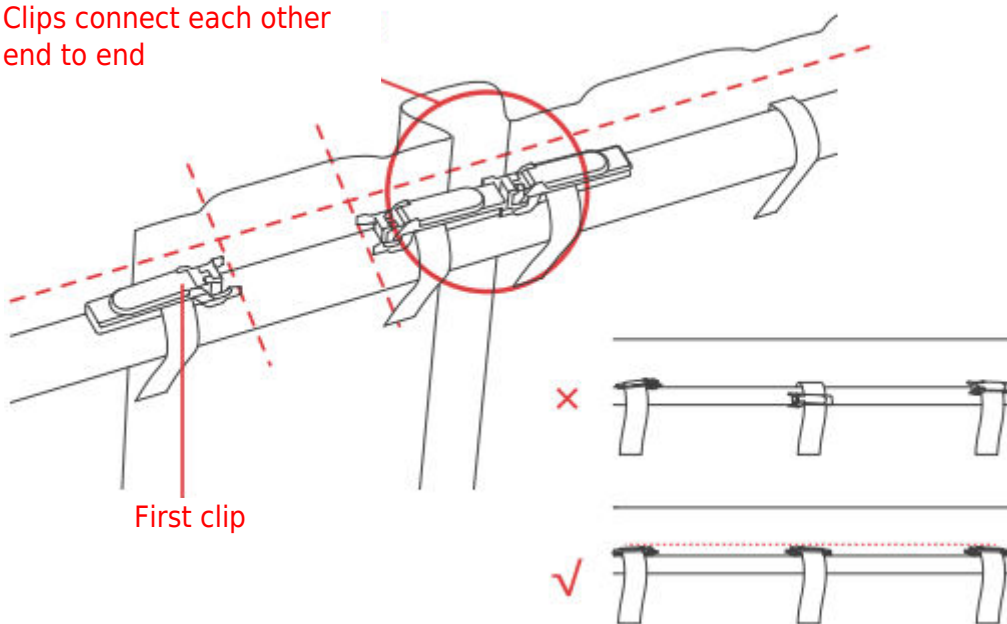
Attach the remaining clips on other tabs as shown in the picture.



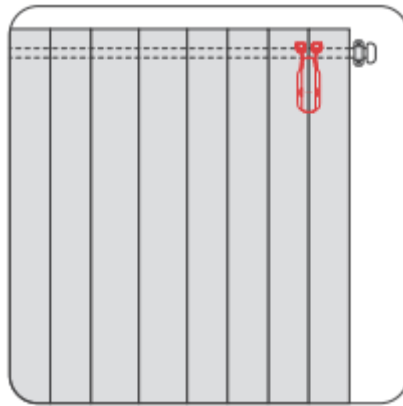
Beware that all other clips should be attached the opposite way against the first clip, make sure all the clips are sitting on the top of the rod and are aligned with each other.

Top view

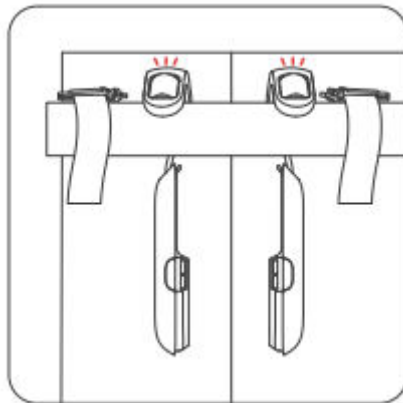
Clips connect each other end to end



1. Install your SwitchBot Curtain 3 Rod at the back of this type of curtain.

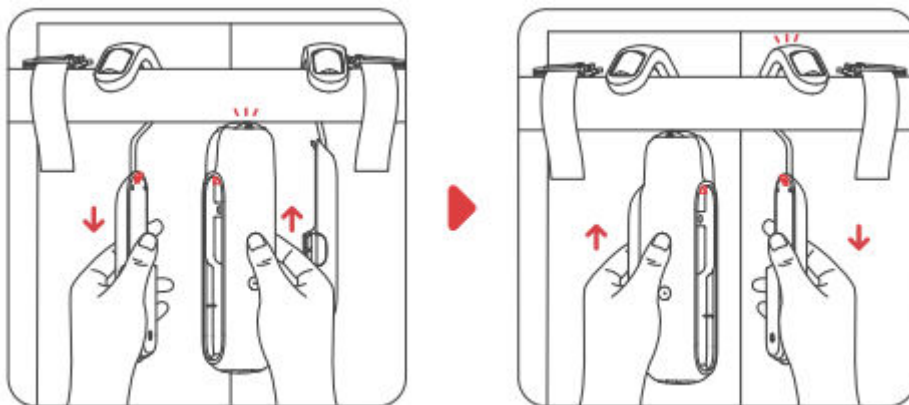


2. Install two detachable Hooks one by one onto your curtain rod between the first and the second ring.

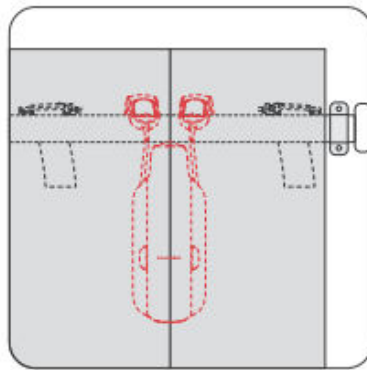


3. Pull one detachable Hook downwards with one hand, and hold the Main Unit (with the SwitchBot logo on it facing indoors) upwards against the rod with another hand. Align the snaps and attach the Main Unit to the Hook. You will hear a clicking sound when firmly attached. Then attach another Hook to the Main Unit.

Please note: do not apply excessive force when pulling the Hook downwards without supporting your rod, or your rod may break or detach from your wall.



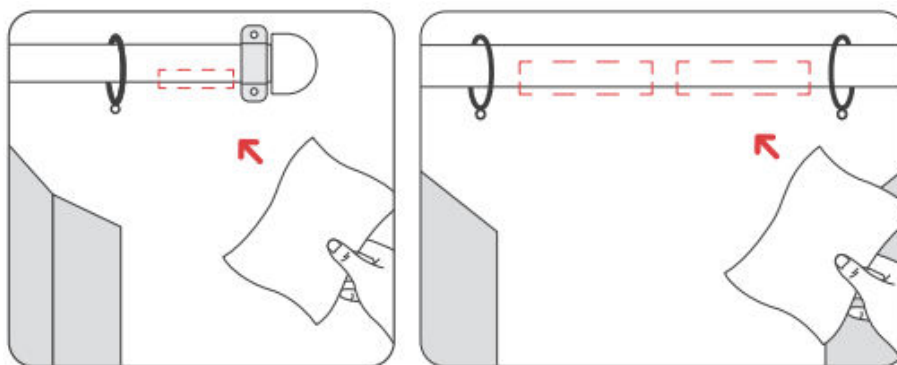
4. Adjust your SwitchBot Curtain 3 Rod to keep it perpendicular to the ground.



Step 3: Install Magnet Attachment

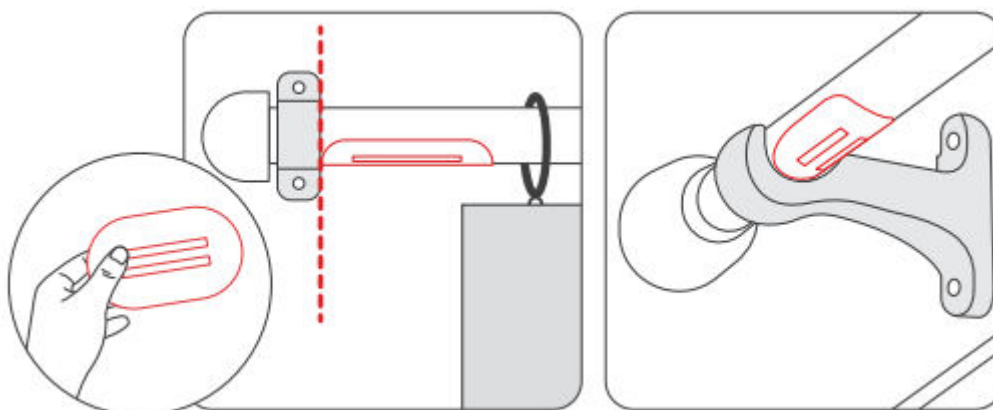
The magnet attachment will help your SwitchBot Curtain 3 Rod run precisely to close your curtains in future operation. Follow the steps below to install the magnet attachment before route calibration.

To ensure the magnet attachment firmly attaches to your track surface, please use the wet wipe provided to clean the surface first. Dirt or dust will affect adhesion and may cause dropping at a later time.



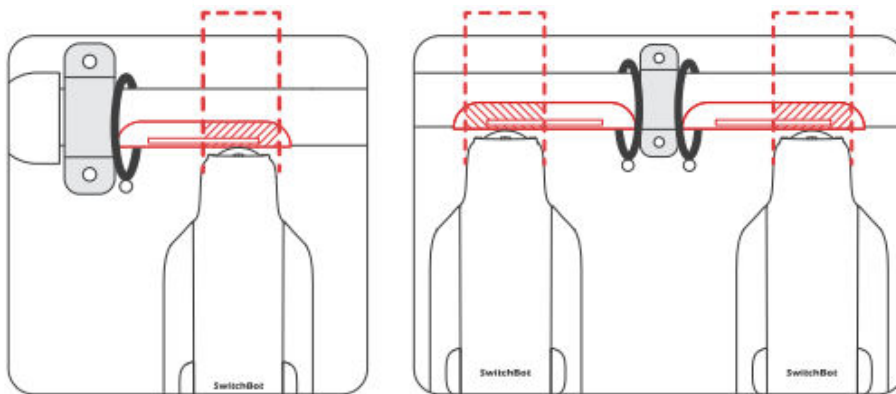
Situation 1: A rod bracket is holding the rod at the closed position.

1. Remove the magnet attachment from the liner. Stick it to the bottom of the rod along the bracket, with the magnet piece inside parallel with the rod. If you use double-sided curtains, stick two magnet attachments along both sides of the middle bracket symmetrically.



2. Pull your SwitchBot Curtain 3 Rod, make it roll onto the magnet attachment and stop within the area as shown in the picture.

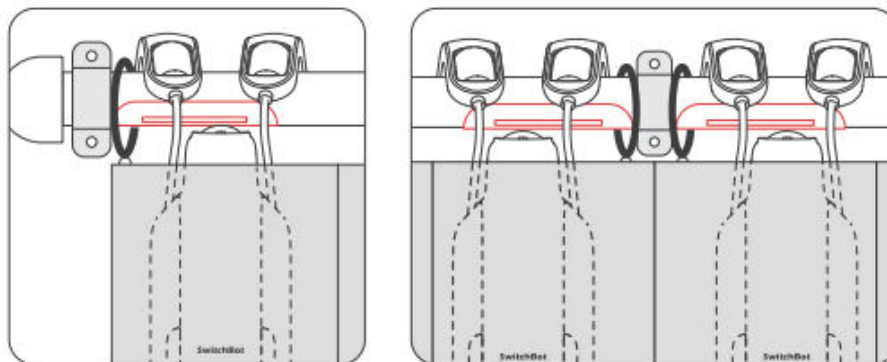
Area where the roller should stop at



Left-closing
Single-sided Curtain

Double-sided Curtain

3. Hide your SwitchBot Curtain 3 Rod behind your fabric curtain to finish.



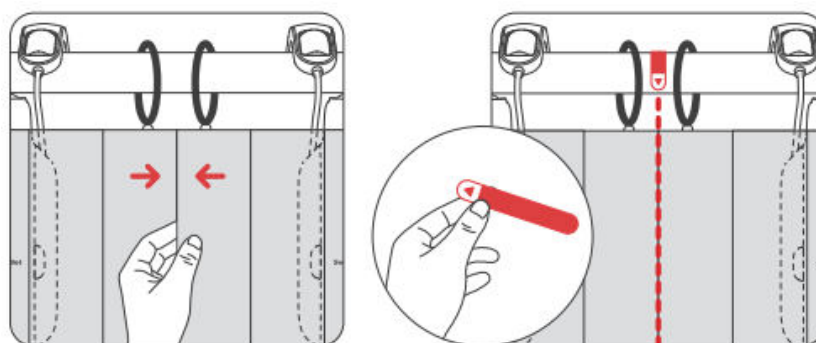
Left-closing
Single-sided Curtain

Double-sided Curtain

Situation 2: Double-sided curtains without a bracket in the middle

1. Fully close your curtains. Use the red long sticker to mark the middle position.

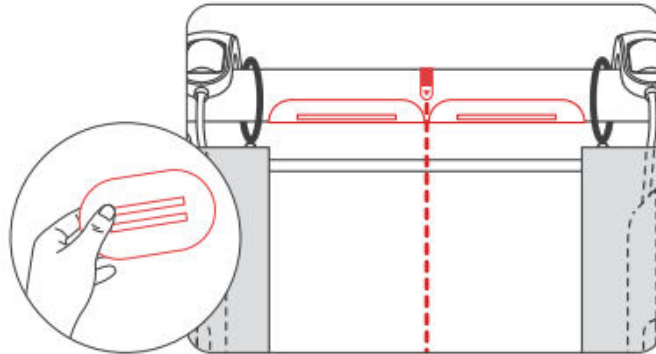
Please note: only using your eyes to measure the position may cause deviation. Please be sure to use the provided sticker.



2. Open your curtains. Peel off the tape liners of your magnet attachments, and stick them along both sides of the dotted line symmetrically.

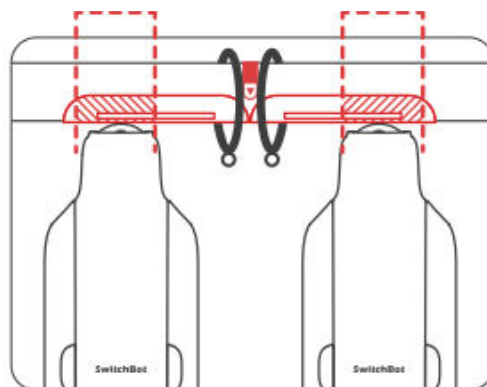
Please note:

- a. Two magnet attachments need to be close to each other, wrapping the rod at the bottom.
- b. The magnet pieces inside the attachments need to be parallel with the rod.

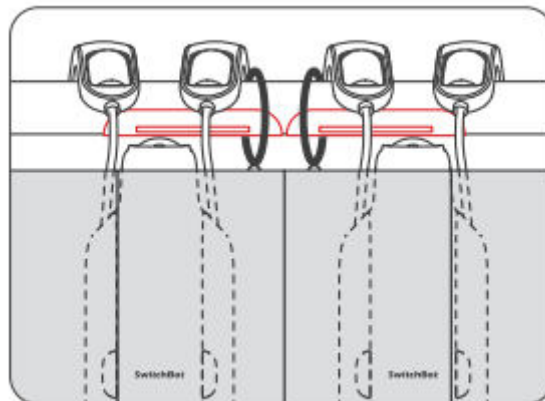


3. Pull your two SwitchBot Curtain 3 Rod devices separately, make them roll onto the magnet attachment and stop within the area as shown in the picture.

Area where the roller should stop at



4. Remove the red sticker. Hide your SwitchBot Curtain 3 Rod behind your fabric curtains to finish.



Step 4: Calibration

After you have added installed SwitchBot Curtain 3, you will need to calibrate your device to set its route on your curtain track. Please follow the instructions in our app to make sure that the actual movement of your curtain is the same as the animation in the app. You can choose to recalibrate your device or change its opening directions whenever you want by navigating to Curtain > Settings > Calibration.

Please note: You can group two SwitchBot Curtain 3 devices together should you plan to open your curtains from the middle. Before you calibrate, please make sure the positions of both devices are the same as shown in our app.

Control Methods

App Control

Open and close your curtains with just the tap of a button. We offer intuitive app control for iOS and Android users, with weekly/bi-weekly updates. OTA firmware updates are also available to give you a better user experience.

Touch & Go

When SwitchBot Curtain 3 senses you drawing your curtains (more than 5cm in distance), your device will automatically open or close depending on where your device is. For double-sided curtains, you need to pull one side to activate.

Please note: you can turn this feature off in the Advanced Settings page of your device at any time.

5cm lowers the possibility of false triggers by foreign objects, pets, children, etc.

Home Automation Using Voice Commands*

You can link multiple third-party smart assistants to your SwitchBot account to control your SwitchBot Curtain 3 or trigger scenes using voice commands.

How to realize voice control and home automation:

- Connect your smartphone or table to the Internet.
- Set up a SwitchBot Hub (sold separately)
- Turn on Cloud Services via SwitchBot Curtain 3 Settings page.
- Link third-party services to your SwitchBot account.

Alexa, close the curtains.

Hey Google, close my bedroom curtains.

Hey Siri, open the living room curtains.

SwitchBot Hub requires (sold separately)

Using Your Device with SwicthBot Remote



A wireless remote to place anywhere.

You can also control your SwitchBot Curtain 3 using SwitchBot Remote (sold separately) with two buttons located on the remote that can be set as an action via our app. One remote can also control 2 SwitchBot Curtain 3 devices that have been grouped. Please refer to the user manual or Remote for more information.

Device Settings

Light Sensor (Solar Panel)

By connecting your SwitchBot Curtain 3 to the SwitchBot Solar Panel (sold separately), you can set up automations based on the light level data. The light level curve will tell you the optimal time period of sunlight in a day and you can set the automatic charging schedule accordingly for your SwitchBot Curtain 3.

Delay

You can set a delay for a countdown action including countdown time, percentage of opening or closing, and Motion mode.

Schedules

You can set up to 5 Schedules locally on your device, or unlimited Schedules when used with a SwitchBot Hub. You are able to set the day, time, percentage of opening or closing and Motion mode.

Charging, Firmware Upgrades and Reseting Factory Settings

Charging

It takes about 6.5 hours to fully charge your device battery and this can last for up to 8 months after one full charge. You may also purchase SwitchBot Solar Panel to charge using sunlight.

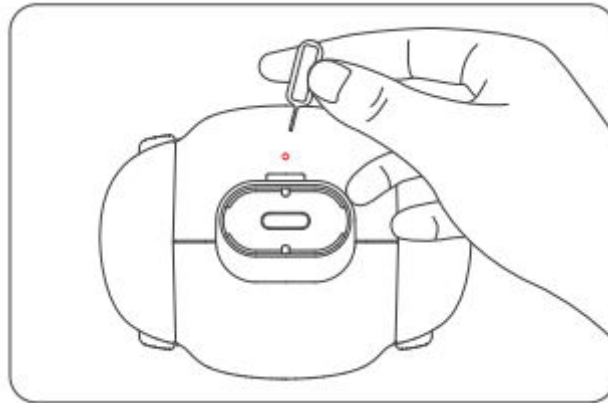
1. A 5V = 1A adapter is required to charge your device.
2. Battery life is tested by opening and closing 8 kg (17 lbs) curtains on a 3-meter-long track once a day under temperature conditions of 25°C. Actual battery life may vary depending on different conditions.
3. With only 3 hours per day exposed under sunlight that can cast clear shadow, our new SwitchBot Solar Panel can generate sufficient power to sustain your SwitchBot Curtain 3 forever.

The upgrade Solar Panel greatly improved efficiency even under weak sunlight. As long as your window can receive sunlight, we recommend purchasing our Solar Panel to charge your device. This way, you can ensure that your SwitchBot Curtain 3 remains powered and ready to use whenever you need it.

Firmware Upgrades

In order to improve user experience, we will regularly release firmware updates to introduce new functions and solve any software defects that may occur during usage. When a new firmware version is available, we will send an upgrade notification to your account via our app. When upgrading, please make sure your product has sufficient battery and make sure your smartphone is withing range to prevent interference.

Resetting Factory Settings



Use the reset tool provided to press and hold the Reset button for 3 seconds until the indicator light is visible and then release it.

Specifications

| | |
|---|--|
| Colour | White |
| Material | ABS + PC (Anti-UV, fire-resistance rating V-0) |
| Size (Main Unit) | 42 x 51 x 173 mm (1.7 x 2 x 6.8 in.) |
| Weight (Main Unit) | 280 g (9.9 oz.) |
| Power | Type-C, DC 5V $\bar{\square}$ 1A, 3350 mAh lithium-ion battery or by Solar Panel |
| Battery Life | 8 months or unlimited with Solar Panel |
| Network Connectivity | Bluetooth 5.0, long range transmission |
| Strength | Support curtain of up to 15kg (33 lbs) (form controlled experiments in our lab) |
| Max Runway | 3 m (9.8 ft) |
| Schedule | Up to 5, or unlimited with a SwitchBot Hub |
| Voice Control (SwitchBot Hub Required) | Amazon Alexa, Google Assistant, Siri Shortcuts, SmartThings, IFTTT |

Please note: we recommend using your device in room temperature conditions only.

1. SwitchBot Solar Panel is sold separately.
2. Battery life tested under conditions of opening and closing a 8 kg (17lbs) curtain on a 3 meter long track once a day at a temperature of 25°C. Actual battery life may vary.
3. SwitchBot Hub sold separately.

Warranty Conditions

A new product purchased in the Alza.cz sales network is guaranteed for 2 years. If you need repair or other services during the warranty period, contact the product seller directly, you must provide the original proof of purchase with the date of purchase.

The following are considered to be a conflict with the warranty conditions, for which the claimed claim may not be recognized:

- Using the product for any purpose other than that for which the product is intended or failing to follow the instructions for maintenance, operation, and service of the product.
- Damage to the product by a natural disaster, the intervention of an unauthorized person or mechanically through the fault of the buyer (e.g., during transport, cleaning by inappropriate means, etc.).
- Natural wear and aging of consumables or components during use (such as batteries, etc.).
- Exposure to adverse external influences, such as sunlight and other radiation or electromagnetic fields, fluid intrusion, object intrusion, mains overvoltage, electrostatic discharge voltage (including lightning), faulty supply or input voltage and inappropriate polarity of this voltage, chemical processes such as used power supplies, etc.
- If anyone has made modifications, modifications, alterations to the design or adaptation to change or extend the functions of the product compared to the purchased design or use of non-original components.

WEEE

This product must not be disposed of as normal household waste in accordance with the EU Directive on Waste Electrical and Electronic Equipment (WEEE - 2012/19 / EU). Instead, it shall be returned to the place of purchase or handed over to a public collection point for the recyclable waste. By ensuring this product is disposed of correctly, you will help prevent potential negative consequences for the environment and human health, which could otherwise be caused by inappropriate waste handling of this product. Contact your local authority or the nearest collection point for further details. Improper disposal of this type of waste may result in fines in accordance with national regulations.



Vážený zákazníku,

Děkujeme vám za zakoupení našeho produktu. Před prvním použitím si prosím pečlivě přečtěte následující pokyny a uschovejte si tento návod k použití pro budoucí použití. Zvláštní pozornost věnujte bezpečnostním pokynům. Pokud máte k přístroji jakékoli dotazy nebo připomínky, obraťte se na zákaznickou linku.

✉ www.alza.cz/kontakt

☎ +420 225 340 111

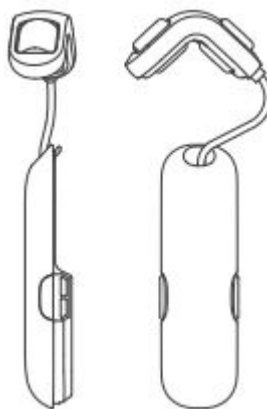
Dovozce Alza.cz a.s., Jankovcova 1522/53, Holešovice, 170 00 Praha 7, www.alza.cz

Před použitím zařízení si pečlivě přečtěte tuto uživatelskou příručku.

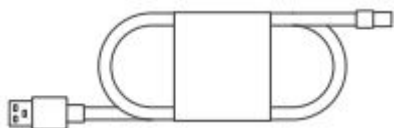
Obsah balení



Hlavní jednotka



Pár háčků (tyč)



Kabel typu C



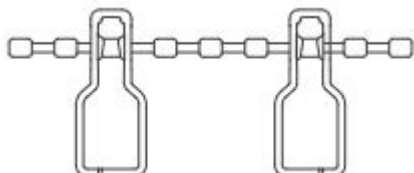
Klip



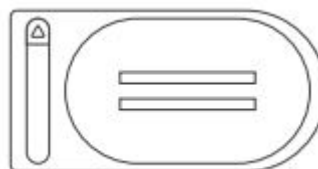
Nástroj pro resetování



Vlhká utěrka

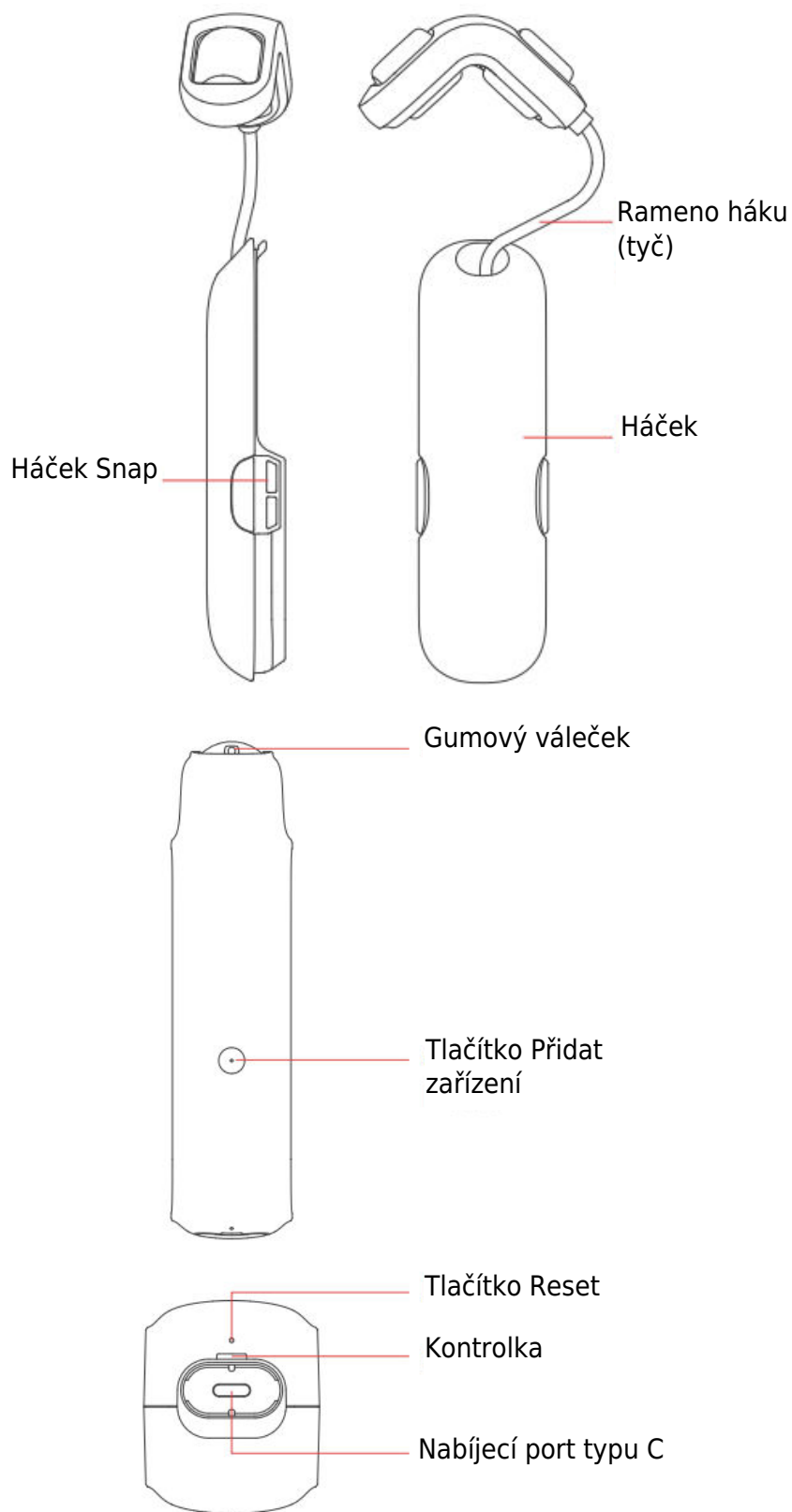


Fixátor korálek (nainstalované korálky)



Magnetický nástavec (pro polohování)

Seznam součástí



Příprava

- Chytrý telefon nebo tablet s rozhraním Bluetooth 4.2 nebo novějším.
- Nejnovější verze naší aplikace, kterou si můžete stáhnout z obchodu Apple App Store nebo Google Play Store.
- Účet Switch Bot, který si můžete zaregistrovat prostřednictvím naší aplikace nebo se přihlásit přímo ke svému účtu, pokud ho již máte.
- Plně nabitý SwitchBot Curtain 3.

Upozornění: Pokud hodláte používat službu Cloud Service pro hlasové ovládání, budete potřebovat SwitchBot Hub (prodává se samostatně).



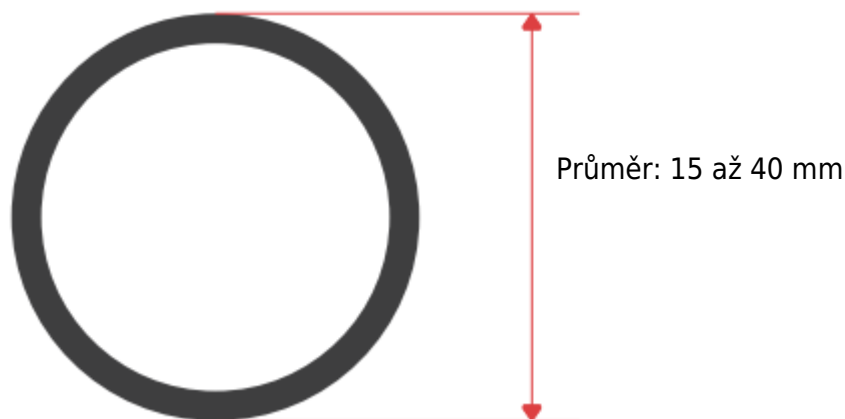
iOS 11.0+



Android OS 5.0+

Zkontrolujte dráhu záclon

SwitchBot Curtain 3 Rod podporuje záclonovou dráhu s následujícími rozměry:



Pokud tyč SwitchBot Curtain 3 Rod nepasuje na vaši záclonovou dráhu, kontaktujte naši zákaznickou podporu na adrese support@switch-bot.com.

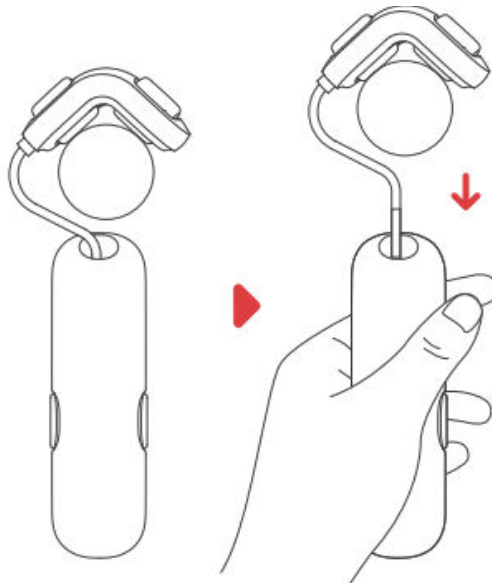
Instalace

Krok 1: Přidejte tyč SwitchBot Curtain 3 do naší aplikace.

Otevřete naši aplikaci a přihlaste se ke svému účtu. Klepněte na "+" v pravém horním rohu domovské stránky, najděte ikonu opony a vyberte. Poté podle pokynů přidejte tyč SwitchBot Curtain 3.

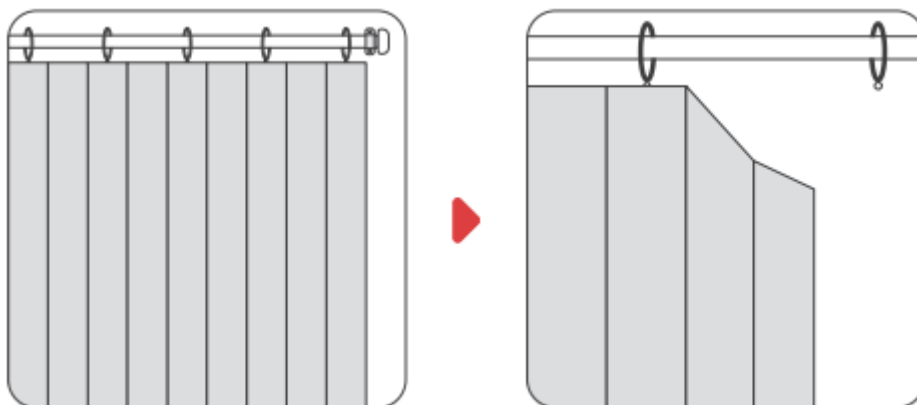
Krok 2: Nainstalujte tyč SwitchBot Curtain 3 na záclonovou dráhu.

Natahovací rameno háku

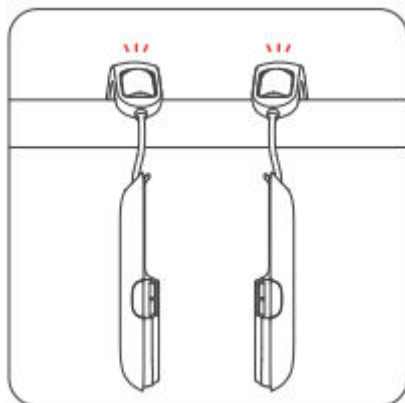


Ring Top Záclony

1. Úplně zatáhněte záclonu a vyjměte první háček záclony z kroužku.

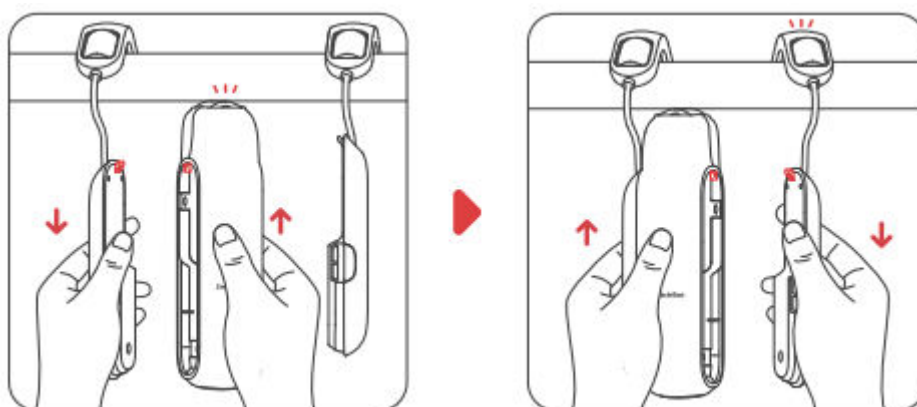


2. Na záclonovou tyč mezi první a druhý kroužek nainstalujte postupně dva odnímatelné háčky.

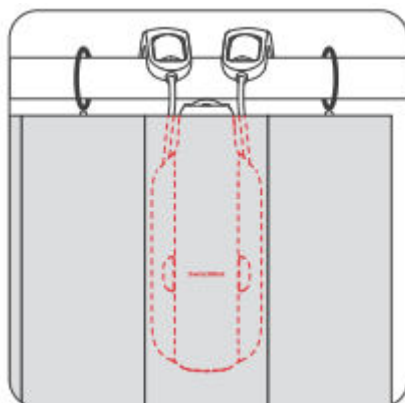


3. Jednou rukou zatáhněte za jeden odnímatelný háček směrem dolů a druhou rukou přidržte hlavní jednotku (s logem SwitchBot směrem dovnitř) nahoře u tyče. Zarovnejte západky a připevněte hlavní jednotku k háku. Po pevném připevnění uslyšíte cvaknutí. Poté k hlavní jednotce připevněte další háček.

Upozornění: při tahání háčku směrem dolů nevyvíjejte nadměrnou sílu, aniž byste tyč podepřeli, jinak se může tyč zlomit nebo oddělit od stěny.

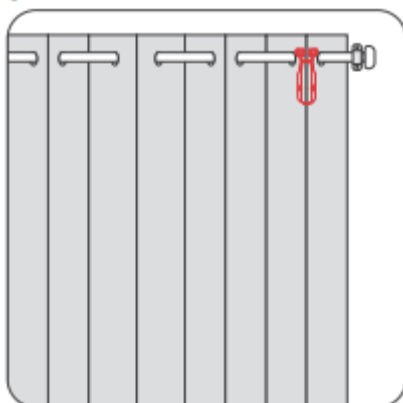


4. Nastavte tyč SwitchBot Curtain 3 tak, aby byla kolmo k zemi. Zavěste záclonu zpět na místo a schovejte tyč SwitchBot Curtain 3 Rod za látku záclony.

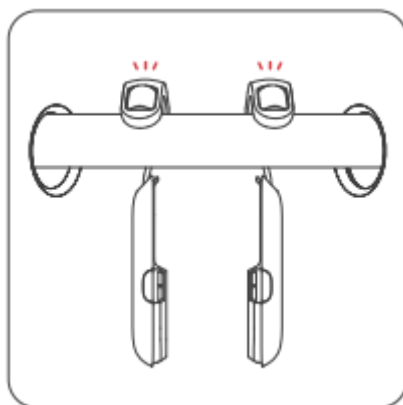


Průchodkové záclony

1. Nainstalujte tyč SwitchBot Curtain 3 na zadní stranu tohoto typu závěsu.

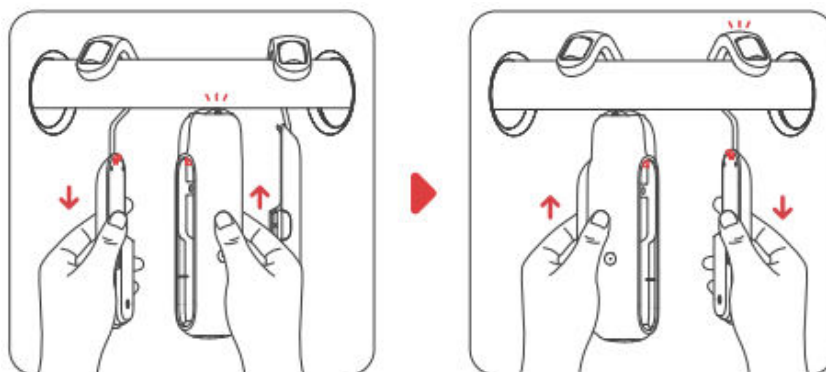


2. Na záclonovou tyč mezi první a druhý kroužek nainstalujte postupně dva odnímatelné háčky.

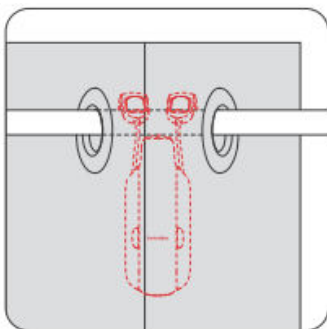


3. Jednou rukou zatáhněte za jeden odnímatelný háček směrem dolů a druhou rukou přidržte hlavní jednotku (s logem SwitchBot směrem dovnitř) nahoře u tyče. Zarovnejte západky a připevněte hlavní jednotku k háku. Po pevném připevnění uslyšíte cvaknutí. Poté k hlavní jednotce připevněte další háček.

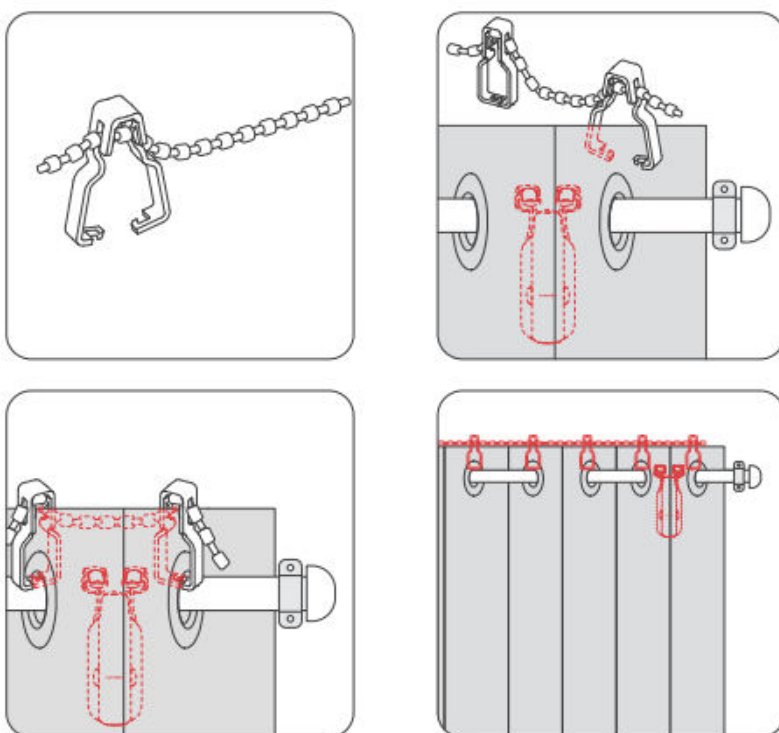
Upozornění: při tahání háčku směrem dolů nevyvíjejte nadměrnou sílu, aniž byste tyč podepřeli, jinak se může tyč zlomit nebo oddělit od stěny.



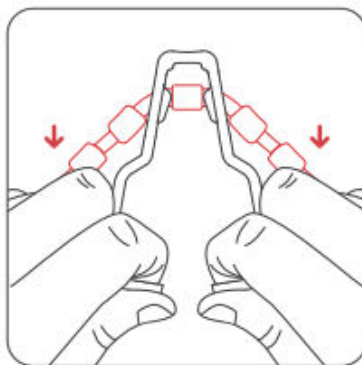
4. Nastavte tyč SwitchBot Curtain 3 tak, aby byla kolmo k zemi.



5. Podle níže uvedeného obrázku nainstalujte fixátor korálek (s nainstalovanými korálky) do horní části průchodek. Ujistěte se, že jste je pevně připevnili k průchodkám. Na závěr odstříhnete zbývající korálky nebo je umístíte za závěsy.

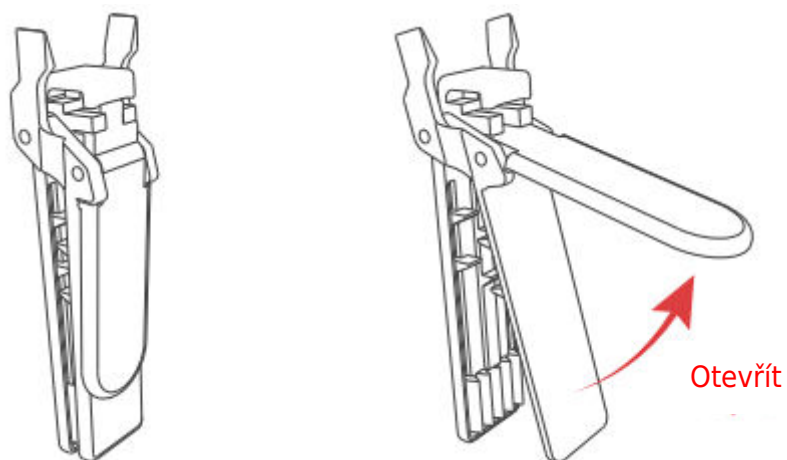


Pokud vzdálenost mezi sponami nevyhovuje vašim záclonám, můžete je upravit podle obrázku níže.

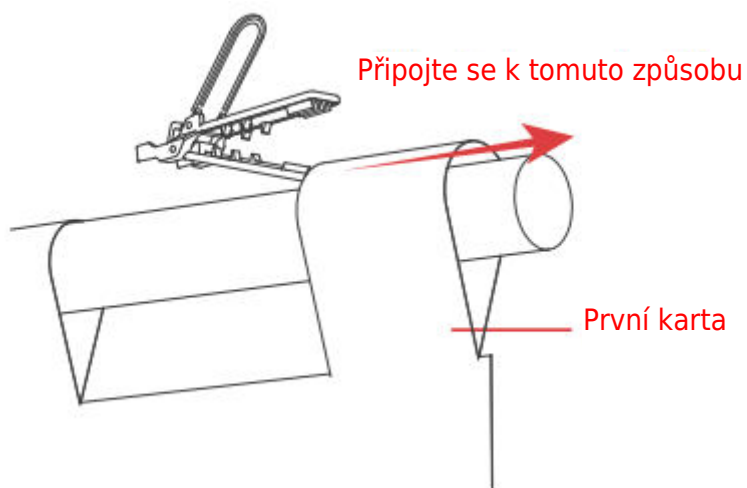


Tab Top Záclony

Pomocí přiložených klipů můžete tyč SwitchBot Curtain 3 Rod nainstalovat na horní záclony se záložkami.

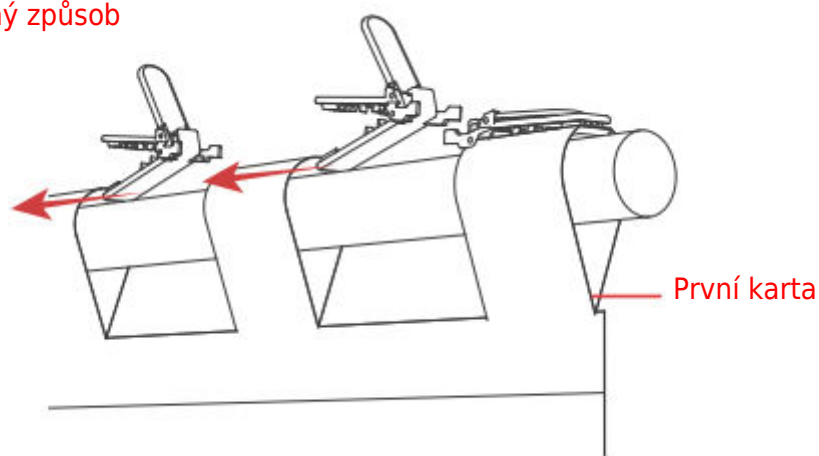


Zavřete závěs, připevněte klip na první záložku.

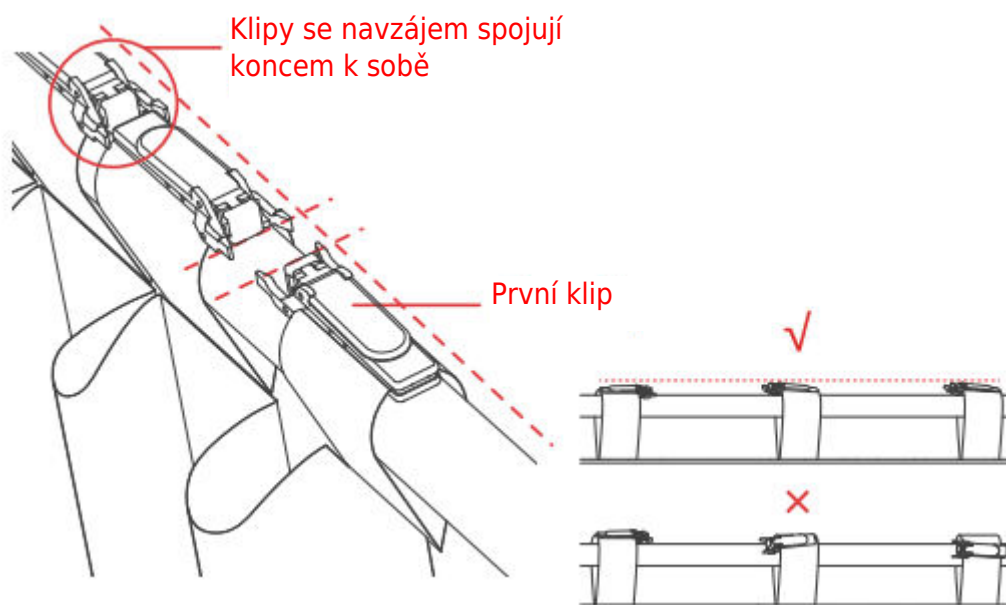


Připevněte zbývající svorky na další záložky, jak je znázorněno na obrázku.

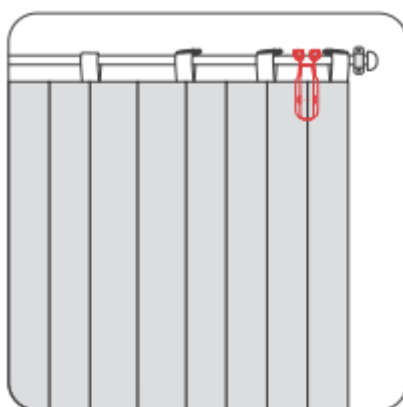
Opačný způsob



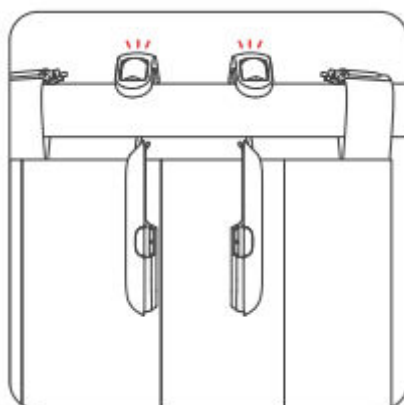
Pozor, všechny další klipy by měly být připevněny opačně než první klip, ujistěte se, že všechny klipy sedí na horní části tyče a jsou vzájemně zarovnané.



1. Nainstalujte tyč SwitchBot Curtain 3 na zadní stranu tohoto typu záclony.

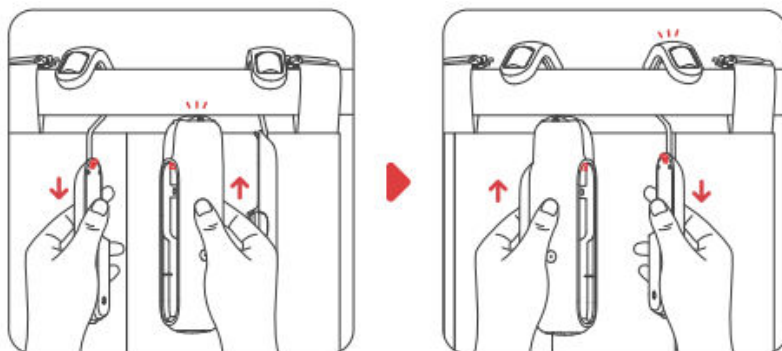


2. Na záclonovou tyč mezi první a druhý kroužek nainstalujte postupně dva odnímatelné háčky.

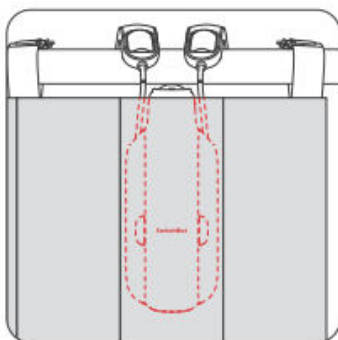


3. Jednou rukou zatáhněte za jeden odnímatelný háček směrem dolů a druhou rukou přidržete hlavní jednotku (s logem SwitchBot směrem dovnitř) nahoře u tyče. Zarovnejte západky a připevněte hlavní jednotku k háku. Po pevném připevnění uslyšíte cvaknutí. Poté k hlavní jednotce připevněte další háček.

Upozornění: při tahání háčku směrem dolů nevyvíjejte nadměrnou sílu, aniž byste tyč podepřeli, jinak se může tyč zlomit nebo oddělit od stěny.

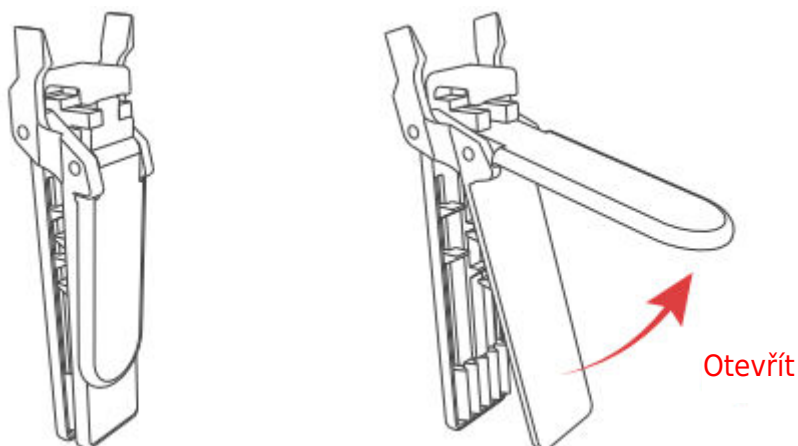


4. Nastavte tyč SwitchBot Curtain 3 tak, aby byla kolmo k zemi.

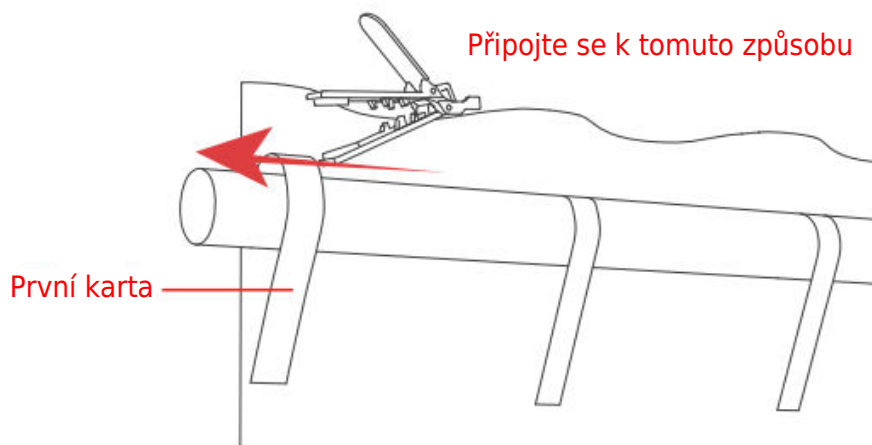


Zpět Záclony Tab

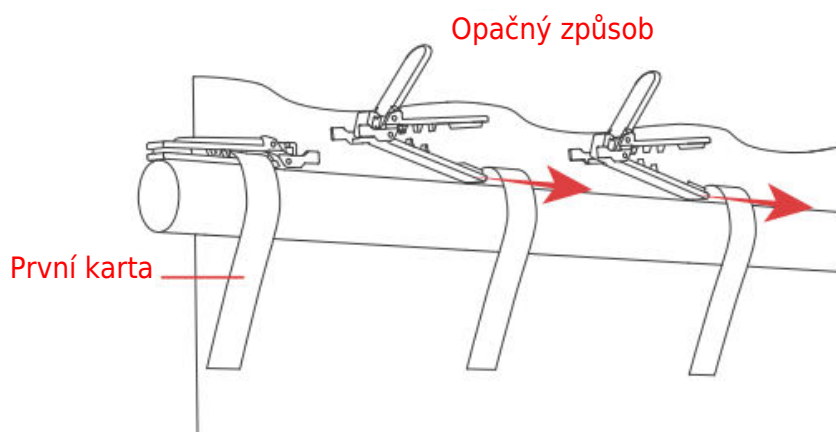
Pomocí přiložených klipů můžete tyč SwitchBot Curtain 3 Rod nainstalovat na záclony se zadními záložkami.



Zavřete závěs, připevněte klip na první záložku.



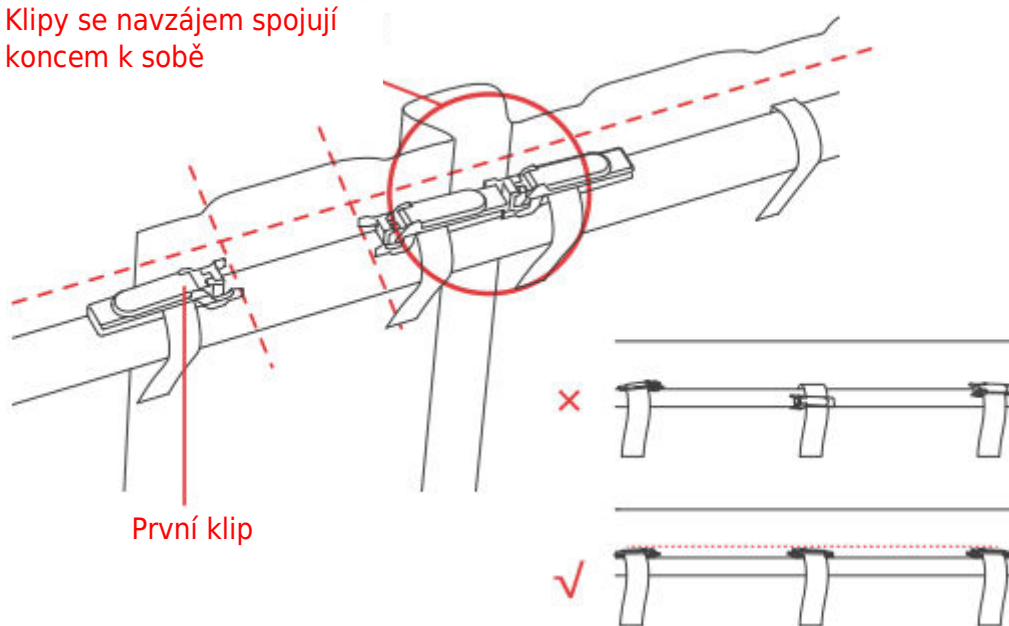
Připevněte zbývající svorky na další záložky, jak je znázorněno na obrázku.



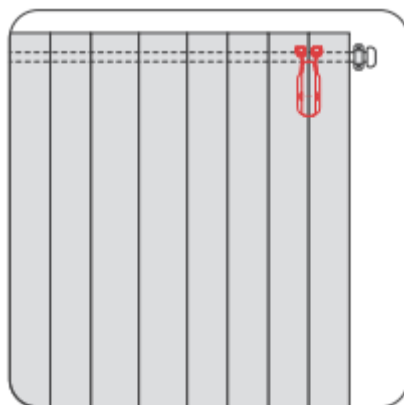
Pozor, všechny další klipy by měly být připevněny opačně než první klip, ujistěte se, že všechny klipy sedí na horní části tyče a jsou vzájemně zarovnané.

Pohled shora

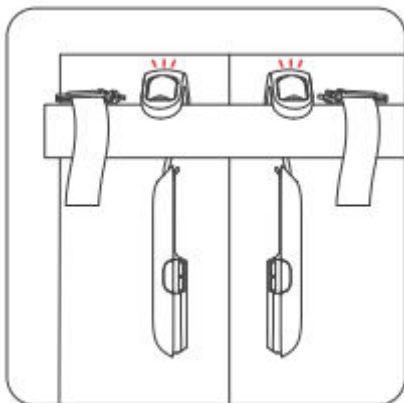
Klipy se navzájem spojují
koncem k sobě



1. Nainstalujte tyč SwitchBot Curtain 3 na zadní stranu tohoto typu závěsu.

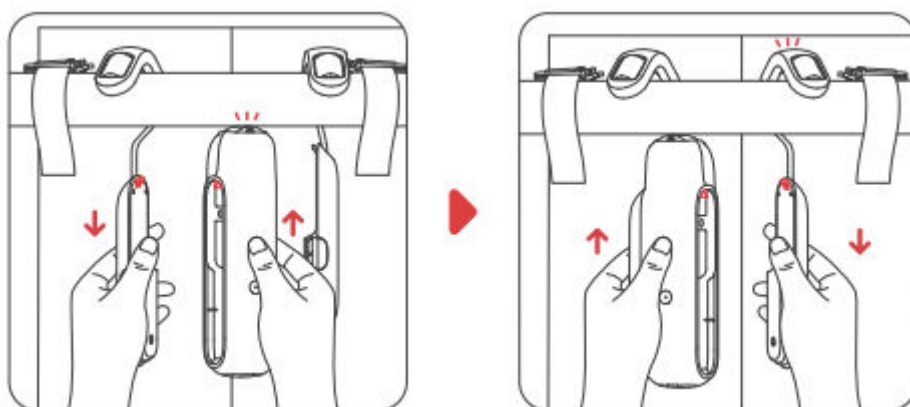


2. Na záclonovou tyč mezi první a druhý kroužek nainstalujte postupně dva odnímatelné háčky.

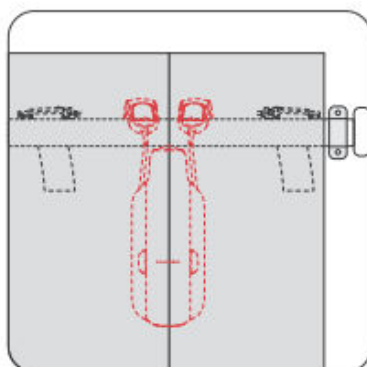


3. Jednou rukou zatáhněte za jeden odnímatelný háček směrem dolů a druhou rukou přidrže hlavní jednotku (s logem SwitchBot směrem dovnitř) nahore u tyče. Zarovnejte západky a připevněte hlavní jednotku k háku. Po pevném připevnění uslyšíte cvaknutí. Poté k hlavní jednotce připevněte další háček.

Upozornění: při tahání háčku směrem dolů nevyvíjejte nadměrnou sílu, aniž byste tyč podepřeli, jinak se může tyč zlomit nebo oddělit od stěny.



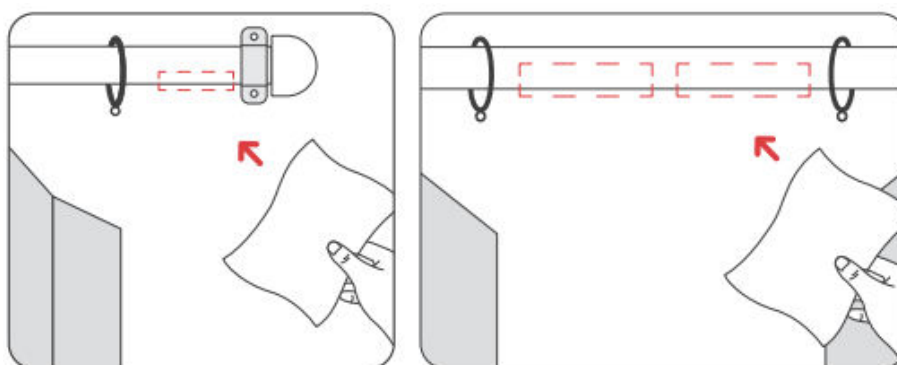
4. Nastavte tyč SwitchBot Curtain 3 tak, aby byla kolmo k zemi.



Krok 3: Instalace magnetu

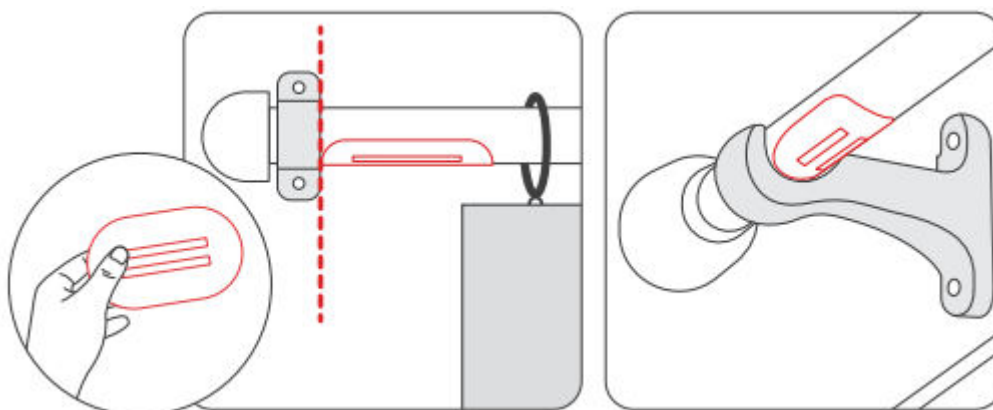
Magnetický nástavec pomůže tyči SwitchBot Curtain 3 Rod v budoucím provozu přesně zatáhnout záclony. Při instalaci magnetického nástavce před kalibrací trasy postupujte podle níže uvedených pokynů.

Abyste zajistili pevné připevnění magnetického nástavce k povrchu dráhy, použijte nejprve dodanou vlhkou utěrku k očištění povrchu. Prach nebo špína ovlivňují přilnavost a mohou později způsobit odpadnutí.



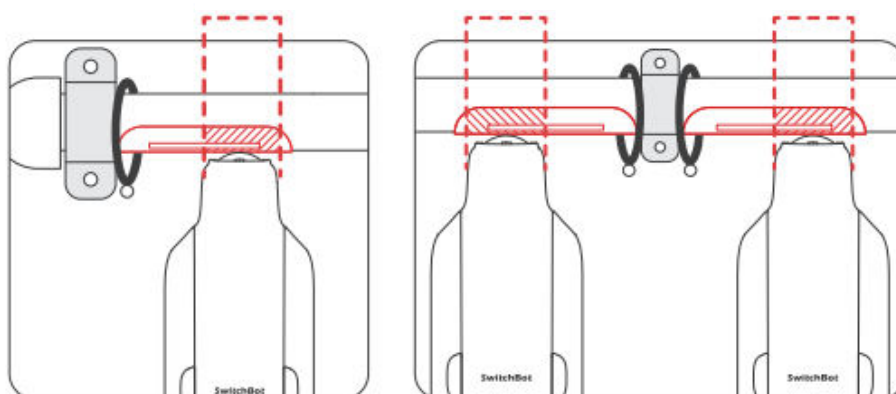
Situace 1: Držák tyče drží tyč v zavřené poloze.

1. Odstraňte z vložky magnetický nástavec. Přilepte jej na spodní část silnice podél držáku tak, aby byl kus magnetu uvnitř rovnoběžný s tyčí.
Pokud používáte oboustranné závěsy, nalepte dva magnetické nástavce podél obou stran středového držáku symetricky.



- Zatáhněte za tyč SwitchBot Curtain 3, nechte ji najet na magnetický nástavec a zastavte ji v oblasti, jak je znázorněno na obrázku.

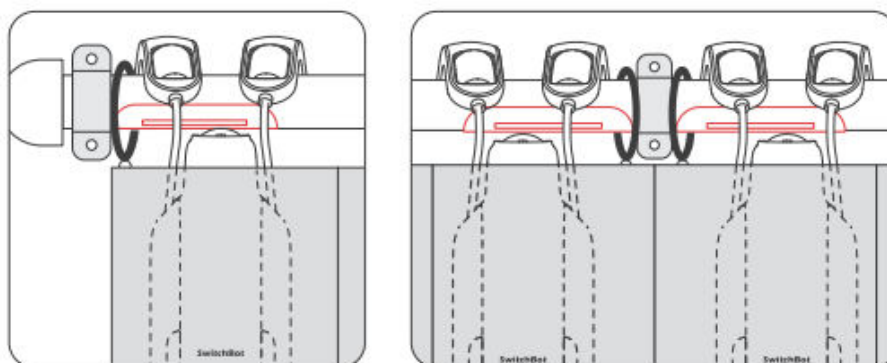
Oblast, kde se má váleček zastavit



Jednostranná záclona s levým zavíráním

Oboustranný závěs

- Na závěr schovejte tyč SwitchBot Curtain 3 za látkový závěs.

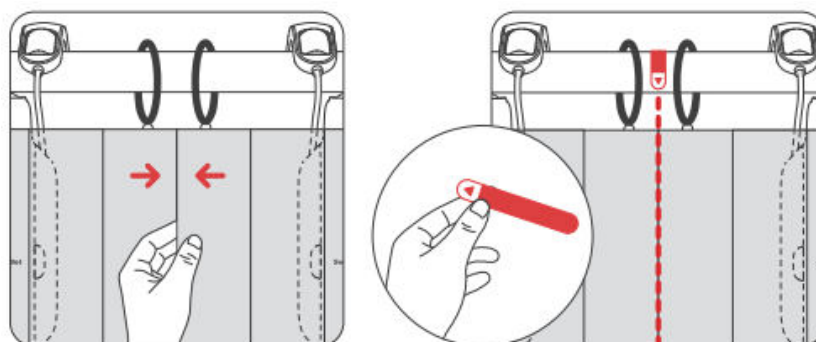


Jednostranná záclona s levým zavíráním

Oboustranný závěs

Situace 2: Oboustranné závěsy bez držáku uprostřed

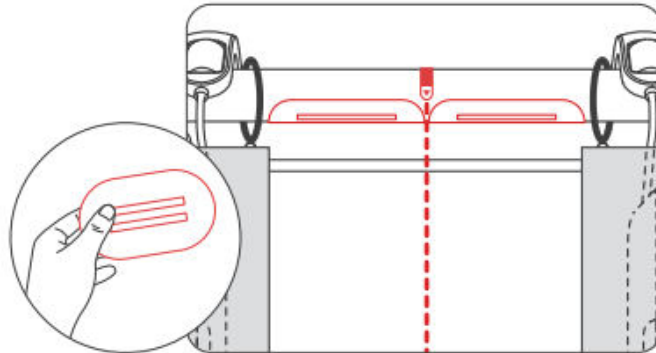
- Úplně zatáhněte závěsy. Pomocí červené dlouhé samolepky označte střední polohu. Upozornění: měření polohy pouze očima může způsobit odchylku. Nezapomeňte použít dodanou nálepku.



2. Roztáhněte závěsy. Odlepte pásky z magnetických nástavců a nalepte je symetricky podél obou stran přerušované čáry.

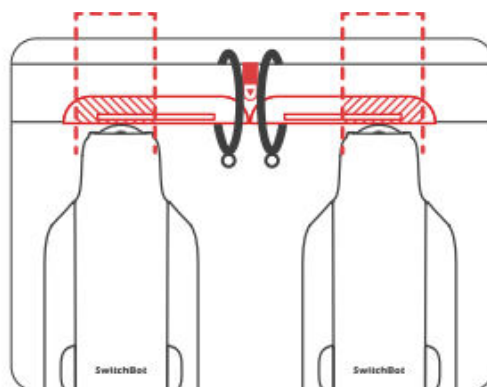
Upozornění:

- a. Dva magnetické nástavce musí být blízko u sebe a obepínat tyč ve spodní části.
- b. Magnety uvnitř nástavců musí být rovnoběžné s tyčí.

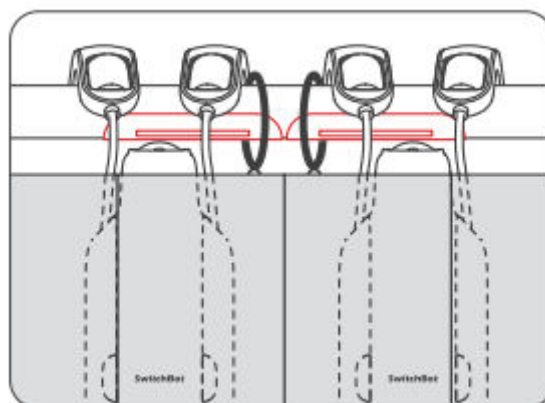


3. Vytáhněte dvě zařízení SwitchBot Curtain 3 Rod zvlášť, přinutěte je, aby se navíjela na magnetický nástavec a zastavila se v oblasti, jak je znázorněno na obrázku.

Oblast, kde se má váleček zastavit



4. Odstraňte červenou nálepku. Na závěr schovejte tyč SwitchBot Curtain 3 za látkové závěsy.



Krok 4: Kalibrace

Po přidání nainstalovaného zařízení SwitchBot Curtain 3 je třeba zařízení zkalibrovat a nastavit jeho trasu na záclonové dráze. Postupujte podle pokynů v naší aplikaci, abyste se ujistili, že skutečný pohyb vašeho závěsu odpovídá animaci v aplikaci. Kdykoli se můžete rozhodnout zařízení překalibrovat nebo změnit směr jeho otevírání, a to tak, že přejdete do nabídky Curtain > Settings (Nastavení) > Calibration (Kalibrace).

Upozornění: Pokud plánujete otevírat záclony zprostřed, můžete dvě zařízení SwitchBot Curtain 3 seskupit dohromady. Před kalibrací se ujistěte, že jsou pozice obou zařízení stejné, jak je zobrazeno v naší aplikaci.

Kontrolní metody

Ovládání aplikací

Závěsy můžete otevírat a zavírat pouhým klepnutím na tlačítko. Nabízíme intuitivní ovládání pomocí aplikace pro uživatele systémů iOS a Android s týdenními/ dvoutýdenními aktualizacemi. K dispozici jsou také aktualizace firmwaru OTA, které vám poskytnou lepší uživatelský komfort.

Dotkni se a jdi

Když SwitchBot Curtain 3 zjistí, že zatahujete závěsy (vzdálenost větší než 5 cm), zařízení se automaticky otevře nebo zavře podle toho, kde se zařízení nachází. V případě oboustranných závěsů je třeba k aktivaci zatáhnout za jednu stranu.

Upozornění: tuto funkci můžete kdykoli vypnout na stránce Rozšířená nastavení zařízení. 5 cm snižuje možnost falešného spuštění cizími předměty, domácími zvířaty, dětmi atd.

Automatizace domácnosti pomocí hlasových příkazů*

K účtu SwitchBot můžete připojit více chytrých asistentů třetích stran a ovládat tak svůj SwitchBot Curtain 3 nebo spouštět scény pomocí hlasových příkazů.

Jak realizovat hlasové ovládání a domácí automatizaci:

- Připojte svůj chytrý telefon nebo stůl k internetu.
- Nastavení rozbočovače SwitchBot (prodává se samostatně)
- Zapněte Cloudové služby na stránce Nastavení SwitchBot Curtain 3.
- Propojení služeb třetích stran s účtem SwitchBot.

Alexa, close the curtains.

Hey Google, close my bedroom curtains.

Hey Siri, open the living room curtains.

SwitchBot Hub vyžaduje (prodává se samostatně)

Používání zařízení s ovladačem SwitchBot Remote



Bezdrátový dálkový ovladač, který můžete umístit kamkoli.

SwitchBot Curtain 3 můžete ovládat také pomocí dálkového ovladače SwitchBot Remote (prodává se samostatně) se dvěma tlačítky umístěnými na dálkovém ovladači, které lze nastavit jako akci prostřednictvím naší aplikace. Jedním dálkovým ovladačem lze také ovládat 2 zařízení SwitchBot Curtain 3, která byla seskupena. Další informace naleznete v uživatelské příručce nebo v aplikaci Remote.

Nastavení zařízení

Světelný senzor (solární panel)

Připojením záclony SwitchBot 3 k solárnímu panelu SwitchBot (prodává se samostatně) můžete nastavit automatizaci na základě údajů o úrovni osvětlení. Křivka úrovně osvětlení vám ukáže optimální dobu slunečního svitu za den a podle toho můžete nastavit automatický plán nabíjení pro váš SwitchBot Curtain 3.

Zpoždění

Můžete nastavit zpoždění akce odpočítávání, včetně doby odpočítávání, procenta otevření nebo zavření a režimu pohybu.

Rozvrhy

Místně v zařízení můžete nastavit až 5 plánů nebo neomezený počet plánů při použití s rozbočovačem SwitchBot. Můžete nastavit den, čas, procento otevření nebo zavření a režim pohybu.

Nabíjení, aktualizace firmwaru a obnovení továrního nastavení

Nabíjení

Plné nabití baterie zařízení trvá přibližně 6,5 hodiny a po jednom plném nabití vydrží až 8 měsíců. Můžete si také zakoupit solární panel SwitchBot pro nabíjení pomocí slunečního světla.

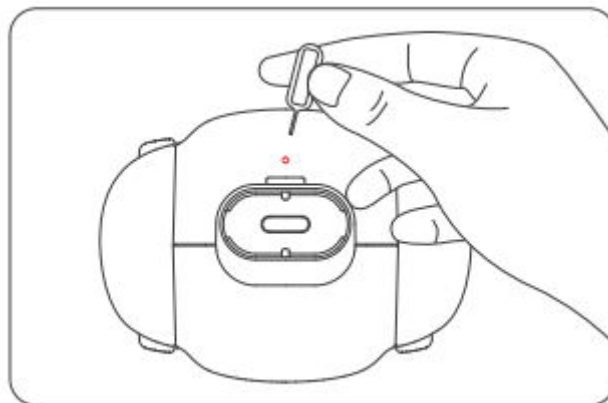
1. K nabíjení zařízení je nutný adaptér 5V= 1A.
2. Životnost baterií se testuje tak, že se jednou denně otevírají a zavírají závěsy o hmotnosti 8 kg na dráze dlouhé 3 metry při teplotě 25 °C. Skutečná životnost baterie se může lišit v závislosti na různých podmínkách.
3. Náš nový solární panel SwitchBot dokáže pouhé 3 hodiny denně, kdy je vystaven slunečnímu záření, které může vrhat jasný stín, generovat dostatek energie, aby udržel váš SwitchBot Curtain 3 navždy.

Modernizovaný solární panel výrazně zlepšil účinnost i při slabém slunečním světle. Pokud na vaše okno může dopadat sluneční světlo, doporučujeme zakoupit náš solární panel pro nabíjení zařízení. Tímto způsobem zajistíte, že váš SwitchBot Curtain 3 zůstane napájen a připraven k použití, kdykoli jej budete potřebovat.

Aktualizace firmwaru

V zájmu zlepšení uživatelských zkušeností budeme pravidelně vydávat aktualizace firmwaru, abychom zavedli nové funkce a vyřešili případné softwarové závady, které se mohou vyskytnout během používání. Jakmile bude k dispozici nová verze firmwaru, zašleme vám prostřednictvím naší aplikace na váš účet oznámení o aktualizaci. Při aktualizaci se ujistěte, že má váš výrobek dostatečnou kapacitu baterie, a ujistěte se, že je váš chytrý telefon v dosahu, aby nedocházelo k rušení.

Obnovení továrního nastavení



Pomocí dodaného nástroje pro resetování stiskněte a podržte tlačítko Reset na 3 sekundy, dokud se nerozsvítí kontrolka, a poté jej uvolněte.

Specifikace

| | |
|--|---|
| Barva | Bílá |
| Materiál | ABS + PC (Anti-UV, stupeň požární odolnosti V-0) |
| Velikost (hlavní jednotka) | 42 x 51 x 173 mm (1,7 x 2 x 6,8 palce) |
| Hmotnost (hlavní jednotka) | 280 g (9,9 oz.) |
| Power | Typ C, DC 5V \equiv 1A, 3350 mAh lithium-iontová baterie nebo solární panel |
| Životnost baterie | 8 měsíců nebo neomezeně se solárním panelem |
| Připojení k síti | Bluetooth 5.0, dlouhý dosah přenosu |
| Síla | Podporovat závěs o hmotnosti až 15 kg (33 liber) (formou kontrolovaných experimentů v naší laboratoři). |
| Max Runway | 3 m (9,8 ft) |
| Plán | Až 5 nebo neomezeně s rozbočovačem SwitchBot Hub |
| Hlasové ovládání (nutný rozbočovač SwitchBot) | Amazon Alexa, Google Assistant, Siri Shortcuts, SmartThings, IFTTT |

Upozornění: doporučujeme používat zařízení pouze při pokojové teplotě.

1. Solární panel SwitchBot se prodává samostatně.
2. Životnost baterie byla testována za podmínek otevírání a zavírání závěsu o hmotnosti 8 kg na dráze dlouhé 3 metry jednou denně při teplotě 25 °C. Skutečná životnost baterie se může lišit.
3. Rozbočovač SwitchBot se prodává samostatně.

Záruční podmínky

Na nový výrobek zakoupený v prodejní síti Alza.cz se vztahuje záruka 2 roky. V případě potřeby opravy nebo jiného servisu v záruční době se obraťte přímo na prodejce výrobku, je nutné předložit originální doklad o koupi s datem nákupu.

Za rozpor se záručními podmínkami, pro který nelze reklamaci uznat, se považují následující skutečnosti:

- Používání výrobku k jinému účelu, než pro který je výrobek určen, nebo nedodržování pokynů pro údržbu, provoz a servis výrobku.
- Poškození výrobku živelnou pohromou, zásahem neoprávněné osoby nebo mechanicky vinou kupujícího (např. při přepravě, čištění nevhodnými prostředky apod.).
- přirozené opotřebení a stárnutí spotřebního materiálu nebo součástí během používání (např. baterií atd.).
- Působení nepříznivých vnějších vlivů, jako je sluneční záření a jiné záření nebo elektromagnetické pole, vniknutí kapaliny, vniknutí předmětu, přepětí v síti, elektrostatický výboj (včetně blesku), vadné napájecí nebo vstupní napětí a nevhodná polarita tohoto napětí, chemické procesy, např. použité zdroje atd.
- Pokud někdo provedl úpravy, modifikace, změny konstrukce nebo adaptace za účelem změny nebo rozšíření funkcí výrobku oproti zakoupené konstrukci nebo použití neoriginálních součástí.

WEEE

Tento výrobek nesmí být likvidován jako běžný domovní odpad v souladu se směrnicí EU o odpadních elektrických a elektronických zařízeních (WEEE - 2012/19/EU). Místo toho musí být vrácen na místo nákupu nebo předán na veřejné sběrné místo recyklovatelného odpadu. Tím, že zajistíte správnou likvidaci tohoto výrobku, pomůžete předejít možným negativním důsledkům pro životní prostředí a lidské zdraví, které by jinak mohly být způsobeny nevhodným nakládáním s odpadem z tohoto výrobku. Další informace získáte na místním úřadě nebo na nejbližším sběrném místě. Nesprávná likvidace tohoto typu odpadu může mít za následek pokuty v souladu s vnitrostátními předpisy.



Vážený zákazník,

ďakujeme vám za zakúpenie nášho výrobku. Pred prvým použitím si pozorne prečítajte nasledujúce pokyny a uschovajte si tento návod na použitie pre budúce použitie. Venujte osobitnú pozornosť bezpečnostným pokynom. Ak máte akékoľvek otázky alebo pripomienky k zariadeniu, obráťte sa na zákaznícku linku.

✉ www.alza.sk/kontakt

☎ +421 257 101 800

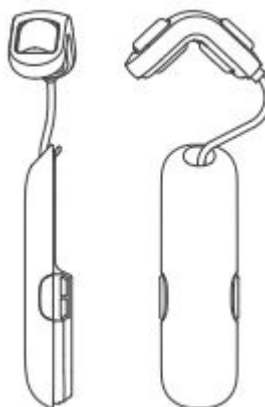
Dovozca Alza.cz a.s., Jankovcova 1522/53, Holešovice, 170 00 Praha 7, www.alza.cz

Pred použitím zariadenia si pozorne prečítajte túto používateľskú príručku.

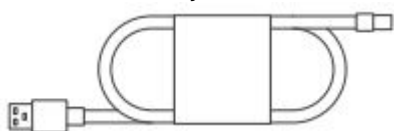
Obsah balenia



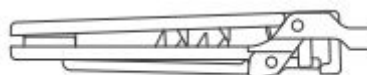
Hlavná jednotka



Pár háčikov (tyč)



Kábel typu C



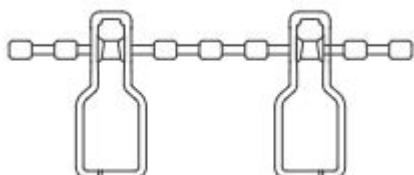
Klip



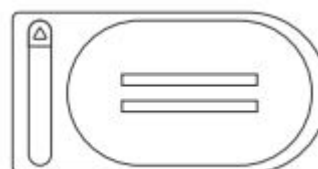
Nástroj na resetovanie



Vlhká utierka

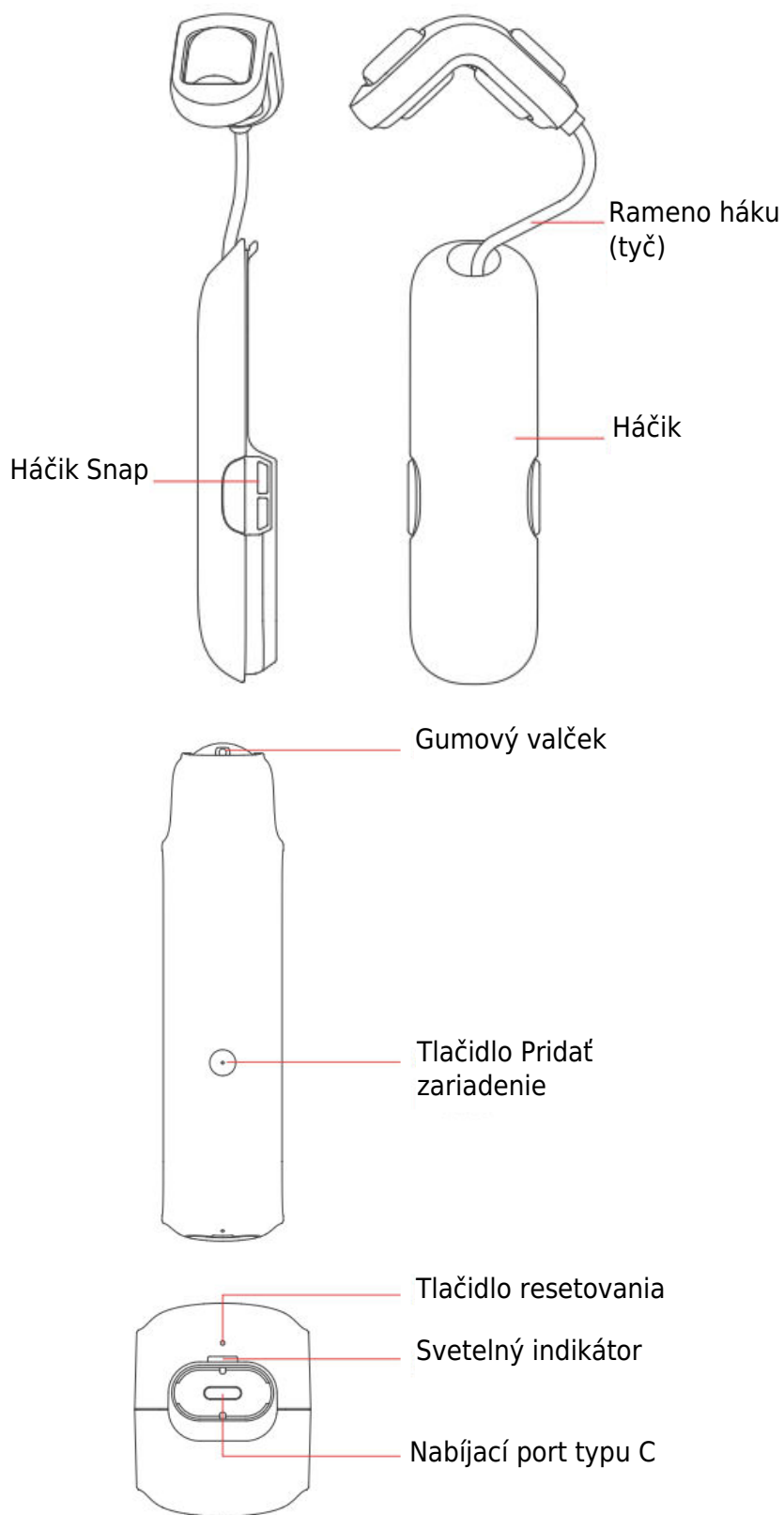


Fixátor korálok (korálky sú nainštalované)



Magnetický nastaviteľ (na polohovanie)

Zoznam komponentov



Príprava

- Smartfón alebo tablet s rozhraním Bluetooth 4.2 alebo novším.
- Najnovšia verzia našej aplikácie, ktorú si môžete stiahnuť z obchodu Apple App Store alebo Google Play Store.
- Účet Switch Bot, ktorý si môžete zaregistrovať prostredníctvom našej aplikácie alebo sa prihlásiť priamo do svojho účtu, ak ho už máte.
- Plne nabitý SwitchBot Curtain 3.

Poznámka: Ak chcete na hlasové ovládanie používať službu Cloud Service, budete potrebovať rozbočovač SwitchBot (predáva sa samostatne).



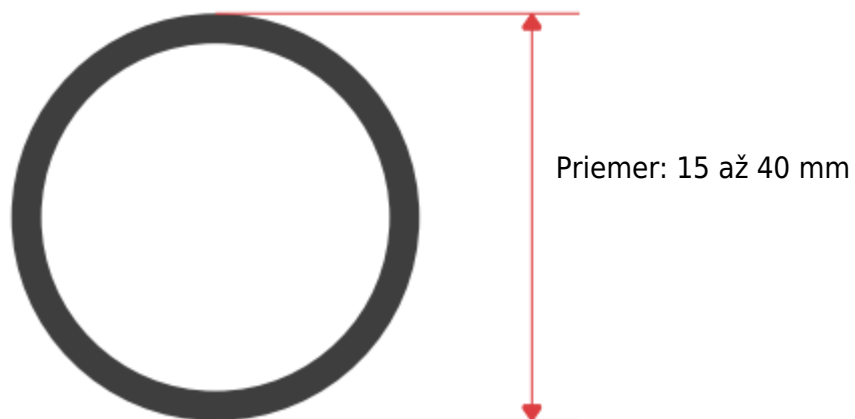
iOS 11.0+



Android OS 5.0+

Skontrolujte dráhu záclony

SwitchBot Curtain 3 Rod podporuje záclonovú dráhu s nasledujúcimi rozmermi:



Ak tyč na záclony SwitchBot 3 nepasuje na vašu záclonovú dráhu, kontaktujte našu zákaznícku podporu na adrese support@switch-bot.com.

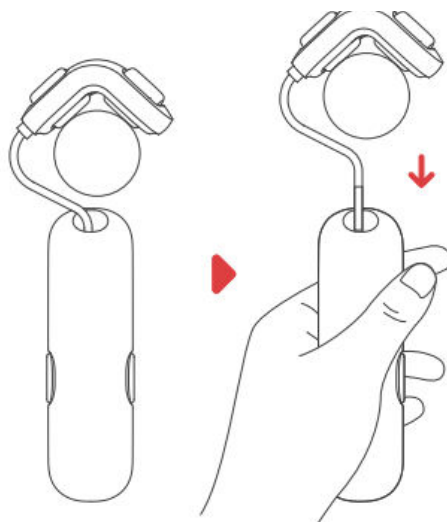
Inštalácia

Krok 1: Pridajte tyč SwitchBot Curtain 3 do našej aplikácie.

Otvorte našu aplikáciu a prihláste sa do svojho konta. Ťuknite na "+" v pravom hornom rohu domovskej stránky, vyhľadajte ikonu opony a vyberte. Potom podľa pokynov pridajte tyč SwitchBot Curtain 3.

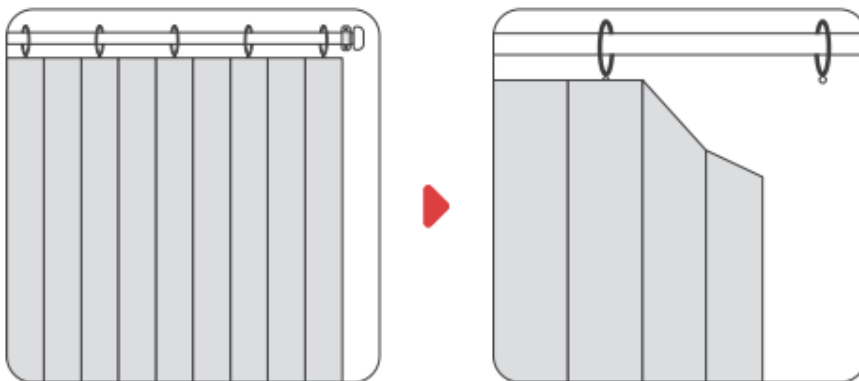
Krok 2: Nainštalujte tyč SwitchBot Curtain 3 na záclonovú dráhu.

Roztiahnuteľné rameno háku

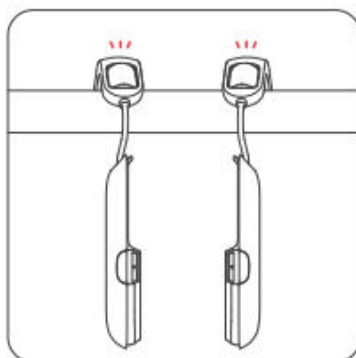


Ring Top Záclony

1. Úplne zatiahnite záclonu a odstráňte prvý háčik na záclonu z krúžku.

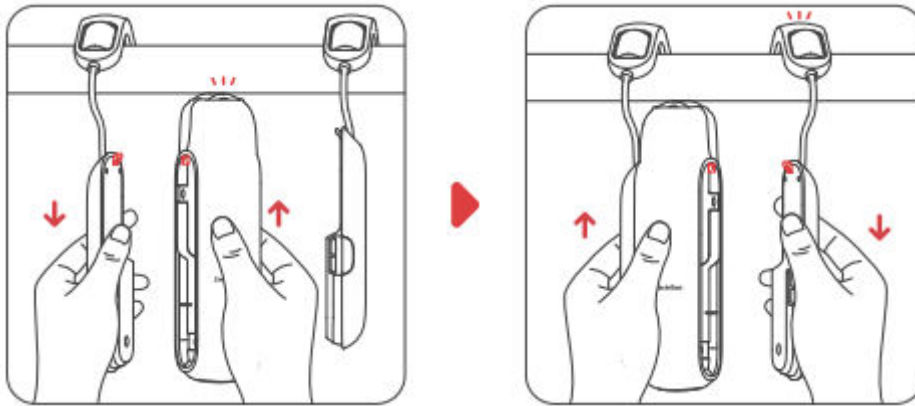


2. Na záclonovú tyč medzi prvý a druhý krúžok nainštalujte postupne dva odnímateľné háčiky.

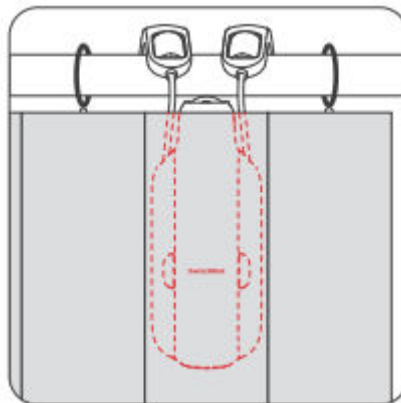


3. Jednou rukou potiahnite jeden odnímateľný háčik smerom nadol a druhou rukou držte hlavnú jednotku (s logom SwitchBot smerom dovnútra) nahor proti tyči. Zarovnajte západky a pripojte hlavnú jednotku k háku. Po pevnom pripevnení budete počuť cvaknutie. Potom k hlavnej jednotke pripevníte ďalší háčik.

Upozornenie: pri ťahaní háčika smerom nadol nevyvíjajte nadmernú silu bez podopretia tyče, inak sa môže tyč zlomiť alebo oddeliť od steny.

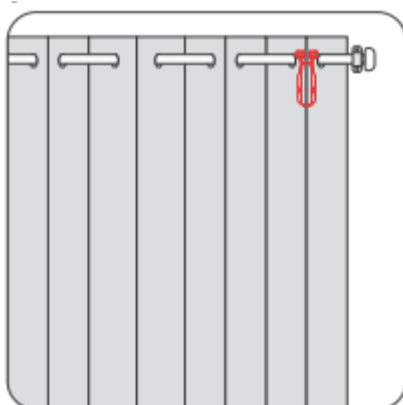


4. Nastavte tyč SwitchBot Curtain 3 tak, aby bola kolmo k zemi. Zavesťte záclonu späť na miesto a ukryte tyč SwitchBot Curtain 3 Rod za látku záclony.

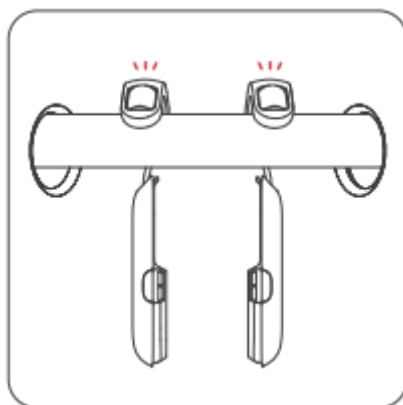


Priechodkové záclony

1. Nainštalujte tyč SwitchBot Curtain 3 na zadnú stranu tohto typu záclony.

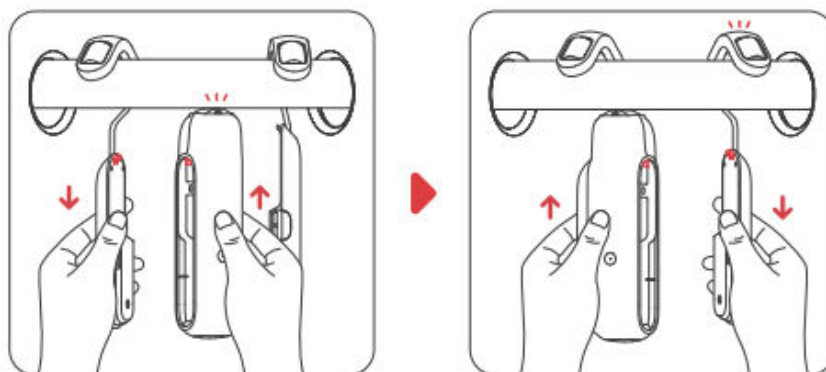


2. Na záclonovú tyč medzi prvý a druhý krúžok nainštalujte postupne dva odnímateľné háčiky.

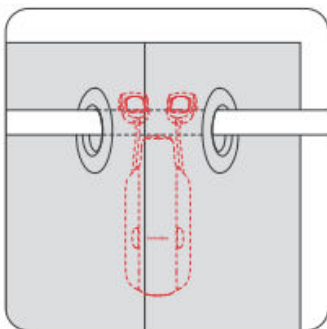


3. Jednou rukou potiahnite jeden odnímateľný háčik smerom nadol a druhou rukou pridržte hlavnú jednotku (s logom SwitchBot smerom dovnútra) smerom nahor k tyči. Zarovnajte západky a pripojte hlavnú jednotku k háku. Po pevnom pripevnení budete počuť cvaknutie. Potom k hlavnej jednotke pripevnite ďalší háčik.

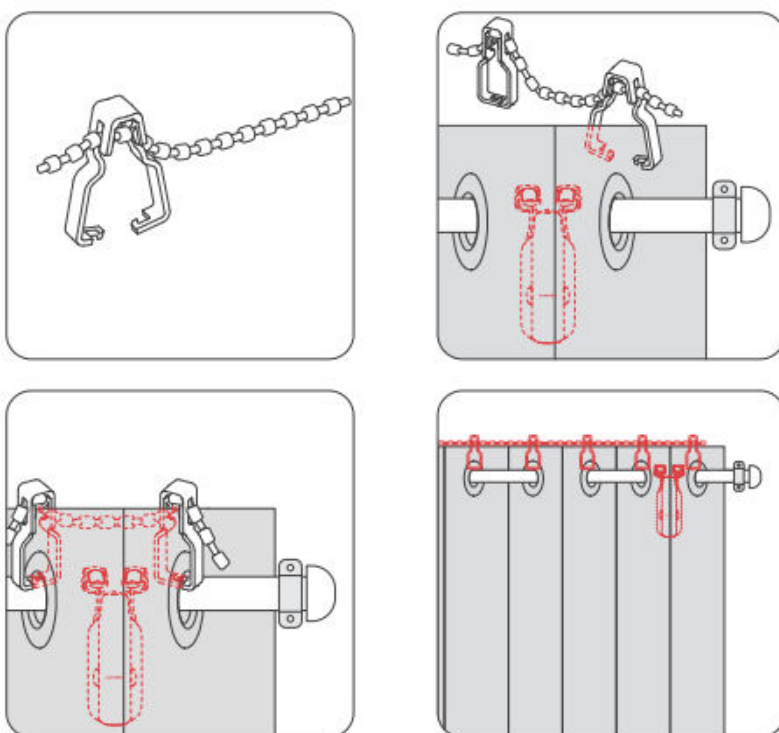
Upozornenie: pri ťahaní háčika smerom nadol nevyvíjajte nadmernú silu bez podopretia tyče, inak sa môže tyč zlomiť alebo oddeliť od steny.



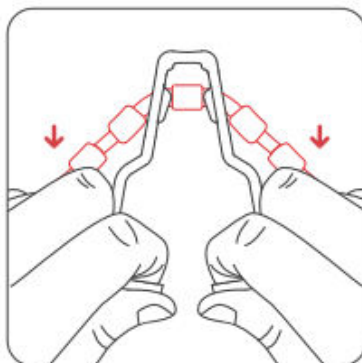
4. Nastavte tyč SwitchBot Curtain 3 tak, aby bola kolmo k zemi.



5. Podľa nasledujúceho obrázka nainštalujte fixátor korálikov (s nainštalovanými korálikmi) do hornej časti priechodiek. Uistite sa, že ste ich pevne pripevnili k priechodkám. Nakoniec odstrihnite zvyšné korálky alebo ich umiestnite za závesy.

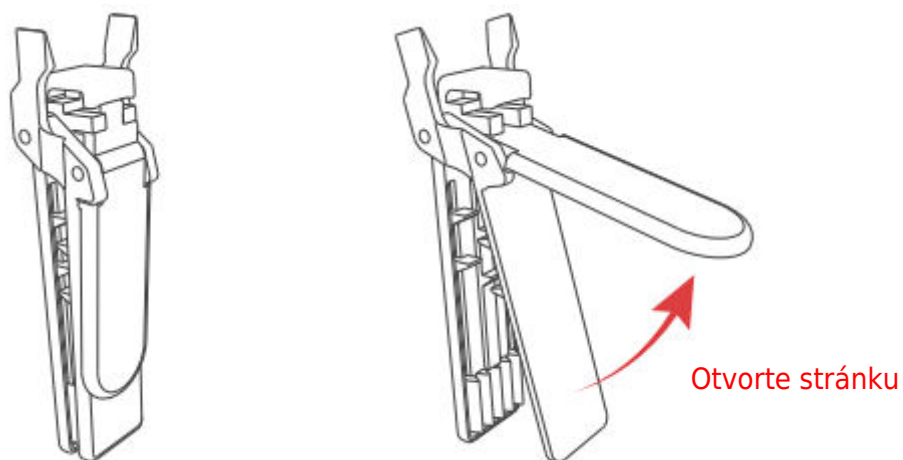


Ak vzdialenosť medzi klipmi nevyhovuje vašim záclonám, môžete ich upraviť podľa nasledujúceho obrázka.

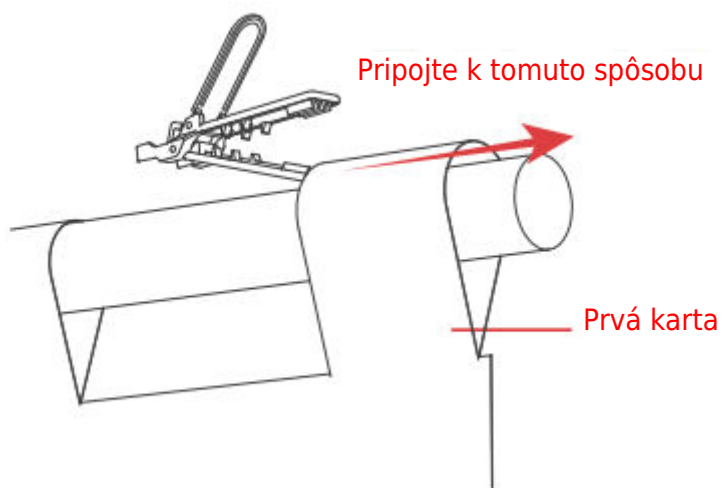


Tab Top záclony

Pomocou priložených klipov môžete nainštalovať tyč SwitchBot Curtain 3 na záložkové závesy.

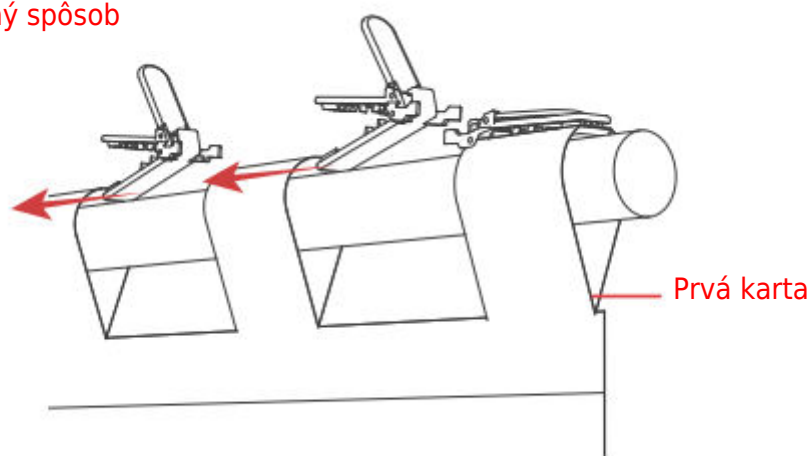


Zatvorte záclonu a na prvý záložku pripevnite sponu.

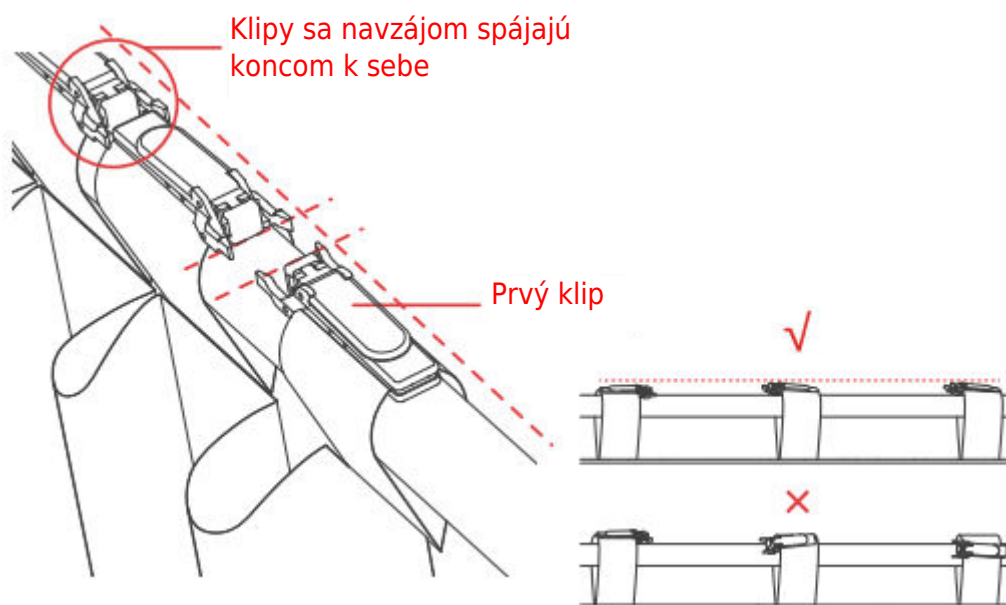


Pripevnite zostávajúce svorky na ostatné záložky, ako je znázornené na obrázku.

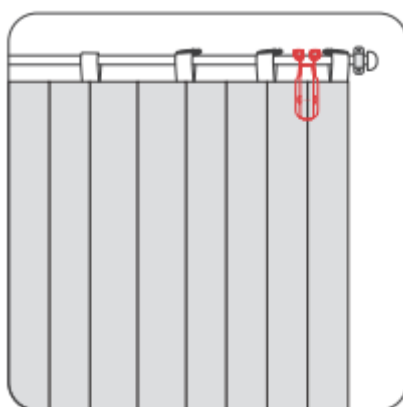
Opačný spôsob



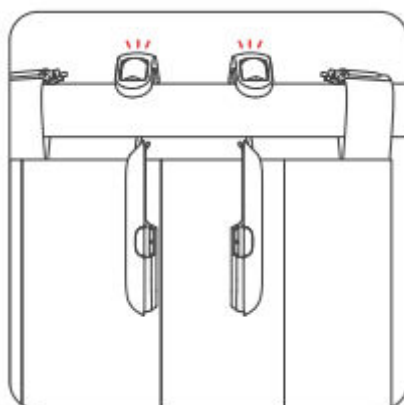
Dajte pozor, aby boli všetky ostatné svorky pripevnené opačne ako prvá svorka, uistite sa, že všetky svorky sedia na hornej časti tyče a sú navzájom zarovnané.



1. Nainštalujte tyč SwitchBot Curtain 3 na zadnú stranu tohto typu záclony.

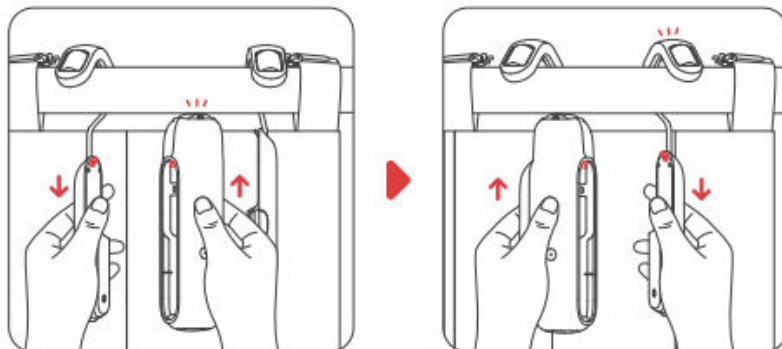


2. Na záclonovú tyč medzi prvý a druhý krúžok nainštalujte postupne dva odnímateľné háčiky.

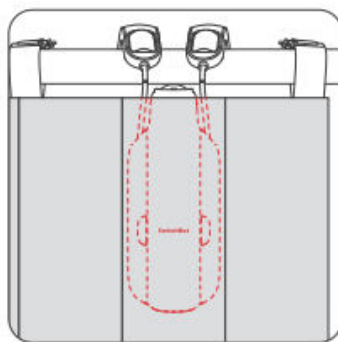


3. Jednou rukou potiahnite jeden odnímateľný háčik smerom nadol a druhou rukou pridržte hlavnú jednotku (s logom SwitchBot smerom dovnútra) nahor k tyči. Zarovnajte západky a pripojte hlavnú jednotku k háku. Po pevnom pripevnení budete počuť cvaknutie. Potom k hlavnej jednotke pripevníte ďalší háčik.

Upozornenie: pri ťahaní háčika smerom nadol nevyvíjajte nadmernú silu bez podopretia tyče, inak sa môže tyč zlomiť alebo oddeliť od steny.

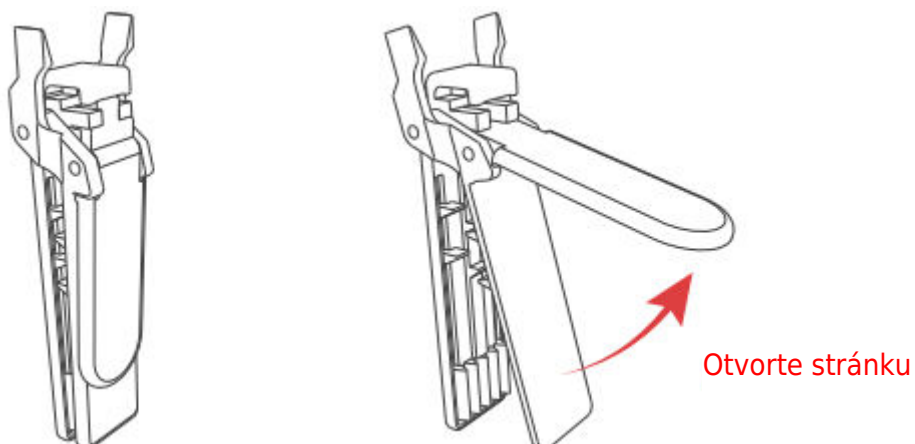


4. Nastavte tyč SwitchBot Curtain 3 tak, aby bola kolmo k zemi.

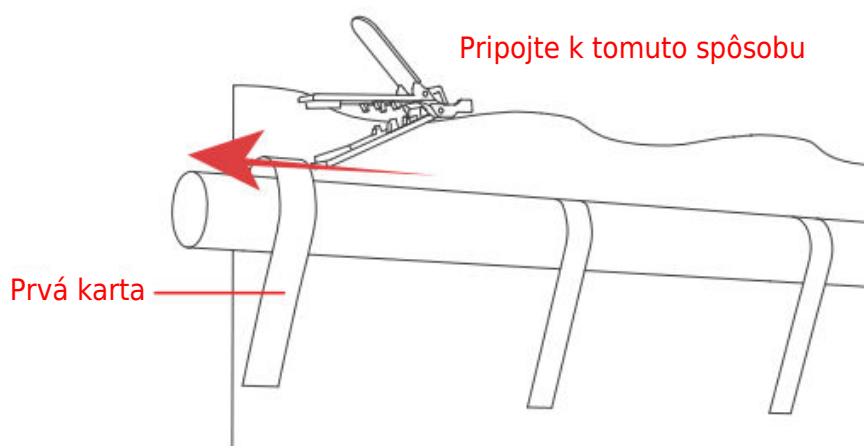


Späť Záclony Tab

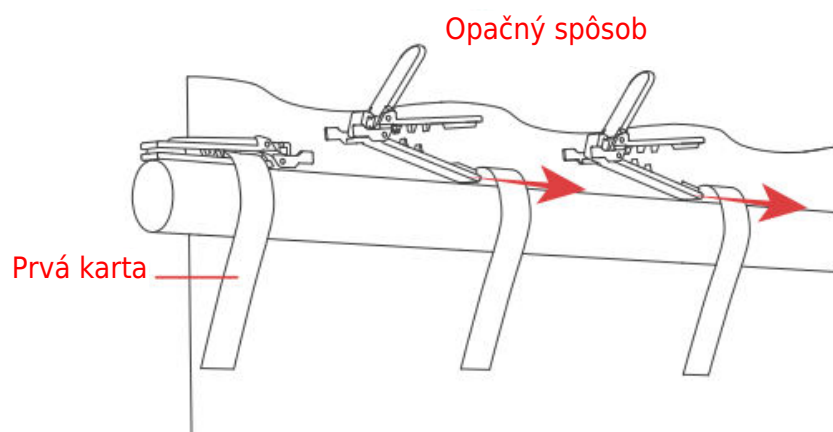
Pomocou priložených klipov môžete záclony SwitchBot Curtain 3 Rod nainštalovať na záclony so zadnou záložkou.



Zatvorte záclonu a na prvý záložku pripevnite sponu.



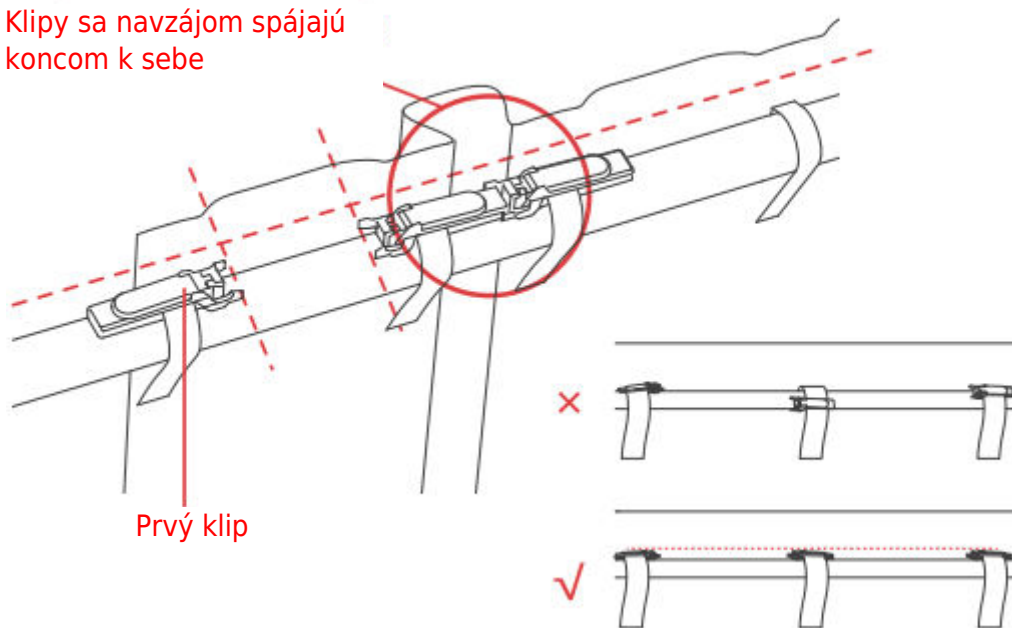
Pripevnite zostávajúce svorky na ostatné záložky, ako je znázornené na obrázku.



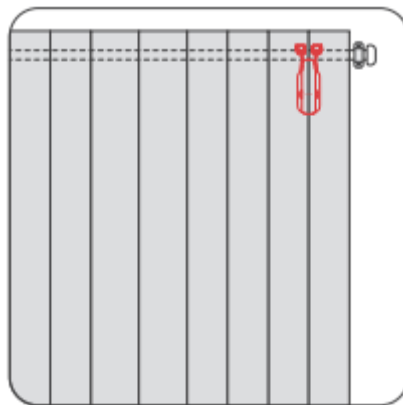
Dajte pozor, aby boli všetky ostatné svorky pripevnené opačne ako prvá svorka, uistite sa, že všetky svorky sedia na hornej časti tyče a sú navzájom zarovnané.

Pohľad zhora

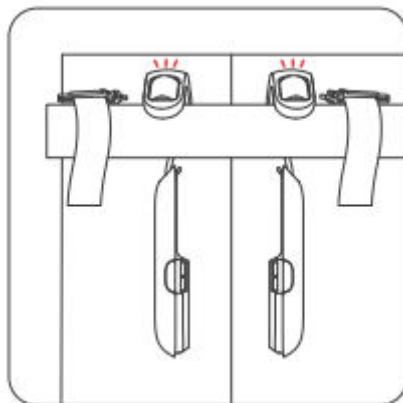
Klipy sa navzájom spájajú koncom k sebe



1. Nainštalujte tyč SwitchBot Curtain 3 na zadnú stranu tohto typu záclony.

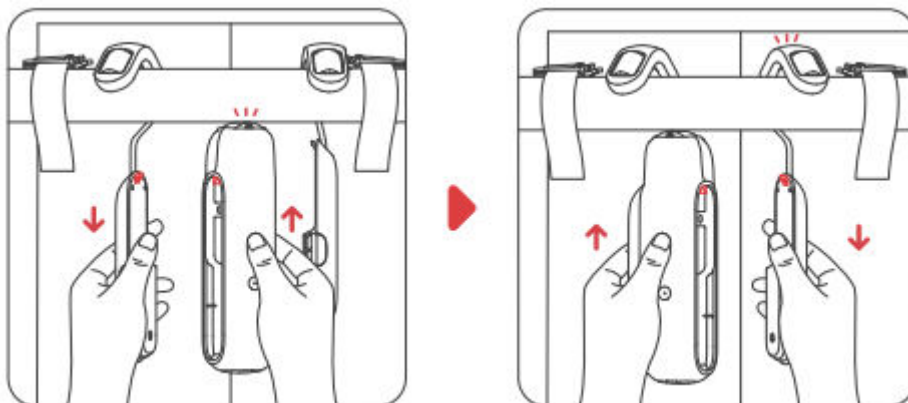


2. Na záclonovú tyč medzi prvý a druhý krúžok nainštalujte postupne dva odnímateľné háčiky.

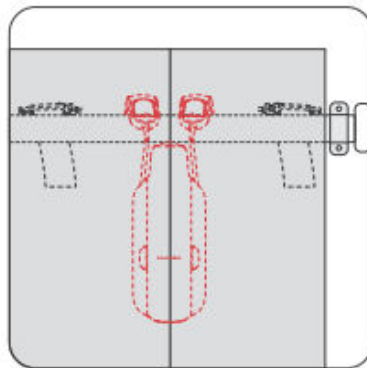


3. Jednou rukou potiahnite jeden odnímateľný hák smerom nadol a druhou rukou držte hlavnú jednotku (s logom SwitchBot smerom dovnútra) nahor proti tyči. Zarovnajte západky a pripojte hlavnú jednotku k háku. Po pevnom pripevnení budete počuť cvaknutie. Potom k hlavnej jednotke pripevnite ďalší háčik.

Upozornenie: pri ťahaní háčika smerom nadol nevyvíjajte nadmernú silu bez podopretia tyče, inak sa môže tyč zlomiť alebo oddeliť od steny.



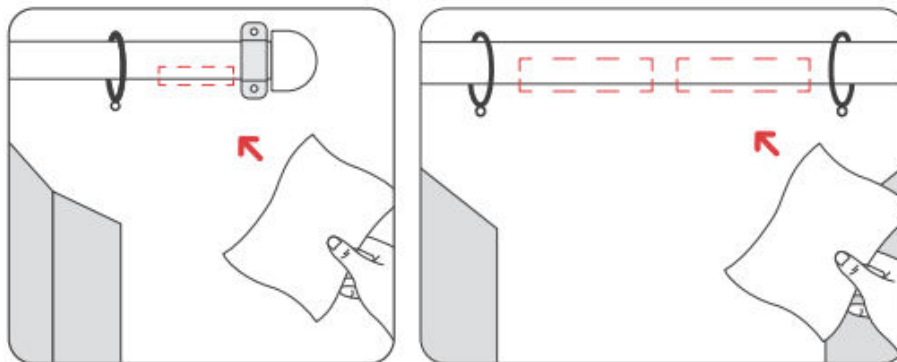
4. Nastavte tyč SwitchBot Curtain 3 tak, aby bola kolmo k zemi.



Krok 3: Inštalácia magnetu

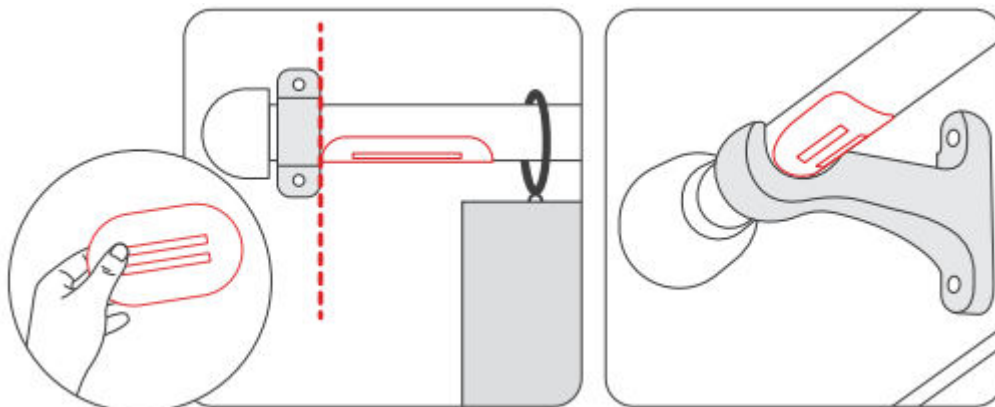
Magnetický nástavec pomôže vášmu tyčovému ovládaču SwitchBot Curtain 3 Rod v budúcej prevádzke presne zatiahnuť záclony. Pri inštalácii magnetického nástavca pred kalibráciou trasy postupujte podľa nižšie uvedených krokov.

Aby ste zabezpečili pevné pripevnenie magnetického nástavca k povrchu dráhy, najprv použite priloženú vlhkú utierku na očistenie povrchu. Prach alebo nečistoty ovplyvnia priľnavosť a môžu neskôr spôsobiť odpadnutie.



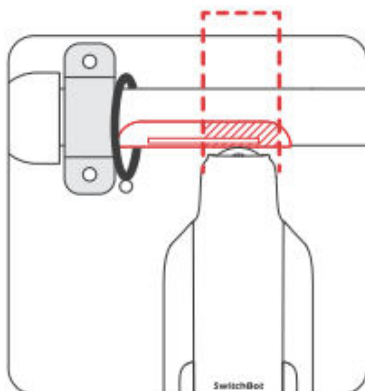
Situácia 1: Držiak tyče drží tyč v zatvorenej polohe.

1. Odstráňte magnetový nástavec z vložky. Prilepte ho na spodnú časť cesty pozdĺž držiaka, pričom kúsok magnetu musí byť vo vnútri rovnobežný s tyčou.
Ak používate obojstranné závesy, nalepte dva magnetické nástavce pozdĺž oboch strán stredového držiaka symetricky.

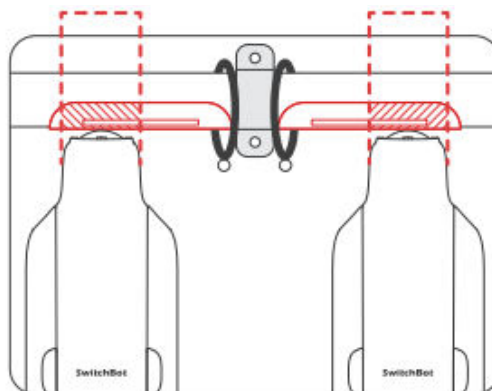


2. Vytiahnite tyč SwitchBot Curtain 3, namontujte ju na magnetický nástavec a zastavte v oblasti, ako je znázornené na obrázku.

Oblasť, v ktorej sa má valček zastaviť

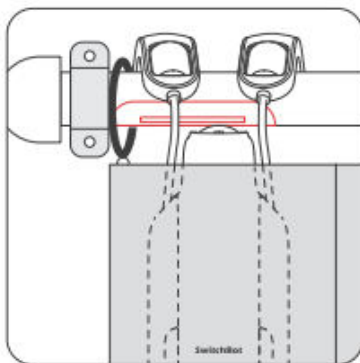


Jednostranná záclona s ľavým zatváraním

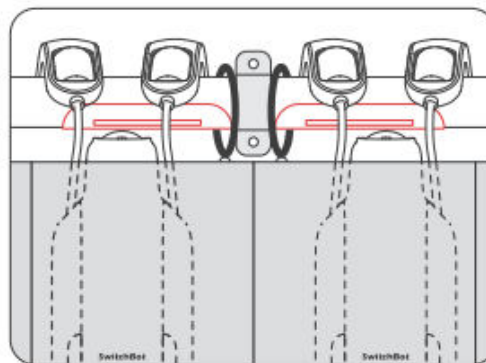


Obojstranný záves

3. Na záver schovajte tyč SwitchBot Curtain 3 za látkový záves.



Jednostranná záclona s ľavým zatváraním

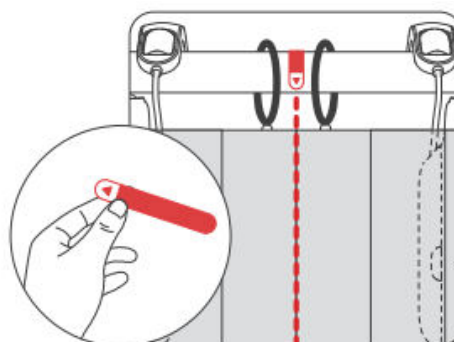
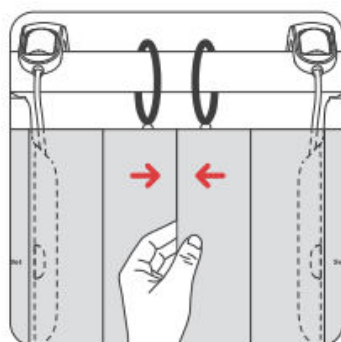


Obojstranný záves

Situácia 2: Obojstranné záclony bez držiaka uprostred

1. Úplne zatahnite závesy. Pomocou červenej dlhej nálepky označte stredovú polohu.

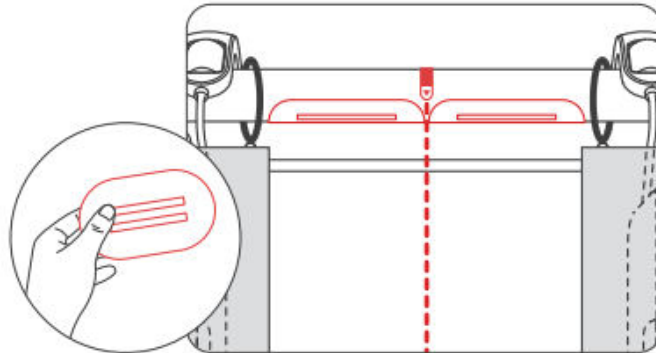
Upozornenie: meranie polohy len očami môže spôsobiť odchýlku. Nezabudnite použiť priloženú nálepku.



2. Roztiahnite závesy. Odlepte pásky z magnetových nastavcov a symetricky ich nalepte po oboch stranách prerušovanej čiary.

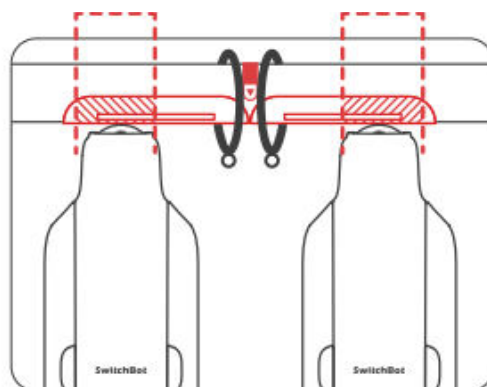
Upozornenie:

- a. Dva magnetické nastavce musia byť blízko pri sebe a obopínať tyč v spodnej časti.
- b. Magnety vo vnútri nastavcov musia byť rovnobežné s tyčou.

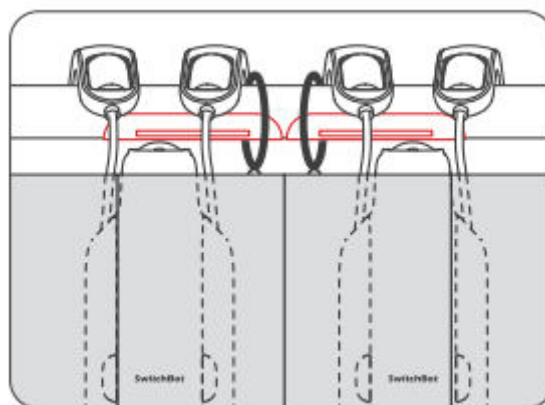


3. Vytiahnite svoje dve zariadenia SwitchBot Curtain 3 Rod samostatne, namontujte ich na magnetický nastavec a zastavte v oblasti, ako je znázornené na obrázku.

Oblasť, v ktorej sa má valec zastaviť



4. Odstráňte červenú nálepku. Na záver schovajte tyč SwitchBot Curtain 3 za textilné závesy.



Krok 4: Kalibrácia

Po pridaní nainštalovaného zariadenia SwitchBot Curtain 3 je potrebné zariadenie nakalibrovať a nastaviť jeho trasu na dráhe záclony. Postupujte podľa pokynov v našej aplikácii, aby ste sa uistili, že skutočný pohyb vášho závesu je rovnaký ako animácia v aplikácii. Kedykoľvek sa môžete rozhodnúť pre opätovnú kalibráciu zariadenia alebo zmenu smeru jeho otvárania, a to tak, že prejdete do ponuky Curtain (Záclona) > Settings (Nastavenia) > Calibration (Kalibrácia).

Upozornenie: Ak plánujete otvárať závesy zo stredu, môžete zoskupiť dve zariadenia SwitchBot Curtain 3. Pred kalibráciou sa uistite, že pozície oboch zariadení sú rovnaké, ako je zobrazené v našej aplikácii.

Metódy kontroly

Ovládanie aplikácie

Závesy môžete otvárať a zatvárať jednoduchým ťuknutím na tlačidlo. Ponúkame intuitívne ovládanie aplikácie pre používateľov systémov iOS a Android s týždennými/dvojtýždňovými aktualizáciami. K dispozícii sú aj aktualizácie firmvéru OTA, ktoré vám poskytnú lepší používateľský zážitok.

Dotkni sa a chod'

Keď SwitchBot Curtain 3 zistí, že zatiahnete záclony (vzdialenosť väčšia ako 5 cm), zariadenie sa automaticky otvorí alebo zatvorí v závislosti od toho, kde sa zariadenie nachádza. V prípade obojstranných závesov musíte na aktiváciu zatiahnuť za jednu stranu.

Poznámka: túto funkciu môžete kedykoľvek vypnúť na stránke Rozšírené nastavenia zariadenia.

5 cm znižuje možnosť falošného spustenia cudzími predmetmi, domácimi zvieratami, deťmi atď.

Automatizácia domácnosti pomocou hlasových príkazov*

K účtu SwitchBot môžete pripojiť viacero inteligentných asistentov tretích strán a ovládať tak záclonu SwitchBot 3 alebo spúšťať scény pomocou hlasových príkazov.

Ako realizovať hlasové ovládanie a automatizáciu domácnosti:

- Pripojte svoj smartfón alebo stôl k internetu.
- Nastavenie rozbočovača SwitchBot (predáva sa samostatne)
- Zapnutie cloudových služieb prostredníctvom stránky SwitchBot Curtain 3 Settings.
- Prepojenie služieb tretích strán s kontom SwitchBot.

Alexa, close the curtains.

Hey Google, close my bedroom curtains.

Hey Siri, open the living room curtains.

SwitchBot Hub vyžaduje (predáva sa samostatne)

Používanie zariadenia s ovládačom SwichBot Remote



Bezdrôtový diaľkový ovládač, ktorý môžete umiestniť kamkoľvek.

SwitchBot Curtain 3 môžete ovládať aj pomocou diaľkového ovládača SwitchBot Remote (predáva sa samostatne) s dvoma tlačidlami umiestnenými na diaľkovom ovládači, ktoré možno nastaviť ako akciu prostredníctvom našej aplikácie. Jedným diaľkovým ovládačom môžete ovládať aj 2 zariadenia SwitchBot Curtain 3, ktoré boli zoskupené. Ďalšie informácie nájdete v používateľskej príručke alebo v aplikácii Remote.

Nastavenia zariadenia

Svetelný senzor (solárny panel)

Pripojením záclony SwitchBot 3 k solárnemu panelu SwitchBot (predáva sa samostatne) môžete nastaviť automatizáciu na základe údajov o úrovni osvetlenia. Krivka úrovne osvetlenia vám ukáže optimálny časový úsek slnečného svetla za deň a podľa toho môžete nastaviť automatický plán nabíjania pre váš SwitchBot Curtain 3.

Oneskorenie

Môžete nastaviť oneskorenie akcie odpočítavania vrátane času odpočítavania, percenta otvorenia alebo zatvorenia a režimu pohybu.

Rozvrhy

V zariadení môžete lokálne nastaviť až 5 plánov alebo neobmedzený počet plánov pri použití s rozbočovačom SwitchBot. Môžete nastaviť deň, čas, percento otvorenia alebo zatvorenia a režim pohybu.

Nabíjanie, aktualizácie firmvéru a obnovenie továrenských nastavení

Nabíjanie

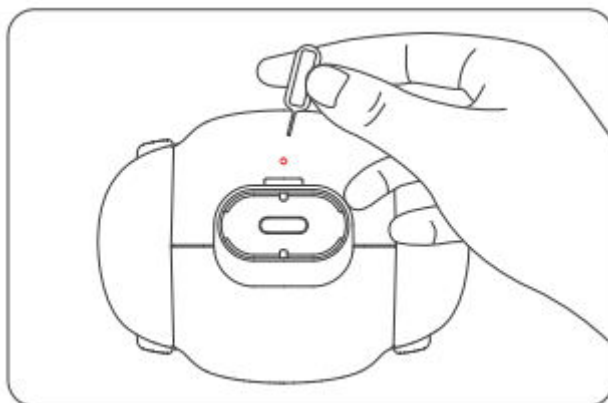
Úplné nabitie batérie zariadenia trvá približne 6,5 hodiny a po jednom úplnom nabití vydrží až 8 mesiacov. Na nabíjanie pomocou slnečného svetla si môžete zakúpiť aj solárny panel SwitchBot.

1. Na nabíjanie zariadenia je potrebný adaptér 5V= 1A.
2. Životnosť batérie sa testuje otváraním a zatváraním 8 kg závesov na 3 m dlhej dráhe raz denne pri teplote 25 °C. Skutočná životnosť batérie sa môže líšiť v závislosti od rôznych podmienok.
3. Náš nový solárny panel SwitchBot dokáže len 3 hodiny denne vystavený slnečnému žiareniu, ktoré môže vrhnúť jasný tieň, generovať dostatok energie na to, aby udržal váš SwitchBot Curtain 3 navždy.
Modernizovaný solárny panel výrazne zlepšil účinnosť aj pri slabom slnečnom svetle. Pokiaľ vaše okno môže prijímať slnečné svetlo, odporúčame zakúpiť náš solárny panel na nabíjanie zariadenia. Takto si môžete zabezpečiť, že váš SwitchBot Curtain 3 zostane napájaný a pripravený na použitie, kedykoľvek ho budete potrebovať.

Aktualizácie firmvéru

V záujme zlepšenia používateľských skúseností budeme pravidelne vydávať aktualizácie firmvéru, aby sme zaviedli nové funkcie a vyriešili všetky softvérové chyby, ktoré sa môžu vyskytnúť počas používania. Keď bude k dispozícii nová verzia firmvéru, pošleme vám prostredníctvom našej aplikácie oznámenie o aktualizácii do vášho účtu. Pri aktualizácii sa uistite, že váš výrobok má dostatočnú kapacitu batérie, a uistite sa, že váš smartfón je v dosahu, aby ste zabránili rušeniu.

Obnovenie továrenských nastavení



Pomocou dodaného nástroja na resetovanie stlačte a podržte tlačidlo Reset na 3 sekundy, kým sa nezobrazí kontrolka, a potom ho uvoľnite.

Špecifikácia

| | |
|---|--|
| Farba | Biela |
| Materiál | ABS + PC (Anti-UV, stupeň požiarnej odolnosti V-0) |
| Veľkosť (hlavná jednotka) | 42 x 51 x 173 mm (1,7 x 2 x 6,8 palca) |
| Hmotnosť (hlavná jednotka) | 280 g (9,9 oz) |
| Napájanie | Typ C, DC 5V $\overline{=}$ 1A, 3350 mAh lítium-iónová batéria alebo solárny panel |
| Životnosť batérie | 8 mesiacov alebo neobmedzene so solárnym panelom |
| Pripojenie k sieti | Bluetooth 5.0, prenos na dlhé vzdialenosti |
| Síla | Podporný záves do 15 kg (33 libier) (formou kontrolovaných experimentov v našom laboratóriu) |
| Max Runway | 3 m (9,8 ft) |
| Plán | Až 5 alebo neobmedzene s rozbočovačom SwitchBot |
| Hlasové ovládanie (vyžaduje sa rozbočovač SwitchBot) | Amazon Alexa, Google Assistant, Siri Shortcuts, SmartThings, IFTTT |

Upozornenie: odporúčame používať zariadenie len pri izbovej teplote.

1. Solárny panel SwitchBot sa predáva samostatne.
2. Životnosť batérie sa testovala v podmienkach otvárania a zatvárania závesu s hmotnosťou 8 kg (17 libier) na 3 m dlhej dráhe raz denne pri teplote 25 °C. Skutočná životnosť batérie sa môže líšiť.
3. Rozbočovač SwitchBot sa predáva samostatne.

Záručné podmienky

Na nový výrobok zakúpený v predajnej sieti Alza.cz sa vzťahuje záruka 2 roky. V prípade potreby opravy alebo iných služieb počas záručnej doby sa obráťte priamo na predajcu výrobku, je potrebné predložiť originálny doklad o kúpe s dátumom nákupu.

Za rozpor so záručnými podmienkami, pre ktorý nemožno uznať uplatnenú reklamáciu, sa považujú nasledujúce skutočnosti:

- Používanie výrobku na iný účel, než na aký je výrobok určený alebo nedodržiavanie pokynov na údržbu, prevádzku a servis výrobku.
- Poškodenie výrobku živelnou pohromou, zásahom neoprávnenej osoby alebo mechanicky vinou kupujúceho (napr. pri preprave, čistení nevhodnými prostriedkami atď.).
- Prírodné opotrebovanie a starnutie spotrebného materiálu alebo komponentov počas používania (napr. batérie atď.).
- Pôsobenie nepriaznivých vonkajších vplyvov, ako je slnečné žiarenie a iné žiarenie alebo elektromagnetické polia, vniknutie tekutín, vniknutie predmetov, prepätie v sieti, elektrostatické výbojové napätie (vrátane blesku), chybné napájacie alebo vstupné napätie a nevhodná polarita tohto napätia, chemické procesy, ako sú použité napájacie zdroje atď.
- Ak niekto vykonal úpravy, modifikácie, zmeny dizajnu alebo adaptáciu s cieľom zmeniť alebo rozšíriť funkcie výrobku v porovnaní so zakúpeným dizajnom alebo použitím neoriginálnych komponentov.

WEEE

Tento výrobok sa nesmie likvidovať ako bežný domový odpad v súlade so smernicou EÚ o odpade z elektrických a elektronických zariadení (OEEZ - 2012/19/EÚ). Namiesto toho sa musí vrátiť na miesto nákupu alebo odovzdať na verejnom zbernom mieste recyklovateľného odpadu. Zabezpečením správnej likvidácie tohto výrobku pomôžete predísť možným negatívnym dôsledkom pre životné prostredie a ľudské zdravie, ktoré by inak mohlo spôsobiť nevhodné nakladanie s odpadom z tohto výrobku. Ďalšie informácie získate na miestnom úrade alebo na najbližšom zbernom mieste. Nesprávna likvidácia tohto druhu odpadu môže mať za následok pokuty v súlade s vnútroštátnymi predpismi.



Kedves vásárló,

Köszönjük, hogy megvásárolta termékünket. Kérjük, az első használat előtt figyelmesen olvassa el az alábbi utasításokat, és őrizze meg ezt a használati útmutatót a későbbi használatra. Fordítson különös figyelmet a biztonsági utasításokra. Ha bármilyen kérdése vagy észrevétele van a készülékkel kapcsolatban, kérjük, forduljon az ügyfélvonalhoz.

✉ www.alza.hu/kapcsolat

☎ +36-1-701-1111

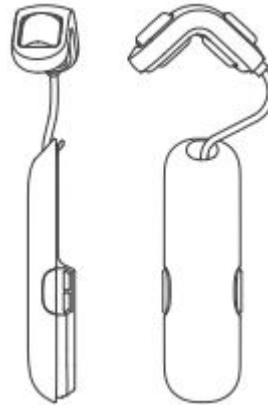
Importőr Alza.cz a.s., Jankovcova 1522/53, Holešovice, 170 00 Prága 7, www.alza.cz

Kérjük, a készülék használata előtt figyelmesen olvassa el ezt a felhasználói kézikönyvet.

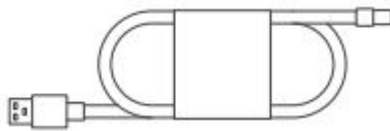
A csomag tartalma



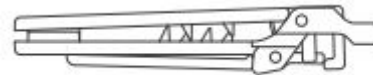
Főegység



Kampó pár (rúd)



C-típusú kábel



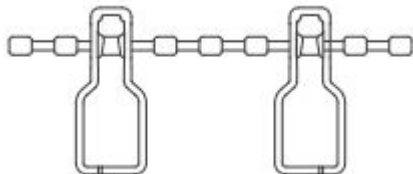
Csipesz



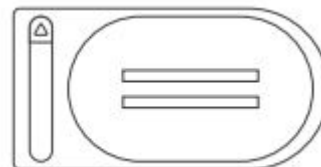
Eszköz visszaállítása tű



Nedves törülőkendő

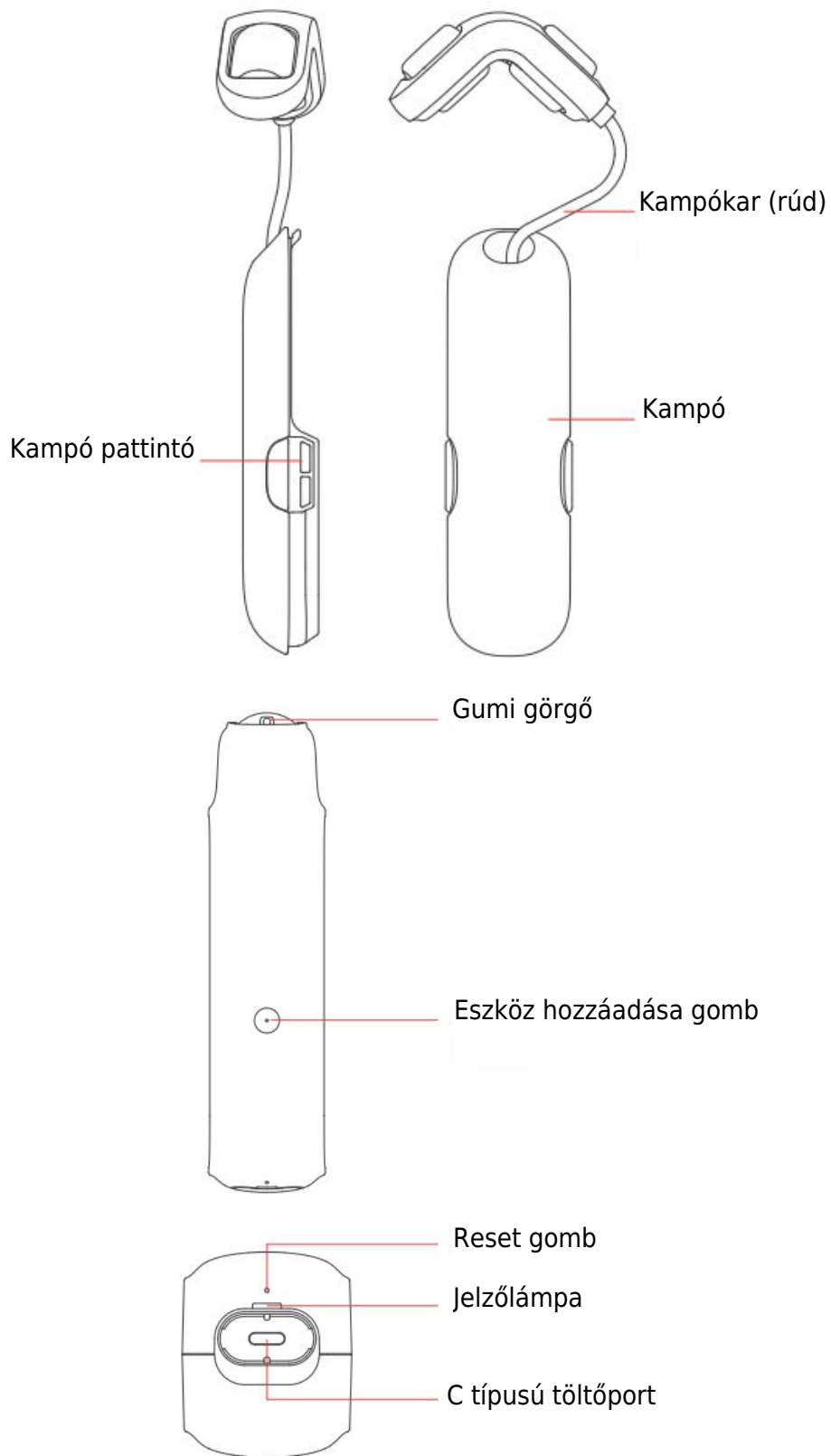


Gyöngyök rögzítője (gyöngyök telepítve)



Mágneses rögzítés (pozicionáláshoz)

Az összetevők listája



Előkészítés

- Bluetooth 4.2-es vagy újabb verziójú okostelefon vagy táblagép.
- Alkalmazásunk legújabb verziója, amely letölthető az Apple App Store-ból vagy a Google Play Store-ból.
- Switch Bot fiók, regisztrálhat az alkalmazásunkon keresztül, vagy közvetlenül a fiókjába jelentkezhet be, ha már rendelkezik ilyennel.
- Egy teljesen feltöltött SwitchBot függöny 3.

Megjegyzés: Ha a hangvezérléshez a felhőszolgáltatást kívánja használni, szüksége lesz egy SwitchBot Hubra (külön megvásárolható).



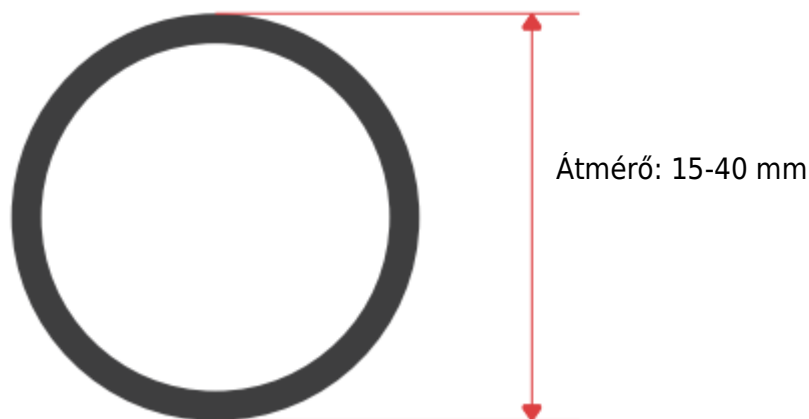
iOS 11.0+



Android OS 5.0+

Ellenőrizze a függőnpályát

A SwitchBot Curtain 3 rúd a következő méretekkel támogatja a függőnpályát:



Ha a SwitchBot Curtain 3 rúd nem illik az Ön függőnpályájához, kérjük, forduljon ügyfélszolgálatunkhoz a support@switch-bot.com e-mail címen.

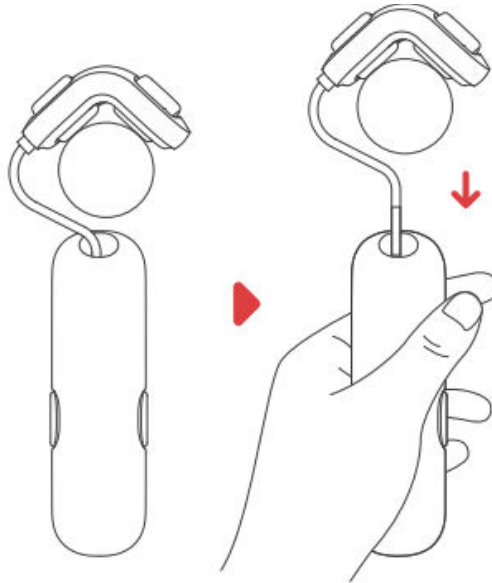
Telepítés

1. lépés: Adja hozzá a SwitchBot Curtain 3 rúdját az alkalmazásunkhoz.

Nyissa meg az alkalmazásunkat, és jelentkezzen be a fiókjába. Koppintson a kezdőlap jobb felső sarkában lévő "+" gombra, keresse meg a Fügöny ikont, és válassza ki. Ezután kövesse az utasításokat a SwitchBot Curtain 3 rúd hozzáadásához.

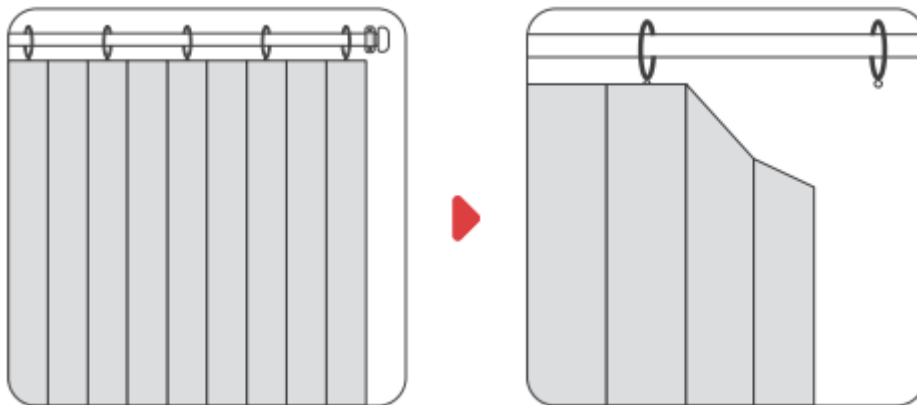
2. lépés: Telepítse a SwitchBot Curtain 3 rudat a függönysínre.

Nyújtható kampókar

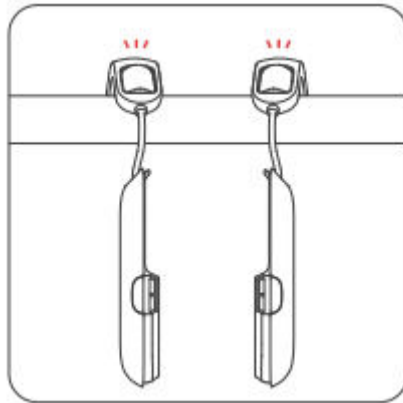


Ring Top függönyök

1. Zárja be teljesen a függönyt, és vegye le az első függönyszegmenst a gyűrűről.

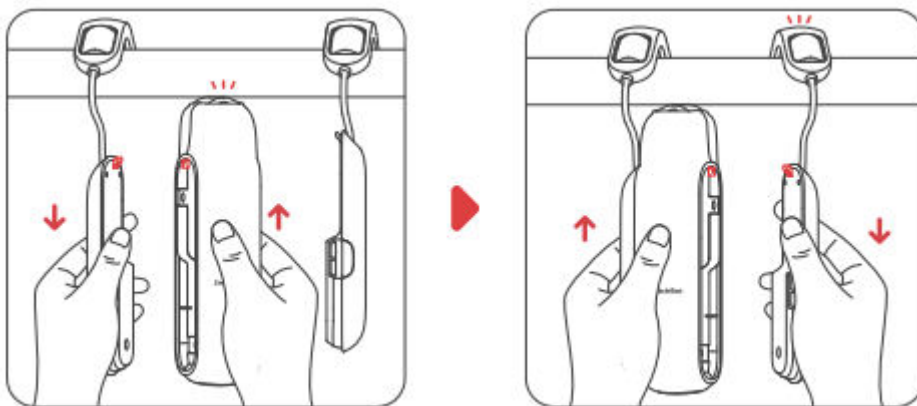


2. Szerelje fel a két levehető kampót egyesével a függönyrúdra az első és a második gyűrű közé.

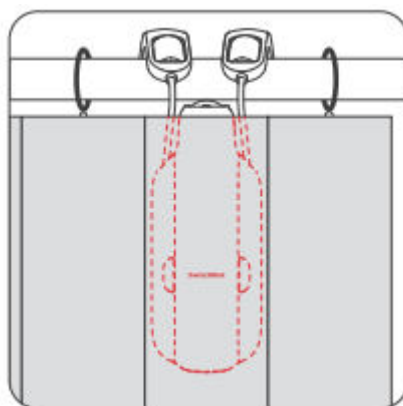


3. Egyik kezével húzza lefelé az egyik levehető kampót, a másik kezével pedig tartsa a főegységet (a SwitchBot logóval a belseje felé) felfelé a rúdhoz. Igazítsa egymás mellé a pattintókat, és rögzítse a Főegységet a Kampóhoz. A szilárd rögzítéskor kattanó hangot fog hallani. Ezután csatlakoztassa a másik Kampót a Főegységhez.

Kérjük, vegye figyelembe: ne alkalmazzon túlzott erőt, amikor a kampót lefelé húzza a rúd alátámasztása nélkül, különben a rúd eltörhet vagy leválhat a falról.

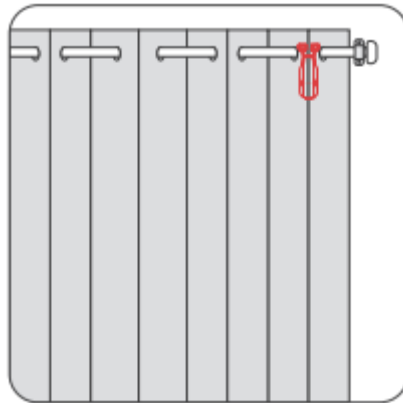


4. Állítsa be a SwitchBot Curtain 3 rúdját úgy, hogy az merőleges legyen a talajra. Akassza vissza a függönyt a helyére, és rejtse a SwitchBot Curtain 3 Rodot a függöny mögé.

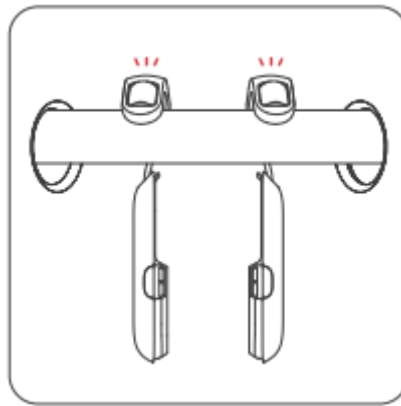


Grommet függönyök

1. Szerelje fel a SwitchBot Curtain 3 rúdját az ilyen típusú függöny hátuljára.

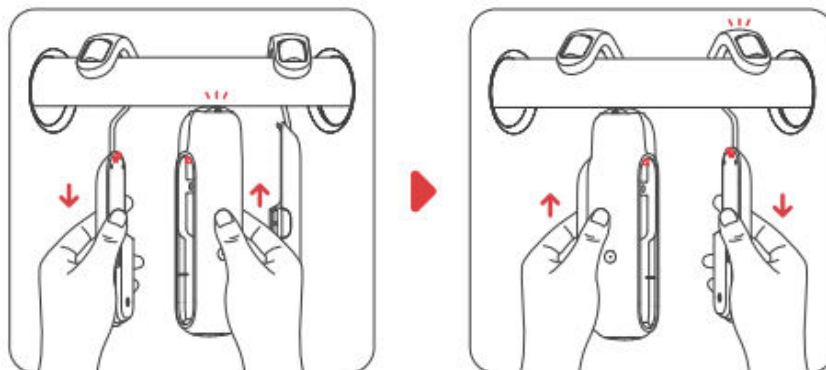


2. Szerelje fel a két levehető kampót egyesével a függönyrúdra az első és a második gyűrű közé.

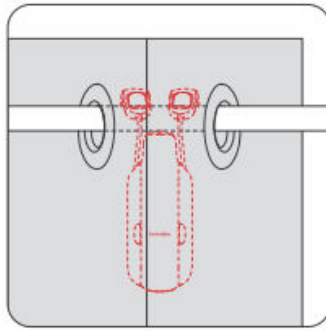


3. Egyik kezével húzza lefelé az egyik levehető kampót, a másik kezével pedig tartsa a főegységet (a SwitchBot logóval a belseje felé) felfelé a rúdhoz. Igazítsa egymás mellé a pattintókat, és rögzítse a Főegységet a Kampóhoz. A szilárd rögzítéskor kattanó hangot fog hallani. Ezután csatlakoztassa a másik Kampót a főegységhez.

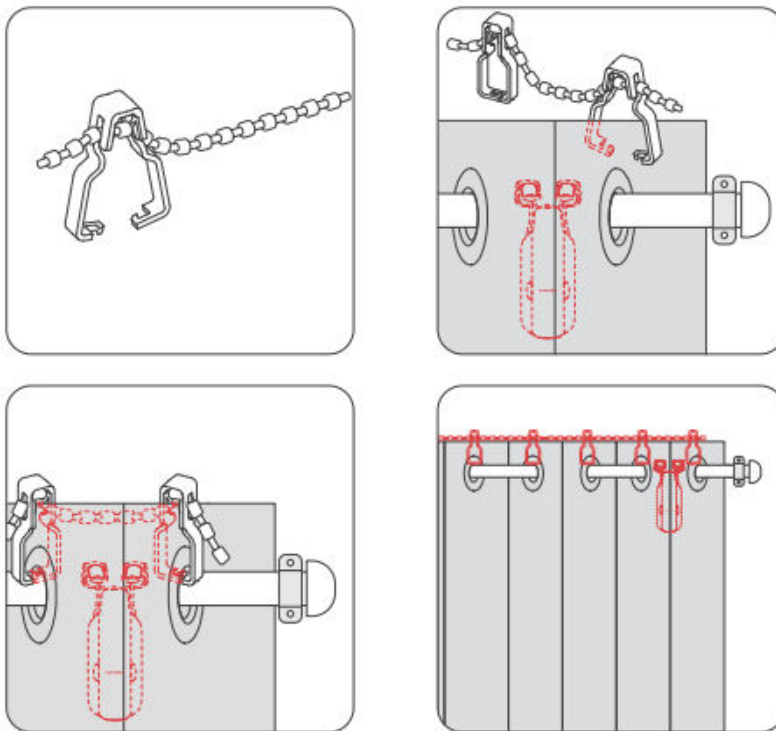
Kérjük, vegye figyelembe: ne alkalmazzon túlzott erőt, amikor a kampót lefelé húzza a rúd alátámasztása nélkül, különben a rúd eltörhet vagy leválhat a falról.



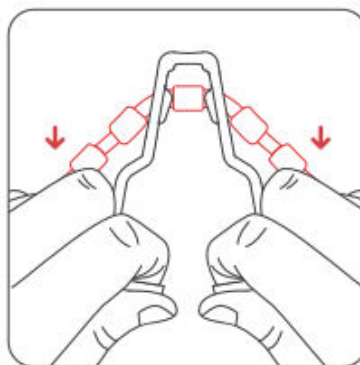
4. Állítsa be a SwitchBot Curtain 3 rúdját úgy, hogy az merőleges legyen a talajra.



5. A gyöngyrögzítő (gyönggyökkel felszerelve) az alábbi képen látható módon szerelje fel a grommets tetejére. Győződjön meg róla, hogy a grommetekhez erősen rögzíti őket. Befejezésül vágja le a maradék gyöngyöket, vagy tegye a függönyök mögé.

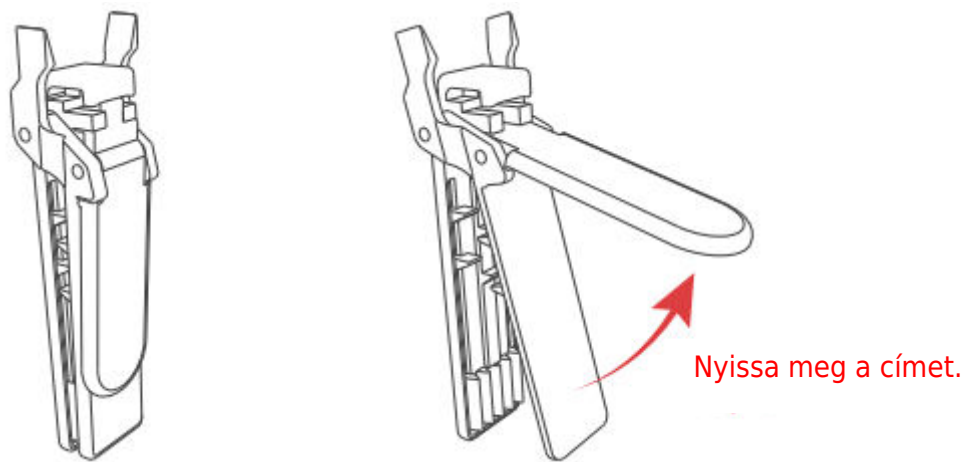


Ha a klipszek közötti távolság nem illeszkedik a függönyökhöz, akkor az alábbiakban bemutatott módon állíthatja be őket.

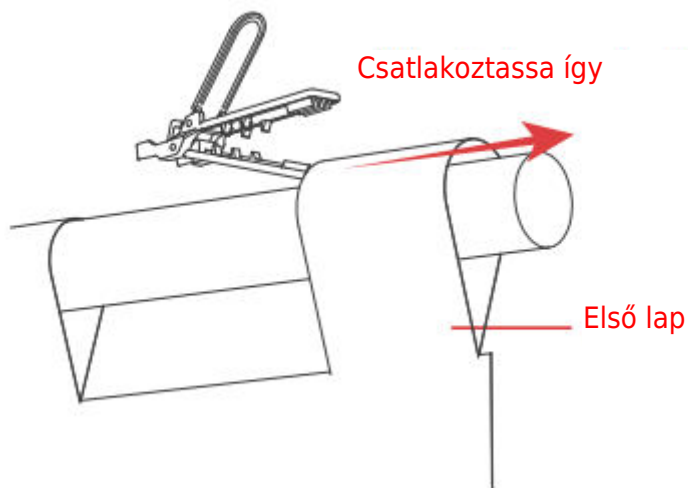


Tab Top Fügönyök

Használja a mellékelt klipszeket, hogy segítsen felszerelni a SwitchBot Curtain 3 rúdját a füles függönyökre.

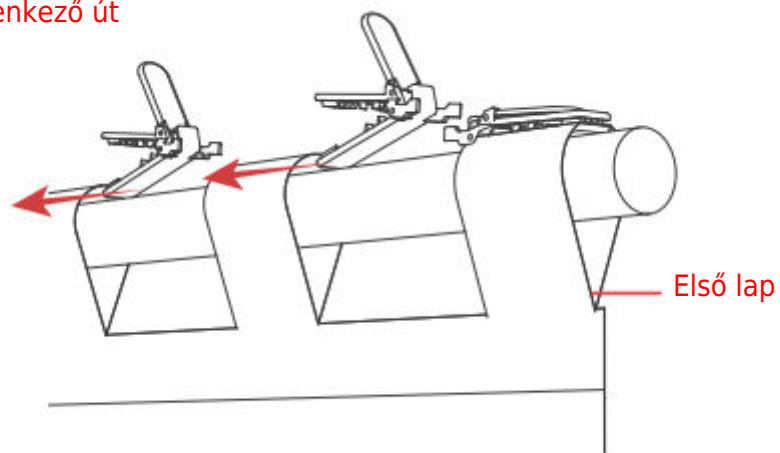


Zárja be a függönyt, rögzítse a klipszet az első fülekre.

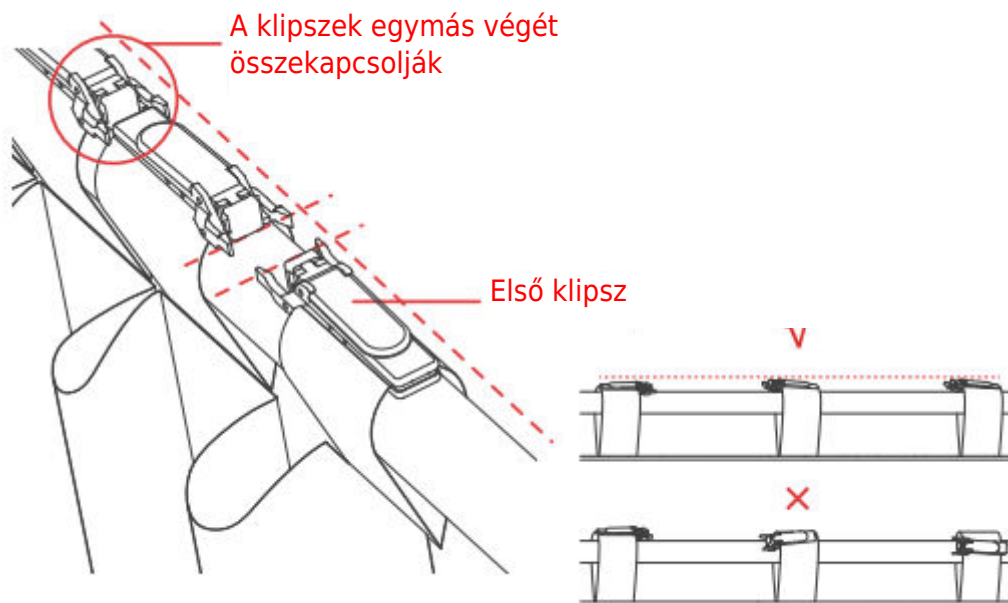


Rögzítse a maradék klipszeket a többi fülre a képen látható módon.

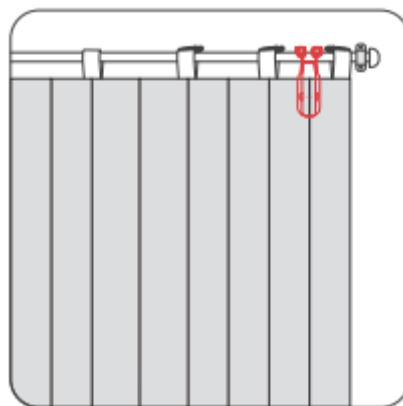
Az ellenkező út



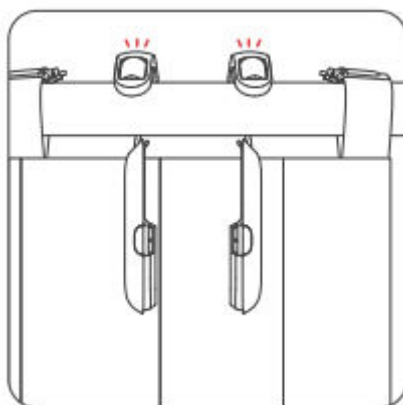
Figyeljen arra, hogy az összes többi klipszet az első klipszhez képest ellenkező irányban kell rögzíteni, győződjön meg arról, hogy az összes klipsz a rúd tetején ül és egymással egy vonalban van.



1. Szerelje fel a SwitchBot Curtain 3 rudat az ilyen típusú függöny hátuljára.

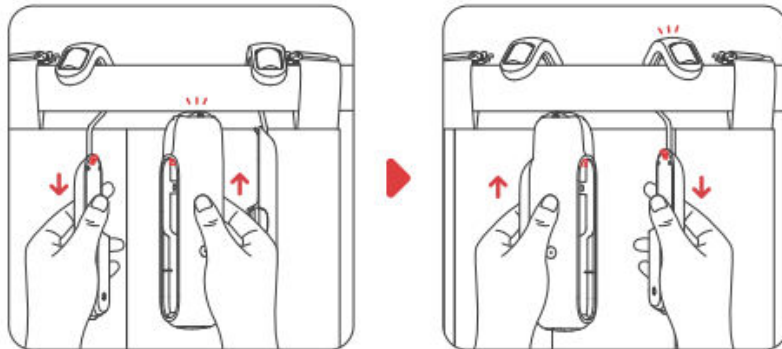


2. Szerelje fel a két levehető kampót egyesével a függönyrúdra az első és a második gyűrű közé.

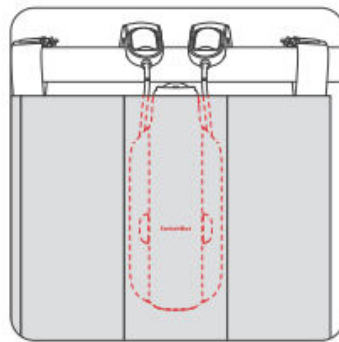


3. Egyik kezével húzza lefelé az egyik levehető kampót, a másik kezével pedig tartsa a főegységet (a SwitchBot logóval a belseje felé) felfelé a rúdhoz. Igazítsa egymás mellé a pattintókat, és rögzítse a Főegységet a Kampóhoz. A szilárd rögzítéskor kattanó hangot fog hallani. Ezután csatlakoztassa a másik Kampót a Főegységhez.

Kérjük, vegye figyelembe: ne alkalmazzon túlzott erőt, amikor a kampót lefelé húzza a rúd alátámasztása nélkül, különben a rúd eltörhet vagy leválhat a falról.

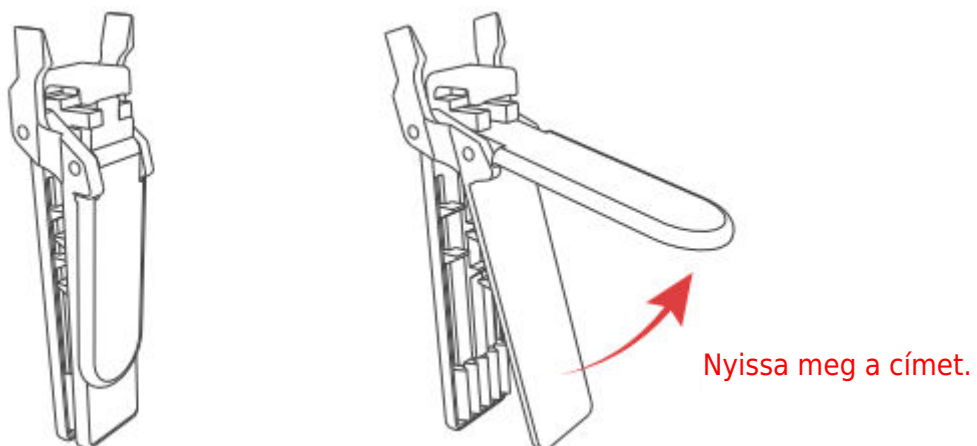


4. Állítsa be a SwitchBot Curtain 3 rúdját úgy, hogy az merőleges legyen a talajra.

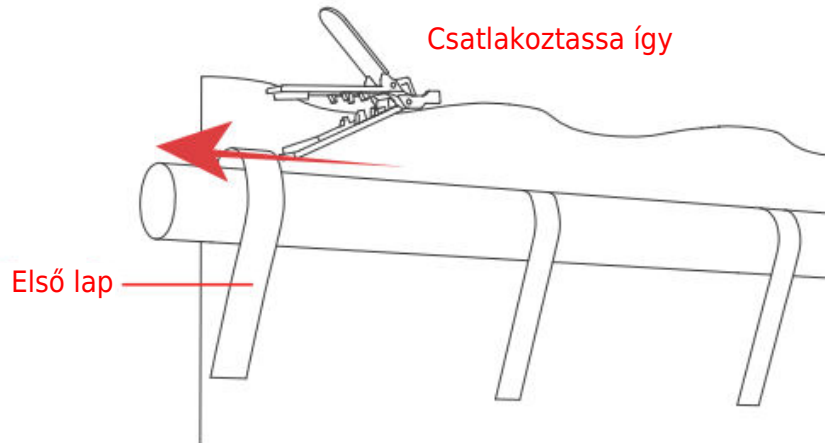


Vissza Tab Fügönyök

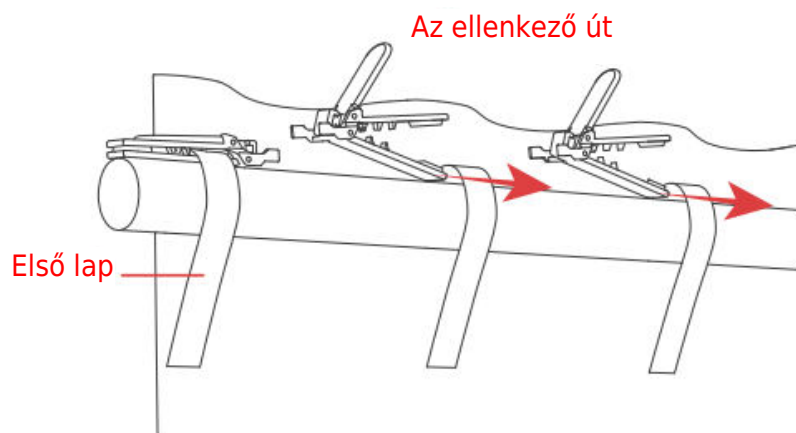
Használja a mellékelt klipszeket a SwitchBot Curtain 3 rúd hátsó fülű függönyökre történő felszereléséhez.



Zárja be a függönyt, rögzítse a klipszet az első fülekre.



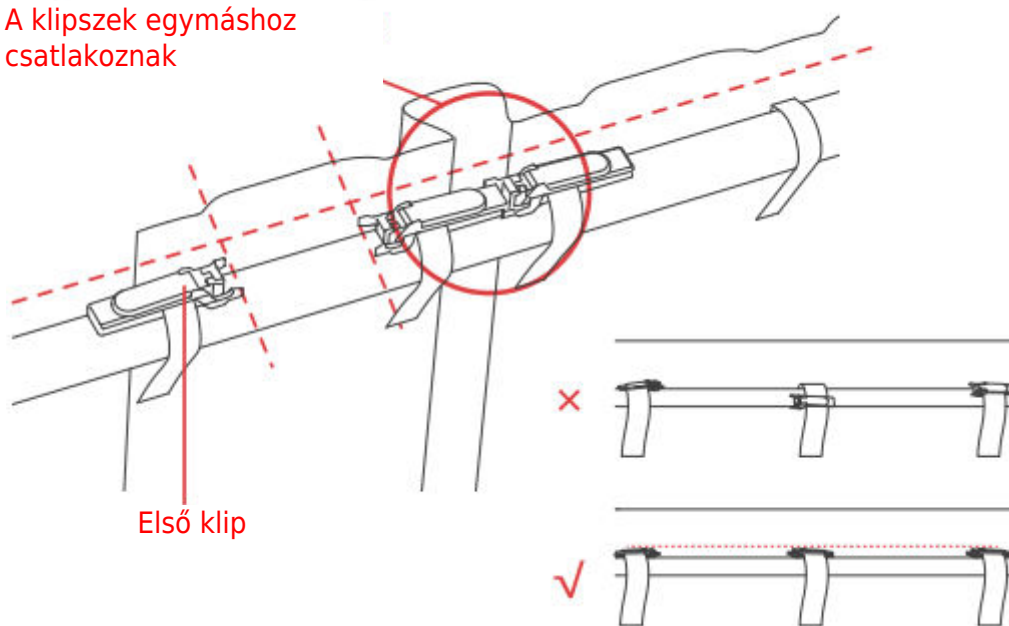
Rögzítse a maradék klipszeket a többi fülre a képen látható módon.



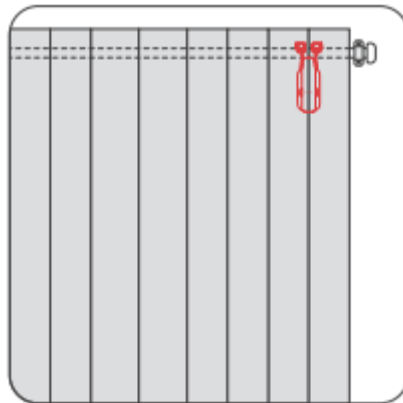
Figyeljen arra, hogy az összes többi klipszet az első klipszhez képest ellenkező irányban kell rögzíteni, győződjön meg arról, hogy az összes klipsz a rúd tetején ül és egymással egy vonalban van.

Felülnézet

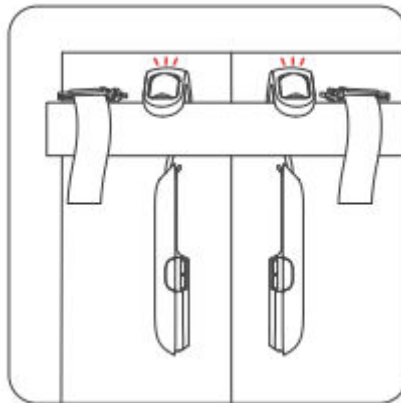
A klipszek egymáshoz csatlakoznak



1. Szerelje fel a SwitchBot Curtain 3 rudat az ilyen típusú függöny hátuljára.

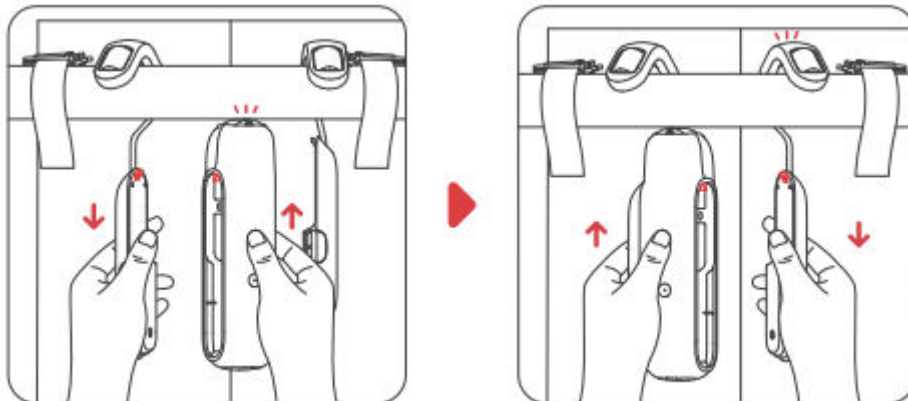


2. Szerelje fel a két levehető kampót egyesével a függönyrúdra az első és a második gyűrű közé.

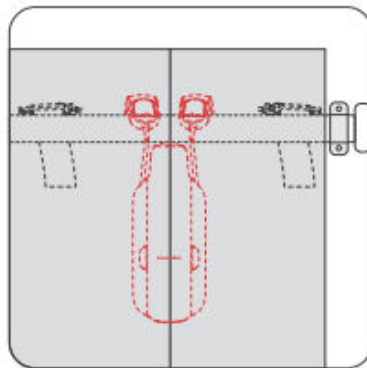


3. Egyik kezével húzza lefelé az egyik levehető Hookd-ot, a másik kezével pedig tartsa a Főegységet (a SwitchBot logóval a belseje felé) felfelé a rúdra. Igazítsa egymás mellé a pattintókat, és rögzítse a Főegységet a Hookhoz. A szilárd rögzítéskor kattánót hangot fog hallani. Ezután csatlakoztassa a másik Kampót a Főegységhez.

Kérjük, vegye figyelembe: ne alkalmazzon túlzott erőt, amikor a kampót lefelé húzza a rúd alátámasztása nélkül, különben a rúd eltörhet vagy leválhat a falról.



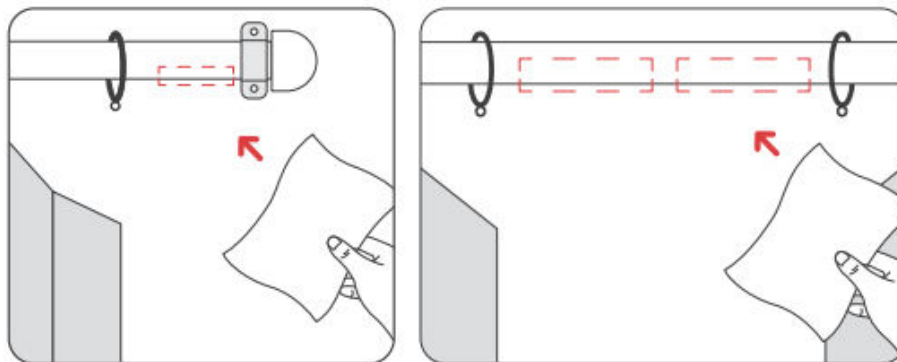
4. Állítsa be a SwitchBot Curtain 3 rúdját úgy, hogy az merőleges legyen a talajra.



3. lépés: Telepítse a mágneses rögzítést

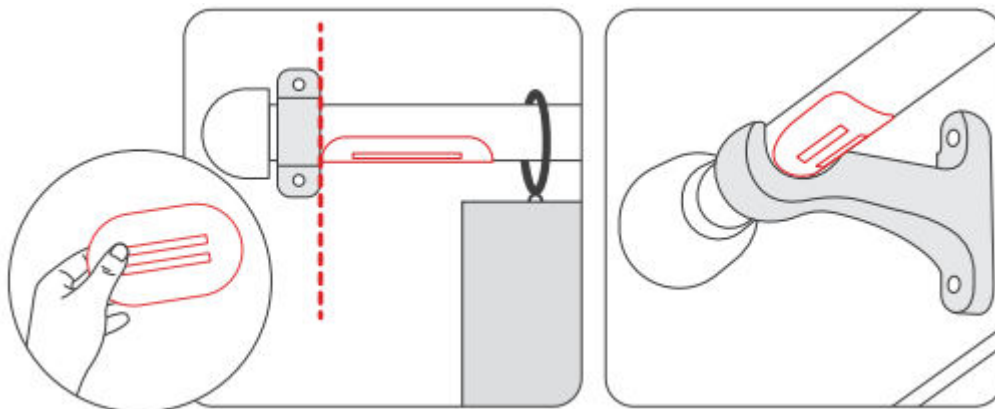
A mágneses rögzítés segít a SwitchBot Curtain 3 rúdjának pontos futásában, hogy a jövőbeni működés során a függönyök pontosan záródjanak. Kövesse az alábbi lépéseket a mágneses rögzítés felszereléséhez az útvonal kalibrálása előtt.

Annak érdekében, hogy a mágneses rögzítés szilárdan rögzüljön a sínfelülethez, kérjük, először a mellékelt nedves törlőkendővel tisztítsa meg a felületet. A por vagy kosz befolyásolja a tapadást, és később leesést okozhat.



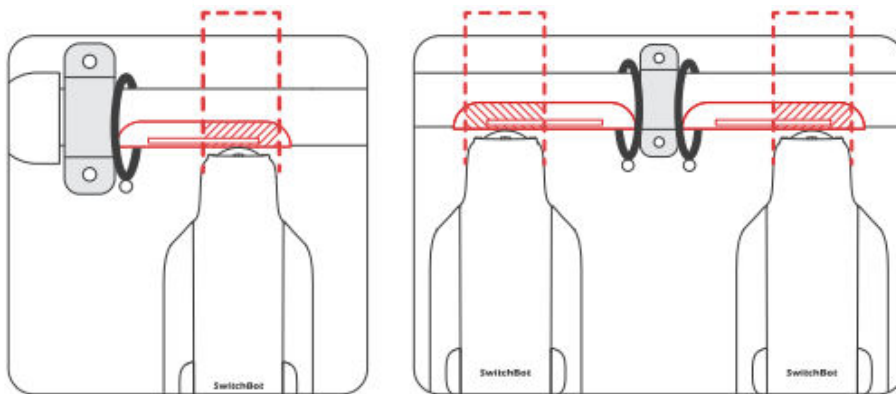
1. helyzet: Egy rúdtartó tartja a rudat zárt helyzetben.

1. Távolítsa el a mágneses rögzítést a bélésről. Ragassza az út aljára a konzol mentén, úgy, hogy a mágnesdarab belül párhuzamosan legyen a rúddal. Ha kétoldalas függönyöket használ, ragasszon két mágneses rögzítést a középső konzol két oldala mentén szimmetrikusan.



- Húzza meg a SwitchBot Curtain 3 rúdját, görgesse a mágneses rögzítésre, és állítsa meg a képen látható területen belül.

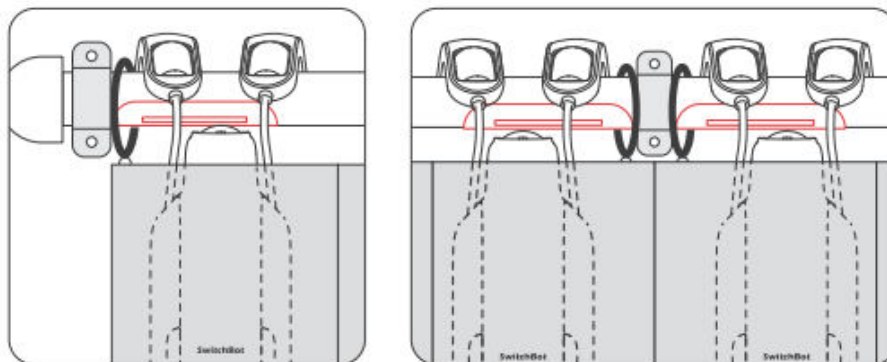
Az a terület, ahol a görgőnek meg kell állnia



Balra záródó egyoldalas függöny

Kétoldalas függöny

- A befejezéshez rejtse el a SwitchBot Curtain 3 rúdját a szövetfüggöny mögé.



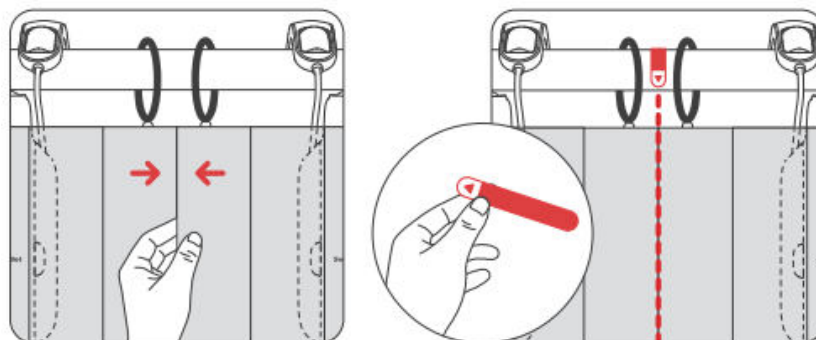
Balra záródó egyoldalas függöny

Kétoldalas függöny

2. helyzet: Kétoldalas függönyök közepén tartó nélkül

- Teljesen húzza be a függönyöket. A piros hosszú matricával jelölje meg a középső pozíciót.

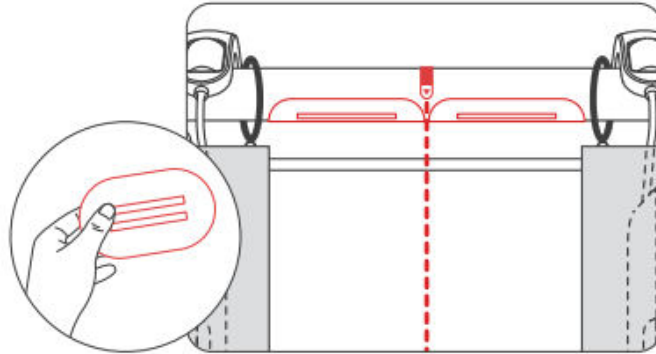
Kérjük, vegye figyelembe: ha csak a szemével méri a pozíciót, az eltérést okozhat. Kérjük, mindenképpen használja a mellékelt matricát.



2. Nyissa ki a függönyöket. Húzza le a mágneses rögzítők szalagbélését, és szimmetrikusan ragassza őket a szaggatott vonal mindkét oldalán.

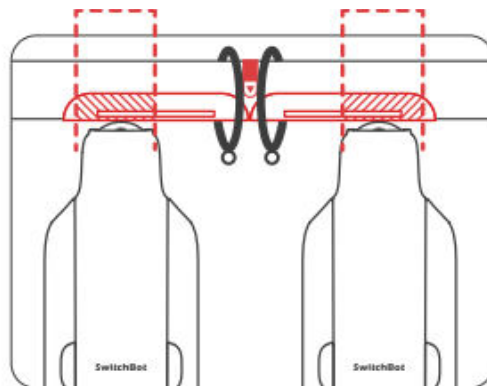
Kérjük, vegye figyelembe:

- a. A két mágneses rögzítésnek közel kell lennie egymáshoz, és a rudat alulról kell körbetekerni.
- b. A mágnesdaraboknak a tartozékokban párhuzamosnak kell lenniük a rúddal.

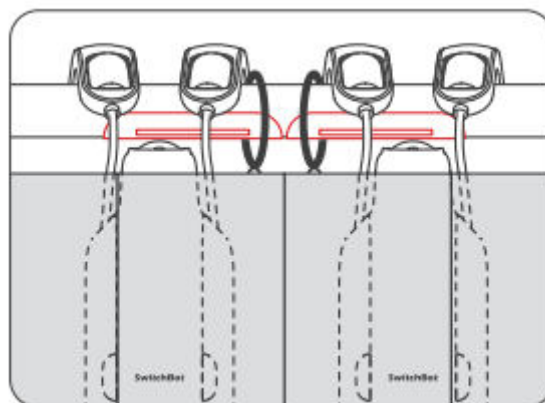


3. Húzza ki külön-külön a két SwitchBot Curtain 3 Rod eszközt, görgesse őket a mágneses rögzítésre, és állítsa meg a képen látható területen belül.

Az a terület, ahol a görgőknek meg kell állnia



4. Távolítsa el a piros matricát. A befejezéshez rejtse el a SwitchBot Curtain 3 rudat a szövetfüggönyök mögé.



4. lépés: Kalibrálás

Miután telepítette a SwitchBot Curtain 3 készüléket, kalibrálnia kell a készüléket, hogy beállítsa az útvonalát a függönypályán. Kérjük, kövesse az alkalmazásunkban található utasításokat, hogy a függöny tényleges mozgása megegyezzen az alkalmazásban látható animációval. A Függöny > Beállítások > Kalibrálás menüpontra navigálva bármikor újrakalibrálhatja készülékét vagy megváltoztathatja annak nyitási irányát.

Megjegyzés: Két SwitchBot Curtain 3 készüléket is csoportosíthat, ha a függönyöket középen szeretné kinyitni. A kalibrálás előtt kérjük, győződjön meg arról, hogy a két eszköz pozíciója megegyezik az alkalmazásunkban feltüntetettekkel.

Ellenőrzési módszerek

App Control

Egyetlen gombnyomással nyithatja és zárhatja be függönyeit. Intuitív alkalmazásvezérlést kínálunk iOS és Android felhasználók számára, heti/kétheti frissítésekkel. A jobb felhasználói élmény érdekében OTA firmware-frissítések is rendelkezésre állnak.

Touch & Go

Amikor a SwitchBot Curtain 3 érzékeli, hogy Ön elhúzza a függönyt (több mint 5 cm távolságban), a készülék automatikusan kinyit vagy bezár, attól függően, hogy hol van a készülék. Kétoldalas függönyök esetén az aktiváláshoz az egyik oldalt kell meghúznia.

Megjegyzés: ezt a funkciót bármikor kikapcsolhatja a készülék Speciális beállítások oldalán.

5 cm tűrőhatár csökkenti az idegen tárgyak, háziállatok, gyermekek stb. által okozott téves kioldások lehetőségét.

Otthoni automatizálás hangutasításokkal*

Több harmadik féltől származó intelligens asszisztent is összekapcsolhat a SwitchBot-fiókjával, hogy a SwitchBot Curtain 3-t vezérelhesse, vagy hangutasításokkal jeleneteket indíthasson el.

Hogyan valósítható meg a hangvezérlés és az otthoni automatizálás:

- Csatlakoztassa okostelefonját vagy asztalát az internethez.
- SwitchBot Hub beállítása (külön megvásárolható)
- Kapcsolja be a felhőszolgáltatásokat a SwitchBot Curtain 3 Beállítások oldalon.
- Kapcsolja össze harmadik fél szolgáltatásait a SwitchBot-fiókjával.

Alexa, close the curtains.

Hey Google, close my bedroom curtains.

Hey Siri, open the living room curtains.

SwitchBot Hub szükséges (külön megvásárolható)

A készülék használata a SwitchBot Remote segítségével



Bárhol elhelyezhető vezeték nélküli távirányító.

A SwitchBot Curtain 3-at a SwitchBot Remote (külön megvásárolható) segítségével is vezérelheti a távirányítón található két gombbal, amelyek az alkalmazásunkon keresztül akcióként beállíthatók. Egy távirányítóval 2 csoportosított SwitchBot Curtain 3 eszközt is vezérelhet. További információkért kérjük, olvassa el a felhasználói kézikönyvet vagy a Remote-ot.

Eszközbeállítások

Fényérzékelő (napelem)

Ha a SwitchBot Curtain 3-at csatlakoztatja a SwitchBot Solar Panelhez (külön megvásárolható), a fényszintadatok alapján automatizálásokat állíthat be. A fényszint görbe megmondja, hogy egy nap alatt mennyi a napfény optimális időtartama, és ennek megfelelően állíthatja be az automatikus töltési ütemtervet a SwitchBot Curtain 3 számára.

Késleltetés

Beállíthatja a visszaszámlálási művelet késleltetését, beleértve a visszaszámlálási időt, a nyitás vagy zárás százalékos arányát és a Mozgás módot.

Menetrendek

Legfeljebb 5 ütemezést állíthat be helyileg az eszközén, vagy korlátlan számú ütemezést, ha a SwitchBot Hub segítségével használja. Beállíthatja a napot, az időt, a nyitás vagy zárás százalékos arányát és a Mozgás módot.

Töltés, firmware frissítések és gyári beállítások visszaállítása

Töltés

A készülék akkumulátorának teljes feltöltése körülbelül 6,5 órát vesz igénybe, és ez egy teljes feltöltés után akár 8 hónapig is eltarthat. A SwitchBot napelemes panelt is megvásárolhatja, hogy a napfény segítségével töltsse fel.

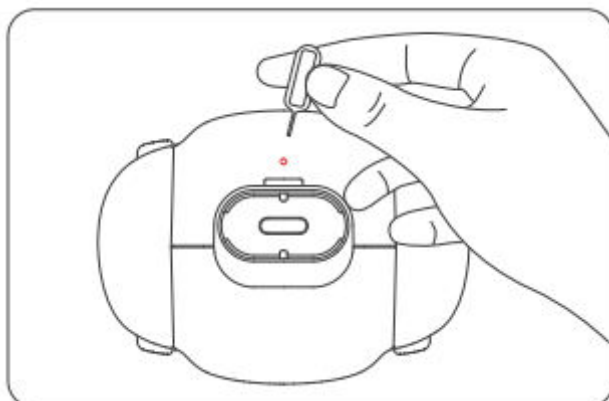
1. A készülék töltéséhez 5V-os= 1A adapterre van szükség.
2. Az akkumulátor élettartamát úgy tesztelik, hogy naponta egyszer, 25 °C-os hőmérsékleten 8 kg-os függönyöket nyitnak és zárnak egy 3 méter hosszú pályán. Az akkumulátor tényleges élettartama a különböző körülményektől függően változhat.
3. Mindössze napi 3 órán át tartó, tiszta árnyékot vető napfényben az új SwitchBot napelemünk elegendő energiát képes termelni ahhoz, hogy a SwitchBot Curtain 3 függönyét örökké fenntartsa.

A frissített Solar Panel jelentősen javította a hatékonyságot még gyenge napfényben is. Mindaddig, amíg az ablaka napfényt kaphat, javasoljuk a Solar Panel megvásárlását a készülék töltéséhez. Így biztosíthatja, hogy SwitchBot Curtain 3 készülékének áramellátása megmaradjon, és bármikor használatra készen álljon, amikor csak szüksége van rá.

Firmware frissítések

A felhasználói élmény javítása érdekében rendszeresen kiadunk firmware-frissítéseket, hogy új funkciókat vezessünk be, és megoldjuk a használat során esetlegesen felmerülő szoftverhibákat. Amikor egy új firmware-verzió elérhetővé válik, az alkalmazásunkon keresztül frissítési értesítést küldünk a fiókjába. Frissítéskor kérjük, győződjön meg arról, hogy a termék elegendő akkumulátorral rendelkezik, és győződjön meg arról, hogy okostelefonja az interferencia elkerülése érdekében hatótávolságon belül van.

Gyári beállítások visszaállítása



A mellékelt reset eszközzel nyomja meg és tartsa lenyomva a Reset gombot 3 másodpercig, amíg a jelzőfény láthatóvá válik, majd engedje el.

Műszaki adatok

| | |
|---|--|
| Szín | Fehér |
| Anyag | ABS + PC (UV-védelem, V-0 tűzállósági besorolás) |
| Méret (főegység) | 42 x 51 x 173 mm (1,7 x 2 x 6,8 in.) |
| Tömeg (főegység) | 280 g (9,9 oz.) |
| Teljesítmény | C-típusú, DC 5V $\overline{=}$ 1A, 3350 mAh lítium-ion akkumulátor vagy napelem segítségével |
| Az akkumulátor élettartama | 8 hónap vagy korlátlan napelemmel |
| Hálózati kapcsolódás | Bluetooth 5.0, nagy hatótávolságú átvitel |
| Erősség | Akár 15 kg (33 font) súlyú függöny (ellenőrzött kísérletek laboratóriumunkban) |
| Max kifutópálya | 3 m (9,8 láb) |
| Ütemterv | Legfeljebb 5, vagy korlátlan számú SwitchBot Hub segítségével |
| Hangvezérlés (SwitchBot Hub szükséges) | Amazon Alexa, Google Assistant, Siri gyorsbillentyűk, SmartThings, IFTTT |

Kérjük, vegye figyelembe: javasoljuk, hogy a készüléket csak szobahőmérsékleten használja.

1. A SwitchBot napelem külön kapható.
2. Az akkumulátor élettartamát olyan körülmények között tesztelték, amikor egy 3 méter hosszú pályán naponta egyszer, 25°C-os hőmérsékleten egy 8 kg-os függönnyt nyitottak és zártak. Az akkumulátor tényleges élettartama ettől eltérő lehet.
3. A SwitchBot Hub külön kapható.

Jótállási feltételek

Az Alza.cz értékesítési hálózatában vásárolt új termékre 2 év garancia vonatkozik. Ha a garanciális időszak alatt javításra vagy egyéb szolgáltatásra van szüksége, forduljon közvetlenül a termék eladóójához, a vásárlás dátumával ellátott eredeti vásárlási bizonylatot kell bemutatnia.

Az alábbiak a jótállási feltételekkel való ellentétnek minősülnek, amelyek miatt az igényelt követelés nem ismerhető el:

- A terméknek a termék rendeltetésétől eltérő célra történő használata, vagy a termék karbantartására, üzemeltetésére és szervizelésére vonatkozó utasítások be nem tartása.
- A termék természeti katasztrófa, illetéktelen személy beavatkozása vagy a vevő hibájából bekövetkezett mechanikai sérülése (pl. szállítás, nem megfelelő eszközökkel történő tisztítás stb. során).
- A fogyóeszközök vagy alkatrészek természetes elhasználódása és öregedése a használat során (pl. akkumulátorok stb.).
- Káros külső hatásoknak való kitettség, például napfény és egyéb sugárzás vagy elektromágneses mezők, folyadék behatolása, tárgyak behatolása, hálózati túlfeszültség, elektrosztatikus kisülési feszültség (beleértve a villámlást), hibás táp- vagy bemeneti feszültség és e feszültség nem megfelelő polaritása, kémiai folyamatok, például használt tápegységek stb.
- Ha valaki a termék funkcióinak megváltoztatása vagy bővítése érdekében a megvásárolt konstrukcióhoz képest módosításokat, átalakításokat, változtatásokat végzett a konstrukción vagy adaptációt végzett, vagy nem eredeti alkatrészeket használt.

WEEE

Ezt a terméket nem szabad normál háztartási hulladékként ártalmatlanítani az elektromos és elektronikus berendezések hulladékairól szóló uniós irányelvnek (WEEE - 2012/19 / EU) megfelelően. Ehelyett vissza kell juttatni a vásárlás helyére, vagy át kell adni az újrahasznosítható hulladékok nyilvános gyűjtőhelyén. Azzal, hogy gondoskodik a termék megfelelő ártalmatlanításáról, segít megelőzni a környezetre és az emberi egészségre gyakorolt esetleges negatív következményeket, amelyeket egyébként a termék nem megfelelő hulladékkezelése okozhatna. További részletekért forduljon a helyi hatósághoz vagy a legközelebbi gyűjtőhelyhez. Az ilyen típusú hulladék nem megfelelő ártalmatlanítása a nemzeti előírásoknak megfelelően pénzbírságot vonhat maga után.



Sehr geehrter Kunde,

vielen Dank für den Kauf unseres Produkts. Bitte lesen Sie die folgenden Anweisungen vor dem ersten Gebrauch sorgfältig durch und bewahren Sie diese Bedienungsanleitung zum späteren Nachschlagen auf. Beachten Sie insbesondere die Sicherheitshinweise. Wenn Sie Fragen oder Kommentare zum Gerät haben, wenden Sie sich bitte an den Kundenservice.

✉ www.alza.de/kontakt

☎ 0800 181 45 44

✉ www.alza.at/kontakt

☎ +43 720 815 999

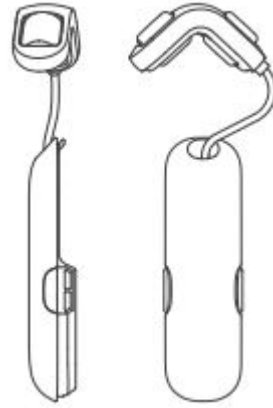
Lieferant Alza.cz a.s., Jankovcova 1522/53, Holešovice, 170 00 Prag 7, www.alza.cz

Bitte lesen Sie dieses Benutzerhandbuch sorgfältig durch, bevor Sie das Gerät benutzen.

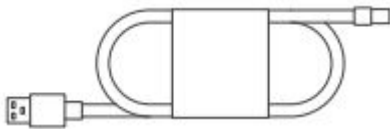
Inhalt des Pakets



Haupteinheit



Haken-Paar (Stange)



Typ-C Kabel



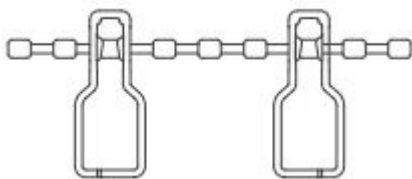
Clip



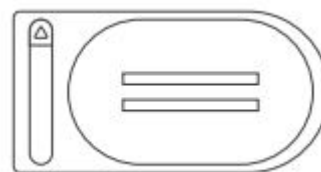
Reset-Werkzeug



Feuchttuch

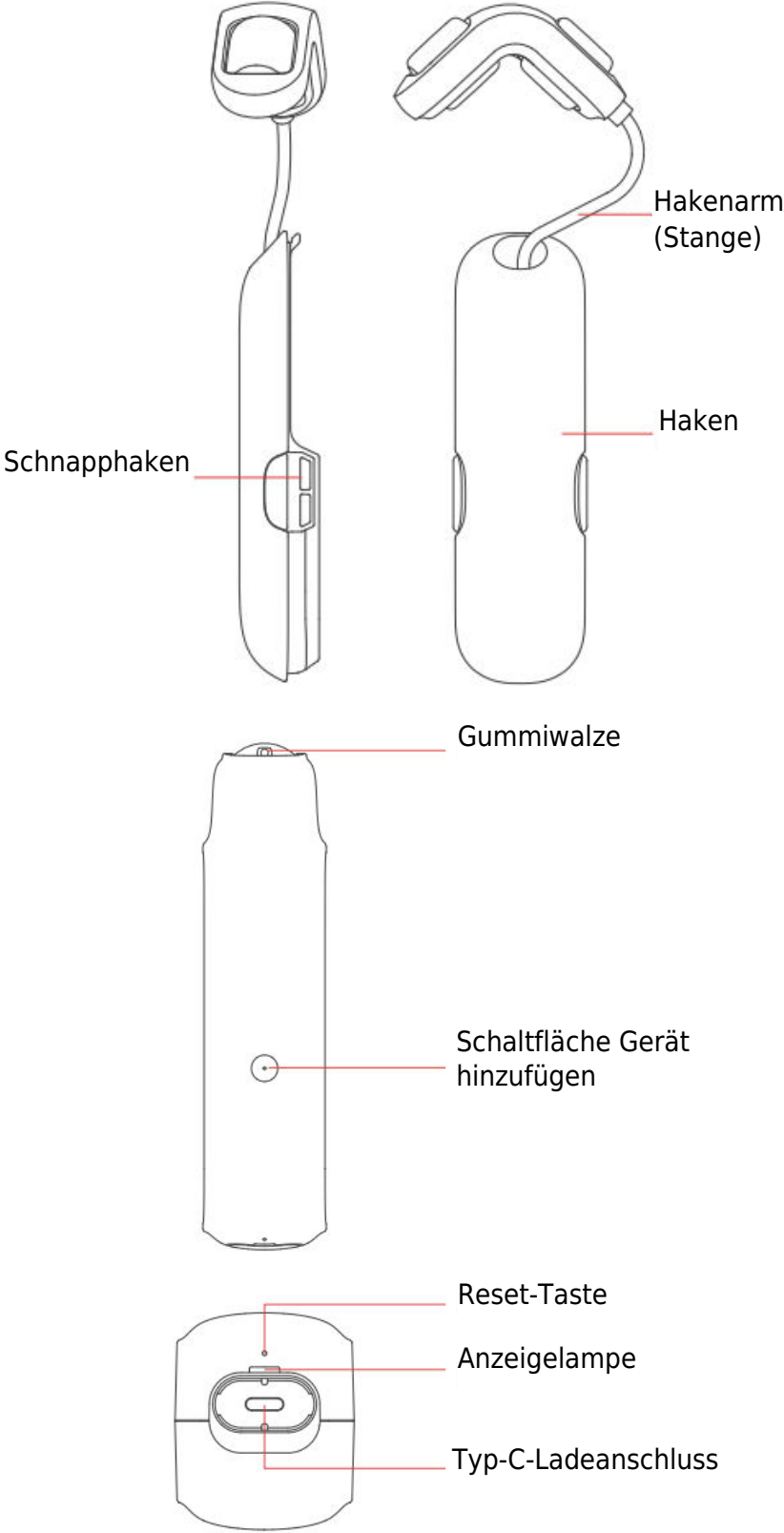


Perlen-Fixierer (falls Perlen installiert)



Magnetbefestigung (zur Positionierung)

Liste der Komponenten



Vorbereitung

- Ein Smartphone oder Tablet mit Bluetooth 4.2 oder höher.
- Die neueste Version unserer App, die Sie über den Apple App Store oder den Google Play Store herunterladen können.
- Ein Switch Bot-Konto. Sie können sich über unsere App registrieren oder sich direkt bei Ihrem Konto anmelden, wenn Sie bereits eines haben.
- Ein vollständig aufgeladener SwitchBot Curtain 3.

Bitte beachten Sie: Wenn Sie den Cloud Service für die Sprachsteuerung verwenden möchten, benötigen Sie einen SwitchBot Hub (separat erhältlich).



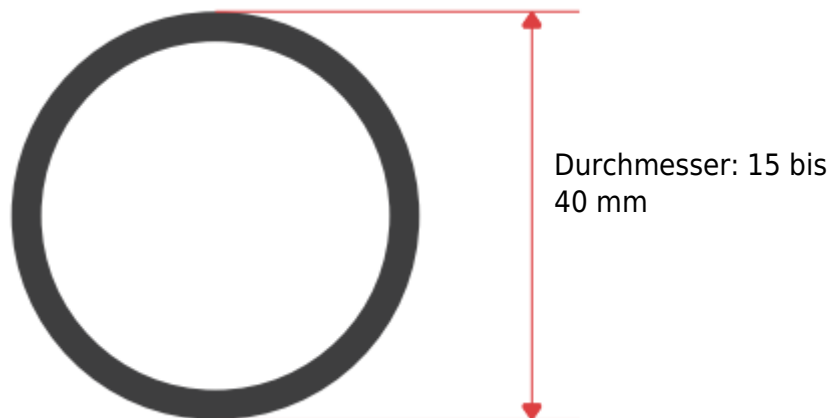
iOS 11.0+



Android OS 5.0+

Überprüfen Sie Ihre Vorhangschiene

SwitchBot Curtain 3 Rod unterstützt Vorhangschiene mit den folgenden Abmessungen:



Wenn die SwitchBot Curtain 3-Stange nicht zu Ihrer Gardinenschiene passt, wenden Sie sich bitte an unseren Kundendienst unter support@switch-bot.com.

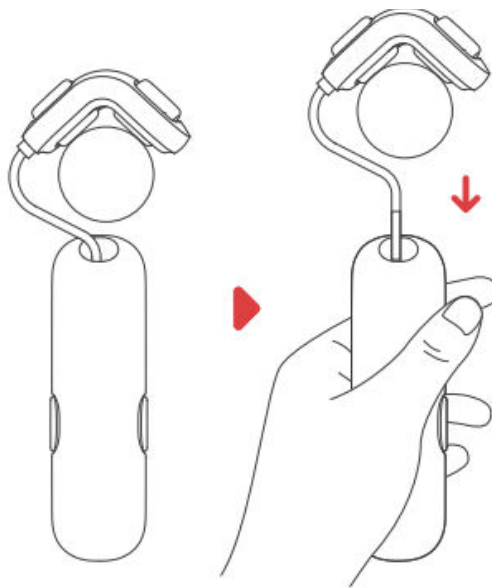
Einrichtung

Schritt 1: Fügen Sie Ihre SwitchBot Curtain Rod 3-Stange zu unserer App hinzu.

Öffnen Sie unsere App und melden Sie sich bei Ihrem Konto an. Tippen Sie oben rechts auf der Startseite auf "+", suchen Sie das Symbol "Vorhang" und wählen Sie es aus. Folgen Sie dann den Anweisungen, um Ihre SwitchBot Curtain 3-Stange hinzuzufügen.

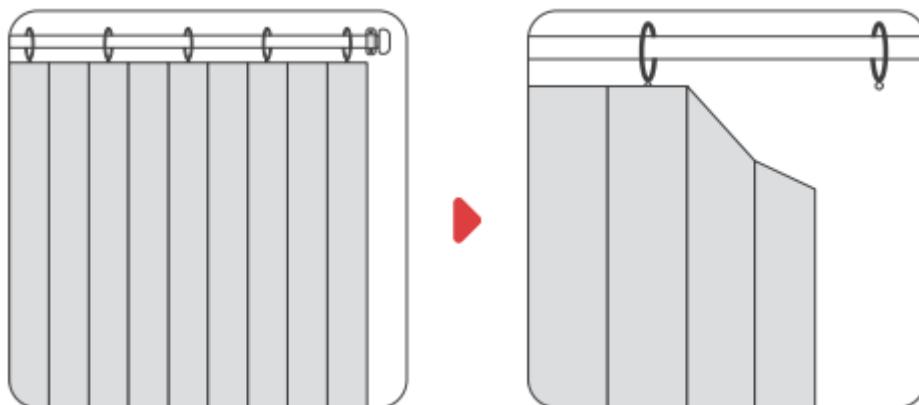
Schritt 2: Installieren Sie die SwitchBot Curtain Rod 3-Stange an Ihrer Vorhangschiene.

Dehnbarer Hakenarm

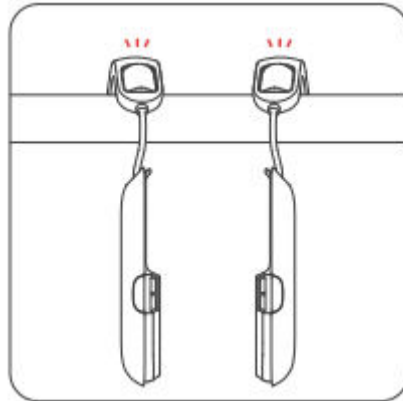


Ring-Vorhänge

1. Schließen Sie Ihren Vorhang vollständig und entfernen Sie den ersten Vorhanghaken aus dem Ring.

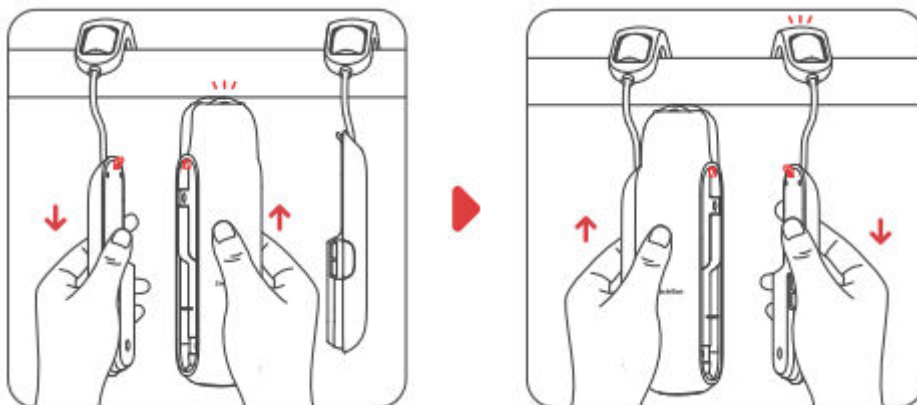


2. Bringen Sie zwei abnehmbare Haken nacheinander an Ihrer Gardinenstange zwischen dem ersten und zweiten Ring an.

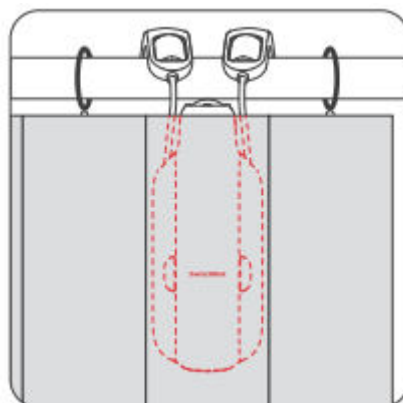


3. Ziehen Sie einen abnehmbaren Haken mit einer Hand nach unten und halten Sie die Haupteinheit (mit dem SwitchBot-Logo nach innen) mit der anderen Hand nach oben gegen die Stange. Richten Sie die Druckknöpfe aus und befestigen Sie die Haupteinheit am Haken. Sie hören ein Klickgeräusch, wenn der Haken fest sitzt. Befestigen Sie dann einen weiteren Haken an der Haupteinheit.

Bitte beachten Sie: Wenden Sie keine übermäßige Kraft an, wenn Sie den Haken nach unten ziehen, ohne die Stange zu stützen, sonst kann die Stange brechen oder sich von der Wand lösen.

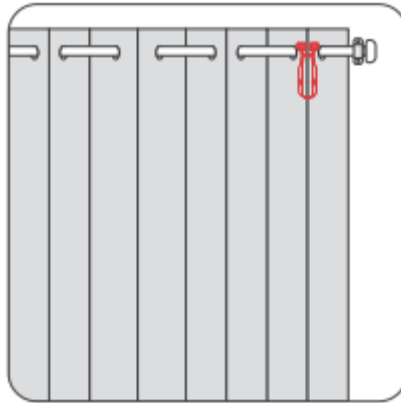


4. Stellen Sie Ihre SwitchBot Curtain 3-Stange so ein, dass sie senkrecht zum Boden steht. Hängen Sie Ihren Vorhang wieder auf und verstecken Sie die SwitchBot Curtain 3-Stange hinter Ihrem Vorhangstoff.

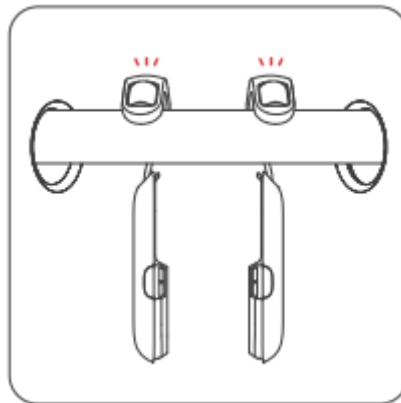


Tüllenvorhänge

1. Bringen Sie Ihre SwitchBot Curtain 3-Stange an der Rückseite dieser Art von Vorhängen an.

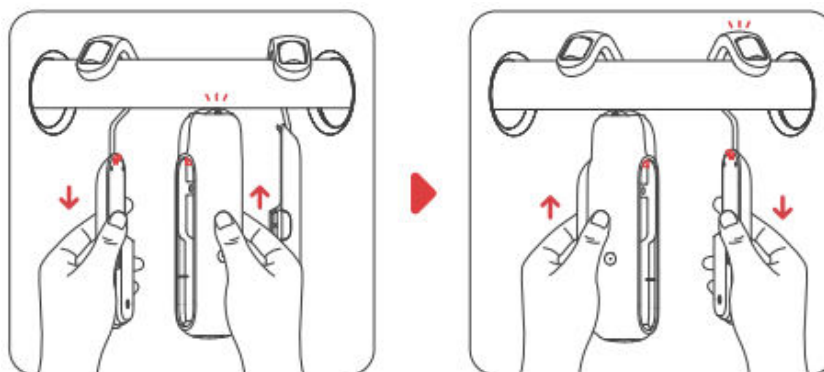


2. Bringen Sie zwei abnehmbare Haken nacheinander an Ihrer Gardinenstange zwischen dem ersten und dem zweiten Ring an.

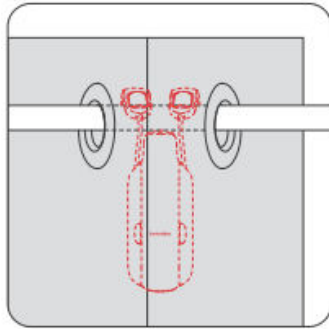


3. Ziehen Sie einen abnehmbaren Haken mit einer Hand nach unten, und halten Sie die Haupteinheit (mit dem SwitchBot-Logo nach innen) mit der anderen Hand nach oben gegen die Stange. Richten Sie die Druckknöpfe aus und befestigen Sie die Haupteinheit am Haken. Sie werden ein Klickgeräusch hören, wenn die Einheit fest sitzt. Befestigen Sie dann einen weiteren Haken an der Haupteinheit.

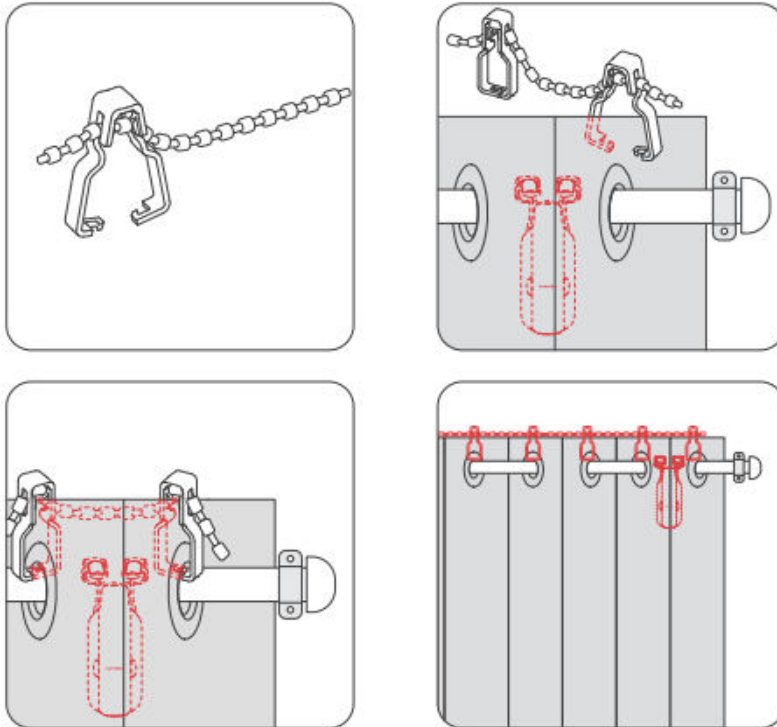
Bitte beachten Sie: Wenden Sie keine übermäßige Kraft an, wenn Sie den Haken nach unten ziehen, ohne die Stange zu stützen, sonst kann die Stange brechen oder sich von der Wand lösen.



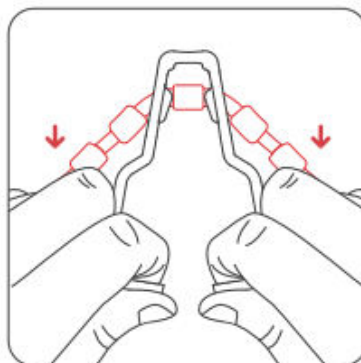
4. Stellen Sie Ihre SwitchBot Curtain 3-Stange so ein, dass sie senkrecht zum Boden steht.



5. Beziehen Sie sich auf die Abbildung unten, um die Perlenbefestigung (mit installierten Perlen) an der Oberseite der Tüllen zu installieren. Achten Sie darauf, dass Sie sie fest an den Ösen anbringen. Schneiden Sie zum Schluss die restlichen Perlen ab oder legen Sie sie hinter Ihre Vorhänge.

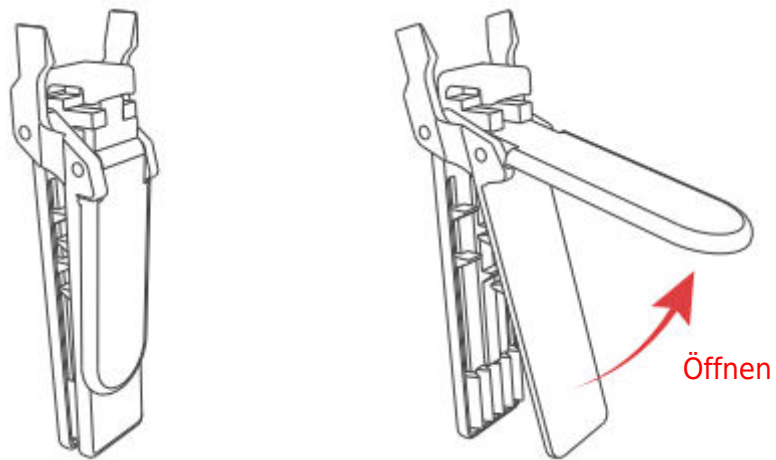


Wenn der Abstand zwischen den Clips nicht zu Ihren Vorhängen passt, können Sie sie wie unten gezeigt einstellen.

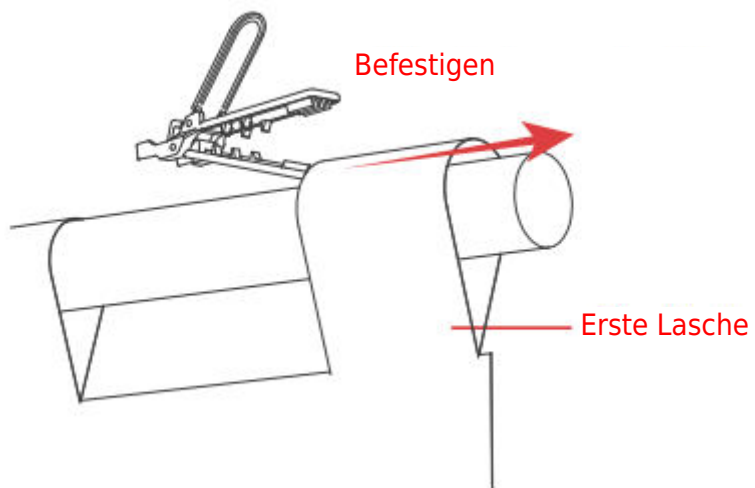


Laschen-Vorhänge

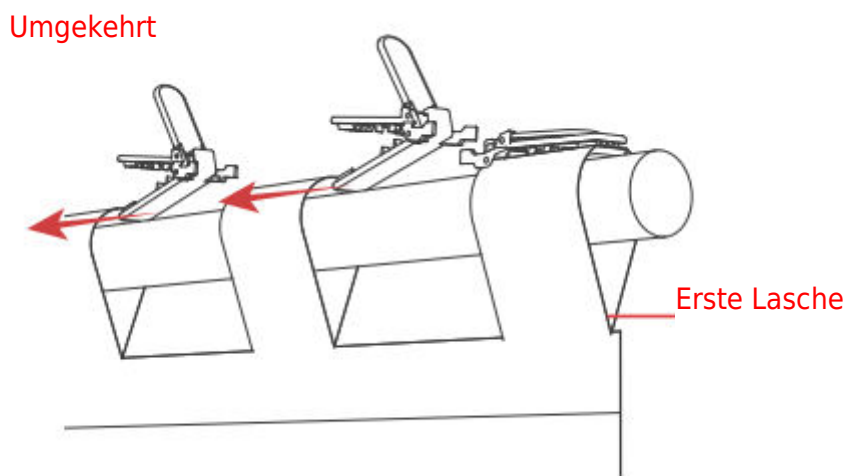
Verwenden Sie die mitgelieferten Clips, um Ihre SwitchBot Curtain 3 Rod-Stange an Vorhängen mit Laschen zu befestigen.



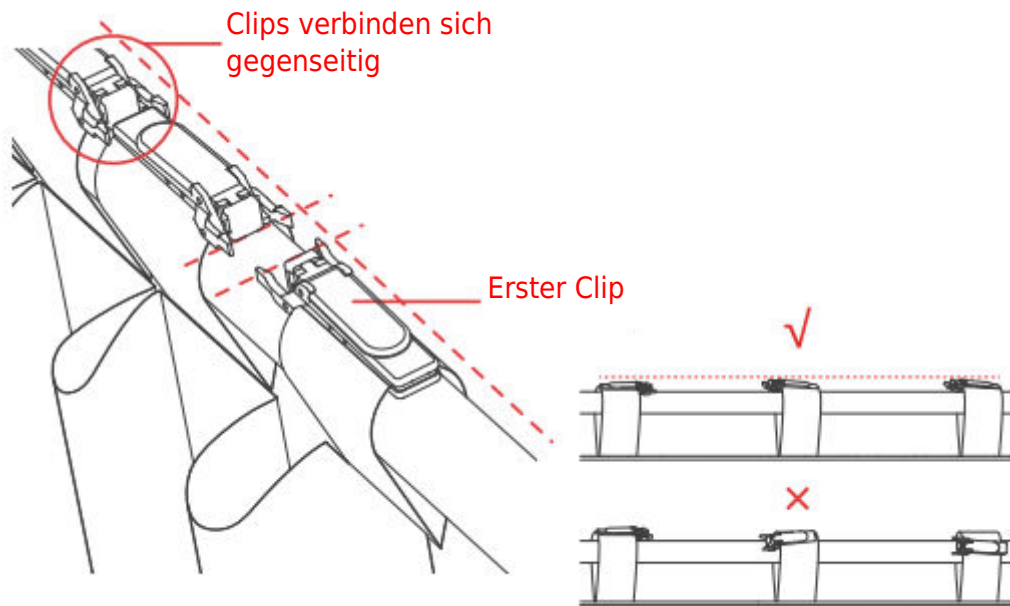
Schließen Sie Ihren Vorhang, befestigen Sie einen Clip an der ersten Lasche.



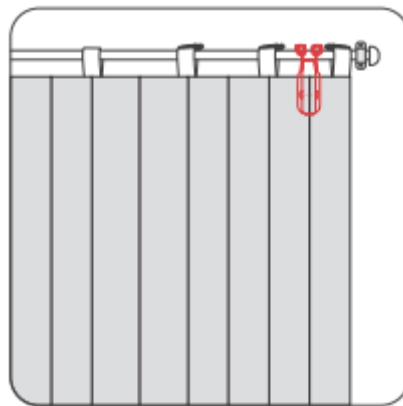
Befestigen Sie die restlichen Clips an den anderen Laschen wie in der Abbildung gezeigt.



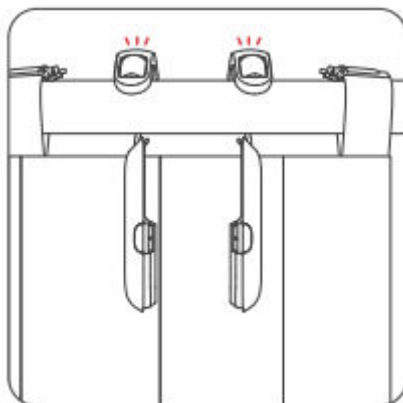
Achten Sie darauf, dass alle anderen Clips in entgegengesetzter Richtung zum ersten Clip angebracht werden. Stellen Sie sicher, dass alle Clips oben auf der Stange sitzen und miteinander ausgerichtet sind.



1. Bringen Sie Ihre SwitchBot Curtain 3-Stange an der Rückseite dieser Art von Vorhängen an.

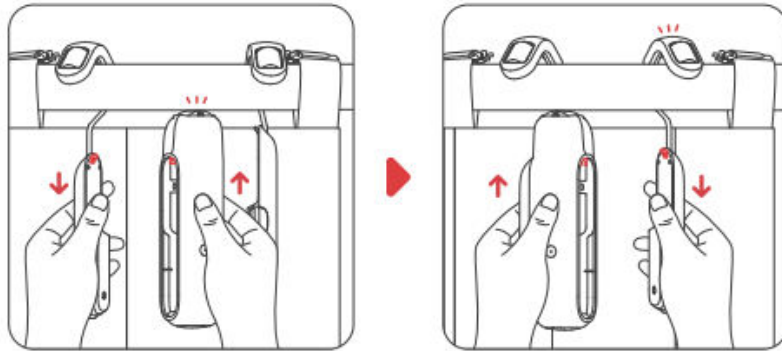


2. Bringen Sie zwei abnehmbare Haken nacheinander an Ihrer Gardinenstange zwischen dem ersten und dem zweiten Ring an.

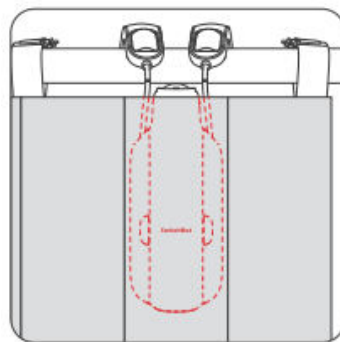


3. Ziehen Sie einen abnehmbaren Haken mit einer Hand nach unten, und halten Sie die Haupteinheit (mit dem SwitchBot-Logo nach innen) mit der anderen Hand nach oben gegen die Stange. Richten Sie die Druckknöpfe aus und befestigen Sie die Haupteinheit am Haken. Sie hören ein Klickgeräusch, wenn der Haken fest sitzt. Befestigen Sie dann einen weiteren Haken an der Haupteinheit.

Bitte beachten Sie: Wenden Sie keine übermäßige Kraft an, wenn Sie den Haken nach unten ziehen, ohne die Stange zu stützen, sonst kann die Stange brechen oder sich von der Wand lösen.

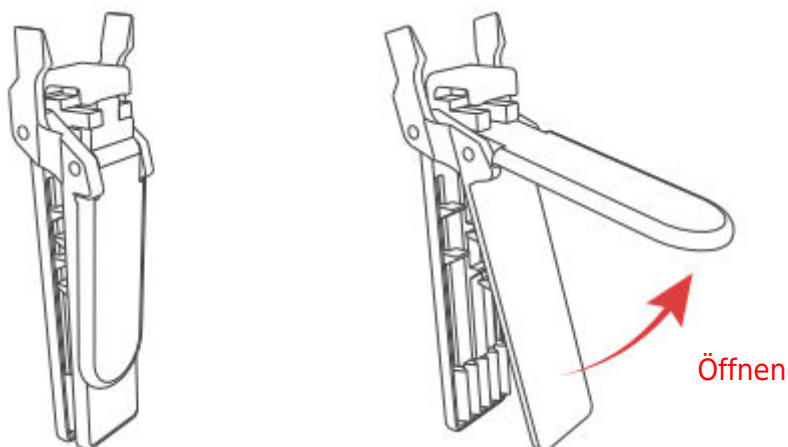


4. Stellen Sie Ihre SwitchBot Curtain 3-Stange so ein, dass sie senkrecht zum Boden steht.



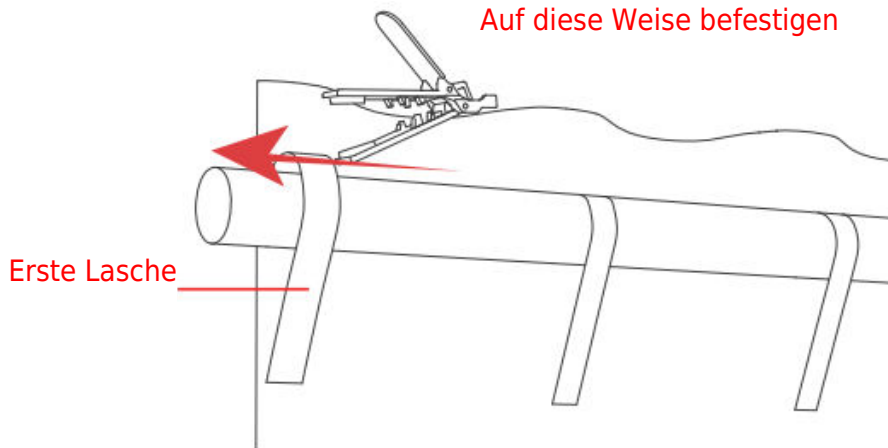
Rückenlaschen-Vorhänge

Verwenden Sie die mitgelieferten Clips, um Ihre SwitchBot Curtain 3-Stange an den hinteren Gardinen zu befestigen.



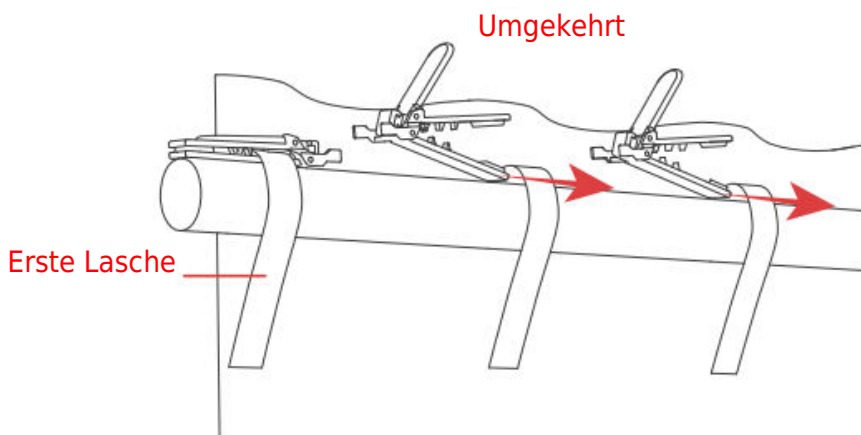
Schließen Sie Ihren Vorhang, befestigen Sie einen Clip an der ersten Lasche.

Auf diese Weise befestigen



Befestigen Sie die restlichen Clips an den anderen Laschen wie in der Abbildung gezeigt.

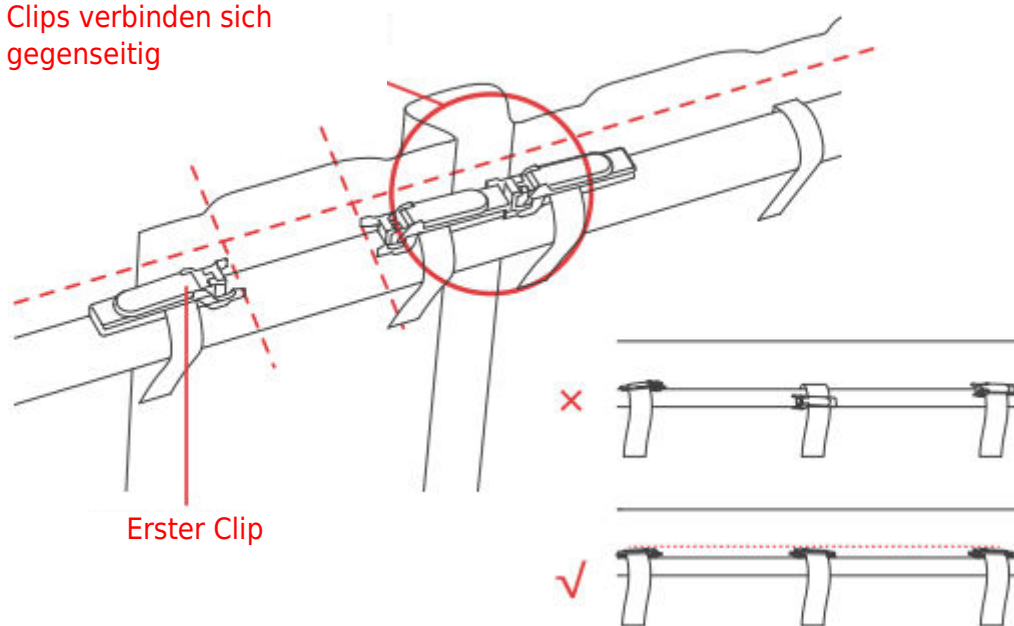
Umgekehrt



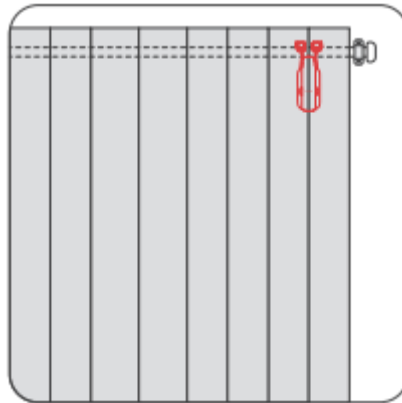
Achten Sie darauf, dass alle anderen Clips in entgegengesetzter Richtung zum ersten Clip angebracht werden. Stellen Sie sicher, dass alle Clips oben auf der Stange sitzen und miteinander ausgerichtet sind.

Ansicht von oben

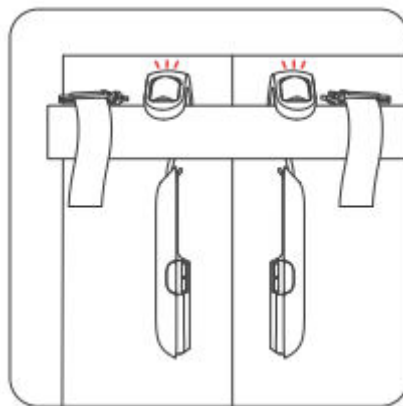
Clips verbinden sich gegenseitig



1. Bringen Sie Ihre SwitchBot Curtain 3-Stange an der Rückseite dieser Art von Vorhängen an.

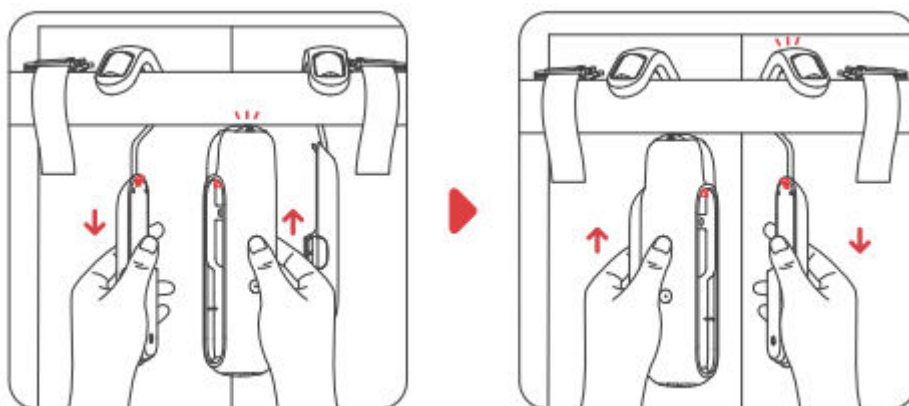


2. Bringen Sie zwei abnehmbare Haken nacheinander an Ihrer Gardinenstange zwischen dem ersten und dem zweiten Ring an.

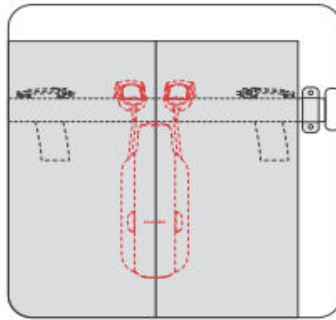


3. Ziehen Sie einen abnehmbaren Haken mit einer Hand nach unten, und halten Sie die Haupteinheit (mit dem SwitchBot-Logo nach innen) mit der anderen Hand nach oben gegen die Stange. Richten Sie die Druckknöpfe aus und befestigen Sie die Haupteinheit am Haken. Sie hören ein Klickgeräusch, wenn der Haken fest sitzt. Befestigen Sie dann einen weiteren Haken an der Haupteinheit.

Bitte beachten Sie: Wenden Sie keine übermäßige Kraft an, wenn Sie den Haken nach unten ziehen, ohne die Stange zu stützen, sonst kann die Stange brechen oder sich von der Wand lösen.



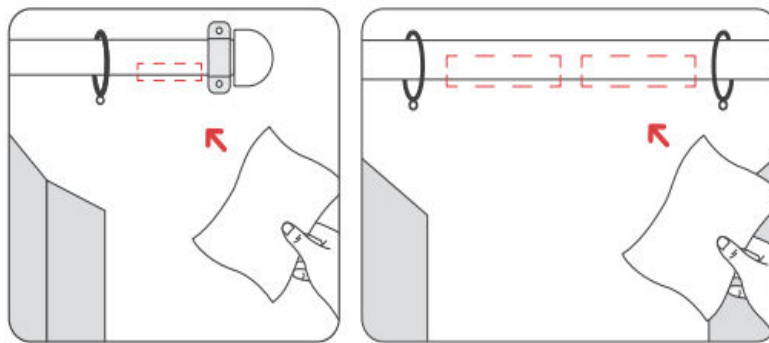
4. Stellen Sie Ihre SwitchBot Curtain 3-Stange so ein, dass sie senkrecht zum Boden steht.



Schritt 3: Magnetbefestigung anbringen

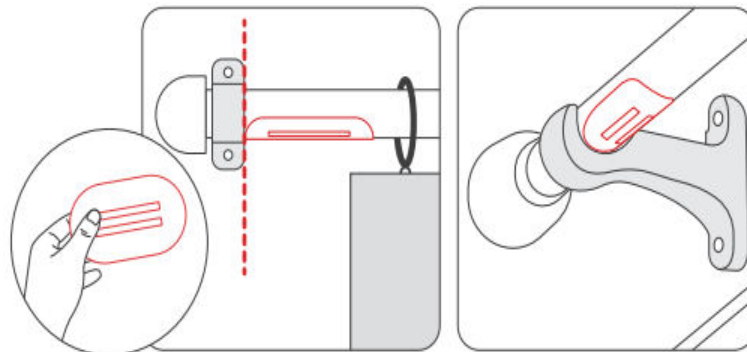
Der Magnetaufsatz hilft Ihrem SwitchBot Curtain 3 Rod, Ihre Vorhänge in Zukunft präzise zu schließen. Führen Sie die folgenden Schritte aus, um die Magnetbefestigung vor der Streckenkalibrierung zu installieren.

Um sicherzustellen, dass die Magnetbefestigung fest an der Schienenoberfläche haftet, reinigen Sie die Oberfläche bitte zuerst mit dem mitgelieferten Feuchttuch. Schmutz oder Staub beeinträchtigen die Haftung und können zu einem späteren Zeitpunkt zum Abfallen führen.



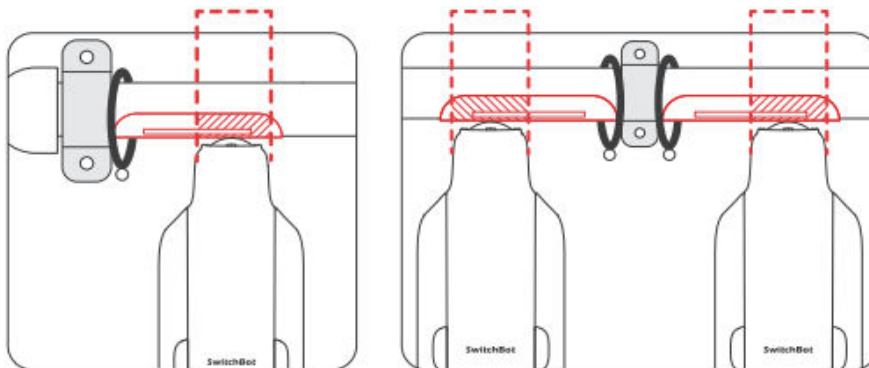
Situation 1: Eine Stangenhalterung hält die Stange in der geschlossenen Position.

1. Entfernen Sie die Magnetbefestigung von der Auskleidung. Kleben Sie ihn unten an der Straße entlang der Halterung an, wobei das Magnetstück innen parallel zur Stange liegen muss.
Wenn Sie doppelseitige Vorhänge verwenden, kleben Sie zwei Magnetbefestigungen symmetrisch auf beiden Seiten der mittleren Halterung an.



- Ziehen Sie die SwitchBot Curtain 3-Stange, lassen Sie sie auf die Magnetbefestigung rollen und halten Sie sie in dem Bereich an, der in der Abbildung gezeigt wird.

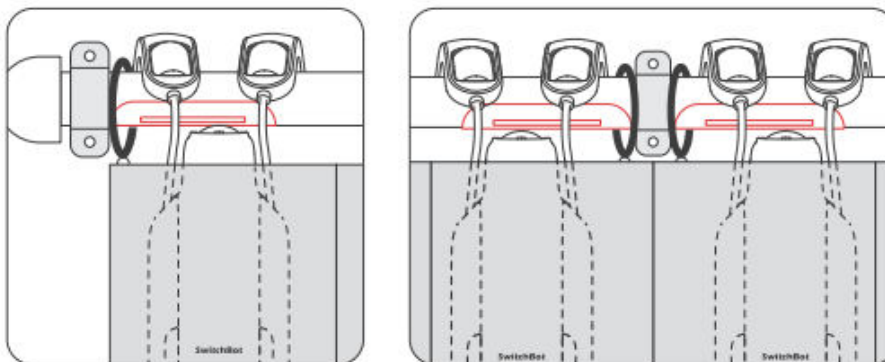
Bereich, in dem die Rolle anhalten soll



Linksschließender einseitiger Vorhang

Doppelseitiger Vorhang

- Verstecken Sie Ihre SwitchBot Curtain 3-Stange hinter Ihrem Stoffvorhang, um ihn fertigzustellen.



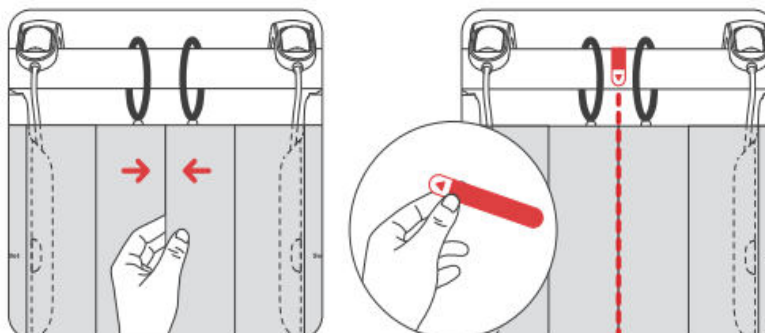
Linksschließender einseitiger Vorhang

Doppelseitiger Vorhang

Situation 2: Doppelseitige Vorhänge ohne Bügel in der Mitte

- Ziehen Sie Ihre Vorhänge vollständig zu. Verwenden Sie den roten langen Aufkleber, um die mittlere Position zu markieren.

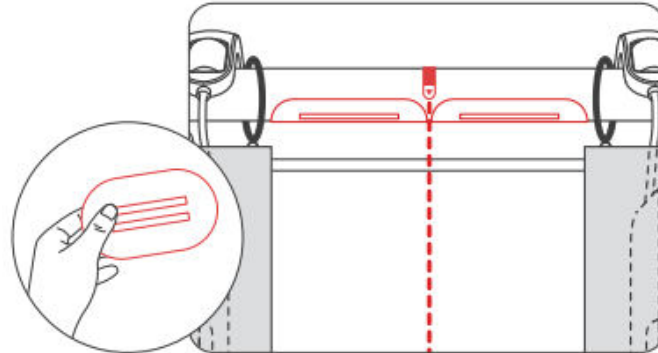
Bitte beachten Sie: Wenn Sie die Position nur mit Ihren Augen messen, kann es zu Abweichungen kommen. Bitte verwenden Sie unbedingt den mitgelieferten Aufkleber.



2. Öffnen Sie Ihre Vorhänge. Ziehen Sie die Klebestreifen Ihrer Magnetbefestigungen ab und kleben Sie sie symmetrisch auf beiden Seiten der gestrichelten Linie auf.

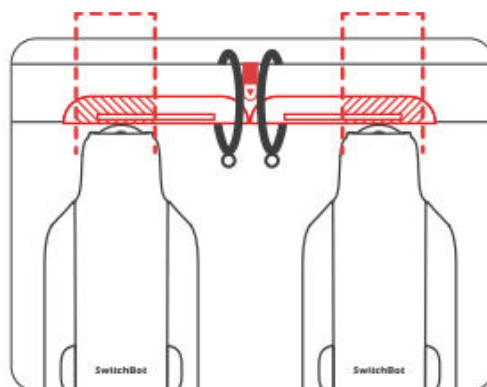
Bitte beachten:

- a. Zwei Magnetbefestigungen müssen nahe beieinander liegen und die Stange am unteren Ende umschließen.
- b. Die Magnetteile in den Aufsätzen müssen parallel zur Stange verlaufen.

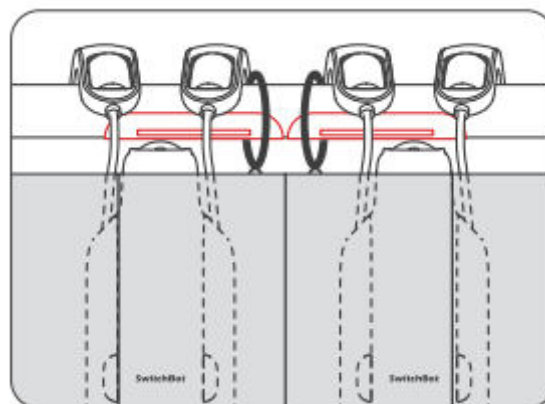


3. Ziehen Sie Ihre beiden SwitchBot Curtain 3 Rod-Geräte separat, lassen Sie sie auf die Magnetbefestigung rollen und halten Sie sie in dem Bereich an, der auf dem Bild zu sehen ist.

Bereich, in dem die Rolle anhalten soll



4. Entfernen Sie den roten Aufkleber. Verstecken Sie die SwitchBot Curtain 3-Stange zum Schluss hinter Ihren Stoffvorhängen.



Schritt 4: Kalibrierung

Nachdem Sie SwitchBot Curtain 3 installiert haben, müssen Sie Ihr Gerät kalibrieren, um seine Route auf Ihrer Vorhangschiene festzulegen. Bitte folgen Sie den Anweisungen in unserer App, um sicherzustellen, dass die tatsächliche Bewegung Ihres Vorhangs mit der Animation in der App übereinstimmt. Sie können Ihr Gerät jederzeit neu kalibrieren oder seine Öffnungsrichtung ändern, indem Sie zu Vorhang > Einstellungen > Kalibrierung navigieren.

Bitte beachten Sie: Sie können zwei SwitchBot Curtain 3 Geräte gruppieren, wenn Sie Ihre Vorhänge von der Mitte aus öffnen möchten. Bevor Sie kalibrieren, vergewissern Sie sich bitte, dass die Positionen beider Geräte gleich sind, wie in unserer App angezeigt.

Kontrollmethoden

App-Steuerung

Öffnen und schließen Sie Ihre Vorhänge mit nur einem Tastendruck. Wir bieten eine intuitive App-Steuerung für iOS- und Android-Benutzer mit wöchentlichen/zweiwöchentlichen Updates. OTA-Firmware-Updates sind ebenfalls verfügbar, um Ihnen ein besseres Nutzererlebnis zu bieten.

Anfassen und loslegen

Wenn SwitchBot Curtain 3 erkennt, dass Sie Ihre Vorhänge ziehen (mehr als 5 cm Abstand), öffnet oder schließt sich Ihr Gerät automatisch, je nachdem, wo sich Ihr Gerät befindet. Bei doppelseitigen Vorhängen müssen Sie zur Aktivierung an einer Seite ziehen.

Bitte beachten Sie: Sie können diese Funktion jederzeit auf der Seite Erweiterte Einstellungen Ihres Geräts deaktivieren.

5 cm verringert die Möglichkeit von Fehlauslösungen durch Fremdkörper, Haustiere, Kinder usw.

Hausautomatisierung mit Sprachbefehlen*

Sie können mehrere intelligente Assistenten von Drittanbietern mit Ihrem SwitchBot-Konto verknüpfen, um Ihren SwitchBot Curtain 3 zu steuern oder Szenen per Sprachbefehl auszulösen.

Wie man Sprachsteuerung und Hausautomation realisiert:

- Verbinden Sie Ihr Smartphone oder Ihren Tisch mit dem Internet.
- Einrichten eines SwitchBot Hub (separat erhältlich)
- Aktivieren Sie die Cloud-Dienste über die Einstellungsseite von SwitchBot Curtain 3.
- Verknüpfen Sie Dienste von Drittanbietern mit Ihrem SwitchBot-Konto.

Alexa, close the curtains.

Hey Google, close my bedroom curtains.

Hey Siri, open the living room curtains.

SwitchBot Hub erforderlich (separat erhältlich)

Verwendung Ihres Geräts mit SwitchBot Remote



Eine drahtlose Fernbedienung, die Sie überall platzieren können. Sie können Ihren SwitchBot Curtain 3 auch mit der SwitchBot-Fernbedienung (separat erhältlich) mit zwei Tasten auf der Fernbedienung steuern, die über unsere App als Aktion festgelegt werden können. Eine Fernbedienung kann auch 2 SwitchBot Curtain 3-Geräte steuern, die gruppiert wurden. Weitere Informationen finden Sie im Benutzerhandbuch oder in der Fernbedienung.

Geräteeinstellungen

Lichtsensor (Solarpanel)

Wenn Sie Ihren SwitchBot Curtain 3 an das SwitchBot-Solarmodul (separat erhältlich) anschließen, können Sie auf der Grundlage der Lichtstärkedaten Automatisierungen einrichten. Die Lichtpegelkurve zeigt Ihnen die optimale Zeitspanne des Sonnenlichts an einem Tag an, und Sie können den automatischen Ladeplan für Ihren SwitchBot Curtain 3 entsprechend einstellen.

Verzögerung

Sie können eine Verzögerung für eine Countdown-Aktion einstellen, einschließlich Countdown-Zeit, Prozentsatz des Öffnens oder Schließens und Bewegungsmodus.

Zeitpläne

Sie können bis zu 5 Zeitpläne lokal auf Ihrem Gerät oder unbegrenzt viele Zeitpläne bei Verwendung mit einem SwitchBot Hub einstellen. Sie können den Tag, die Uhrzeit, den Prozentsatz des Öffnens oder Schließens und den Bewegungsmodus einstellen.

Aufladen, Aktualisieren der Firmensoftware und Zurücksetzen auf Werkseinstellungen

Aufladen

Es dauert etwa 6,5 Stunden, um den Akku Ihres Geräts vollständig aufzuladen, und dieser kann nach einer vollständigen Aufladung bis zu 8 Monate lang halten. Sie können auch das SwitchBot-Solarmodul kaufen, um es mit Sonnenlicht aufzuladen.

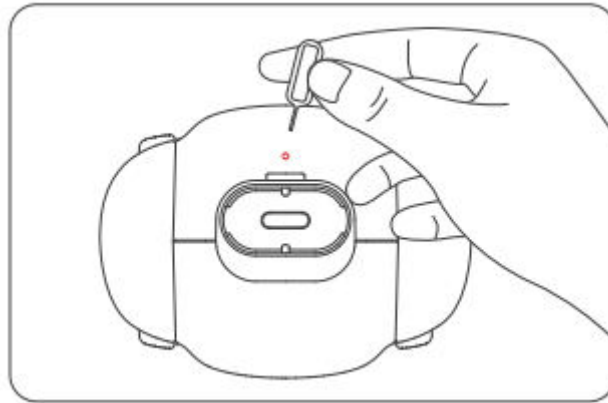
1. Zum Aufladen Ihres Geräts ist ein 5V= 1A-Adapter erforderlich.
2. Die Batterielebensdauer wird durch das Öffnen und Schließen von 8 kg schweren Vorhängen auf einer 3 m langen Schiene einmal täglich bei einer Temperatur von 25 °C getestet. Die tatsächliche Batterielebensdauer kann je nach den verschiedenen Bedingungen variieren.
3. Unser neues SwitchBot-Solarmodul kann bei nur 3 Stunden Sonneneinstrahlung pro Tag, die einen deutlichen Schatten werfen kann, genügend Strom erzeugen, um Ihren SwitchBot Curtain 3 für immer zu erhalten.

Das Upgrade-Solarmodul hat die Effizienz auch bei schwachem Sonnenlicht erheblich verbessert. Solange Ihr Fenster Sonnenlicht empfangen kann, empfehlen wir Ihnen den Kauf unseres Solarmoduls, um Ihr Gerät aufzuladen. Auf diese Weise können Sie sicherstellen, dass Ihr SwitchBot Curtain 3 immer mit Strom versorgt wird und einsatzbereit ist, wann immer Sie ihn brauchen.

Firmware-Updates

Um die Nutzererfahrung zu verbessern, werden wir regelmäßig Firmware-Updates veröffentlichen, um neue Funktionen einzuführen und Softwarefehler zu beheben, die während der Nutzung auftreten können. Wenn eine neue Firmware-Version verfügbar ist, senden wir über unsere App eine Upgrade-Benachrichtigung an Ihr Konto. Wenn Sie ein Upgrade durchführen, stellen Sie bitte sicher, dass Ihr Produkt über einen ausreichenden Akku verfügt und dass sich Ihr Smartphone in Reichweite befindet, um Störungen zu vermeiden.

Zurücksetzen der Werkseinstellungen



Verwenden Sie das mitgelieferte Rückstellwerkzeug, um die Rückstelltaste 3 Sekunden lang gedrückt zu halten, bis die Anzeigeleuchte sichtbar ist, und lassen Sie sie dann los.

Spezifikationen

| | |
|---|--|
| Farbe | Weiß |
| Material | ABS + PC (Anti-UV, Feuerwiderstandsklasse V-0) |
| Größe (Haupteinheit) | 42 x 51 x 173 mm (1,7 x 2 x 6,8 in.) |
| Gewicht (Haupteinheit) | 280 g (9,9 oz.) |
| Strom | Typ-C, DC 5V $\overline{\text{=}}$ 1A, 3350 mAh Lithium-Ionen-Akku oder mit Solarpanel |
| Lebensdauer der Batterie | 8 Monate oder unbegrenzt mit Solarpanel |
| Netzwerk-Konnektivität | Bluetooth 5.0, Übertragung mit großer Reichweite |
| Tragfähigkeit | Tragen Sie einen Vorhang von bis zu 15 kg (33 lbs) (Form kontrollierte Experimente in unserem Labor) |
| Max. Höhe | 3 m (9,8 ft) |
| Zeitplan | Bis zu 5, oder unbegrenzt mit einem SwitchBot Hub |
| Sprachsteuerung (SwitchBot Hub erforderlich) | Amazon Alexa, Google Assistant, Siri Shortcuts, SmartThings, IFTTT |

Bitte beachten Sie: Wir empfehlen, Ihr Gerät nur bei Zimmertemperatur zu verwenden.

1. Das SwitchBot-Solarmodul ist separat erhältlich.
2. Die Batterielebensdauer wurde unter den Bedingungen des Öffnens und Schließens eines 8 kg schweren Vorhangs auf einer 3 m langen Schiene einmal pro Tag bei einer Temperatur von 25 °C getestet. Die tatsächliche Lebensdauer der Batterie kann variieren.
3. SwitchBot Hub ist separat erhältlich.

Garantiebedingungen

Auf ein neues Produkt, das im Vertriebsnetz von Alza gekauft wurde, wird eine Garantie von 2 Jahren gewährt. Wenn Sie während der Garantiezeit eine Reparatur oder andere Dienstleistungen benötigen, wenden Sie sich direkt an den Produktverkäufer. Sie müssen den Originalkaufbeleg mit dem Kaufdatum vorlegen.

Als Widerspruch zu den Garantiebedingungen, für die der geltend gemachte Anspruch nicht anerkannt werden kann, gelten:

- Verwendung des Produkts für einen anderen Zweck als den, für den das Produkt bestimmt ist, oder Nichtbeachtung der Anweisungen für Wartung, Betrieb und Service des Produkts.
- Beschädigung des Produkts durch Naturkatastrophe, Eingriff einer unbefugten Person oder mechanisch durch Verschulden des Käufers (z. B. beim Transport, Reinigung mit unsachgemäßen Mitteln usw.).
- Natürlicher Verschleiß und Alterung von Verbrauchsmaterialien oder Komponenten während des Gebrauchs (wie Batterien usw.).
- Exposition gegenüber nachteiligen äußeren Einflüssen wie Sonnenlicht und anderen Strahlungen oder elektromagnetischen Feldern, Eindringen von Flüssigkeiten, Eindringen von Gegenständen, Netzüberspannung, elektrostatische Entladungsspannung (einschließlich Blitzschlag), fehlerhafte Versorgungs- oder Eingangsspannung und falsche Polarität dieser Spannung, chemische Prozesse wie verwendet Netzteile usw.
- Wenn jemand Änderungen, Modifikationen, Konstruktionsänderungen oder Anpassungen vorgenommen hat, um die Funktionen des Produkts gegenüber der gekauften Konstruktion zu ändern oder zu erweitern oder nicht originale Komponenten zu verwenden.

WEEE

Dieses Produkt darf gemäß der EU-Richtlinie über Elektro- und Elektronik-Altgeräte (WEEE - 2012/19 / EU) nicht über den normalen Hausmüll entsorgt werden. Stattdessen muss es an den Ort des Kaufs zurückgebracht oder bei einer öffentlichen Sammelstelle für wiederverwertbare Abfälle abgegeben werden. Indem Sie sicherstellen, dass dieses Produkt ordnungsgemäß entsorgt wird, tragen Sie dazu bei, mögliche negative Folgen für die Umwelt und die menschliche Gesundheit zu vermeiden, die andernfalls durch eine unsachgemäße Abfallbehandlung dieses Produkts verursacht werden könnten. Wenden Sie sich an Ihre örtliche Behörde oder an die nächstgelegene Sammelstelle, um weitere Informationen zu erhalten. Die unsachgemäße Entsorgung dieser Art von Abfall kann gemäß den nationalen Vorschriften zu Geldstrafen führen.

