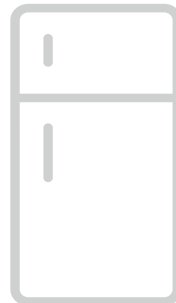


# SIGURO

## Refrigerator with Top Freezer

Refrigerator with Top Freezer  
Kühlschrank mit Gefrierfach oben  
Lednice s mrazákem nahoře  
Chladnička s mrazničkou hore  
Felülfagyasztós hűtőszekrény



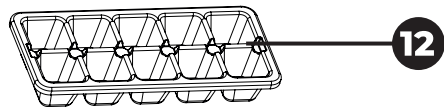
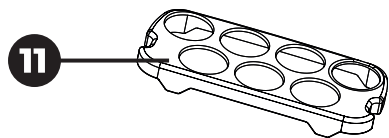
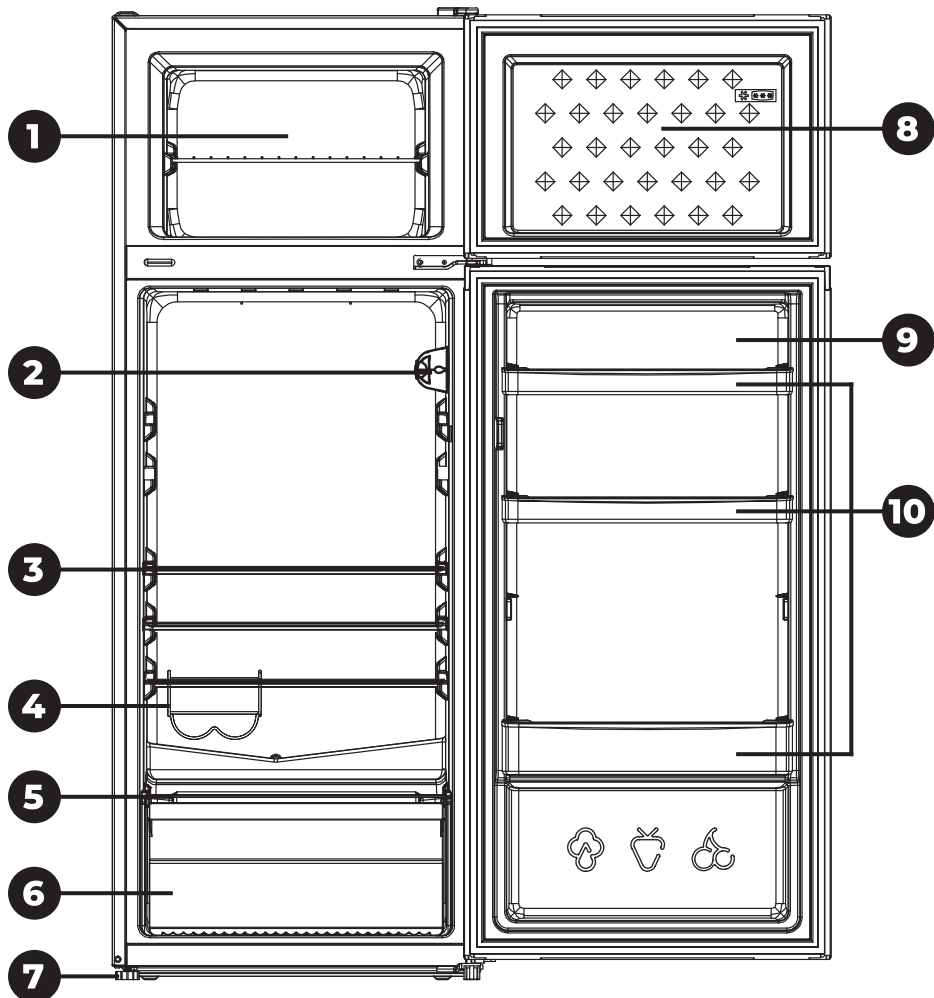
- EN Translation of the operating instructions from the original language.  
DE Übersetzung der Bedienungsanleitung aus der Originalsprache.  
**CZ **Návod k použití v originálním jazyce.****  
SK Preklad návodu na použitie z originálneho jazyka.  
HU A használati utasítás fordítása eredeti nyelvről.

SGR-TF-J140W Fresh  
SGR-TF-J140S Fresh  
SGR-TF-J140Y Fresh

# SIGURO

<b>ENGLISH</b>	<b>4</b>
Safety information	4
Technical parameters	8
Transport	8
Before use	9
Use	10
Cleaning and maintenance	12
Troubleshooting	13
Choosing door hinge side	14
<b>DEUTSCH</b>	<b>25</b>
Sicherheitshinweise	25
Technische parameter	29
Transport	29
Vorbereitung vor der Verwendung	30
Verwendung	32
Reinigung und wartung	34
Problemlösung	35
Änderung der Öffnungsrichtung der Tür	37
<b>ČESKY</b>	<b>47</b>
Bezpečnostní informace	47
Technické parametry	51
Přeprava	51
Příprava před použitím	52
Použití	53
Čištění a údržba	55
Řešení problémů	56
Otočení směru otevírání dveří	57
<b>SLOVENSKY</b>	<b>68</b>
Bezpečnostné informácie	68
Technické parametre	72
Preprava	72
Príprava pred použitím	73
Použitie	74
Čistenia a údržba	76
Riešenie problémov	77
Otočenie smeru otvárania dvierok	78
<b>MAGYAR</b>	<b>89</b>
Biztonsági információk	89
Műszaki paraméterek	93
Szállítás	93
Előkészület a használatos	94
Használat	96
Tisztítás és karbantartás	98
Problémamegoldás	99
Az ajtónyitás irányának a megváltoztatása	100





**Thank you for purchasing a SIGURO appliance. We thank you for your trust and are proud to introduce on the following pages the device, its functions and uses.**

We believe in a fair and responsible company, and therefore we only work with suppliers who meet our strict criteria to protect the interests of employees, prevent their abuse and fair working conditions.

If you need help with extensive maintenance or repair of the product's internal workings, contact the vendor's helpline or our authorized service center at siguro@alza.cz. For your convenience in solving any problems with the product, we have unified these contact points and the above contacts can be used in the event of any complaints or post-warranty service.

## **SAFETY INFORMATION**

---



**Please read this manual carefully before use and keep it for future reference.**

1. This appliance is intended for use by children 8 years of age and older and persons with reduced physical, sensory or mental capabilities, or lack of experience and knowledge, provided they have been given supervision or instruction concerning use of the appliance in a safe manner and understand the dangers.
2. Children must not play with the device.
3. Cleaning and user maintenance should never be performed by unsupervised children.
4. If the power cord is damaged, it must be replaced by the manufacturer, its service agent or similarly qualified persons in order to avoid a dangerous situation.



**WARNING: RISK OF FIRE!**

5. Children aged 3 to 8 may store food in and remove it from the appliance.
6. **WARNING:** Ventilation openings in the appliance casing or in its construction must be kept free.
7. **WARNING:** Do not use mechanical devices or means other than those recommended by the manufacturer to speed up the defrosting process.
8. **WARNING:** Do not damage the cooling circuit.
9. **WARNING:** Do not use electrical appliances in the food storage area unless they are the types recommended by the manufacturer.
10. Do not store potentially explosive substances, such as flammable-propellant sprays, in the appliance.

11. This appliance is designed for home and light commercial use, including:
  - kitchenettes in stores, offices and other workplaces;
  - guest use in hotels, motels and other residential environments;
  - bed & breakfast establishments;
  - workplace canteens and similar non-commercial uses.
12. This appliance is designed as free-standing. It is not designed for built-in or mounted use.
13. For safe food storage, always follow the instructions in this manual when using the appliance.
14. Follow these recommendations to avoid contamination of stored food:
  - Leaving the door open for long periods of time can significantly warm the storage compartment.
  - Clean food contact surfaces and accessible drainage systems regularly.
  - Clean water containers that have not been used for 48 hours or longer. Flush the appliance's water circuit when the water supply has been dry or disconnected for 5 days or longer.
  - Store raw meat and fish in the refrigerator in suitable containers, so that they do not come into contact with or drip on other foods.
  - Freezer spaces rated two stars are suitable for storing pre-frozen food, storing and making ice cream, and making ice cubes.
  - Spaces rated three stars or less are not suitable for freezing fresh food.
  - Before prolonged disuse, turn off, defrost, clean and dry the appliance, then leave the door open to prevent mold from forming inside.
15. **WARNING:** Place the appliance so as to keep the power cord from snagging or otherwise becoming damaged.
16. **WARNING:** Do not place multiple portable outlets or portable extension cords on the back of the appliance.
17. **WARNING:** Any servicing or repair involving the removal of the outer shroud is dangerous when not performed by a qualified technician. To avoid electrocution, do not attempt to repair the appliance yourself.
18. Volatile liquids and gases may leak from their containers in low temperatures.
19. Never place carbonated drinks, bottled or canned, in the freezer.
20. Ice cream can cause frostbite if consumed immediately upon removal from a freezer. It is recommended to let it thaw for at least 5 minutes.
21. Touching food in a freezer with wet hands may cause frostbite, or your hands might freeze-stick to the food, damaging your skin on removal.
22. Keep children away from the appliance's controls.
23. The appliance is heavy. Take extra care when handling it. Ideally get a second person to help you.
24. Modifying the appliance in any way is dangerous.
25. The LED lighting in the food compartment may only be replaced by an authorized service technician. Never replace the light yourself.
26. **WARNING:** Cooling appliances, particularly class-I combined cooler-freezers, may not work properly (the temperature in the frozen food compartment may rise above freezing) when exterior temperatures remain below the lower limit of the appliance's operating temperature range for prolonged periods.

27. **WARNING:** If the door or lid is equipped with a lock, the keys to the lock must be kept away from children and away from the appliance, to avoid the risk of children locking themselves in.
28. **WARNING:** The coolant and insulation materials used in this appliance require special disposal procedures.

## Electrical Connection

This appliance may only be powered from properly grounded mains outlets supplying 220–240 V ~ 50 Hz. Before plugging the appliance in, make sure the outlet voltage matches the values specified on the appliance rating plate.

This appliance may be used with a voltage converter.

The power cord should be routed behind the appliance. It should be out of the way and laid on the floor to prevent accidents.

Do not unplug the appliance by pulling on the power cord. Pull on the plug instead. Avoid using extension cords; these may degrade the appliance's performance. If the supplied power cord is too short for your needs, it is best to have a mains socket installed closer to it (by a professional electrician).

## Climate Class

The appliance's climate class is indicated on its rating plate. The climate class determines the ambient temperatures in which the appliance was designed to operate.

Climate class	Ambient temperature range
SN	10 – 32 °C (50 – 90 °F)
N	16 – 32 °C (60 – 90 °F)
ST	16 – 38 °C (60 – 100 °F)
T	16 – 43 °C (60 – 110 °F)



### Note:

The appliance's interior temperature setting should be adapted to the climate class, ambient temperature, opening frequency, etc.

Operating the appliance in conditions outside its rated climate class may degrade its performance.

## Lock

If the door or lid is equipped with a lock, the keys to the lock must be kept away from children and away from the appliance, to avoid the risk of children locking themselves in.

When disposing of the appliance, destroy the lock to prevent its further use.

## Refrigerant R600a

The R600a refrigerant and cyclopentane insulation used in this appliance are safe for the environment and the ozone layer, and have minimal global warming impacts. However, R600a is a flammable substance. When transporting, installing or otherwise handling the appliance, take care not to damage the cooling circuit, to prevent liquid or gaseous refrigerant leaks. In the event the cooling circuit is damaged and liquid or gaseous refrigerant leaks into the environment, immediately douse any open flame in the area and open all available windows.

Appliances containing refrigerants require professional, environmentally safe disposal.

Improper disposal may cause injury, fire, or other hazardous situations. Refrigerants may only be handled by qualified personnel certified to do so. Before disposal, check the cooling circuit for potential damage.

- 1 Freezer
- 2 Thermostat
- 3 Shelves
- 4 Wine rack for two bottles of wine/two 1.5l plastic bottles
- 5 Vegetables tray cover plate
- 6 Vegetables tray
- 7 Adjustable feet
- 8 Freezer door
- 9 Fridge door
- 10 Door-mounted trays
- 11 Egg tray
- 12 Ice maker tray



## TECHNICAL PARAMETERS

<b>Rated voltage</b>	220–240 V ~
<b>Rated frequency</b>	50 Hz
<b>Rated current</b>	0.4 A
<b>Rated power consumption at 16 °C ambient temp. (E<sub>16</sub>)</b>	0.262 kWh / 24 h
<b>Rated power consumption at 32 °C ambient temp. (E<sub>32</sub>)</b>	0.7 kWh / 24 h
<b>Total usable volume</b>	211 l (7.5 cu ft)
<b>Usable volume: fridge</b>	170 l (6 cu ft)
<b>Usable volume: 4-star freezer</b>	41 l (1.5 cu ft)
<b>Climate class</b>	N/ST
<b>Refrigerant type / mass</b>	R600a / 41 g
<b>Electrical safety class</b>	class I
<b>Insulator foam</b>	Cyclopentane
<b>Freezing capacity</b>	2 kg / 24 h
<b>Dimensions</b>	1,428 × 540 × 551 mm (56.3 × 21.2 × 15 in)
<b>Weight</b>	40 kg

## TRANSPORT

**The appliance must always be transported upright.** The packaging is meant to protect the appliance in transit; avoid damaging it during transport.

If there is no choice but to transport the appliance on its side, place it so that the door

cannot open, to prevent damage to it. Restore the appliance to upright position as soon as possible. After spending time horizontal, the appliance must remain upright for at least 4 hours before being plugged in, to give the refrigerant time to settle. Failing to do so risks permanent damage to the appliance, as well as a hazardous operating situation.

The appliance is heavy; we recommend at least two people handle it. Avoid carrying the appliance by the upper frame, the door, etc.

## BEFORE USE

### Unpacking

Carefully unpack the appliance and remove any tape, stickers, foil, etc.

### Selecting a Spot

Place the appliance on a hard, level surface within reach of the mains socket. To avoid excess noise and vibration, do not install on carpets, rugs or similar flooring.

The appliance is designed for domestic, indoor use. Do not install outside or in any spot exposed to rain, snow, moisture or other weather effects.

If necessary, level the appliance using its adjustable feet. Screw the feet in or out to change their height. Leveling the appliance properly is important in preventing excess noise and vibration.

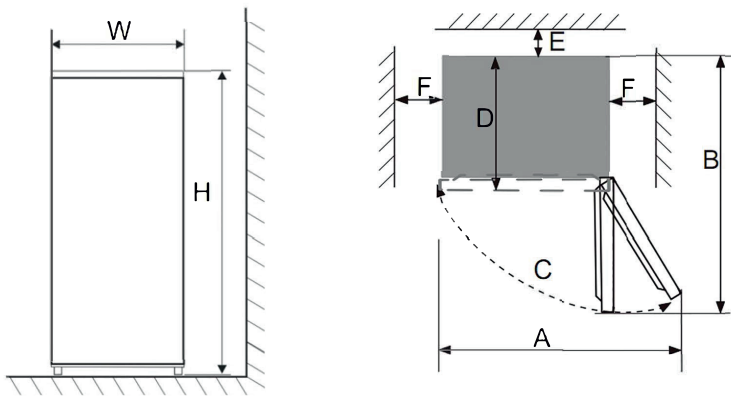
The room in which the appliance is installed should have a volume such that, when the refrigerant mass in the appliance is divided by this volume, the result is less than  $8 \text{ g} / \text{m}^3$  (0.008 oz / cu ft).

The refrigerant mass is specified on the appliance rating plate.

Provide adequate space for air to circulate around the appliance: at least 30 mm (6/5 in) above, at least 100 mm (4 in) to the sides, and at least 50 mm (2 in) behind.

### Dimensions (millimeters)

Width	Depth	Height	A	B	C (°)	E	F
540	551	1428	910	1054	130±5	50	100



Do not place the appliance near stoves, heaters, or other heat sources. Avoid exposing the appliance to direct sunlight.

Do not install in damp or dusty rooms. Do not cover the vents.

The appliance may interfere with radio and television signal reception; avoid this by placing it at a sufficient distance from such receivers.

### Cleaning Before Use

Before first use and after prolonged disuse, clean the food compartments and trays with water, either pure or with some white vinegar. Do not use detergents, solvents, hydrocarbon cleaners, etc. These might irreparably damage the finish.

### Settle-Down Time

Once installed and cleaned, wait at least 1 hour before plugging the appliance in to give the refrigerant time to settle in the cooling circuit.

### Plugging In

Plug the power cord into a properly grounded mains socket. Set the thermostat to "4" and close the door. Wait about 1 hour, then check whether the interior is getting any cooler. Wait about 3 to 4 hours before loading the food.

## USE

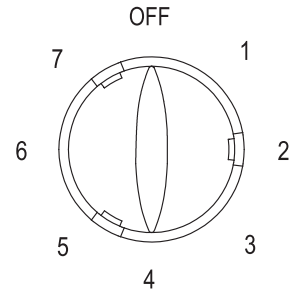
### Setting the Temperature

Turn the thermostat dial to set the target interior temperature. The "1" setting is warmest; the "7" setting is coldest. For typical use, we recommend the "4" setting.

To power off, turn the thermostat dial to "OFF".

The interior temperature at any given moment is affected by the ambient temperature, door opening frequency, and the amount of food stored.

If you see frost accumulating inside, try setting the thermostat to warmer.



### Fast Freeze

The Fast Freeze feature rapidly cools down the freezer interior. This may be useful when freezing large amounts of fresh food.

Set the thermostat to "7" about an hour before loading the food. Once the food has frozen solid, return the thermostat to your previous setting.

The freezer cools to its minimum of -18 °C (0 °F) in 1-2 hours, depending on quantity inserted.

#### Note:

Thermostat settings of 6 – 7 may be useful when ambient temperatures exceed 16 °C (60 °F). However, leaving the thermostat on this setting for the long term may accelerate icing of the freezer interior. This is normal behavior resulting from the physics of cooling air, but can be mitigated by only setting the thermostat as cold as necessary given ambient temperatures.





## Storing Food

Air cooled by the compressor circulates throughout the appliance interior, making different areas of the interior somewhat different temperatures, and therefore better suited for storing different kinds of food.

Store foodstuffs in their original packaging or in airtight containers to prevent odor and contamination of the food.

Use the fridge area to store non-frozen foods, such as cooked meals, beverages, eggs, dairy, etc. Use the tray to store fruits and vegetables. Use the freezer area to store ice cream, frozen foods, etc.

### Suggested Food Placement

<b>Door-mounted trays</b>	Beverages, jams, ketchup, eggs, etc.
<b>Tray</b>	Fruits, vegetables, refrigerator-safe herbs, etc.
<b>Top and middle shelf</b>	Meat, poultry, fish, meat products, finished meals, etc.
<b>Bottom shelf</b>	Dairy

### Ice maker

Fill with clean potable water and set in the freezer to make ice cubes.

## Shopping Tips

- Reduce waste by only buying as much as you know you can use.
- Always check the “best before” date printed on the packaging.
- Check packaging integrity.
- Check appearance and smell, particularly with fruits and vegetables. Only buy fruits and vegetables that are free of blemish.
- Save frozen foods for the last items you take when shopping, and keep them in insulated bags on the way home.
- Always check the integrity of the packaging on packaged foods.
- The freezer can only freeze a certain weight of fresh food per 24 hours of operation. You can find this value on its rating plate. Minimize door opening when freezing fresh foods.
- Before loading fresh food to be frozen, and particularly before loading already-frozen food, always check that the interior is sufficiently cold. Otherwise, frozen food might thaw before the interior cools to freezing.
- When freezing freshly prepared food, let it cool to room temperature before loading.
- Pack fresh foods in packaging sold for the purpose. Label the packages with food name, weight, and date of freezing. Packets should be dry when loaded.

## Food Storage Tips

- Regularly check the condition of all stored food; use foodstuffs before they go bad.
- Place the most frequently used items up front to reduce rummaging, allowing you to close the door again sooner.
- Do not re-freeze defrosted or partly defrosted food.
- Defrosted meat should be heat-treated, not eaten raw.
- Do not overload the fridge. Keep some amount of free space between stored items to allow the cold air to circulate throughout.
- Let food cool to room temperature before loading in the fridge.
- Minimize door opening frequency.

- Only store foods intended for refrigeration / freezing. Some foods, particularly certain fruits and vegetables, do not need to be refrigerated.
- Store food in original packaging or airtight containers to keep it from becoming contaminated or developing a foul odor.
- Do not place food packets in direct contact with the interior liner of the freezer area. Do not place water-rich foods close to the freezer area back plate to keep them from freezing stuck.
- Do not load liquid-filled glassware or canned beverages into the freezer. Water-based liquids increase in volume as they freeze, potentially destroying inflexible containers such as glass or can aluminum.

## CLEANING AND MAINTENANCE

Keep the appliance clean. Food residue may accumulate in the fridge and emit a foul odor. We recommend cleaning the shelves and trays at least once a month.

### Routine Maintenance

- Remove all food from the fridge (not the freezer), then remove the shelves and trays. Wash them in warm water with some dish detergent; rinse and wipe dry.
- Clean the fridge interior with a clean towel slightly dipped in clean, lukewarm water. Wipe dry.
- Wipe the door gasket with a soft cloth slightly dipped in warm water.
- Wipe the appliance exterior with a soft cloth slightly dipped in warm water with some dish detergent.
- Dust off the back of the appliance. You may also use a vacuum cleaner with a brush attachment on low power.



#### Warning:

Do not clean with harsh detergents, alkali, solvents, hydrocarbon cleaners, etc. Only use a soft sponge or towel. Do not use scrapers or other hard tools that might scratch the finish.

### De-Icing

Set the thermostat to "OFF", then unplug the appliance from the mains.

Remove all food from the freezer and fridge areas. Leave the freezer door open. To keep the freezer's contents from defrosting during cleaning, you may wrap it in a towel, place it in an insulated bag, and temporarily store in the cellar or other cool area, or outside out of the sun if the temperature is low enough.

Carefully remove built-up ice. Thin layers may be scraped off with a plastic scraper. Do not use hard or sharp tools. Wipe the freezer interior dry.

Plug in the appliance, set the thermostat to your usual setting, and load the food back in.

Try to minimize de-icing time to avoid your frozen food partly or entirely thawing.



#### WARNING:

**Do not use steam cleaners, hair driers, or other power appliances when de-icing.**

**Warning:**

Do not immerse the appliance, power cord or plug in water or other liquids.

**Light Replacement**

The LED lighting in the food compartment may only be replaced by an authorized service technician. Never replace the light yourself. Contact an authorized service centre instead. The light source installed in this appliance is rated G on the EU energy efficiency scale.

**Long-Term Power-Down**

When not using the appliance, keep it unplugged from the mains, with the thermostat set to "OFF". Clean the interior, including the freezer, as described above. Leave the door open to prevent a stale odor from developing inside.

**TROUBLESHOOTING**

<b>Problem</b>	<b>Cause</b>	<b>Solution</b>
Fridge not working	Plugged in badly or not at all	Plug appliance in properly.
	Blown or tripped fuse	Check fuse box.
	Power outage	Minimize door opening and wait for power restoration.
	Appliance poorly sited	Check appliance is out of direct sunlight, away from heat sources. The cooling circuit is not designed to operate at ambient temperatures below 10 °C (50 °F), and may not work properly in such conditions.
Unusual noises	Appliance poorly leveled	Use adjustable feet to re-level appliance.
	Appliance touching the wall	Move appliance away from wall.

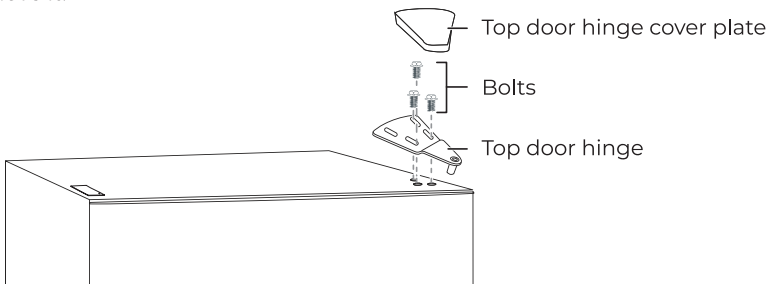
Problem	Cause	Solution
Poor cooling performance	Hot food or too much food loaded	Check food to identify items that may not need refrigeration. Let food cool down before loading.
	Door opened too often	Open door less often.
	Bad seal on door	Check and remove obstructions between door gasket and appliance body; clean gasket if required.
	Appliance sited in direct sunlight or near a heat source	Move appliance out of direct sunlight / away from heat source.
	Insufficient air circulation	Provide clearance around appliance at least as specified in "Selecting a Spot" above.
	Thermostat setting too warm	Set thermostat to colder.
Foul odor	Rotten food present in fridge	Dispose of rotten food.
	Fridge needs cleaning	Clean fridge interior.
	Improperly packaged, pungent food	Package pungent foods more thoroughly, e.g. in airtight container.

If a problem is not listed in the table above or if it persists, power down the appliance, unplug it from the mains, and contact an authorized service center.

## CHOOSING DOOR HINGE SIDE

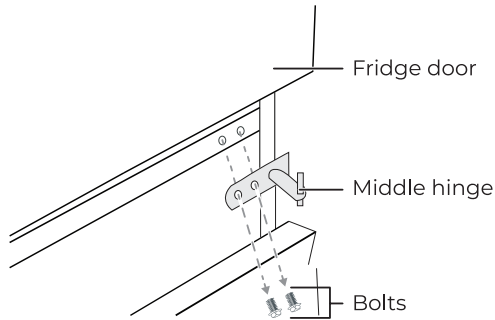
We recommend getting a second person to help with switching the door hinge from one side to the other.

1. Check that the appliance is unplugged.
2. Remove the top door hinge cover plate, unbolt the hinge (3 bolts) and carefully remove it.

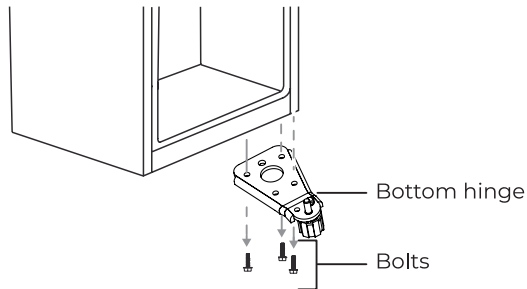


3. Carefully remove the freezer door and set it aside.

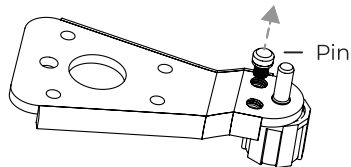
4. Unbolt the middle hinge (2 bolts).



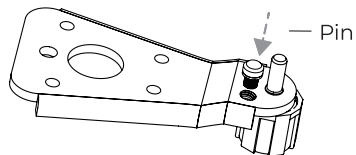
5. Carefully remove the fridge door and set it aside.  
6. Unbolt the bottom hinge and remove it.



7. Remove the spacer and nut holding the hinge pin in the bottom hinge's flange. Remove the pin.

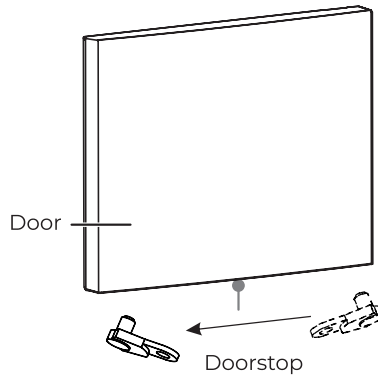


8. Move the pin to the other hole in the flange. Put on the spacer and nut, then tighten.

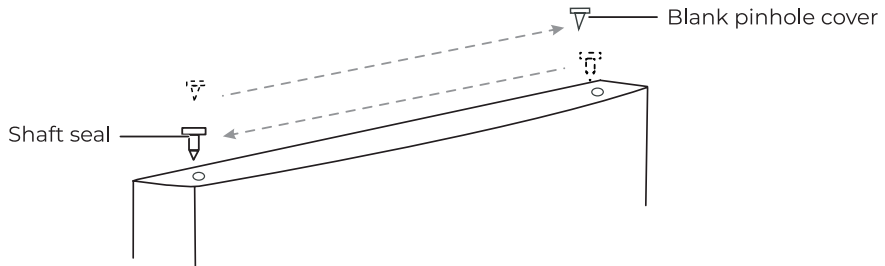


9. Mount the bottom hinge to the other side of the appliance body. Check that all bolts are tight.

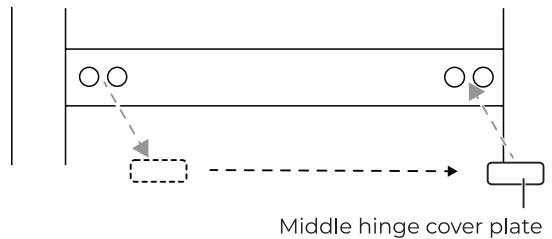
10. Loosen and remove the bolt holding the fridge door stop (at bottom of door) to the appliance body. Remove the doorstop and mount it on the other side of the body.



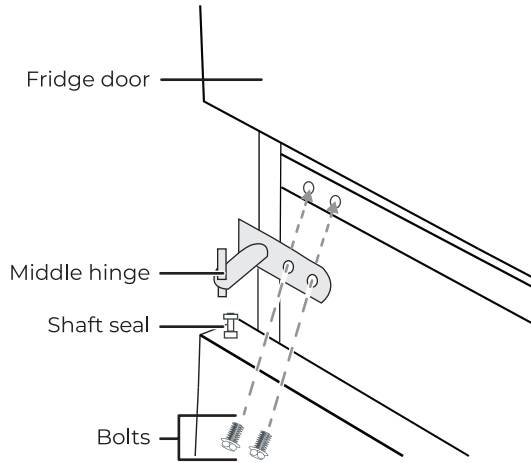
11. Mount the fridge door on its hinge.  
12. Move the working shaft seal for the upper hinge to the other side of the door top, and move the blank pinhole cover from that side to the side where the shaft seal was previously.



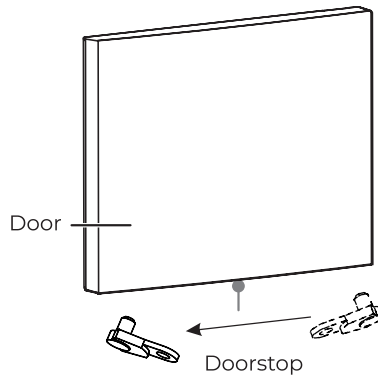
13. Remove the middle hinge cover plate and move it to the other side of the appliance body.



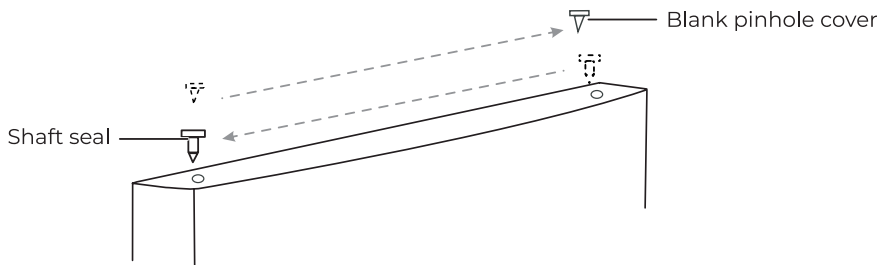
14. Mount the middle hinge to the other side of the appliance body.



15. Loosen and remove the bolt holding the freezer door stop (at bottom of door) to the appliance body. Remove the doorstop and mount it on the other side of the body.



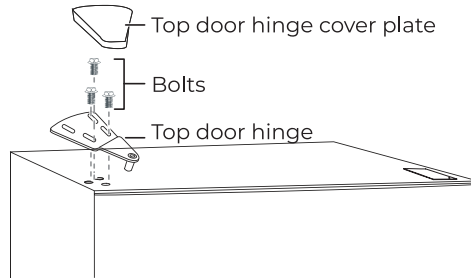
16. Mount the freezer door on its hinge.  
 17. Move the working shaft seal for the upper hinge to the other side of the door top, and move the blank pinhole cover from that side to the side where the shaft seal was previously.



18. Remove the top hinge cover plate and move it to the other side of the appliance

body.

19. Mount the top hinge on its three bolts. Before tightening these bolts, check that the door aligns well with the body and has a good seal. Replace the top hinge cover plate.



**Note:**

When remounting both doors, check that their top edges align with the appliance body. If the door is mounted poorly aligned, the door gasket is likely to lose its seal, degrading cooling performance.



# Product Information Sheet

COMMISSION DELEGATED REGULATION (EU) 2019/2016 with regard to energy labelling of refrigerating appliances

**Supplier's name or trade mark:** Siguro

**Supplier's address:** PL - SIGURO, Jankovcova 1522/53 17000 Praha Holešovice Česká republika

**Model identifier:** SGR-TF-J140W

**Type of refrigerating appliance:**

Low-noise appliance:	No	Design type:	freestanding
----------------------	----	--------------	--------------

Wine storage appliance:	No	Other refrigerating appliance:	No
-------------------------	----	--------------------------------	----

**General product parameters:**

Parameter	Value	Parameter	Value
Overall dimensions (millimetre)	Height	Total volume (dm <sup>3</sup> or l)	211
	Width		
	Depth		
EEL	100	Energy efficiency class	E
Airborne acoustical noise emissions (dB(A) re 1 pW)	41	Airborne acoustical noise emission class	C
Annual energy consumption (kWh/a)	176	Climate class:	temperate, subtropical
Minimum ambient temperature (°C), for which the refrigerating appliance is suitable	16	Maximum ambient temperature (°C), for which the refrigerating appliance is suitable	38
Winter setting	No		

**Compartment Parameters:**

		Compartment parameters and values			
Compartment type	Compartment Volume (dm <sup>3</sup> or l)	Recommended temperature setting for optimised food storage (°C) These settings shall not contradict the storage conditions set out in Annex IV, Table 3	Freezing capacity (kg/24h)	Defrosting type (auto-defrost=A, manual defrost=M)	
Pantry	No	-	-	-	-

Wine storage	No	-	-	-	-
Cellar	No	-	-	-	-
Fresh food	Yes	170,0	-	-	-
Chill	No	-	-	-	-
0-star or ice-making	No	-	-	-	-
1-star	No	-	-	-	-
2-star	No	-	-	-	-
3-star	No	-	-	-	-
4-star	Yes	41,0	-	-	-
2-star section	No	-	-	-	-
Variable temperature compartment	-	-	-	-	-
<b>For 4-star compartments</b>					
Fast freeze facility	No				
<b>Light source parameters:</b>					
Type of light source	LED				
Energy efficiency class	G				
<b>Minimum duration of the guarantee offered by the manufacturer:</b> 36 months					
<b>Additional information:</b>					
Weblink to the manufacturer's website, where the information in point4(a) Annex of Commission Regulation (EU) 2019/2019 is found: <a href="http://www.siguro.cz">www.siguro.cz</a>					

# Product Information Sheet

COMMISSION DELEGATED REGULATION (EU) 2019/2016 with regard to energy labelling of refrigerating appliances

**Supplier's name or trade mark:** Siguro

**Supplier's address:** PL - SIGURO, Jankovcova 1522/53 17000 Praha Holešovice Česká republika

**Model identifier:** SGR-TF-J140S

**Type of refrigerating appliance:**

Low-noise appliance:	No	Design type:	freestanding
----------------------	----	--------------	--------------

Wine storage appliance:	No	Other refrigerating appliance:	No
-------------------------	----	--------------------------------	----

**General product parameters:**

Parameter	Value	Parameter	Value
Overall dimensions (millimetre)	Height	Total volume (dm <sup>3</sup> or l)	211
	Width		
	Depth		
EEL	100	Energy efficiency class	E
Airborne acoustical noise emissions (dB(A) re 1 pW)	41	Airborne acoustical noise emission class	C
Annual energy consumption (kWh/a)	176	Climate class:	temperate, subtropical
Minimum ambient temperature (°C), for which the refrigerating appliance is suitable	16	Maximum ambient temperature (°C), for which the refrigerating appliance is suitable	38
Winter setting	No		

**Compartment Parameters:**

		Compartment parameters and values			
Compartment type	Compartment Volume (dm <sup>3</sup> or l)	Recommended temperature setting for optimised food storage (°C) These settings shall not contradict the storage conditions set out in Annex IV, Table 3	Freezing capacity (kg/24h)	Defrosting type (auto-defrost=A, manual defrost=M)	
Pantry	No	-	-	-	-

Wine storage	No	-	-	-	-
Cellar	No	-	-	-	-
Fresh food	Yes	170,0	-	-	-
Chill	No	-	-	-	-
0-star or ice-making	No	-	-	-	-
1-star	No	-	-	-	-
2-star	No	-	-	-	-
3-star	No	-	-	-	-
4-star	Yes	41,0	-	-	-
2-star section	No	-	-	-	-
Variable temperature compartment	-	-	-	-	-
<b>For 4-star compartments</b>					
Fast freeze facility			No		
<b>Light source parameters:</b>					
Type of light source			LED		
Energy efficiency class			G		
<b>Minimum duration of the guarantee offered by the manufacturer:</b> 36 months					
<b>Additional information:</b>					
Weblink to the manufacturer's website, where the information in point4(a) Annex of Commission Regulation (EU) 2019/2019 is found: <a href="http://www.siguro.cz">www.siguro.cz</a>					

# Product Information Sheet

COMMISSION DELEGATED REGULATION (EU) 2019/2016 with regard to energy labelling of refrigerating appliances

**Supplier's name or trade mark:** Siguro

**Supplier's address:** PL - SIGURO, Jankovcova 1522/53 17000 Praha Holešovice Česká republika

**Model identifier:** SGR-TF-J140Y

## Type of refrigerating appliance:

Low-noise appliance: No Design type: freestanding

Wine storage appliance: No Other refrigerating appliance: No

## General product parameters:

Parameter	Value	Parameter	Value
Overall dimensions (millimetre)	Height	1 428	Total volume (dm <sup>3</sup> or l)
	Width	540	
	Depth	551	
EEL	100	Energy efficiency class	E
Airborne acoustical noise emissions (dB(A) re 1 pW)	41	Airborne acoustical noise emission class	C
Annual energy consumption (kWh/a)	176	Climate class:	temperate, subtropical
Minimum ambient temperature (°C), for which the refrigerating appliance is suitable	16	Maximum ambient temperature (°C), for which the refrigerating appliance is suitable	38
Winter setting	No		

## Compartment Parameters:

Compartment parameters and values					
Compartment type	Compartment Volume (dm <sup>3</sup> or l)	Recommended temperature setting for optimised food storage (°C) These settings shall not contradict the storage conditions set out in Annex IV, Table 3	Freezing capacity (kg/24h)	Defrosting type (auto-defrost=A, manual defrost=M)	
Pantry	No	-	-	-	-

Wine storage	No	-	-	-	-
Cellar	No	-	-	-	-
Fresh food	Yes	170,0	-	-	-
Chill	No	-	-	-	-
0-star or ice-making	No	-	-	-	-
1-star	No	-	-	-	-
2-star	No	-	-	-	-
3-star	No	-	-	-	-
4-star	Yes	41,0	-	-	-
2-star section	No	-	-	-	-
Variable temperature compartment	-	-	-	-	-
<b>For 4-star compartments</b>					
Fast freeze facility			No		
<b>Light source parameters:</b>					
Type of light source			LED		
Energy efficiency class			G		
<b>Minimum duration of the guarantee offered by the manufacturer: 36 months</b>					
<b>Additional information:</b>					
Weblink to the supplier's website, where the information in point 4 of Annex II of Commission Regulation (EU) 2019/2019 is found: <a href="http://www.siguro.cz">www.siguro.cz</a>					

**Vielen Dank, dass Sie sich für ein Gerät der Marke SIGURO entschieden haben. Wir sind dankbar für Ihr Vertrauen und freuen uns, Ihnen das Gerät auf den folgenden Seiten vorzustellen und Sie mit all seinen Funktionen und Verwendungszwecken vertraut zu machen.**

Wir glauben an ein faires und verantwortungsvolles Unternehmen und arbeiten daher nur mit Lieferanten zusammen, die unsere strengen Kriterien zum Schutz der Interessen der Mitarbeiter, zur Verhinderung von Missbrauch und fairen Arbeitsbedingungen erfüllen.

Wenn Sie Hilfe bei der umfassenden Wartung oder Reparatur des Produkts benötigen, die einen Eingriff in die Innenteile erfordert, stehen Ihnen unser autorisierter Kundendienst unter der E-Mail-Adresse siguro@alza.cz oder die Hotline des Verkäufers zur Verfügung. Bei der Lösung von Problemen mit dem Produkt haben wir diese Kontaktstellen vereinheitlicht. Die oben genannten Kontakte können auch bei Beschwerden oder Nachgarantieservice genutzt werden.

## **SICHERHEITSHINWEISE**

---



**Lesen Sie vor der Anwendung sorgfältig dieses Benutzerhandbuch durch und bewahren Sie es für den künftigen Gebrauch auf.**

1. Dieses Gerät können Kinder im Alter von 8 Jahren und älter sowie Personen mit verminderten physischen, sensorischen und mentalen Fähigkeiten oder mangelnden Erfahrungen und Kenntnissen benutzen, sofern diese beaufsichtigt werden oder über die Anwendung des Gerätes auf eine sichere Weise belehrt wurden und eventuelle Gefahren verstehen.
2. Kinder dürfen nicht mit dem Gerät spielen.
3. Kinder dürfen keine Reinigungs- und Wartungsarbeiten vornehmen, falls diese nicht beaufsichtigt sind.
4. Wenn das Netzkabel beschädigt ist, muss es vom Hersteller, seinem Servicetechniker oder einer ähnlich qualifizierten Person ersetzt werden, um eine gefährliche Situation zu vermeiden.



**HINWEIS: BRANDGEFAHR!**

5. Kinder im Alter von 3 bis 8 Jahren können Lebensmittel in das Gerät geben und herausnehmen.

6. **WARNUNG:** Lüftungsöffnungen im Gehäuse oder in der Konstruktion des Geräts müssen freigehalten werden.
7. **WARNUNG:** Verwenden Sie zur Beschleunigung des Abtauvorgangs keine anderen als die vom Hersteller empfohlenen mechanischen Vorrichtungen oder Mittel.
8. **WARNUNG:** Beschädigen Sie nicht den Kühlkreislauf.
9. **WARNUNG:** Benutzen Sie keine elektrischen Geräte in dem Bereich, in dem Lebensmittel gelagert werden, sofern es sich nicht um Modelle handelt, die vom Hersteller empfohlen wurden.
10. Lagern Sie in diesem Gerät keine explosiven Stoffe wie z. B. entflammbare Treibgassprays auf.
11. Dieses Gerät ist für den Gebrauch im Haushalt und in ähnlichen Bereichen vorgesehen, wie z.B.:
  - Küchenzeilen in Geschäften, Büros und anderen Arbeitsplätzen;
  - Geräte, die von Gästen in Hotels, Motels und anderen Beherbergungsbetrieben verwendet werden;
  - Geräte, die in Bed & Breakfast-Betrieben verwendet werden;
  - Geräte, die in der Gastronomie und ähnlichen nicht kommerziellen Umgebungen verwendet werden.
12. Dieses Gerät ist als freistehendes Gerät konzipiert. Es ist nicht zum Einbau oder zur festen Installation bestimmt.
13. Verwenden Sie dieses Gerät nur gemäß den Anweisungen in dieser Anleitung. Dies gewährleistet eine sichere Lebensmittelaufbewahrung.
14. Befolgen Sie die folgenden Empfehlungen, um eine Kontamination von Lebensmitteln zu vermeiden:
  - Das Öffnen der Tür über einen längeren Zeitraum kann zu einem erheblichen Temperaturanstieg im Geräteinneren führen.
  - Reinigen Sie regelmäßig Oberflächen, die mit Lebensmitteln in Berührung kommen können, und zugängliche Abflusssysteme.
  - Reinigen Sie die Wasserbehälter, wenn diese 48 Stunden lang nicht benutzt worden sind. Spülen Sie das an die Wasserversorgung angeschlossene Wassersystem durch, wenn 5 Tage lang kein Wasser dadurch geflossen ist.
  - Lagern Sie rohes Fleisch und Fisch in geeigneten Verpackungen, damit sie nicht mit anderen Lebensmitteln in Berührung kommen oder auf diese tropfen.
  - Die Zwei-Sterne-Gefrierfächer sind die Lagerung von Tiefkühlkost, die Aufbewahrung oder Herstellung von Eis und die Herstellung von Eiswürfeln geeignet.
  - Ein-, Zwei- und Drei-Sterne-Fächer sind nicht zum Einfrieren von frischen Lebensmitteln geeignet.
  - Wenn das Kühlgerät längere Zeit leer bleibt, schalten Sie es aus, tauen Sie es ab, reinigen und trocknen Sie es und lassen Sie die Tür offen, um Schimmelbildung im Geräteinneren zu vermeiden.
15. **WARNUNG:** Achten Sie beim Aufstellen des Geräts darauf, dass das Netzkabel nicht eingeklemmt oder beschädigt wird.
16. **WARNUNG:** Platzieren Sie Mehrfachsteckdosen oder tragbare Verlängerungskabel auf der Rückseite des Geräts.



17. **WARNUNG:** Nur qualifizierte Servicetechniker dürfen Service- oder Reparaturarbeiten durchführen, bei denen u. a. die Abdeckung entfernt werden muss. Reparieren Sie das Gerät nicht selbst, um die Stromunfälle zu vermeiden.
18. Behälter mit brennbaren Gasen oder Flüssigkeiten können bei niedrigen Temperaturen entkommen oder auslaufen.
19. Geben Sie niemals in den Gefrierteil kohlenensäurehaltige oder sprudelnde Getränke, Flaschen oder Dosen.
20. Eis am Stiel sowie Eiscreme können Erfrierungen verursachen, wenn sie unmittelbar nach dem Herausnehmen aus dem Gefrierschrank gegessen werden. Warten Sie daher immer mindestens 5 Minuten, bevor Sie sie essen.
21. Berühren Sie die Lebensmittel im Gefrierschrank nicht mit nassen oder feuchten Händen. Es kann zu Hautverletzungen oder Erfrierungen kommen.
22. Sorgen Sie dafür, dass Kinder nicht mit den Bedienelementen manipulieren.
23. Das Gerät ist schwer. Seien Sie bei der Manipulation mit dem Gerät besonders vorsichtig. Wir empfehlen, dass zwei Erwachsene mit dem Gerät manipulieren.
24. Es ist gefährlich, das Gerät in irgendeiner Weise zu ändern oder zu modifizieren.
25. Die LED-Lampe, die das Innere des Geräts beleuchtet, darf nur von einem autorisierten Servicetechniker ausgetauscht werden. Wechseln Sie die Lampe niemals allein aus.
26. **WARNUNG:** Kühlgeräte – insbesondere Kühl- und Gefriergeräte des Typs I – müssen nicht ordnungsgemäß funktionieren (der Inhalt kann auftauen oder die Temperaturen im Gefrierteil können zu hoch sein), wenn sie längere Zeit unter der unteren Grenze des Temperaturbereichs liegen, für den das Kühlgerät vorgesehen ist.
27. **WARNUNG:** Türen und Deckel, die mit einem Schloss versehen sind – es ist wichtig, dass die Schlüssel für das Schloss außerhalb der Reichweite von Kindern und in ausreichender Entfernung vom Gerät aufbewahrt werden, damit sich Kindern nicht im Gerät einschließen können.
28. **WARNUNG:** Das Kältemittel im Gerät und das Isoliermaterial erfordern eine besondere Behandlung bei der Entsorgung des Geräts.

## Stromanschluss

Dieses Gerät muss an eine ordnungsgemäß geerdete 220-240 V ~ 50 Hz Steckdose angeschlossen werden. Vergewissern Sie sich vor dem Anschluss des Geräts an das Stromnetz, dass die Spannung in Ihrer Steckdose, mit der auf dem Typenschild des Geräts angegebenen Spannung übereinstimmt.

Das Gerät ist für die Verwendung mit einem Spannungswandler vorgesehen. Das Netzkabel muss hinter dem Gerät führen. Es sollte nicht offen liegen oder herunterhängen, um versehentliche Verletzungen zu vermeiden.

Trennen Sie das Gerät niemals durch Ziehen am Netzkabel von der Netzsteckdose. Ziehen Sie immer am Stecker.

Benutzen Sie kein Verlängerungskabel, da dies die Leistung des Geräts beeinträchtigen könnte. Wenn das Netzkabel zu kurz ist, wenden Sie sich an einen qualifizierten Elektromonteur oder einen Servicetechniker, um eine Steckdose in der Nähe des Geräts zu installieren.

## Klimaklasse

Informationen über die Klimaklasse sind dem Typenschild des Geräts zu entnehmen. Es informiert über die Temperaturen (Temperaturen im Raum, in dem das Gerät steht), die optimal für den Betrieb des Geräts sind.

Klimaklasse	Umgebungstemperaturbereich
SN	Von 10 °C bis 32 °C
N	Von 16 °C bis 32 °C
ST	Von 16 °C bis 38 °C
T	Von 16 °C bis 43 °C



### Bemerkung:

Die Betriebstemperatur des Geräts muss je nach Klimaklasse, Umgebungstemperatur, Häufigkeit des Öffnens der Tür usw. eingestellt werden.

Wenn das Gerät innerhalb der Klimaklasse betrieben wird, für die es nicht vorgesehen ist, funktioniert es möglicherweise nicht richtig.

## Verschluss

Wenn das Gerät mit einem Schloss ausgestattet ist, bewahren Sie den Schlüssel an einem sicheren Ort (nicht in der Nähe des Geräts) außerhalb der Reichweite von Kindern auf, damit Sie sich nicht versehentlich im Gerät einschließen können.

Bevor Sie das Gerät umweltgerecht entsorgen, vernichten oder entwerten Sie das Schloss, so dass es nicht mehr verwendet werden kann.

## Kühlmittel R600a

Das Kältemittel R600a und das Isoliermaterial Cyclopentan, die in Kühlgeräten verwendet werden, sind umweltfreundlich, schädigen die Ozonschicht nicht und haben eine sehr kleine Auswirkung auf die globale Erwärmung. Das im Kühlkreislauf enthaltene Kältemittel R600a ist jedoch brennbar. Seien Sie während des Transports, der Installation oder der anderen Manipulation mit dem Gerät besonders vorsichtig, um den Kühlkreislauf nicht zu beschädigen, wodurch das Kältemittel oder Kältemittelgase entkommen könnten. Wenn der Kühlkreislauf beschädigt ist und Kältemittel oder Kältemittelgase entkommen, löschen Sie sofort jedes offene Feuer und öffnen Sie die Fenster.

Geräte, die Kältemittel und Kältemittelgase enthalten, müssen umweltgerecht und fachgerecht entsorgt werden. Eine unsachgemäße Entsorgung kann zu Verletzungen, Entzündungen oder anderen gefährlichen Situationen führen. Mit Kältemittel und Kältemittelgasen darf nur eine qualifizierte Person mit gültiger Zertifizierung manipulieren. Vergewissern Sie sich vor der Entsorgung, dass der Kühlkreislauf nicht beschädigt ist.

- 1 Gefrierteil
- 2 Thermostat
- 3 Regal
- 4 Halterung für zwei Weinflaschen/zwei PET-Flaschen (1,5 Liter)
- 5 Abdeckung für Gemüsefach
- 6 Gemüsefach
- 7 Verstellbare FüÙe
- 8 Tür des Gefrierteils
- 9 Kühlschranktür
- 10 Türfächer
- 11 Eierhalter
- 12 Eiswürfelform



## TECHNISCHE PARAMETER

<b>Nennspannung</b>	220–240 V ~
<b>Nennfrequenz</b>	50 Hz
<b>Nennstrom</b>	0,4 A
<b>Stromverbrauch E<sub>16</sub></b>	0,262 kWh/24 h
<b>Stromverbrauch E<sub>32</sub></b>	0,7 kWh/24 h
<b>Nutzbare Gesamtvolumen</b>	211 l
<b>Volumen des Bereichs für die Kühlung frischer Lebensmittel</b>	170 l
<b>Volumen des Gefrierteils 4 Sterne</b>	41 l
<b>Klimaklasse</b>	N/ST
<b>Kältemittelart / Kältemittelgewicht</b>	R600a/41 g
<b>Schutzklasse gegen Stromschlag</b>	Klasse I
<b>Schaumstoffisolierung</b>	Cyclopentan
<b>Gefrierkapazität</b>	2 kg/24 h
<b>Abmessungen</b>	1428 × 540 × 551 mm
<b>Gewicht</b>	40 kg

## TRANSPORT

Das Gerät darf nur in aufrechter Position transportiert werden. Das Verpackungsmaterial dient dem Schutz des Geräts während des Transports und muss während des

Transports unversehrt bleiben.

Wenn das Gerät unbedingt in horizontaler Lage transportiert werden muss, so ist es so zu platzieren, dass sich die Türen nicht öffnen und somit nicht beschädigt werden. Danach muss das Gerät in aufrechte Position gestellt werden. Das Einstecken des Netzsteckers und das Einschalten des Geräts dürfen frühestens 4 Stunden nach dem Aufstellen des in aufrechte Position Geräts durchgeführt werden, damit sich das Kältemittel im Kühlsystem setzen kann. Andernfalls könnte das Gerät irreversibel beschädigt werden, was zu einer gefährlichen Situation führen könnte.

Das Gerät ist schwer und wir empfehlen daher, dass bei der Manipulation mindestens zwei Personen anwesend sind. Vermeiden Sie es, das Gerät am oberen Rahmen, an der Tür usw. zu tragen.

## **VORBEREITUNG VOR DER VERWENDUNG**

---

### **Auspacken des Geräts**

Packen Sie das Gerät vorsichtig aus und entfernen Sie alle Bänder, Etiketten oder sonstige Folien.

### **Auswahl des Installationsortes**

Stellen Sie das Gerät auf eine feste und gerade Oberfläche in ausreichender Entfernung von der Netzsteckdose auf. Stellen Sie den Kühlschrank nicht auf Teppichen, Matten oder ähnlichem Material auf, da dies zu unerwünschten Vibrationen und übermäßigen Geräuschen führen kann.

Dieses Gerät ist für den Gebrauch im Haushalt und innerhalb von Gebäuden vorgesehen. Stellen Sie es nicht im Freien oder an einem Ort auf, an dem es Regen, Schnee, Feuchtigkeit oder anderen Witterungsbedingungen ausgesetzt ist.

Falls erforderlich, gleichen Sie den Kühlschrank aus. Hierzu dienen die verstellbaren Füße. Schrauben Sie sie heraus oder hinein, um den Kühlschrank auszugleichen. Es ist wichtig, dass das Gerät waagrecht steht, da es sonst zu unerwünschten Vibrationen und übermäßigen Geräuschen kommen kann.

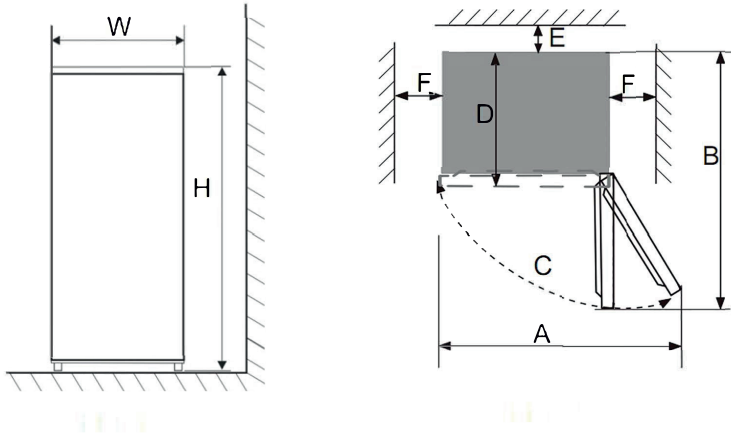
Das Ergebnis des Verhältnisses zwischen der Kältemittelfüllmenge im Gerät und der Gesamtfläche des Raumes, in dem das Gerät aufgestellt ist, muss weniger als  $8 \text{ g/m}^3$  betragen.

Die Menge des Kältemittels ist dem Typenschild zu entnehmen.

Um das Gerät herum muss ein ausreichender Freiraum für eine gute Luftzirkulation gewährleistet werden: mindestens 30 mm oberhalb des Geräts, mehr als 100 mm an den Seiten und mindestens 50 mm hinter dem Gerät.

## Abmessungen in mm

W (Breite)	D (Tiefe)	H (Höhe)	A	B	C (°)	E	F
540	551	1428	910	1054	130±5	50	100



Stellen Sie den Kühlschrank nicht in der Nähe von Öfen, Heizungen oder anderen Wärmequellen auf. Vermeiden Sie, dass der Kühlschrank direktem Sonnenlicht ausgesetzt wird.

Stellen Sie den Kühlschrank nicht in feuchten oder staubigen Räumen auf. Verdecken Sie niemals die Belüftungsöffnungen.

Der Kühlschrank kann Störungen bei Rundfunk- und Fernsehgeräten verursachen. Vergewissern Sie sich, dass der Kühlschrank in ausreichender Entfernung zu diesen Geräten aufgestellt wird.

## Reinigung vor der Verwendung

Vor der Erstverwendung oder wenn Sie den Kühlschrank längere Zeit nicht benutzt haben, reinigen Sie den Innenraum und die Fächer mit sauberem Wasser, eventuell können Sie etwas weißen Essig ins Wasser geben. Verwenden Sie auf keinen Fall Reinigungsmittel, Lösungsmittel, Benzin usw., da Sie die Oberfläche beschädigen und den Kühlschrank irreparabel beschädigen könnten.

## Wie lange Sie den Kühlschrank stehen lassen sollen

Warten Sie nach der Installation und Reinigung mindestens 1 Stunde, bevor Sie den Stecker in die Steckdose stecken, um einen ordnungsgemäßen Betrieb zu gewährleisten. Während dieser Zeit wird das Kältemittel gleichmäßig im Kreislauf verteilt.

## Anschluss an die Stromquelle

Stecken Sie den Stecker in eine ordnungsgemäß geerdete Steckdose. Stellen Sie den Thermostat auf 4 und schließen Sie die Tür. Warten Sie etwa 1 Stunde und prüfen Sie, ob die Temperatur im Kühlschrank gefallen ist. Warten Sie etwa 3 bis 4 Stunden, bevor Sie Lebensmittel in den Kühlschrank geben.

## VERWENDUNG

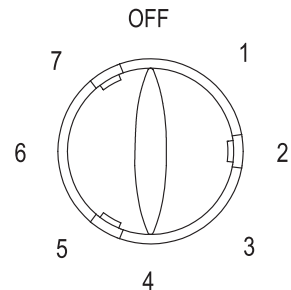
### Temperatureinstellung

Stellen Sie mit dem Thermostat die Temperatur in einem Bereich von 1 bis 7 ein, wobei „1“ die höchste und „7“ die niedrigste Temperatur darstellt. Die empfohlene Einstellung beträgt 4.

Wenn Sie den Kühlschrank ausschalten möchten, drehen Sie den Thermostat auf „OFF“.

Die Temperatur im Inneren des Kühlschranks hängt von der Umgebungstemperatur, der Häufigkeit des Öffnens der Tür und der Menge der gelagerten Lebensmittel ab.

Wenn sich im Kühlschrank eine Eiskruste bildet, erhöhen Sie die Temperatur.



### Funktion Fast Freeze

Die Funktion Fast Freeze dient zum schnellen Abkühlen des Innenbereichs des Gefrierteils. Die Schnellkühlung ist nützlich, wenn größere Mengen frischer Lebensmittel einfrieren müssen.

Drehen Sie den Thermostat auf den Wert „7“ etwa eine Stunde, bevor Sie Lebensmittel hineinlegen. Wenn die Lebensmittel richtig gefroren sind, drehen Sie den Thermostat wieder auf den ursprünglichen Wert zurück.

Der Gefrierschrank kühlt auf den Mindestwert (-18 °C) in etwa 1 bis 2 Stunden ab, in Abhängigkeit von der Menge der eingelegten Lebensmittel.

#### Bemerkung:



Stellen Sie den Thermostat auf 6 und 7 ein, wenn die Umgebungstemperatur über 16 °C liegt. Allerdings kann sich bei diesem Wert schneller Frost bilden, wenn der Thermostat über einen längeren Zeitraum auf diesen Wert eingestellt ist. Es handelt sich um eine normale Erscheinung. Stellen Sie daher den Thermostat entsprechend der aktuellen Umgebungstemperatur ein.

### Lagerung von Lebensmitteln

Die kalte Luft zirkuliert im gesamten Bereich des Kühlschranks, so dass die Temperatur in den verschiedenen Bereichen des Kühlschranks unterschiedlich ist und daher verschiedene Arten von Lebensmitteln an verschiedenen Stellen gelagert werden sollten.

Geben Sie in den Kühlschrank originalverpackte Lebensmittel oder Lebensmittel in luftdichten Behältern, um unangenehme Gerüche oder eine mögliche Kontamination zu vermeiden.

Bewahren Sie im Kühlschrank frische Lebensmittel wie gekochte Speisen, Getränke, Eier, Milchprodukte usw. im Kühlfach auf. Lagern Sie Gemüse und Obst in der Schublade. Eis, Tiefkühlkost, Lebensmittel usw. sollten im Gefrierteil gelagert werden.

### Anordnung der Lebensmittel im Kühlschrank

<b>Türfächer</b>	Getränke, Konfitüren, Würzmittel (z. B. Senf), Eier
<b>Schublade</b>	Obst, Gemüse und Kräuter, die im Kühlschrank aufbewahrt werden sollen.

<b>Oberes und mittleres Regal</b>	Fleisch, Geflügel oder Fisch, Fleischprodukte, Fertiggerichte usw.
<b>Unteres Regal</b>	Milchprodukte

### **Eiswürfelform**

Füllen Sie die Eiswürfelform mit sauberem Trinkwasser und stellen Sie ihn in den Gefrierteil.

### **Beim Einkaufen von Lebensmitteln:**

- Um Verschwendung zu vermeiden, sollten Sie eine Einkaufsliste erstellen und nur angemessene Mengen Lebensmittel kaufen.
- Achten Sie immer auf das Verfallsdatum, das der Verpackung zu entnehmen ist.
- Überprüfen Sie den Zustand der Verpackung auf Schäden.
- Kontrollieren Sie vor allem bei Obst und Gemüse deren Aussehen und Geruch. Kaufen Sie nur „makelloser“ Obst und Gemüse.
- Legen Sie Tiefkühlkost zuletzt in den Einkaufskorb und verwenden Sie spezielle Beutel für deren Transport.
- Überprüfen Sie beim Kauf von verpackten Lebensmitteln immer, dass die Verpackung unversehrt ist.
- Beachten Sie die maximale Menge an Lebensmitteln, die innerhalb von 24 Stunden eingefroren werden können. Diese Angabe ist dem Typenschild zu entnehmen. Öffnen Sie während dieser Zeit die Gefriertür so wenig wie möglich.
- Vergewissern Sie sich immer, dass der Innenbereich ausreichend abgekühlt ist, bevor Sie tiefgekühlte oder frische Lebensmittel hineinlegen, insbesondere wenn im Innenbereich bereits gefrorene Lebensmittel aufbewahrt werden. Andernfalls könnten sie auftauen.
- Lassen Sie heiße Speisen vor dem Einfrieren vollständig abkühlen.
- Verpacken Sie frische Lebensmittel in Tüten, um deren Haltbarkeit zu verlängern. Markieren Sie sie mit Namen, Gewicht und Datum. Die Beutel sollten vor dem Hineinlegen in den Gefrierteil trocken sein.

### **Bei der Lagerung von Lebensmitteln:**

- Kontrollieren Sie regelmäßig den Zustand der gelagerten Lebensmittel und verzehren Sie sie rechtzeitig.
- Legen Sie Lebensmittel, die Sie regelmäßig essen oder zubereiten, nach vorne. Dies verkürzt die Zeit, während der die Tür geöffnet ist.
- Aufgetaute oder teilweise aufgetaute Lebensmittel sollten nicht wieder tiefgekühlt werden.
- Aufgetautes Fleisch sollte gekocht werden.
- Bewahren Sie nicht zu viele Lebensmittel im Kühlschrank auf. Sorgen Sie dafür, dass um die Lebensmittel herum ein freier Raum gewährleistet wird, damit kalte Luft ungehindert fließen kann.
- Lassen Sie heiße Speisen abkühlen, bevor Sie sie in den Kühlschrank geben.
- Öffnen Sie die Kühlschranktür nicht zu oft.
- Bewahren Sie nur Lebensmittel im Kühlschrank auf, die für die Aufbewahrung im Kühlschrank bestimmt sind. Einige Lebensmittel, insbesondere Obst und Gemüse, müssen nicht im Kühlschrank aufbewahrt werden.
- Geben Sie in den Kühlschrank originalverpackte Lebensmittel oder Lebensmittel in luftdichten Behältern, um unangenehme Gerüche oder eine mögliche Kontamination zu vermeiden.

- Wenn Sie Lebensmittel im Gefrierteil aufbewahren, halten Sie Abstand zur Innenwand. Stellen Sie wasserhaltige Lebensmittel nicht zu nah an die Rückwand, damit sie nicht anfrieren.
- Stellen Sie keine mit Flüssigkeit gefüllten Gläser oder Getränke in Dosen in den Gefrierteil. Es besteht die Gefahr von Schäden, da eingefrorene Flüssigkeiten an Volumen zunehmen.

## REINIGUNG UND WARTUNG

---

Halten Sie den Kühlschrank sauber. Essens- oder Lebensmittelreste können einen unangenehmen Geruch im Kühlschrank verursachen. Wir empfehlen, die Regale, Schubladen und Fächer mindestens einmal im Monat zu reinigen.

### Routinemäßige Wartung

- Nehmen Sie alle Lebensmittel aus dem Kühlschrank, aber nicht aus dem Gefrierteil, und dann die Regale, Schubladen und Fächer heraus. Waschen Sie diese Teile in warmem Wasser mit etwas Geschirrspülmittel, spülen Sie sie ab und wischen Sie sie trocken.
- Wischen Sie den Innenbereich des Kühlschranks mit einem sauberen Tuch ab, das ein wenig mit sauberem, lauwarmem Wasser angefeuchtet ist. Wischen Sie sie trocken.
- Wischen Sie die Türdichtung mit einem weichen mit etwas warmem Wasser angefeuchteten Tuch ab.
- Wischen Sie die äußere Oberfläche des Kühlschranks mit einem weichen mit etwas warmem Wasser mit Geschirrspülmittel angefeuchteten Tuch ab.
- Entfernen Sie den Staub auf der Rückseite des Kühlschranks. Sie können auch einen Staubsauger mit Bürstendüse benutzen, der auf eine niedrige Leistung eingestellt ist.



#### Warnung:

Verwenden Sie zur Reinigung keine scharfen Reinigungsmittel, alkalische Reiniger, Lösungsmittel, Benzin usw. Verwenden Sie nur einen weichen Schwamm oder Lappen. Verwenden Sie keinen Topfkratzer oder andere Materialien, die Kratzer auf der Oberfläche verursachen könnten.

### Abtauen

Drehen Sie den Thermostat in die Position OFF und ziehen Sie den Stecker aus der Steckdose.

Nehmen Sie alle Lebensmittel aus dem Kühl- und Gefrierteil. Lassen Sie die Tür des Gefrierteils geöffnet. Wir empfehlen, die Lebensmittel in ein Tuch zu wickeln und in Einkaufstüten für den Transport von Tiefkühlkost zu legen. Lagern Sie die Lebensmittel im kühlssten Raum Ihrer Wohnung oder Ihres Hauses oder bei niedrigen Außentemperaturen im Schatten.

Entfernen Sie vorsichtig den Frost. Sie können einen Plastikschaber verwenden, um den Frost zu entfernen. Benutzen Sie keine scharfen Gegenstände. Wischen Sie das Innere des Gefrierteils trocken.

Legen Sie die Lebensmittel wieder ein, stecken Sie den Stecker in die Steckdose und stellen Sie den Thermostat ein.

Die Auftauvorgang sollte so kurz wie möglich sein, um ein Auftauen oder teilweises Auftauen der Lebensmittel zu vermeiden.



**WARNUNG:**

Verwenden Sie niemals einen Dampfreiniger, Haartrockner oder ein anderes elektronisches Gerät, um das Abtauen zu beschleunigen.

**Warnung:**

Tauchen Sie das Gerät, das Netzkabel oder den Stecker niemals in Wasser oder andere Flüssigkeiten.

## Auswechseln der Beleuchtung

Die LED-Lampe, die das Innere des Kühlschranks beleuchtet, darf nur von einem autorisierten Servicetechniker ausgetauscht werden. Wechseln Sie die Lampe niemals allein aus. Wenden Sie sich an eine autorisierte Servicestelle. Dieses Produkt enthält eine Lichtquelle der Energieeffizienzklasse G.

## Ausschalten des Kühlschranks über einen längeren Zeitraum

Wenn Sie den Kühlschrank über einen längeren Zeitraum nicht benutzen, stellen Sie den Thermostat in die Position OFF und ziehen Sie den Stecker aus der Steckdose. Reinigen Sie den Innenbereich, einschließlich des Gefrierteils, wie oben beschrieben. Lassen Sie die Tür offen, um unerwünschte Geruchsbildung zu vermeiden.

## PROBLEMLÖSUNG

Problem	Ursache	Lösung
Der Kühlschrank kühlt nicht.	Der Stecker ist nicht oder falsch in die Steckdose eingesteckt.	Stecken Sie den Stecker richtig in die Steckdose.
	Der Leitungsschutzschalter ist rausgeflogen oder die Sicherung ist durchgebrannt.	Überprüfen Sie den Leitungsschutzschalter oder die Sicherung.
	Die Stromzufuhr wurde unterbrochen.	Schränken Sie das Öffnen der Tür ein und warten Sie, bis die Stromzufuhr wiederhergestellt ist.
	Der Kühlschrank ist an einem ungeeigneten Ort installiert.	Achten Sie darauf, dass der Kühlschrank nicht dem direkten Sonnenlicht, einer Wärmequelle, ausgesetzt ist. Wenn das Gerät an einem Ort installiert wird, an dem die Temperatur unter 10 °C fällt, funktioniert der interne Kühlkreislauf möglicherweise nicht richtig.

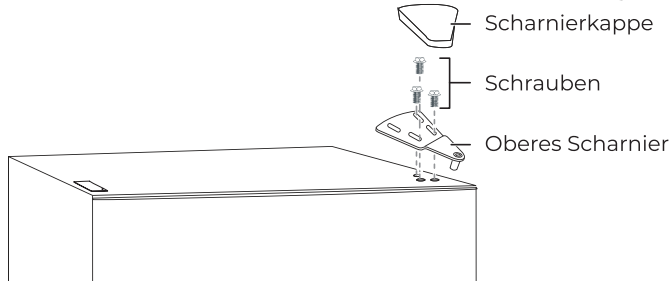
<b>Problem</b>	<b>Ursache</b>	<b>Lösung</b>
Der Kühlschrank macht ein ungewöhnliches Geräusch.	Der Kühlschrank steht nicht waagrecht.	Gleichen Sie den Kühlschrank mit den Füßen aus.
	Der Kühlschrank berührt die Wand.	Ziehen Sie den Kühlschrank von der Wand weg.
Der Kühlschrank kühlt nicht ausreichend ab.	Es befinden sich zu viele Lebensmittel im Kühlschrank oder Sie haben heiße Lebensmittel hineingelegt.	Überprüfen Sie, ob alle Lebensmittel für die Aufbewahrung im Kühlschrank geeignet sind. Lassen Sie warme Lebensmittel abkühlen, bevor Sie sie in den Kühlschrank geben.
	Sie öffnen die Tür zu oft.	Begrenzen Sie das Öffnen der Tür.
	Die Tür dichtet nicht richtig.	Entfernen Sie eventuelle Hindernisse zwischen der Türdichtung und dem Körper des Gefriergeräts, evtl. können Sie die Dichtung reinigen.
	Der Kühlschrank ist direktem Sonnenlicht oder einer anderen Wärmequelle ausgesetzt.	Stellen Sie den Kühlschrank um.
	Um den Kühlschrank herum ist nicht genug Platz für eine ausreichende Luftzirkulation.	Stellen Sie den Kühlschrank um.
	Sie haben die Temperatur zu hoch eingestellt.	Senken Sie die Temperatur.
Im Inneren des Kühlschranks riecht es unangenehm.	Im Kühlschrank sind verdorbene Lebensmittel.	Entsorgen Sie sie verdorbenen Lebensmittel.
	Der Kühlschrank muss gereinigt werden.	Reinigen Sie den Innenbereich des Kühlschranks.
	Lebensmittel mit starkem Aroma sind unzureichend verpackt.	Kontrollieren Sie solche Lebensmittel und geben Sie sie in einen luftdichten Behälter.

Wenn das Problem nicht in der obigen Tabelle angeführt ist oder das Problem nicht behoben werden konnte, schalten Sie das Gerät aus, ziehen Sie den Stecker des Netzkabels aus der Steckdose und wenden Sie sich an eine autorisierte Servicestelle.

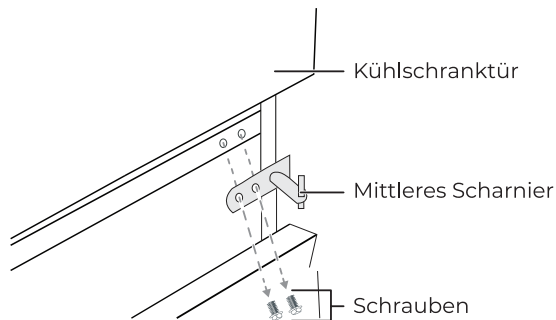
# ÄNDERUNG DER ÖFFNUNGSRICHTUNG DER TÜR

Wir empfehlen, dass zwei Personen die Öffnungsrichtung der Tür ändern.

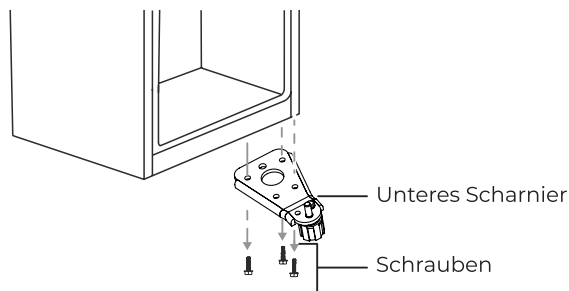
1. Vergewissern Sie sich, dass der Stecker aus der Steckdose gezogen ist.
2. Entfernen Sie die obere Abdeckung des Scharniers, schrauben Sie die drei Schrauben des oberen Scharniers ab und nehmen Sie es vorsichtig heraus.



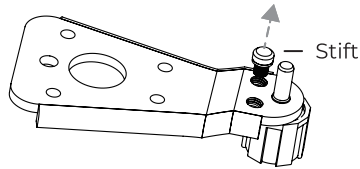
3. Nehmen Sie vorsichtig die Tür des Gefrierteils heraus und legen Sie sie beiseite.
4. Lösen und entfernen Sie zwei Schrauben, die das mittlere Scharnier halten.



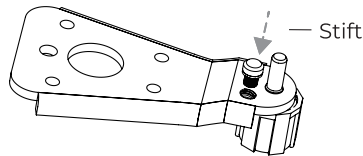
5. Nehmen Sie vorsichtig die Külschranktür heraus und legen Sie sie beiseite.
6. Schrauben Sie die Schrauben im unteren Scharnier heraus und entfernen Sie das untere Scharnier.



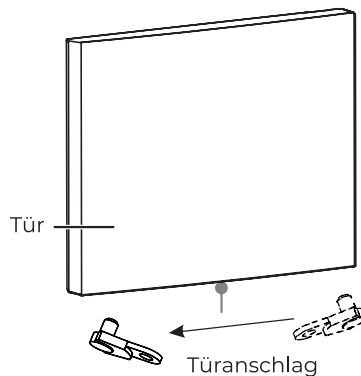
7. Entfernen Sie die Unterlegscheibe und die Mutter, mit denen der Stift im rechten Loch des unteren Scharniers befestigt ist. Nehmen Sie dann den Stift heraus.



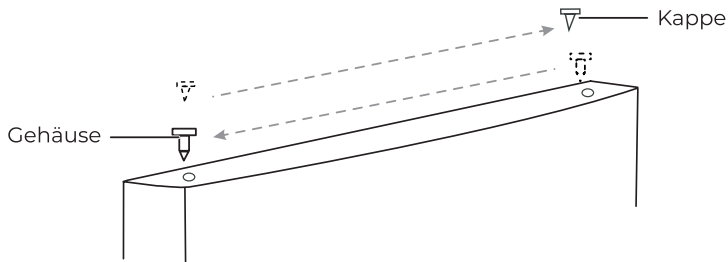
8. Schieben Sie den Stift in das linke Loch des unteren Scharniers. Setzen Sie die Mutter mit der Unterlegscheibe und ziehen Sie sie nach.



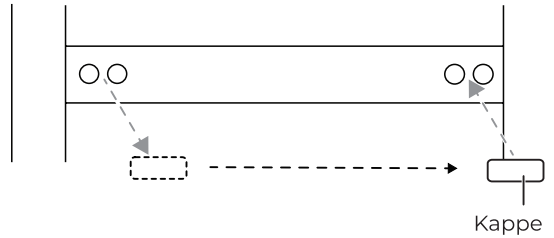
9. Installieren Sie das untere Scharnier auf der anderen Seite. Vergewissern Sie sich, dass die Schrauben richtig angezogen sind.  
10. Lösen und entfernen Sie die Schraube des Türanschlages des Kühlschranks unten rechts an der Tür. Entfernen Sie den Türanschlag und bringen Sie ihn auf der anderen Seite an.



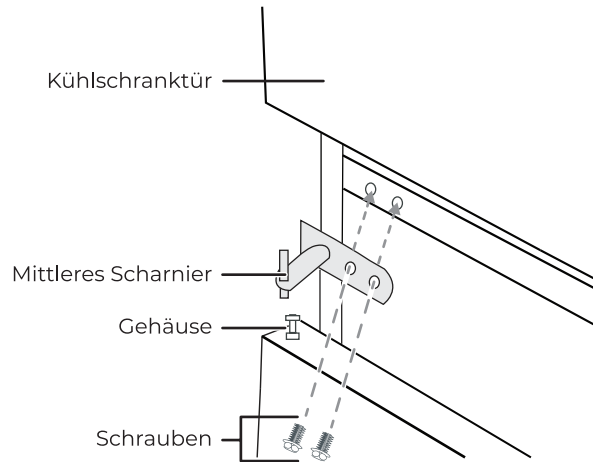
11. Montieren Sie die Tür.  
12. Montieren Sie das Türgehäuse von einer Oberseite der Tür zur anderen Seite. Geben Sie die Kappe auf die andere Seite.



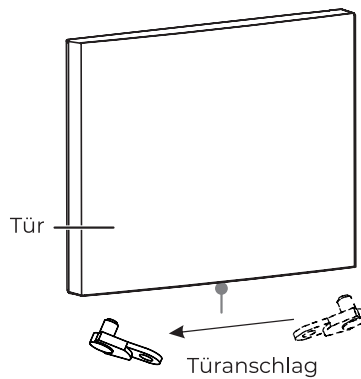
13. Entfernen Sie die Kappe am Loch zur Befestigung des mittleren Scharniers und bringen Sie es auf der anderen Seite an.



14. Installieren Sie das mittlere Scharnier auf der anderen Seite.

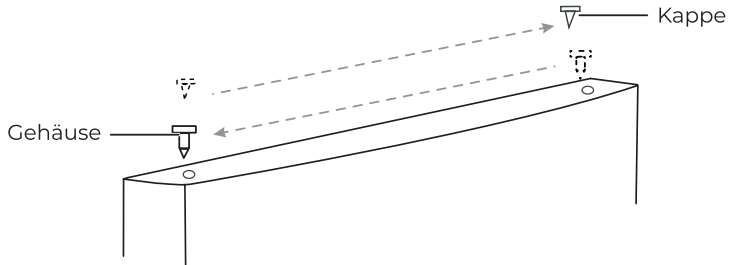


15. Lösen und entfernen Sie die Schraube des Türanschlags des Gefrierteils an der unteren Seite der Tür. Entfernen Sie den Türanschlag und bringen Sie ihn auf der anderen Seite an.

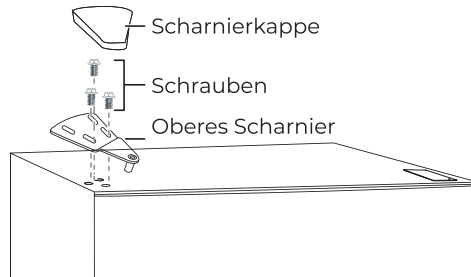


16. Montieren Sie die Tür des Gefrierteils.

17. Montieren Sie das Türgehäuse von einer Oberseite der Tür zur anderen Seite. Geben Sie die Kappe auf die andere Seite.



18. Entfernen Sie die Kappe am Loch zur Befestigung des oberen Scharniers und bringen Sie sie auf der anderen Seite an.  
 19. Installieren Sie das obere Scharnier mit den drei Schrauben. Vergewissern Sie sich, dass die Tür ausgerichtet ist und gut abdichtet, bevor Sie die Schrauben anziehen. Setzen Sie die Kappe des oberen Scharniers auf.



**Bemerkung:**

Vergewissern Sie sich bei der Installation beider Türen, dass die Dichtung gut am Kühlschrank anliegt. Wenn die Tür nicht ausgerichtet ist, kann die Gummidichtung nicht abdichten, was zu Fehlfunktionen des Kühlschranks führen kann.

# Produktdatenblatt

DELEGIERTE VERORDNUNG (EU) 2019/2016 DER KOMMISSION zur Energieverbrauchskennzeichnung von Kühlgeräten

**Name oder Handelsmarke des Lieferanten:** Siguro

**Anschrift des Lieferanten:** PL - SIGURO, Jankovcova 1522/53 17000 Praha Holešovice Česká republika

**Modellkennung:** SGR-TF-J140W

**Art des Kühlgeräts:**

Geräuscharmes Gerät:	Nein	Bauart:	freistehend
Weinlagerschrank:	Nein	Anderes Kühlgerät:	Nein

**Allgemeine Produktparameter:**

Parameter	Wert	Parameter	Wert	
Gesamtabmessungen (in Millimeter)	Höhe	1 428	Gesamtrauminhalt (in dm <sup>3</sup> oder l)	211
	Breite	540		
	Tiefe	551		
EEL	100	Energieeffizienzklasse	E	
Luftschallemissionen (in dB(A) re 1 pW)	41	Luftschallemissionsklasse	C	
Jährlicher Energieverbrauch (in kWh/a)	176	Klimaklasse:	gemäßigte Zone, subtropische Zone	
Mindestumgebungstemperatur (in °C), für die das Kühlgerät geeignet ist	16	Höchstumgebungstemperatur (in °C), für die das Kühlgerät geeignet ist	38	
Winterschaltung	Nein			

**Fachparameter:**

Fachparameter und #werte				
Fachtyp	Rauminhalt des Fachs (in dm <sup>3</sup> oder l)	Empfohlene Temperatureinstellung für eine optimierte Lebensmittellagerung (in °C) Diese Einstellungen dürfen nicht im Widerspruch zu den Lagerbedingungen nach Anhang IV	Gefrierermögen (in kg/24h)	Defrosting type (auto-defrost=A, manual defrost=M)

		Tabelle 3 stehen			
Speisekammerfach	Nein	-	-	-	-
Weinlagerfach	Nein	-	-	-	-
Kellerfach	Nein	-	-	-	-
Lagerfach für frische Lebensmittel	Ja	170,0	-	-	-
Kaltlagerfach	Nein	-	-	-	-
Null-Sterne- oder Eisbereiterfach	Nein	-	-	-	-
Ein-Stern-Fach	Nein	-	-	-	-
Zwei-Sterne-Fach	Nein	-	-	-	-
Drei-Sterne-Fach	Nein	-	-	-	-
Vier-Sterne-Fach	Ja	41,0	-	-	-
Zwei-Sterne-Abteil	Nein	-	-	-	-
Fach mit variabler Temperatur	-	-	-	-	-
<b>Für Vier-Sterne-Fächer</b>					
Schnelleinfrierfunktion			Nein		
<b>Lichtquellenparameter:</b>					
Art der Lichtquelle			LED		
Energieeffizienzklasse			G		
<b>Mindestlaufzeit der vom Hersteller angebotenen Garantie:</b> 36 Monate					
<b>Weitere Angaben:</b>					
Weblink zur Website des Herstellers, auf der die Informationen gemäß Nummer 4 Buchstabe a des Anhangs der Verordnung (EU) 2019/2019 der Kommission zu finden sind: <a href="http://www.siguro.cz">www.siguro.cz</a>					



# Produktdatenblatt

DELEGIERTE VERORDNUNG (EU) 2019/2016 DER KOMMISSION zur Energieverbrauchskennzeichnung von Kühlgeräten

**Name oder Handelsmarke des Lieferanten:** Siguro

**Anschrift des Lieferanten:** PL - SIGURO, Jankovcova 1522/53 17000 Praha Holešovice Česká republika

**Modellkennung:** SGR-TF-J140S

**Art des Kühlgeräts:**

Geräuscharmes Gerät:	Nein	Bauart:	freistehend
Weinlagerschrank:	Nein	Anderes Kühlgerät:	Nein

**Allgemeine Produktparameter:**

Parameter	Wert	Parameter	Wert	
Gesamtabmessungen (in Millimeter)	Höhe	1 428	Gesamtrauminhalt (in dm <sup>3</sup> oder l)	211
	Breite	540		
	Tiefe	551		
EEL	100	Energieeffizienzklasse	E	
Luftschallemissionen (in dB(A) re 1 pW)	41	Luftschallemissionsklasse	C	
Jährlicher Energieverbrauch (in kWh/a)	176	Klimaklasse:	gemäßigte Zone, subtropische Zone	
Mindestumgebungstemperatur (in °C), für die das Kühlgerät geeignet ist	16	Höchstumgebungstemperatur (in °C), für die das Kühlgerät geeignet ist	38	
Winterschaltung	Nein			

**Fachparameter:**

Fachparameter und #werte				
Fachtyp	Rauminhalt des Fachs (in dm <sup>3</sup> oder l)	Empfohlene Temperatureinstellung für eine optimierte Lebensmittellagerung (in °C) Diese Einstellungen dürfen nicht im Widerspruch zu den Lagerbedingungen nach Anhang IV	Gefrierermögen (in kg/24h)	Defrosting type (auto-defrost=A, manual defrost=M)

		Tabelle 3 stehen			
Speisekammerfach	Nein	-	-	-	-
Weinlagerfach	Nein	-	-	-	-
Kellerfach	Nein	-	-	-	-
Lagerfach für frische Lebensmittel	Ja	170,0	-	-	-
Kaltlagerfach	Nein	-	-	-	-
Null-Sterne- oder Eisbereiterfach	Nein	-	-	-	-
Ein-Stern-Fach	Nein	-	-	-	-
Zwei-Sterne-Fach	Nein	-	-	-	-
Drei-Sterne-Fach	Nein	-	-	-	-
Vier-Sterne-Fach	Ja	41,0	-	-	-
Zwei-Sterne-Abteil	Nein	-	-	-	-
Fach mit variabler Temperatur	-	-	-	-	-
<b>Für Vier-Sterne-Fächer</b>					
Schnelleinfrierfunktion			Nein		
<b>Lichtquellenparameter:</b>					
Art der Lichtquelle			LED		
Energieeffizienzklasse			G		
<b>Mindestlaufzeit der vom Hersteller angebotenen Garantie:</b> 36 Monate					
<b>Weitere Angaben:</b>					
Weblink zur Website des Herstellers, auf der die Informationen gemäß Nummer 4 Buchstabe a des Anhangs der Verordnung (EU) 2019/2019 der Kommission zu finden sind: <a href="http://www.siguro.cz">www.siguro.cz</a>					

# Produktdatenblatt

DELEGIERTE VERORDNUNG (EU) 2019/2016 DER KOMMISSION zur Energieverbrauchskennzeichnung von Kühlgeräten

**Name oder Handelsmarke des Lieferanten:** Siguro

**Anschrift des Lieferanten:** PL - SIGURO, Jankovcova 1522/53 17000 Praha Holešovice Česká republika

**Modellkennung:** SGR-TF-J140Y

## Art des Kühlgeräts:

Geräuscharmes Gerät:	Nein	Bauart:	freistehend
Weinlagerschrank:	Nein	Anderes Kühlgerät:	Nein

## Allgemeine Produktparameter:

Parameter	Wert	Parameter	Wert	
Gesamtabmessungen (in Millimeter)	Höhe	1 428	Gesamtrauminhalt (in dm <sup>3</sup> oder l)	211
	Breite	540		
	Tiefe	551		
EEL	100	Energieeffizienzklasse	E	
Luftschallemissionen (in dB(A) re 1 pW)	41	Luftschallemissionsklasse	C	
Jährlicher Energieverbrauch (in kWh/a)	176	Klimaklasse:	gemäßigte Zone, subtropische Zone	
Mindestumgebungstemperatur (in °C), für die das Kühlgerät geeignet ist	16	Höchstumgebungstemperatur (in °C), für die das Kühlgerät geeignet ist	38	
Winterschaltung	Nein			

## Fachparameter:

		Fachparameter und #werte		
Fachtyp	Rauminhalt des Fachs (in dm <sup>3</sup> oder l)	Empfohlene Temperatureinstellung für eine optimierte Lebensmittellagerung (in °C) Diese Einstellungen dürfen nicht im Widerspruch zu den Lagerbedingungen nach Anhang IV	Gefrierermögen (in kg/24h)	Defrosting type (auto-defrost=A, manual defrost=M)

		Tabelle 3 stehen			
Speisekammerfach	Nein	-	-	-	-
Weinlagerfach	Nein	-	-	-	-
Kellerfach	Nein	-	-	-	-
Lagerfach für frische Lebensmittel	Ja	170,0	-	-	-
Kaltlagerfach	Nein	-	-	-	-
Null-Sterne- oder Eisbereiterfach	Nein	-	-	-	-
Ein-Stern-Fach	Nein	-	-	-	-
Zwei-Sterne-Fach	Nein	-	-	-	-
Drei-Sterne-Fach	Nein	-	-	-	-
Vier-Sterne-Fach	Ja	41,0	-	-	-
Zwei-Sterne-Abteil	Nein	-	-	-	-
Fach mit variabler Temperatur	-	-	-	-	-
<b>Für Vier-Sterne-Fächer</b>					
Schnelleinfrierfunktion			Nein		
<b>Lichtquellenparameter:</b>					
Art der Lichtquelle			LED		
Energieeffizienzklasse			G		
<b>Mindestlaufzeit der vom Hersteller angebotenen Garantie:</b> 36 Monate					
<b>Weitere Angaben:</b>					
Weblink zur Website des Herstellers, auf der die Informationen gemäß Nummer 4 Buchstabe a des Anhangs der Verordnung (EU) 2019/2019 der Kommission zu finden sind: <a href="http://www.siguro.cz">www.siguro.cz</a>					

**Děkujeme, že jste si koupili spotřebič značky SIGURO. Jsme vděční za vaši důvěru a je nám radostí vám přístroj na dalších stránkách představit a seznámit vás se všemi jeho funkcemi a způsoby použití.**

Věříme ve spravedlivou a odpovědnou společnost, a proto spolupracujeme pouze s dodavateli, kteří splňují naše přísná kritéria na ochranu zájmu zaměstnanců, prevenci jejich zneužívání a férové pracovní podmínky.

Pokud potřebujete pomoci s rozsáhlou údržbou nebo opravou výrobku, která vyžaduje zásah do jeho vnitřních částí, je vám k dispozici náš autorizovaný servis na e-mailové adrese siguro@alza.cz nebo operátoři na infolince prodejce. Pro vaše pohodlí při řešení jakýchkoliv problémů s výrobkem jsme tato kontaktní místa sjednotili a výše uvedené kontakty lze využít i v případě veškerých reklamací nebo pozáručního servisu.

## BEZPEČNOSTNÍ INFORMACE



**Před použitím si prosím pozorně přečtěte tento manuál a uschovejte ho pro budoucí použití.**

1. Tento spotřebič mohou používat děti ve věku 8 let a starší a osoby se sníženými fyzickými, smyslovými nebo mentálními schopnostmi nebo nedostatkem zkušeností a znalostí, pokud jsou pod dozorem nebo byly poučeny o používání spotřebiče bezpečným způsobem a rozumí případným nebezpečím.
2. Děti si se spotřebičem nesmějí hrát.
3. Čištění a údržbu prováděnou uživatelem nesmějí provádět děti bez dozoru.
4. Jestliže je napájecí přívod poškozen, musí být nahrazen výrobcem, jeho servisním technikem nebo podobně kvalifikovanou osobou, aby se zabránilo vzniku nebezpečné situace.



**UPOZORNĚNÍ: NEBEZPEČÍ OHNĚ!**

5. Děti ve věku 3 až 8 let mohou vkládat a vyjmát potraviny ze spotřebiče.
6. **VÝSTRAHA:** Větrací otvory v krytu spotřebiče nebo v jeho konstrukci je nutné udržovat volné.
7. **VÝSTRAHA:** K urychlení odmrazovacího procesu nepoužívejte žádná mechanická zařízení nebo jiné prostředky než ty, které výrobce doporučuje.
8. **VÝSTRAHA:** Nepoškozujte chladicí obvod.
9. **VÝSTRAHA:** Nepoužívejte elektrické spotřebiče v prostoru pro uchování

- potravin, pokud se nejedná o typy doporučené výrobcem.
10. V tomto spotřebiči neukládejte výbušné látky, jako jsou spreje s hořlavým hnacím plynem.
  11. Tento spotřebič je určen pro použití v domácnosti a podobných prostorech, jako jsou:
    - kuchyňské kouty v obchodech, kancelářích a ostatních pracovištích;
    - spotřebiče používané hosty v hotelech, motelech a jiných obytných prostředích;
    - spotřebiče používané v podnicích zajišťujících nocleh se snídaní;
    - spotřebiče používané ve stravovacích a podobných neprodejních prostředích.
  12. Tento spotřebič je určen jako volně stojící. Není určen jako zabudovaný ani připevněný.
  13. Používejte tento spotřebič pouze podle pokynů uvedených v tomto návodu. Tím zajistíte bezpečné uchování potravin.
  14. Aby se zabránilo kontaminaci potravin, dodržujte následující doporučení:
    - Otevření dvířek na dlouhou dobu může způsobit výrazné zvýšení teploty v prostorách spotřebiče.
    - Pravidelně čistěte povrchy, které mohou přijít do styku s potravinami a přístupné drenážní systémy.
    - Vyčistěte vodní nádobky, pokud nebyly používány po dobu 48 hodin. Propláchněte vodní systém připojený k přívodu vody, pokud voda neprotékala po dobu 5 dnů.
    - Syrové maso a ryby ukládejte do chladničky ve vhodných obalech, tak aby nebyly v kontaktu s jinými potravinami nebo na ně nekapaly.
    - Dvuhvězdičkové mrazicí prostory jsou vhodné pro ukládání předem zmrazených potravin, uložení nebo k výrobě zmrzliny a výrobě kostek ledu.
    - Jedno, dvou a tříhvězdičkové prostory nejsou vhodné pro mražení čerstvých potravin.
    - Pokud necháváte chladicí spotřebič prázdný po dlouhou dobu, vypněte jej, odmrazte, vyčistěte, vysušte a nechte dvířka otevřená, aby se zabránilo tvorbě plísní uvnitř spotřebiče.
  15. **VÝSTRAHA:** Při umístování spotřebiče se musí zajistit, aby napájecí přívod nebyl zachycen nebo poškozen.
  16. **VÝSTRAHA:** Neumísťujte vícenásobné přenosné zásuvky nebo přenosné prodlužovací přívody na zadní stranu spotřebiče.
  17. **VAROVÁNÍ:** Je nebezpečné pro kohokoli jiného, než je kvalifikovaný servisní technik, provádět servis nebo opravy, které zahrnují odstranění krytu. Abyste zabránili riziku úrazu elektrickým proudem, neopravujte spotřebič sami.
  18. Nádoby s hořlavými plyny nebo tekutinami mohou při nízkých teplotách unikat.
  19. Do prostoru mrazáku nikdy nevkládejte sycené ani perlivé nápoje, lahve ani plechovky.
  20. Nanuky i zmrzlina mohou způsobit omrzliny, pokud je budete konzumovat ihned po vyjmutí z mrazáku. Před konzumací vždy vyčkejte alespoň 5 minut.

21. Nedotýkejte se potravin v mrazáku mokřýma nebo vlhkýma rukama. Mohlo by dojít ke zranění pokožky nebo vzniku omrzlin.
22. Zajistěte, aby děti nemanipulovaly s ovládacími prvky.
23. Spotřebič je těžký. Buďte zvláště opatrní při manipulaci se spotřebičem. Doporučujeme, aby manipulaci prováděly dvě osoby.
24. Je nebezpečné jakýmkoli způsobem provádět úpravy nebo modifikace spotřebiče.
25. LED zářivku, která osvětluje vnitřní prostor spotřebiče, smí vyměnit pouze technik autorizovaného servisu. Nikdy nevyměňujte zářivku sami.
26. **VÝSTRAHA:** Chladicí spotřebiče – zejména chladnička s mrazničkou typu I – nemusí fungovat správně (může hrozit rozmrazení obsahu nebo příliš vysoké teploty v oddílu pro mražené potraviny), pokud jsou umístěny po delší dobu pod spodní hranicí teplotního rozsahu, pro který je chladicí spotřebič určen.
27. **VÝSTRAHA:** Dvířka a víka, která jsou vybavena zámkem – je důležité, aby byly klíče od zámku uchovávány mimo dosah dětí v dostatečné vzdálenosti od spotřebiče, aby se děti nemohly ve spotřebiči zamknout.
28. **VÝSTRAHA:** Chladivo ve spotřebiči a izolační materiál vyžaduje zvláštní zacházení při likvidaci spotřebiče.

## Elektrické zapojení

Tento spotřebič musí být zapojen do řádně uzemněné zásuvky o napětí 220–240 V ~ 50 Hz. Před zapojením spotřebiče do síťové zásuvky se ujistěte, že napětí v zásuvce odpovídá napětí na typovém štítku.

Spotřebič je určen pro použití s měničem napětí.

Napájecí přívod musí být veden za spotřebičem. Neměl by být odkrytý ani viset, aby se zabránilo náhodnému zranění.

Nikdy neodpojujte spotřebič od síťové zásuvky tahem za napájecí přívod. Vždy jej odpojujte tahem za vidlici.

Nepoužívejte prodlužovací kabel, mohlo by to negativně ovlivnit výkon spotřebiče. Pokud je napájecí přívod krátký, obraťte se na kvalifikovaného elektrikáře nebo servisního technika, aby instaloval síťovou zásuvku do blízkosti spotřebiče.

## Klimatická třída

Informace o klimatické třídě je uvedena na typovém štítku spotřebiče. Udává informace o teplotách (teploty místnosti, ve které je spotřebič umístěn), při kterých je provoz spotřebiče optimální.

Klimatická třída	Rozsah okolní teploty
SN	Od 10 °C do 32 °C
N	Od 16 °C do 32 °C
ST	Od 16 °C do 38 °C
T	Od 16 °C do 43 °C



### Poznámka:

Je třeba přizpůsobit nastavení provozní teploty spotřebiče v závislosti na klimatické třídě, okolní teplotě, četnosti otevírání dveří apod.

Pokud budete provozovat spotřebič v klimatické třídě, pro kterou není spotřebič určen, nemusí spotřebič fungovat správně.

### **Zámek**

Pokud je spotřebič vybaven zámkem, uchovávejte klíč na bezpečném místě (ne v blízkosti spotřebiče) mimo dosah dětí, aby nedošlo k jejich náhodnému uvěznění uvnitř spotřebiče.

Před ekologickou likvidací spotřebiče zámek rozbijte nebo znehodnoťte, aby nebylo možné jej více používat.

### **Chladivo R600a**

Chladivo R600a a izolační materiál cyklo pentan, které se používají v chladicích zařízeních, jsou látky šetrné k životnímu prostředí, neškodí ozónové vrstvě a mají velmi malý dopad na globální oteplování. Nicméně chladivo R600a, které je obsaženo v chladicím obvodu, je hořlavé. Během přepravy, instalace nebo jiné manipulace se spotřebičem dbejte zvýšené opatrnosti, abyste nepoškodili chladicí obvod, aby nedošlo k úniku chladiva nebo chladicích plynů. Pokud by došlo k poškození chladicího obvodu a úniku chladiva nebo chladicích plynů, neprodleně uhasťte jakýkoli zdroj otevřeného ohně a otevřete okna.

Spotřebiče, které obsahují chladivo a chladicí plyny, musí být ekologicky a odborně zlikvidovány. Nesprávná likvidace může způsobit poranění, vznícení nebo vznik jiné nebezpečné situace. S chladivem a chladicími plyny může manipulovat pouze kvalifikovaná osoba s platnou certifikací. Před likvidací se ujistěte, že není chladicí obvod poškozený.



- 1 Mrazák
- 2 Termostat
- 3 Police
- 4 Držák na dvě láhve vína/dvě 1,5l PET láhve
- 5 Kryt zásuvky na zeleninu
- 6 Zásuvka na zeleninu
- 7 Nastavitelné nohy
- 8 Dvířka mrazáku
- 9 Dvířka lednice
- 10 Dveřní přihrádky
- 11 Tácek na vejce
- 12 Tvořítko na led



## TECHNICKÉ PARAMETRY

<b>Jmenovité napětí</b>	220–240 V ~
<b>Jmenovitá frekvence</b>	50 Hz
<b>Jmenovitý proud</b>	0,4 A
<b>Spotřeba energie <math>E_{16}</math></b>	0,262 kWh/24 h
<b>Spotřeba energie <math>E_{32}</math></b>	0,7 kWh/24 h
<b>Celkový užitečný objem</b>	211 l
<b>Objem prostoru pro chlazení čerstvých potravin</b>	170 l
<b>Objem mrazicího prostoru 4hvězdičky</b>	41 l
<b>Klimatická třída</b>	N/ST
<b>Typ chladiva / hmotnost chladiva</b>	R600a/41 g
<b>Třída ochrany proti úrazu elektrickým proudem</b>	I třída
<b>Pěnová izolace</b>	Cyklo pentan
<b>Mrazicí kapacita</b>	2 kg/24 h
<b>Rozměry</b>	1428 × 540 × 551 mm
<b>Hmotnost</b>	40 kg

## PŘEPRAVA

**Spotřebič musí být převážen výhradně ve vzpřímené poloze.** Obalový materiál slouží k ochraně spotřebiče během přepravy a musí být během přepravy neporušený. Pokud je to nevyhnutelné a spotřebič je nutné přepravovat v horizontální poloze, musí být položen tak, aby se dřívka neotevírala, a nedošlo tak k jejich poškození. Poté musí být spotřebič umístěn do vertikální polohy. Připojení vidlice napájecího přívodu a za-

pnutí spotřebiče se nesmí provést alespoň 4 hodiny po uvedení do vertikální polohy, aby došlo k ustálení chladiva v chladicím systému. V opačném případě může dojít k nevratnému poškození spotřebiče a vzniku nebezpečné situace.

Spotřebič je těžký a doporučujeme, aby manipulaci prováděly alespoň dvě osoby. Vyvarujte se přenášení spotřebiče za horní rám, dvířka apod.

## PŘÍPRAVA PŘED POUŽITÍM

### Vybalení spotřebiče

Opatrně chladničku vybalte a odstraňte z ní veškeré pásky, štítky nebo jiné fólie.

### Výběr místa instalace

Chladnička musí být instalována na pevném a rovném povrchu v dostatečné vzdálenosti od sítové zásuvky. Neinstalujte chladničku na koberec, rohožky nebo jiný podobný materiál, to může způsobit nežádoucí vibrace a nadměrný hluk.

Spotřebič je určen pro použití v domácnosti a uvnitř budovy. Neinstalujte jej venku nebo na místě, kde by byl vystaven dešti, sněhu, vlhkosti nebo jiným povětrnostním podmínkám.

V případě potřeby chladničku vyrovnejte. K vyrovnání slouží nastavitelné nohy. Jejich vyšroubováním nebo zašroubováním chladničku vyrovnejte. Je důležité, aby byla chladnička vyrovnána, neboť to může způsobit nežádoucí vibrace a nadměrný hluk.

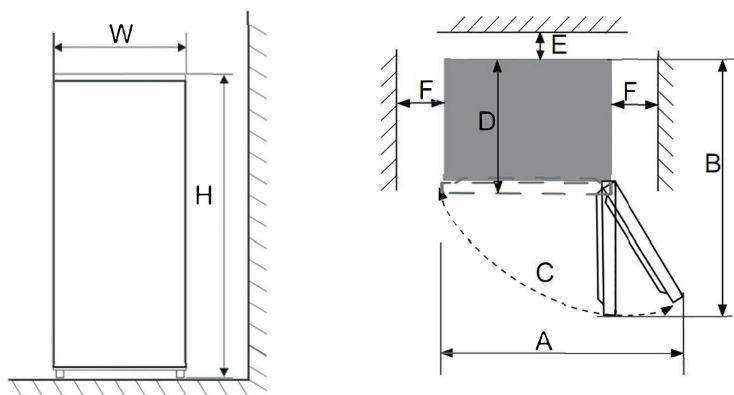
Výsledek podílu množství náplně chladiva ve spotřebiči a celkového prostoru místnosti, ve které je instalován, musí být menší než  $8 \text{ g/m}^3$ .

Množství náplně chladiva naleznete na typovém štítku spotřebiče.

Okolo spotřebiče je třeba zajistit dostatečný volný prostor pro správnou cirkulaci vzduchu: minimálně 30 mm nad spotřebičem, více než 100 mm po jeho stranách a alespoň 50 mm za spotřebičem.

### Rozměry v mm

W (šířka)	D (hloubka)	H (výška)	A	B	C (°)	E	F
540	551	1428	910	1054	130±5	50	100



Neinstalujte chladničku do blízkosti sporáku, topení nebo jiných zdrojů tepla. Zabraňte tomu, aby byla chladnička vystavena přímému slunečnímu svitu.

Chladničku neinstalujte do vlhkých nebo prašných místností. Nikdy nezakrývejte ventilační otvory.

Chladnička může způsobit rušení rádiových zařízení nebo televize. Ujistěte se, že je chladnička umístěna v dostatečné vzdálenosti od těchto zařízení.

## Čištění před použitím

Před prvním použitím, nebo pokud jste chladničku nepoužívali delší dobu, vyčistěte vnitřní prostor a veškeré police a přihrádky čistou vodou, příp. do vody přidejte trochu bílého octa. Nikdy nepoužívejte žádné čisticí prostředky, rozpouštědla, benzín apod., neboť byste mohli poškodit povrchovou úpravu a chladničku nenávratně poškodit.

## Doba stání

Po instalaci a vyčištění vyčkejte alespoň 1 hodinu před zapojením vidlice do síťové zásuvky, abyste zajistili její správný provoz. Během této doby se chladivo rovnoměrně v obvodu rozloží.

## Připojení ke zdroji napájení

Vložte vidlici napájecího přívodu do řádně uzemněné síťové zásuvky. Termostat nastavte na hodnotu 4 a zavřete dvířka. Vyčkejte asi 1 hodinu a zkontrolujte, zdali teplota uvnitř chladničky klesla. Vyčkejte asi 3 až 4 hodiny, než do chladničky vložíte potraviny.

# POUŽITÍ

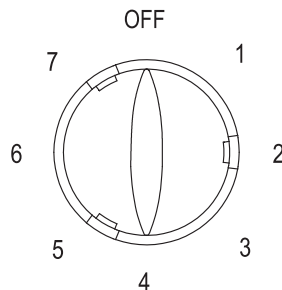
## Nastavení teploty

Teplotu nastavujte pomocí termostatu v rozmezí 1 až 7, kde hodnota „1“ představuje nejvyšší teplotu a hodnota „7“ nejnížší teplotu. Doporučené nastavení je 4.

Pokud chcete chladničku vypnout, otočte termostatem na hodnotu „OFF“.

Teplota uvnitř chladničky je ovlivněna okolní teplotou, četností otevírání dvířek a množstvím uložených potravin.

Pokud se ve vnitřním prostoru chladničky tvoří ledová křusta, vyšete teplotu.



## Funkce rychlého mrazení

Funkce rychlého mrazení slouží k rychlému vychlazení vnitřního prostoru mrazáku. Rychlé vychlazení je vhodné, pokud budete potřebovat zamrazit větší množství čerstvých potravin.

Otočte termostat na hodnotu „7“ asi hodinu před vložením potravin. Jakmile vložené potraviny řádně zmrznou, otočte termostat na původní hodnotu.

Mrazák se na svou minimální hodnotu (-18 °C) vychladí zhruba za 1 až 2 hodiny v závislosti na množství vložených potravin.



### Poznámka:

Termostat nastavený na 6 a 7 je vhodný, když je okolní teplota vyšší než 16 °C. Nicméně při této hodnotě se může rychleji tvořit námraza, pokud je termostat nastaven na tuto hodnotu dlouhodobě. Jedná se o normální jev. Upravujte proto termostat podle aktuální okolní teploty.

## Skladování potravin

Studený vzduch cirkuluje v celém prostoru chladničky, a teplota je tak v různých částech chladničky odlišná, a proto by různé druhy potravin měly být umístěny na různých místech.

Potraviny ukládejte do chladničky v původním obalu nebo ve vzduchotěsných nádobách, aby se zabránilo vzniku nepříjemného zápachu nebo případné kontaminaci.

V prostoru chladničky skladujte čerstvé potraviny, jako jsou vařená jídla, nápoje, vejce, mléčné výrobky apod. V zásuvce skladujte zeleninu a ovoce. V prostoru mrazáku skladujte zmrzlinu, mražená jídla a potraviny apod.

### Umístění potravin v chladničce

<b>Příhrádky ve dveřích</b>	Nápoje, džemy, dochucovadla (např. hořčice), vejce
<b>Zásuvka</b>	Ovoce, zelenina, bylinky, které jsou určeny ke skladování v chladničce.
<b>Horní a prostřední police</b>	Maso, drůbež nebo ryby, masné výrobky, hotová jídla apod.
<b>Spodní police</b>	Mléčné výrobky

### Tvořítko na led

Naplňte tvořítko na led čistou, pitnou vodou a vložte jej do mrazicího prostoru.

### Při nákupu potravin:

- Abyste zabránili plýtvání, vytvořte si nákupní seznam a nakupujte pouze přiměřené množství.
- Kontrolujte vždy datum spotřeby uvedený na obale.
- Kontrolujte stav obalu, aby nebyl poškozený.
- Zvláště u ovoce a zeleniny kontrolujte jejich vzhled a vůni. Nakupujte pouze „bezzvadné“ ovoce a zeleninu.
- Mražené potraviny vkládejte do nákupního košíku jako poslední a používejte speciální tašky pro převoz mražených potravin.
- Při nákupu balených potravin vždy zkontrolujte, zda je obal neporušený.
- Dodržujte maximální množství potravin, které je možné zamrazit během 24 hodin. Tento údaj je uvedený na typovém štítku. Během této doby otevírejte dvířka mrazáku co nejméně.
- Před vložením zmrazených potravin nebo čerstvých potravin, které jsou určeny k zamrazení, se vždy ujistěte, že je vnitřní prostor dostatečně vychlazený, a to zvláště pokud budete skladovat již zmrazené potraviny. V opačném případě by mohlo dojít k jejich rozmrazení.
- Před zamrazením nechte horké potraviny zcela vychladnout.
- Čerstvé potraviny zabalte do sáčků pro uchování čerstvých potravin. Označte si je názvem, hmotností a datem. Sáčky by měly být suché před vložením do mrazáku.

### Při skladování potravin:

- Pravidelně kontrolujte stav skladovaných potravin a včas je zkonzumujte.
- Potraviny, které pravidelně konzumujete nebo používáte, umístěte dopředu. Zkrátíte tím dobu, po kterou jsou dvířka otevřená.
- Rozmražené nebo částečně rozmražené potraviny již znovu nezamrazujte.
- Rozmražené maso tepelně zpracujte.
- V chladničce neskladujte příliš mnoho potravin. Zajistěte okolo potravin volný prostor, aby mohl studený vzduch volně proudit.

- Teplé potraviny nechte před jejich vložením do chladničky vychladnout.
- Neotevírejte dvířka chladničky příliš často.
- Skladujte v chladničce pouze ty potraviny, které jsou určeny ke skladování v chladničce. Některé potraviny, zvláště ovoce nebo zelenina, nevyžadují skladování v chladničce.
- Potraviny ukládejte do mrazáku v původním obalu nebo ve vzduchotěsných nádobách, aby se zabránilo vzniku nepříjemného zápachu nebo případné kontaminaci.
- Při ukládání potravin do mrazicího prostoru dodržujte vzdálenost od vnitřní stěny. Potraviny bohaté na vodu neumísťujte příliš blízko k zadní stěně, aby nedošlo k jejich přimrznutí.
- Nevkládejte do mrazáku skleněné dózy naplněné tekutinou ani nápoje v plechovkách. Hrozí jejich poškození, neboť tekutina při mražení nabývá na svém objemu.

## ČIŠTĚNÍ A ÚDRŽBA

Udržujte chladničku čistou. Zbytky jídel nebo potravin mohou v chladničce způsobit nepříjemný zápach. Doporučujeme police, zásuvku a přihrádky čistit alespoň jednou za měsíc.

### Běžná údržba

- Z prostoru chladničky, s výjimkou mrazáku, vyjměte všechny potraviny a poté police, zásuvku a přihrádky. Omyjte tyto části v teplé vodě s trochou kuchyňského saponátu, opláchněte a otřete dosucha.
- Vnitřní prostor chladničky otřete čistou utěrkou mírně navlhčenou v čisté a vlažné vodě. Otřete dosucha.
- Otřete těsnění okolo dvířek chladničky měkkou utěrkou mírně navlhčenou v teplé vodě.
- Vnější povrch chladničky otřete měkkou utěrkou mírně navlhčenou v teplé vodě s trochou kuchyňského saponátu.
- Odstraňte prach ze zadní stěny chladničky. Můžete použít vysavač s nasazenou kartáčovou hubicí a nastaveným nízkým výkonem.



#### Varování:

K čištění nepoužívejte hrubé čisticí prostředky, alkalické prostředky, rozpuštědla, benzín atd. Používejte pouze měkkou houbičku nebo utěrku. Nepoužívejte drátěnky ani jiné materiály, které by mohly způsobit poškrábání povrchu.

### Odmrazování

Otočte termostat do pozice OFF a odpojte vidlici od síťové zásuvky.

Vyjměte všechny potraviny z mrazáku i z chladničky. Nechte dvířka mrazáku otevřená. Potraviny doporučujeme zabalit do utěrky a vložit do nákupních tašek určených pro přepravu mražených potravin. Uložte potraviny do nejchladnější místnosti v bytě nebo domě, příp. ven do stínu, pokud jsou teploty venku nízké.

Opatrně odstraňte námrazu. Můžete použít plastovou škrabku k odstranění námrazy. Nepoužívejte žádné ostré předměty. Otřete vnitřní prostor mrazáku dosucha. Vložte zpět potraviny, zapojte vidlici do síťové zásuvky a nastavte termostat.

Doba odmrazování by měla být co nejkratší, aby nedošlo k rozmrazení nebo částečné-

mu rozmrazení potravin.



**VAROVÁNÍ:**

**Nikdy nepoužívejte parní čistič, vysoušeč vlasů ani jiný elektronický spotřebič k urychlení odmrazování.**



**Varování:**

Nikdy neponořujte spotřebič, napájecí přívod ani vidlici od vody ani jiné tekutiny.

## Výměna osvětlení

LED zářivku, která osvětluje vnitřní prostor chladničky, smí vyměnit pouze technik autorizovaného servisu. Nikdy nevyměňujte zářivku sami. Obratě se na autorizovaný servis. Tento výrobek obsahuje světelný zdroj s třídou energetické účinnosti G.

## Vypnutí chladničky na delší dobu

Pokud nebudete chladničku delší dobu používat, otočte termostat do pozice OFF a odpojte vidlici od síťové zásuvky. Vyčistěte vnitřní prostor, včetně mrazáku, podle pokynů výše.

Nechte dvířka otevřená, aby nedošlo k tvorbě nežádoucího pachu.

## ŘEŠENÍ PROBLÉMŮ

Problém	Příčina	Řešení
Chladnička nechladí.	Vidlice není zapojena v síťové zásuvce nebo je špatně zapojena.	Zapojte správně vidlici do síťové zásuvky.
	Jistič je spadlý nebo je vyhořelá pojistka.	Zkontrolujte jistič a pojistky.
	Došlo k přerušení dodávky elektrické energie.	Omezte otevírání dvířek a vyčkejte na obnovu dodávky.
	Chladnička je instalována na nevhodném místě.	Ujistěte se, že chladnička není vystavena přímému slunečnímu světlu, zdroji tepla. Pokud bude instalována na místě, kde teplota klesá pod 10 °C, poté nemusí vnitřní chladicí obvod fungovat správně.
Chladnička vydává nezvyklý hluk.	Chladnička není vyrovnána.	Vyrovnejte chladničku pomocí nohou.
	Chladnička se dotýká stěny.	Odtáhněte chladničku od stěny.

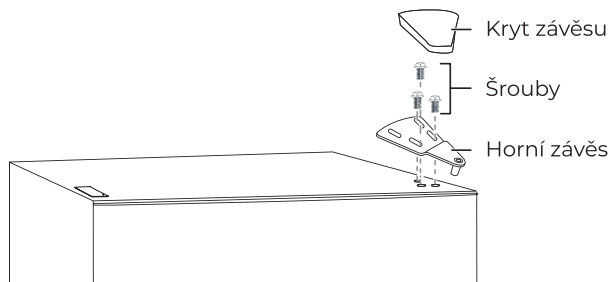
Problém	Příčina	Řešení
Chladnička nedostatečně chladí.	V chladničce je příliš mnoho potravin nebo jste vložili horké potraviny.	Zkontrolujte, zda všechny potraviny jsou určeny ke skladování v chladničce. Teplé potraviny nechte vychladnout před vložením do chladničky.
	Otevíráte příliš často dvířka.	Omezte otevírání dvířek.
	Dvířka nedostatečně těsní.	Odstraňte překážky mezi těsněním dvířek a tělem mrazáku, příp. těsnění vyčistěte.
	Chladnička je vystavena přímému slunečnímu svitu nebo jinému zdroji tepla.	Přemístěte chladničku.
	Okolo chladničky není dostatečný prostor na dostatečnou cirkulaci vzduchu.	Přemístěte chladničku.
	Nastavili jste příliš vysokou teplotu.	Snižte nastavenou teplotu.
V chladničce je nepříjemný zápach.	V chladničce jsou zkažené potraviny.	Vyhod'te zkažené potraviny.
	Chladničku je třeba vyčistit.	Vyčistěte vnitřní prostor chladničky.
	Potraviny se silným aromaem jsou nedostatečně zabaleny.	Zkontrolujte takové potraviny a vložte je do vzduchotěsné nádoby.

Pokud problém není uveden v tabulce výše nebo se problém nepodařilo vyřešit, vypněte spotřebič, odpojte zástrčku přívodního kabelu od síťové zásuvky a obraťte se na autorizované servisní středisko.

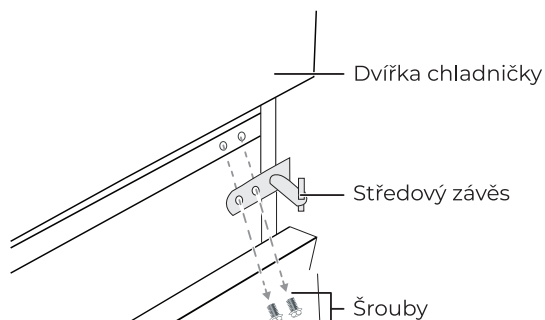
## OTOČENÍ SMĚRU OTEVÍRÁNÍ DVÍŘEK

Doporučujeme, aby otočení směru otevírání dvířek prováděly dvě osoby.

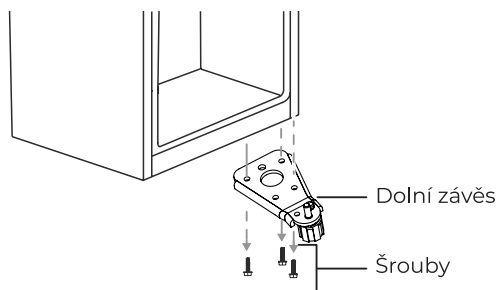
1. Ujistěte se, že je vidlice napájecího přívodu odpojena od síťové zásuvky.
2. Odstraňte kryt horního závěsu, vyšroubujte tři šrouby horního závěsu a opatrně jej vyjměte.



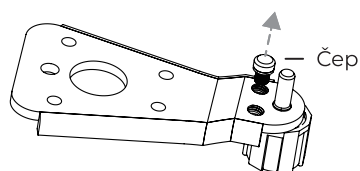
3. Opatrně vyjměte dvířka mrazáku a uložte je stranou.
4. Uvolněte a vyjměte dva šrouby, které zajišťují středový závěs.



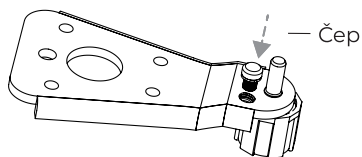
5. Opatrně vyjměte dvířka lednice a uložte je stranou.
6. Vyšroubujte šrouby dolního závěsu a odstraňte dolní závěs.



7. Vyjměte podložku a matici, které zajišťují čep v pravém otvoru dolního závěsu. Poté vyjměte čep.



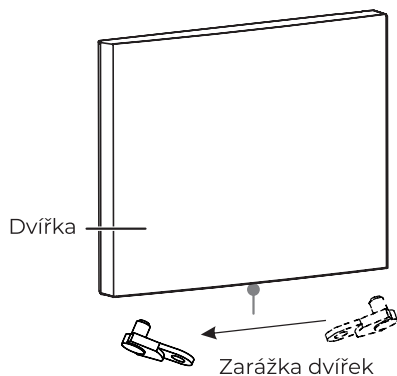
8. Čep přemístěte do levého otvoru dolního závěsu. Nasadte matici s podložkou a dotáhněte.



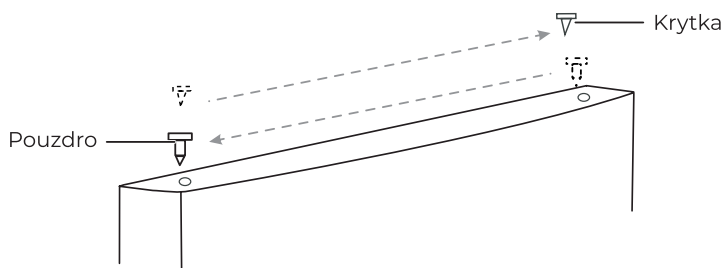
9. Dolní závěs nainstalujte na druhou stranu. Ujistěte se, že jsou šrouby správně dotaženy.



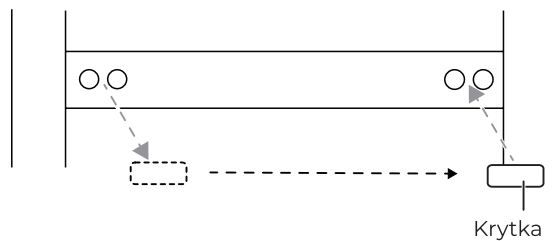
10. Uvolněte a vyjměte šroub zarážky dvířek lednice v dolní části dvířek. Zarážku vyjměte a nainstalujte ji na druhou stranu.



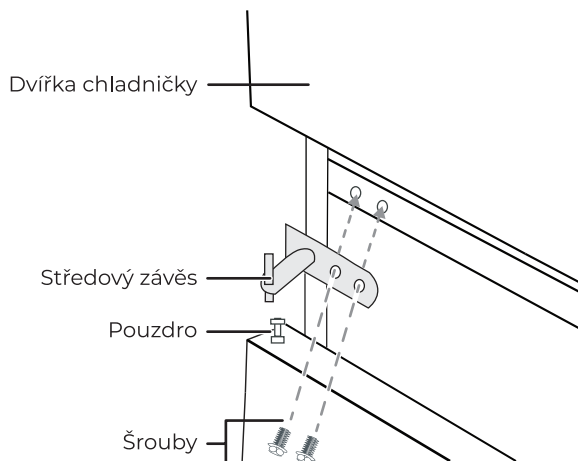
11. Nainstalujte dvířka lednice.  
12. Přešuněte pouzdro dveří z horní strany dvířek na druhou stranu. A krytku přešuněte na druhou stranu.



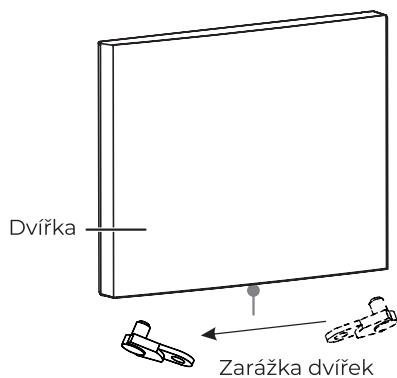
13. Odstraňte krytku otvoru pro uchycení středového závěsu a přemístěte ji na druhou stranu.



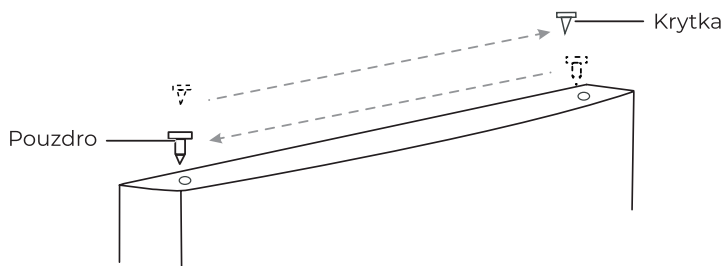
14. Středový závěs nainstalujte na druhou stranu.



15. Uvolněte a vyjměte šroub zarážky dvířek mrazáku v dolní části dvířek. Zarážku vyjměte a nainstalujte ji na druhou stranu.

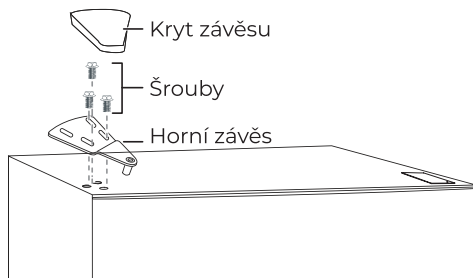


16. Nainstalujte dvířka mrazáku.  
17. Přesuňte pouzdro dveří z jedné horní strany dvířek na druhou horní stranu. A krytku přesuňte na druhou stranu.



18. Odstraňte krytku otvoru pro uchycení horního závěsu a přemístěte ji na druhou stranu.

19. Instalujte horní závěs pomocí tří šroubů. Než šrouby dotáhnete, ujistěte se, že jsou dvířka vyrovnána a dobře těsní. Nasadte kryt horního závěsu.



**Poznámka:**

Při instalaci obou dvířek se ujistěte, že těsnění dobře přiléhá k lednici. Pokud nebudou dvířka zarovnána a gumové těsnění nebude těsnit, může to způsobit nesprávné fungování lednice.

## Informační list výrobku

NAŘÍZENÍ KOMISE V PŘENESENÉ PRAVOMOCI (EU) 2019/2016 o uvádění spotřeby energie na energetických štítech chladicích spotřebičů

**Název nebo ochranná známka dodavatele:** Siguro

**Adresa dodavatele:** PL - SIGURO, Jankovcova 1522/53 17000 Praha Holešovice Česká republika

**Identifikační značka modelu:** SGR-TF-J140W

**Typ chladicího spotřebiče:**

Nízkohlučný spotřebič:	Ne	Konstrukční typ:	volně stojící
Spotřebič pro uchovávání vína:	Ne	Jiný chladicí spotřebič:	Ne

**Obecné parametry výrobku:**

Parametr	Hodnota	Parametr	Hodnota
Celkové rozměry (v mm)	Výška	Celkový objem (v dm <sup>3</sup> nebo l)	211
	Šířka		
	Hloubka		
EEL	100	Třída energetické účinnosti	E
Úroveň emisí hluku šířeného vzduchem (v dB(A) re 1 pW)	41	Třída emisí hluku šířeného vzduchem	C
Roční spotřeba energie (v kWh/rok)	176	Klimatická třída:	mírné pásmo, subtropické pásmo
Minimální teplota okolí (ve °C), pro kterou je chladicí spotřebič vhodný	16	Maximální teplota okolí (ve °C), pro kterou je chladicí spotřebič vhodný	38
Zimní nastavení	Ne		

**Parametry prostorů:**

Typ prostoru	Objem prostoru (v dm <sup>3</sup> nebo l)	Parametry a hodnoty prostorů		
		Doporučené nastavení teploty pro optimalizované uchování potravin (ve °C) Tato nastavení nesmějí být v rozporu s podmínkami uchování stanovenými v příloze IV tabulce 3	Mrazicí výkon (v kg/24h)	Defrosting type (auto-defrost=A, manual defrost=M)
Spíž	Ne	-	-	-

Uchovávání vína	Ne	-	-	-	-
S mírnou teplotou	Ne	-	-	-	-
Čerstvé potraviny	Ano	170,0	-	-	-
Zchlazovací	Ne	-	-	-	-
Bez označení hvězdičkou nebo pro výrobu ledu	Ne	-	-	-	-
Označený jednou hvězdičkou	Ne	-	-	-	-
Označený dvěma hvězdičkami	Ne	-	-	-	-
Označený třemi hvězdičkami	Ne	-	-	-	-
Označený čtyřmi hvězdičkami	Ano	41,0	-	-	-
Oddíl označený dvěma hvězdičkami	Ne	-	-	-	-
Prostor s nastavitelnou teplotou	-	-	-	-	-
<b>Pro prostory označené čtyřmi hvězdičkami</b>					
Funkce rychlého zmrazení			Ne		
<b>Parametry zdroje světla:</b>					
Typ zdroje světla			LED		
Třída energetické účinnosti			G		
<b>Minimální doba trvání záruky nabízená výrobcem:</b> 36 měsíců					
<b>Další informace:</b>					
Odkaz na internetové stránky výrobce, kde lze nalézt informace podle bodu 4 písm. a) přílohy nařízení Komise (EU) 2019/2019: <a href="http://www.siguro.cz">www.siguro.cz</a>					

## Informační list výrobku

NAŘÍZENÍ KOMISE V PŘENESENÉ PRAVOMOCI (EU) 2019/2016 o uvádění spotřeby energie na energetických štítech chladicích spotřebičů

**Název nebo ochranná známka dodavatele:** Siguro

**Adresa dodavatele:** PL - SIGURO, Jankovcova 1522/53 17000 Praha Holešovice Česká republika

**Identifikační značka modelu:** SGR-TF-J140S

**Typ chladicího spotřebiče:**

Nízkohlučný spotřebič:	Ne	Konstrukční typ:	volně stojící
Spotřebič pro uchovávání vína:	Ne	Jiný chladicí spotřebič:	Ne

**Obecné parametry výrobku:**

Parametr	Hodnota	Parametr	Hodnota	
Celkové rozměry (v mm)	Výška	1 428	Celkový objem (v dm <sup>3</sup> nebo l)	211
	Šířka	540		
	Hloubka	551		
EEL	100	Třída energetické účinnosti	E	
Úroveň emisí hluku šířeného vzduchem (v dB(A) re 1 pW)	41	Třída emisí hluku šířeného vzduchem	C	
Roční spotřeba energie (v kWh/rok)	176	Klimatická třída:	mírné pásmo, subtropické pásmo	
Minimální teplota okolí (ve °C), pro kterou je chladicí spotřebič vhodný	16	Maximální teplota okolí (ve °C), pro kterou je chladicí spotřebič vhodný	38	
Zimní nastavení	Ne			

**Parametry prostorů:**

Typ prostoru	Objem prostoru (v dm <sup>3</sup> nebo l)	Parametry a hodnoty prostorů		
		Doporučené nastavení teploty pro optimalizované uchování potravin (ve °C) Tato nastavení nesmějí být v rozporu s podmínkami uchování stanovenými v příloze IV tabulce 3	Mrazicí výkon (v kg/24h)	Defrosting type (auto-defrost=A, manual defrost=M)
Spíž	Ne	-	-	-

Uchovávání vína	Ne	-	-	-	-
S mírnou teplotou	Ne	-	-	-	-
Čerstvé potraviny	Ano	170,0	-	-	-
Zchlazovací	Ne	-	-	-	-
Bez označení hvězdičkou nebo pro výrobu ledu	Ne	-	-	-	-
Označený jednou hvězdičkou	Ne	-	-	-	-
Označený dvěma hvězdičkami	Ne	-	-	-	-
Označený třemi hvězdičkami	Ne	-	-	-	-
Označený čtyřmi hvězdičkami	Ano	41,0	-	-	-
Oddíl označený dvěma hvězdičkami	Ne	-	-	-	-
Prostor s nastavitelnou teplotou	-	-	-	-	-
<b>Pro prostory označené čtyřmi hvězdičkami</b>					
Funkce rychlého zmrazení	Ne				
<b>Parametry zdroje světla:</b>					
Typ zdroje světla	LED				
Třída energetické účinnosti	G				
<b>Minimální doba trvání záruky nabízená výrobcem:</b> 36 měsíců					
<b>Další informace:</b>					
Odkaz na internetové stránky výrobce, kde lze nalézt informace podle bodu 4 písm. a) přílohy nařízení Komise (EU) 2019/2019: <a href="http://www.siguro.cz">www.siguro.cz</a>					

## Informační list výrobku

NAŘÍZENÍ KOMISE V PŘENESENÉ PRÁVOMOCI (EU) 2019/2016 o uvádění spotřeby energie na energetických štítech chladicích spotřebičů

**Název nebo ochranná známka dodavatele:** Siguro

**Adresa dodavatele:** PL - SIGURO, Jankovcova 1522/53 17000 Praha Holešovice Česká republika

**Identifikační značka modelu:** SGR-TF-J140Y

**Typ chladicího spotřebiče:**

Nízkoohlavný spotřebič:	Ne	Konstrukční typ:	volně stojící
Spotřebič pro uchovávání vína:	Ne	Jiný chladicí spotřebič:	Ne

**Obecné parametry výrobku:**

Parametr	Hodnota	Parametr	Hodnota	
Celkové rozměry (v mm)	Výška	1 428	Celkový objem (v dm <sup>3</sup> nebo l)	211
	Šířka	540		
	Hloubka	551		
EEL	100	Třída energetické účinnosti	E	
Úroveň emisí hluku šířeného vzduchem (v dB(A) re 1 pW)	41	Třída emisí hluku šířeného vzduchem	C	
Roční spotřeba energie (v kWh/rok)	176	Klimatická třída:	mírné pásmo, subtropické pásmo	
Minimální teplota okolí (ve °C), pro kterou je chladicí spotřebič vhodný	16	Maximální teplota okolí (ve °C), pro kterou je chladicí spotřebič vhodný	38	
Zimní nastavení	Ne			

**Parametry prostorů:**

		Parametry a hodnoty prostorů			
Typ prostoru	Objem prostoru (v dm <sup>3</sup> nebo l)	Doporučené nastavení teploty pro optimalizované uchovávání potravin (ve °C) Tato nastavení nesmějí být v rozporu s podmínkami uchovávání stanovenými v příloze IV tabulce 3	Mrazicí výkon (v kg/24h)	Defrosting type (auto-defrost=A, manual defrost=M)	
Spíž	Ne	-	-	-	-

Strana 4/10



Uchovávání vína	Ne	-	-	-	-
S mírnou teplotou	Ne	-	-	-	-
Čerstvé potraviny	Ano	170,0	-	-	-
Zchlazovací	Ne	-	-	-	-
Bez označení hvězdičkou nebo pro výrobu ledu	Ne	-	-	-	-
Označený jednou hvězdičkou	Ne	-	-	-	-
Označený dvěma hvězdičkami	Ne	-	-	-	-
Označený třemi hvězdičkami	Ne	-	-	-	-
Označený čtyřmi hvězdičkami	Ano	41,0	-	-	-
Oddíl označený dvěma hvězdičkami	Ne	-	-	-	-
Prostor s nastavitelnou teplotou	-	-	-	-	-
<b>Pro prostory označené čtyřmi hvězdičkami</b>					
Funkce rychlého zmrazení			Ne		
<b>Parametry zdroje světla:</b>					
Typ zdroje světla			LED		
Třída energetické účinnosti			G		
<b>Minimální doba trvání záruky nabízená výrobcem: 36 měsíců</b>					
<b>Další informace:</b>					
Odkaz na internetové stránky výrobce, kde lze nalézt informace podle bodu 4 písm. a) přílohy nařízení Komise (EU) 2019/2019: <a href="http://www.siguro.cz">www.siguro.cz</a>					

**Ďakujeme, že ste si kúpili spotrebič značky SIGURO. Sme vďační za vašu dôveru a je nám radosťou predstaviť vám prístroj na ďalších stránkach a oboznámiť vás so všetkými jeho funkciami a spôsobmi použitia.**

Veríme v spravodlivú a zodpovednú spoločnosť, a preto spolupracujeme iba s dodávateľmi, ktorí spĺňajú naše prísne kritériá na ochranu záujmu zamestnancov, prevenciu ich zneužívania a férové pracovné podmienky.

Ak potrebujete pomôcť s rozsiahlou údržbou alebo opravou výrobku, ktorá vyžaduje zásah do jeho vnútorných častí, je vám k dispozícii náš autorizovaný servis na e-mailovej adrese siguro@alza.cz alebo operátori na infolinke predajcu. Pre vaše pohodlie pri riešení akýchkoľvek problémov s výrobkom sme tieto kontaktné miesta zjednotili a vyššie uvedené kontakty je možné využiť aj prípade všetkých reklamácií alebo pozáručného servisu.

## BEZPEČNOSTNÉ INFORMÁCIE



**Pred použitím si, prosím, pozorne prečítajte tento manuál a uschovajte ho na budúce použitie.**

1. Tento spotrebič môžu používať deti vo veku 8 rokov a staršie a osoby so zníženými fyzickými, zmyslovými alebo mentálnymi schopnosťami alebo nedostatkom skúseností a znalostí, ak sú pod dozorom alebo boli poučené o používaní spotrebiča bezpečným spôsobom a rozumejú prípadným nebezpečenstvám.
2. Deti sa so spotrebičom nesmú hrať.
3. Čistenie a údržbu vykonávanú používateľom nesmú vykonávať deti bez dozoru.
4. Ak je napájací prívod poškodený, musí ho nahradiť výrobca, jeho servisný technik alebo podobne kvalifikovaná osoba, aby sa zabránilo vzniku nebezpečnej situácie.



**UPOZORNENIE: NEBEZPEČENSTVO OHŇA!**

5. Deti vo veku 3 až 8 rokov môžu vkladať a vyberať potraviny zo spotrebiča.
6. **VÝSTRAHA:** Vetracie otvory v kryte spotrebiča alebo v jeho konštrukcii je nutné udržiavať voľné.
7. **VÝSTRAHA:** Na urýchlenie odmrazovacieho procesu nepoužívajte žiadne mechanické zariadenia alebo iné prostriedky než tie, ktoré výrobca odporúča.
8. **VÝSTRAHA:** Nepoškodzujte chladiaci obvod.
9. **VÝSTRAHA:** Nepoužívajte elektrické spotrebiče v priestore na uchovanie

- potravín, ak nejde o typy odporúčané výrobcom.
10. V tomto spotrebiči neukladajte výbušné látky, ako sú spreje s horľavým hnacím plynom.
  11. Tento spotrebič je určený na použitie v domácnosti a podobných priestoroch, ako sú:
    - kuchynské kúty v obchodoch, kanceláriách a ostatných pracoviskách;
    - spotrebiče používané hosťami v hoteloch, motelloch a iných obytných prostrediach;
    - spotrebiče používané v podnikoch zaistujúcich nocľah s raňajkami;
    - spotrebiče používané v stravovacích a podobných nepredajných prostrediach.
  12. Tento spotrebič je určený ako voľne stojaci. Nie je určený ako zabudovaný ani pripevnený.
  13. Používajte tento spotrebič iba podľa pokynov uvedených v tomto návode. Tým zaistíte bezpečné uchovanie potravín.
  14. Aby sa zabránilo kontaminácii potravín, dodržujte nasledujúce odporúčania:
    - Otvorenie dvierok na dlhý čas môže spôsobiť výrazné zvýšenie teploty v priestoroch spotrebiča.
    - Pravidelne čistite povrchy, ktoré môžu prísť do styku s potravinami a prístupné drenážne systémy.
    - Vyčistite vodné nádoby, ak sa nepoužívali 48 hodín. Prepláchnite vodný systém pripojený k prívodu vody, ak voda nepretekala 5 dní.
    - Surové mäso a ryby ukladajte do chladničky vo vhodných obaloch tak, aby neboli v kontakte s inými potravinami alebo na ne nekvapkali.
    - Dvojhviezdičkové mraziace priestory sú vhodné na ukladanie vopred zmrazených potravín, uloženie alebo na výrobu zmrzliny a výrobu kociek ľadu.
    - Jedno-, dvoj- a trojhviezdičkové priestory nie sú vhodné na mrazenie čerstvých potravín.
    - Ak nechávate chladiaci spotrebič prázdny na dlhý čas, vypnite ho, odmrzte, vyčistite, vysušte a nechajte dvierka otvorené, aby sa zabránilo tvorbe plesní vnútri spotrebiča.
  15. **VÝSTRAHA:** Pri umiestňovaní spotrebiča sa musí zaistiť, aby napájaci prívod nebol zachytený alebo poškodený.
  16. **VÝSTRAHA:** Neumiestňujte viacnásobné prenosné zásuvky alebo prenosné predlžovacie prívody na zadnú stranu spotrebiča.
  17. **VAROVANIE:** Je nebezpečné pre kohokoľvek iného, než je kvalifikovaný servisný technik, vykonávať servis alebo opravy, ktoré zahŕňajú odstránenie krytu. Aby ste zabránili riziku úrazu elektrickým prúdom, neopravujte spotrebič sami.
  18. Nádoby s horľavými plynmi alebo tekutinami môžu pri nízkych teplotách unikať.
  19. Do priestoru mrazničky nikdy nekladajte sýtené ani perlivé nápoje, fľaše ani plechovky.
  20. Nanuky aj zmrzlina môžu spôsobiť omrzliny, ak ich budete konzumovať ihneď po vybratí z mrazničky. Pred konzumáciou vždy vyčakajte aspoň 5 minút.

21. Nedotýkajte sa potravín v mrazničke mokrými alebo vlhkými rukami. Mohlo by dôjsť k zraneniu pokožky alebo vzniku omrzlín.
22. Zaoistite, aby deti nemanipulovali s ovládacími prvkami.
23. Spotrebič je ťažký. Budte obzvlášť opatrní pri manipulácii so spotrebičom. Odporúčame, aby manipuláciu vykonávali dve osoby.
24. Je nebezpečné akýmkoľvek spôsobom vykonávať úpravy alebo modifikácie spotrebiča.
25. LED žiarivku, ktorá osvetľuje vnútorný priestor spotrebiča, smie vymeniť iba technik autorizovaného servisu. Nikdy nevymieňajte žiarivku sami.
26. **VÝSTRAHA:** Chladiace spotrebiče – najmä chladnička s mrazničkou typu I – nemusia fungovať správne (môže hroziť rozmrazenie obsahu alebo príliš vysoké teploty v oddiele pre mrazené potraviny), ak sú umiestnené dlhší čas pod spodnou hranicou teplotného rozsahu, pre ktorý je chladiaci spotrebič určený.
27. **VÝSTRAHA:** Dvierka a veka, ktoré sú vybavené zámkom – je dôležité, aby sa kľúče od zámky uchovávali mimo dosahu detí v dostatočnej vzdialenosti od spotrebiča, aby sa deti nemohli v spotrebiči zamknúť.
28. **VÝSTRAHA:** Chladivo v spotrebiči a izolačný materiál vyžaduje zvláštne zaobchádzanie pri likvidácii spotrebiča.

## Elektrické zapojenie

Tento spotrebič musí byť zapojený do riadne uzemnenej zásuvky s napätím 220 – 240 V ~ 50 Hz. Pred zapojením spotrebiča do sieťovej zásuvky sa uistite, že napätie v zásuvke zodpovedá napätiu na typovom štítku.

Spotrebič je určený na použitie s meničom napätia.

Napájací prívod sa musí viesť za spotrebičom. Nemal by byť odkrytý ani visieť, aby sa zabránilo vzniku náhodnému zraneniu.

Nikdy neodpájajte spotrebič od sieťovej zásuvky ťahom za napájací prívod. Vždy ho odpájajte ťahom za vidlicu.

Nepoužívajte predlžovací kábel, mohlo by to negatívne ovplyvniť výkon spotrebiča. Ak je napájací prívod krátky, obráťte sa na kvalifikovaného elektrikára alebo servisného technika, aby inštaloval sieťovú zásuvku do blízkosti spotrebiča.

## Klimatická trieda

Informácia o klimatickej triede je uvedená na typovom štítku spotrebiča. Udáva informácie o teplotách (teploty miestnosti, v ktorej je spotrebič umiestnený), pri ktorých je prevádzka spotrebiča optimálna.

Klimatická trieda	Rozsah okolitej teploty
SN	Od 10 °C do 32 °C
N	Od 16 °C do 32 °C
ST	Od 16 °C do 38 °C
T	Od 16 °C do 43 °C



### Poznámka:

Je potrebné prispôsobiť nastavenie prevádzkovej teploty spotrebiča v závislosti od klimatickej triedy, okolitej teploty, častosti otvárania dverí a pod.

Ak budete prevádzkovať spotrebič v klimatickej triede, pre ktorú nie je spotrebič určený, nemusí spotrebič fungovať správne.

### **Zámok**

Ak je spotrebič vybavený zámkom, uchovávajte kľúč na bezpečnom mieste (nie v blízkosti spotrebiča) mimo dosahu detí, aby nedošlo k ich náhodnému uväzneniu vnútri spotrebiča.

Pred ekologickou likvidáciou spotrebiča zámku poškodte alebo znehodnotte, aby nebolo možné ju viac používať.

### **Chladivo R600a**

Chladivo R600a a izolačný materiál cyklopentán, ktoré sa používajú v chladiacich zariadeniach, sú látky šetrné k životnému prostrediu, neškodia ozónovej vrstve a majú veľmi malý dopad na globálne otepľovanie. Chladivo R600a, ktoré sa nachádza v chladiacom obvode, je horľavé. Počas prepravy, inštalácie alebo inej manipulácie so spotrebičom dbajte na zvýšenú opatrnosť, aby ste nepoškodili chladiaci obvod, aby nedošlo k úniku chladiva alebo chladiacich plynov. Ak by došlo k poškodeniu chladiaceho obvodu a úniku chladiva alebo chladiacich plynov, bezodkladne uhasťe akýkoľvek zdroj otvoreného ohňa a otvorte okná.

Spotrebiče, ktoré obsahujú chladivo a chladiace plyny, sa musia ekologicky a odborne zlikvidovať. Nesprávna likvidácia môže spôsobiť poranenie, vznietenie alebo vznik inej nebezpečnej situácie. S chladivom a chladiacimi plynmi môže manipulovať iba kvalifikovaná osoba s platnou certifikáciou. Pred likvidáciou sa uistite, že nie je chladiaci obvod poškodený.

- 1 Mraznička
- 2 Termostat
- 3 Police
- 4 Držiak na dve fľaše vína/dve 1,5 l PET fľaše
- 5 Kryt zásuvky na zeleninu
- 6 Zásuvka na zeleninu
- 7 Nastaviteľné nohy
- 8 Dvierka mrazničky
- 9 Dvierka chladničky
- 10 Dverné priehradky
- 11 Távka na vajcia
- 12 Formička na ľad



## TECHNICKÉ PARAMETRE

<b>Menovité napätie</b>	220 – 240 V ~
<b>Menovitá frekvencia</b>	50 Hz
<b>Menovitý prúd</b>	0,4 A
<b>Spotreba energie E<sub>16</sub></b>	0,262 kWh/24 h
<b>Spotreba energie E<sub>32</sub></b>	0,7 kWh/24 h
<b>Celkový úžitkový objem</b>	211 l
<b>Objem priestoru na chladenie čerstvých potravín</b>	170 l
<b>Objem 4-hviezdičkového mraziaceho priestoru</b>	41 l
<b>Klimatická trieda</b>	N/ST
<b>Typ chladiva/hmotnosť chladiva</b>	R600a/41 g
<b>Trieda ochrany proti úrazu elektrickým prúdom</b>	Trieda I
<b>Penová izolácia</b>	Cyklopentán
<b>Mraziaca kapacita</b>	2 kg/24 h
<b>Rozmery</b>	1428 × 540 × 551 mm
<b>Hmotnosť</b>	40 kg

## PREPRAVA

**Spotrebič sa musí prevážať výhradne vo vzpriamenej polohe.** Obalový materiál slúži na ochranu spotrebiča počas prepravy a musí byť počas prepravy neporušený. Ak je to nevyhnutné a spotrebič je nutné prepravovať v horizontálnej polohe, musí byť položený tak, aby sa dvierka neotvárali, a nedošlo tak k ich poškodeniu. Potom sa musí spotrebič umiestniť do vertikálnej polohy. Pripojenie vidlice napájacieho prúdu a zapnutie spotrebiča sa nesmie vykonať aspoň 4 hodiny po uvedení do vertikálnej polohy, aby došlo k ustáleniu chladiva v chladiacom systéme. V opačnom prípade môže dôjsť

k nevratnému poškodeniu spotrebiča a vzniku nebezpečnej situácie. Spotrebič je ťažký a odporúčame, aby s ním manipulovali aspoň dve osoby. Vyvarujte sa prenášania spotrebiča za horný rám, dvierka a pod.

## PRÍPRAVA PRED POUŽITÍM

### Vybalenie spotrebiča

Opatrne chladničku vybalte a odstráňte z nej všetky pásky, štítky alebo iné fólie.

### Výber miesta inštalácie

Chladnička musí byť inštalovaná na pevnom a rovnom povrchu v dostatočnej vzdialenosti od sieťovej zásuvky. Neinštalujte chladničku na koberce, rohožky alebo iný podobný materiál, to môže spôsobiť nežiaduce vibrácie a nadmerný hluk.

Spotrebič je určený na použitie v domácnosti a vnútri budovy. Neinštalujte ho vonku alebo na mieste, kde by bol vystavený dažďu, snehu, vlhkosti alebo iným poveternostným podmienkam.

V prípade potreby chladničku vyrovnajte. Na vyrovanie slúžia nastaviteľné nohy. Ich vyskrutkovaním alebo zaskrutkovaním chladničku vyrovnajte. Je dôležité, aby bola chladnička vyrovnaná, pretože to môže spôsobiť nežiaduce vibrácie a nadmerný hluk.

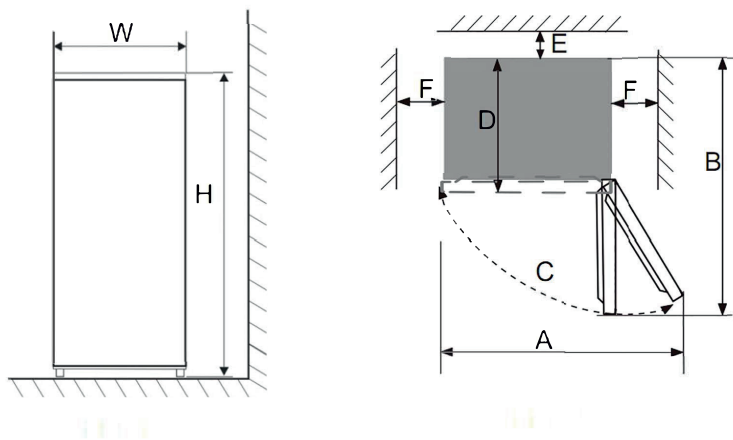
Výsledok podielu množstva náplne chladiva v spotrebiči a celkového priestoru miestnosti, v ktorej je inštalovaný, musí byť menší než  $8 \text{ g/m}^3$ .

Množstvo náplne chladiva nájdete na typovom štítku spotrebiča.

Okolo spotrebiča je potrebné zaistiť dostatočný voľný priestor na správnu cirkuláciu vzduchu: minimálne 30 mm nad spotrebičom, viac než 100 mm po jeho stranách a aspoň 50 mm za spotrebičom.

### Rozmery v mm

W (šírka)	D (hĺbka)	H (výška)	A	B	C (°)	E	F
540	551	1428	910	1054	$130 \pm 5$	50	100



Neinštalujte chladničku do blízkosti sporáka, kúrenia alebo iných zdrojov tepla. Zabráň-

te tomu, aby bola chladnička vystavená priamemu slnečnému svitu. Chladničku neinštalujte do vlhkých alebo prašných miestností. Nikdy nezakrývajte ventilačné otvory.

Chladnička môže spôsobiť rušenie rádiových zariadení alebo televízora. Uistite sa, že je chladnička umiestnená v dostatočnej vzdialenosti od týchto zariadení.

## Čistenie pred použitím

Pred prvým použitím, alebo ak ste chladničku nepoužívali dlhší čas, vyčistite vnútorný priestor a všetky police a priehradky čistou vodou, príp. do vody pridajte trochu bieleho octu. Nikdy nepoužívajte žiadne čistiace prostriedky, rozpúšťadlá, benzín a pod., pretože by ste mohli poškodiť povrchovú úpravu a chladničku nenávratne poškodiť.

## Čas státia

Po inštalácii a vyčistení vyčkajte aspoň 1 hodinu pred zapojením vidlice do sieťovej zásuvky, aby ste zaistili jej správnu prevádzku. Za tento čas sa chladivo rovnomerne v obvode rozloží.

## Pripojenie k zdroju napájania

Vložte vidlicu napájacieho prívodu do riadne uzemnenej sieťovej zásuvky. Termostat nastavte na hodnotu 4 a zavrite dvierka. Vyčkajte asi 1 hodinu a skontrolujte, či teplota vnútri chladničky klesla. Vyčkajte asi 3 až 4 hodiny, než do chladničky vložíte potraviny.

# POUŽITIE

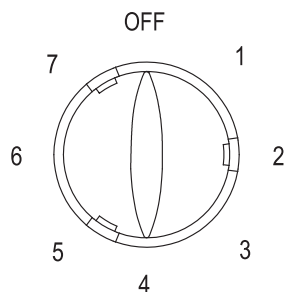
## Nastavenie teploty

Teplotu nastavujte pomocou termostatu v rozmedzí 1 až 7, kde hodnota „1“ predstavuje najvyššiu teplotu a hodnota „7“ najnižšiu teplotu. Odporúčané nastavenie je 4.

Ak chcete chladničku vypnúť, otočte termostatom na hodnotu „OFF“.

Teplota vnútri chladničky je ovplyvnená okolitou teplotou, častotou otvárania dvierok a množstvom uložených potravín.

Ak sa vo vnútornom priestore chladničky tvorí námraza, zvýšte teplotu.



## Funkcia rýchleho mrazenia

Funkcia rýchleho mrazenia slúži na rýchle vychladenie vnútorného priestoru mrazničky. Rýchle vychladenie je vhodné, ak budete potrebovať zamraziť väčšie množstvo čerstvých potravín.

Otočte termostat na hodnotu „7“ asi hodinu pred vložení potravín. Hneď ako vložené potraviny riadne zmrznú, otočte termostat na pôvodnú hodnotu.

Mraznička sa na svoju minimálnu hodnotu (-18 °C) vychladí zhruba za 1 až 2 hodiny v závislosti od množstva vložených potravín.



### Poznámka:

Termostat nastavený na 6 a 7 je vhodný, keď je okolitá teplota vyššia než 16 °C. Pri tejto hodnote sa však môže rýchlejšie tvoriť námraza, ak je termostat nastavený na túto hodnotu dlhodobo. Ide o normálny jav. Upravujte preto termostat podľa aktuálnej okolitej teploty.



## Skladovanie potravín

Studený vzduch cirkuluje v celom priestore chladničky, a teplota je tak v rôznych častiach chladničky odlišná, a preto rôzne druhy potravín by mali byť umiestnené na rôznych miestach.

Potraviny ukladajte do chladničky v pôvodnom obale alebo vo vzduchotesných nádobách, aby sa zabránilo vzniku nepríjemného zápachu alebo prípadnej kontaminácii. V priestore chladničky skladujte čerstvé potraviny, ako sú varené jedlá, nápoje, vajcia, mliečne výrobky a pod. V zásuvke skladujte zeleninu a ovocie. V priestore mrazničky skladujte zmrzlinu, mrazené jedlá a potraviny a pod.

### Umiestnenie potravín v chladničke

<b>Priehradky vo dverách</b>	Nápoje, džemy, dochucovadlá (napr. horčica), vajcia
<b>Zásuvka</b>	Ovocie, zelenina, bylinky, ktoré sú určené na skladovanie v chladničke.
<b>Horná a prostredná polica</b>	Mäso, hydina alebo ryby, mäsové výrobky, hotové jedlá a pod.
<b>Spodná polica</b>	Mliečne výrobky

### Formička na ľad

Naplňte formičku na ľad čistou, pitnou vodou a vložte ju do mraziaceho priestoru.

### Pri nákupe potravín:

- Aby ste zabránili plytvaniu, vytvorte si nákupný zoznam a nakupujte iba primerané množstvo.
- Kontrolujte vždy dátum spotreby uvedený na obale.
- Kontrolujte stav obalu, aby nebol poškodený.
- Obzvlášť pri ovocí a zelenine kontrolujte ich vzhľad a vôňu. Nakupujte iba „bezchybné“ ovocie a zeleninu.
- Mrazené potraviny vkladajte do nákupného košíka ako posledné a používajte špeciálne tašky na prevoz mrazených potravín.
- Pri nákupe balených potravín vždy skontrolujte, či je obal neporušený.
- Dodržujte maximálne množstvo potravín, ktoré je možné zamraziť počas 24 hodín. Tento údaj je uvedený na typovom štítku. Za tento čas otvárajte dvierka mrazničky čo najmenej.
- Pred vložením zmrazených potravín alebo čerstvých potravín, ktoré sú určené na zamrazenie, sa vždy uistite, že je vnútorný priestor dostatočne vychladený, a to obzvlášť ak budete skladovať už zmrazené potraviny. V opačnom prípade by mohlo dôjsť k ich rozmrazeniu.
- Pred zamrazením nechajte horúce potraviny celkom vychladnúť.
- Čerstvé potraviny zabalte do vrecúšok na uchovanie čerstvých potravín. Označte si ich názvom, hmotnosťou a dátumom. Vrecúška by mali byť suché pred vložením do mrazničky.

### Pri skladovaní potravín:

- Pravidelne kontrolujte stav skladovaných potravín a včas ich skonsumujte.
- Potraviny, ktoré pravidelne konzumujete alebo používate, umiestnite dopredu. Skrátite tým čas, keď sú dvierka otvorené.
- Rozmrazené alebo čiastočne rozmrazené potraviny už znovu nezamrazujte.
- Rozmrazené mäso tepelne spracujte.
- V chladničke neskladujte príliš mnoho potravín. Zaistite okolo potravín voľný

- priestor, aby mohol studený vzduch voľne prúdiť.
- Teplé potraviny nechajte pred ich vloženíom do chladničky vychladnúť.
  - Neotvárajte dvierka chladničky príliš často.
  - Skladujte v chladničke iba tie potraviny, ktoré sú určené na skladovanie v chladničke. Niektoré potraviny, obzvlášť ovocie alebo zelenina, nevyžadujú skladovanie v chladničke.
  - Potraviny ukladajte do mrazničky v pôvodnom obale alebo vo vzduchotesných nádobách, aby sa zabránilo vzniku nepríjemného zápachu alebo prípadnej kontaminácii.
  - Pri ukladaní potravín do mraziaceho priestoru dodržujte vzdialenosť od vnútornej steny. Potraviny bohaté na vodu neumiestňujte príliš blízko k zadnej stene, aby nedošlo k ich primrznutiu.
  - Nevkladajte do mrazničky sklenené dózy naplnené tekutinou ani nápoje v plechovkách. Hrozí ich poškodenie, pretože tekutina pri mrazení zväčšuje svoj objem.

## ČISTENIE A ÚDRŽBA

Udržujte chladničku čistú. Zvyšky jedál alebo potravín môžu v chladničke spôsobiť nepríjemný zápach. Odporúčame police, zásuvku a priehradky čistiť aspoň raz za mesiac.

### Bežná údržba

- Z priestoru chladničky, s výnimkou mrazničky, vyberte všetky potraviny a potom police, zásuvku a priehradky. Umyte tieto časti v teplej vode s trochou kuchynského saponátu, opláchnite a utrite dosucha.
- Vnútorný priestor chladničky utrite čistou utierkou mierne navlhčenou v čistej a vlažnej vode. Utrite dosucha.
- Utrite tesnenie okolo dvierok chladničky mäkkou utierkou mierne navlhčenou v teplej vode.
- Vonkajší povrch chladničky utrite mäkkou utierkou mierne navlhčenou v teplej vode s trochou kuchynského saponátu.
- Odstráňte prach zo zadnej steny chladničky. Môžete použiť vysávač s nasadenou kefovou hubicou a nastaveným nízkym výkonom.



#### Varovanie:

Na čistenie nepoužívajte hrubé čistiace prostriedky, alkalické prostriedky, rozpúšťadlá, benzín atď. Používajte iba mäkkú hubku alebo utierku. Nepoužívajte drôtenky ani iné materiály, ktoré by mohli spôsobiť poškriabanie povrchu.

### Odmrazovanie

Otočte termostat do pozície OFF a odpojte vidlicu od sieťovej zásuvky.

Vyberte všetky potraviny z mrazničky aj z chladničky. Nechajte dvierka mrazničky otvorené. Potraviny odporúčame zabaliť do utierky a vložiť do nákupných tašiek určených na prepravu mrazených potravín. Uložte potraviny do najchladnejšej miestnosti v byte alebo dome, príp. von do tieňa, ak sú teploty vonku nízke.

Opatrne odstráňte námrazu. Môžete použiť plastovú škrabku na odstránenie námrazy. Nepoužívajte žiadne ostré predmety. Utrite vnútorný priestor mrazničky dosucha.

Vložte späť potraviny, zapojte vidlicu do sieťovej zásuvky a nastavte termostat.

Čas odmravovania by mal byť čo najkratší, aby nedošlo k rozmrazeniu alebo čiastočnému rozmrazeniu potravín.



**VAROVANIE:**  
Nikdy nepoužívajte parný čistič, sušič vlasov ani iný elektronický spotrebič na urýchlenie odmrázovania.



**Varovanie:**  
Nikdy neponárajte spotrebič, napájací prívod ani vidlicu do vody ani inej tekutiny.

## Výmena osvetlenia

LED žiarivku, ktorá osvetľuje vnútorný priestor chladničky, smie vymeniť iba technik autorizovaného servisu. Nikdy nevymieňajte žiarivku sami. Obráťte sa na autorizovaný servis. Tento výrobok obsahuje svetelný zdroj s triedou energetickej účinnosti G.

## Vypnutie chladničky na dlhší čas

Ak nebudete chladničku dlhší čas používať, otočte termostat do pozície OFF a odpojte vidlicu od sieťovej zásuvky. Vyčistite vnútorný priestor, vrátane mrazničky, podľa pokynov vyššie.

Nechajte dvierka otvorené, aby nedošlo k tvorbe nežiaduceho pachu.

## RIEŠENIE PROBLÉMOV

Problém	Príčina	Riešenie
Chladnička nechladí.	Vidlica nie je zapojená v sieťovej zásuvke alebo je zle zapojená.	Zapojte správne vidlicu do sieťovej zásuvky.
	Istič je spadnutý alebo je vyhoretá poistka.	Skontrolujte istič a poistka.
	Došlo k prerušeniu dodávky elektrickej energie.	Obmedzte otváranie dvierok a vyčakajte na obnovu dodávky.
	Chladnička je inštalovaná na nevhodnom mieste.	Uistite sa, že chladnička nie je vystavená priamemu slnečnému svetlu, zdroju tepla. Ak bude inštalovaná na mieste, kde teplota klesá pod 10 °C, potom nemusí vnútorný chladiaci obvod fungovať správne.
Chladnička vydáva nezvyklý hluk.	Chladnička nie je vyrovnaná.	Vyrovnajete chladničku pomocou nôh.
	Chladnička sa dotýka steny.	Odtiahnite chladničku od steny.

<b>Problém</b>	<b>Príčina</b>	<b>Riešenie</b>
Chladnička nedostatočne chladí.	V chladničke je príliš mnoho potravín alebo ste vložili horúce potraviny.	Skontrolujte, či všetky potraviny sú určené na skladovanie v chladničke. Teplé potraviny nechajte vychladnúť pred vložením do chladničky.
	Otvárate príliš často dvierka.	Obmedzte otváranie dvierok.
	Dvierka nedostatočne tesnia.	Odstráňte prekážky medzi tesnením dvierok a telom mrazničky, príp. tesnenie vyčistite.
	Chladnička je vystavená priamemu slnečnému svitu alebo inému zdroju tepla.	Premiestnite chladničku.
	Okolo chladničky nie je dostatočný priestor na dostatočnú cirkuláciu vzduchu.	Premiestnite chladničku.
	Nastavili ste príliš vysokú teplotu.	Znížte nastavenú teplotu.
V chladničke je nepríjemný zápach.	V chladničke sú skazené potraviny.	Vyhod'te skazené potraviny.
	Chladničku je potrebné vyčistiť.	Vyčistite vnútorný priestor chladničky.
	Potraviny so silnou arómou sú nedostatočne zabalené.	Skontrolujte takéto potraviny a vložte ich do vzduchotesnej nádoby.

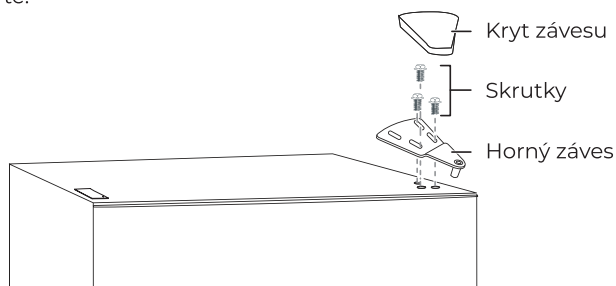
Ak problém nie je uvedený v tabuľke vyššie alebo sa problém nepodarilo vyriešiť, vypnite spotrebič, odpojte zástrčku prívodného kábla od sieťovej zásuvky a obráťte sa na autorizované servisné stredisko.

## **OTOČENIE SMERU OTVÁRANIA DVIEROK**

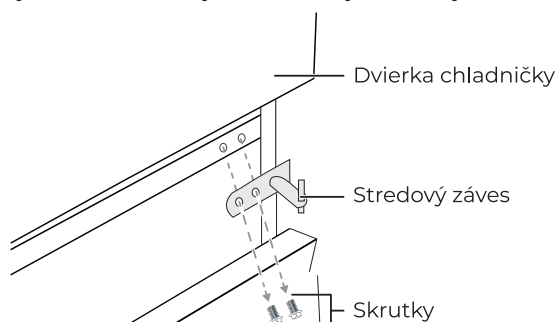
Odporúčame, aby otočenie smeru otvárania dvierok vykonávali dve osoby.

1. Uistite sa, že je vidlica napájacieho prívodu odpojená od sieťovej zásuvky.

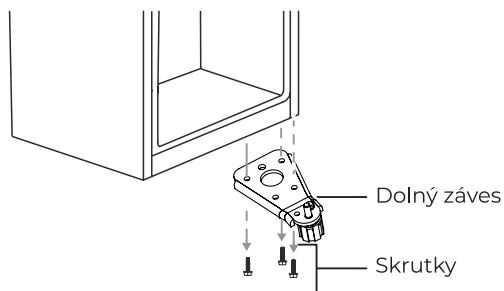
2. Odstráňte kryt horného závěsu, vyskrutkujte tři šroubky horného závěsu a opatrně ho vyberte.



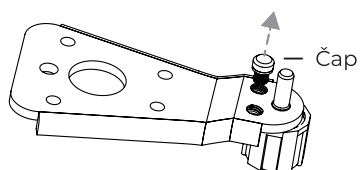
3. Opatrně vyberte dveřka mrazničky a uložte ich nabok.
4. Uvolněte a vyberte dvě šroubky, které zajišťují středový závěs.



5. Opatrně vyberte dveřka chladničky a uložte ich nabok.
6. Vyskrutkujte šroubky dolního závěsu a odstráňte dolný závěs.

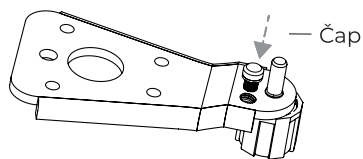


7. Vyberte podložku a matici, které zajišťují čap v pravém otvoru dolního závěsu. Potom vyberte čap.

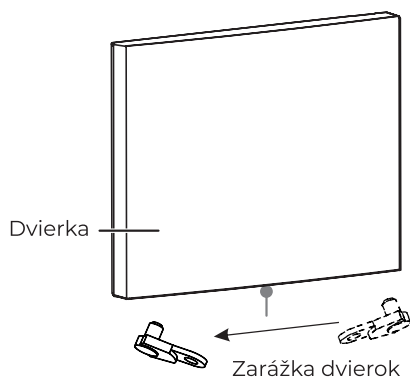


8. Čap přemístíte do levého otvoru dolního závěsu. Nasadíte matici s podložkou

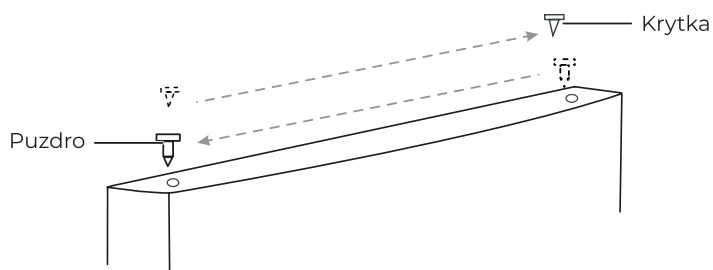
a dotiahnite.



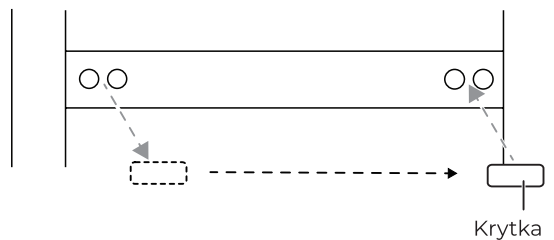
9. Dolný záves nainštalujte na druhú stranu. Uistite sa, že sú skrutky správne dotiahnuté.
10. Uvoľnite a vyberte skrutku zarážky dverí chladničky v dolnej časti dverí. Zarážku vyberte a nainštalujte ju na druhú stranu.



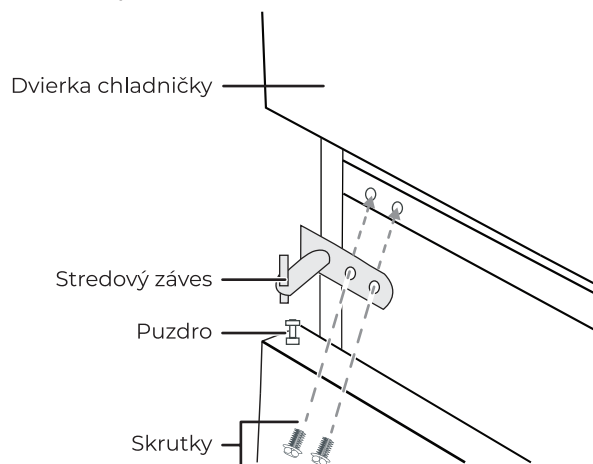
11. Nainštalujte dvierka chladničky.
12. Presuňte puzdro dverí z hornej strany dverí na druhú stranu. A krytku presuňte na druhú stranu.



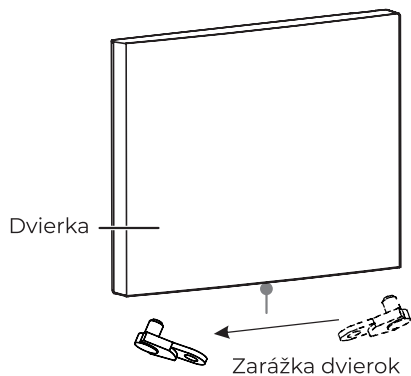
13. Odstráňte krytku otvoru na uchytenie stredového závěsu a přemístěte ju na druhú stranu.



14. Stredový záves nainštalujte na druhú stranu.

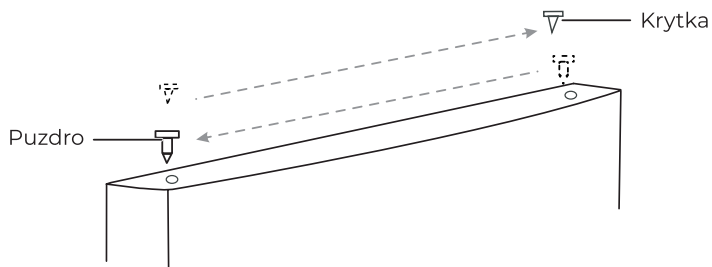


15. Uvoľnite a vyberte skrutku zarážky dvierok mrazničky v dolnej časti dvierok. Zarážku vyberte a nainštalujte ju na druhú stranu.

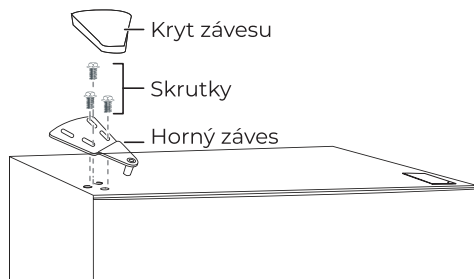


16. Nainštalujte dvierka mrazničky.

17. Presuňte puzdro dverí z jednej hornej strany dvierok na druhú hornú stranu. A krytku presuňte na druhú stranu.



18. Odstráňte krytku otvoru na uchytenie horného závesu a premiestnite ju na druhú stranu.  
 19. Inštalujte horný záves pomocou troch skrutiek. Skôr ako skrutky dotiahnete, uistite sa, že sú dvierka vyrovnané a dobre tesnia. Nasadte kryt horného závesu.



**Poznámka:**

Pri inštalácii oboch dvierok sa uistite, že tesnenie dobre prilieha k chladničke. Ak nebudú dvierka zarovnané a gumové tesniť, môže to spôsobiť nesprávne fungovanie chladničky.



## Informačný list výrobku

DELEGOVANÉ NARIADENIE KOMISIE (EÚ) 2019/2016, pokiaľ ide o energetické označovanie chladiacich spotrebičov

**Názov dodávateľa alebo jeho ochranná známka:** Siguro

**Adresa dodávateľa:** PL - SIGURO, Jankovcova 1522/53 17000 Praha Holešovice Česká republika

**Identifikačný kód modelu:** SGR-TF-J140W

**Typ chladiaceho spotrebiča:**

Spotrebič s nízkou hlučnosťou:	Nie	Dizajn:	Voľne stojaci
Spotrebič na uchovávanie vína:	Nie	Iný chladiaci spotrebič:	Nie

**Všeobecné parametre výrobku:**

Parameter	Hodnota	Parameter	Hodnota
Celkové rozmery (v milimetroch)	Výška	Celkový objem (v dm <sup>3</sup> alebo l)	211
	Šírka		
	Hĺbka		
EEL	100	Trieda energetickej účinnosti	E
Úroveň vydávaného hluku prenášaného vzduchom [dB(A) re 1 pW]	41	Úroveň vydávaného hluku prenášaného vzduchom	C
Ročná spotreba energie (kWh/a)	176	Klimatická trieda:	mierna, subtropická
Minimálna teplota okolia (°C), pre ktorú je chladiaci spotrebič vhodný	16	Maximálna teplota okolia (°C), pre ktorú je chladiaci spotrebič vhodný	38
Zimné nastavenie	Nie		

**Parametre oddelení:**

Typ oddelenia	Parametre a hodnoty oddelení			
	Objem oddelenia (v dm <sup>3</sup> alebo l)	Odporúčané nastavenie teploty pre optimalizované skladovanie potravín (°C) Tieto nastavenia nesmú odporovať podmienkam skladovania stanoveným v tabuľke 3 prílohy IV	Mraziaci výkon (kg/24 h)	Defrosting type (auto-defrost=A, manual defrost=M)

Oddelenie s podmienkami komory	Nie	-	-	-	-
Oddelenie na uchovávanie vína	Nie	-	-	-	-
Oddelenie s podmienkami pivnice	Nie	-	-	-	-
Oddelenie na čerstvé potraviny	Áno	170,0	-	-	-
Oddelenie na uchovávanie rýchlo sa kaziacich potravín	Nie	-	-	-	-
Bez hviezdičkové alebo výroba ľadu	Nie	-	-	-	-
1-hviezdičkové	Nie	-	-	-	-
2-hviezdičkové	Nie	-	-	-	-
3-hviezdičkové	Nie	-	-	-	-
4-hviezdičkové	Áno	41,0	-	-	-
2-hviezdičkový oddiel	Nie	-	-	-	-
Oddelenie s premenlivou teplotou	-	-	-	-	-
<b>Pri štvorhviezdičkových oddeleniach</b>					
Funkcia rýchleho mrazenia			Nie		
<b>Parametre zdroja svetla:</b>					
Typ zdroja svetla			LED		
Trieda energetickej účinnosti			G		
<b>Minimálne trvanie záruky, ktorú ponúka výrobca:</b> 36 mesiacov					
<b>Doplňujúce informácie:</b>					
Odkaz na webovú stránku výrobcu, kde možno nájsť údaje podľa bodu 4 písm. a) prílohy k nariadeniu Komisie (EÚ) 2019/2019: <a href="http://www.siguro.cz">www.siguro.cz</a>					

## Informačný list výrobku

DELEGOVANÉ NARIADENIE KOMISIE (EÚ) 2019/2016, pokiaľ ide o energetické označovanie chladiacich spotrebičov

**Názov dodávateľa alebo jeho ochranná známka:** Siguro

**Adresa dodávateľa:** PL - SIGURO, Jankovcova 1522/53 17000 Praha Holešovice Česká republika

**Identifikačný kód modelu:** SGR-TF-J140S

**Typ chladiaceho spotrebiča:**

Spotrebič s nízkou hlučnosťou:	Nie	Dizajn:	Voľne stojaci
Spotrebič na uchovávanie vína:	Nie	Iný chladiaci spotrebič:	Nie

**Všeobecné parametre výrobku:**

Parameter	Hodnota	Parameter	Hodnota
Celkové rozmery (v milimetroch)	Výška	Celkový objem (v dm <sup>3</sup> alebo l)	211
	Šírka		
	Hĺbka		
EI	100	Trieda energetickej účinnosti	E
Úroveň vydávaného hluku prenášaného vzduchom [dB(A) re 1 pW]	41	Úroveň vydávaného hluku prenášaného vzduchom	C
Ročná spotreba energie (kWh/a)	176	Klimatická trieda:	mierna, subtropická
Minimálna teplota okolia (°C), pre ktorú je chladiaci spotrebič vhodný	16	Maximálna teplota okolia (°C), pre ktorú je chladiaci spotrebič vhodný	38
Zimné nastavenie	Nie		

**Parametre oddelení:**

Typ oddelenia	Parametre a hodnoty oddelení			
	Objem oddelenia (v dm <sup>3</sup> alebo l)	Odporúčané nastavenie teploty pre optimalizované skladovanie potravín (°C) Tieto nastavenia nesmú odporovať podmienkam skladovania stanoveným v tabuľke 3 prílohy IV	Mraziaci výkon (kg/24 h)	Defrosting type (auto-defrost=A, manual defrost=M)

Oddelenie s podmienkami komory	Nie	-	-	-	-
Oddelenie na uchovávanie vína	Nie	-	-	-	-
Oddelenie s podmienkami pivnice	Nie	-	-	-	-
Oddelenie na čerstvé potraviny	Áno	170,0	-	-	-
Oddelenie na uchovávanie rýchlo sa kaziacich potravín	Nie	-	-	-	-
Bez hviezdičkové alebo výroba ľadu	Nie	-	-	-	-
1-hviezdičkové	Nie	-	-	-	-
2-hviezdičkové	Nie	-	-	-	-
3-hviezdičkové	Nie	-	-	-	-
4-hviezdičkové	Áno	41,0	-	-	-
2-hviezdičkový oddiel	Nie	-	-	-	-
Oddelenie s premenlivou teplotou	-	-	-	-	-
<b>Pri štvorhviezdičkových oddeleniach</b>					
Funkcia rýchleho mrazenia			Nie		
<b>Parametre zdroja svetla:</b>					
Typ zdroja svetla			LED		
Trieda energetickej účinnosti			G		
<b>Minimálne trvanie záruky, ktorú ponúka výrobca:</b> 36 mesiacov					
<b>Doplňujúce informácie:</b>					
Odkaz na webovú stránku výrobcu, kde možno nájsť údaje podľa bodu 4 písm. a) prílohy k nariadeniu Komisie (EÚ) 2019/2019: <a href="http://www.siguro.cz">www.siguro.cz</a>					

## Informačný list výrobku

DELEGOVANÉ NARIADENIE KOMISIE (EÚ) 2019/2016, pokiaľ ide o energetické označovanie chladiacich spotrebičov

**Názov dodávateľa alebo jeho ochranná známka:** Siguro

**Adresa dodávateľa:** PL - SIGURO, Jankovcova 1522/53 17000 Praha Holešovice Česká republika

**Identifikačný kód modelu:** SGR-TF-J140Y

### Typ chladiaceho spotrebiča:

Spotrebič s nízkou hlučnosťou: Nie Dizajn: Voľne stojaci

Spotrebič na uchovávanie vína: Nie Iný chladiaci spotrebič: Nie

### Všeobecné parametre výrobku:

Parameter	Hodnota	Parameter	Hodnota
Celkové rozmery (v milimetroch)	Výška	Celkový objem (v dm <sup>3</sup> alebo l)	211
	Šírka		
	Hĺbka		
EEL	100	Trieda energetickej účinnosti	E
Úroveň vydávaného hluku prenášaného vzduchom [dB(A) re 1 pW]	41	Úroveň vydávaného hluku prenášaného vzduchom	C
Ročná spotreba energie (kWh/a)	176	Klimatická trieda:	mierna, subtropická
Minimálna teplota okolia (°C), pre ktorú je chladiaci spotrebič vhodný	16	Maximálna teplota okolia (°C), pre ktorú je chladiaci spotrebič vhodný	38
Zimné nastavenie	Nie		

### Parametre oddelení:

Typ oddelenia	Parametre a hodnoty oddelení			
	Objem oddelenia (v dm <sup>3</sup> alebo l)	Odporúčané nastavenie teploty pre optimalizované skladovanie potravín (°C) Tieto nastavenia nesmú odporovať podmienkam skladovania stanoveným v tabuľke 3 prílohy IV	Mraziaci výkon (kg/24 h)	Defrosting type (auto-defrost=A, manual defrost=M)

Oddelenie s podmienkami komory	Nie	-	-	-	-
Oddelenie na uchovávanie vína	Nie	-	-	-	-
Oddelenie s podmienkami pivnice	Nie	-	-	-	-
Oddelenie na čerstvé potraviny	Áno	170,0	-	-	-
Oddelenie na uchovávanie rýchlo sa kaziacich potravín	Nie	-	-	-	-
Bez hviezdíčkové alebo výroba ľadu	Nie	-	-	-	-
1-hviezdíčkové	Nie	-	-	-	-
2-hviezdíčkové	Nie	-	-	-	-
3-hviezdíčkové	Nie	-	-	-	-
4-hviezdíčkové	Áno	41,0	-	-	-
2-hviezdíčkový oddiel	Nie	-	-	-	-
Oddelenie s premenlivou teplotou	-	-	-	-	-
<b>Pri štvorhviezdíčkových oddeleniach</b>					
Funkcia rýchleho mrazenia			Nie		
<b>Parametre zdroja svetla:</b>					
Typ zdroja svetla			LED		
Trieda energetickej účinnosti			G		
<b>Minimálne trvanie záruky, ktorú ponúka výrobca:</b> 36 mesiacov					
<b>Doplňujúce informácie:</b>					
Odkaz na webovú stránku výrobcu, kde možno nájsť údaje podľa bodu 4 písm. a) prílohy k nariadeniu Komisie (EÚ) 2019/2019: <a href="http://www.siguro.cz">www.siguro.cz</a>					

**Köszönjük, hogy a SIGURO márka termékét választotta! Köszönjük, hogy megtisztelt bennünket a bizalmával! Örömmel mutatjuk be Önnek a készülékünket, a készülék funkcióit és a készülék használatát.**

Hiszünk abban, hogy tisztességes és felelős vállalat vagyunk, ezért csak olyan beszállítókkal dolgozunk együtt, akik megfelelnek a munkavállalók érdekeinek a védelmére, a munkavállalói visszaélések megelőzésére, továbbá a tisztességes munkakörülmények biztosítására vonatkozó szigorú kritériumainknak.

Amennyiben a készüléken olyan karbantartást vagy javítást kíván végrehajtani, amelyhez a készüléket meg kell bontani, akkor forduljon a márkaszervizhez a siguro@alza.cz e-mailen, vagy hívja fel a vevőszolgálatunkat. A kényelmesebb ügyintézés érdekében egybevontuk a kapcsolati helyeinket, így a fenti kapcsolatokat nem csak a javítások és karbantartások megrendeléséhez, hanem a reklamációk benyújtásához vagy a garancia utáni szervizeléshez is fel lehet használni.

## BIZTONSÁGI INFORMÁCIÓK



**A használatba vétel előtt figyelmesen olvassa el a jelen útmutatót, és azt későbbi felhasználásokhoz is őrizze meg.**

1. A készüléket 8 évnél idősebb gyerekek, idős, testi és szellemi fogyatékos személyek, illetve a készülék használatát nem ismerő és hasonló készülék üzemeltetéseinek a tapasztalataival nem rendelkező személyek csak a készülék használati utasítását ismerő és a készülék használatáért felelősséget vállaló személy felügyelete mellett használhatják.
2. A készülék nem játék, azzal gyerekek nem játszhatnak.
3. A készüléket gyerekek csak felnőtt személy felügyelete mellett tisztíthatják.
4. Az áramütések megelőzése érdekében, a készülék sérült hálózati vezetékét csak márkaszerviz, vagy villanyszerelő szakember cserélheti ki.



**FIGYELMEZTETÉS! TŰZVESZÉLY!**

5. 3 és 8 év közötti gyerekek használhatják a készüléket, abból élelmiszereket vehetnek ki, vagy abba élelmiszereket rakhatnak be.
6. **FIGYELMEZTETÉS!** A készülék szellőzőnyílásait letakarni tilos.
7. **FIGYELMEZTETÉS!** A kiolvasztáshoz és a jég eltávolításához csak a készülék gyártója által ajánlott eszközöket használjon.
8. **FIGYELMEZTETÉS!** Előzze meg a hűtőkör sérülését.

9. **FIGYELMEZTETÉS!** A készüléken belül más elektromos készüléket használni tilos (kivéve, ha ezt a készülék gyártója engedélyezte).
10. A készülékben robbanékony anyagokat (pl. gyúlékony hajtógázzal töltött spray) tárolni tilos.
11. A készüléket háztartásokban, illetve a következő helyeken lehet használni:
  - konyhák, irodai és egyéb munkahelyi kiskonyhák;
  - szállodai és motelszobák, munkásszállások konyhái,
  - turistaszállások és egyéb jellegű szállások,
  - étkezdék, kifőzdék és egyéb nem üzleti jellegű ételkiadók.
12. Ez a készülék szabadon álló készülék. A készüléket nem lehet beépíteni vagy rögzíteni.
13. A készüléket csak a jelen útmutatóban leírt módon és célokra használja. Csak így biztosítható a tárolt élelmiszerek biztonsága.
14. Az élelmiszerek tisztasága és eltarthatósága érdekében tartsa be a következőket.
  - Az ajtó gyakori nyitogatása vagy nyitva tartása következtében a készülék belső hőmérséklete jelentős mértékben nőhet.
  - Az élelmiszerekkel kapcsolatba kerülő felületeket, és hozzáférhető vízelvezető felületeket gyakran tisztítsa meg.
  - Tisztítsa meg a víztartályt, ha legalább 48 órán keresztül nem használta. Öblítse át a vízrendszert, ha legalább 5 napon keresztül nem használta.
  - A nyers húst és halakat csomagolja be megfelelő csomagolóanyagba (edénybe), hogy azok ne kerüljenek közvetlenül kapcsolatba az egyéb élelmiszerekkel, illetve azokról a lé ne csöpögjön le.
  - A két csillaggal megjelölt fagyasztó szekrényekbe előre lefagyasztott (mirelit) alapanyagokat és ételeket lehet berakni, illetve a fagyasztóban jégkockát és fagyaltot lehet készíteni.
  - Az egy, két vagy három csillaggal megjelölt fagyasztókban nem lehet friss alapanyagokat és élelmiszereket lefagyasztani.
  - Amennyiben a készüléket hosszabb ideig üresen kívánja hagyni, akkor a készüléket kapcsolja le, olvassa ki, tisztítsa ki, szárítsa meg, és az ajtót hagyja kissé nyitva (a penészképződés megelőzése érdekében).
15. **FIGYELMEZTETÉS!** Ügyeljen arra, hogy a hálózati vezeték ne sérüljön meg és ne akadályozza a szabad mozgást.
16. **FIGYELMEZTETÉS!** A készüléket ne csatlakoztassa aljzatba dugott elosztóhoz vagy hosszabbító vezetékhez.
17. **FIGYELMEZTETÉS!** A készülék burkolatának a leszerelésével járó javításokat csak márkaszervíz hajthat végre a készüléken. A készüléket ne próbálja megjavítani, áramütés érheti.
18. A készülékből gyúlékony gáz áramolhat ki, a hűtőközeg halmazállapot változás közben fagyásérülést okozhat.
19. A fagyasztóba palackos vagy dobozos szénsavas italokat ne tegyen be.
20. A fagyasztóból kivett és azonnal elfogyasztott fagyalt fagyási sérüléseket okozhat. A fagyalt elfogyasztása előtt várjon legalább 5 percet.
21. A fagyasztóból kivett élelmiszert nedves és vizes kézzel ne fogja meg. Ellenkező esetben fagyási sérülés érheti.



22. Ügyeljen arra, hogy a gyerekek ne kezeljék a készülék működtető elemeit.
23. A készülék nehéz. Legyen óvatos a készülék mozgatása közben. A készüléket két személy mozgassa.
24. A készüléket megváltoztatni vagy átalakítani tilos.
25. A hűtőszekrény belsejét világító LED lámpát csak márkaszerviz vagy villanyszerelő szakember cserélheti ki. A lámpát ne cserélje ki saját erőből.
26. **FIGYELMEZTETÉS!** A hűtőkészülékek - különösen az I. típusú hűtő-fagyasztó készülékek - nem működnek megfelelően (a tartalom felolvadhat, vagy a fagyasztott élelmiszerek rekeszében a hőmérséklet túl magas lehet), ha hosszabb időre a hűtőkészülék tervezése szerinti hőmérsékleti tartomány felső határát meghaladó hőmérsékleten üzemeltetik.
27. **FIGYELMEZTETÉS!** A zárral szerelt ajtók és fedelek kulcsait gyerekeknek elérhetetlen helyen kell elhelyezni, hogy véletlenül se tudják a játszó gyerekek egymásra zárni ezeket az ajtókat (fedeleket).
28. **FIGYELMEZTETÉS!** A készülékben felhasznált hűtőközeget és a hőszigetelő anyagokat veszélyes hulladékként kell kezelni a készülék megsemmisítése során.

## Elektromos bekötés

A készüléket 220-240 V~, 50 Hz feszültségű fali aljzathoz kell csatlakoztatni. A készüléket csak a típuscímkén feltüntetett tápfeszültség értékeivel megegyező hálózathoz szabad csatlakoztatni.

A készüléket nem szabad feszültségátalakítóról üzemeltetni.

A hálózati vezetékét a készülék mögött vezesse el. Ügyeljen arra, hogy a hálózati vezetékben senki se akadjon el vagy botoljon el.

A hálózati vezetékét a vezetéknél megfogva nem szabad a fali aljzathoz kihúzni. A művelethez mindig a csatlakozódugót fogja meg.

A készüléket ne üzemeltesse hosszabbító vezetékről. Ha a hálózati vezeték túl rövid, akkor forduljon a márkaszervizhez vagy villanyszerelő szakemberhez a vezeték meghosszabbítása vagy a fali aljzat közelebbi szerelése érdekében.

## Klímaosztály

A klímaosztályra vonatkozó információkat a készülék típuscímkéje tartalmazza. Itt találja meg a helyiség hőmérsékletére vonatkozó adatokat, amelyek betartása esetén a készülék optimálisan tud működni.

Klímaosztály	Környezeti hőmérséklet
SN	10 °C és 32 °C között
N	16 °C és 32 °C között
ST	16 °C és 38 °C között
T	16 °C és 43 °C között



### Megjegyzés:

A készülék üzemeltetési hőmérsékletét a klímaosztálytól, a környezeti hőmérséklettől, az ajtónyitogatás gyakoriságától stb. függően kell beállítani.

Ha a készüléket a klímaosztály paramétereitől eltérő körülmények között használja, akkor előfordulhat, hogy a készülék nem fog megfelelően hűteni.

## **Zár**

Ha a készülék zárral van ellátva, akkor a kulcsot tárolja biztonságos helyen (nem a készülék közelében), hogy gyerekek véletlenül se zárhassák be egymást a készülékbe. A készülék környezetbarát megsemmisítése előtt ezt a zárat ki kell szerelni, vagy úgy kell átalakítani, hogy a zárat és az ajtót ne lehessen bezárni.

## **R600a hűtőközeg**

A hűtőberendezésekben használt R600a hűtőközeg és a ciklo-pentán szigetelőanyag környezetbarát, nem károsítja az ózonréteget, és nagyon kis hatással van a globális felmelegedésre. A hűtőkörben található R600a hűtőközeg azonban gyúlékony. A hűtőközeg vagy a hűtőgázok szivárgásának az elkerülése érdekében fokozottan ügyeljen arra, hogy a készülék szállítása, telepítése vagy egyéb kezelése során ne sérüljön meg a hűtőkör. Ha a hűtőkör megsérül és hűtőközeg vagy hűtőgáz kiszivárog, akkor azonnal oltsa el a közelben található nyílt lángot és nyissa ki az ablakokat.

A hűtőközeget és hűtőgázt tartalmazó készülékeket környezetbarát és szakszerű módon kell ártalmatlanítani. A nem megfelelő ártalmatlanítás sérülést, gyulladást vagy más veszélyes helyzeteket okozhat. A hűtőközeget és a hűtőgázokat csak érvényes képesítéssel rendelkező, szakképzett személy kezelheti. Az ártalmatlanítás előtt győződjön meg arról, hogy a hűtőkör nem sérült-e meg.

- 1 Fagyasztó
- 2 Termosztát
- 3 Polc
- 4 Palacktartó, két borosüveg vagy két 1,5 l-es PET palack részére
- 5 Zöldségtároló fiók fedél
- 6 Zöldségtároló fiók
- 7 Beállítható láb
- 8 Mélyhűtő ajtó
- 9 Hűtőszekrény ajtó
- 10 Ajtópolc
- 11 Tojástartó
- 12 Jégkocka készítő



## MŰSZAKI PARAMÉTEREK

<b>Névleges feszültség</b>	220–240 V ~
<b>Névleges frekvencia</b>	50 Hz
<b>Névleges áramfelvétel</b>	0,4 A
<b>Energiafogyasztás E<sub>16</sub></b>	0,262 kWh/24 óra
<b>Energiafogyasztás E<sub>32</sub></b>	0,7 kWh/24 óra
<b>Teljes hasznos térfogat</b>	211 l
<b>Friss élelmiszer tároló hűtő rész</b>	170 l
<b>4 csillagos fagyasztó rész</b>	41 l
<b>Klímaosztály</b>	N/ST
<b>Hűtőközeg típusa / hűtőközeg tömege</b>	R600a/41 g
<b>Érintésvédelmi osztály</b>	I. osztály
<b>Hőszigetelő hab</b>	Ciklopentán
<b>Fagyasztó kapacitás</b>	2 kg/24 óra
<b>Méreték</b>	1428 × 540 × 551 mm
<b>Tömeg</b>	40 kg

## SZÁLLÍTÁS

A készüléket csak álló helyzetben szabad szállítani. A csomagolóanyag szállítás közben védi meg a készüléket az esetleges sérülésektől, ezért a csomagolóanyagot csak a telepítés helyén távolítsa el.

Amennyiben nincs más lehetőség, és a készüléket vízszintes állapotban kell szállítani, akkor a készüléket úgy kell elhelyezni, hogy az ajtó ne nyíljon ki és a készülék ne sérüljön meg. A telepítés helyén a készüléket függőleges helyzetbe kell állítani. A függőleges helyzetbe állítás után várjon legalább 4 órát a készülék elektromos hálózathoz való csatlakoztatásával, hogy a hűtőközeg stabilizálódjon a hűtőrendszerben. Ellenkező esetben a készülék meghibásodhat és veszélyes helyzeteket okozhat. A készüléket mindig legalább két ember mozgassa. A készüléket a felső lapnál, az ajtónál stb. megfogva nem szabad emelni és mozgatni.

## ELŐKÉSZÜLET A HASZNÁLATHOZ

### A készülék kicsomagolása

A hűtőszekrényt óvatosan csomagolja ki, arról távolítson el minden csomagolóanyagot, szalagot, címkét és fóliát.

### A telepítési hely kiválasztása

A hűtőszekrényt sima és szilárd, valamint vízszintes helyre, egy fali aljzathoz közel állítsa fel. A hűtőszekrényt ne állítsa fel szőnyegre vagy más puha alátételre, mert ez a készülék berezgését, illetve zavaró hangok keletkezését okozhatja.

A készülék csak háztartásokban és fedett helyen használható. A készüléket szabadban nem szabad használni, és a készüléket nem érheti eső, hó, nedvesség vagy más időjárási hatás.

A hűtőszekrényt állítsa vízszintes helyzetbe. A beállításhoz használja az állítható lábakat. A lábak megfelelő ki- és becsavarásával a hűtőszekrényt vízszintes helyzetbe tudja állítani. Fontos, hogy a hűtőszekrény vízszintes helyzetben álljon, ellenkező esetben a hűtőszekrény berezgezhet vagy kellemetlen zajokat bocsáthat ki.

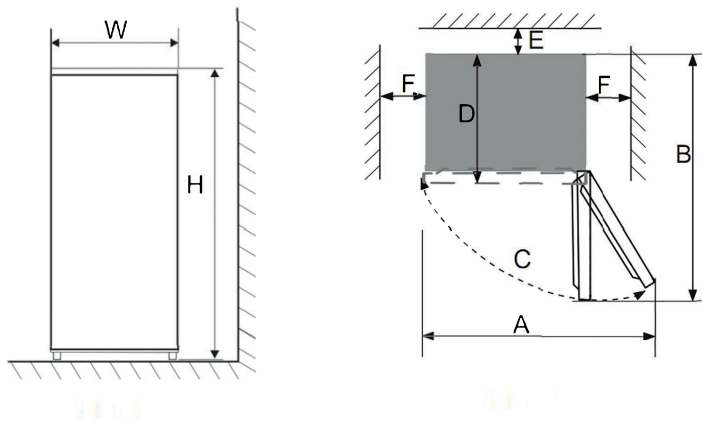
A hűtőközeg tömeg / helyiség térfogat arány legyen kisebb, mint  $8 \text{ g/m}^3$ . Ezt vegye figyelembe a telepítéshez.

A hűtőközeg tömegét a készülék típuscímkéje tartalmazza.

A készülék körül biztosítani kell a levegő szabad áramlásához szükséges minimális teret: felül 30 mm-t, oldalt 100 mm-t és hátul 50 mm-t.

### Méret (mm)

W (szélesség)	D (mélység)	H (magasság)	A	B	C (°)	E	F
540	551	1428	910	1054	130±5	50	100



A hűtőszekrényt ne állítsa fel nyílt láng vagy más hőforrás közelébe (fűtés, gáztűzhely stb.). Ügyeljen arra, hogy a hűtőszekrényt ne érje közvetlen napsütés.

A hűtőszekrényt ne telepítse nedves és poros környezetbe. A szellőzőnyílásokat ne takarja le.

A hűtőszekrény zavarhatja a tévék és rádiók vételét. A hűtőszekrényt a tévétől és rádióktól telepítse távol.

### Használatba vétel előtti tisztítás

Az első használatba vétel előtt, vagy ha a hűtőszekrényt régóta nem használta, akkor a belső felületeket és a tartozékokat (polcokat, fiókokat stb.) tiszta vízbe vagy ecetes vízbe mártott puha ruhával tisztítsa meg. A tisztításhoz ne használjon tisztítószereket, oldószereket, benzint stb., mert ezek maradandó sérüléseket okozhatnak a műanyag felületekben.

### Stabilitási idő

A telepítés vagy tisztítás után várjon legalább 1 órát a készülék bekapcsolásával. Eközben a hűtőközeg egyenletesen kitölti a hűtőrendszert.

### Csatlakoztatás az elektromos hálózathoz

A hálózati vezetékét csatlakoztassa egy szabályszerűen leföldelt falizathoz. A termosztátot állítsa be 4-es fokozatra, majd az ajtót csukja be. Várjon 1 órát, és ellenőrizze le, hogy a hűtőszekrény belsejében érezhető-e a hűtés. Várjon további 3-4 órát, az élelmiszerek hűtőszekrénybe rakodásával.

# HASZNÁLAT

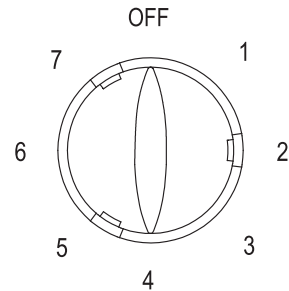
## Hőmérséklet beállítása

A hőmérsékletet a termosztát segítségével állítsa be, 1 és 7 között (az 1 a legnagyobb a 7 a legkisebb hőmérséklet). Az ajánlott beállítás: 4.

A hűtőszekrény lekapcsolásához a termosztátot állítsa OFF állásba.

A hűtőszekrény belső hőmérséklete függ a környezeti hőmérséklettől, az ajtónyitás gyakoriságától és a hűtőszekrénybe rakott ételek hőmérsékletétől.

Ha a hűtőszekrényben zúzmara vagy jégréteg képződik, akkor növelje a hőmérsékletet.



## Gyors fagyasztás funkció

A gyors fagyasztás funkcióval a belső tér gyorsabban lehűthető. Amennyiben nagyobb mennyiségű alapanyagot szeretne fagyasztani, akkor a készülék belső terét előbb alaposan hűtse le.

Az élelmiszerek behelyezése előtt egy órával korábban, a termosztátot fordítsa „7-es” állásba. Amikor a behelyezett élelmiszerek már alaposan lehűltek, akkor a termosztátot kisebb értékre állíthatja be.

A fagyasztó, a behelyezett alapanyagok mennyiségétől függően, körülbelül 1-2 óra alatt éri el a minimális hőmérsékletet (-18 °C).



### Megjegyzés:

A 6-7-es termosztát beállítást javasoljuk akkor, ha a környezeti hőmérséklet 16 °C-nál magasabb. Azonban a készülékben így gyorsabban keletkezik zúzmara vagy jéglarakódás (ha hosszabb ideig ebben az állásban van a termosztát). Ez normális jelenség. A termosztát beállításakor vegye figyelembe a környezeti hőmérsékletet is.

## Az élelmiszerek tárolása

A levegő a hűtőszekrényben cirkulál, emiatt a hűtőszekrény egyes részein eltérő a hőmérséklet. A különböző élelmiszereket és alapanyagokat ezért a hűtőszekrény különböző részein kell tárolni.

A hűtőszekrénybe csak eredeti csomagolásukban, vagy más, hűtésre és tárolásra alkalmas csomagolásban rakja be az élelmiszereket és italokat, így megelőzheti a szagok beszívódását és az élelmiszerek szennyeződését.

A hűtőszekrény polcokon tárolja a főtt ételeket, az italokat, a tojást, a tejtermékeket stb. A fiókban tárolja a zöldségeket és gyümölcsöket. A fagyasztóban tárolja a fagylyaltot, valamint a fagyasztott élelmiszereket és alapanyagokat stb.

## Az élelmiszerek elhelyezése a hűtőszekrényben

<b>Ajtópolcok</b>	Italok, dzsemek, ízesítők (pl. mustár), tojás
<b>Fiók</b>	Hűtőszekrényben tárolható gyümölcsök, zöldségek, zöldségfűszerek
<b>Felső és középső polcok</b>	Húsfélék, szárnyasok, halak, hústermékek, kész ételek stb.

Alsó polc

Tejtermékek

## Jégkocka készítő

A jégkocka készítőbe tiszta vizet töltsön be és tegye a készülék fagyasztó részébe.

## Élelmiszerek és alapanyagok vásárlása

- Ne pazaroljon. Készítsen bevásárlási listát és csak kisebb mennyiségű alapanyagot vásároljon.
- Mindig ellenőrizze le a fogyaszthatóság dátumát.
- Ellenőrizze le a csomagolást, azon nem lehet sérülés.
- Gyümölcsöket és zöldségeket illat, tapintás és szemrevételezés, valamint a frissesség ellenőrzése nélkül ne vásároljon. Csak hibamentes zöldségeket és gyümölcsöket vásároljon.
- A fagyasztott élelmiszereket vásárolja meg legutoljára, és ezeket hőszigetelő táskában tárolja a fagyasztóba rakás előtt.
- A vásárláskor még az üzletben ellenőrizze le a mirelit alapanyag csomagolásának a sérülésmentességét.
- Tartsa be az alapanyag maximális tömegére vonatkozó előírást (amit 24 órán belül fagyasztani lehet). Ezt az adatot általában a típuscímke is tartalmazza. A fagyasztás ideje alatt lehetőleg minél ritkábban nyissa ki az ajtót.
- A fagyasztott alapanyagok behelyezése előtt ellenőrizze le, hogy a készülék belső terében a hőmérséklet már elérte-e a kívánt fagyasztási hőmérsékletet (különösen akkor, ha mirelit termékeket kíván tárolni). Ellenkező esetben a behelyezett mirelit termék felolvadhat és megromolhat.
- A készülékbe helyezés előtt a meleg alapanyagokat hűtse le.
- A friss alapanyagokat tegye zacskókba. A zacskókon tüntesse fel az alapanyag nevét, tömegét és a tárolás kezdeti dátumát. A zacskó felülete legyen teljesen száraz.

## Az élelmiszerek tárolása

- Rendszeresen ellenőrizze le és időben használja fel a tárolt élelmiszereket.
- A gyakran fogyasztott élelmiszereket a polc elejére tegye. Így rövidebb ideig lesz nyitva az ajtó.
- A kiolvasztott élelmiszereket ismét megfagyasztani tilos.
- A kiolvasztott húst főzze vagy süsse meg.
- A hűtőszekrényben ne tároljon túl sok élelmiszert. Az élelmiszerek között legyen szabad hely a levegő áramlásához.
- A meleg ételeket hűtse le, mielőtt a hűtőszekrénybe rakná.
- Ne nyitogassa túl gyakran az ajtót.
- Csak hűtőszekrényben tárolható élelmiszereket tároljon a hűtő részben. Bizonyos gyümölcsöket és zöldségeket nem kell a hűtőszekrényben tárolni (pl. citrusfélék, paradicsom stb.).
- A fagyasztóba csak eredeti csomagolásukban, vagy más, fagyasztásra és tárolásra alkalmas csomagolásban rakja be az élelmiszereket és italokat, így megelőzheti a szagok beszívódását és az élelmiszerek szennyeződését.
- Az alapanyagokat ne tegye túl közel a hátsó falhoz. A túl sok vizet tartalmazó alapanyagok hozzáfagyhatnak a hátsó falhoz.
- A mélyhűtőbe ne tegyen folyadékokat tartalmazó üvegpalackokat vagy fém dobozokat. A palack vagy doboz tartalmának a térfogata a fagyasztás közben nagyobb lesz, ami a palack vagy doboz szétrobbanásához vezethet.

## TISZTÍTÁS ÉS KARBANTARTÁS

A hűtőszekrényt tartsa tisztán. Az ételmaradványok a hűtőszekrényben kellemetlen szagokat képeznek. A polcokat és fiókokat havonta legalább egyszer törölje meg.

### Rendszeres karbantartás

- A hűtőszekrényből (a fagyasztó kivételével) vegyen ki minden tárolt élelmiszert, majd vegye ki a polcokat és fiókokat. A polcokat és fiókokat mosogatószeres meleg vízben kézzel mosogassa el, majd öblítse le, végül szárítsa meg.
- A hűtőszekrény belsejét mosogatószeres vízbe mártott puha ruhával törölje meg. Majd törölje szárazra.
- Az ajtószigetelést és az ajtó belsejét mosogatószeres meleg vízbe mártott és jól kicsavart puha ruhával törölje meg.
- A hűtőszekrény külső felületét enyhén benedvesített (szükség esetén mosogatószeres vízbe mártott) ruhával törölje meg.
- A hűtőszekrény hátsó részéről a port távolítsa el. A por és egyéb szennyeződések eltávolításához használhatja a porszívót is (kefés szívófejjel és kis szívási teljesítménnyel).



#### Figyelmeztetés!

A tisztításhoz ne használjon durva tisztítószereseket, oldó- és hígítószereseket, benzint stb. A készüléket csak puha ruhával vagy szivaccsal tisztítsa. A készüléket drótszivaccsal, vagy más hasonló eszközzel ne tisztítsa, ezek maradandó sérülést okozhatnak a felületekben.

### Leolvasztás

A termosztátot állítsa OFF állásba és a hálózati vezetékét is húzza a fali aljzatból.

A hűtőszekrényből és a fagyasztóból vegyen ki minden élelmiszert és alapanyagot. Az ajtókat hagyja nyitva. A kivett élelmiszereket csavarja törülközőbe és tegye hűtőtáskába. A hűtőtáskát tegye hideg helyre (pl. télen az erkélyre).

Óvatosan távolítsa el a zúzmarát és a jég lerakódásokat. Ehhez a művelethez használja a műanyag kaparót. Ne használjon fém és éles eszközöket. A belső felületeket törölje szárazra.

Az élelmiszereket tegye vissza a hűtőszekrénybe, a hálózati vezetékét csatlakoztassa a fali aljzathoz, majd állítsa be a termosztátot.

Ügyeljen arra, hogy minél gyorsabban hajtsa végre a leolvasztást és a tisztítást, hogy a kivett alapanyagok ne olvadjanak fel.



#### FIGYELMEZTETÉS!

**A kiolvasztáshoz gőzképző készüléket, hajszárítót, hősugárzót stb. használni tilos.**



#### Figyelmeztetés!

A készüléket és a hálózati vezetékét vízbe vagy más folyadékba mártani, vagy folyóvíz alatt elmosni tilos.

### A belső világítás cseréje

A hűtőszekrény belső részét megvilágító LED lámpát csak márkaszerviz vagy villanyszerelő szakember cserélheti ki. A lámpát ne cserélje ki saját erőből. Forduljon a márkaszervizhez. A termékbe épített fényforrás energiahatékonysági osztályba sorolása „G”.



## A hűtőszekrény hosszabb ideig tartó kikapcsolása

Ha a hűtőszekrényt hosszabb ideig nem kívánja használni, akkor a termosztátot állítsa OFF állásba és a hálózati vezetékét is húzza a fali aljzathoz. A fentiek szerint tisztítsa meg a készülék belső részét és külső felületeit, valamint a tartozékokat. Az ajtót hagyja nyitva, hogy ne legyen szagos a készülék belseje.

## PROBLÉMAMEGOLDÁS

Probléma	Ok	Megoldás
A hűtőszekrény nem hűt.	A hálózati vezeték nincs a fali aljzathoz csatlakoztatva.	Dugja a csatlakozódugót ütközésig a fali aljzatba.
	A kismegszakító lekapcsolt.	Ellenőrizze le a kismegszakítót és az áramvédő kapcsolót.
	Áramkimaradás van.	Ne nyitogassa feleslegesen a hűtőszekrény ajtaját.
	A hűtőszekrény nem megfelelő helyre van telepítve.	A hűtőszekrényt nem érheti közvetlen napsütés és nem lehet közel hőforrásokhoz. Ha a környezeti hőmérséklet 10 °C alatt van, akkor a hűtőkör működése nem lesz megfelelő.
A hűtőszekrény furcsa hangot ad ki.	A hűtőszekrény nem áll vízszintes helyzetben.	A lábakkal állítsa be a hűtőszekrényt.
	A hűtőszekrény hozzáér a falhoz.	A hűtőszekrényt húzza el a faltól.
A hűtő nem hűt megfelelő módon.	A hűtőszekrényben túl sok az élelmiszer, vagy meleg élelmiszert rakott be.	Ellenőrizze le a berakott élelmiszereket. A meleg ételeket hűtse le, mielőtt a hűtőszekrénybe rakná.
	Túl gyakran nyitogatja az ajtót.	Ne nyitogassa feleslegesen az ajtót.
	Az ajtó nem tömít megfelelő módon.	Távolítsa el az ajtó tömítést és a készülék háza közé került tárgyat, a tömítést tisztítsa meg.
	A hűtőszekrényt közvetlenül sűti a nap, vagy a közelben valamilyen hőforrás üzemel.	A hűtőszekrényt állítsa másik helyre.
	A hűtőszekrény körül nincs szabad hely a levegő áramlásához.	A hűtőszekrényt állítsa másik helyre.
	Túl magas hőmérsékletet állított be.	Csökkentse a beállított hőmérsékletet.

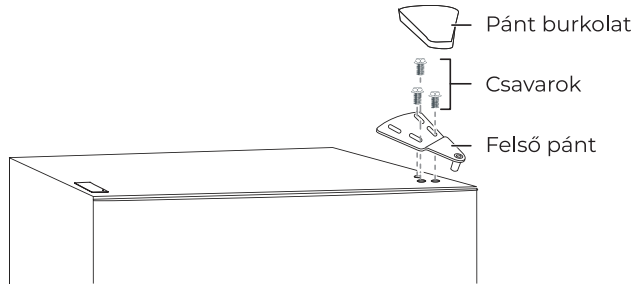
Probléma	Ok	Megoldás
A hűtőszekrényben kellemetlen szag van.	A hűtőszekrényben romlott élelmiszer van.	A romlott élelmiszereket dobja ki.
	A hűtőszekrény belső részét ki kell tisztítani.	A hűtőszekrényt tisztítsa ki.
	Az erős illatú élelmiszereket nem csomagolta be.	Az ilyen élelmiszereket tegye légmentesen záró csomagolásba.

Ha a problémát a táblázatban leírtak szerint nem tudta megszüntetni, akkor a készüléket kapcsolja le és húzza ki a hálózati vezetéket a fali aljzatból, majd forduljon a vevőszolgálatunkhoz vagy a márkaszervizhez.

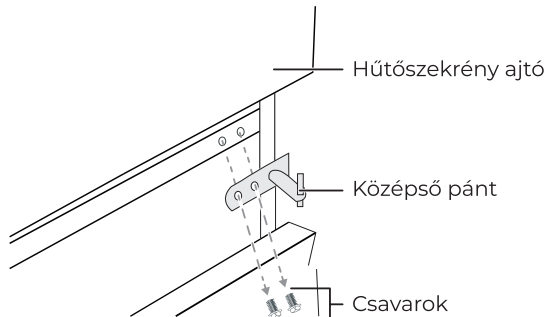
## AZ AJTÓNYITÁS IRÁNYÁNAK A MEGVÁLTOZTATÁSA

Javasoljuk, hogy az ajtónyitás irányának a megfordítását két személy hajtsa végre.

1. A készüléket kapcsolja le és az elektromos hálózatról is válassza le.
2. Vegye le a felső pánt burkolatot, csavarozza ki a három csavart, és vegye le a felső pántot.

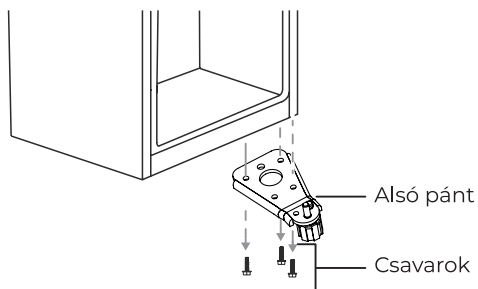


3. A mélyhűtő ajtaját vegye le és tegye félre.
4. A középső pántot rögzítő két csavart csavarozza ki.

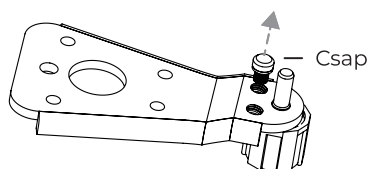


5. A hűtőszekrény ajtaját vegye le és tegye félre.

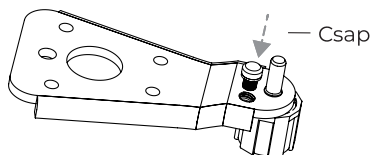
6. Az alsó pántot rögzítő csavarokat csavarozza ki és vegye le az alsó pántot.



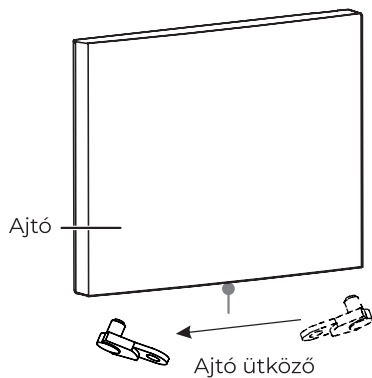
7. Az alsó pánt jobb furatában található menetes csapról csavarozza le az anyát és az alátétet. Húzza ki a menetes csapot.



8. A menetes csapot dugja a bal furatba. Az alátétet és az anyát csavarozza vissza a csapra.

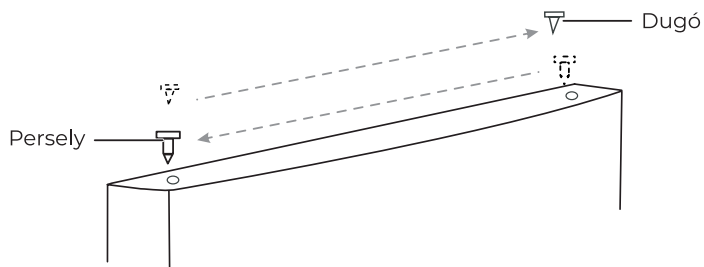


9. Az alsó pántot rögzítse a másik oldalra. A csavarokat jól húzza meg.  
10. A hűtőszekrény ajtón alul található ütközőt rögzítő csavart csavarozza ki, Vegye le az ütközőt és szerelje át a másik oldalra.

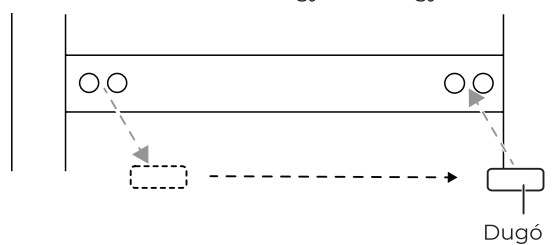


11. A hűtőszekrény ajtó felszerelése

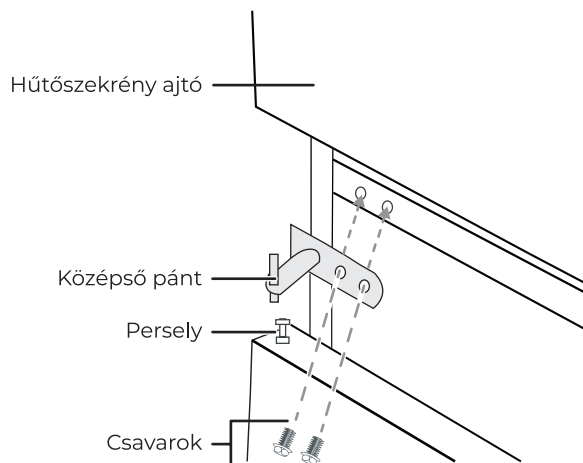
12. A perselyt és a dugót az ajtó felső részén cserélje fel. Mindkettőt dugja az ajtóban található furatba.



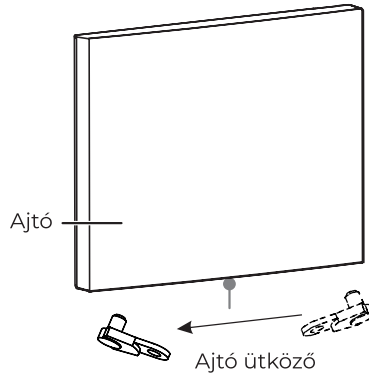
13. A középső pánt furatok takarólemezt vegye le és tegye át a másik oldalra.



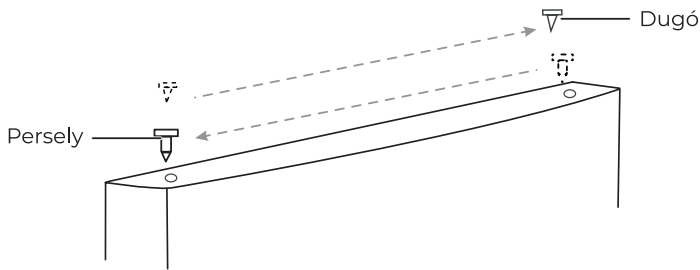
14. A középső pántot rögzítse a másik oldalon.



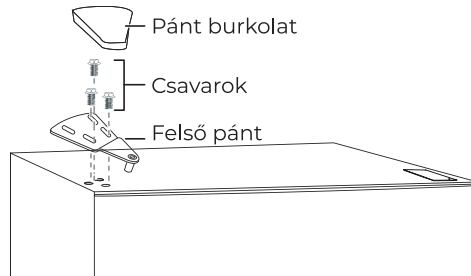
15. A mélyhűtő ajtón alul található ütközőt rögzítő csavart csavarozza ki, Vegye le az ütközőt és szerelje át a másik oldalra.



16. A mélyhűtő ajtó felszerelése  
 17. A perselyt és a dugót az ajtó felső részén cserélje fel. Mindkettőt dugja az ajtóban található furatba.



18. A felső pánt furatok takarólemezt vegye le és tegye át a másik oldalra.  
 19. A felső pántot három csavarral rögzítse. A csavarok végleges meghúzása előtt ellenőrizze le az ajtó nyitását és az ajtó megfelelő zárását (tömítését). A pántra tegye fel a burkolatot.



#### Megjegyzés:

Mindkét ajtón ellenőrizze le az ajtó tömítések megfelelő felülését a szekrény előlő peremére. Ha az ajtók nincsenek helyesen beállítva, akkor a tömítés nem fog megfelelő módon tömíteni (nem lesz hatékony a hűtés).

## Termékinformációs adatlap

A BIZOTTSÁG (EU) 2019/2016 FELHATALMAZÁSON ALAPULÓ RENDELETE a hűtőkészülékek energiacímkzéséről

**A szállító neve vagy védjegye:** Siguro

**A szállító címe:** PL - SIGURO, Jankovcova 1522/53 17000 Praha Holešovice Česká republika

**Modellazonosító:** SGR-TF-J140W

**A hűtőkészülék típusa:**

Alacsony zajkibocsátású készülék:	Nem	Kialakítás típusa:	szabadon álló
Bortároló készülék:	Nem	Egyéb hűtőkészülék:	Nem

**Általános termékparaméterek:**

Paraméter	Érték	Paraméter	Érték
Teljes méret (milliméter)	Magasság	Teljes térfogat (dm <sup>3</sup> vagy liter)	211
	Szélesség		
	Mélység		
EEI	100	Energiahatékonysági osztály	E
Levegőben terjedő akusztikus zajkibocsátás [1 pW-ra vonatkoztatott dB(A)]	41	A levegőben terjedő akusztikus zajkibocsátás osztálya	C
Éves energiafogyasztás (kWh/év)	176	Klímaosztály:	mérsékelt, szubtrópusi
Az a környezeti hőmérsékleti minimum (°C), amelyre a hűtőkészülék alkalmas	16	Az a környezeti hőmérsékleti maximum (°C), amelyre a hűtőkészülék alkalmas	38
Téli üzemmód	Nem		

**Rekeszparaméterek:**

Rekesztípus	Rekeszparaméterek és -értékek		
	Rekesztérfogat (dm <sup>3</sup> vagy liter)	Az élelmiszerek optimális tárolására szolgáló ajánlott hőmérséklet-beállítás (°C) Ezek a beállítások nem lehetnek ellen-	Fagyasztókapacitás (kg/24 óra)

			tmondás- ban a IV. melléklet 3. táblázatában előírt tárolási fel- tételekkel.		
Kamra	Nem	-	-	-	-
Bortároló	Nem	-	-	-	-
Pincerekesz	Nem	-	-	-	-
Frissentartó	Igen	170,0	-	-	-
Hűtőrekesz	Nem	-	-	-	-
0-csillagos vagy jégké- szítés	Nem	-	-	-	-
1-csillagos	Nem	-	-	-	-
2-csillagos	Nem	-	-	-	-
3-csillagos	Nem	-	-	-	-
4-csillagos	Igen	41,0	-	-	-
2-csillagos rész	Nem	-	-	-	-
Változtatható hőmér- sékletű rekesz	-	-	-	-	-
<b>4-csillagos rekeszek esetében</b>					
Gyorsfagyasztási lehetőség			Nem		
<b>A fényforrás paraméterei:</b>					
A fényforrás típusa			LED		
Energiahatékonysági osztály			G		
<b>A gyártó által vállalt jótállás minimális időtartama: 36 hónap</b>					
<b>Kiegészítő információk:</b>					
Internetes hivatkozás a gyártó honlapjára, ahol az (EU) 2019/2019 bizottsági rendelet mellékletének 4. a) pontjában foglalt információ megtalálható: <a href="http://www.siguro.cz">www.siguro.cz</a>					

## Termékinformációs adatlap

A BIZOTTSÁG (EU) 2019/2016 FELHATALMAZÁSON ALAPULÓ RENDELETE a hűtőkészülékek energiacímkzéséről

**A szállító neve vagy védjegye:** Siguro

**A szállító címe:** PL - SIGURO, Jankovcova 1522/53 17000 Praha Holešovice Česká republika

**Modellazonosító:** SGR-TF-J140S

**A hűtőkészülék típusa:**

Alacsony zajkibocsátású készülék:	Nem	Kialakítás típusa:	szabadon álló
Bortároló készülék:	Nem	Egyéb hűtőkészülék:	Nem

**Általános termékparaméterek:**

Paraméter	Érték	Paraméter	Érték
Teljes méret (milliméter)	Magasság	Teljes térfogat (dm <sup>3</sup> vagy liter)	211
	Szélesség		
	Mélység		
EEI	100	Energiahatékonysági osztály	E
Levegőben terjedő akusztikus zajkibocsátás [1 pW-ra vonatkoztatott dB(A)]	41	A levegőben terjedő akusztikus zajkibocsátás osztálya	C
Éves energiafogyasztás (kWh/év)	176	Klímaosztály:	mérsékelt, szubtrópusi
Az a környezeti hőmérsékleti minimum (°C), amelyre a hűtőkészülék alkalmas	16	Az a környezeti hőmérsékleti maximum (°C), amelyre a hűtőkészülék alkalmas	38
Téli üzemmód	Nem		

**Rekeszparaméterek:**

Rekesztípus	Rekeszparaméterek és -értékek		
	Rekesztérfogat (dm <sup>3</sup> vagy liter)	Az élelmiszerek optimális tárolására szolgáló ajánlott hőmérséklet-beállítás (°C) Ezek a beállítások nem lehetnek ellen-	Fagyasztókapacitás (kg/24 óra)



			tmondás- ban a IV. melléklet 3. táblázatában előírt tárolási fel- tételekkel.		
Kamra	Nem	-	-	-	-
Bortároló	Nem	-	-	-	-
Pincerekesz	Nem	-	-	-	-
Frissentartó	Igen	170,0	-	-	-
Hűtőrekesz	Nem	-	-	-	-
0-csillagos vagy jégké- szítés	Nem	-	-	-	-
1-csillagos	Nem	-	-	-	-
2-csillagos	Nem	-	-	-	-
3-csillagos	Nem	-	-	-	-
4-csillagos	Igen	41,0	-	-	-
2-csillagos rész	Nem	-	-	-	-
Változtatható hőmér- sékletű rekesz	-	-	-	-	-
<b>4-csillagos rekeszek esetében</b>					
Gyorsfagyasztási lehetőség			Nem		
<b>A fényforrás paraméterei:</b>					
A fényforrás típusa			LED		
Energiahatékonysági osztály			G		
<b>A gyártó által vállalt jótállás minimális időtartama: 36 hónap</b>					
<b>Kiegészítő információk:</b>					
Internetes hivatkozás a gyártó honlapjára, ahol az (EU) 2019/2019 bizottsági rendelet mellékletének 4. a) pontjában foglalt információ megtalálható: <a href="http://www.siguro.cz">www.siguro.cz</a>					

## Termékinformációs adatlap

A BIZOTTSÁG (EU) 2019/2016 FELHATALMAZÁSON ALAPULÓ RENDELETE a hűtőkészülékek energiacímkezéséről

**A szállító neve vagy védjegye:** Siguro

**A szállító címe:** PL - SIGURO, Jankovcova 1522/53 17000 Praha Holešovice Česká republika

**Modellazonosító:** SGR-TF-J140Y

**A hűtőkészülék típusa:**

Alacsony zajkibocsátású készülék:	Nem	Kialakítás típusa:	szabadon álló
Bortároló készülék:	Nem	Egyéb hűtőkészülék:	Nem

**Általános termékparaméterek:**

Paraméter	Érték	Paraméter	Érték
Teljes méret (milliméter)	Magasság	Teljes térfogat (dm <sup>3</sup> vagy liter)	211
	Szélesség		
	Mélység		
EEL	100	Energiahatékonysági osztály	E
Levegőben terjedő akusztikus zajkibocsátás [1 pW-ra vonatkoztatott dB(A)]	41	A levegőben terjedő akusztikus zajkibocsátás osztálya	C
Éves energiafogyasztás (kWh/év)	176	Klímaosztály:	mérsékelt, szubtrópusi
Az a környezeti hőmérsékleti minimum (°C), amelyre a hűtőkészülék alkalmas	16	Az a környezeti hőmérsékleti maximum (°C), amelyre a hűtőkészülék alkalmas	38
Téli üzemmód	Nem		

**Rekeszparaméterek:**

Rekeszparaméterek és -értékek			
Rekesztípus	Rekesztérfogat (dm <sup>3</sup> vagy liter)	Az élelmiszerek optimális tárolására szolgáló ajánlott hőmérséklet-beállítás (°C) Ezek a beállítások nem lehetnek ellen-	Fagyasztókapacitás (kg/24 óra)
			Defrosting type (auto-defrost=A, manual defrost=M)

2019/2016

			tmondás- ban a IV. melléklet 3. táblázatában előírt tárolási fel- tételekkel.		
Kamra	Nem	-	-	-	-
Bortároló	Nem	-	-	-	-
Pincerekesz	Nem	-	-	-	-
Frissentartó	Igen	170,0	-	-	-
Hűtőrekesz	Nem	-	-	-	-
0-csillagos vagy jégké- szítés	Nem	-	-	-	-
1-csillagos	Nem	-	-	-	-
2-csillagos	Nem	-	-	-	-
3-csillagos	Nem	-	-	-	-
4-csillagos	Igen	41,0	-	-	-
2-csillagos rész	Nem	-	-	-	-
Változtatható hőmér- sékletű rekesz	-	-	-	-	-
<b>4-csillagos rekeszek esetében</b>					
Gyorsfagyasztási lehetőség			Nem		
<b>A fényforrás paraméterei:</b>					
A fényforrás típusa			LED		
Energiahatékonysági osztály			G		
<b>A gyártó által vállalt jótállás minimális időtartama: 36 hónap</b>					
<b>Kiegészítő információk:</b>					
Internetes hivatkozás a gyártó honlapjára, ahol az (EU) 2019/2019 bizottsági rendelet mellékletének 4. a) pontjában foglalt információ megtalálható: <a href="http://www.siguro.cz">www.siguro.cz</a>					

## ENGLISH

The use of the WEEE Symbol indicates that this product should not be treated as household waste. By ensuring this product is disposed of correctly, you will help protect the environment. For more detailed information about the recycling of this product, please contact your local authority, your household waste disposal service provider, or the shop where you purchased the item.

This product meets all of the related basic EU regulation requirements. The EU declaration of conformity is available on [www.alzashop.com/doc](http://www.alzashop.com/doc).

This product sold in the European Union meet the requirements of Directive 2011/65/EU on the restriction of the use of certain hazardous substances in electrical and electronic equipment (RoHS).

## DEUTSCH

Das WEEE-Symbol weist darauf hin, dass dieses Produkt nicht als normaler Haushaltsabfall behandelt werden darf. Indem Sie sicherstellen, dass dieses Produkt ordnungsgemäß entsorgt wird, tragen Sie zum Schutz der Umwelt bei. Für detailliertere Informationen zum Recycling dieses Produkts wenden Sie sich bitte an Ihre lokale Behörde, Ihren Hausmüllentsorgungsdienstleister oder das Geschäft, in dem Sie das Produkt erworben haben. Dieses Produkt erfüllt alle relevanten EU-Vorschriften. Die EU-Konformitätserklärung ist unter [www.alzashop.com/DoC](http://www.alzashop.com/DoC) einsehbar. Dieses in der Europäischen Union verkaufte Produkt erfüllt die Anforderungen der EU Richtlinie 2011/65/EU zur Beschränkung der Verwendung bestimmter gefährlicher Stoffe in Elektronikgeräten (RoHS)

## ČESKY

Použití symbolu WEEE označuje, že tento výrobek nesmí být považován za domovní odpad. Zajištěním správné likvidace tohoto výrobku pomáháte chránit životní prostředí. Pro podrobnější informace o recyklaci tohoto výrobku se prosím obraťte na místní úřad zabývající se likvidací domovního odpadu, poskytovatele služby zabývající se likvidací domovního odpadu

nebo obchodu, kde jste produkt zakoupili. Tento výrobek splňuje veškeré základní požadavky směrnice EU. EU prohlášení o shodě je k dispozici na [www.alzashop.com/doc](http://www.alzashop.com/doc).

Tento výrobek prodáváný v Evropské unii splňuje požadavky směrnice 2011/65/EU omezující používání některých nebezpečných látek v elektrických a elektronických zařízeních (RoHS).

## SLOVENSKY

Použitie symbolu WEEE označuje, že tento výrobok sa nesmie likvidovať s komunálnym odpadom. Ak výrobok správne zlikvidujete, prispějete k ochrane životného prostredia. Podrobnejšie informácie o recyklácii výrobku získate na miestnom zastupiteľstve, u poskytovateľov služieb likvidácie domového odpadu alebo v predajni, v ktorej ste výrobok zakúpili. Tento výrobok spĺňa všetky základné požiadavky smernice EÚ. EÚ Vyhlásenie o zhode je k dispozícii na [www.alzashop.com/doc](http://www.alzashop.com/doc).

Tento výrobok, predávaný v Európskej únii, spĺňa požiadavky smernice 2011/65/EU obmedzujúce používanie niektorých nebezpečných látok v elektrických a elektronických zariadeniach (RoHS).

## MAGYAR

A WEEE szimbólum azt jelzi, hogy ez a termék nem kezelhető háztartási hulladékként. A termék helyes megsemmisítésének biztosításával segít védeni a környezetet. A termék újrahasznosításával kapcsolatos részletesebb információkért, kérjük, forduljon a helyi hatóságokhoz, a háztartási hulladékkezelő szolgáltatóhoz vagy a bolthoz, ahol a terméket megvásárolta. Ez a termék megfelel az összes rá vonatkozó EU-s szabályozási követelménynek. Az EU megfelelőségi nyilatkozata a [www.alzashop.com/DoC](http://www.alzashop.com/DoC) címen érhető el. Az Európai Unióban értékesített termékek megfelelnek az elektromos és elektronikai berendezésekben való egyes veszélyes anyagok használatának korlátozására vonatkozó 2011/65/EU (RoHS) iránymelnek.

CE



R20231103

**SIGURO**

Alza.cz a.s., Jankovcova 1522/53, 170 00 Prague 7, Czech Republic  
© 2024 Alza.cz a.s. All Rights Reserved.

[www.siguro.net](http://www.siguro.net)