

SIGURO

Cooker Hood

Cooker Hood
Dunstabzugshaube
Odsavač par
Odsávač pár
Kémény szagelszívó

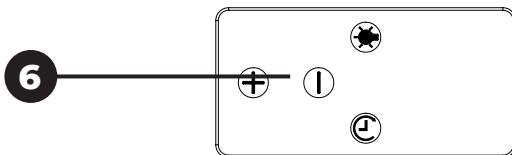
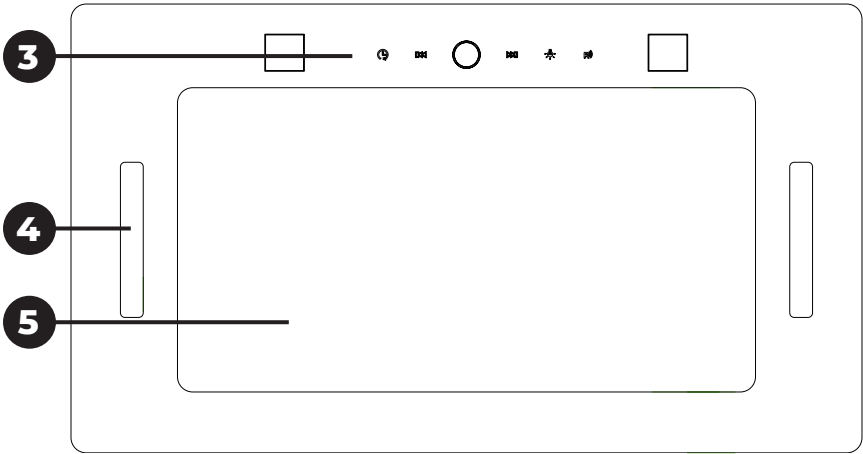
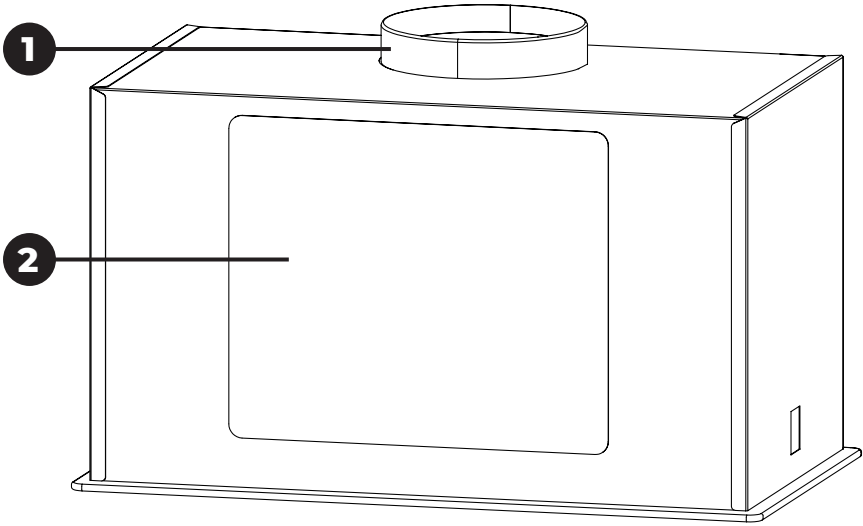


- EN Translation of the operating instructions from the original language.
DE Übersetzung der Bedienungsanleitung aus der Originalsprache.
CZ Návod k použití v originálním jazyce.
SK Preklad návodu na použitie z originálneho jazyka.
HU A használati utasítás fordítása eredeti nyelvről.

SGR-HD-B550B

SIGURO

ENGLISH	4
Safety information	4
Use	8
Cleaning and maintenance	10
Troubleshooting	11
DEUTSCH	12
Sicherheitshinweise	12
Verwendung	17
Reinigung und wartung	19
Problemlösung	20
ČESKY	21
Bezpečnostní informace	21
Použití	25
Čištění a údržba	27
Řešení problémů	28
SLOVENSKY	29
Bezpečnostné informácie	29
Použitie	33
Čistenie a údržba	35
Riešenie problémov	36
MAGYAR	37
Biztonsági információk	37
Használat	41
Tisztítás és karbantartás	43
Problémamegoldás	44



Thank you for purchasing a SIGURO appliance. We are grateful for your trust and are pleased to introduce the device to you on the following pages and introduce you to all its functions and uses.

We believe in a fair and responsible company, and therefore we only work with suppliers who meet our strict criteria to protect the interests of employees, prevent their abuse and fair working conditions.

If you need help with extensive maintenance or repair of the product that requires intervention in its internal parts, our authorized service is available to you at the e-mail address siguro@alza.cz or the operator on the vendor's helpline. For your convenience, in solving any problems with the product, we have unified these contact points and the above contacts can be used in case of any complaints or post-warranty service.

SAFETY INFORMATION



Please read this manual carefully before use and keep it for future reference.

1. This appliance is intended for use by children 8 years of age and older and persons with reduced physical, sensory or mental capabilities, or lack of experience and knowledge, provided they have been given supervision or instruction concerning use of the appliance in a safe manner and understand the potential hazards.
2. Children must not play with the device.
3. Cleaning and user maintenance must not be performed by children without supervision.
4. If the power cord is damaged, it must be replaced by the manufacturer, its service agent or similarly qualified persons in order to avoid a dangerous situation.
5. Provide adequate room ventilation if the range hood is used at the same time as appliances burning gas or other fuels, except for appliances that only blow air back into the room.
6. Carry out the method and frequency of cleaning according to the instructions in the "Cleaning and maintenance" chapter. Follow all instructions in this manual.
7. **WARNING:** There is a risk of fire if cleaning is not carried out according to the instructions.
8. It is forbidden to flambé or use an open flame under the hood.
9. **WARNING:** When using cooking appliances, accessible parts can become hot. Take extra care. There is a risk of serious burns and injury if used incorrectly.
10. The extracted air must not be vented into a chimney used to exhaust fumes from appliances burning gas or other fuels, with the exception of

appliances that only discharge air back into the room.

11. The minimum distance between the surface of the hob and the lowest part of the hood is 65 cm.
12. Follow the regulations regarding venting the extracted air.
13. This range hood is only intended for installation above a hob with a maximum of four cooking zones.
14. Follow the installation instructions in this manual.
15. Use the supplied mounting kit or a kit recommended by the manufacturer to attach the range hood.
16. **WARNING:** Incorrect installation of screws or attached devices specified in the instructions may result in an electrical hazard.
17. The range hood is designed to extract steam and vapors during cooking in the home. Do not use it in a commercial establishment. Do not use it for purposes other than those for which it is intended.
18. Before connecting the plug of the power cord to the mains socket, make sure that the voltage on the rating plate corresponds to the voltage in your socket.
19. Connect this range hood only to a properly grounded outlet. Do not use extension cords, portable extension sockets, adapters or other similar devices.
20. Switch off the hood and disconnect the power supply plug whenever you clean it, change the lighting, assemble or disassemble it.
21. When replacing lighting, always use the same type of fluorescent light specified by the manufacturer.
22. This range hood cannot be used as a support surface.
23. If the hood is damaged, contact an authorized service center to have it repaired. Never repair it yourself. There is a risk of injury from electric shock.

Lighting specifications

Type of fluorescent light: L10

Shape: square

Rated power: 1.5 W

Overview

- 1 Outlet opening
- 2 Outer shell
- 3 Control panel
- 4 Lighting (located on both sides)
- 5 Front panel
- 6 Remote control



Not shown

- Motor unit
- Grease filter
- Carbon filter (1 pc)
- Return chimney valve


Control panel

 On/off button with display

 Timer button

 Power down button

 Power up button

 Light on/off button


 Remote control sensor

Remote control

 Power up/timer setting button

 Power down/timer setting button

 Timer button

 Light on/off button

TECHNICAL SPECIFICATIONS

Power	220–240 V~, 50/60 Hz
Power consumption	124 W
Dimensions	520 × 295 × 320 mm
Weight	8.1 kg
Motor type	S1, 550m ³ /h, 120 W
Suction pipe diameter	150 mm

INSTALLATION



WARNING:

Incorrect installation of screws or attached devices specified in the instructions may result in an electrical hazard.



Warning:

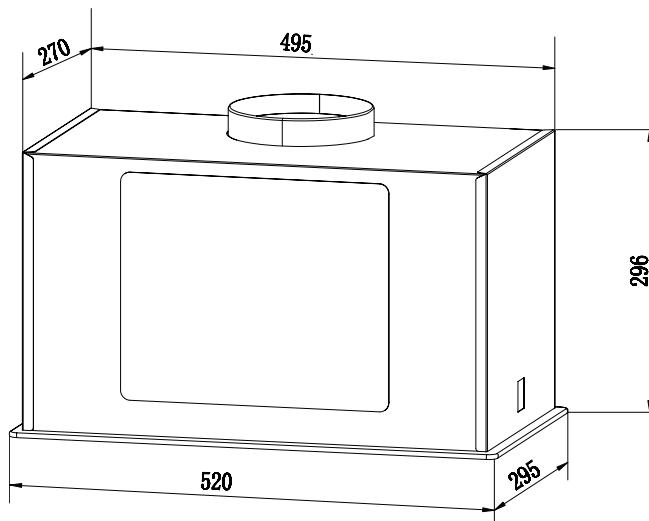
Make sure the hood is turned off and disconnected from the power source prior to installation.

Supplied mounting kit:

2× fixing washer

4× fasteningscrew

Plan



Installation instructions

The minimum distance between the surface of the hob and the lowest part of the hood is 65 cm. The range hood is designed both for extraction into the chimney and for air recirculation.

We recommend that two adults perform the installation.

1. Chimney flue

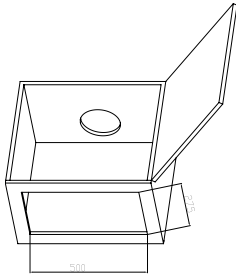
The fumes are vented out of the building using a suction pipe that is connected to a non-return valve at the top of the hood. The diameter of the suction pipe must match the diameter of the non-return valve. The suction pipe is not included in the package. If the range hood has been used with a carbon filter, it must be removed if it is to be used again with a chimney flue.

2. Recirculation

During recirculation, air is discharged back into the room. The intake air is degreased and deodorized, and is then discharged back into the room.

A carbon filter must be installed before using the hood in this way.

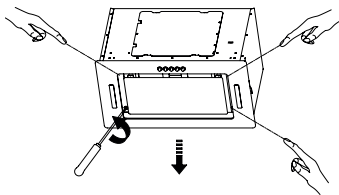
Installation



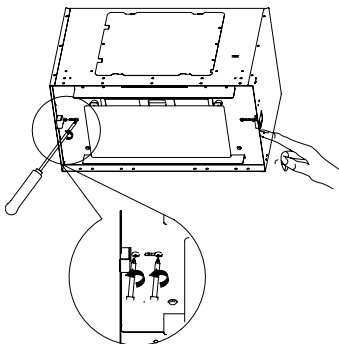
1. Cut a hole of the appropriate size in the cabinet where you will install the cooker hood.

Note:

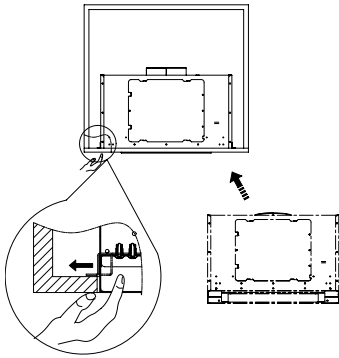
The depth of the cabinet must not be less than 26 cm. A free space of 5 cm must be left at the front and back.



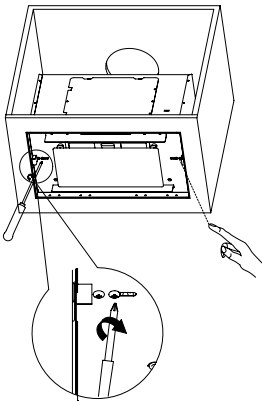
2. Loosen the four screws of the front panel, remove the decorative frame and slightly tilt the front panel to disconnect the cables. After disconnecting, put the front panel and decorative frame aside.



3. Loosen the screws of both fixing washers, which are located on the sides of the cooker hood.



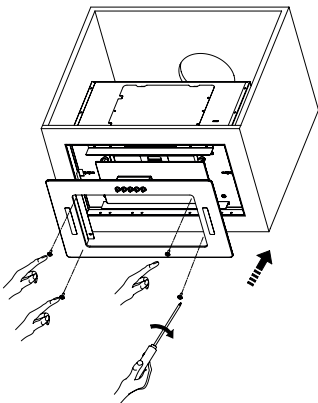
4. Insert the cooker hood into the opening in the cabinet.
5. Carefully push the fixing washers outwards to release them from the hood. It is important that the hood in this case is inserted deeper in the cabinet so that the washers can be easily pushed out.
6. Once the washers are fully extended, carefully place the hood down until the extended parts of the washers rest on the cabinet inside.



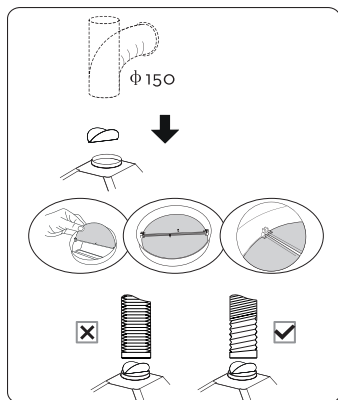
7. Secure the fixing washers with the screws and make sure they are firmly tightened.

Note: Depending on the cabinet ty, it will be necessary to drill a 24 × 11 mm hole to allow the washers to fit easier in the cabinet. Such openings have to be drilled before inserting the hood into the cabinet.

The fixing washers have an adjustable range of 6 to 28 mm, depending on the thickness of the wood layer.



8. Attach the decorative frame to the hood body with four screws. Make sure that they are properly tightened.
9. Attach the front panel to the hood body and plug the line back in.
10. First insert the back part of the panel into the hood body and then the front part of the panel. Secure using screws. Make sure they are well tightened.



11. Insert the non-return valve on the outlet opening in the upper part of the hood.
12. Attach the end of the suction pipe to the non-return valve in the upper part of the range hood.
13. **Chimney flue** Attach the other end of the suction pipe to the flange in the wall. It must have a diameter corresponding to the suction pipe. A smaller diameter can cause lower suction performance and higher noise when using the range hood. Do not bend the suction pipe excessively. The maximum bending angle is 90°. To ensure efficient suction performance, we recommend bending the suction pipe only once.
14. **Recirculation:** Cut a hole in the top of the cabinet of the same diameter as the suction pipe. Insert a protective grille specially designed for recirculating air into the room in the opening. Attach the other end of the suction pipe to the protective grille from below.

Electrical wiring

Before plugging the range hood into the mains socket, make sure that the voltage indicated on its rating plate matches the voltage in your mains socket. If in doubt, contact your electricity supplier.

If the socket needs to be modified, always contact a qualified electrician. The electrical wiring must be carried out in accordance with the valid regulations and directives in force in the country of installation.

The range hood is equipped with an electrical plug, which you plug into a properly grounded electrical outlet after installation.

We recommend that the electrical socket to which the range hood will be connected be placed in a separate circuit with its own circuit breaker.

USE

Before first use

Wipe the outside of the appliance with a soft sponge slightly moistened with warm water.

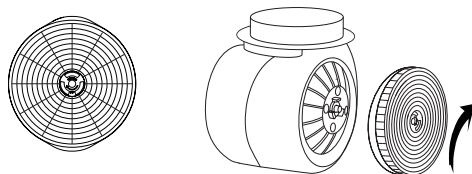
Inserting the carbon filters



Note:

Do this step if you are using the recirculation method.

1. Remove the front panel and carefully remove the grease filter.
2. Insert the new filter on one side of the motor unit and turn the filter clockwise to secure it.
3. Install the grease filter and front panel.



Switching On/Off

After connecting the hood to the electrical socket, all buttons and indicator lights will light up briefly and then go out. The on/off button and the display will light up white. Press and hold the on/off button to turn on the hood. All indicator lights will light up briefly and the display will show "0". The cooker hood switches to standby mode. If you are not going to use the hood, press the on/off button and the hood will turn off.



Note:

In standby mode, the hood automatically switches off after 2 minutes of inactivity.

Power setting

While the hood is on, adjust its power using the **◀▶** buttons on the control panel of the hood or using the +/- buttons on remote control.

You can set the power from 1 to 3, where 1 represents the lowest power and 3 the highest power.

If the display shows "0", the cooker hood stops and switches to standby mode.

Timer

1. When the hood is on, press the **⌚** button for 3 seconds.
2. The display flashes and you can set the time of automatic switch-off time from 1 to 9 minutes, using the **◀▶** buttons on the control panel of the hood or or +/- buttons on remote control.
3. Press again the **⌚** button to save the setting. If you do not take any action within 10 seconds, the settings will be saved automatically.
4. When the cooker hood motor is on and the timer is set, it can be adjusted as described above (steps 1 to 3). The display shows the countdown of the set timer time.
5. If you want to set the timer while the hood is off, follow the instructions above (steps 1 to 3). However, the countdown will only start when you turn on the hood.

Turn lighting on/off

Press briefly the **☀** button on the control panel or **☀** on remote control and the lighting turns on. Press the button again to turn the lighting off.

Remote control

The remote control is supplied with inserted batteries from the manufacturer. To use the remote control, remove the protective film from the battery compartment. It protects the battery from discharge and damage during transport.

If you want to use the remote control, point it at the sensor on the control panel. The maximum range of signal sent from the remote control is 6 m. If obstacles are located between the remote control and the appliance, the signal cannot be transmitted.

If the inserted battery is empty it needs to be replaced by the same type. Proceed as follows:

1. Slide the cover with the battery compartment from the bottom of the remote control.
2. Remove the depleted battery and insert a new 3V CR2032 battery. Observe correct polarity when inserting a battery.
3. Insert cover with the compartment back into the remote control.


If you will not use the remote control for a long time, we recommend removing the battery. If the battery leaks into the interior of the remote control, it could damage it.



Warning:

Never put batteries in fire, short circuit or damage them in any way. After the end of their lifetime, discard them in environmentally friendly manner. Never dispose of batteries in household waste.

Pairing the remote control with the cooker hood.

1. While the hood is off, press the  button for 2 seconds, the indicator starts flashing and a beep sounds.
2. Press any button on the remote control and a beep will sound. The light will turn off and the pairing has been completed successfully.
3. If you do not press any button on the remote control within 3 seconds, the light will go out and the hood will turn off.



Note:

Pairing only needs to be done once before first use, or if the internal memory of the hood has been cleared.

CLEANING AND MAINTENANCE

Always switch off the appliance, disconnect the power cord plug from the mains socket prior to cleaning or any maintenance.



Warning:

Never immerse the appliance, power cord or plug in water or other liquids.

Do not use plastic or metal scrapers, harsh cleaners, chemicals, petrol, solvents or other similar substances to clean any parts of the appliance. The surface finish could be seriously damaged.

Regular cleaning

Use a soft sponge, slightly moistened in lukewarm water with a little detergent. Wipe with dry dish towel.

Grease filter

The grease filter has to be cleaned at least once a month. The grease filter captures grease, smoke and dust. It has a direct effect on the performance of the hood.



Warning:

There is a risk of fire if the grease filter is not cleaned regularly.

1. Remove the front panel and carefully remove the grease filter.
2. Wash the grease filter in warm water with a little dishwashing liquid.
3. Rinse and wipe dry.
4. Install in place and replace the front cover.

**Warning:**

Before installing the grease filter, make sure it is completely dry.

**Note:**

You can wash the grease filter in the dishwasher. Place it vertically in the upper basket to increase washing efficiency. However, the water temperature should not exceed 65 °C.

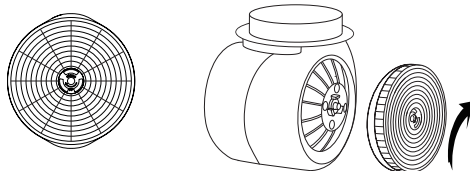
Carbon filter replacement

**Note:**

Do this step if you are using the recirculation method.

The carbon filter absorbs unpleasant odours from cooking. Its saturation occurs through long-term use, intensive cooking and regular cleaning of the grease filter. We recommend changing the carbon filter every 3 months.

1. Remove the front panel and carefully remove the grease filter.
2. Turn the carbon filter counterclockwise to loosen it and carefully remove it.
3. Insert the new filter on one side of the motor unit and turn the filter clockwise to secure it. Make sure the filter is installed correctly. Improper installation can cause abnormal noise and vibrations, which can lead to damage to the hood.



4. Install the grease filter and front panel.

**Warning:**

The carbon filter must not be washed.

Light replacement

1. Switch off the hood and disconnect it from the power socket.
2. Loosen the screws of the lighting cover and carefully remove the cover.
3. Unscrew the fluorescent light.
4. Insert a new fluorescent light of the same type.
5. Replace the cover and fasten with screws.

**Warning:**

The fluorescent light heats up during use and may be hot even after it is turned off. Allow it to cool (at least 10 minutes) before replacing.

Type of fluorescent light: L10

Shape: square

Rated power: 1.5 W

TROUBLESHOOTING

Problem	Cause	Solution
The lighting comes on, but the range hood does not start working.	The fan is blocked.	Switch off the hood and contact an authorized service.
	The motor is damaged.	
Neither the lights nor the hood turn on.	The fluorescent light is broken.	Replace the fluorescent light.
	The plug is not inserted properly in the socket.	Check the plug connection in the socket.
The range hood emits strong vibrations.	The fan is blocked.	Switch off the hood and contact an authorized service.
	The fan motor is not properly tightened.	
	The range hood is not properly installed.	Carefully remove the hood and reinstall it.
Poor hood performance.	The hood is placed too high above the hob.	The recommended distance between the range hood and the hob is 65 to 75 cm.

If the problem is not listed in the table above or if the problem persists, switch off the appliance, disconnect the plug from the electrical outlet and contact an authorized service center.

DISPOSAL OF USED BATTERIES

Batteries contain materials harmful to the environment. Do not dispose of batteries in a regular community waste. Dispose of used batteries properly at collection points.



Vielen Dank, dass Sie sich für ein Gerät der Marke SIGURO entschieden haben. Wir sind dankbar für Ihr Vertrauen und freuen uns, Ihnen das Gerät auf den folgenden Seiten vorzustellen und Sie mit all seinen Funktionen und Verwendungszwecken vertraut zu machen.

Wir glauben an ein faires und verantwortungsvolles Unternehmen und arbeiten daher nur mit Lieferanten zusammen, die unsere strengen Kriterien zum Schutz der Interessen der Mitarbeiter, zur Verhinderung von Missbrauch und fairen Arbeitsbedingungen erfüllen.

Wenn Sie Hilfe bei der umfassenden Wartung oder Reparatur des Produkts benötigen, die einen Eingriff in die Innenteile erfordert, stehen Ihnen unser autorisierter Kundendienst unter der E-Mail-Adresse siguro@alza.cz oder die Hotline des Verkäufers zur Verfügung. Bei der Lösung von Problemen mit dem Produkt haben wir diese Kontaktstellen vereinheitlicht. Die oben genannten Kontakte können auch bei Beschwerden oder Nachgarantieservice genutzt werden.

SICHERHEITSHINWEISE



Lesen Sie vor der Anwendung sorgfältig dieses Benutzerhandbuch durch und bewahren Sie es für den künftigen Gebrauch auf.

1. Dieses Gerät kann von Kindern ab 8 Jahren und von Personen mit verminderten physischen, sensorischen und mentalen Fähigkeiten oder mangelnden Erfahrungen und Kenntnissen benutzt werden, sofern sie beaufsichtigt werden oder über die Anwendung des Geräts auf eine sichere Weise belehrt wurden und eventuelle Gefahren verstehen.
2. Kinder dürfen nicht mit dem Gerät spielen.
3. Die durch den Benutzer vorgenommene Reinigung und Wartung darf nicht von unbeaufsichtigten Kindern durchgeführt werden.
4. Wenn das Netzkabel beschädigt ist, muss es vom Hersteller, seinem Servicetechniker oder einer ähnlich qualifizierten Person ersetzt werden, um gefährliche Situationen zu vermeiden.
5. Sorgen Sie dafür, dass der Raum ausreichend belüftet wird, wenn die Dunstabzugshaube gleichzeitig mit Geräten verwendet wird, die Gas oder andere Brennstoffe verbrennen, mit Ausnahme von Geräten, die nur Luft in den Raum zurückgeben.
6. Befolgen Sie bei der Reinigung und der Reinigungsfrequenz die Anweisungen im Kapitel „Reinigung und Wartung“. Befolgen Sie alle Anweisungen in diesem Handbuch.
7. **WARNUNG:** Es besteht Brandgefahr, wenn die Reinigung nicht gemäß der Bedienungsanleitung durchgeführt wird.
8. Es ist verboten, unter der Dunstabzugshaube zu flambieren oder ein

offenes Feuer zu verwenden.

9. **HINWEIS:** Bei der Verwendung von Kochgeräten können die zugänglichen Teile heiß werden. Seien Sie besonders vorsichtig. Bei unsachgemäßer Verwendung besteht die Gefahr von schweren Verbrennungen und Verletzungen.
10. Die Abluft darf nicht in den Schornstein abgeführt werden, der für die Ableitung von Abgasen aus Geräten vorgesehen ist, die Gas oder anderen Brennstoffe verbrennen, mit Ausnahme von Geräten, die nur Luft in den Raum zurückgeben.
11. Der Mindestabstand zwischen der Oberfläche des Kochfelds und dem untersten Teil der Dunstabzugshaube beträgt 65 cm.
12. Beachten Sie die Vorschriften beim Ablassen der Abluft.
13. Diese Dunstabzugshaube ist ausschließlich als Einbaugerät über das Kochfeld mit maximal vier Kochzonen vorgesehen.
14. Befolgen Sie bei der Demontage die Anweisungen in dieser Bedienungsanleitung.
15. Verwenden Sie zur Befestigung der Dunstabzugshaube das mitgelieferte oder ein vom Hersteller empfohlenes Montage-Set.
16. **WARNUNG:** Eine falsche Montage der in der Bedienungsanleitung angegebenen Schrauben oder befestigten Vorrichtungen kann zu einem Elektrounfall führen.
17. Die Dunstabzugshaube ist für die Absaugung von Dampf und Dunst vorgesehen, die beim Kochen im Haushalt entstehen. Verwenden Sie sie nicht in einer kommerziellen Umgebung. Verwenden Sie sie nur für die Zwecke, für die sie vorgesehen ist.
18. Vergewissern Sie sich vor dem Einstecken des Steckers in die Steckdose, dass die auf dem Geräteschild angegebene Spannung mit der Spannung in Ihrer Steckdose übereinstimmt.
19. Schließen Sie die Dunstabzugshaube nur an eine ordnungsgemäß geerdete Steckdose an. Verwenden Sie keine Verlängerungskabel, tragbare Verlängerungssteckdosen, Adapter oder andere ähnliche Geräte.
20. Schalten Sie die Verlängerungssteckdosen aus und ziehen Sie den Stecker aus der Steckdose heraus, wenn Sie sie reinigen, die Beleuchtung auswechseln, montieren oder demontieren.
21. Verwenden Sie beim Auswechseln der Beleuchtung immer denselben Typ der Leuchtstofflampe, die vom Hersteller angegeben ist.
22. Diese Dunstabzugshaube kann nicht als tragende Fläche verwendet werden.
23. Wenn die Dunstabzugshaube beschädigt ist und eine Reparatur benötigt, wenden Sie sich an eine autorisierte Kundendienststelle. Reparieren Sie sie unter keinen Umständen selbst. Es besteht die Gefahr eines Stromschlags.

Spezifikation der Beleuchtung

Typ der Leuchtstofflampe: L10

Form: quadratisch

Nennspannung: 1,5 W

Übersicht



- 1 Austrittsöffnung
- 2 Äußerer Mantel
- 3 Bedienfeld
- 4 Beleuchtung (auf beiden Seiten)
- 5 Frontplatte
- 6 Fernbedienung

Nicht abgebildet

- Motoreinheit
- Fettfilter
- Kohlefilter (1 Stück)
- Schornstein-Rückschlagklappe

Bedienfeld



Ein/Aus-Taste mit Display



Timer-Taste



Taste zur Leistungsreduzierung



Taste zur Leistungssteigerung



Taste zum Einschalten/Ausschalten der Beleuchtung



Fernbedienungssensor

Fernbedienung



Taste für Leistungssteigerung/Timer-Einstellung



Taste für Leistungsreduzierung/Timer-Einstellung



Timer-Taste



Taste zum Einschalten/Ausschalten der Beleuchtung

TECHNISCHE PARAMETER

Stromversorgung	220–240 V~, 50/60 Hz
Stromverbrauch	124 W
Abmessungen	520 × 295 × 320 mm
Gewicht	8,1 kg
Motortyp	S1, 550m ³ /h, 120 W
Durchmesser des Abluftrohrs	150 mm

INSTALLATION



WARNUNG:

Eine falsche Montage der in der Bedienungsanleitung angegebenen Schrauben oder befestigten Vorrichtungen kann zu einem Elektrounfall führen.



Warnung:

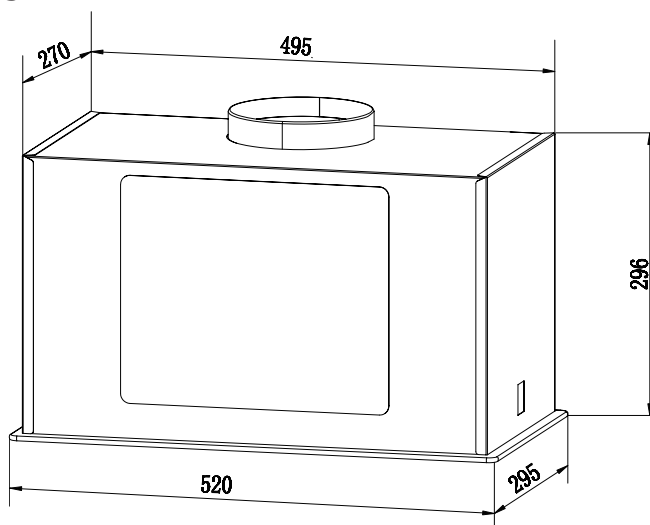
Vergewissern Sie sich vor der Installation, dass die Dunstabzugshaube ausgeschaltet und vom Stromnetz getrennt ist.

Mitgeliefertes Montage-Set:

2× Montageplatte

4× Befestigungsschraube

Zeichnung



Hinweise zur Installation

Der Mindestabstand zwischen der Oberfläche des Kochfelds und dem untersten Teil der Dunstabzugshaube beträgt 65 cm. Die Dunstabzugshaube ist für die Absaugung in den Schornstein sowie für die Umluft vorgesehen.

Wir empfehlen, dass zwei Erwachsene die Installation durchführen.

1. Abluft durch den Schornstein

Die Dämpfe werden über ein Abluftrohr aus dem Gebäude abgezogen, das mit einem Rückschlagventil am oberen Ende der Dunstabzugshaube befestigt ist. Der Durchmesser des Abluftrohrs muss mit dem Durchmesser der Rückschlagklappe übereinstimmen. Das Abluftrohr ist nicht im Lieferumfang enthalten.

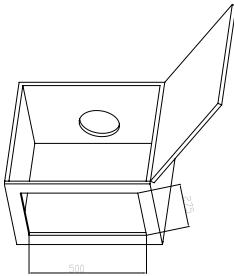
Wenn die Dunstabzugshaube mit einem Kohlefilter verwendet wird, muss dieser entfernt werden, wenn die Abluft neu in den Schornstein abgezogen werden soll.

2. Umluft

Bei der Umluft wird die Luft wieder in den Raum zurückgeführt. Die angesaugte Luft wird von Fett und Gerüchen befreit und anschließend wieder in den Raum zurückgeführt.

Bevor die Dunstabzugshaube auf diese Weise verwendet wird, muss der Kohlefilter installiert werden.

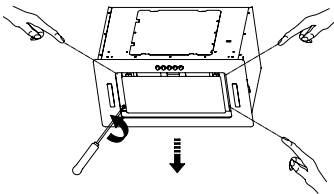
Installation



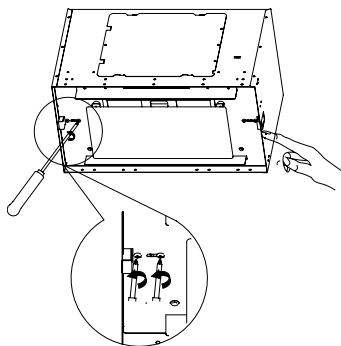
1. Schneiden Sie ein entsprechend großes Loch in den Schrank, in den Sie die Dunstabzugshaube anbringen möchten.

Bemerkung:

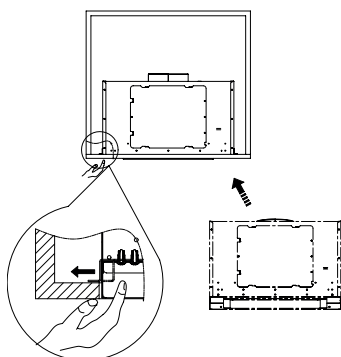
Die Tiefe des Schrankes darf nicht weniger als 26 cm betragen. Vor und hinter dem Gerät muss ein Freiraum von 5 cm eingehalten werden.



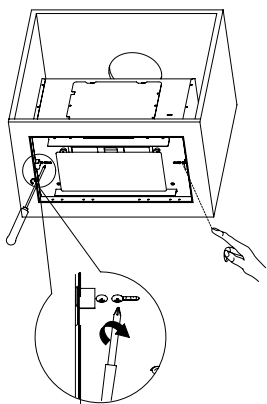
2. Lösen Sie vier Schrauben auf der Frontplatte, entfernen Sie den dekorativen Rahmen und neigen Sie die Frontplatte ein wenig nach vorne, um die Kabel zu trennen. Sobald die Kabel getrennt sind, legen Sie die Frontplatte und den dekorativen Rahmen beiseite.



3. Lösen Sie die Schrauben der beiden Montageplatten, die sich an den Seiten der Dunstabzugshaube befinden.



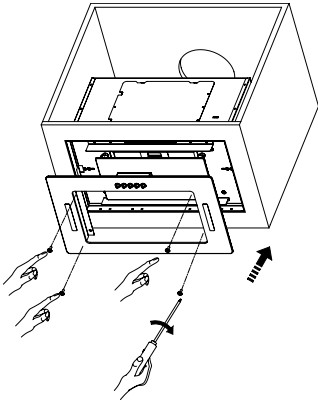
4. Platzieren Sie die Dunstabzugshaube in die Öffnung im Schrank.
5. Drücken Sie die Montageplatten vorsichtig nach außen, um sie aus der Dunstabzugshaube herauszuziehen. Es ist wichtig, dass die Dunstabzugshaube tiefer in den Schrank liegt, damit die Montageplatte mühelos herausfahren können.
6. Sobald die Montageplatten vollständig ausgezogen sind, setzen Sie die Dunstabzugshaube vorsichtig auf, bis die ausgefahrenen Teile der Montageplatten im Schrankinnere aufsitzen.



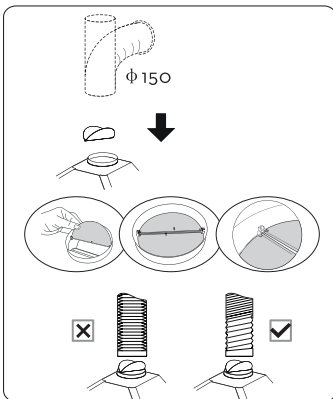
7. Befestigen Sie die Montageplatten mit Schrauben und vergewissern Sie sich, dass sie fest angezogen sind.

Bemerkung: In Abhängigkeit vom Schrank muss eventuell ein Schlitz von 24 × 11 mm gebohrt werden, damit die Montageplatten leichter in den Schrank passen. Die Schlitzte müssen vor dem Einsetzen der Dunstabzugshaube in den Schrank gebohrt werden.

Die Montageplatten haben einen einstellbaren Bereich von 6 bis 28 mm, je nach Dicke der Holzschicht.



8. Befestigen Sie den dekorativen Rahmen mit vier Schrauben an den Körper der Dunstabzugshaube. Vergewissern Sie sich, dass die Schrauben fest angezogen sind.
9. Legen Sie die Frontplatte an die Dunstabzugshaube und schließen Sie die Kabel wieder an.
10. Legen Sie zuerst die Rückseite des in den Körper der Dunstabzugshaube und erst dann die Frontplatte ein. Fixieren Sie sie mit Schrauben. Vergewissern Sie sich, dass sie fest angezogen sind.



11. Montieren Sie die Rücklaufklappe am Auslass im oberen Teil der Dunstabzugshaube.
12. Befestigen Sie das Ende des Abluftrohrs an die Rücklaufklappe im oberen Teil der Dunstabzugshaube.
13. **Abluft durch den Schornstein:** Befestigen Sie das andere Ende des Abluftrohrs am Flansch in der Wand. Der Durchmesser des Flansches muss mit dem Durchmesser des Abluftrohrs übereinstimmen. Ein kleinerer Durchmesser kann die Absaugleistung verringern und mehr Lärm bei der Verwendung der Dunstabzugshaube verursachen. Biegen Sie das Abluftrohr nicht zu stark. Der maximale Biegewinkel beträgt 90°. Für eine effiziente Absaugleistung empfehlen wir, das Abluftrohr nur einmal zu biegen.
14. **Umluft:** Schneiden Sie im oberen Teil des Schrankes ein Loch, dessen Durchmesser mit dem Durchmesser des Abluftrohrs übereinstimmt. Setzen Sie in das Loch das Schutzgitter ein, das dafür sorgt, dass die Luft zurück in den Raum abgeleitet wird. Befestigen Sie das andere Ende des Abluftrohrs von unten an das Schutzgitter.

Stromanschluss

Vergewissern Sie sich vor dem Einstecken des Netzsteckers in die Steckdose, dass die auf dem Geräteschild der Dunstabzugshaube angegebene Spannung mit der Spannung in Ihrer Steckdose übereinstimmt. Sollten Sie Zweifel haben, wenden Sie sich an Ihren Stromanbieter.

Wenden Sie sich immer an einen qualifizierten Elektriker, wenn die Steckdose geändert werden muss. Die Elektroleitungen müssen in Übereinstimmung mit den im jeweiligen Installationsland geltenden Vorschriften und Verordnungen durchgeführt werden.

Die Dunstabzugshaube ist mit einem Stecker mit Gabel ausgestattet, der nach der Installation in eine ordnungsgemäß geerdete Steckdose gesteckt werden muss.

Wir empfehlen, die Steckdose, an die die Dunstabzugshaube angeschlossen werden

soll, an einem separaten Stromkreis mit eigenem Schutzschalter anzuschließen.

VERWENDUNG

Vor der Erstverwendung

Wischen Sie die Außenfläche des Geräts mit einem weichen, mit etwas warmem Wasser angefeuchteten Schwamm ab.

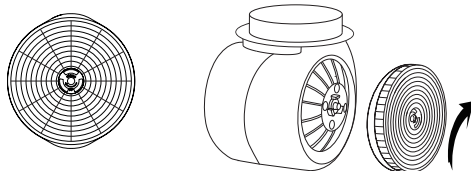
Einsetzen des Kohlefilters



Bemerkung:

Führen Sie diesen Schritt aus, wenn Sie den Umluftbetrieb verwenden.

1. Nehmen Sie die vordere Abdeckung ab und nehmen Sie vorsichtig den Fettfilter heraus.
2. Setzen Sie den neuen Filter auf eine Seite der Motoreinheit und drehen Sie den Filter im Uhrzeigersinn, um ihn zu befestigen.
3. Setzen Sie den Fettfilter und die Frontplatte auf.



Einschalten/Ausschalten

Sobald die Dunstabzugshaube an das Stromnetz angeschlossen ist, leuchten alle Tasten und Anzeigen kurz auf und erlöschen dann. Die Ein/Aus-Taste und das Display leuchten weiß.

Halten Sie die Ein/Aus-Taste lange gedrückt, um die Dunstabzugshaube einzuschalten. Alle Anzeigen leuchten kurz auf und auf dem Display wird „0“ angezeigt. Die Dunstabzugshaube geht in den Standby-Modus über.



Wenn Sie die Dunstabzugshaube nicht benutzen, drücken Sie die Ein/Aus-Taste, um die Dunstabzugshaube auszuschalten.



Bemerkung:

Im Standby-Modus schaltet sich die Dunstabzugshaube nach 2 Minuten Inaktivität automatisch ab.





Leistungseinstellungen

Stellen Sie bei eingeschalteter Dunstabzugshaube mit den Tasten  /  auf dem Bedienfeld oder mit den Tasten +/- auf der Fernbedienung die Leistung der Dunstabzugshaube ein.



Sie können die Leistung von 1 bis 3 einstellen, wobei 1 die niedrigste Leistung und 3 die höchste Leistung darstellt.

Wenn auf dem Display „0“ angezeigt wird, stoppt die Dunstabzugshaube und geht in den Standby-Modus über.

Timer

1. Halten Sie bei eingeschalteter Dunstabzugshaube die Taste  3 Sekunden lang gedrückt.
2. Die Anzeige blinkt und Sie können die automatische Abschaltzeit von 1 bis 9 Minuten mit den Tasten   auf dem Bedienfeld der Dunstabzugshaube oder mit den Tasten +/- auf der Fernbedienung einstellen.
3. Drücken Sie die Taste  erneut, um die Einstellung zu speichern. Wenn Sie innerhalb von 10 Sekunden keine Aktion durchführen, wird die Einstellung automatisch gespeichert.
4. Wenn der Motor der Dunstabzugshaube eingeschaltet und der Timer eingestellt ist, können sie wie oben beschrieben (Schritte 1 bis 3) eingestellt werden. Das Display zeigt den Countdown des Timers an.
5. Wenn Sie den Timer bei ausgeschalteter Dunstabzugshaube einstellen möchten, befolgen Sie die obigen Anweisungen (Schritte 1 bis 3). Der Countdown beginnt jedoch erst, wenn Sie die Dunstabzugshaube einschalten.

Ein-/Ausschalten der Beleuchtung

Drücken Sie kurz die Taste  auf dem Bedienfeld oder die Taste  auf der Fernbedienung und die Beleuchtung schaltet sich ein. Schalten Sie das Licht durch erneutes Drücken aus.

Fernbedienung

Die Fernbedienung wird mit einer werksseitig eingelegten Batterie geliefert. Damit Sie die Fernbedienung benutzen können, entfernen Sie die Schutzfolie vom Batteriefach. Diese schützt die Batterie vor Entladung und Beschädigung während des Transports. Wenn Sie die Fernbedienung benutzen möchten, richten Sie sie auf den Sensor auf dem Bedienfeld. Die maximale Reichweite des von der Fernbedienung gesendeten Signals beträgt 6 m. Wenn sich Hindernisse zwischen der Fernbedienung und dem Gerät befinden, kann das Signal möglicherweise nicht übertragen werden. Wenn die eingelegte Batterie leer ist, muss sie durch den gleichen Typ ersetzt werden. Gehen Sie wie folgt vor:


1. Schieben Sie die Abdeckung des Batteriefachs aus der Unterseite der Fernbedienung heraus.
2. Nehmen Sie die leere Batterie heraus und legen Sie eine neue Batterie 3V des Typs CR2032 ein. Achten Sie beim Einlegen der Batterie auf die richtige Polarität.
3. Legen Sie die Abdeckung mit dem Batteriefach wieder in die Fernbedienung ein. Wenn Sie die Fernbedienung über eine längere Zeit nicht benutzen, empfehlen wir Ihnen, die Batterie aus der Fernbedienung zu entfernen. Sollte die Batterie in das Innere der Fernbedienung auslaufen, könnte die Fernbedienung beschädigt werden.

Warnung:



Geben Sie die Batterien niemals ins Feuer, schließen Sie sie nicht kurz und beschädigen Sie sie in keiner Weise. Entsorgen Sie sie am Ende ihrer Lebensdauer auf umweltfreundliche Weise. Entsorgen Sie Batterien über den Hausmüll.

Kopplung der Fernbedienung mit der Dunstabzugshaube

1. Halten Sie bei ausgeschalteter Dunstabzugshaube die Taste  2 Sekunden lang gedrückt, die Anzeige blinkt und ein akustisches Signal ertönt.
2. Drücken Sie eine beliebige Taste auf der Fernbedienung und es ertönt ein akustisches Signal. Die Anzeige erlischt und der Kopplungsvorgang war

erfolgreich.

3. Wenn Sie innerhalb von 3 Sekunden keine Taste auf der Fernbedienung drücken, erlischt die Anzeige und die Dunstabzugshaube schaltet sich aus.



Bemerkung:

Die Kopplung muss nur einmal vor der Erstverwendung durchgeführt werden oder wenn der interne Speicher der Dunstabzugshaube gelöscht wurde.

REINIGUNG UND WARTUNG

Schalten Sie das Gerät immer aus, ziehen Sie den Stecker aus der Steckdose und lassen Sie es vollständig abkühlen, bevor Sie es reinigen oder warten.



Warnung:

Tauchen Sie das Gerät, das Netzkabel oder den Stecker niemals in Wasser oder andere Flüssigkeiten.

Verwenden Sie keine Topfkratzer aus Kunststoff oder Metall, grobe Reinigungsmittel, Chemikalien, Benzin, Lösungsmittel oder ähnliche Stoffe, um irgendwelche Teile des Geräts zu reinigen. Es könnte zu ernsthaften Schäden an der Oberfläche kommen.

Routinemäßige Reinigung

Verwenden Sie einen weichen Schwamm, der in lauwarmem Wasser mit etwas Spülmittel angefeuchtet wurde. Wischen Sie sie mit einem trockenen Tuch ab.

Fettfilter

Der Fettfilter sollte mindestens einmal im Monat gereinigt werden. Der Fettfilter fängt Fett, Rauch und Staub ab. Er hat direkten Einfluss auf die Leistung der Dunstabzugshaube.



Warnung:

Wenn der Fettfilter nicht regelmäßig gereinigt wird, besteht Brandgefahr.

1. Nehmen Sie die vordere Abdeckung ab und nehmen Sie vorsichtig den Fettfilter heraus.
2. Waschen Sie den Fettfilter in warmem Wasser mit etwas Geschirrspülmittel.
3. Spülen Sie ihn ab und wischen Sie ihn trocken.
4. Geben Sie ihn zurück und setzen Sie die vordere Abdeckung an.



Warnung:

Vergewissern Sie sich vor dem Einsetzen des Fettfilters, dass er vollständig trocken ist.



Bemerkung:

Der Fettfilter kann in der Spülmaschine gewaschen werden. Legen Sie ihn senkrecht in den oberen Korb, um die Waschleistung zu erhöhen. Die Wassertemperatur darf nicht 65 °C überschreiten.

Auswechseln des Kohlefilters



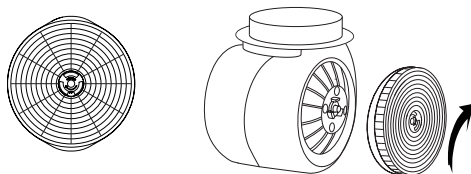
Bemerkung:

Führen Sie diesen Schritt aus, wenn Sie den Umluftbetrieb verwenden.

Der Kohlefilter absorbiert unangenehme Gerüche, die beim Kochen abgegeben werden. Zur Sättigung des Kohlefilters kommt es durch längerem Gebrauch, Kochintensität und regelmäßige Reinigung des Fettfilters.

Wir empfehlen, den Kohlefilter alle 3 Monate auszuwechseln.

1. Nehmen Sie die vordere Abdeckung ab und nehmen Sie vorsichtig den Fettfilter heraus.
2. Drehen Sie den Kohlefilter gegen den Uhrzeigersinn, um ihn zu lösen, und nehmen Sie ihn vorsichtig heraus.
3. Setzen Sie den neuen Filter auf eine Seite der Motoreinheit und drehen Sie den Filter im Uhrzeigersinn, um ihn zu befestigen. Vergewissern Sie sich, dass der Filter richtig eingesetzt ist. Ein falsch eingesetzter Filter kann abnormalen Lärm und Vibrationen verursachen, die sogar die Dunstabzugshaube beschädigen können.



4. Setzen Sie den Fettfilter und die Frontplatte auf.



Warnung:

Der Kohlefilter darf nicht gewaschen werden.

Auswechseln der Beleuchtung

1. Schalten Sie die Dunstabzugshaube aus und trennen Sie sie vom Stromnetz.
2. Lösen Sie die Schrauben an der Abdeckung der Beleuchtung und nehmen Sie die Abdeckung vorsichtig ab.
3. Schrauben Sie die Leuchtstofflampe ab.
4. Legen Sie eine neue Leuchtstofflampe desselben Typs ein.
5. Setzen Sie die Abdeckung wieder an und befestigen Sie sie mit Schrauben.



Warnung:

Die Leuchtstofflampe wird während des Betriebs heiß und kann auch nach dem Ausschalten noch heiß sein. Lassen Sie sie vor dem Auswechseln abkühlen (mindestens 10 Minuten).

Typ der Leuchtstofflampe: L10

Form: quadratisch

Nennspannung: 1,5 W

PROBLEMLÖSUNG

Problem	Ursache	Lösung
Die Beleuchtung leuchtet auf, aber die Dunstabzugshaube lässt sich nicht einschalten.	Das Gebläse ist blockiert.	Schalten Sie die Dunstabzugshaube aus und wenden Sie sich an eine autorisierte Kundendienststelle.
	Der Motor ist beschädigt.	
Weder Beleuchtung noch Dunstabzugshaube lassen sich einschalten.	Die Leuchtstofflampe ist zersprungen.	Tauschen Sie die Leuchtstofflampe aus.
	Der Stecker ist lose in der Steckdose gesteckt.	Überprüfen Sie den Stecker in der Steckdose.
Die Dunstabzugshaube gibt starke Vibrationen ab.	Das Gebläse ist blockiert.	Schalten Sie die Dunstabzugshaube aus und wenden Sie sich an eine autorisierte Kundendienststelle.
	Der Ventilatormotor ist nicht richtig angezogen.	
	Die Dunstabzugshaube ist nicht richtig installiert.	Nehmen Sie die Dunstabzugshaube vorsichtig ab und bringen Sie sie wieder an.
Die Dunstabzugshaube hat eine schwache Leistung.	Die Dunstabzugshaube ist zu hoch über dem Kochfeld angebracht.	Der empfohlene Abstand zwischen der Dunstabzugshaube und dem Kochfeld beträgt 65 bis 75 cm.

Wenn das Problem nicht in der obigen Tabelle angeführt ist oder das Problem nicht behoben werden konnte, schalten Sie das Gerät aus, ziehen Sie den Stecker des Netzkabels aus der Steckdose und wenden Sie sich an eine autorisierte Kundendienststelle.

ENTSORGUNG VON ALTBATTERIEN

Batterien enthalten umweltschädliche Stoffe. Entsorgen Sie die Batterien daher nicht über den gewöhnlichen Hausmüll. Geben Sie Altbatterien zur ordnungsgemäßen Entsorgung an einer zuständigen Sammelstelle ab.



Děkujeme, že jste si koupili spotřebič značky SIGURO. Jsme vděční za vaši důvěru a je nám radostí vám přístroj na dalších stránkách představit a seznámit vás se všemi jeho funkcemi a způsoby použití.

Věříme ve spravedlivou a odpovědnou společnost, a proto spolupracujeme pouze s dodavateli, kteří splňují naše přísná kritéria na ochranu zájmu zaměstnanců, prevenci jejich zneužívání a férové pracovní podmínky.

Pokud potřebujete pomoci s rozsáhlou údržbou nebo opravou výrobku, která vyžaduje zásah do jeho vnitřních částí, je vám k dispozici náš autorizovaný servis na e-mailové adrese siguro@alza.cz nebo operátoři na infolinie prodaje. Pro vaše pohodlí při řešení jakýchkoliv problémů s výrobkem jsme tato kontaktní místa sjednotili a výše uvedené kontakty lze využít i v případě veškerých reklamací nebo pozáručního servisu.

BEZPEČNOSTNÍ INFORMACE



Před použitím si prosím pozorně přečtete tento manuál a uschovejte ho pro budoucí použití.

1. Tento spotřebič mohou používat děti ve věku 8 let a starší a osoby se sníženými fyzickými, smyslovými nebo mentálními schopnostmi nebo nedostatkem zkušeností a znalostí, pokud jsou pod dozorem nebo byly poučeny o používání spotřebiče bezpečným způsobem a rozumí případným nebezpečím.
2. Děti si se spotřebičem nesmějí hrát.
3. Čištění a údržbu prováděnou uživatelem nesmějí provádět děti bez dozoru.
4. Jestliže je napájecí přívod poškozen, musí být nahrazen výrobcem, jeho servisním technikem nebo podobně kvalifikovanou osobou, aby se zabránilo vzniku nebezpečné situace.
5. Zajistěte dostatečné větrání místnosti, je-li odsavač par používán ve stejnou dobu jako spotřebiče spalující plyn nebo jiná paliva, s výjimkou spotřebičů, které pouze vypouštějí vzduch zpátky do místnosti.
6. Způsob a četnost čištění provádějte podle pokynů v kapitole „Čištění a údržba“. Dodržujte veškeré pokyny v tomto návodu.
7. **VÝSTRAHA:** Existuje zde riziko požáru, pokud není čištění prováděno podle návodu.
8. Pod odsavačem par je zakázáno flambovat nebo používat otevřený oheň.
9. **UPOZORNĚNÍ:** Při používání varných spotřebičů se přístupné části mohou zahřívat. Dbejte zvýšené opatrnosti. Hrozí riziko vážného popálení a poranění v případě nesprávného používání.
10. Odsávaný vzduch se nesmí odvádět do komína použitého pro odvod zplodin ze spotřebičů spalujících plyn nebo jiná paliva, s výjimkou

spotřebičů, které pouze vypouštějí vzduch zpátky do místnosti.

11. Minimální vzdálenost mezi povrchem varné desky a nejnižší částí odsavače par je 65 cm.
12. Dodržujte předpisy týkající se vypouštění odsávaného vzduchu.
13. Tento odsavač par je určen pouze k instalaci nad varnou desku s maximálně čtyřmi varnými zónami.
14. Při montáži dodržujte pokyny v tomto návodu.
15. K připevnění odsavače par použijte dodávanou montážní sadu nebo takovou sadu, kterou výrobce doporučuje.
16. **VÝSTRAHA:** Chybná montáž šroubů nebo připevněných zařízení uvedených v návodu může mít za následek vznik elektrického nebezpečí.
17. Odsavač par je určen k odsávání par a výparů při vaření v domácnosti. Nepoužívejte jej v komerčním prostředí. Nepoužívejte jej k jiným účelům, než ke kterým je určen.
18. Před zapojením vidlice napájecího přívodu do síťové zásuvky se ujistěte, že napětí na typovém štítku odpovídá napětí ve vaší zásuvce.
19. Připojte tento odsavač par pouze k řádně uzemněné zásuvce. Nepoužívejte prodlužovací kabely, přenosné prodlužovací zásuvky, adaptéry či jiná podobná zařízení.
20. Odsavač vypněte a vidlici napájecího přívodu odpojte vždy, když jej budete čistit, vyměňovat osvětlení, montovat nebo demontovat.
21. Při výměně osvětlení používejte vždy stejný typ zářivky, který výrobce specifikuje.
22. Tento odsavač par není možné použít jako nosnou plochu.
23. Pokud je odsavač par poškozen, obraťte se na autorizovaný servis, kde provedou jeho opravu. V žádném případě jej neopravujte sami. Hrozí riziko úrazu elektrickým proudem.

Specifikace osvětlení

Typ zářivky:	L10
Tvar:	čtvercový
Jmenovitý výkon:	1,5 W



Přehled

- 1 Výstupní otvor
- 2 Vnější plášť
- 3 Ovládací panel
- 4 Osvětlení (umístěno po obou stranách)
- 5 Přední panel
- 6 Dálkové ovládání

Bez vyobrazení

- Motorová jednotka
- Tukový filtr
- Uhlíkový filtr (1 ks)
- Zpětná komínová klapka

Ovládací panel

 Tlačítko zapnutí/vypnutí s displejem

 Tlačítko časovače

 Tlačítko snížení výkonu

 Tlačítko zvýšení výkonu

 Tlačítko zapnutí/vypnutí osvětlení

 Senzor dálkového ovládání

Dálkové ovládání

 Tlačítko zvýšení výkonu/nastavení časovače

 Tlačítko snížení výkonu/nastavení časovače

 Tlačítko časovače

 Tlačítko zapnutí/vypnutí osvětlení

TECHNICKÉ PARAMETRY

Napájení	220–240 V~, 50/60 Hz
Příkon	124 W
Rozměry	520 × 295 × 320 mm
Hmotnost	8,1 kg
Typ motoru	S1, 550m ³ /h, 120 W
Průměr odsávacího potrubí	150 mm

INSTALACE



VÝSTRAHA:

Chybná montáž šroubů nebo připevněných zařízení uvedených v návodu může mít za následek vznik elektrického nebezpečí.



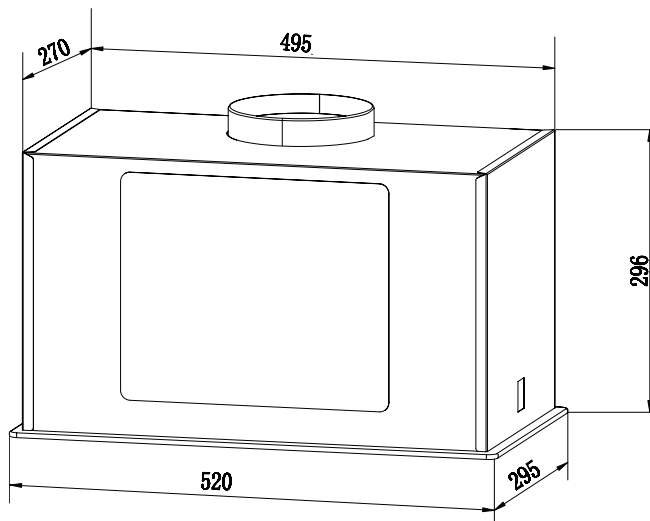
Varování:

Před instalací se ujistěte, že je odsavač par vypnutý a odpojený od zdroje napájení.

Dodávaná montážní sada:

2× fixační podložka
4× upevňovací šroub

Rozkres



Pokyny k instalaci

Minimální vzdálenost mezi povrchem varné desky a nejnižší částí odsavače par je 65 cm. Odsavač par je navržen jak pro odtah do komína, tak pro recirkulaci vzduchu. Doporučujeme, aby instalaci prováděly dvě dospělé osoby.

1. Odtah do komína

Výpary jsou odváděny ven z budovy pomocí odsávacího potrubí, které je připojeno ke zpětné klapce v horní části odsavače. Průměr odsávacího potrubí se musí shodovat s průměrem zpětné klapky. Odsávací potrubí není součástí balení.

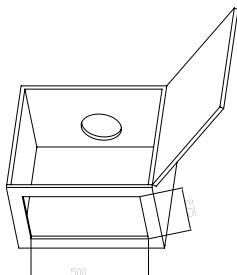
Pokud byl odsavač par používán s uhlíkovým filtrem, je třeba jej vyjmout, pokud má být nově používán s odtahem do komína.

2. Recirkulace

Při recirkulaci dochází ke zpětnému vypouštění vzduchu do místnosti. Nasávaný vzduch je zbaven tuku a zápachu, a poté je vypouštěn zpět do místnosti.

Před použitím odsavače par tímto způsobem je třeba instalovat uhlíkový filtr.

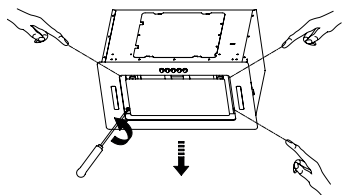
Postup instalace



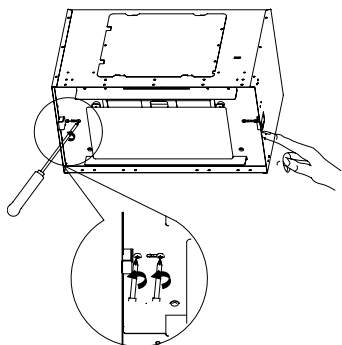
1. Do skříňky, do které budete instalovat odsavač par, vyřízněte otvor v odpovídající velikosti.

Poznámka:

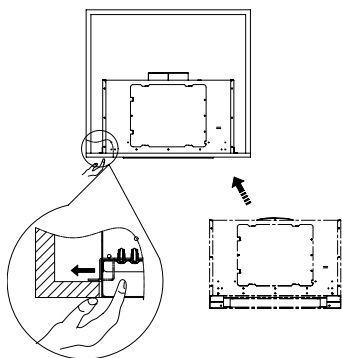
Hloubka skříňky nesmí být menší než 26 cm. Je třeba ponechat volný prostor 5 cm vpředu a vzadu.



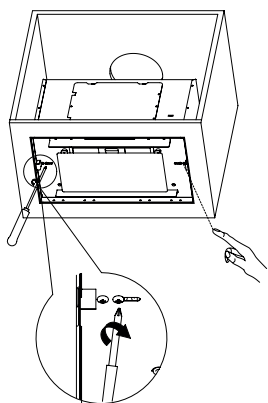
2. Uvolněte čtyři šrouby předního panelu, sejměte ozdobný rámeček a přední panel mírně vyklopte, abyste mohli rozpojit kabely. Po rozpojení uložte přední panel a ozdobný rámeček stranou.



3. Uvolněte šrouby obou fixačních podložek, které jsou umístěny po stranách odsavače.

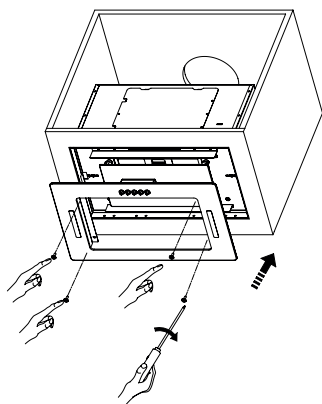


4. Vložte odsavač par do otvoru ve skříňce.
5. Opatrně vytlačujte fixační podložky směrem ven, aby došlo k jejich vysunutí z odsavače. Je důležité, aby byl odsavač v tomto případě vložen hlouběji ve skříňce, aby se podložky snadno vysunuly.
6. Jakmile jsou podložky zcela vysunuty, opatrně položte odsavač par, až vysunutá část podložek dosednou na skříňku uvnitř.

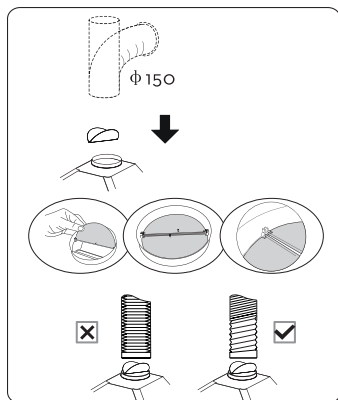


7. Zajistěte fixační podložky pomocí šroubů a ujistěte se, že jsou pevně dotaženy.

Poznámka: V závislosti na typu skříňky bude třeba vyvrtat spáru o rozměru 24 × 11 mm, aby podložky snadněji zapadly do skříňky. Takové spáry je třeba vyvrtat před vložením odsavače par do skříňky. Fixační podložky mají nastavitelný rozsah 6 až 28 mm, a to v závislosti na tloušťce vrstvy dřeva.



8. Připevněte ozdobný rámeček k tělu odsavače pomocí čtyř šroubů. Ujistěte se, že jsou řádně dotaženy.
9. Přiložte přední panel k tělu odsavače a zapojte zpět vedení.
10. Nejdříve vložte zadní část panelu do těla odsavače a poté přední část panelu. Zajistěte pomocí šroubů. Ujistěte se, že jsou pevně dotaženy.



11. Na výstupní otvor v horní části odsavače nasadte zpětnou klapku.
12. Konec odsávacího potrubí připevněte ke zpětné klapce v horní části odsavače.
13. **Odtah do komína:** Druhý konec odsávacího potrubí připevněte k přírubě ve zdi. Ta musí mít průměr odpovídající odsávacímu potrubí. Menší průměr může způsobit nižší výkon odsávání a vyšší hlučnost při používání odsavače. Odsávací potrubí nadměrně neohýbejte. Maximální úhel ohnutí je 90°. K zajištění efektivního výkonu při odsávání doporučujeme ohnout odsávací potrubí pouze jednou.
14. **Recirkulace:** Vyříznete v horní části skříňky otvor o stejném průměru, jako je odsávací potrubí. Do otvoru vložte ochrannou mřížku určenou speciálně ke zpětnému vypouštění vzduchu do místnosti. Druhý konec odsávacího potrubí připevněte zesponu k ochranné mřížce.

Elektrické zapojení

Před zapojením odsavače par do síťové zásuvky se ujistěte, že napětí uvedené na jeho typovém štítku se shoduje s napětím ve vaší síťové zásuvce. Pokud máte pochybnosti, obraťte se na svého dodavatele elektřiny.

Pokud je zásuvka nutné upravit, vždy se obraťte na kvalifikovaného elektrikáře. Elektrické vedení musí být provedeno v souladu s platnými předpisy a nařízeními platnými v zemi instalace.

Odsavač par je vybaven elektrickou zástrčkou s vidlicí, kterou po instalaci zapojte do řádně uzemněné elektrické zásuvky.

Doporučujeme, aby elektrická zásuvka, ke které bude odsavač par připojen, byla umístěna v samostatném okruhu s vlastním jističem.

POUŽITÍ

Před prvním použitím

Otřete vnější povrch spotřebiče měkkou houbičkou, mírně navlženou v teplé vodě.

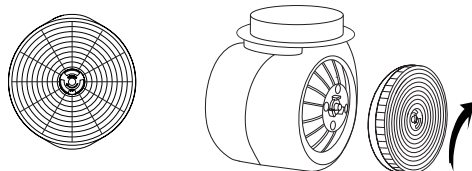
Vložení uhlíkového filtru



Poznámka:

Tento krok provádějte, pokud používáte způsob recirkulace.

1. Odstraňte přední panel a opatrně vyjměte tukový filtr.
2. Nový filtr nasadte na jednu stranu motorové jednotky a otočte filtrem po směru hodinových ručiček, abyste jej zajistili.
3. Nasadte tukový filtr a přední panel.



Zapnutí/vypnutí

Po připojení odsavače par k elektrické zásuvce se všechna tlačítka a světelné kontrolky krátce rozsvítí a poté zhasnou. Tlačítko zapnutí/vypnutí a displej se rozsvítí bíle.

Stiskněte dlouze tlačítko zapnutí/vypnutí, abyste odsavač par zapnuli. Všechny světelné kontrolky se krátce rozsvítí a na displeji se zobrazí „0“. Odsavač par se přepne do pohotovostního režimu.

Pokud nebudete odsavač používat, stiskněte tlačítko zapnutí/vypnutí a odsavač se vypne.



Poznámka:

V pohotovostním režimu se odsavač par automaticky vypne po 2 minutách nečinnosti.

Nastavení výkonu

Zatímco je odsavač zapnutý, nastavte jeho výkon tlačítky / na ovládacím panelu odsavače nebo tlačítky +/- na dálkovém ovládacím panelu.

Výkon můžete nastavit od 1 do 3, kde 1 představuje nejnižší výkon a 3 nejvyšší výkon.

Pokud se na displeji zobrazí „0“, odsavač par se zastaví a přepne se do pohotovostního režimu.

Časovač

1. Když je odsavač zapnutý, stiskněte tlačítko 3 sekundy.
2. Displej se rozbliká a je možné nastavit dobu automatického vypnutí od 1 do 9 minut tlačítky / na ovládacím panelu odsavače nebo tlačítky +/- na dálkovém ovládacím panelu.
3. Stiskněte znovu tlačítko pro uložení nastavení. Pokud neprovedete žádnou akci do 10 sekund, nastavení se automaticky uloží.
4. Když je motor odsavače zapnutý a je nastavený časovač, je možné jej upravit, jak je popsáno výše (kroky 1 až 3). Na displeji se zobrazuje odpočítávání nastavené doby časovače.
5. Pokud chcete nastavit časovač, zatímco je odsavač vypnutý, postupujte podle pokynů výše (kroky 1 až 3). Nicméně odpočítávání se spustí, až když odsavač zapnete.

Zapnutí/vypnutí osvětlení

Stiskněte krátce tlačítko na ovládacím panelu nebo tlačítko na dálkovém ovládacím panelu a osvětlení se zapne. Opětovným stisknutím tlačítka osvětlení zhasnete.

Dálkové ovládání

Z výroby je dálkové ovládání dodáno s vloženou baterií. Abyste mohli používat dálkové ovládání, vyjměte ochrannou fólii z prostoru pro baterii. Ta chrání baterii před vybitím a poškozením během transportu.

Pokud chcete použít dálkové ovládání, nasměrujte jej na senzor na ovládacím panelu. Maximální dosah signálu vyslaného z dálkového ovládání je 6 m. Pokud jsou mezi dál-

kovým ovládním a spotřebičem umístěny překážky, nemusí dojít k přenosu signálu. Pokud je vložená baterie vyčerpána, je třeba ji vyměnit za stejný typ. Postupujte následovně:

1. Ze spodní části dálkového ovládní vyasuňte kryt s přihrádkou pro baterii.
2. Vyjměte vyčerpávanou baterii a vložte do ní novou 3V baterii typu CR2032. Při vkládání baterie dbejte na správnou polaritu.
3. Kryt s přihrádkou vložte zpět do dálkového ovládní.


Pokud nebudete dálkové ovládní delší dobu používat, doporučujeme z něj baterii vyjmout. Pokud by baterie vytekla do vnitřního prostoru dálkového ovládní, mohlo by dojít k jeho poškození.



Varování:

Baterie nikdy nevkládejte do ohně, nezkratujte ani nikterak nepoškozujte. Po skončení jejich životnosti je ekologicky zlikvidujte. Nikdy nevyhazujte baterie do komunálního odpadu.

Spárování dálkového ovládní s odsavačem par

1. Zatímco je odsavač vypnutý, stiskněte tlačítko  2 sekundy, kontrolka se rozblíká a zazní zvukové upozornění.
2. Stiskněte libovolné tlačítko na dálkovém ovládní a zazní zvukové upozornění. Kontrolka zhasne a spárování bylo úspěšně provedeno.
3. Pokud do 3 sekund nestisknete žádné tlačítko na dálkovém ovládní, kontrolka zhasne a odsavač se vypne.



Poznámka:

Spárování je třeba provést pouze jednou před prvním použitím, příp. pokud byla vymazána interní paměť odsavače par.

ČIŠTĚNÍ A ÚDRŽBA

Před čištěním nebo jakoukoli údržbou vždy spotřebič vypněte, odpojte zástrčku napájecího přívodu od síťové zásuvky.



Varování:

Nikdy neponožte spotřebič, napájecí přívod ani vidlici do vody či jiné tekutiny.

K čištění žádných částí spotřebiče nepoužívejte umělohmotné nebo kovové drátěnky, hrubé čisticí prostředky, chemikálie, benzín, rozpouštědla ani jiné podobné látky. Mohlo by dojít k vážnému narušení povrchové úpravy.

Běžné čištění

Používejte měkkou houbičku, mírně navlhčenou ve vlažné vodě s trochou čisticího prostředku. Otřete suchou utěrkou.

Tukový filtr

Tukový filtr je třeba čistit alespoň jednou za měsíc. Tukový filtr zachycuje tuk, kouř a prach. Má přímý vliv na výkon odsavače.

**Varování:**

Hrozí riziko vzniku požáru, pokud nebude tukový filtr pravidelně čištěn.

1. Odstraňte přední panel a opatrně vyjměte tukový filtr.
2. Omyjte tukový filtr v teplé vodě s trochou kuchyňského prostředku na mytí nádobí.
3. Opláchněte a otřete dosucha.
4. Instalujte na své místo a nasadte přední kryt.

**Varování:**

Před instalací tukového filtru se ujistěte, že je zcela suchý.

**Poznámka:**

Tukový filtr je možné mýt v myčce. Vložte jej vertikálně do horního koše, abyste zvýšili účinnost při mytí. Teplota vody však nesmí přesáhnout 65 °C.

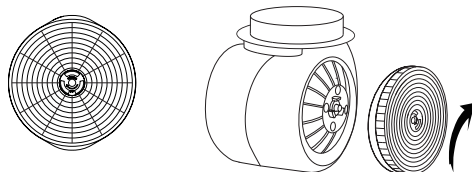
Výměna uhlíkového filtru

**Poznámka:**

Tento krok provádějte, pokud používáte způsob recirkulace.

Uhlíkový filtr pohlcuje nepříjemné zápachy z vaření. K jeho nasycení dochází dlouhodobým používáním, intenzitou vaření i pravidelným čištěním tukového filtru. Doporučujeme měnit uhlíkový filtr každé 3 měsíce.

1. Odstraňte přední panel a opatrně vyjměte tukový filtr.
2. Otočte uhlíkovým filtrem proti směru hodinových ručiček, abyste jej uvolnili, a opatrně jej vyjměte.
3. Nový filtr nasadte na jednu stranu motorové jednotky a otočte filtrem po směru hodinových ručiček, abyste jej zajistili. Ujistěte se, že je filtr správně nasazen. Jeho špatné nasazení může způsobit abnormální hluk a vibrace, které mohou vést až k poškození odsavače.



4. Nasadte tukový filtr a přední panel.

**Varování:**

Uhlíkový filtr se nesmí mýt.

Výměna osvětlení

1. Odsavač vypněte a odpojte od elektrické zásuvky.
2. Uvolněte šrouby krytu osvětlení a opatrně kryt odstraňte.

3. Odšroubujte zářivku.
4. Vložte novou zářivku stejného typu.
5. Nasaďte kryt a připevněte pomocí šroubů.

**Varování:**

Zářivka se během používání zahřívá a může být horká i po jejím vypnutí. Před výměnou ji nechte vychladnout (alespoň 10 minut).

Typ zářivky: L10
 Tvar: čtvercový
 Jmenovitý výkon: 1,5 W

ŘEŠENÍ PROBLÉMŮ

Problém	Příčina	Řešení
Osvětlení se rozsvítí, ale odsavač se nespustí.	Větrák je blokováný.	Vypněte odsavač a obraťte se na autorizovaný servis.
	Motor je poškozený.	
Osvětlení ani odsavač se nezapnou.	Zářivka je prasklá.	Vyměňte zářivku.
	Vidlice je uvolněna ze síťové zásuvky.	Zkontrolujte zapojení vidlice v zásuvce.
Odsavač vydává silné vibrace.	Větrák je blokováný.	Vypněte odsavač a obraťte se na autorizovaný servis.
	Motor větráku není správně dotažený.	
	Odsavač není správně instalován.	Opatrně vyjměte odsavač a znovu jej instalujte.
Slabý výkon odsavače.	Odsavač je umístěn příliš vysoko nad varnou deskou.	Doporučená vzdálenost mezi odsavačem a varnou deskou je 65 až 75 cm.

Pokud problém není uveden v tabulce výše nebo se problém nepodařilo vyřešit, vypněte spotřebič, odpojte zástrčku přívodního kabelu od síťové zásuvky a obraťte se na autorizované servisní středisko.

LIKVIDACE POUŽITÝCH BATERÍ

Baterie obsahují látky škodlivé životnímu prostředí. Nevhazujte baterie proto do běžného komunálního odpadu. Použité baterie odevzdejte k řádné likvidaci na místech určených k jejich zpětnému odběru.



Ďakujeme, že ste si kúpili spotrebič značky SIGURO. Sme vďační za vašu dôveru a je nám radostou predstaviť vám prístroj na ďalších stránkach a oboznámiť vás so všetkými jeho funkciami a spôsobmi použitia.

Veríme v spravodlivú a zodpovednú spoločnosť, a preto spolupracujeme iba s dodávateľmi, ktorí spĺňajú naše prísne kritériá na ochranu záujmu zamestnancov, prevenciu ich zneužívania a férové pracovné podmienky.

Ak potrebujete pomôcť s rozsiahlou údržbou alebo opravou výrobku, ktorá vyžaduje zásah do jeho vnútorných častí, je vám k dispozícii náš autorizovaný servis na e-mailovej adrese siguro@alza.cz alebo operátori na infolinke predajcu. Pre vaše pohodlie pri riešení akýchkoľvek problémov s výrobkom sme tieto kontaktné miesta zjednotili a vyššie uvedené kontakty je možné využiť aj v prípade všetkých reklamácií alebo pozáručného servisu.

BEZPEČNOSTNÉ INFORMÁCIE



Pred použitím si, prosím, pozorne prečítajte tento manuál a uschovajte ho na budúce použitie.

1. Tento spotrebič môžu používať deti vo veku 8 rokov a staršie a osoby so zníženými fyzickými, zmyslovými alebo mentálnymi schopnosťami alebo nedostatkom skúseností a znalostí, ak sú pod dozorom alebo boli poučené o používaní spotrebiča bezpečným spôsobom a rozumejú prípadným nebezpečenstvám.
2. Deti sa so spotrebičom nesmú hrať.
3. Čistenie a údržbu vykonávanú používateľom nesmú vykonávať deti bez dozoru.
4. Ak je napájací prívod poškodený, musí ho nahradiť výrobca, jeho servisný technik alebo podobne kvalifikovaná osoba, aby sa zabránilo vzniku nebezpečnej situácie.
5. Zaistite dostatočné vetranie miestnosti, ak sa odsávač pár používa v rovnakom čase ako spotrebiče spaľujúce plyn alebo iné palivá, s výnimkou spotrebičov, ktoré iba vypúšťajú vzduch späť do miestnosti.
6. Spôsob a častosť čistenia robte podľa pokynov v kapitole „Čistenie a údržba“. Dodržujte všetky pokyny v tomto návode.
7. **VÝSTRAHA:** Existuje tu riziko požiaru, ak sa čistenie nevykonáva podľa návodu.
8. Pod odsávačom pár je zakázané flambovať alebo používať otvorený oheň.
9. **UPOZORNENIE:** Pri používaní varných spotrebičov sa prístupné časti môžu zahrievať. Dbajte na zvýšenú opatrnosť. Hrozí riziko vážneho popálenia a poranenia v prípade nesprávneho použitia.
10. Odsávaný vzduch sa nesmie odvádzať do komína použitého na odvod sploďín zo spotrebičov spaľujúcich plyn alebo iné palivá, s výnimkou

- spotrebičov, ktoré iba vypúšťajú vzduch späť do miestnosti.
11. Minimálna vzdialenosť medzi povrchom varnej dosky a najnižšou časťou odsávača pár je 65 cm.
 12. Dodržujte predpisy týkajúce sa vypúšťania odsávaného vzduchu.
 13. Tento odsávač pár je určený iba na inštaláciu nad varnú dosku s maximálne štyrmi varnými zónami.
 14. Pri montáži dodržujte pokyny v tomto návode.
 15. Na pripevnenie odsávača pár používajte dodávanú montážnu súpravu alebo takú súpravu, ktorú výrobca odporúča.
 16. **VÝSTRAHA:** Chybná montáž skrutiek alebo pripevnených zariadení uvedených v návode môže mať za následok vznik elektrického nebezpečenstva.
 17. Odsávač pár je určený na odsávanie pár a výparov pri varení v domácnosti. Nepoužívajte ho v komerčnom prostredí. Nepoužívajte ho na iné účely, než na ktoré je určený.
 18. Pred zapojením vidlice napájacieho prívodu do sieťovej zásuvky sa uistite, že napätie na typovom štítku zodpovedá napätiu vo vašej zásuvke.
 19. Pripájajte tento odsávač pár iba k riadne uzemnenej zásuvke. Nepoužívajte predlžovacie káble, prenosné predlžovacie zásuvky, adaptéry alebo iné podobné zariadenia.
 20. Odsávač vypnite a vidlicu napájacieho prívodu odpojte vždy, keď ho budete čistiť, vymieňať osvetlenie, montovať alebo demontovať.
 21. Pri výmene osvetlenia používajte vždy rovnaký typ žiarivky, ktorý výrobca špecifikuje.
 22. Tento odsávač pár nie je možné použiť ako nosnú plochu.
 23. Ak je odsávač pár poškodený, obráťte sa na autorizovaný servis, kde vykonajú jeho opravu. V žiadnom prípade ho neopravujte sami. Hrozí riziko úrazu elektrickým prúdom.

Špecifikácie osvetlenia

Typ žiarivky:	L10
Tvar:	štvorcový
Menovitý výkon:	1,5 W



Prehľad

- 1 Výstupný otvor
- 2 Vonkajší plášť
- 3 Ovládací panel
- 4 Osvetlenie (umiestnené po oboch stranách)
- 5 Predný panel
- 6 Diaľkový ovládač

Bez vyobrazenia

- Motorová jednotka
- Tukový filter
- Uhlíkový filter (1 ks)
- Spätná komínová klapka

Ovládací panel

 Tlačidlo zapnutia/vypnutia s displejom

 Tlačidlo časovača

 Tlačidlo zníženia výkonu

 Tlačidlo zvýšenia výkonu

 Tlačidlo zapnutia/vypnutia osvetlenia

 Senzor diaľkového ovládania

Diaľkový ovládač

 Tlačidlo zvýšenia výkonu/nastavenia časovača

 Tlačidlo zníženia výkonu/nastavenia časovača

 Tlačidlo časovača

 Tlačidlo zapnutia/vypnutia osvetlenia

TECHNICKÉ PARAMETRE

Napájanie	220 – 240 V~, 50/60 Hz
Príkon	124 W
Rozmery	520 × 295 × 320 mm
Hmotnosť	8,1 kg
Typ motora	S1, 550m ³ /h, 120 W
Priemer odsávacieho potrubia	150 mm

INŠTALÁCIA



VÝSTRAHA:

Chybná montáž skrutiek alebo pripevnených zariadení uvedených v návode môže mať za následok vznik elektrického nebezpečenstva.



Varovanie:

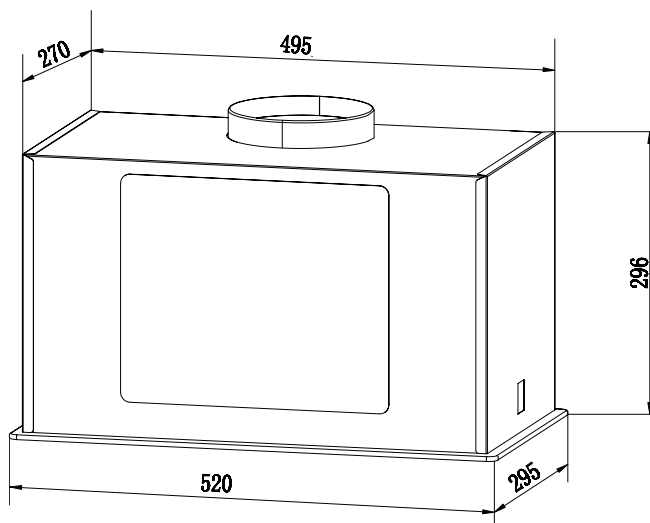
Pred inštaláciou sa uistite, že je odsávač pár vypnutý a odpojený od zdroja napájania.

Dodávaná montážna súprava:

2× fixačná podložka

4× upevňovacia skrutka

Rozkres



Pokyny na inštaláciu

Minimálna vzdialenosť medzi povrchom varnej dosky a najnižšou časťou odsávača pár je 65 cm. Odsávač pár je navrhnutý tak na odťah do komína, ako aj na recirkuláciu vzduchu.

Odporúčame, aby inštaláciu vykonávali dve dospelé osoby.

1. Odťah do komína

Výpary sa odvádzajú von z budovy pomocou odsávacieho potrubia, ktoré je pripojené k spätnnej klapke v hornej časti odsávača. Priemer odsávacieho potrubia sa musí zhodovať s priemerom spätnnej klapky. Odsávacie potrubie nie je súčasťou balenia.

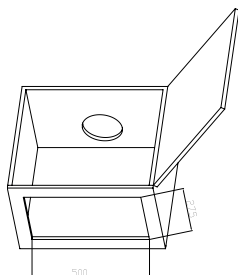
Ak sa odsávač pár používal s uhlíkovým filtrom, je potrebné ho vybrať, ak sa má po novom používať s odťahom do komína.

2. Recirkulácia

Pri recirkulácii dochádza k spätnému vypúšťaniu vzduchu do miestnosti. Nasávaný vzduch je zbavený tuku a zápachu, a potom sa vypúšťa späť do miestnosti.

Pred použitím odsávača pár týmto spôsobom je potrebné inštalovať uhlíkový filter.

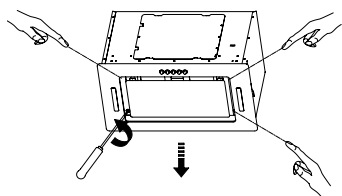
Postup inštalácie



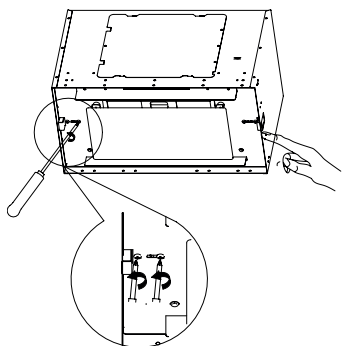
1. Do skrinky, do ktorej budete inštalovať odsávač pár, vyrežte otvor v zodpovedajúcej veľkosti.

Poznámka:

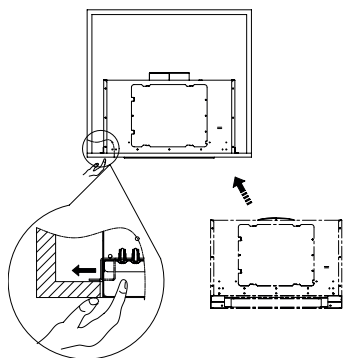
Hĺbka skrinky nesmie byť menšia než 26 cm. Je potrebné ponechať voľný priestor 5 cm vpredu a vzadu.



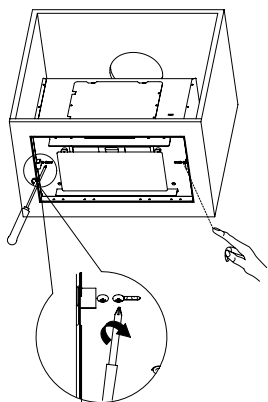
2. Uvoľnite štyri skrutky predného panelu, odoberte ozdobný rámček a predný panel mierne vyklopte, aby ste mohli rozpojiť káble. Po rozpojení uložte predný panel a ozdobný rámček nabok.



3. Uvoľnite skrutky oboch fixačných podložiek, ktoré sú umiestnené po stranách odsávača.

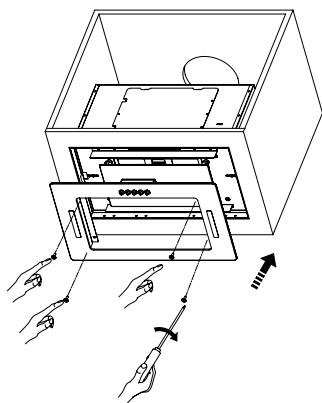


4. Vložte odsávač pár do otvoru v skrinke.
5. Opatrne vytlačajte fixačné podložky smerom von, aby došlo k ich vysunutiu z odsávača. Je dôležité, aby bol odsávač v tomto prípade vložený hlbšie v skrinke, aby sa podložky ľahko vysunuli.
6. Hneď ako sú podložky celkom vysunuté, opatrne položte odsávač pár, až vysunuté časti podložiek dosadnú na skrinku vnútri.

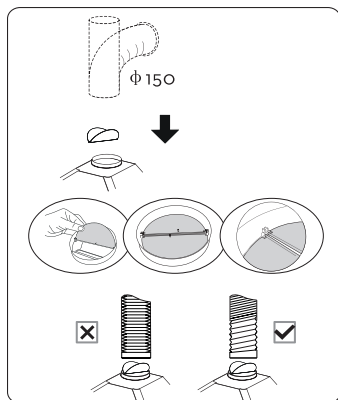


7. Zaistite fixačné podložky pomocou skrutiek a uistite sa, že sú pevne dotiahnuté.

Poznámka: V závislosti od typu skrinky bude potrebné vyvŕtať škáru s rozmerom 24 × 11 mm, aby podložky jednoduchšie zapadli do skrinky. Takéto škáry je potrebné vyvŕtať pred vložením odsávača pár do skrinky. Fixačné podložky majú nastaviteľný rozsah 6 až 28 mm, a to v závislosti od hrúbky vrstvy dreva.



8. Pripevnite ozdobný rámček k telu odsávača pomocou štyroch skrutiek. Uistite sa, že sú riadne dotiahnuté.
9. Priložte predný panel k telu odsávača a zapojte späť vedenie.
10. Najskôr vložte zadnú časť panelu do tela odsávača a potom prednú časť panelu. Zaistite pomocou skrutiek. Uistite sa, že sú pevne dotiahnuté.



11. Na výstupný otvor v hornej časti odsávača nasadte spätnú klapku.
12. Koniec odsávacieho potrubia pripevnite k spätnej klapke v hornej časti odsávača.
13. **Odťah do komína:** Druhý koniec odsávacieho potrubia pripevnite k prírubu v stene. Tá musí mať priemer zodpovedajúci odsávaciemu potrubiu. Menší priemer môže spôsobiť nižší výkon odsávania a vyššiu hlučnosť pri používaní odsávača. Odsávacie potrubie nadmerne neohýbajte. Maximálny uhol ohnutia je 90°. Na zaistenie efektívneho výkonu pri odsávaní odporúčame ohnúť odsávacie potrubie iba raz.
14. **Recirkulácia:** Vyrežte v hornej časti skrinky otvor s rovnakým priemerom, ako je odsávacie potrubie. Do otvoru vložte ochrannú mriežku určenú špeciálne na spätné vypúšťanie vzduchu do miestnosti. Druhý koniec odsávacieho potrubia pripevnite zospodu k ochranej mriežke.

Elektrické zapojenie

Pred zapojením odsávača pár do sieťovej zásuvky sa uistite, že napätie uvedené na jeho typovom štítku sa zhoduje s napätím vo vašej sieťovej zásuvke. Ak máte pochybnosti, obráťte sa na svojho dodávateľa elektriny.

Ak je zásuvku nutné upraviť, vždy sa obráťte na kvalifikovaného elektrikára. Elektrické vedenie sa musí inštalovať v súlade s platnými predpismi a nariadeniami platnými v krajine inštalácie.

Odsávač pár je vybavený elektrickou zástrčkou s vidlicou, ktorú po inštalácii zapojte do riadne uzemnenej elektrickej zásuvky.

Odporúčame, aby elektrická zásuvka, ku ktorej bude odsávač pár pripojený, bola umiestnená v samostatnom okruhu s vlastným ističom.

POUŽITIE

Pred prvým použitím

Utrite vonkajší povrch spotrebiča mäkkou hubkou, mierne navlhčenou v teplej vode.

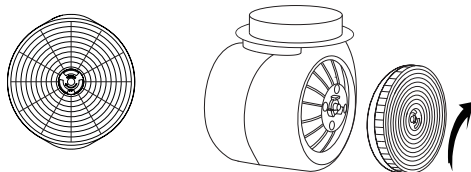
Vloženie uhlíkového filtra



Poznámka:

Tento krok robte, ak používate spôsob recirkulácie.

1. Odstráňte predný panel a opatrne vyberte tukový filter.
2. Nový filter nasadte na jednu stranu motorovej jednotky a otočte filtrom v smere hodinových ručičiek, aby ste ho zaistili.
3. Nasadte tukový filter a predný panel.



Zapnutie/vypnutie

Po pripojení odsávača pár k elektrickej zásuvke sa všetky tlačidlá a svetelné kontrolky krátko rozsvietia a potom zhasnú. Tlačidlo zapnutia/vypnutia a displej sa rozsvietia na bielo.

Stlačte dlho tlačidlo zapnutia/vypnutia, aby ste odsávač pár zapli. Všetky svetelné kontrolky sa krátko rozsvietia a na displeji sa zobrazí „0“. Odsávač pár sa prepne do pohotovostného režimu.

Ak nebudete odsávač používať, stlačte tlačidlo zapnutia/vypnutia a odsávač sa vypne.



Poznámka:





V pohotovostnom režime sa odsávač pár automaticky vypne po 2 minútach nečinnosti.

Nastavenie výkonu

Zatiaľ čo je odsávač zapnutý, nastavte jeho výkon tlačidlami   na ovládacom paneli odsávača alebo tlačidlami +/- na diaľkovom ovládači.

Výkon môžete nastaviť od 1 do 3, kde 1 predstavuje najnižší výkon a 3 najvyšší výkon. Ak sa na displeji zobrazí „0“, odsávač pár sa zastaví a prepne sa do pohotovostného režimu.

Časovač

1. Keď je odsávač zapnutý, stlačte tlačidlo  na 3 sekundy.
2. Displej sa rozblíka a je možné nastaviť čas automatického vypnutia od 1 do 9 minút tlačidlami   na ovládacom paneli odsávača alebo tlačidlami +/- na diaľkovom ovládači.
3. Stlačte znovu tlačidlo  na uloženie nastavenia. Ak nevykonáte žiadnu akciu do 10 sekúnd, nastavenie sa automaticky uloží.
4. Keď je motor odsávača zapnutý a je nastavený časovač, je možné ho upraviť, ako je opísané vyššie (kroky 1 až 3). Na displeji sa zobrazuje odpočítavanie nastaveného času časovača.
5. Ak chcete nastaviť časovač, zatiaľ čo je odsávač vypnutý, postupujte podľa pokynov vyššie (kroky 1 až 3). Odpočítavanie sa však spustí, až keď odsávač zapnete.

Zapnutie/vypnutie osvetlenia

Stlačte krátko tlačidlo  na ovládacom paneli alebo tlačidlo  na diaľkovom ovládači a osvetlenie sa zapne. Opätovným stlačením tlačidla osvetlenie zhasnete.

Diaľkový ovládač

Z výroby je diaľkový ovládač dodaný s vloženou batériou. Aby ste mohli používať diaľkový ovládač, vyberte ochrannú fóliu z priestoru na batériu. Tá chráni batériu pred vybitím a poškodením počas transportu.

Ak chcete použiť diaľkový ovládač, nasmerujte ho na senzor na ovládacom paneli. Maximálny dosah signálu vyslaného z diaľkového ovládača je 6 m. Ak sú medzi diaľkovým ovládačom a spotrebičom umiestnené prekážky, nemusí dôjsť k prenosu signálu.

Ak je vložená batéria vyčerpaná, je potrebné ju vymeniť za rovnaký typ. Postupujte nasledovne:

1. Zo spodnej časti diaľkového ovládača vysuňte kryt s priehradkou na batériu.
2. Vyberte vyčerpanú batériu a vložte do nej novú 3 V batériu typu CR2032. Pri vkladaní batérie dbajte na správnu polaritu.
3. Kryt s priehradkou vložte späť do diaľkového ovládača.


Ak nebudete diaľkový ovládač dlhší čas používať, odporúčame z neho batériu vybrať. Ak by batéria vytiekla do vnútorného priestoru diaľkového ovládača, mohlo by dôjsť k jeho poškodeniu.



Varovanie:

Batérie nikdy nekladajte do ohňa, neskratujte ani nijako nepoškodzujte. Po skončení ich životnosti ich ekologicky zlikvidujte. Nikdy nevyhadzujte batérie do komunálneho odpadu.

Spárovanie diaľkového ovládača s odsávačom pár

1. Zatiaľ čo je odsávač vypnutý, stlačte tlačidlo  na 2 sekundy, kontrolka sa rozblíka a zaznie zvukové upozornenie.
2. Stlačte ľubovoľné tlačidlo na diaľkovom ovládači a zaznie zvukové upozornenie. Kontrolka zhasne a spárovanie sa úspešne vykonalo.
3. Ak do 3 sekúnd nestlačíte žiadne tlačidlo na diaľkovom ovládači, kontrolka zhasne a odsávač sa vypne.



Poznámka:

Spárovanie je potrebné vykonať iba raz pred prvým použitím, príp. ak bola vymazaná interná pamäť odsávača pár.

ČISTENIE A ÚDRŽBA

Pred čistením alebo akoukoľvek údržbou vždy spotrebič vypnite, odpojte zástrčku napájacieho prívodu od sieťovej zásuvky.



Varovanie:

Nikdy neponárajte spotrebič, napájací prívod ani vidlicu do vody či inej tekutiny.

Na čistenie žiadnych častí spotrebiča nepoužívajte umelohmotné alebo kovové drôtenky, hrubé čistiace prostriedky, chemikálie, benzín, rozpúšťadlá ani iné podobné látky. Mohlo by dôjsť k vážnemu narušeniu povrchovej úpravy.

Bežné čistenie

Používajte mäkkú hubku, mierne navlhčenú vo vlažnej vode s trochou čistiaceho prostriedku. Utrite suchou utierkou.

Tukový filter

Tukový filter je potrebné čistiť aspoň raz za mesiac. Tukový filter zachytáva tuk, dym a prach. Má priamy vplyv na výkon odsávača.

**Varovanie:**

Hrozí riziko vzniku požiaru, ak sa nebude tukový filter pravidelne čistiť.

1. Odstráňte predný panel a opatrne vyberte tukový filter.
2. Umyte tukový filter v teplej vode s trochu kuchynského prostriedku na umývanie riadu.
3. Opláchnite a utrite dosucha.
4. Inštalujte na svoje miesto a nasadte predný kryt.

**Varovanie:**

Pred inštaláciou tukového filtra sa uistite, že je celkom suchý.

**Poznámka:**

Tukový filter je možné umývať v umývačke. Vložte ho vertikálne do horného koša, aby ste zvýšili účinnosť pri umývaní. Teplota vody však nesmie presiahnuť 65 °C.

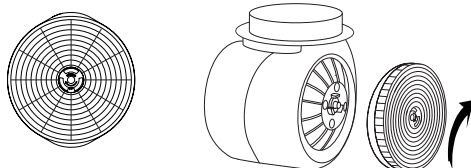
Výmena uhlíkového filtra

**Poznámka:**

Tento krok robte, ak používate spôsob recirkulácie.

Uhlíkový filter pohlcuje nepríjemné zápachy z varenia. K jeho nasýteniu dochádza dlhodobým používaním, intenzitou varenia aj pravidelným čistením tukového filtra. Odporúčame meniť uhlíkový filter každé 3 mesiace.

1. Odstráňte predný panel a opatrne vyberte tukový filter.
2. Otočte uhlíkovým filtrom proti smeru hodinových ručičiek, aby ste ho uvoľnili, a opatrne ho vyberte.
3. Nový filter nasadte na jednu stranu motorovej jednotky a otočte filtrom v smere hodinových ručičiek, aby ste ho zaistili. Uistite sa, že je filter správne nasadený. Jeho zlé nasadenie môže spôsobiť abnormálny hluk a vibrácie, ktoré môžu viesť až k poškodeniu odsávača.



4. Nasadte tukový filter a predný panel.

**Varovanie:**

Uhlíkový filter sa nesmie umývať.

Výmena osvetlenia

1. Odsávač vypnite a odpojte od elektrickej zásuvky.

2. Uvoľnite skrutky krytu osvetlenia a opatrne kryt odstráňte.
3. Odskrutkujte žiarivku.
4. Vložte novú žiarivku rovnakého typu.
5. Nasadte kryt a pripevnite pomocou skrutiek.

**Varovanie:**

Žiarivka sa počas používania zahrieva a môže byť horúca aj po jej vypnutí. Pred výmenou ju nechajte vychladnúť (aspoň 10 minút).

Typ žiarivky: L10
 Tvar: štvorcový
 Menovitý výkon: 1,5 W

RIEŠENIE PROBLÉMOV

Problém	Príčina	Riešenie
Osvetlenie sa rozsvieti, ale odsávač sa nespustí.	Vetrák je blokovaný.	Vypnite odsávač a obráťte sa na autorizovaný servis.
	Motor je poškodený.	
Osvetlenie ani odsávač sa nezapnú.	Žiarivka je prasknutá.	Vymeňte žiarivku.
	Vidlica je uvoľnená zo sieťovej zásuvky.	Skontrolujte zapojenie vidlice v zásuvke.
Odsávač vydáva silné vibrácie.	Vetrák je blokovaný.	Vypnite odsávač a obráťte sa na autorizovaný servis.
	Motor vetráka nie je správne dotiahnutý.	
	Odsávač nie je správne inštalovaný.	Opatrne vyberte odsávač a znovu ho inštalujte.
Slabý výkon odsávača.	Odsávač je umiestnený príliš vysoko nad varnou doskou.	Odporúčaná vzdialenosť medzi odsávačom a varnou doskou je 65 až 75 cm.

Ak problém nie je uvedený v tabuľke vyššie alebo sa problém nepodarilo vyriešiť, vypnite spotrebič, odpojte zástrčku prírodného kábla od sieťovej zásuvky a obráťte sa na autorizované servisné stredisko.

LIKVIDÁCIA POUŽITÝCH BATÉRIÍ

Batérie obsahujú látky škodlivé životnému prostrediu. Nevhadzujte batérie preto do bežného komunálneho odpadu. Použité batérie odovzdajte na riadnu likvidáciu na miestach určených na ich spätný odber.



Köszönjük, hogy a SIGURO márka termékét választotta! Köszönjük, hogy megtisztelt bennünket a bizalmával! Örömmel mutatjuk be Önnek a készülékünket, a készülék funkcióit és a készülék használatát.

Hiszünk abban, hogy tisztességes és felelős vállalat vagyunk, ezért csak olyan beszállítókkal dolgozunk együtt, akik megfelelnek a munkavállalók érdekeinek a védelmére, a munkavállalói visszaélések megelőzésére, továbbá a tisztességes munkakörülmények biztosítására vonatkozó szigorú kritériumainknak.

Amennyiben a készüléken olyan karbantartást vagy javítást kíván végrehajtani, amelyhez a készüléket meg kell bontani, akkor forduljon a márkaszervizhez a siguro@alza.cz e-mailen, vagy hívja fel a vevőszolgálatunkat. A kényelmesebb ügyintézés érdekében egybevontuk a kapcsolati helyeinket, így a fenti kapcsolatokat nem csak a javítások és karbantartások megrendeléséhez, hanem a reklamációk benyújtásához vagy a garancia utáni szervizeléshez is fel lehet használni.

BIZTONSÁGI INFORMÁCIÓK



A használatba vétel előtt figyelmesen olvassa el a jelen útmutatót, és azt későbbi felhasználásokhoz is őrizze meg.

1. A készüléket 8 évnél idősebb gyerekek, idős, testi és szellemi fogyatékos személyek, illetve a készülék használatát nem ismerő és hasonló készülék üzemeltetéseinek a tapasztalataival nem rendelkező személyek csak a készülék használati utasítását ismerő és a készülék használatáért felelősséget vállaló személy felügyelete mellett használhatják.
2. A készülék nem játék, azzal gyerekek nem játszhatnak.
3. A készüléket gyerekek csak felnőtt személy felügyelete mellett tisztíthatják.
4. Az áramütések megelőzése érdekében, a készülék sérült hálózati vezetékét csak márkaszerviz, vagy villanyszerelő szakember cserélheti ki.
5. Amennyiben a páraelszívót olyan helyiségben használja, ahol más készülék gázt vagy más tüzelőanyagot éget el, akkor biztosítani kell a helyiség megfelelő szellőztetését (a csak levegőt forgató készülékeket: pl. elektromos sütőt nem kell figyelembe venni).
6. A készülék tisztítását és karbantartását, a tisztítással és karbantartással foglalkozó fejezetben leírtak szerint hajtsa végre. Tartsa be a jelen útmutatóban leírt utasításokat.
7. **FIGYELMEZTETÉS!** Ha a készülék tisztítását nem hajtja végre a jelen útmutató szerint, akkor a készülékben tűz keletkezhet.
8. A páraelszívó alatt flambírozni vagy nyílt lángot használni tilos.

9. **FIGYELMEZTETÉS!** A főzéshez használt készülékek használat közben felmelegszenek. Legyen különösen óvatos. A forró részek megérintése égési sérüléseket okoz.
10. A páraelszívóval elszívott levegőt nem lehet olyan kéménybe elvezetni, amely más készülékek (pl. gázkazán) égéstermékeit vezet ki a szabadba, a csak levegőt tartalmazó kéményekhez vagy elszívó rendszerekhez a páraelszívó csatlakoztatható.
11. A főzőlap felülete és a páraelszívó alsó része között legyen legalább 65 cm szabad hely.
12. Tartsa be az elszívott levegő továbbítására vonatkozó általános előírásokat is.
13. A jelen készüléket csak legfeljebb négyzónás elektromos főzőlap fölé lehet beszerezni.
14. A készülék telepítését a jelen útmutatóban leírtak szerint hajtsa végre.
15. A páraelszívót a mellékelt kötőelem készlettel, vagy a gyártó által ajánlott más kompatibilis készlettel kell felszerelni a falra.
16. **FIGYELMEZTETÉS!** A szakszerűtlen szerelés, vagy nem megfelelő szerelőkészlet használata elektromos és más veszélyeket okozhat.
17. A készülékkel a főzés közben keletkező gőzt és egyéb párákat lehet elszívni. A készülék kereskedelmi célokra nem használható. A készüléket a rendeltetésétől eltérő célokra használni tilos.
18. A terméket csak a típuscímkén feltüntetett tápfeszültség értékeivel megegyező hálózathoz szabad csatlakoztatni.
19. A készüléket csak szabályszerűen leföldelt aljzathoz szabad csatlakoztatni. A készüléket ne üzemeltesse hosszabbító vezetékéről, elosztóról, adapterről stb.
20. Tisztítás, szerelés, karbantartás vagy lámpacsere előtt a készüléket mindig kapcsolja le és válassza le az elektromos hálózatról.
21. Lámpacsere esetén használjon azonos típusú lámpát (fénycsövet), a gyártó specifikációja szerint.
22. A páraelszívóra idegen tárgyakat ráhelyezni tilos.
23. Ha a készülék meghibásodott, akkor vegye fel a kapcsolatot a márkaszervizzel. Ne próbálja megjavítani a készüléket. Áramütés veszélye áll fenn.

A világítás műszaki adatai

A fénycső típusa	L10
Alak:	négyszög
Névleges teljesítmény:	1,5 W



A készülék részei

- 1 Levegő kimenet
- 2 Készülékház
- 3 Működtető panel
- 4 Világítás (a készülék mindkét oldalán)
- 5 Elülső panel
- 6 Távírányító





Ábrázolás nélkül

- Motoros egység
- Zsírszűrő
- Szénszűrő (1 db)
- Visszacsapó kéményzsalu

Működtető panel

-  Be- és kikapcsoló, kijelzővel
-  Időkapcsoló gomb
-  Teljesítmény csökkentő gomb
-  Teljesítmény növelő gomb
-  Világítás be- és kikapcsoló gomb
-  Távírányító érzékelő.

Távírányító

-  Teljesítmény növelő / időkapcsoló beállító gomb
-  Teljesítmény csökkentő / időkapcsoló beállító gomb
-  Időkapcsoló gomb
-  Világítás be- és kikapcsoló gomb

MŰSZAKI PARAMÉTEREK

Tápellátás	220–240 V~, 50/60 Hz
Teljesítményfelvétel	124 W
Méreték	520 × 295 × 320 mm
Tömeg	8,1 kg
Motor típusa	S1, 550m ³ /h, 120 W
Elszívó cső átmérő	150 mm

TELEPÍTÉS



FIGYELMEZTETÉS!

A szakszerűtlen szerelés, vagy nem megfelelő szerelőkészlet használata elektromos és más veszélyeket okozhat.



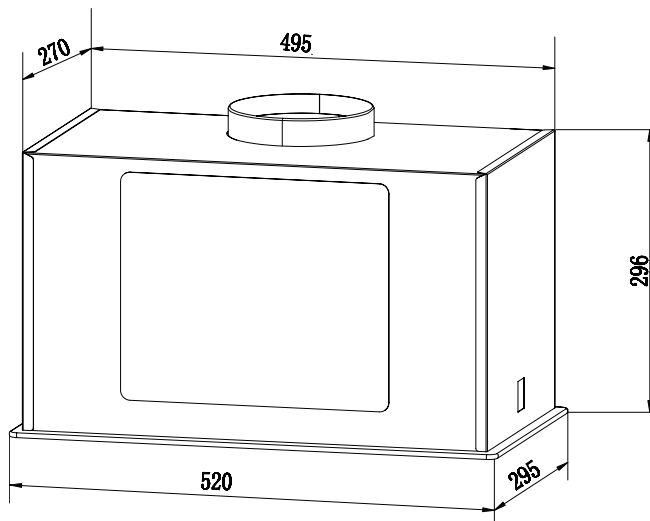
Figyelmeztetés!

A telepítés megkezdése előtt a készüléket kapcsolja le és válassza le a tápfeszültségről.

Mellékelt szerelőkészlet

2db rögzítő alátét
4db rögzítő csavar

A készülék méretei



Telepítési utasítás

A főzőlap felülete és a páraelszívó alsó része között legyen legalább 65 cm szabad hely. A páraelszívót elszívó kéménybe (rendszerbe) kell bekötni, de használható levegő visszaforgató módban is.

Javasoljuk, hogy a szerelést két személy végezze.

1. Bekötés elszívó rendszerbe (kéménybe)

A készülék által elszívott párás levegőt, a készülék felső részén található visszacsapó pillangószelephez csatlakoztatott elszívó cső továbbítja az elszívó rendszerbe (illetve tovább a szabadba). Az elszívó cső átmérője feleljen meg a visszacsapó pillangószelep csatlakozó méretének. Az elszívó cső nem tartozéka a készüléknek.

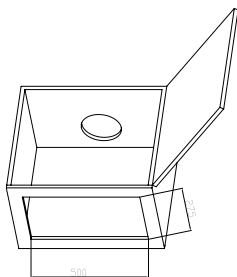
Amennyiben a készüléket korábban visszaforgató módban használta, akkor az elszívó rendszerhez (kéményhez) való csatlakoztatás előtt a szénzsűrőket ki kell szerelni.

2. Levegő visszaforgatás

Ebben az üzemeltetés módban az elszívott levegőt a készülék visszaforgatja a helyiségbe. A készülék az elszívott levegőből eltávolítja a zsírokat és a szagokat, majd visszaforgatja a helyiségbe.

Ha visszaforgatás üzemeltetés módban kívánja használni a készüléket, akkor a szénzsűrőt be kell szerelni.

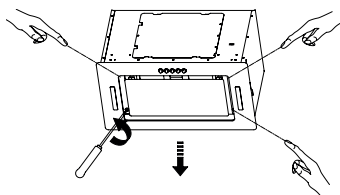
A telepítés folyamata



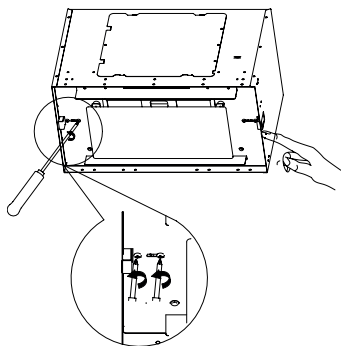
1. A szekrénybe (amelybe a páraelszívót be kívánja szerelni), vágjon ki megfelelő méretű nyílásokat.

Megjegyzés:

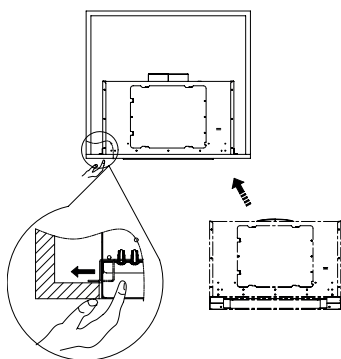
A szekrény mélysége nem lehet 26 cm-nél kisebb. Elöl és hátul is hagyjon 5-5 cm szabad helyet.



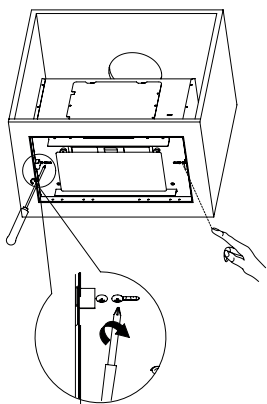
2. Az elülső panel négy csavarját csavarozza ki, vegye le a díszkeretet, majd az elülső panelt kissé hajtsa ki, hogy a kábelt meg tudja bontani. Az elülső panelt és a díszkeretet tegye félre.



3. A készülék két oldalán található rögzítő alátétek csavarjait lazítsa meg.

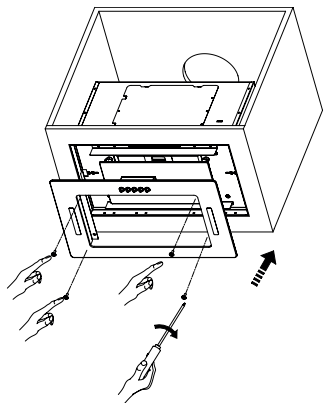


4. A páraelszívót tegye a szekrénybe.
5. A rögzítő alátéteket tolja kifelé a páraelszívóból. A készüléket emelje fel a szekrény fenéklapjától, hogy az alátéteket ki lehessen nyomni.
6. Amikor az alátéteket már teljesen kinyomta, a páraelszívót óvatosan leengedheti a szekrény fenéklapjára.

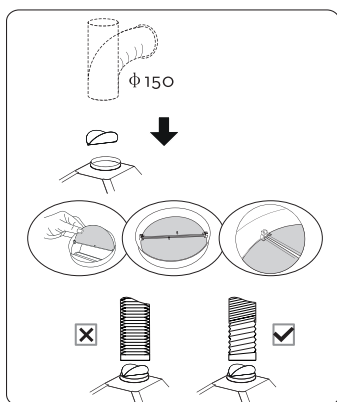


7. A rögzítő alátéteket csavarokkal rögzítse, a csavarokat jól húzza meg.

Megjegyzés: a szekrény típusától függően esetleg 24 × 11 mm-es hornyot kell készíteni a szekrény fenéklapjába, hogy az alátétek megfelelő módon felüljenek a szekrényre. A hornyokat a páraelszívó beszerelése előtt kell kimunkálni. A rögzítő alátét 6 és 28 mm között (a szekrény fenéklapjának a vastagságához) állítható be.



8. A díszkeretet négy darab csavar segítségével rögzítse a páraelszívóhoz. A csavarokat jól húzza meg.
9. Az előlő panelt tegye a páraelszívóhoz és a kábelt kösse be.
10. A panelt először hátul, majd elől nyomja neki a páraelszívónak. Csavarokkal rögzítse. A csavarokat jól húzza meg.



11. A páraelszívó felső részén található kimenetre szerelje fel a visszacsapó pillangószelepet.
12. Az elszívó cső végét csatlakoztassa a visszacsapó pillangószelepre.
13. **Bekötés az elszívó rendszerbe (kéménybe):** az elszívó cső másik végét csatlakoztassa a falban található karimába. A karima átmérője feleljen meg a cső átmérőjének. Kisebb átmérő esetén nem lesz hatékony az elszívás, nagyobb átmérő esetén a zajszint lesz magasabb. Az elszívó csövet ne hajlítsa meg túlságosan. A maximálisan hajlítható szög 90°. A hatékony elszívás érdekében javasoljuk, hogy csak egy hajlítás legyen a csőben.
14. **Levegő visszaforgatás:** a szekrény felső részébe fúrjon furatot, az átmérő feleljen meg az elszívó cső átmérőjének. A furatba szerelje be a védőrácsot, amely a levegő helyiségbe való visszaforgatását szolgálja. Az elszívó cső végét csatlakoztassa a szekrénybe szerelt rácshoz.

Elektromos bekötés

A készüléket csak a típuscímkén feltüntetett tápfeszültség értékeivel megegyező hálózathoz szabad csatlakoztatni. Ha nem ért az elektromos bekötésekhez, akkor hívjon villanyszerelőt.

Amennyiben a páraelszívót fixen (dobozba) kívánja bekötni, akkor ezt a munkát bízva villanyszerelő szakemberre. Az elektromos bekötést a felhasználás országában érvényes előírások és szabványok szerint kell végrehajtani.

A páraelszívó hálózati vezetékén található csatlakozódugót egy szabályszerűen leföldelt elektromos aljzathoz csatlakoztassa.

Javasoljuk, hogy a páraelszívót egy önálló, saját kismegszakítóval védett áramkörre kössék be.

HASZNÁLAT

Az első használatba vétel előtt

A készülék házát meleg vízbe mártott és jól kicsavart puha ruhával törölje meg.

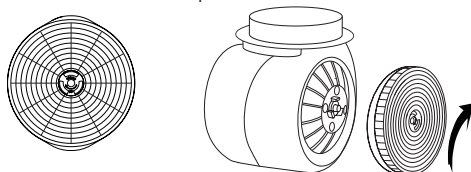
A szénzsűrő beszerelése



Megjegyzés:

Ezt a lépést akkor kell végrehajtani, ha a készüléket levegő visszaforgatási módban fogja üzemeltetni.

1. A mellső panelt szerelje le és vegye ki a zsírzsűrőt.
2. A szénzsűrőt tegye a motor egyik oldalára, és rögzítéshez az óramutató járásába azonos irányba forgassa el.
3. Helyezze fel a zsírzsűrőt és az elülső panelt.



Be- és kikapcsolás

A páraelszívó elektromos hálózathoz csatlakoztatása után minden gomb és kijelző lámpa röviden felvillan majd kikapcsol. A be/ki kapcsoló és a kijelző fehér színnel világít.

A készülék bekapcsolásához a be- és kikapcsoló gombot hosszan nyomja meg. Minden kijelző lámpa röviden felvillan, majd a kijelzőn a „0” jelenik meg. A készülék készenléti üzemmódba kapcsol át.

A készülék kikapcsolásához nyomja meg a be/ki kapcsoló gombot.



Megjegyzés:

készenléti üzemmódban a páraelszívó 2 perc nyugalmi állapot után automatikusan kikapcsol.





A teljesítmény beállítása

A bekapcsolt készüléken a működtető panelen található  /  gombok, vagy a távirányítón található +/- na gombok segítségével állítsa be kívánt teljesítményt.

A teljesítmény 1 és 3 között állítható be, ahol az 1 a legkisebb a 3 a legnagyobb teljesítmény.

Amikor a kijelzőn „0” látható, akkor a páraelszívó lekapcsol és átkapcsol készenléti üzemmódba.



Időkapcsoló

1. Bekapcsolt készüléken nyomja meg 3 másodpercig a  gombot.
2. A kijelző felvillan, és az automatikus kikapcsolás 1 és 9 perc között állítható be a működtető panelen található  /  gombok, vagy a távirányítón található +/- na gombok segítségével.
3. A beállítás elmentéséhez ismét nyomja meg a  gombot. Amennyiben 10 másodpercig egyetlen gombot sem nyom meg a készüléken, akkor a beállítás

automatikusan elmentődik.

4. Ha a páraelszívó motorja működik, akkor a beállított kikapcsolási idő módosítható a fentiek szerint (1-3. lépés). A kijelzőn a beállított kikapcsolási idő visszaszámlálása lesz látható.
5. Az időkapcsoló kikapcsolt készüléken is beállítható (1-3. lépés). A visszaszámlálás azonban csak akkor kezdődik meg, ha a páraelszívót bekapcsolja.

Világítás be- és kikapcsolása

Nyomja meg röviden a működtető panelen a  gombot, vagy a távirányítón a  gombot, a világítás bekapcsol. A kapcsoló ismételt megnyomásával a világítás kikapcsol.

Távirányító

A távirányítóba már a gyártás közben betettük az elemet. A távirányító elemtartójából a védőfóliát távolítsa el. A védőfólia lemerülés ellen védi az elemeket (szállítás és tárolás közben).

A távirányító használata esetén azt fordítsa a készüléken található jelző felé. A távirányító hatótávolsága 6 m. Ha a távirányító és a készülék között valamilyen tárgy (akadály) található, akkor nem biztos, hogy a gombnyomásra reagálni fog a készülék. Ha a távirányítóban az elem lemerült, akkor azt azonos típusú elemmel helyettesítse. A következő lépéseket hajtsa végre:

1. A távirányító alján található fedelet húzza ki.
2. Vegye ki a lemerült elemet, és tegyen be egy új és azonos típusú 3 V-os CR2032 gombelemet. Az elem behelyezésekor ügyeljen a helyes polaritásra (+/-).
3. A fedelet dugja vissza a távirányítóra.


Amennyiben a távirányítót hosszabb ideig nem kívánja használni, akkor abból az elemet vegye ki. Ha az elektrolit az elemből a távirányítóba folyik, akkor a távirányító meghibásodhat.



Figyelmeztetés!

Az elemeket felmelegíteni vagy tűzbe dobni, illetve rövidre zárni tilos. A lemerült elemeket kijelölt gyűjtőhelyen adja le (dobja az elemgyűjtő konténerbe). Az elemeket háztartási hulladékok közé kidobni tilos.

A távirányító és a páraelszívó párosítása

1. Kikapcsolt készüléken 2 másodpercig tartsa benyomva a  gombot, a kijelző lámpa bekapcsol és sípszó hallatszik.
2. A távirányítón nyomja meg valamelyik gombot, sípszó hallatszik. A kijelző lámpa elalszik, ami jelzi a sikeres párosítást.
3. Ha a távirányítón 3 másodpercig egyetlen gombot sem nyom meg, akkor a kijelző lámpa elalszik, a páraelszívó kikapcsol.



Megjegyzés

A párosítást csak egyszer kell végrehajtani (a készülék első használatba vétele előtt), illetve ha a páraelszívó belső memóriája törlésre került.

TISZTÍTÁS ÉS KARBANTARTÁS

A tisztítás megkezdése előtt a készüléket kapcsolja le, és hálózati csatlakozódugót is

húzza ki a fali aljzatból.



Figyelmeztetés!

A készüléket és a hálózati vezetéket vízbe vagy más folyadékba mártani, vagy folyóvíz alatt elmosni tilos.

A tisztításhoz ne használjon karcoló szemcséket tartalmazó tisztítószeret, drótszivacsot vagy fém eszközöket, illetve agresszív anyagokat (pl. benzint) tartalmazó készítményeket. Ezek a készülék és tartozékai felületén maradandó sérüléseket okozhatnak.

Normál tisztítás

Mosogatószeres vízbe mártott puha ruhával vagy szivaccsal törölje meg a készüléket. Majd törölje szárazra.

Zsírszűrő

A zsírszűrőt havonta legalább egyszer tisztítsa meg. A zsírszűrő fogja fel a zsírsemcséket, a füstöt és a port. Közvetlenül hatással van a páraelszívó hatékony működésére.



Figyelmeztetés!

Ha a zsírszűrőt nem tisztítja rendszeresen, akkor a zsírszűrőben tűz is keletkezhet.

1. A mellső panelt szerelje le és vegye ki a zsírszűrőt.
2. A zsírszűrőt mosogatószeres meleg vízben kézzel mosogassa el.
3. Öblítse le és szárítsa meg.
4. Szerelje vissza a készülékbe.



Figyelmeztetés!

Csak teljesen száraz szűrőt szabad visszaszerelni a készülékbe.



Megjegyzés

A zsírszűrőt mosogatógépben is el lehet mosogatni. A zsírszűrőt vízszintesen tegye a felső kosárba. A mosogató víz hőmérséklete nem lehet 65°C-nál magasabb.

A szénzsűrő cseréje

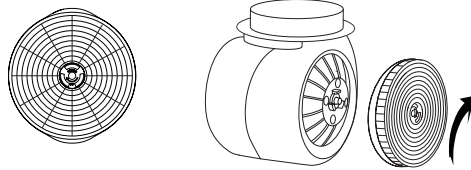


Megjegyzés

Ezt a lépést akkor kell végrehajtani, ha a készüléket levegő visszaforgatási módban fogja üzemeltetni.

A szénzsűrő a szagokat szűri ki a beszívott levegőből. A szénzsűrő egy idő után telítődik (a használat gyakoriságától, az elszívás intenzitásától és a pára tartalmától függően). Javasoljuk, hogy a szénzsűrőt 3 havonta cserélje ki.

1. A mellső panelt szerelje le és vegye ki a zsírszűrőt.
2. A szénzsűrőt az óramutató járásával ellenkező irányba forgassa el és vegye ki.
3. A szénzsűrőt tegye a motor egyik oldalára, és rögzítéshez az óramutató járásával azonos irányba forgassa el. Ellenőrizze le a szűrő helyes felhelyezését. A nem megfelelően rögzített szénzsűrő zajforrás lehet, berezeghet vagy leeshet.



4. Helyezze fel a zsírszűrőt és az elülső panelt.



Figyelmeztetés!
A szénzsűrőt nem lehet tisztítani.

A belső világítás cseréje

1. A készüléket kapcsolja le és a hálózati vezetéket húzza ki a fali aljzatból.
2. A lámpa burkolatot rögzítő csavart csavarozza ki, a burkolatot vegye le.
3. A fénycsövet vegye ki.
4. Tegyen be azonos típusú és teljesítményű fénycsövet.
5. Tegye vissza a burkolatot és csavarral rögzítse.



Figyelmeztetés!
A fénycső használat közben felmelegszik, a forró fénycsövet ne érintse meg. A csere előtt várjon legalább 10 percet, amíg a fénycső le nem hűl.

A fénycső típusa L10
Alak: négyszög
Névleges teljesítmény: 1,5 W

PROBLÉMAMEGOLDÁS

Probléma	Ok	Megoldás
A világítás működik, de az elszívó nem kapcsol be.	A ventilátor forgását valami blokkolja.	A készüléket kapcsolja le és ne használja, forduljon a márkaszervizhez.
	A ventilátor motorja meghibásodott.	
A világítás és az elszívás nem kapcsol be.	A fénycső kiégett.	Cserélje ki a fénycsövet.
	A csatlakozódugó nincs szabályszerűen az aljzatba dugva.	Ellenőrizze le az elektromos hálózathoz csatlakoztatást.
A páraelszívó erősen be-rezeg.	A ventilátor forgását valami blokkolja.	A készüléket kapcsolja le és ne használja, forduljon a márkaszervizhez.
	A motor nincs megfelelő módon rögzítve.	
	A páraelszívó rosszul lett felszerelve.	Keresse meg a szerelési hibát és szüntesse meg.

Probléma	Ok	Megoldás
Alacsony elszívási teljesítmény.	A főzőlap felső részétől túl távolra szerelte fel a páraelszívót.	A páraelszívót 65 és 75 cm közötti magasságba szerelje fel a főzőlap fölé.

Ha a problémát a táblázatban leírtak szerint nem tudta megszüntetni, akkor a készüléket kapcsolja le és húzza ki a hálózati vezetékét a fali aljzatból, majd forduljon a vevőszolgálatunkhoz vagy a márkaszervizhez.

A LEMERÜLT ELEMOK MEGSEMMISÍTÉSE

Az elemek környezetszennyező anyagokat tartalmaznak. Az elemeket ne dobja a háztartási hulladékok közé. A lemerült elemeket elektronikai szaküzletekben vagy kijelölt hulladékgyűjtő helyeken adja le újrahasznosításra.



ENGLISH

The use of the WEEE Symbol indicates that this product should not be treated as household waste. By ensuring this product is disposed of correctly, you will help protect the environment. For more detailed information about the recycling of this product, please contact your local authority, your household waste disposal service provider, or the shop where you purchased the item.

This product meets all of the related basic EU regulation requirements. The EU declaration of conformity is available on www.alzashop.com/doc.

This product sold in the European Union meet the requirements of Directive 2011/65/EU on the restriction of the use of certain hazardous substances in electrical and electronic equipment (RoHS).

DEUTSCH

Das WEEE-Symbol weist darauf hin, dass dieses Produkt nicht als normaler Haushaltsabfall behandelt werden darf. Indem Sie sicherstellen, dass dieses Produkt ordnungsgemäß entsorgt wird, tragen Sie zum Schutz der Umwelt bei. Für detailliertere Informationen zum Recycling dieses Produkts wenden Sie sich bitte an Ihre lokale Behörde, Ihren Hausmüllentsorgungsdienstleister oder das Geschäft, in dem Sie das Produkt erworben haben. Dieses Produkt erfüllt alle relevanten EU-Vorschriften. Die EU-Konformitätserklärung ist unter www.alzashop.com/DoC einsehbar.

Dieses in der Europäischen Union verkaufte Produkt erfüllt die Anforderungen der EU Richtlinie 2011/65/EU zur Beschränkung der Verwendung bestimmter gefährlicher Stoffe in Elektronikgeräten (RoHS)

ČESKY

Použití symbolu WEEE označuje, že tento výrobek nesmí být považován za domovní odpad. Zajištěním správné likvidace tohoto výrobku pomůžete chránit životní prostředí. Pro podrobnější informace o recyklaci tohoto výrobku se prosím obraťte na místní úřad zabývající se likvidací domovního odpadu, poskytovatele služby zabývající se likvidací domovního odpadu

nebo obchodu, kde jste produkt zakoupili. Tento výrobek splňuje veškeré základní požadavky směrnic EU. EU prohlášení o shodě je k dispozici na www.alzashop.com/doc.

Tento výrobek prodávaný v Evropské unii splňuje požadavky směrnice 2011/65/EU omezující používání některých nebezpečných látek v elektrických a elektronických zařízeních (RoHS).

SLOVENSKY

Použitie symbolu WEEE označuje, že tento výrobok sa nesmie likvidovať s komunálnym odpadom. Ak výrobok správne zlikvidujete, prispějete k ochrane životného prostredia. Podrobnejšie informácie o recyklácii výrobku získate na miestnom zastupiteľstve, u poskytovateľov služieb likvidácie domového odpadu alebo v predajni, v ktorej ste výrobok zakúpili.

Tento výrobok spĺňa všetky základné požiadavky smerníc EÚ. EÚ Vyhlásenie o zhode je k dispozícii na www.alzashop.com/doc.

Tento výrobok, predávaný v Európskej únii, spĺňa požiadavky smernice 2011/65/EU obmedzujúce používanie niektorých nebezpečných látok v elektrických a elektronických zariadeniach (RoHS).

MAGYAR

A WEEE szimbólum azt jelzi, hogy ez a termék nem kezelhető háztartási hulladékként. A termék helyes megsemmisítésének biztonságával segít védeni a környezetet. A termék újrahasznosításával kapcsolatos részletesebb információkért, kérjük, forduljon a helyi hatóságokhoz, a háztartási hulladékkezelő szolgáltatóhoz vagy a bolthoz, ahol a terméket megvásárolta. Ez a termék megfelel az összes rá vonatkozó EU-s szabályozási követelménynek. Az EU megfeleléségi nyilatkozata a www.alzashop.com/DoC címen érhető el. Az Európai Unióban értékesített termékek megfelelnek az elektromos és elektronikai berendezésekben való egyes veszélyes anyagok használatának korlátozására vonatkozó 2011/65/EU (RoHS) irányelvnek.

CE



R20240321

SIGURO

Alza.cz a.s., Jankovcova 1522/53, 170 00 Prague 7, Czech Republic
© 2024 Alza.cz a.s. All Rights Reserved.

www.siguro.net