

SIGURO

Robotic Vacuum Cleaner

Robotic Vacuum Cleaner
Robotersauger
Robotporszívó



EN Translation of the operating instructions from the original language.
DE Übersetzung der Bedienungsanleitung aus der Originalsprache.
HU A használati utasítás fordítása eredeti nyelvről.

SGR-RV-S900B

SIGURO

ENGLISH	3
Safety information	3
Diagram	7
Technical specification	12
Before use	12
Use	16
Mobile app control	17
Cleaning and maintenance	18
Troubleshooting	24
DEUTSCH	31
Sicherheitshinweise	31
Übersicht	36
Technische parameter	41
Vorbereitung vor der verwendung	41
Verwendung	45
Bedienung über die app	47
Reinigung und wartung	48
Problemlösung	54
MAGYAR	64
Biztonsági információk	64
A készülék részei	69
Műszaki paraméterek	74
Előkészület a használatához	74
Használat	78
Működtetés mobil alkalmazásból	80
Tisztítás és karbantartás	81
Problémamegoldás	87

Thank you for purchasing a SIGURO appliance. We are grateful for your trust and are pleased to introduce on the following pages the device, its functions and uses.

We believe in a fair and responsible society and only work with suppliers who meet our strict criteria on employee protection, exploitation prevention and fair working conditions.

If you need help with extensive maintenance or repair of the product that requires intervention in its internal parts, our authorized service centre is available at siguro@alza.cz. You may also contact the vendor's helpline. For your convenience, in solving any problems with the product, we have unified these contact points and the above contacts can be used in case of any complaints or post-warranty service.

The current version of this manual is available at www.siguro.net.

SAFETY INFORMATION



Please read this manual carefully before use and keep it for future reference.

1. This appliance is intended for use by children 8 years of age and older and persons with reduced physical, sensory or mental capabilities, or lack of experience and knowledge, provided they have been given supervision or instruction concerning use of the appliance in a safe manner and understand the potential hazards
2. Children must not play with the device.
3. Cleaning and user maintenance may not be performed by unsupervised children.
4. If the power adapter or charging station are damaged, they must be replaced by the manufacturer, its service agent or similarly qualified persons to avoid danger. Never use the appliance if the power adapter or charging station is damaged.
5. Before cleaning or maintenance, unplug the

appliance and turn off the main power switch.

6. The appliance may only be used with the supplied power adapter and charging station.
7. **WARNING:** Never use the power adapter or charging station to charge batteries or appliances they were not designed for.
8. The appliance is intended for vacuum cleaning in households, offices and similar premises. Do not use in industrial settings or outdoors.
9. The appliance is not designed to suck in water and should not be used in wet or damp areas, such as in laundry rooms or bathrooms and around swimming pools. Water will damage the vacuum cleaner's internal electronics on contact.
10. Do not use to clean:
 - smouldering cigarettes, burning or combustible items, matches, ash;
 - water or other liquids;
 - sharp objects such as glass shards, needles, pins, etc.;
 - flour, wall plaster, construction materials;
 - large pieces of paper and plastic bags – these could clog the suction aperture.
11. Before plugging in the power adapter, make sure the input voltage on its type plate matches the voltage of the power outlet.
12. Only plug the power adapter into properly grounded outlets. Do not use extension cords.
13. Do not lay the power adapter cable across sharp objects. Make sure the power cord does not hang off a table edge or touch warm or hot surfaces.
14. When unplugging the power adapter, pull on the plug, not on the cord. Pulling on the cord may damage the adapter or the outlet.
15. Do not touch the power cord or cable with wet hands.
16. Keep the appliance and power adapter in a dry place out of the reach of children.
17. Do not expose the appliance to direct sunlight; do not place it near open flame or heat sources.
18. Only use original accessories supplied with the appliance or recommended by the manufacturer.
19. Before each use, make sure the appliance is assembled properly and the dustbin and filter unit are installed.
20. Before use, make sure the door leading out of the premises is closed. Remove from the floor any items the vacuum cleaner might accidentally suck in, such as clothing, papers, toys, data and power cables, etc. Lift floor-length curtains enough to keep them from being sucked in.
21. Make sure the suction aperture and exhaust grille remain clear of obstructions throughout the appliance's operation. Otherwise, the appliance may sustain damage.
22. Do not use the appliance on narrow elevated surfaces, such as the tops of tables and other furniture. The limited manoeuvring space may cause the appliance to fall off and sustain damage.

23. Do not place objects on top of the appliance; do not step or sit on it. While the appliance is in operation, watch for the presence of children and pets.
24. Do not disassemble, modify or repair the appliance. None of its parts are intended to be user-repairable. Any and all maintenance not described in this manual should be left to an authorized service centre. Do not use the appliance if it appears damaged or faulty, fell in the water, or if the power adapter or charging station is damaged.
25. Follow the cleaning and maintenance instructions in this manual.
26. To prevent electrocution, avoid water dripping or splashing on the appliance, power adapter or charging station; do not submerge any of these in water or other liquids.
27. Remove the battery in periods of prolonged disuse. Before removing the battery, make sure the main power switch is off and the appliance is unplugged.
28. Do not put pressure on the laser navigation module and do not attempt to remove its cover. You might damage the module.

Class I Laser Device



Class 1 laser product.

The laser sensor complies with class I of the EN 60825-1 laser safety standard.

Wavelength: 775–800 nm

Beam divergence: 13°

Pulse length and frequency (or pulse sequence description for irregular radiation patterns): 100 µs; 3,000 to 4,000 Hz

Maximum power or output energy: 3 mW

When using, handling and maintaining this laser-equipped robotic vacuum cleaner, always observe these precautions:

- Set the vacuum's main power switch to the off position before handling the device in any way.
- Do not aim the laser beam at or near people.
- Do not look into the laser emitter, or even into reflected laser beams.
- The laser sensor may only be modified and repaired by an authorized service centre.



Warning:

Failing to follow the use and maintenance instructions in this manual may cause radiation injury!

BATTERY DISPOSAL



The product is equipped with a built-in battery. This must be removed before the product is disposed of in an environmentally friendly manner or taken to a collection point. Only qualified personnel at authorized service centres may remove the battery pack. Turn on the appliance and wait until the battery is completely discharged. Then remove it. The battery contains environmentally harmful substances and should never be disposed of in general waste. Take it to a collection point for environmentally friendly disposal.



Electrical safety class: II

Protection against electric shock is provided by double or reinforced insulation.



The **“interior use only”** symbol means the product is not designed for outdoor use.

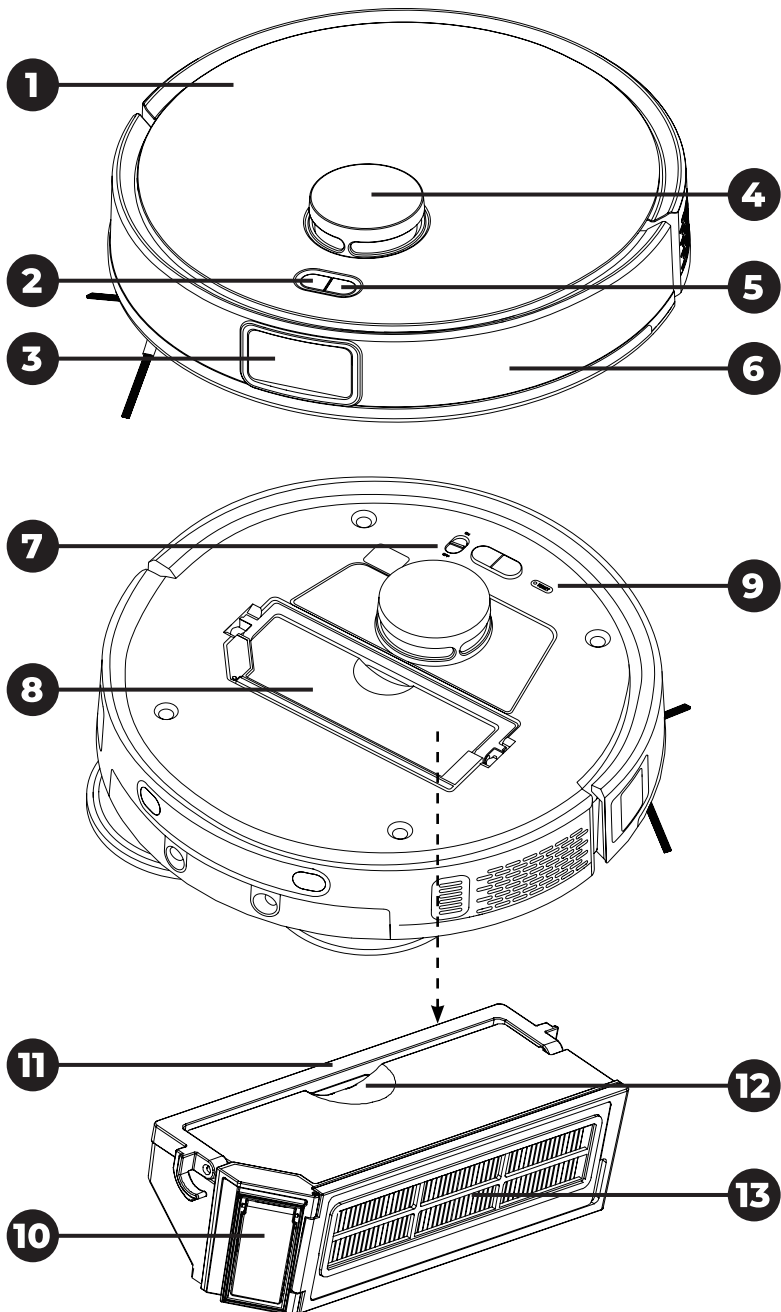
Alza.cz, a. s. hereby declares the radio device SGR-RV-S900B compliant with Directive 2014/53/EU.

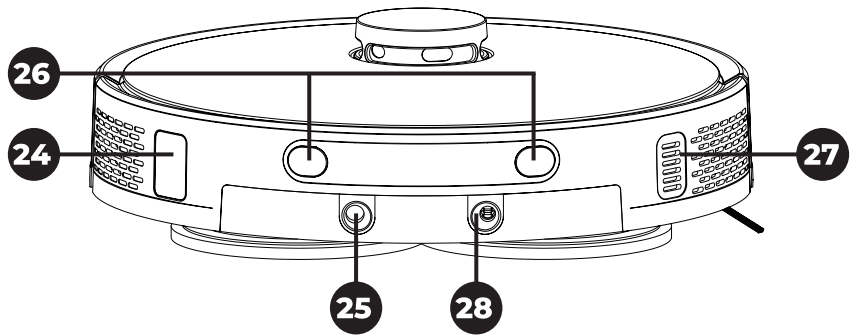
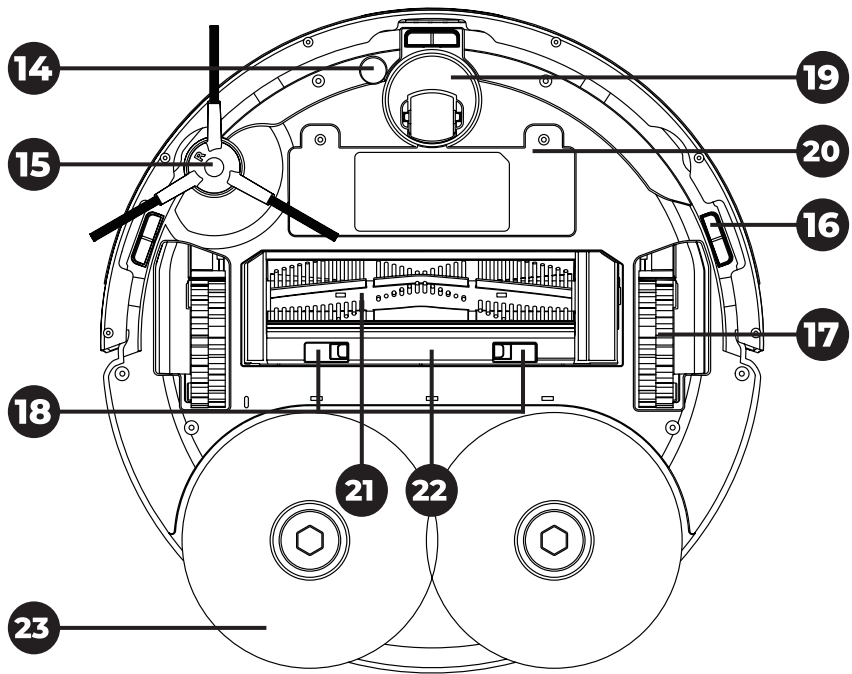


Scan this QR code to download the app.





Scan this QR code to add the robotic vacuum cleaner to the app.

DIAGRAM**A**



Robotic vacuum cleaner (Fig. A)

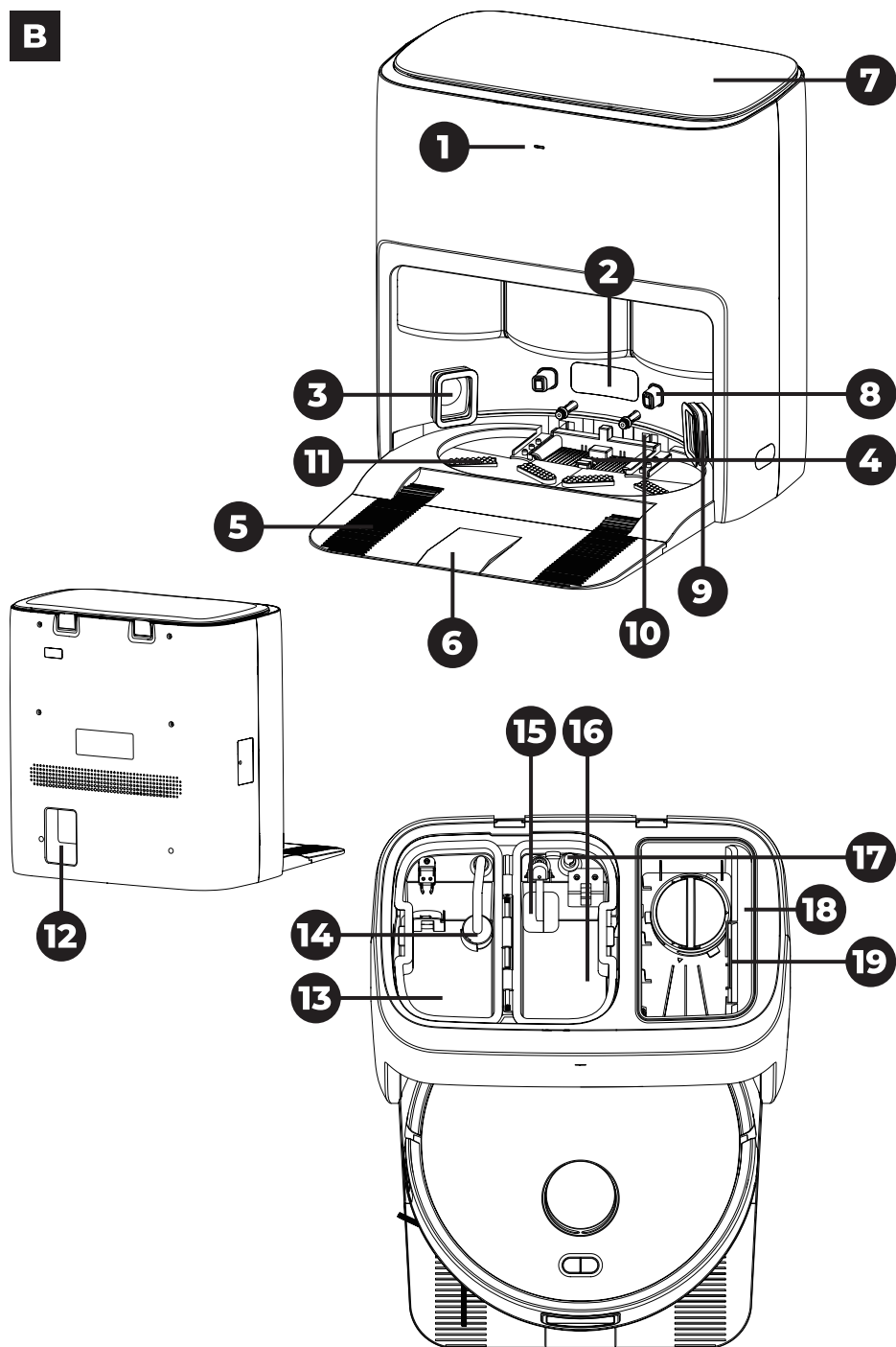
- 1 Top cover
 - 2  button to return to charging station
 - 3 AI camera
 - 4 Laser module
 - 5  button switches vacuum cleaner on / off and starts / stops cleaning
 - 6 Collision sensor
 - 7 AI camera switch
 - 8 Dust container
 - 9 RESET button
 - 10 Dust container inlet
 - 11 Dust container handle
 - 12 Dust container lid
 - 13 HEPA filter
 - 14 Carpet sensor
 - 15 Side rotary brush
 - 16 Anti-fall sensors
 - 17 Castors
 - 18 Protective frame locks
 - 19 Front castor
 - 20 Battery compartment cover
 - 21 Central rotary brush
 - 22 Rotary brush protective frame
 - 23 Circular mops
 - 24 Outlet for vacuuming the dust container
 - 25 Water tank inlet
 - 26 Charging contacts
 - 27 Air vent
 - 28 Positioning input
- Not pictured:** power cord, mop holder, dust bag, cleaning brush



Note:

The SGR-RV-S900S robotic vacuum cleaner is equipped with an AI camera that, in conjunction with sensors and lidar, ensures flawless movement and navigation around the room and recognition of obstacles and objects on the floor. The AI camera is not capable of making audio or video recordings.

B



Charging station (Fig. B)

- 1 LED indicator**
- 2 Charging signal**
- 3 Air outlet**
- 4 Water outlet**
- 5 Castor bay**
- 6 Ramp**
- 7 Charging station lid**
- 8 Charging contacts**
- 9 Outlet for vacuuming the dust container**
- 10 Drying air outlet**
- 11 Mop cleaning area**
- 12 Power cord socket**
- 13 Clean water tank**
- 14 Foam filter (filters dirt and germs)**
- 15 Used water tank full indicator light**
- 16 Used water tank**
- 17 Used water drain**
- 18 Dust bag compartment**
- 19 Dust bag inlet**

List of Accessories

- Robotic vacuum cleaner
- Charging station
- Power cord
- Rotary brush
- Cleaning brush
- Mops
- Dust bag

TECHNICAL SPECIFICATION

Vacuum cleaner	Battery	Li-Ion 14.4 V, 5000 mAh
	Input voltage	23.65 V, 2.5 A
	Charging time	4 to 5 hours
	Operating time	90 minutes
	Dimensions (diameter x height)	35 × 10.5 mm
	Weight	3.7 kg (robotic vacuum cleaner) 12,4 kg (robotic vacuum cleaner + charging station)
	Dust container capacity	400 ml
	Water tank capacity	80 ml
Charging station	Noise level	55–70 dB
	Input voltage	220–240 V~
	Nominal power	24 W (charging) 80 W (drying) 800 W (water heating) 1,000 W (dust container cleaning)

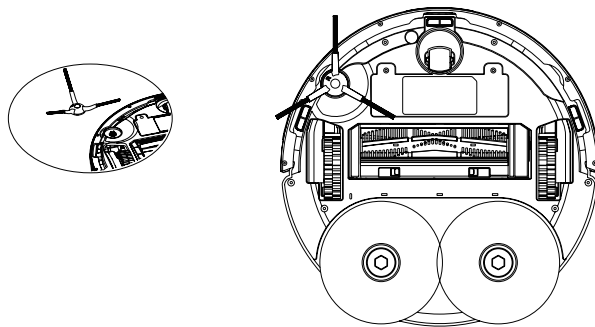
BEFORE USE

Before First Use

1. Remove the appliance and its accessories from the packaging. Before disposing of packaging, make sure no components are left inside. Check the appliance for damage.
2. Remove all stickers, protectors, and labels from the front, bumper, dust container compartment, and charging station.

Installing the Rotary Brushes

1. Turn the vacuum upside down.
2. Press the rotary brushes into the sockets on the bottom of the device until they click into place.
3. Turn the vacuum right side up again.



The rotary brushes are designed for cleaning smooth floors. They allow efficient cleaning in corners and along wall and furniture edges. When vacuuming carpets, make sure to first remove the rotary brushes. To do so, reverse the installation procedure described above.

Charging station

The charging station can:

- automatically charge the vacuum cleaner;
- empty the dust container;
- top up the water tank;
- clean and dry mops.

Keep the station freely accessible so that the vacuum cleaner can easily locate it and dock.

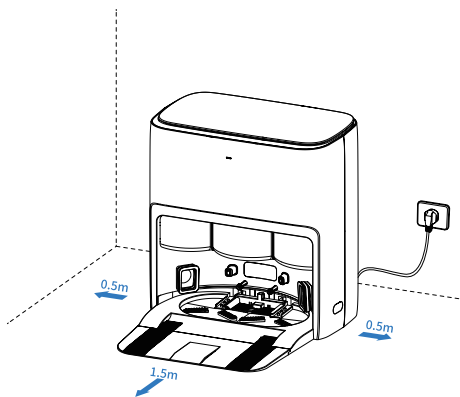
Place the charging station on a hard, level, dry surface within reach of mains power.

We recommend placing the station by the wall.

For reliable docking, the vacuum should have 0.5 m (3 ft) of space to either side and 1.5 m (6 ft) in front of the charging station. This space should be clear of obstacles that might foul up the vacuum's navigation and docking procedure.

Plug the power cord connector into the socket at the back of the charging station. Plug the other end into a properly grounded mains outlet. Lay the power cord so as to keep people from tripping on it, the vacuum's brushes from catching on it, and to keep it away from hot or sharp objects, etc.

During prolonged disuse, unplug the charging station and securely store it.



Charging the Battery

The vacuum needs to be charged to full before first use. Proceed as follows:

1. Make sure the charging station is well placed and plugged in.
2. Long-press (⏻) for 3 seconds to power on the appliance. Wait for the backlight on the vacuum cleaner buttons to turn on.
3. Insert the vacuum into the charging station so that the charging contacts on the bottom of the vacuum touch those on the charging station. Once there is electrical contact, charging begins automatically.
4. While the vacuum cleaner is charging, its button backlight flashes slowly.
5. Once full charge is reached, the buttons will glow steadily.

When the vacuum cleaner has finished cleaning, it automatically locates the charging station, where it parks itself so that it can recharge and is ready for further use. For this reason, keep the charging station plugged in at all times. Once the vacuum is fully charged, charging stops automatically.

If the vacuum cleaner's charge level falls too low during operation, the vacuum cleaner will automatically stop cleaning and seek the charging station to park and recharge. After charging, the vacuum cleaner will start again and continue cleaning where it left off.

Note:



If the vacuum cleaner cannot find the charging station, it will return to where it stopped cleaning. You will then need to manually insert the vacuum cleaner into the charging station. If the vacuum cleaner runs out of power while looking for the charging station, it will stop in place. In this case, too, you will have to manually insert it into the charging station.

Note:



During prolonged disuse, recharge the vacuum once every 2 to 3 months to extend the useful life of the battery pack.

Warning:



Do not move the charging station while the vacuum cleaner is in operation.

Status Indication by Button Backlight

Backlight flashes slowly: the vacuum cleaner is charging.

Backlight glows steadily: the vacuum cleaner is charged and ready to use.

Charging Station LED Indicator

LED glows blue: charging station status is nominal.

LED glows red: charging station malfunction.

Filling the Clean Water Tank

The clean water tank should be filled with clean, cold water before using the vacuum cleaner to vacuum and wipe, or just to wipe.

1. Open the charging station lid and remove the clean water tank.
2. Open the tank lid and pour in clean, cold water up to the MAX line.
3. Close the lid. Make sure the lid locks have engaged and the lid is secure.
4. Return the tank into the charging station and close the lid.
5. When the tank is low, a refill alert will appear on your phone app. Follow the same procedure to refill.

Warning:



Only fill the tank with clean, cold water. Do not use warm or hot water. Do not use detergents or other chemicals. Doing so may severely damage the system.

Note:



The app allows setting the mop soaking frequency, hot water mopping, etc.

Preparing the Room for Cleaning

Before using the vacuum, take these steps to avoid damage to the appliance or other property, or hazardous situations.

1. Clear the floor of all cables and small items that might entangle the vacuum.
2. Secure any free carpet edges on which the vacuum might trip and tassels it might suck in. The vacuum is not designed to clean carpets with pile height exceeding 26 mm (1 in).
3. Prevent the vacuum from attempting to enter spaces with less than 70 mm clearance; it might get stuck. If necessary, block off such spaces by setting a suitable ground-standing object before them.
4. The vacuum is not designed for cleaning wet areas. Do not expose it to water or moisture.
5. The vacuum can drive over obstacles up to 16 mm high. Remove taller obstacles if necessary.
6. The vacuum is equipped with surface sensors, designed to keep it from falling off stairs etc. These sensors' readings can be fouled by dirt on the sensor eye, dark or reflective floor materials, and other adverse conditions. We thus recommend blocking off areas where the vacuum might fall off a step or ledge with suitable obstacles.

General Cleaning Procedure

- Regardless of mode, the vacuum cleaner uses pathfinding algorithms to ensure efficient cleaning of the room or area.
- Let the vacuum cleaner charge fully before first use.
- To start cleaning, use the button on the vacuum cleaner or the phone app.
- When total cleaning time is less than 10 minutes, the vacuum cleans the area twice. This is normal behaviour.
- When the vacuum detects a low charge, it stops cleaning and seeks out the charging station. Once sufficiently charged, it will return to where it left off and resume cleaning.
- When the vacuum detects its dust container is full, it stops cleaning and seeks out the charging station. Once it docks, the charging station will automatically transfer the dust from the container into its built-in dust bag. This process produces a vacuum sound that may be louder than the vacuum cleaner's normal operating noise. This is normal behaviour.
- When the vacuum detects its water tank is running low, it stops cleaning and seeks out the charging station to refill. Once done, it will return to where it left off and resume cleaning.



Note:



You can set the water refill interval and the amount of water to soak the mops and wipe the floor in the app on your phone.


- In vacuum-and-wipe mode, the vacuum cleaner can identify the type of flooring it is on. When it rolls onto a carpet or rug, it automatically raises the mops. There is thus no need to take them off manually. After rolling back onto smooth flooring (e.g. tiles), it automatically lowers the mops again and continues wiping.
- Even so, we recommend removing smaller rugs with pile height over 12 mm and doormats before starting the cleaner. Alternately, surround these with a virtual wall in the app so the vacuum avoids them.
- When cleaning is complete, the vacuum seeks out the charging station. Once

docked, the station will clean the vacuum, emptying the dust container and washing and cleaning the mops. Automatic charging will then start.

USE

Power On / Off

Long-press  to power on the appliance. The  and  buttons will light up. The vacuum is ready to use.

To switch off the vacuum cleaner, press and hold  until the button backlight goes out. The vacuum cleaner will shut down.



Note:

The vacuum cleaner cannot be switched off while it is charging.



Note:

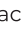
If the charge level is too low, the vacuum cleaner will not start.

Standby Mode and Automatic Shutdown

When cleaning remains interrupted for more than 10 minutes, the button backlight will go out and the vacuum cleaner will go to standby. Press any button to switch the vacuum back to ready condition.

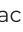
After the vacuum cleaner has been on standby for 24 hours, it will automatically switch off. To turn it on, press and hold .

Automatic Cleaning Mode

While the vacuum is on, press . The vacuum cleaner starts automatic cleaning by first going around the walls of the room, then cleaning the room on a Z-shaped path. Automatic cleaning is the default mode.


If cleaning the area once takes less than 10 minutes, the vacuum cleaner will clean it again. This is normal behaviour.

Starting Local Cleaning


While the vacuum is on, press  for 3 seconds. The vacuum cleaner will start local cleaning. The vacuum cleaner will clean a 1.5 × 1.5 m square area centred on its starting position. When done, it will return to the starting point.

Cleaning Pause / Restart


To interrupt cleaning, press . To resume cleaning, press  again.

If cleaning remains interrupted for more than 10 minutes, the button backlight will go out and the vacuum cleaner will go to standby. Press any button to reactivate it. To continue cleaning, press .

Manually Seek Charging Station

Press  while the vacuum cleaner is in operation. The vacuum cleaner will stop cleaning and automatically seek the charging station, where it will park to recharge.

Child Lock

When the child lock is active, button presses do nothing while the robot vacuum cleaner is at rest. Press and hold  for 3 seconds to deactivate Child Lock.

Error Messages

If a fault occurs during cleaning, the buttons will light up and flash red. A chime will sound as well. Find the solution in the **Troubleshooting** section of this manual.



Note:

Error messages are also displayed in the application.

Resetting the Vacuum Cleaner

If the vacuum does not respond to button presses or will not switch off, remove the top cover and press **RESET**. This will reboot the vacuum's operating system.



Note:

Resetting the vacuum erases personal settings (e.g. scheduled cleaning, Wi-Fi settings, etc.) and restores factory defaults. Personal settings will need to be manually restored.


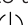
MOBILE APP CONTROL

The vacuum can also be controlled through an app from a smartphone or tablet.

Downloading the App



1. Download and install the Tuya Smart app. A QR code is provided for this purpose on one of the preface pages of this manual.
2. The vacuum can only communicate over Wi-Fi at 2.4 GHz. If your router is equipped with 5 GHz Wi-Fi, make sure to have it set to 2.4 GHz mode.
3. Create an account and log into the app.
4. The app has a step-by-step wizard to help you with installation, registration and login.

Add device via QR code



1. Turn on your vacuum.
2. In the app, click the "+" icon in the upper right corner and select "Add Device".
3. Click the [-] icon in the upper right corner.
4. Scan the QR code, which can be found in the introductory part of the manual, or is this QR code stuck on the robotic vacuum cleaner under the top cover.
5. Click "Add to" to add the robotic vacuum cleaner to the app.
6. If prompted to reset Wi-Fi, press and hold  and  simultaneously for 3 seconds. The button backlight will flash. In the app, confirm the buttons are flashing.
7. The vacuum cleaner will be automatically added to the device list. Tap "Done" to display the vacuum cleaner controls.

Manual Addition

1. Turn on your vacuum.

2. In the app, tap the “+” at top right, then select “Add Device”.
3. Swipe down on the screen to the “Add Manually” option. On the next screen, select “Small Appliances”, then “Robotic Vacuum Cleaner (Wi-Fi)”.
4. On the next screen, select the Wi-Fi network and enter your password. Tap “Next”.
5. If prompted to reset Wi-Fi, press and hold  and  simultaneously for 3 seconds. The button backlight will flash. In the app, confirm the buttons are flashing.
6. The vacuum cleaner will be automatically added to the device list. Tap “Done” to display the vacuum cleaner controls.

Wi-Fi Reset

To reset the built-in Wi-Fi module, press and hold  and  on the vacuum cleaner simultaneously for 3 seconds. A chime will sound and the Wi-Fi module will reset.

Reset Wi-Fi when:

- prompted to do so in the app;
- automatic and manual addition of the vacuum to the in-app device list both failed;
- your Wi-Fi password changed;
- your Wi-Fi configuration changed;
- you need to associate the device with a different user account.

Announcement Volume and Language

Some of the vacuum cleaner’s actions are accompanied by voiced reports. The default reporting language is English. You can change the reporting language and volume or turn verbal reporting off in the app.

App Features

The app contains advanced settings for the vacuum cleaner, cleaning modes, etc. Controls available in the app include:

- switch between simple vacuuming and vacuuming with floor wiping;
- water tank refill and mop soaking frequency;
- operating mode selection – low noise / standard / high power;
- cleaning mode selection: cleaning by room, local area cleaning, spot cleaning, etc.;
- setting restricted areas and virtual walls;
- warm water rinse for mops;
- home map creation, real-time update and reset;
- scheduled cleaning;
- setting the water flow rate for floor wiping;
- “Do Not Disturb” mode;
- warning and error messages, etc.

CLEANING AND MAINTENANCE

Before any cleaning or maintenance, first power off the appliance and unplug the adapter from the wall socket.

For best cleaning efficiency and service life, the vacuum should be cleaned after each use.

**Warning:**

Never immerse the appliance, charging station, or adapter in water or other liquids.

Never clean any part of the appliance with plastic or metal scrapers, harsh cleaners, chemicals, hydrocarbon cleaners, solvents, or similar substances. The surface finish could be seriously damaged.

Recommended Cleaning and Maintenance Intervals

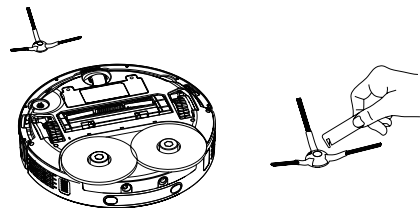
Keep the vacuum and its accessories clean. Regular cleaning maximizes operational lifespan and ensures efficient cleaning and consistent performance. The table below shows the recommended cleaning and maintenance intervals for the vacuum and accessories.

Component	Cleaning interval	Replacement interval
Mop	Clean manually as required Cleaned automatically after each use	Every 3 months depending on usage frequency
Dust bag	--	When the "dust bag full" warning appears, or else every 2 to 3 months
Side rotary brush	Every 2 weeks	Every 3 to 6 months
Central rotary brush	Weekly	Every 6 to 12 months
AI camera Castors Sensors Charging contacts	Weekly	--
Mop cleaning area	Every 2 weeks	--
Clean water tank	Monthly	--
Used water tank	Every time wiping is done and mops have been cleaned	--
Dust container	Every 2 weeks	--
Docking station	Every 2 weeks	--

ROBOTIC VACUUM CLEANER

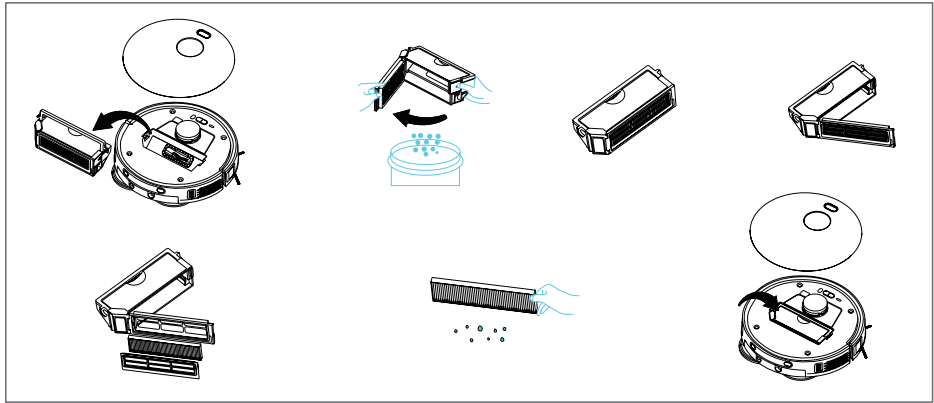
Cleaning the Rotary Brush

1. Remove the brush from the vacuum cleaner and clean it using the brush provided.
2. Heavily soiled brushes should be rinsed in running water, then set out to dry. If a brush has bent bristles, straighten them by immersing the brush in warm water.
3. Only remount the brush on the vacuum once completely dry.
4. If the rotary brush is damaged or worn, replace it with a new one.



Cleaning the Dust Container and HEPA Filter

Empty the dust container after each use or, if necessary, during use. In the latter case, always make sure the vacuum cleaner is off. The app will display a full dust container warning.



1. Open the top cover, grasp the dust container by the handle and pull it out of the vacuum cleaner.
2. Open the lid of the dust container and empty the contents into the trash. From a sanitation perspective, it is best to empty the dustbin outside living areas.
3. Carefully remove the HEPA filter frame from the dust container and shake out the filter. You can also clean it using the provided brush. HEPA filters may not be rinsed in water. A damaged or excessively soiled HEPA filter needs to be replaced. When clean and dry, insert the HEPA filter into its frame, then insert the assembly into the dust container.



Note:

A dirty, clogged or damaged HEPA filter reduces suction power and thus cleaning efficiency. Make sure to keep the filters clean.

4. If required, the dust container can be rinsed in running water, then set out to dry.
5. Make sure the dust container and HEPA filter are clean and dry, then put the HEPA filter back on.
6. Close the dustbin lid and insert the dustbin assembly into the vacuum.

Cleaning Mops and Mop Holders

1. The mops are cleaned automatically after every floor wipe.
2. When the vacuum docks with the charging station, a small amount of water is released into an interior mop cleaning bay in the charging station. The vacuum will run briefly and turn the mops in the cleaning bay to wash out dust and dirt. The bay has a bank of soft nubs that help clean the mops.
3. Once the mops have been washed, the used water is transferred into the used water container.
4. The vacuum then briefly runs a mop drying routine.

From time to time, it may be helpful to manually remove the mops and soak them in warm water. You can add some mild detergent. Wash the mops by hand until clean. Rinse in warm water, wring out by hand, and hang out to dry. However, doing this too often may reduce the mops' lifespan.

After removing the mops, the mop holders can be carefully wiped with a damp, soft cloth. Do not use brushes, wire scrubbers, etc. to avoid damaging the Velcro fasteners.

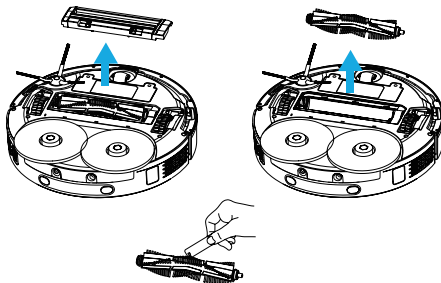


Note:

The mops should not be machine-washed or -dried.

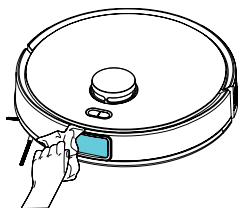
Cleaning the Centre Rotary Brush

1. Press the locks of the central rotary brush cover and tilt it open.
2. Grab the central rotary brush at one end and carefully remove it from its mounting in the suction aperture.
3. Clean tangled hair, fur and other detritus from the rotary brush and its bearings.
4. Clean the brush bay with a dry cloth and check the suction aperture for obstructions.
5. Replace the rotary brush in its mounting, then replace the cover plate. Push down gently until you hear a click. This indicates the brush is secure.

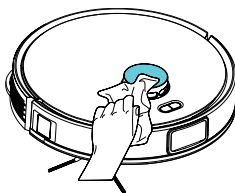


Cleaning the Sensors

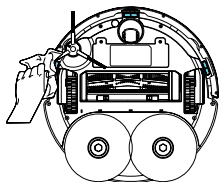
It is important to regularly clean the sensors on the vacuum cleaner and the charging station to ensure the vacuum's reliable navigation. Wipe the sensors with a soft, dry sponge.



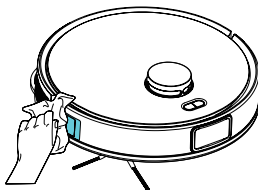
AI camera



Laser module



Bottom sensors
Vacuum cleaner charging contacts



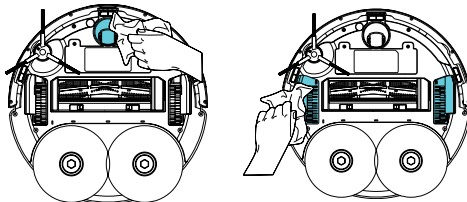
Side sensors
Charging station contacts

Cleaning the Castors

Regularly remove hair and tangles from the main and front castors. Use the supplied cleaning brush.

Cleaning the vacuum body

Wipe the outer body of the vacuum with a clean, dry cloth.



CHARGING STATION

Cleaning the Clean Water Tank

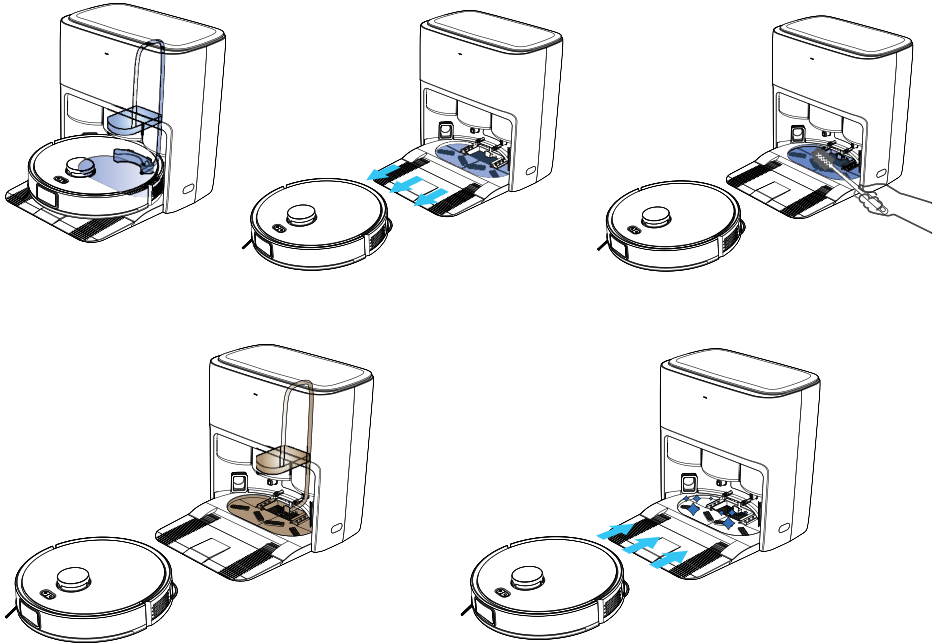
1. Open the charging station lid and remove the clean water tank.
2. Open the lid and empty the tank.
3. Wash the tank in warm water with a soft cloth. You may use some pH-neutral detergent on a soft cloth. Rinse and wipe dry.
4. Fill the tank with clean water up to the MAX line.
5. Close the lid. Make sure the lid locks have engaged and the lid is secure.
6. Return the tank into the charging station and close the lid.

Cleaning the Used Water Tank

1. Open the charging station lid and remove the used water tank.
2. Open the lid and empty the tank.
3. Wash the tank in warm water with a soft cloth. You may use some pH-neutral detergent on a soft cloth. Rinse and wipe dry.
4. Close the lid. Make sure the lid locks have engaged and the lid is secure.
5. Return the tank into the charging station and close the lid.

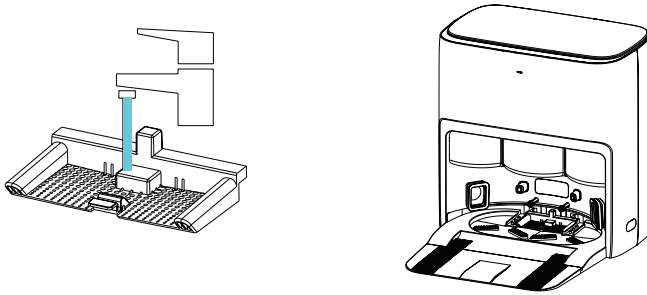
Cleaning the Charging Station Interior

1. In the app, tap Station Interior Cleaning.
2. The vacuum will automatically undock from the charging station.
3. A small amount of water will release into the station interior.
4. Using a soft brush, remove dust and dirt from the interior, especially from the soft nubs used for mop cleaning.
5. After about 3 minutes, the water will automatically drain into the used water tank. Once drained, wipe the interior with a soft, dry cloth.
6. The vacuum will then automatically return to the charging station.



Cleaning the Drain Filter

The drain filter is located at the back of the charging station interior compartment and catches solid detritus and dust that could otherwise clog the pipe that drains used water into its tank.



1. Remove the drain filter from the compartment.
2. Wash it in warm water with a soft cloth. You may use some pH-neutral detergent on a soft cloth. Rinse and wipe dry.
3. Return the filter to its place and push slightly until you hear a click.



Warning:

Do not use the charging station without a properly installed drain filter. Operating without a filter may damage the station.

Replacing the Dust Bag

1. Open the charging station lid.
2. Grasp the dust bag by its handle and pull it out of the charging station. By pulling upwards, the handle closes the dust bag inlet to prevent dust and dirt from spilling out. Dispose of the dust bag in the trash.
3. Wipe the dust bag compartment with a soft sponge.
4. Insert the new dust bag so that the aperture in the handle faces the matching aperture in the charging station frame. The dust bag handle should easily slide into rails in the station frame.
5. Close the charging station lid.



Cleaning the Charging Station Body

Wipe the outer body of the charging station with a clean, dry cloth.

Storage

Before putting the vacuum into storage, make sure it is clean, the dust container is empty and clean, and the HEPA filter is clean and properly installed. Clean out the used and clean water tanks and remove the dust bag. Store the appliance in a dry and well-ventilated place out of the reach of children or pets. Do not place any objects on the appliance.

During long storage, charge the battery once every 3 months to prolong its life.

TROUBLESHOOTING

Problem	Cause	Solution
Vacuum will not turn on.	Dead battery.	Manually set the vacuum in the charging station and let it charge.
Vacuum not charging.	Vacuum is not snug in charging station and charging contacts are not connecting.	Check the vacuum cleaner is snug in the charging station. If necessary, dock it manually in the charging station. The charge indicator lights up when the vacuum cleaner starts charging.
	Charging station not plugged in.	Plug the charging station in.
	Vacuum cleaner battery is dead due to prolonged disuse.	If charging will not start, contact an authorized service centre. During prolonged disuse, we recommend charging the vacuum regularly, at least once every three months.

Problem	Cause	Solution
Excessive charging time.	Ambient temperature too high or low. Charging may take longer outside optimal ambient temperature range.	Move the charging station to an environment with optimal temperature.
Adding vacuum cleaner to app failed.	Incorrect Wi-Fi password entered.	Enter the correct password.
	Vacuum cleaner out of router range.	Make sure the vacuum is in router range.
	Vacuum not in pairing mode.	When the vacuum is on, press and hold all control buttons on the vacuum together for 3 seconds. A brief chime will sound and the buttons will flash. This indicates the vacuum is ready to pair.
	You are on a 5 GHz Wi-Fi network.	The vacuum only supports 2.4 GHz Wi-Fi. Switch your smart device to 2.4 GHz Wi-Fi.
	Wrong device selected.	When pairing, make sure to select the correct device name corresponding to the vacuum.
Excessively noisy operation.	Side brush or central rotary brush are blocked.	Remove the blockage.
	Suction power set to maximum.	This is normal behaviour.
	Blocked castors.	Remove the blockage.
Poor suction power.	Full dust bag.	Replace the dust bag.
	HEPA filter is dirty.	Clean the HEPA filter.
	Side brush or central rotary brush are blocked.	Remove the blockage.
	Charging station suction aperture blocked.	Clean the suction aperture.
Vacuum failed to complete cleaning plan.	Dead battery. Scheduled cleaning will not start if the vacuum has less than 30% charge.	Charge the vacuum.
	App set to "Do Not Disturb".	Cancel "Do Not Disturb" mode in the app.
	Another cleaning plan was already scheduled for the same time, causing the new plan to be cancelled.	Do not set new cleaning tasks for periods when cleaning is already scheduled.

Problem	Cause	Solution
Vacuum failed to resume cleaning after charging.	App set to “Do Not Disturb”.	Cancel “Do Not Disturb” mode in the app.
	If the vacuum was manually placed in the charging station, cleaning will not resume automatically.	Allow the vacuum to dock with the charging station on its own.
Vacuum cannot find charging station after cleaning was interrupted or after manual repositioning.	Cleaning interruptions and significant manual relocations force the generation of a new household map, which may cause the vacuum to fail to locate the charging station.	Manually dock the vacuum in the charging station.
Vacuum cleaner keeps circling or repeatedly cleaning the same spot, or keeps avoiding a spot.	Foreign objects on the floor are preventing the vacuum cleaner from carrying out its routine.	Before cleaning, arrange room(s) so that the vacuum cleaner can clean the maximum amount of space.
No map in app.	When the vacuum cleaner is moved manually, the home map may be lost.	If the map was previously saved, it can be manually restored in the app.
Side brush keeps falling out.	Side brush not attached correctly.	Remove the side brush and attach it to the pin at the bottom of the vacuum cleaner. Correct locking is indicated by a click.
Mop holder falls out during cleaning.	Holder is not attached properly.	When attaching the holder, push it gently into the vacuum body until you hear a click.
Mop holder not rotating.	Mop holder jammed by foreign object.	Remove the blockage.
Vacuum cleaner cannot find and park in charging station.	Charging station not positioned correctly.	Position the charging station so it is freely accessible.
	Charging station not plugged in.	Keep the charging station plugged in.
	Charging station was moved while vacuum was cleaning.	Do not move the charging station during cleaning.
	Vacuum cleaner was started away from charging station.	Only start the vacuum cleaner when parked in the charging station.
	Path to charging station blocked by foreign object.	Remove foreign objects that prevent the vacuum cleaner from parking in the charging station.

Problem	Cause	Solution
Vacuum cleaner returned to charging station before cleaning was completed.	Charge level fell too low and vacuum cleaner needed to recharge.	Let the vacuum cleaner charge. It will resume cleaning once charged.
	Too many obstacles on the cleaning route that the vacuum cleaner has to go around or under which it cannot clean.	Before cleaning, arrange room(s) so that the vacuum cleaner can clean the maximum amount of space.
Vacuum cleaner got stuck while cleaning.	Vacuum cleaner has become tangled in the power cord of another appliance, curtain, high-pile carpet, etc.	Release the vacuum cleaner and move it manually to an open spot.
	Vacuum cleaner drove into a low space (e.g. under furniture) and became stuck.	Manually free the vacuum cleaner. To keep this from repeating, mark the spot in the app as a no-go area.
Vacuum follows an erratic path, makes detours, cleans some places repeatedly while skipping others.	Vacuum generated a bad map due to crossing obstacles or attempting to climb stairs or pass thresholds.	Let the vacuum clean a single room only. After cleaning, the vacuum cleaner returns to where it started.
	Obstacles on floor, e.g. cables, affect the vacuum's path.	Remove foreign objects, obstacles, etc. from the floor before starting the cleaning process. If the vacuum previously skipped these areas, it will clean them automatically.
	Floor is too slippery, waxed or polished, causing castors to slip.	Wait until the floor has dried and is walkable again.
	The vacuum may not be able to reach some parts of the home.	We recommend arranging furniture and other items so that the vacuum can clean the largest possible area.
Excessive app loading time.	Vacuum has poor Wi-Fi reception.	Check the Wi-Fi coverage around your home.
AI camera fails to recognize objects.	Camera lens is dirty.	Clean the lens.
Firmware update failed.	Vacuum ran out of battery charge while away from charging station.	Before updating firmware, make sure the vacuum is at least 50% charged.

Problem	Cause	Solution
After docking with the charging station, the dust container was not automatically emptied.	Charging station lid is open.	Close the charging station lid.
	Dust bag is not mounted.	Mount the dust bag.
	When the vacuum is manually moved to the charging station, the dust container is not automatically emptied.	Let the vacuum cleaner locate and dock with the charging station on its own. The dust container will then automatically empty.
	Last cleaning was wipe only.	After wipe-only programmes, the dust container will not be emptied automatically. Select a vacuum or vacuum and wipe programme.
	Dust container cleaning frequency was set to "Never" in the app.	Set a cleaning frequency other than "Never".
	Dust container cleaning frequency was set to "Every other cleaning cycle".	Set a higher cleaning frequency.
	App set to "Do Not Disturb".	Cancel "Do Not Disturb" mode in the app.
Dust container was only partially emptied.	Two cleaning cycles were completed and the dust container emptied twice in quick succession.	In such circumstances, the container may not be fully emptied the second time.
	Full dust bag.	Replace the dust bag.
	Charging station suction aperture blocked.	Clean the suction aperture.
Dust bag compartment in charging station is dirty.	Small dust particles have clogged the dust bag compartment, e.g. when removing a full bag.	Wipe the dust bag compartment with a clean cloth.
	Dust bag is ripped.	Wipe the dust bag compartment with a clean cloth. Insert a new dust bag.
Vacuum button backlight is off.	Button backlight was turned off in the app.	Use app to turn backlight on.
Vacuum wipes with cold water.	Warm wiping was not selected in the app.	Activate warm water wiping in the app.

If the problem is not listed in the table above or if it persists, turn off the appliance, unplug it from the mains, then contact an authorized service centre.

Voice Alerts

If a fault occurs during operation, the buttons on the vacuum cleaner will flash red and a warning will sound. See the table below for the meaning and solutions.

Message	Solution
Laser module obscured. Remove obscuring item and try again.	Laser module blocked or covered by foreign object. Remove the object or move the vacuum manually to another location.
Bumper stuck. Free the vacuum and try again.	Bumper and side sensors blocked or covered by foreign object. Tap the bumper or otherwise remove the foreign object, or move the vacuum manually to another location.
No castor traction. The vacuum needs to be moved manually.	Vacuum has stopped and needs to be manually moved to a new location. Check the fall sensors at the bottom for dirt and clean them as necessary.
Clean the fall sensors.	Vacuum has stopped and needs to be manually moved to a new location. Check the fall sensors at the bottom for dirt and clean them as necessary.
Centre rotary brush is stuck.	The centre rotary brush is blocked by a foreign object. Remove the blockage.
Side rotary brush is stuck.	The side rotary brush is blocked by a foreign object. Remove the blockage.
Blocked castor.	A castor is blocked by a foreign object. Remove the blockage.
Vacuum stuck.	The vacuum cleaner became stuck in a corner, around furniture, etc. Move furniture or other obstacles so the vacuum can free itself, or move the vacuum manually to a new location.
Dust bag missing.	Insert a new dust bag or check current bag is installed correctly.
Dead battery.	The vacuum battery is nearly dead. Let the vacuum charge to at least 30% before cleaning.
Battery error. Turn off the vacuum and let it rest for a while.	Battery temperature too high or low. Wait for the battery temperature to level off.
Wipe the right-side wall sensor.	The wall sensor is dirty or not working properly.
Place the vacuum on a level floor and try again.	The vacuum detected an uneven surface under itself. Place the vacuum on a level floor.
Turbine error. Reset the vacuum.	The vacuum turbine may be malfunctioning. Switch the vacuum off, then back on after a while.
Remove the vacuum from the restricted zone and try again.	Vacuum has entered a restricted zone. Move the vacuum out of the restricted zone.
Internal error. Reset the vacuum.	The vacuum's operating system detected an internal error. Switch the vacuum off, then back on after a while.

Message	Solution
Clean water tank not inserted in charging station.	Insert the clean water tank into the charging station or check it is installed correctly.
Used water tank not inserted in charging station.	Insert the used water tank into the charging station or check it is installed correctly.
Drain filter not installed.	The drain filter at the rear of the charging station's interior compartment is not installed or is not installed correctly. Install the filter and push on it slightly until you hear a click.
Dust bag not installed.	Insert the dust bag or check that it is mounted correctly.
Clean water tank is empty.	Refill the tank.
Used water tank is full.	Empty and clean the used water tank.
Water dispenser error.	The vacuum or charging station contacts, the rear lens on the vacuum, or the central lens on the charging station are dirty or blocked by a foreign object, causing signal loss and compromising the automatic water tank refill process. Wipe the charging contacts, the vacuum rear lens and the station central lens to remove potential problem sources.
Mop cleaning error.	The vacuum or charging station contacts, the rear lens on the vacuum, or the central lens on the charging station are dirty or blocked by a foreign object, causing signal loss and compromising the automatic water tank refill process. Wipe the charging contacts, the vacuum rear lens and the station central lens to remove potential problem sources.
Dust container cleaning error.	The vacuum or charging station contacts, the rear lens on the vacuum, or the central lens on the charging station are dirty or blocked by a foreign object, causing signal loss and compromising the automatic water tank refill process. Wipe the charging contacts, the vacuum rear lens and the station central lens to remove potential problem sources.
Drying error.	The vacuum or charging station contacts, the rear lens on the vacuum, or the central lens on the charging station are dirty or blocked by a foreign object, causing signal loss and compromising the automatic water tank refill process. Wipe the charging contacts, the vacuum rear lens and the station central lens to remove potential problem sources.

If the problem persists and the vacuum button backlight keeps flashing red, unplug the charging station from the mains and contact an authorized service centre.



Note:

Due to ongoing software updates, the voice alerts transcribed here may be somewhat differently worded than the alerts played by your appliance. Regardless of potential wording differences, the meaning of the alerts and the solutions remain the same.

Vielen Dank, dass Sie sich für ein Gerät der Marke SIGURO entschieden haben. Wir sind dankbar für Ihr Vertrauen und freuen uns, Ihnen das Gerät auf den folgenden Seiten vorzustellen und Sie mit all seinen Funktionen und Verwendungszwecken vertraut zu machen.

Wir glauben an ein faires und verantwortungsvolles Unternehmen und arbeiten daher nur mit Lieferanten zusammen, die unsere strengen Kriterien zum Schutz der Interessen der Mitarbeiter, zur Verhinderung von Missbrauch und fairen Arbeitsbedingungen erfüllen.

Wenn Sie Hilfe bei der umfassenden Wartung oder Reparatur des Produkts benötigen, die einen Eingriff in die Innenteile erfordert, stehen Ihnen unser autorisierter Kundendienst unter der E-Mail-Adresse siguro@alza.cz oder die Hotline des Verkäufers zur Verfügung. Bei der Lösung von Problemen mit dem Produkt haben wir diese Kontaktstellen vereinheitlicht. Die oben genannten Kontakte können auch bei Beschwerden oder Nachgarantieservice genutzt werden.

Die aktuellste Version des Benutzerhandbuchs finden Sie unter www.siguro.net.

SICHERHEITSHINWEISE



Lesen Sie vor der Verwendung sorgfältig dieses Benutzerhandbuch durch und bewahren Sie es für den künftigen Gebrauch auf.

1. Dieses Gerät können Kinder im Alter von 8 Jahren und älter sowie Personen mit verminderten physischen, sensorischen und mentalen Fähigkeiten oder mangelnden Erfahrungen und Kenntnissen benutzen, sofern sie beaufsichtigt werden oder über die sichere Verwendung des Geräts unterwiesen wurden und die möglichen Gefahren verstehen.
2. Kinder dürfen nicht mit dem Gerät spielen.
3. Die Reinigung und Wartung, die durch den Benutzer vorgenommen wird, darf nicht von unbeaufsichtigten Kindern durchgeführt werden.

4. Wenn das Netzkabel oder die Ladestation beschädigt ist, muss es vom Hersteller, seinem Servicetechniker oder einer ähnlich qualifizierten Person ersetzt werden, um gefährliche Situationen zu vermeiden. Es ist verboten, das Gerät mit einem beschädigten Netzadapter oder einer beschädigten Ladestation zu verwenden.
5. Trennen Sie vor der Reinigung oder Wartung das Gerät vom Stromnetz und schalten Sie es mit dem Hauptschalter aus.
6. Das Gerät darf nur mit der Ladestation und dem Netzadapter verwendet werden, die mit dem Gerät geliefert wurden.
7. **WARNUNG:** Verwenden Sie die Ladestationen oder den Netzadapter zum Laden von Akkus oder Geräten, die nicht für diesen Zweck vorgesehen sind.
8. Dieses Gerät ist für das Saugen von Staub und Schmutz in Haushalten, Büros und ähnlichen Räumen vorgesehen. Verwenden Sie es nicht in einer industriellen Umgebung oder im Freien.
9. Das Gerät ist nicht für das Saugen von Wasser bestimmt und darf daher nicht in feuchten oder nassen Räumen wie Waschküchen, Badezimmern oder in der Nähe von Schwimmbecken verwendet werden. Der Kontakt mit Feuchtigkeit zerstört die interne Elektronik des Staubsaugers.
10. Verwenden Sie das Gerät nicht zum Staubsaugen von:
 - schwelenden Zigaretten, brennenden oder entflammaren Gegenständen, Streichhölzern oder heißer Asche;
 - Wasser und anderen Flüssigkeiten;
 - scharfen Gegenständen wie Scherben, Nadeln, Stecknadeln usw.;
 - Mehl, Putz und andere Baumaterialien;
 - größeren Papierstücke oder Plastiktüten, die leicht die Ansaugöffnung blockieren können.
11. Vergewissern Sie sich vor den Stecker des Netzadapters in die Steckdose stecken, dass die auf dem Typenschild angegebene Eingangsspannung mit der Netzspannung der Steckdose übereinstimmt.
12. Stecken Sie den Netzadapter nur in eine ordnungsgemäß geerdete Steckdose. Verwenden Sie kein Verlängerungskabel.
13. Sorgen Sie dafür, dass das Netzadapterkabel nicht über scharfe Gegenstände führt. Es ist wichtig, dass das Netzkabel nicht über die Tischkante hängt oder eine erhitzte oder heiße Oberfläche berührt.
14. Ziehen Sie den Netzadapter aus der Steckdose, indem Sie am Stecker ziehen. Durch Ziehen des Kabels kann es zur Beschädigung des Adapters oder der Steckdose kommen.

15. Berühren Sie den Adapter oder sein Kabel nicht mit nassen Händen.
16. Halten Sie das Gerät und den Netzadapter trocken und außerhalb der Reichweite von Kindern.
17. Stellen Sie das Gerät nicht der direkten Sonneneinstrahlung aus und platzieren Sie es nicht in der Nähe eines offenen Feuers oder Geräten, die eine Wärmequelle darstellen.
18. Verwenden Sie nur das mit dem Gerät gelieferte oder vom Hersteller empfohlene Originalzubehör.
19. Vergewissern Sie sich vor jedem Gebrauch, dass das Gerät richtig zusammengebaut ist und der Staubbehälter sowie die Filtereinheit installiert sind.
20. Vergewissern Sie sich vor jedem Gebrauch, dass die Eingangstür geschlossen ist. Entfernen Sie vom Boden Kleidung, Papier, Spielzeug, Strom- oder Verlängerungskabel und andere Gegenstände, die vom Staubsauger aufgesaugt oder erfasst werden könnten. Heben Sie Vorhänge und Gardinen, die bis zum Boden reichen, an, damit sie sich nicht im Staubsauger verfangen können.
21. Vergewissern Sie sich, dass während des Betriebs nicht die Luftaustrittsöffnungen nicht verdeckt sind oder das Saugloch nicht blockiert ist. Andernfalls könnten sie beschädigt werden.
22. Verwenden Sie das Gerät nicht auf engen, erhöhten Flächen wie Tischen, Schränken usw. Bei Platzmangel zum Manövrieren könnte es herunterfallen und beschädigt werden.
23. Stellen Sie keine Gegenstände auf das Gerät und steigen oder setzen Sie sich nicht darauf. Seien Sie besonders vorsichtig, wenn das Gerät in der Nähe von Kindern und Haustieren betrieben wird.
24. Nehmen Sie das Gerät nicht auseinander, modifizieren Sie es nicht und reparieren Sie es nicht. Es enthält keine Teile, die vom Benutzer selbst repariert werden könnten. Alle übrigen Wartungsarbeiten, die nicht in diesem Handbuch beschrieben sind, sollten von einem autorisierten Servicecenter durchgeführt werden. Benutzen Sie das Gerät nicht, wenn es nicht richtig funktioniert, beschädigt ist, ins Wasser gefallen ist oder wenn die Ladestation oder der Netzadapter beschädigt ist.
25. Befolgen Sie bei der Reinigung und Wartung in dieser Bedienungsanleitung angeführten Anweisungen.
26. Um einen Stromschlag zu vermeiden, setzen Sie das Gerät, die Ladestation oder den Adapter weder tropfenden noch spritzenden Wasser aus und tauchen Sie es nicht in Wasser oder andere Flüssigkeiten.
27. Wenn Sie das Gerät längere Zeit nicht benutzen, nehmen Sie den Akku heraus. Vergewissern Sie sich vor dem Herausnehmen des Akkus, dass das Gerät mit dem Hauptschalter ausgeschaltet und vom Stromnetz getrennt ist.
28. Drücken Sie nicht auf das Laser-Navigationsmodul und versuchen Sie nicht, die Abdeckung anzuheben. Das Modul könnte beschädigt werden.

Laser – Klasse I



Laserprodukt der Klasse 1

Der Lasersensor entspricht der Laserschutzklasse I nach EN 60825-1.

Wellenlänge: 775–800 nm

Bündeldivergenz: 13°

Impulslänge und Impulswiederholrate (oder Beschreibung der Impulsfolge bei unregelmäßigen Strahlungsmustern): 100 µs, 3000 bis 4000 Hz

Maximale Leistung oder Ausgangsenergie: 3 mW

Beachten Sie bei der Verwendung, Manipulation und Wartung des Saugroboters mit dem Lasersensor stets die folgenden Hinweise:

- Schalten Sie den Saugroboter vor jeder Manipulation am Hauptschalter aus.
- Richten Sie den Laserstrahl nicht auf Personen.
- Schauen Sie nicht in den direkten oder reflektierten Laserstrahl.
- Modifikationen oder Reparaturen am Lasersensor außerhalb einer autorisierten Servicestelle sind verboten.



Warnung:

Die Nichteinhaltung der in dieser Bedienungsanleitung angeführten Gebrauchs- und Wartungsanweisungen kann zu gefährlichen Situationen führen!

ENTSORGUNG DES AKKUS



Das Produkt ist mit einem eingebauten Akku ausgestattet. Dieser muss entfernt werden, bevor das Produkt auf umweltfreundliche Weise entsorgt oder an einer Sammelstelle abgegeben. Der Akku darf nur von einer qualifizierten Person in einem autorisierten Kundendienst ausgebaut werden. Schalten Sie das Produkt ein und warten Sie, bis der Akku vollständig entladen ist. Nehmen Sie ihn dann aus dem Produkt heraus. Der Akku enthält umweltschädliche Stoffe und gehört daher nicht in den Hausmüll. Geben Sie den Akku zur umweltgerechten Entsorgung an einer geeigneten Sammelstelle ab.



Schutzklasse vor Stromschlag: II

Der Schutz gegen Stromschlag wird durch eine doppelte oder verstärkte Isolierung gewährleistet.



Das Symbol **Nur für die Verwendung im Innenbereich geeignet** weist darauf hin, dass das Produkt nicht für den Außenbereich vorgesehen ist.

Das Unternehmen Alza.cz, a. s. erklärt hiermit, dass die Funkanlagen des Typs SGR-RV-S900B mit der Richtlinie 2014/53/EU übereinstimmt.

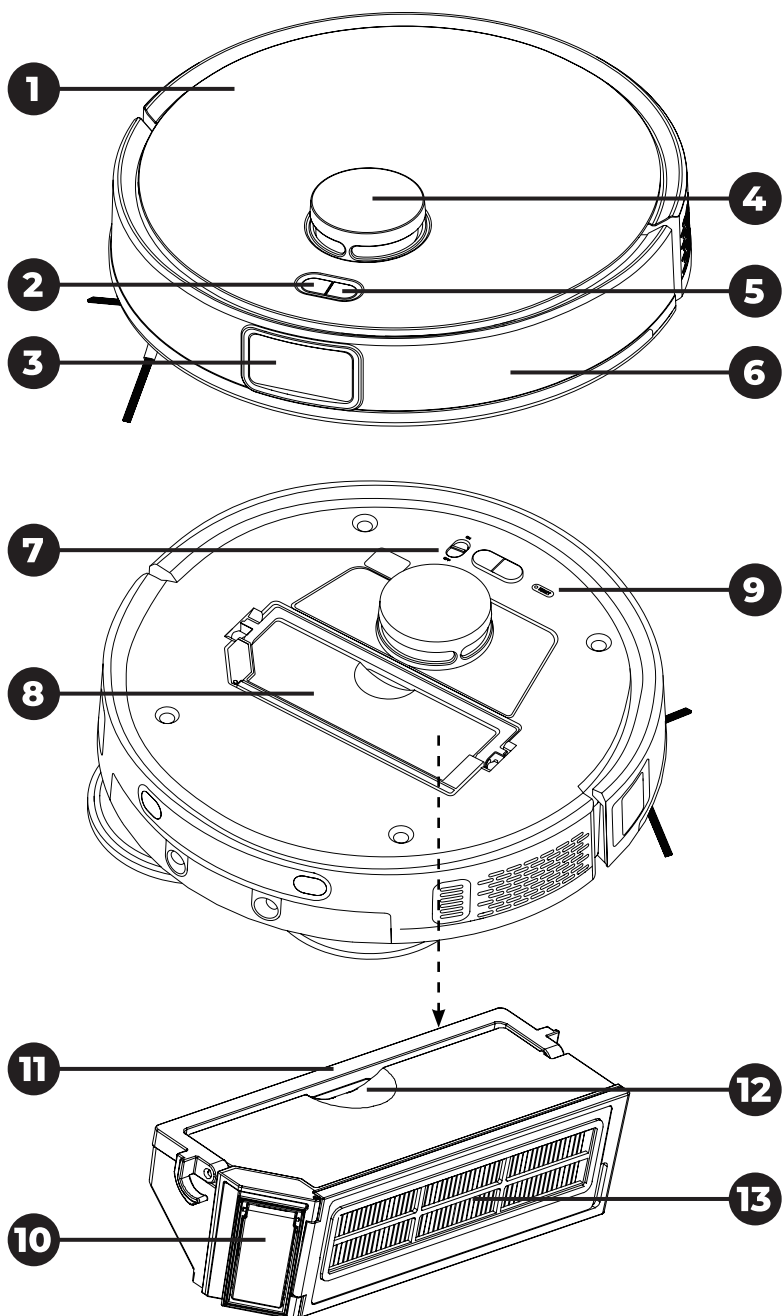


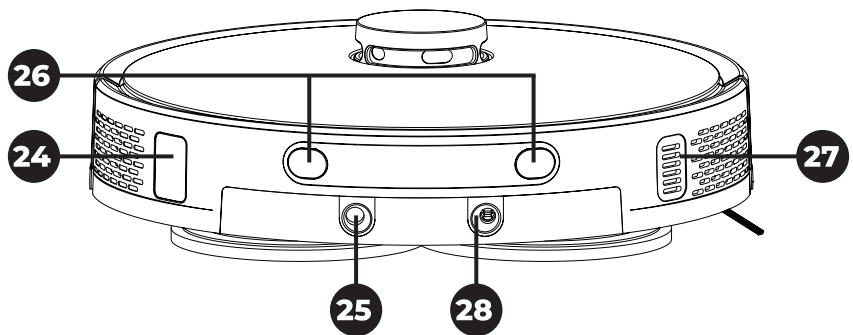
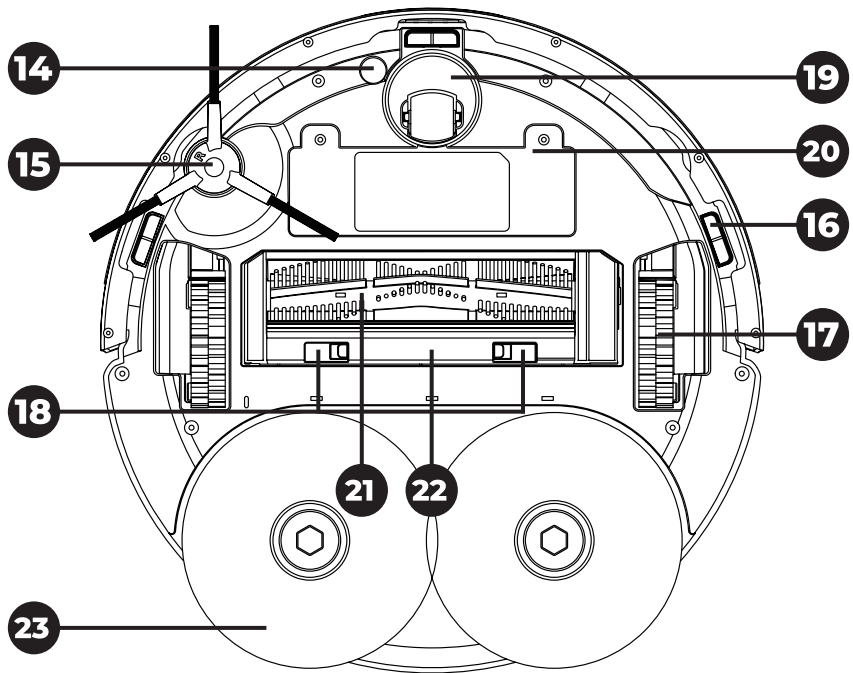
Scannen Sie diesen QR-Code, um die App herunterzuladen.




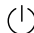
Scannen Sie diesen QR-Code, um der App einen Staubsauger hinzuzufügen.

ÜBERSICHT

A



Roboter-Staubsauger (Abb. A)

- 1 Obere Abdeckung
- 2 Taste  für die Rückkehr in die Ladestation
- 3 AI-Kamera
- 4 Lasermodul
- 5 Taste  zum Ein- / Ausschalten des Staubsaugers und zum Starten / Stoppen der automatischen Reinigung
- 6 Anti-Kollisionssensor
- 7 AI-Kamera-Schalter
- 8 Staubbehälter
- 9 Taste RESET
- 10 Staubbehälter-Einlass
- 11 Griff des Staubbehälters
- 12 Abdeckung für Staubbehälter
- 13 HEPA-Filter
- 14 Teppichsensor
- 15 Seitliche rotierende Bürste
- 16 Anti-Sturz-Sensoren
- 17 Räder
- 18 Schösser des Schutzrahmens
- 19 Vorderes Rad
- 20 Abdeckung des Akkufachs
- 21 Mittlere rotierende Bürste
- 22 Schutzrahmen für rotierende Bürste
- 23 Runde Wischmopps
- 24 Auslassöffnung für Staubbehälter
- 25 Öffnung zum Befüllen des Wasserbehälters
- 26 Ladekontakte
- 27 Lüftungsöffnung
- 28 Eingabe der Positionierung

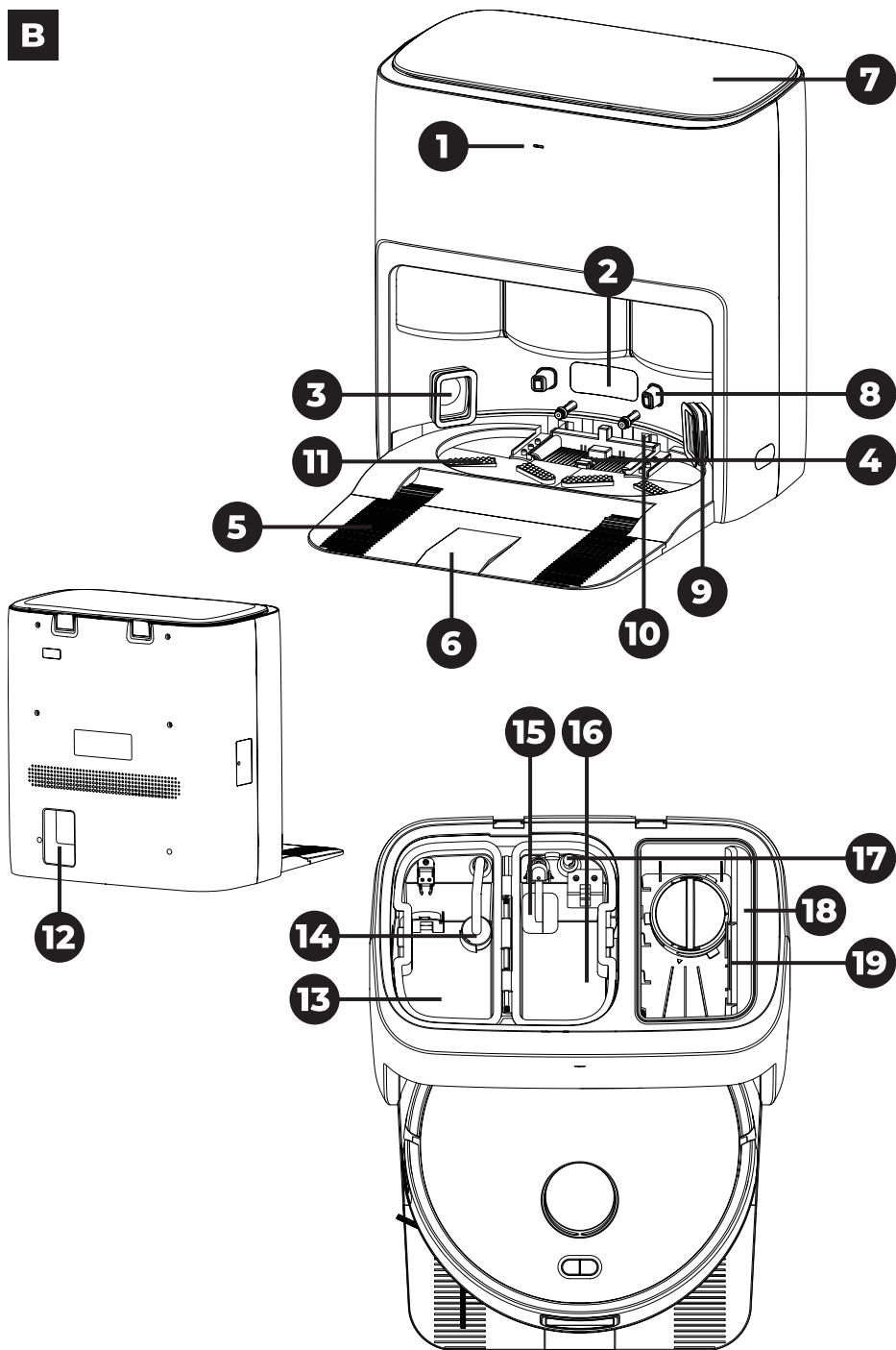
Nicht abgebildet: Netzteil, Mopphalter, Staubbeutel, Reinigungsbürste

Bemerkung:



Der Saugroboter SGR-RV-S900S ist mit einer AI-Kamera ausgestattet, die in Verbindung mit Sensoren und Lidar eine perfekte Bewegung und Orientierung im Raum sowie die Erkennung von Hindernissen und Objekten auf dem Boden gewährleistet. Die AI-Kamera ist nicht mit einer Aufnahmefunktion, Audio- oder Videoaufzeichnung ausgestattet.

B



Ladestation (Abb. B)

- 1 LED-Anzeige**
- 2 Signal zum Aufladen**
- 3 Luftauslassöffnung**
- 4 Wasserauslass**
- 5 Platz für Räder**
- 6 Ladestation-Rampe**
- 7 Abdeckung der Ladestation**
- 8 Ladekontakte**
- 9 Öffnung zum Absaugen des Inhalts des Staubbehälters**
- 10 Luftauslass zum Trocknen**
- 11 Bereich zum Reinigen der Wischmopps**
- 12 Buchse für den Anschluss des Netzsteckers**
- 13 Sauberer Wasserbehälter**
- 14 Schaumstofffilter (reinigende und sterilisierende Wirkung)**
- 15 Anzeige für vollen Schmutzwasserbehälter**
- 16 Schmutzwasserbehälter**
- 17 Abfluss für Schmutzwasser**
- 18 Bereich für Staubbeutel**
- 19 Staubbeutel-Eingang**

Liste des Zubehörs

- Roboter-Staubsauger
- Ladestation
- Netzkabel
- Rotierende Bürste
- Reinigungsbürste
- Wischmopps
- Staubbeutel

TECHNISCHE PARAMETER

Staubsauger	Akku	Li-Ion 14,4 V, 5000 mAh
	Eingangsspannung	23,65 V, 2,5 A
	Ladezeit	4–5 Stunden
	Betriebszeit	90 minuten
	Abmessungen (Durchmesser x Höhe)	35 × 10,5 mm
	Gewicht	3,7 kg (Roboter-Staubsauger) 12,4 kg (Roboter-Staubsauger + Ladestation)
	Volumen des Staubbehälters	400 ml
	Kapazität des Wasserbehälters	80 ml
Ladestation	Geräuschpegel	55–70 dB
	Eingangsspannung	220–240 V~
	Nennleistung	24 W (beim Laden) 80 W (beim Trocknen) 800 W (beim Erhitzen von Wasser) 1000 W (beim Entleeren des Staubbehälters)

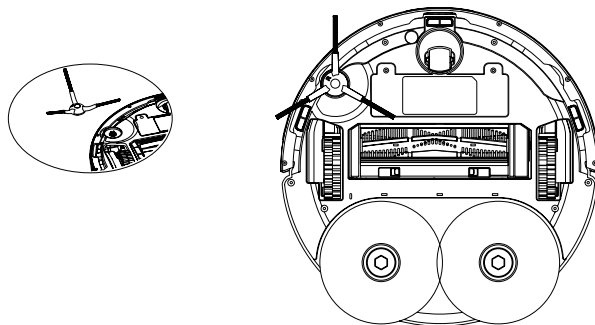
VORBEREITUNG VOR DER VERWENDUNG

Vor der Erstverwendung

1. Nehmen Sie das Gerät und das Zubehör aus der Verpackung heraus. Vergewissern Sie sich, dass alle Komponenten entfernt wurden, bevor Sie die Verpackung entsorgen. Überprüfen Sie, ob das Gerät nicht beschädigt ist.
2. Entfernen Sie alle Aufkleber, Schutzvorrichtungen und Etiketten von der Vorderseite, der Stoßstange, dem Staubbehälter-Bereich und der Ladestation.

Installation der rotierenden Bürste

1. Drehen Sie den Staubsauger auf den Kopf.
2. Setzen Sie die rotierende Bürste auf den Halter an der Unterseite des Staubsaugers auf, bis Sie ein Klicken hören.
3. Drehen Sie den Staubsauger in die Betriebsposition.



Die rotierende Bürste ist für das Saugen von glatten Bodenbelägen vorgesehen. Sie sorgt für ein effektives Saugen von Staub und Schmutz in Ecken, entlang Wänden und Möbeln. Es ist wichtig, die rotierende Bürste zu demontieren, bevor Sie den Staubsauger auf dem Teppich verwenden. Gehen Sie in umgekehrter Reihenfolge vor.

Ladestation

Die Ladestation dient:

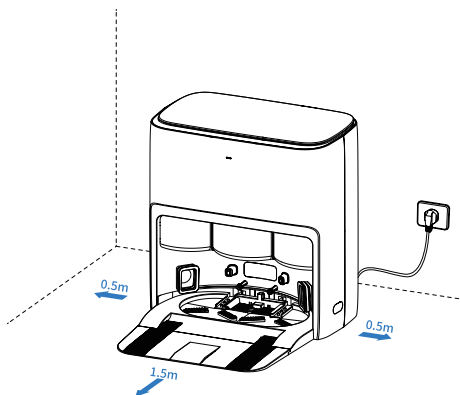
- zum automatischen Laden des Staubsaugers;
- zum Entleeren des Staubbehälters;
- zum Nachfüllen des Wasserbehälters;
- zum Reinigen und Trocknen der Wischmopps.

Aus diesen Gründen muss sie frei zugänglich sein, damit der Staubsauger sie mühelos finden und in ihr parken kann. Stellen Sie die Ladestation auf eine feste, waagerechte und trockene Unterlage in Reichweite einer Steckdose auf. Wir empfehlen die Ladestation an die Wand zu stellen.

Sorgen Sie um einen ausreichenden Freiraum um die Ladestation, und zwar 0,5 m auf beiden Seiten und 1,5 m vor der Station. In diesem Bereich sollten keine Hindernisse vorhanden sein, damit der Staubsauger die Station mühelos finden und dort einparken kann.

Stecken Sie den Stecker des Netzteils in die Buchse auf der Rückseite der Ladestation und stecken Sie den Stecker in eine ordnungsgemäß geerdete Steckdose. Führen Sie das Netzkabel so, dass Sie darüber nicht stolpern können, dass es sich beim Saugen nicht an der rotierenden Bürste verheddert, dass es nicht mit heißen oder scharfen Gegenständen in Berührung kommt usw.

Trennen Sie die Ladestation vom Stromnetz und bewahren Sie sie an einem sicheren Ort auf, wenn Sie den Staubsauger für längere Zeit nicht benutzen werden.



Laden des Akkus

Der Staubsauger muss vor der Erstverwendung vollständig geladen werden. Gehen Sie wie folgt vor:

1. Überprüfen Sie, ob die Ladestation richtig positioniert und an die Netzsteckdose angeschlossen ist.
2. Halten Sie die Taste (⏻) 3 Sekunden lang gedrückt, um den Staubsauger einzuschalten. Warten Sie, bis sich die Hintergrundbeleuchtung der Tasten am

Staubsauger aufleuchtet.

3. Setzen Sie den Staubsauger so in die Ladestation, dass die Ladekontakte an der Vorderseite des Staubsaugers die Ladekontakte in der Station berühren. Sobald die Kontakte verbunden sind, beginnt der Ladevorgang automatisch.
4. Während der Staubsauger geladen wird, blinkt die Hintergrundbeleuchtung der Tasten am Saugroboter langsam.
5. Sobald die Hintergrundbeleuchtung aufleuchtet, ist der Staubsauger geladen.

Wenn der Staubsauger mit der Reinigung fertig ist, sucht er automatisch die Ladestation auf, in die er parkt, um sich laden zu können und so für den weiteren Gebrauch bereit zu sein. Lassen Sie die Ladestation daher stets an eine Stromquelle angeschlossen. Sobald der Akku des Staubsaugers vollständig geladen ist, wird der Ladevorgang unterbrochen.

Wenn der Ladestand des Staubsaugers während des Staubsaugens sinkt, stoppt der Staubsauger automatisch die Reinigung und sucht die Ladestation auf, um sich laden zu können. Nach dem Aufladen startet der Staubsauger erneut und setzt die Reinigung dort fort, wo er aufgehört hat.

Bemerkung:



Wenn der Staubsauger die Ladestation nicht finden kann, kehrt er an den Ort zurück, an dem er die Reinigung beendet evtl. unterbrochen hat. Sie müssen den Staubsauger dann manuell in die Ladestation einsetzen. Wenn dem Staubsauger auf der Suche nach der Ladestation der Strom ausgeht, bleibt der Staubsauger an diesem Ort. Selbst dann müssen Sie ihn manuell in die Ladestation einsetzen.

Bemerkung:



Wenn Sie den Staubsauger längere Zeit nicht benutzen, ist es wichtig, ihn alle 2 bis 3 Monate aufzuladen. Auf diese Weise verlängern Sie die Lebensdauer der eingebauten Akkus.

Warnung:



Bewegen Sie die Ladestation nicht, während der Saugroboter in Betrieb ist.

Status und Bedeutung der Hintergrundbeleuchtung der Tasten am Saugroboter

Die Hintergrundbeleuchtung der Taste blinkt langsam, der Saugroboter wird geladen. Die Hintergrundbeleuchtung der Taste leuchtet, der Saugroboter ist geladen und einsatzbereit.

Status und Bedeutung der LED-Anzeige an der Ladestation

Die LED-Anzeige leuchtet blau, normaler Zustand der Ladestation.
Die LED-Anzeige leuchtet rot, ein Fehler in der Ladestation.

Füllen des Reinwasserbehälters

Der Reinwasserbehälter sollte mit sauberem, kaltem Wasser gefüllt werden, wenn Sie den Saugroboter zum Saugen und Wischen des Bodens oder nur zum Wischen des Bodens verwenden.

1. Öffnen Sie die Abdeckung der Ladestation und nehmen Sie den Reinwasserbehälter heraus.
2. Öffnen Sie den Abdeckung des Behälters und gießen Sie sauberes, kaltes Wasser bis zur MAX-Markierung ein.

3. Schließen Sie die Abdeckung des Behälters. Vergewissern Sie sich, dass die Schlösser an der Abdeckung einrasten und die Abdeckung fest sitzt.
4. Geben Sie den Behälter wieder in die Ladestation und schließen Sie die Abdeckung.
5. Wenn der Wasserstand zu niedrig ist, erscheint auf Ihrer Smartphone-App ein Hinweis zum Nachfüllen. Gehen Sie beim Nachfüllen des Behälters genauso vor.



Warnung:

Füllen Sie den Behälter nur mit sauberem, kaltem Wasser. Füllen Sie ihn nicht mit warmem oder heißem Wasser. Geben Sie keine Reinigungsmittel oder Chemikalien hinzu. Es drohen schwere Schäden am Produkt.



Bemerkung:

In der App können Sie die Häufigkeit des Einweichens des Wischmopps, des Wischens mit heißem Wasser usw. einstellen.

Vorbereitung des Raums vor Beginn der Reinigung

Vor der Reinigung sollten mehrere Schritte durchgeführt werden, um eine Beschädigung des Staubsaugers, eine Beschädigung von Eigentum oder eine gefährliche Situation zu vermeiden.

1. Entfernen Sie alle Kabel und kleine Gegenstände vom Boden, in denen sich der Staubsauger verfangen könnte.
2. Beachten Sie auch dekorative und lose Teppichkanten, in denen sich der Staubsauger einfangen könnte. Der Staubsauger ist nicht zum Staubsaugen von schwarzen Teppichen mit hohem Flor oder Teppichen mit einem Flor von mehr als 26 mm vorgesehen.
3. Vermeiden Sie, dass der Staubsauger in Räume mit einer Tiefe von weniger als 70 mm eindringt, da er dort stecken bleiben könnte. Wenn nötig, verdecken Sie solche Öffnungen mit einem geeigneten Hindernis ab.
4. Der Staubsauger ist nicht zum Saugen von nassen Oberflächen vorgesehen. Setzen Sie das Gerät weder Wasser noch Feuchtigkeit aus.
5. Der Staubsauger kann Hindernisse bis zu 16 mm Höhe überwinden. Entfernen Sie bei Bedarf größere Hindernisse vom Boden.
6. Der Staubsauger ist mit Bodensensoren ausgestattet, um zu verhindern, dass er z. B. eine Treppe hinunterfällt. Die Sensoren müssen nicht richtig arbeiten, wenn der Boden schmutzig, dunkel oder eine reflektierende Farbe hat usw. Wir empfehlen daher, den Bereich, in dem Absturzgefahr droht, durch eine geeignete Barriere abzugrenzen.

Allgemeine Grundsätze der Reinigung

- In jedem Modus wählt der Saugroboter eine Route, um eine effiziente Reinigung des Raums oder Bereichs zu gewährleisten.
- Lassen Sie den Saugroboter vollständig aufladen, bevor Sie das erste Mal mit der Reinigung beginnen.
- Sie können die Reinigung mit der Taste auf dem Saugroboter oder auf Ihrer Smartphone-App starten.
- Wenn die Reinigungszeit weniger als 10 Minuten beträgt, reinigt der Saugroboter zweimal. Es handelt sich um eine normale Erscheinung.
- Wenn der Saugroboter einen niedrigen Ladezustand feststellt, stellt er die Reinigung ein und sucht die Ladestation, um sich aufzuladen. Sobald er

ausreichend aufgeladen ist, kehrt er an die Stelle zurück, an der er aufgehört hat, und setzt die Reinigung fort.

- Wenn der Saugroboter einen vollen Staubbehälter feststellt, stoppt er die Reinigung und sucht nach der Ladestation. Er parkt in der Ladestation und der Inhalt des Staubbehälters wird automatisch in den Staubbeutel in der Ladestation gesaugt. Während dieses Vorgangs können Sie ein Sauggeräusch wahrnehmen, das möglicherweise intensiver ist als bei einem normalen Saugroboter. Es handelt sich um eine normale Erscheinung.
- Wenn der Saugroboter einen niedrigen Wasserstand im Wasserbehälter feststellt, stoppt er die Reinigung und sucht nach der Ladestation, um das Wasser nachzufüllen. Er kehrt dann zu der Stelle zurück, an der die Reinigung unterbrochen wurde, und setzt die Reinigung fort.



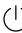
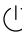

Bemerkung:

Sie können das Wassernachfüllintervall und die Wassermenge zum Einweichen der Wischmopps und Wischen des Bodens in der App auf Ihrem Smartphone einstellen.

- Im Saug- und Wischmodus kann der Saugroboter den Bodentyp erkennen. Wenn der Saugroboter über den Teppich oder einen Teppichläufer fährt, hebt er die Wischmopps automatisch, so dass Sie sie nicht manuell entfernen müssen. Wenn er wieder auf einen glatten Bodenbelag (z. B. Fliesen) fährt, legt er die Wischmopps automatisch hin und wischt weiter.
- Wir empfehlen, kurze Teppiche mit einem Flor von mehr als 12 mm, Läufer oder Matten zu entfernen, bevor Sie mit der Reinigung beginnen, oder sie in der App mit einer virtuellen Wand zu umgeben, damit der Saugroboter sie umfahren kann.
- Wenn die Reinigung abgeschlossen ist, sucht der Saugroboter die Ladestation auf. Parken Sie in ihr und der Saugroboter wird gereinigt, der Inhalt des Staubbehälters geleert und die Wischmopps gewaschen und gereinigt. Danach wird der automatische Ladevorgang gestartet.

VERWENDUNG

Einschalten/Ausschalten

Halten Sie die Taste  gedrückt, um den Staubsauger einzuschalten. Die Tasten  und  leuchten auf. Der Staubsauger ist nun einsatzbereit.

Wenn Sie den Staubsauger ausschalten möchten, halten Sie die Taste  gedrückt, bis die Tasten erlöschen. Der Staubsauger schaltet sich ab.



Bemerkung:

Der Staubsauger kann nicht ausgeschaltet werden, während er geladen wird.



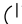
Bemerkung:

Wenn der Ladestand des Staubsaugers zu niedrig ist, lässt sich der Staubsauger nicht starten.


Standby-Modus und automatische Abschaltung

Wenn die Reinigung für länger als 10 Minuten unterbrochen wird, erlischt die Hin-

tergrundbeleuchtung der Taste und der Staubsauger geht in den Standby-Modus. Drücken Sie eine beliebige Taste, um den Staubsauger einzuschalten und ihn einsatzbereit zu machen.


Wenn der Staubsauger für mehr als 24 Stunden in den Standby-Modus versetzt wird, schaltet er sich automatisch aus. Wenn Sie ihn einschalten möchten, halten Sie die Taste  gedrückt.

Starten der automatischen Reinigung



Wenn der Staubsauger eingeschaltet ist, drücken Sie kurz die Taste . Der Staubsauger beginnt mit der automatischen Reinigung indem er zunächst um die Wände des Raumes herumfährt und dann den Raum in einer Z-förmigen Route reinigt. Der automatische Reinigungsmodus ist der Standardmodus.

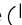
Wenn die Reinigungszeit weniger als 10 Minuten beträgt, reinigt der Staubsauger den Bereich zweimal. Es handelt sich um eine normale Erscheinung.

Starten der lokalen Reinigung


Wenn der Staubsauger eingeschaltet ist, halten Sie die Taste  3 Sekunden lang gedrückt. Der Staubsauger beginnt mit der lokalen Reinigung. Der Staubsauger wertet die aktuelle Position als Zentrum aus und reinigt eine quadratische Fläche von 1,5 × 1,5 m. Wenn der Staubsauger mit der Reinigung fertig ist, kehrt er zum Ausgangspunkt zurück.

Unterbrechung/Wiederaufnahme der Reinigung


Wenn Sie die Reinigung unterbrechen möchten, drücken Sie kurz die Taste . Wenn Sie die Reinigung fortsetzen möchten, drücken Sie erneut die Taste  und der Staubsauger nimmt die Reinigung wieder auf.

Wenn die Reinigung für mehr als 10 Minuten unterbrochen wurde, erlöschen die Tasten und der Staubsauger schläft ein. Drücken Sie eine beliebige Taste, um den Staubsauger zu aktivieren. Drücken Sie kurz die Taste , um mit der Reinigung fortzusetzen.

Den Staubsauger in die Ladestation schicken

Drücken Sie die Taste , während der Staubsauger in Betrieb ist. Nach dem Staubsaugen sucht der Staubsauger automatisch die Ladestation auf, in die er parkt, um sich laden zu können.

Kindersicherung (Tastensperre)

Wenn die Kindersicherung aktiviert ist, sind alle Bedientasten außer Betrieb, wenn der Saugroboter stillsteht. Wenn Sie die Kindersicherung aufheben möchten, halten Sie die Taste  3 Sekunden lang gedrückt.

Fehlermeldungen

Wenn während der Reinigung ein Fehler auftritt, leuchten die Tasten auf und blinken rot. Es ertönt eine Warnung. Die Lösung finden Sie im Abschnitt **Fehlerbehebung**.



Bemerkung:

Auch Fehlermeldungen werden in der App angezeigt.

Zurücksetzen des Saugroboters

Wenn keine Taste auf Drücken reagiert oder der Saugroboter sich nicht ausschalten lässt, nehmen Sie die obere Abdeckung ab und drücken Sie die Taste **RESET**. Der

Saugroboter startet automatisch neu.



Bemerkung:

Nachdem Sie den Saugroboter zurückgesetzt haben, werden die von Ihnen vorgenommenen Einstellungen (z.B. geplante Reinigung, Wi-Fi-Einstellungen usw.) auf die Werkseinstellungen zurückgesetzt. Sie müssen diese Einstellungen erneut vornehmen.



BEDIENUNG ÜBER DIE APP

Sie können den Saugroboter auch über Ihr Smartphone oder Tablet bedienen.


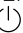
Herunterladen der App

1. Laden Sie die App Tuya Smart herunter und installieren Sie sie auf Ihrem Smartphone. Den QR-Code zum Herunterladen der App finden Sie im einleitenden Teil der Bedienungsanleitung.
2. Der Roboter-Staubsauger unterstützt Wi-Fi mit einem 2,4-GHz-Frequenzband. Wenn Sie also einen Wi-Fi-Router mit 5 GHz benutzen, müssen Sie ihn auf 2,4 GHz umstellen.
3. Erstellen Sie ein Konto und melden Sie sich bei der App an.
4. Die App führt Sie durch die Installation, Registrierung und Anmeldung.

Gerät per QR-Code hinzufügen

1. Schalten Sie den Staubsauger ein.
2. Klicken Sie in der App oben rechts auf das „+“-Symbol und wählen Sie „Gerät hinzufügen“.
3. Klicken Sie auf das Symbol [-] in der oberen rechten Ecke.
4. Scannen Sie den QR-Code, den Sie im Einleitungsteil des Handbuchs finden, oder Ist dieser QR-Code auf dem Roboterstaubsauger unter der oberen Abdeckung angebracht?
5. Klicken Sie auf „Hinzufügen zu“, um den Saugroboter zur App hinzuzufügen.
6. Wenn Sie aufgefordert werden, die Wi-Fi-Einstellungen zurückzusetzen, halten Sie gleichzeitig die Tasten  und  3 Sekunden lang gedrückt. Die Hintergrundbeleuchtung der Tasten blinkt. Vergewissern Sie sich in der App, dass die Tasten blinken.
7. Der Roboter-Staubsauger wird automatisch zur Geräteliste hinzugefügt. Klicken Sie auf „Fertig“ und die Steuerung des Roboter-Staubsaugers wird angezeigt.



Manuelles Hinzufügen

1. Schalten Sie den Staubsauger ein.
2. Klicken Sie in der App auf das Symbol „+“ in der oberen rechten Ecke und wählen Sie „Gerät hinzufügen“.
3. Wischen Sie auf dem Bildschirm nach unten zu „Manuell hinzufügen“. Wählen Sie die Kategorie „Kleine Haushaltsgeräte“ und dann „Roboter-Staubsauger (WiFi)“ aus,.
4. Wählen Sie auf dem nächsten Bildschirm das Wi-Fi-Netzwerk aus und geben Sie Ihr Passwort ein. Klicken Sie auf „Weiter“.
5. Wenn Sie aufgefordert werden, die Wi-Fi-Einstellungen zurückzusetzen, halten Sie gleichzeitig die Tasten  und  3 Sekunden lang gedrückt. Die Hintergrundbeleuchtung der Tasten blinkt. Vergewissern Sie sich in der App, dass

die Tasten blinken.

- Der Roboter-Staubsauger wird automatisch zur Geräteliste hinzugefügt. Klicken Sie auf „Fertig“ und die Steuerung des Roboter-Staubsaugers wird angezeigt.

Zurücksetzen des Wi-Fi

Um die Wi-Fi-Einstellungen zurückzusetzen, halten Sie gleichzeitig die Tasten  und  3 Sekunden lang am Roboter-Staubsauger gedrückt. Ein kurzes akustisches Signal ertönt und das Wi-Fi-Modul wird zurückgesetzt.

Setzen Sie die Wi-Fi-Einstellungen zurück, wenn:

- Sie in der App aufgefordert werden, dies zu tun;
- der Roboter-Staubsauger weder automatisch noch manuell zur Liste der Geräte in der App hinzugefügt wurde;
- Sie Ihr Wi-Fi-Passwort geändert/vergessen haben;
- die Wi-Fi-Konfiguration geändert wurde;
- Sie das Gerät zu einem anderen Benutzerkonto hinzufügen möchten.

Lautstärke und Sprache des Roboter-Staubsaugers

Die Steuerung des Roboter-Staubsaugers wird von einer Sprachnachricht begleitet. Die Standardsprache ist Englisch. Sie können die Sprache der Nachricht, ihre Lautstärke ändern oder die Nachricht direkt in der App abschalten.

In der App verfügbare Funktionen

In der App können Sie erweiterte Einstellungen für den Roboter-Staubsauger, Reinigungsmodi usw. vornehmen. Zu den Funktionen, die über die App gesteuert werden können, gehören:

- Wahl zwischen Staubsaugen und Staubsaugen mit Bodenwischen;
- Intervall zum Nachfüllen des Wasserbehälters und Einweichen der Wischmopps;
- Einstellung des Staubsaugersmodus – Leise/Standard/Max;
- Auswahl der Reinigungsmodi: Reinigung nach Raum, Reinigung eines ausgewählten Bereichs, Reinigung einer ausgewählten Stelle usw.;
- Einstellung der Sperrbereiche / Erstellen einer virtuellen Wand;
- Reinigen der Wischmopps mit warmem Wasser;
- Erstellen einer Karte für das Haus, ihre Aktualisierung in Echtzeit und ihr Zurücksetzen;
- Planung der Reinigung zu einer bestimmten Zeit;
- Regulierung der Wasserabgabe beim Wischen des Bodens;
- Einstellung des Modus „Nicht stören“;
- Warn- und Fehlermeldungen, usw.

REINIGUNG UND WARTUNG

Schalten Sie das Gerät immer aus, ziehen Sie den Stecker des Netzadapters aus der Steckdose, bevor Sie es reinigen oder warten.

Wenn Sie eine möglichst lange Lebensdauer Ihres Staubsaugers und eine effiziente Reinigung gewährleisten möchten, ist es wichtig, ihn nach jedem Gebrauch zu reinigen.

**Warnung:**

Tauchen Sie den Staubsauger, die Ladestation und den Netzadapter niemals in Wasser oder eine andere Flüssigkeit.

Verwenden Sie keine Topfkratzer aus Kunststoff oder Metall, grobe Reinigungsmittel, Chemikalien, Benzin, Lösungsmittel oder ähnliche Stoffe, um Teile des Geräts zu reinigen. Es könnte zu ernsthaften Schäden an der Oberfläche kommen.

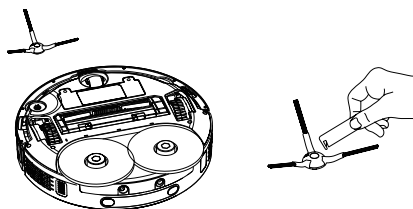
Empfohlene Reinigungs- und Wartungsintervalle

Halten Sie den Saugroboter und seine Teile sauber. Dies verlängert seine Lebensdauer und sorgt für eine effiziente Reinigung und konstante Leistung. Die folgende Tabelle zeigt die empfohlenen Reinigungs- und Wartungsintervalle für den Saugroboter und seine Teile.

Teil des Saugroboters	Reinigungsintervall	Intervall für die Ersetzung
Wischmopp	Manuelle Reinigung nach Bedarf. Automatische Reinigung nach jedem Gebrauch.	Alle 3 Monate, je nach Häufigkeit der Anwendung.
Staubbeutel	--	Wenn die Warnung vor einem vollen Staubbeutel erscheint, oder alle 2 bis 3 Monate.
Seitliche rotierende Bürste	Alle 2 Wochen.	Alle 3 bis 6 Monate.
Mittlere rotierende Bürste	Jede Woche.	Alle 6 bis 12 Monate.
AI-Kamera Räder Sensoren Ladekontakte	Jede Woche.	--
Bereich zum Reinigen der Wischmopps	Alle 2 Wochen.	--
Wasserbehälter.	Jeden Monat.	--
Schmutzwasserbehälter	Nach jedem Wischen des Bodens und Reinigen der Wischmopps.	--
Staubbehälter	Alle 2 Wochen.	--
Ladestation	Alle 2 Wochen.	--

SAUGROBOTER**Reinigung der Rotationsbürste**

1. Demontieren Sie die Bürste aus dem Staubsauger und entfernen Sie sämtlichen Schmutz mit der mitgelieferten Bürste.
2. Wenn die Bürste stark verschmutzt ist, waschen Sie sie unter fließendem Wasser ab und lassen Sie sie frei trocknen. Wenn sich die Borsten beim Reinigen verbiegen, tauchen Sie die Bürsten in warmes Wasser,

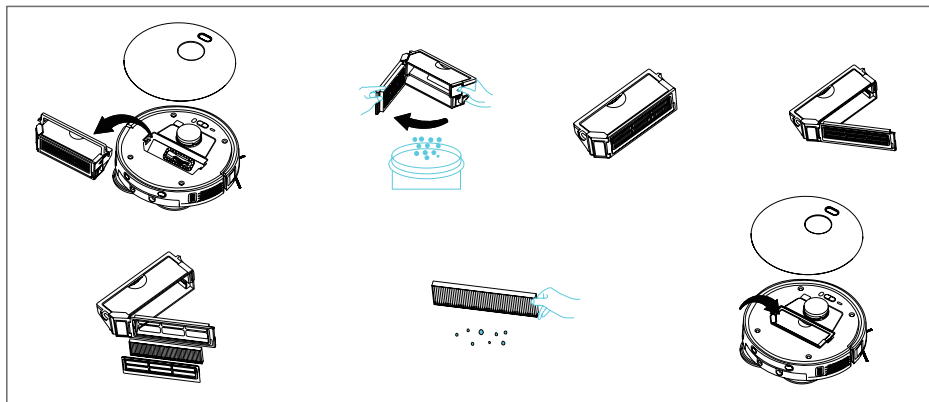


um sie gerade zu richten.

3. Vergewissern Sie sich vor dem Einsetzen, dass die Bürste vollständig trocken ist.
4. Wenn die rotierende Bürste beschädigt oder abgenutzt ist, ersetzen Sie sie durch eine neue.

Reinigung des Staubbehälters und des HEPA-Filters

Reinigen Sie den Staubbehälter nach jedem Gebrauch oder, falls erforderlich, während des Gebrauchs. Achten Sie in diesem Fall immer darauf, dass der Betrieb des Staubsaugers unterbrochen wird. Informationen über den vollen Staubbehälter werden in der App angezeigt.



1. Öffnen Sie die obere Abdeckung, fassen Sie den Staubbehälter am Griff und ziehen Sie ihn aus dem Staubsauger.
2. Öffnen Sie die Abdeckung des Staubbehälters und leeren Sie den Inhalt in den Mülleimer. Aus hygienischen Gründen empfehlen wir Ihnen, diesen Vorgang außerhalb des Wohnbereichs durchzuführen.
3. Nehmen Sie die Halterung mit dem HEPA-Filter vorsichtig aus dem Staubbehälter und klopfen Sie den HEPA-Filter aus. Sie können auch die mitgelieferte Reinigungsbürste zur Reinigung verwenden. Der HEPA-Filter darf nicht mit Wasser gewaschen werden. Wenn der HEPA-Filter beschädigt oder zu sehr verstopft ist, muss er durch einen neuen ersetzt werden. Setzen Sie den trockenen und sauberen HEPA-Filter in die Halterung und geben Sie ihn in den Staubbehälter zurück.



Bemerkung:

Ein verschmutzter, verstopfter oder beschädigter HEPA-Filter verringert die Saugleistung und damit die Reinigungseffizienz. Es ist daher wichtig, dass die Filter sauber sind.

4. Waschen Sie den Staubbehälter bei Bedarf unter fließendem Wasser und lassen Sie ihn frei trocknen.
5. Stellen Sie sicher, dass der Staubbehälter und der HEPA-Filter sauber und trocken sind, und setzen Sie den HEPA-Filter ein.
6. Schließen Sie die Abdeckung des Staubbehälters und geben Sie den zusammengefalteten Behälter in den Staubsauger.

Reinigen der Wischmopps und Mopphalter

1. Die Wischmopps werden bei jedem Wischen des Bodens automatisch gereinigt.

2. Wenn der Saugroboter in der Ladestation parkt, wird eine kleine Menge Wasser in den Innenraum abgegeben, um die Wischmopps in der Ladestation zu reinigen. Der Saugroboter läuft eine Weile und wendet die Wischmopps, um Staub und Schmutz zu entfernen. Im Innenbereich befinden sich weiche Vorsprünge, die beim Auswaschen und Reinigen helfen.
 3. Nach dem Waschen der Wischmopps wird das Schmutzwasser in den Schmutzwasserbehälter aufgesaugt.
 4. Der Saugroboter beginnt dann mit dem kurzen Trocknen der Wischmopps. Die Wischmopps können von Zeit zu Zeit entfernt und in warmem Wasser eingeweicht werden. Sie können ein wenig Waschmittel für feine Wäsche hinzufügen. Waschen Sie sie mit der Hand und entfernen Sie jeglichen Schmutz. Spülen Sie sie in warmem Wasser aus, wringen Sie sie in der Hand aus und lassen Sie sie frei trocknen. Um die Lebensdauer der Wischmopps zu verlängern, sollten Sie sie jedoch nicht zu oft entfernen.
- Nachdem Sie die Wischmopps entfernt haben, können Sie die Mopphalter vorsichtig mit einem leicht angefeuchteten weichen Tuch abwischen. Verwenden Sie keine Bürsten, Drähte usw., um die Klettverschlüsse nicht zu beschädigen.

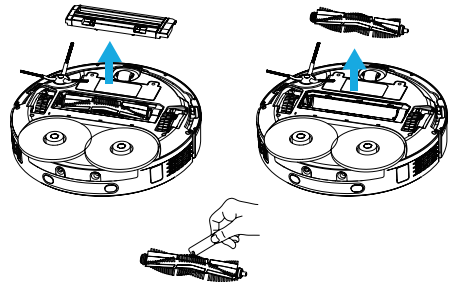


Bemerkung:

Die Wischmopps sollten nicht in der Waschmaschine gewaschen oder im Trockner getrocknet werden.

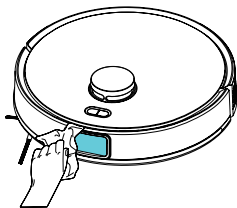
Reinigen der mittleren rotierenden Bürste

1. Drücken Sie die Schlüssel der Schutzabdeckung und kippen Sie die Abdeckung der mittleren rotierenden Bürste heraus.
2. Greifen Sie die mittlere Rotationsbürste an einem Ende und nehmen Sie sie vorsichtig aus den Halterungen in der Ansaugöffnung heraus.
3. Entfernen Sie alle Verunreinigungen (verhedderte Haare, Haare usw.) von der Rotationsbürste und den Lagern.
4. Reinigen Sie den Bereich, in dem die Bürste aufbewahrt wird, mit einem trockenen Tuch und vergewissern Sie sich, dass die Ansaugöffnung nicht blockiert oder verstopft ist.
5. Geben Sie die rotierende Bürste zurück und setzen Sie die Abdeckung auf. Üben Sie ein wenig Druck aus, bis Sie ein Klicken hören. Dies deutet darauf hin, dass die Abdeckung gut befestigt ist.

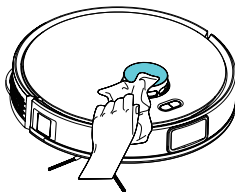


Reinigung der Sensoren

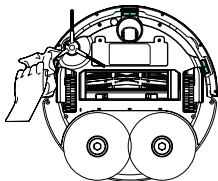
Es ist wichtig, dass die Sensoren des Staubsaugers und der Ladestation regelmäßig gereinigt werden, um eine sichere Bewegung zu gewährleisten. Wischen Sie die Sensoren mit einem trockenen und weichen Schwamm ab.



AI-Kamera

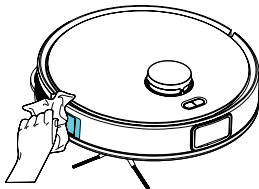


Lasermodul



Untere Sensoren

Ladekontakte am Staubsauger



Seitliche Sensoren

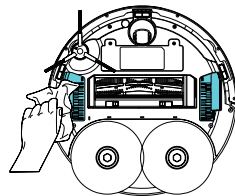
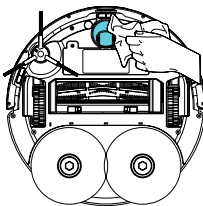
Ladekontakte an der Ladestation

Reinigung der Räder und des Vorderrads

Entfernen Sie regelmäßig verfangene Haare und Tierhaare von den Rädern und dem Vorderrad. Verwenden Sie zum Reinigen die mitgelieferte Reinigungsbürste.

Reinigung der Außenfläche des Staubsaugers

Wischen Sie die äußere Fläche des Staubsaugers mit einem sauberen, trockenen Tuch ab.



LADESTATION

Reinigung des Reinwasserbehälters

1. Öffnen Sie die Abdeckung der Ladestation und nehmen Sie den Reinwasserbehälter heraus.
2. Öffnen Sie die Abdeckung des Behälters und gießen Sie den Inhalt aus.
3. Waschen Sie den Behälter in warmem Wasser und mit einem weichen Tuch. Sie können auch ein wenig neutrales Reinigungsmittel verwenden, das Sie auf den Tuch geben. Spülen Sie ihn ab und wischen Sie ihn trocken.
4. Füllen Sie den Behälter bis zur MAX-Markierung mit sauberem Wasser.
5. Schließen Sie die Abdeckung des Behälters. Vergewissern Sie sich, dass die Schlösser an der Abdeckung einrasten und die Abdeckung fest sitzt.
6. Geben Sie den Behälter wieder in die Ladestation und schließen Sie die Abdeckung.

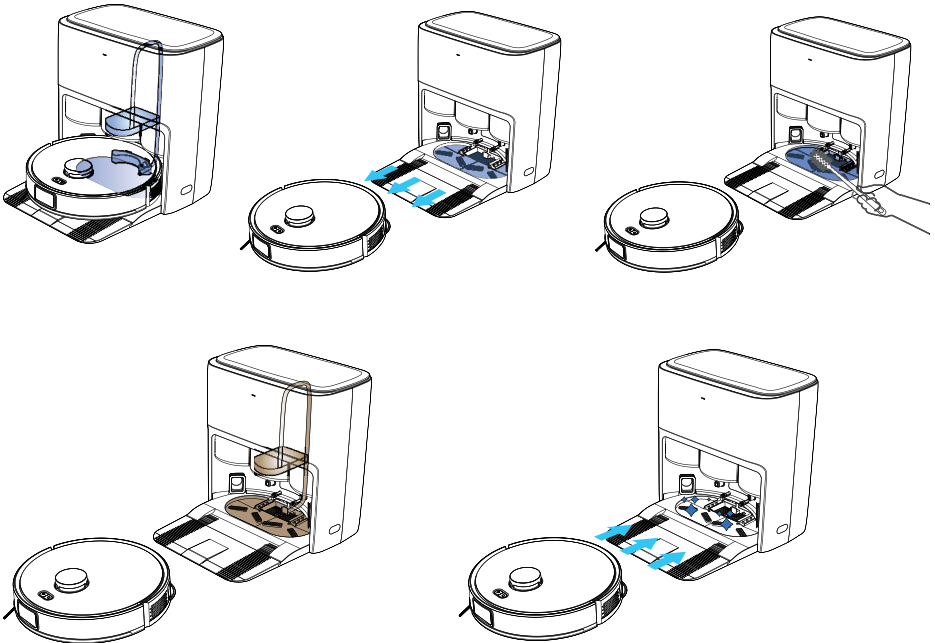
Reinigung des Schmutzwasserbehälters

1. Öffnen Sie die Abdeckung der Ladestation und nehmen Sie den Schmutzwasserbehälter heraus.
2. Öffnen Sie die Abdeckung des Behälters und gießen Sie den Inhalt aus.

3. Waschen Sie den Behälter in warmem Wasser und mit einem weichen Tuch. Sie können auch ein wenig neutrales Reinigungsmittel verwenden, das Sie auf den Tuch geben. Spülen Sie ihn ab und wischen Sie ihn trocken.
4. Schließen Sie die Abdeckung des Behälters. Vergewissern Sie sich, dass die Schösser an der Abdeckung einrasten und die Abdeckung fest sitzt.
5. Geben Sie den Behälter wieder in die Ladestation und schließen Sie die Abdeckung.

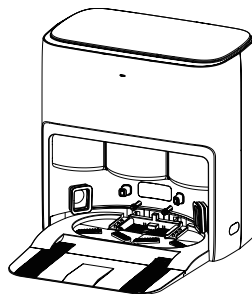
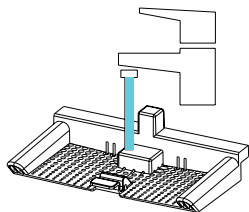
Reinigung des Innenbereichs der Ladestation

1. Klicken Sie in der App Ihres Smartphones auf die Reinigung des Innenbereichs.
2. Der Saugroboter verlässt die Ladestation automatisch.
3. Eine kleine Menge Wasser wird in den Innenbereich abgegeben.
4. Mit einer weichen Bürste können Sie Staub und Schmutz von dem Innenbereich entfernen, insbesondere von den dort befindlichen Vorsprüngen, die bei der Reinigung der Wischmopps helfen.
5. Nach etwa 3 Minuten wird das Wasser automatisch in den Schmutzwasserbehälter abgelassen. Sie können den Innenbereich mit einem weichen Tuch oder einem trockenen Tuch abwischen.
6. Der Saugroboter parkt dann automatisch in der Ladestation.



Reinigung des Ablauffilters

Der Ablauffilter befindet sich an der Rückseite des Innenbereichs und fängt größere Verschmutzungen und Staub auf, die andernfalls die inneren Leitungen verstopfen könnten, die das Schmutzwasser in den Behälter ableiten.



1. Entfernen Sie den Abauffilter aus dem Innenbereich.
2. Waschen Sie ihn warmem Wasser mit einem weichen Tuch. Sie können auch ein wenig neutrales Reinigungsmittel verwenden, das Sie auf den Tuch geben. Spülen Sie ihn ab und wischen Sie ihn trocken.
3. Setzen Sie ihn wieder ein, drücken Sie leicht, bis Sie ein Klicken hören.



Warnung:

Verwenden Sie die Ladestation nicht ohne einen ordnungsgemäß installierten Abauffilter. Es besteht die Gefahr von Schäden an der Ladestation.

Auswechseln des Staubbeutels

1. Öffnen Sie die Abdeckung der Ladestation.
2. Fassen Sie den Staubbeutel an seinem Griff und ziehen Sie ihn aus der Ladestation heraus. Wenn Sie den Griff nach oben ziehen, verschließt er den Einlass des Staubbeutels und verhindert so das Austreten von unerwünschtem Staub und Schmutz. Entsorgen Sie den Staubbeutel in die Mülltonne.
3. Wischen Sie den Bereich, in dem sich der Staubbeutel befindet, mit einem weichen Schwamm ab.
4. Setzen Sie den neuen Staubbeutel so ein, dass das Loch im Griff auf das Loch in der Wand der Ladestation zeigt. Dort befinden sich Rillen, in die der Griff des Staubbeutels bequem hineinpasst.
5. Schließen Sie die Abdeckung der Ladestation.



Reinigung der Außenfläche der Ladestation

Wischen Sie die Außenflächen der Ladestation mit einem sauberen, trockenen Tuch ab.

Lagerung

Vergewissern Sie sich vor der Lagerung, dass der Staubsauger sauber ist, der Staubbehälter leer und sauber ist und der HEPA-Filter sauber und richtig eingesetzt ist. Reinigen Sie den Rein- und Schmutzwasserbehälter und entfernen Sie den Staubbeutel. Bewahren Sie das Gerät an einem trockenen und gut belüfteten Ort außerhalb der Reichweite von Kindern und Haustieren auf. Stellen Sie keine Gegenstände auf das Gerät.

Um eine lange Lebensdauer des eingebauten Akkus zu gewährleisten, laden Sie den Staubsauger regelmäßig alle 3 Monate auf.

PROBLEMLÖSUNG

Problem	Ursache	Lösung
Der Staubsauger lässt sich nicht einschalten.	Der Staubsauger ist entladen.	Stellen Sie den Staubsauger manuell in die Ladestation und lassen Sie ihn aufladen.
Der Staubsauger lässt sich nicht aufladen.	Der Staubsauger ist nicht richtig in der Ladestation positioniert und die Kontakte verbinden sich nicht.	Überprüfen Sie den Standort des Staubsaugers in der Ladestation. Stecken Sie es ggf. manuell in die Ladestation. Die Ladeanzeige leuchtet auf, wenn der Staubsauger zu laden beginnt.
	Die Ladestation ist nicht an eine Stromquelle angeschlossen.	Schließen Sie die Ladestation an eine Stromquelle an.
	Der Staubsauger ist völlig entladen, weil Sie ihn schon sehr lange nicht mehr benutzt haben.	Sollte das Laden nicht starten, wenden Sie sich an einen autorisierten Kundendienst. Auch wenn Sie den Staubsauger über einen längeren Zeitraum nicht benutzen, empfehlen wir Ihnen, ihn regelmäßig zu laden, mindestens einmal alle drei Monate.
Es dauert sehr lange, den Staubsauger zu laden.	Das Aufladen findet in einem zu heißen oder zu kalten Raum statt. In diesem Fall kann der Ladevorgang länger dauern.	Stellen Sie die Ladestation in einen Raum mit einer optimalen Temperatur.

Problem	Ursache	Lösung
Das Hinzufügen des Staubsaugers zur App ist fehlgeschlagen.	Sie haben ein falsches Wi-Fi-Passwort eingegeben.	Geben Sie das richtige Passwort ein.
	Der Staubsauger befindet sich außerhalb der Reichweite des Routers.	Vergewissern Sie sich, dass sich der Staubsauger in Reichweite des Routers befindet.
	Der Staubsauger befindet sich nicht im Kopplungsmodus.	Wenn der Staubsauger eingeschaltet ist, halten Sie die Steuertasten am Saugroboter gleichzeitig 3 Sekunden lang gedrückt. Es ertönt ein kurzes akustisches Warnsignal und die Tasten des Staubsaugers blinken. Dies zeigt an, dass der Staubsauger für die Kopplung bereit ist.
	Sie verwenden ein 5 GHz Wi-Fi-Netzwerk.	Der Staubsauger unterstützt ein 2,4-GHz-Wi-Fi-Netzwerk. Verbinden Sie Ihr Smart-Gerät mit diesem Wi-Fi-Netzwerk.
Der Staubsauger ist während des Betriebs zu laut.	Sie haben das falsche Gerät gewählt.	Wählen Sie beim Koppeln das Modell des Saugroboters aus.
	Die seitliche Bürste oder die mittlere rotierende Bürste ist blockiert.	Beseitigen Sie die Ursache der Blockade.
	Sie haben die maximale Saugleistung eingestellt.	Es handelt sich um eine normale Erscheinung.
	Die Räder sind blockiert.	Beseitigen Sie die Ursache der Blockade.
Reduzierter Staubsaugereffekt.	Der Staubbeutel ist voll.	Ersetzen Sie den Staubbeutel.
	Der HEPA-Filter ist verstopft.	Reinigen Sie den HEPA-Filter.
	Die seitliche Bürste oder die mittlere rotierende Bürste ist blockiert.	Beseitigen Sie die Ursache der Blockade.
	Die Ansaugöffnung der Ladestation ist blockiert.	Reinigen Sie die Ansaugöffnung der Ladestation.

Problem	Ursache	Lösung
Der Staubsauger hat die geplante Reinigung nicht durchgeführt.	Der Staubsauger ist entladen. Die planmäßige Reinigung wird nicht gestartet, wenn der Staubsauger zu weniger als 30% aufgeladen ist.	Laden Sie den Staubsauger auf.
	Sie haben in der App den Modus „Nicht stören“ eingestellt.	Deaktivieren Sie den Modus „Nicht stören“ in der Smartphone-App.
	Für die gleiche Zeit der geplanten Reinigung wurde eine andere Art von Reinigung angegeben und diese wurde daher abgesagt.	Führen Sie während der geplanten Reinigungszeit keine andere Reinigung durch.
Der Staubsauger setzt die Reinigung nach dem Aufladen nicht fort.	Sie haben in der App den Modus „Nicht stören“ eingestellt.	Deaktivieren Sie den Modus „Nicht stören“ in der Smartphone-App.
	Wenn Sie den Staubsauger manuell in die Ladestation stellen, wird die Reinigung nicht fortgesetzt.	Lassen Sie den Staubsauger die Ladestation selbst finden und einparken.
Der Staubsauger kann die Ladestation nach einer Teilreinigung oder nach einer manuellen Neupositionierung nicht finden.	Nach einer teilweisen Reinigung oder nachdem der Staubsauger manuell umgestellt wurde, wird eine neue Karte erstellt und der Staubsauger kann die Ladestation möglicherweise nicht mehr finden.	Setzen Sie den Staubsauger manuell in die Ladestation ein.
Der Staubsauger fährt an einer Stelle im Kreis, reinigt wiederholt nur eine Stelle oder überspringt eine bestimmte Stelle.	Auf dem Boden befinden sich Fremdkörper, die den Staubsauger an der Reinigung hindern.	Richten Sie den Raum/ Haushalt vor dem Reinigen so ein, dass der Staubsauger die größtmögliche Fläche reinigen kann.
In der App befindet sich keine Karte.	Wenn der Staubsauger manuell bewegt wird, kann die Karte verloren gehen.	Wenn die Karte bereits gespeichert wurde, stellen Sie sie manuell in der App wieder her.
Die seitliche Bürste fällt heraus.	Die seitliche Bürste ist nicht richtig angebracht.	Nehmen Sie die seitliche Bürste ab und befestigen Sie sie an dem Stift an der Unterseite des Staubsaugers. Das richtige Einsetzen wird durch ein Klicken indiziert.

Problem	Ursache	Lösung
Der Mopphalter fällt beim Reinigen heraus.	Der Halter ist nicht richtig aufgesetzt.	Wenn Sie den Halter einsetzen, drücken Sie ihn leicht in Richtung Staubsauger, bis Sie ein Klicken hören.
Der Mopphalter dreht sich nicht.	Der Halter ist durch einen Fremdkörper blockiert.	Beseitigen Sie die Ursache der Blockade.
Der Staubsauger kann nicht die Ladestation finden und dort parken.	Die Ladestation ist nicht richtig positioniert.	Stellen Sie die Ladestation so auf, dass sie frei zugänglich ist.
	Die Ladestation ist vom Stromnetz getrennt.	Lassen Sie die Ladestation an eine Stromquelle angeschlossen.
	Sie haben die Ladestation verschoben, während der Staubsauger gereinigt hat.	Bewegen Sie die Ladestation während der Reinigung nicht.
	Sie haben den Staubsauger außerhalb der Ladestation gestartet.	Starten Sie den Staubsauger, wenn er in der Ladestation geparkt ist.
	Der Weg zur Ladestation ist durch einen Fremdkörper blockiert.	Entfernen Sie Fremdkörper, die den Staubsauger daran hindern, in der Ladestation zu parken.
Der Staubsauger kehrte zur Ladestation zurück, bevor die Reinigung abgeschlossen war.	Der Ladestand des Staubsaugers ist gesunken und der Staubsauger muss wieder aufgeladen werden.	Laden Sie den Staubsauger, nach dem Aufladen wird die Reinigung fortgesetzt.
	Auf der Reinigungsrouten gibt es zu viele Hindernisse, die der Staubsauger umfahren muss oder unter denen er nicht reinigen kann.	Richten Sie den Raum/Haushalt vor dem Reinigen so ein, dass der Staubsauger die größtmögliche Fläche reinigen kann.
Der Staubsauger ist beim Reinigen steckengeblieben.	Der Staubsauger hat sich im Netzkabel eines anderen Geräts, in einem Vorhang oder im Teppich verfangen.	Lösen Sie den Staubsauger und bewegen Sie ihn manuell an einen freien Platz.
	Der Staubsauger geriet in einen niedrigen Raum (z.B. unter Möbel) und blieb dort stecken.	Entfernen Sie den Staubsauger von einem solchen Ort. Markieren Sie den Ort in der App als Sperrbereich, um zu verhindern, dass sich die Situation wiederholt.

Problem	Ursache	Lösung
Die Route des Staubsaugers ist chaotisch, weicht ab, einige Stellen werden wiederholt gereinigt, andere überspringt der Staubsauger.	Der Staubsauger erstellte eine falsche Karte, wenn er Hindernisse überquerte oder versuchte, Treppen oder Schwellen zu überwinden.	Lassen Sie den Staubsauger nur einen bestimmten Raum separat reinigen. Nach der Reinigung kehrt der Staubsauger an den Ort zurück, an dem er gestartet ist.
	Auf dem Boden befinden sich Hindernisse, z.B. Kabel, die den Weg des Staubsaugers während der Reinigung beeinträchtigen können.	Entfernen Sie Fremdkörper, Hindernisse usw. vom Boden, bevor Sie den Reinigungsvorgang starten. Der Staubsauger reinigt die übersehenen Bereiche, ohne dass Sie ihn manuell bewegen müssen.
	Der Boden ist zu rutschig, gewachst oder poliert, so dass die Räder am Boden durchrutschen.	Warten Sie, bis der Boden getrocknet und frei begehbar ist.
	Es kann Orte im Haushalt geben, an die der Staubsauger nicht gelangt.	Wir empfehlen Ihnen, die Möbel und Geräte im Raum so anzuordnen, dass der Staubsauger die maximale Fläche reinigen kann.
Das Laden der App dauert zu lange.	Das Wi-Fi-Signal des Staubsaugers ist schwach.	Prüfen Sie die Wi-Fi-Abdeckung in Ihrer Wohnung.
Die AI-Kamera erkennt keine Objekte.	Das Objektiv der AI-Kamera ist verschmutzt.	Reinigen Sie das Objektiv der AI-Kamera.
Firmware-Update fehlgeschlagen.	Der Staubsauger ist entladen und befindet sich nicht in der Ladestation.	Vergewissern Sie sich, dass der Staubsauger zu mindestens 50% aufgeladen ist, bevor Sie die Firmware aktualisieren.

Problem	Ursache	Lösung
Nach dem Abstellen in der Ladestation wurde der Inhalt des Staubbehälters nicht automatisch entleert.	Die Abdeckung der Ladestation ist nicht geschlossen.	Schließen Sie die Abdeckung der Ladestation.
	Der Staubbeutel ist nicht eingesetzt.	Setzen Sie den Staubbeutel ein.
	Wenn Sie den Staubsauger manuell in die Ladestation stellen, wird der Inhalt des Staubbehälters nicht automatisch abgesaugt.	Lassen Sie den Staubsauger die Ladestation selbst finden und einparken. Der Staubbehälter wird dann automatisch abgesaugt.
	Sie haben sich nur für das Wischen entschieden.	Wenn Sie sich dafür entscheiden, nur den Boden zu wischen, wird der Inhalt des Staubbehälters nicht aufgesaugt. Wählen Sie Staubsaugen oder Saugen und Wischen.
	Sie haben in der App das Intervall für das Saugen des Staubbehälters auf „Nie“ eingestellt.	Stellen Sie ein anderes Saugintervall für den Staubbehälter ein.
	Sie haben in der App das Intervall für das Saugen des Staubbehälters auf „Jedes zweite Saugen“ eingestellt.	Stellen Sie ein anderes Saugintervall für den Staubbehälter ein.
	Sie haben in der App den Modus „Nicht stören“ eingestellt.	Deaktivieren Sie den Modus „Nicht stören“ in der Smartphone-App.
Nachdem die Reinigung abgeschlossen war, wurde der Staubbehälter nur teilweise abgesaugt.	Innerhalb kurzer Zeit war die Reinigung wieder abgeschlossen und der Staubbehälter wurde geleert.	In diesem Fall darf nicht der gesamte Behälter entleert werden.
	Der Staubbeutel ist voll.	Ersetzen Sie den Staubbeutel.
	Die Ansaugöffnung der Ladestation ist blockiert.	Reinigen Sie die Ansaugöffnung der Ladestation.
Der Bereich des Staubbeutels in der Ladestation ist verschmutzt.	Kleine Staubpartikel haben sich im Staubbeutelbereich abgesetzt, z.B. beim Entfernen eines vollen Beutels.	Wischen Sie den Bereich des Staubbeutels mit einem sauberen Tuch ab.
	Der Staubbeutel ist gerissen.	Wischen Sie den Bereich des Staubbeutels mit einem sauberen Tuch ab. Legen Sie einen neuen Staubbeutel ein.

Problem	Ursache	Lösung
Die Hintergrundbeleuchtung der Tasten am Staubsauger ist ausgeschaltet.	Sie haben die Hintergrundbeleuchtung der Tasten auf dem Staubsauger in der App ausgeschaltet.	Ändern Sie die Einstellungen in der App.
Der Staubsauger wischt mit kaltem Wasser statt mit warmem Wasser.	Das Abwischen mit warmem Wasser ist bei der Anwendung nicht aktiv.	Aktivieren Sie in der App das Abwischen mit warmem Wasser.

Wenn das Problem nicht in der obigen Tabelle angeführt ist oder das Problem nicht behoben werden konnte, schalten Sie das Gerät aus, ziehen Sie den Stecker des Netzkabels aus der Steckdose und wenden Sie sich an einen autorisierten Kundendienst.

Sprachalarm

Wenn während des Betriebs eine Störung auftritt, blinken die Tasten am Staubsauger rot und ein Sprachalarm ertönt. In der folgenden Tabelle finden Sie die Bedeutung und die Lösung.

Meldung	Lösung
Das Lasermodul ist abgedeckt. Decken Sie es ab und versuchen Sie es erneut.	Das Lasermodul ist blockiert oder durch einen Fremdkörper verdeckt. Beseitigen Sie die Ursache der Blockierung oder bewegen Sie den Staubsauger manuell an einen anderen Ort.
Die Stoßstange ist blockiert. Lösen Sie sie versuchen Sie es erneut.	Der Stoßfänger und die seitlichen Sensoren sind blockiert oder durch einen Fremdkörper verdeckt. Klopfen Sie auf die Stoßstange, um den Fremdkörper zu entfernen, entfernen Sie ihn vom Boden oder bewegen Sie den Staubsauger manuell an eine andere Stelle.
Das Rad hängt in der Luft. Der Staubsauger muss bewegt werden.	Der Staubsauger ist stehen geblieben und muss manuell an einen neuen Ort gebracht werden. Überprüfen Sie die Anti-Sturz-Sensoren an der Unterseite auf Verschmutzung und reinigen Sie sie bei Bedarf.
Wischen Sie die Anti-Sturz-Sensoren ab.	Der Staubsauger ist stehen geblieben und muss manuell an einen neuen Ort gebracht werden. Überprüfen Sie die Anti-Sturz-Sensoren an der Unterseite auf Verschmutzung und reinigen Sie sie bei Bedarf.
Die mittlere rotierende Bürste ist blockiert.	Die mittlere rotierende Bürste ist durch einen Fremdkörper blockiert. Beseitigen Sie die Ursache der Blockade.
Die seitliche rotierende Bürste ist blockiert.	Die seitliche rotierende Bürste ist durch einen Fremdkörper blockiert. Beseitigen Sie die Ursache der Blockade.
Das Rad ist blockiert.	Das Rad ist durch einen Fremdkörper blockiert. Beseitigen Sie die Ursache der Blockade.
Der Saugroboter ist steckengeblieben.	Der Staubsauger steckt in einem toten Winkel oder zwischen Möbeln fest. Lösen Sie Möbel oder Hindernisse, damit er selbst herausfahren kann, oder bewegen Sie ihn manuell an einen neuen Ort.

Meldung	Lösung
Der Staubbeutel fehlt.	Legen Sie einen neuen Staubbeutel ein oder überprüfen Sie, ob er richtig eingesetzt ist.
Der Akku ist leer.	Der Akku ist fast leer. Lassen Sie es vor der Reinigung auf mindestens 30% aufladen.
Mit dem Akku stimmt etwas nicht. Schalten Sie den Staubsauger aus und lassen Sie es abkühlen.	Die Temperatur des Akkus ist zu hoch oder zu niedrig. Warten Sie, bis sich die Temperatur des Akkus stabilisiert hat.
Wischen Sie den Wandsensor auf der rechten Seite des Staubsaugers ab.	Der Wandsensor ist verschmutzt und funktioniert nicht richtig.
Stellen Sie den Staubsauger auf einen ebenen Boden und versuchen Sie es erneut.	Der Staubsauger hat festgestellt, dass er nicht auf einem ebenen Boden steht. Stellen Sie den Staubsauger auf einen ebenen Boden.
Mit dem Ventilator stimmt etwas nicht. Setzen Sie den Staubsauger zurück.	Der Ventilator im Inneren des Staubsaugers funktioniert möglicherweise nicht richtig. Schalten Sie den Staubsauger nach einer Weile aus und wieder ein.
Entfernen Sie den Staubsauger aus dem Sperrbereich und versuchen Sie es erneut.	Der Staubsauger hat den Sperrbereich betreten. Bewegen Sie ihn aus dem Sperrbereich heraus.
Interner Fehler. Setzen Sie den Staubsauger zurück.	Der Staubsauger hat einen internen Fehler entdeckt. Schalten Sie den Staubsauger nach einer Weile aus und wieder ein.
Der Reinwasserbehälter ist nicht in die Ladestation eingesetzt.	Setzen Sie den Reinwasserbehälter in die Ladestation ein oder überprüfen Sie, ob er richtig eingesetzt ist.
Der Schmutzwasserbehälter ist nicht in die Ladestation eingesetzt.	Setzen Sie den Schmutzwasserbehälter in die Ladestation ein, oder überprüfen Sie, ob er richtig eingesetzt ist.
Der Ablauffilter ist nicht eingesetzt.	Der Ablauffilter ist nicht oder nicht richtig in den hinteren Bereich der Ladestation eingesetzt. Setzen Sie sie ein und drücken Sie leicht, bis Sie ein Klicken hören.
Der Staubbeutel ist nicht eingesetzt.	Setzen Sie den Staubbeutel ein oder überprüfen Sie, ob er richtig eingesetzt ist.
Der Reinwasserbehälter ist leer.	Geben Sie Wasser in den Behälter.
Der Schmutzwasserbehälter ist voll.	Entleeren und reinigen Sie den Schmutzwasserbehälter.

Meldung	Lösung
Anomalien bei der Wasserdosierung.	Die Ladekontakte, die hintere Linse des Staubsaugers oder die mittlere Linse der Ladestation sind verschmutzt oder durch einen Fremdkörper blockiert, was zu einem Signalverlust führt und es unmöglich macht, den Wasserbehälter im Staubsauger aufzufüllen. Wischen Sie die Ladekontakte, die hintere Linse und die mittlere Linse ab, um die mögliche Ursache der Blockade zu beseitigen.
Anomalien bei der Wischmopp-Reinigung.	Die Ladekontakte, die hintere Linse des Staubsaugers oder die mittlere Linse der Ladestation sind verschmutzt oder durch einen Fremdkörper blockiert, was zu einem Signalverlust führt und es unmöglich macht, den Wasserbehälter im Staubsauger aufzufüllen. Wischen Sie die Ladekontakte, die hintere Linse und die mittlere Linse ab, um die mögliche Ursache der Blockade zu beseitigen.
Anomalien beim Aufsaugen von Staub aus dem Staubbehälter.	Die Ladekontakte, die hintere Linse des Staubsaugers oder die mittlere Linse der Ladestation sind verschmutzt oder durch einen Fremdkörper blockiert, was zu einem Signalverlust führt und es unmöglich macht, den Wasserbehälter im Staubsauger aufzufüllen. Wischen Sie die Ladekontakte, die hintere Linse und die mittlere Linse ab, um die mögliche Ursache der Blockade zu beseitigen.
Abnormale Trocknung.	Die Ladekontakte, die hintere Linse des Staubsaugers oder die mittlere Linse der Ladestation sind verschmutzt oder durch einen Fremdkörper blockiert, was zu einem Signalverlust führt und es unmöglich macht, den Wasserbehälter im Staubsauger aufzufüllen. Wischen Sie die Ladekontakte, die hintere Linse und die mittlere Linse ab, um die mögliche Ursache der Blockade zu beseitigen.

Wenn das Problem nicht behoben werden konnte und die Tasten des Staubsaugers weiterhin rot blinken, schalten Sie das Gerät aus, ziehen Sie den Netzstecker aus der Steckdose und wenden Sie sich an eine autorisierte Kundendienststelle.



Bemerkung:

Aufgrund der ständigen Weiterentwicklung kann der Sprachalarm hier in der Tabelle leicht vom Sprachalarm des Staubsaugers abweichen. Die Bedeutung und die Lösung bleiben jedoch dieselben.

Köszönjük, hogy a SIGURO márka termékét választotta! Köszönjük, hogy megtisztelt bennünket a bizalmával! Örömmel mutatjuk be Önnek a készülékünket, a készülék funkcióit és a készülék használatát.

Hiszünk abban, hogy tisztességes és felelős vállalat vagyunk, ezért csak olyan beszállítókkal dolgozunk együtt, akik megfelelnek a munkavállalók érdekeinek a védelmére, a munkavállalói visszaélések megelőzésére, továbbá a tisztességes munkakörülmények biztosítására vonatkozó szigorú kritériumainknak.

Amennyiben a készüléken olyan karbantartást vagy javítást kíván végrehajtani, amelyhez a készüléket meg kell bontani, akkor forduljon a márkaszervizhez a siguro@alza.cz e-mailen, vagy hívja fel a vevőszolgálatunkat. A kényelmesebb ügyintézés érdekében egybevontuk a kapcsolati helyeinket, így a fenti kapcsolatokat nem csak a javítások és karbantartások megrendeléséhez, hanem a reklamációk benyújtásához vagy a garancia utáni szervizeléshez is fel lehet használni.

A legfrissebb használati útmutatót a www.siguro.net weblapon találja meg.

BIZTONSÁGI INFORMÁCIÓK



A használatba vétel előtt figyelmesen olvassa el a jelen útmutatót, és azt későbbi felhasználásokhoz is őrizze meg.

1. A készüléket 8 évnél idősebb gyerekek, idős, testi és szellemi fogyatékos személyek, illetve a készülék használatát nem ismerő és hasonló készülék üzemeltetéseinek a tapasztalataival nem rendelkező személyek csak a készülék használati utasítását ismerő és a készülék használatáért felelősséget vállaló személy felügyelete mellett használhatják.
2. A készülék nem játék, azzal gyerekek nem játszhatnak.
3. A készüléket gyerekek csak felnőtt személy felügyelete mellett tisztíthatják.
4. Az áramütések megelőzése érdekében, a készülékhez csak eredeti hálózati adaptert és

töltőállomást szabad használni. A készüléket ne használja, ha a hálózati adapter vagy a töltőállomás sérült.

5. A tisztítás megkezdése előtt a robotporszívót válassza le az elektromos hálózatról és kapcsolja le a készülék főkapcsolóját.
6. A készülékhez kizárólag csak a mellékelt hálózati adaptert és töltőállomást használja.
7. **FIGYELMEZTETÉS!** A hálózati adaptert és a töltőállomást csak ehhez a robotporszívóhoz lehet használni, más készülékhez nem.
8. A készüléket háztartásokban, irodákban és más hasonló helyiségekben lehet takarításhoz használni. A készüléket ne használja ipari környezetben vagy szabadban.
9. A készülékkel vizet felszívni nem lehet, ezért a készüléket nedves és vizes helyiségekben (mosodában, fürdőszobában vagy medence körül) használni tilos. Ha a készülékbe nedvesség kerül, akkor az érzékeny elektronika meghibásodik.
10. A készüléket nem szabad használni a következő anyagok felszívásához:
 - füstölő cigarettá, égő vagy gyúlékony tárgyak, gyufa vagy forró hamu;
 - víz és más folyadékok;
 - éles és hegyes tárgyak (szilánk, cserép, tű, gombostű stb.);
 - liszt, cement, vakolat vagy más építőanyagok;
 - nagyobb papírlapok vagy műanyag zacskók porszívózásához.
11. A hálózati adaptert csak a típuscímkén feltüntetett tápfeszültségnek megfelelő elektromos hálózathoz szabad csatlakoztatni.
12. A hálózati adaptert csak szabályszerűen leföldelt aljzathoz csatlakoztassa. A készüléket ne üzemeltesse hosszabbító vezetékről.
13. Az adapter vezetékét ne tegye éles tárgyakra. A hálózati adapter vezetéke nem lóghat le az asztalról, és nem érhet hozzá forró tárgyakhoz.
14. A fali aljzathból a hálózati adapter házának a megfogásával húzza ki az adaptert. Ha az adapternek a vezetékét húzza, akkor az adapter vagy az aljzat megsérülhet.
15. Az adaptert és a készüléket nedves és vizes kézzel ne fogja meg.
16. A készüléket és a hálózati adaptert gyerekektől elzárt helyen tárolja.
17. A készüléket ne tegye ki közvetlen napsütésnek, illetve a készüléket ne tegye forró helyre (nyílt láng vagy más hőforrások közelébe).
18. A készülékhez kizárólag csak a mellékelt vagy eredeti, illetve a gyártó által ajánlott tartozékokat használjon.
19. A használatba vétel előtt győződjön meg arról, hogy megfelelően összeszerelte-e a készüléket, és behelyezte-e a porgyűjtő edényt valamint a szűrőegységet.
20. A használatba vétel előtt a helyiség ajtóit zárja be. A padlóról távolítson el minden idegen tárgyat (ruhát, papírt, játékokat, törékeny tárgyakat,

vezetékeket stb.), amelyeket a robotporszívó beszívhat, feltekerhet vagy feldönthet. A padlóig érő függőnyt hajtja fel és rögzítse úgy, hogy a porszívó azt ne tudja beszívni.

21. Ügyeljen arra, hogy porszívózás közben a szívó- és fúvónyílás, valamint a levegő útja ne legyen blokkolva és letakarva. Ellenkező esetben a készülék meghibásodhat.
22. A robotporszívót ne használja, kicsi és emelt felületeken (pl. asztal, szekrény stb.). A kis felületeken a készülék nem tud manőverezni (le fog esni).
23. A készülékre ne tegyen rá tárgyakat, a készülékre ne üljön rá és ne álljon fel. Gyerekeket és háziállatokat ne engedjen a használatban lévő készülék közelébe.
24. A készüléket ne szedje szét, ne alakítsa át és ne próbálja javítani. A készülékben nincsenek olyan alkatrészek, amelyeket a felhasználó is kicserélhet. A jelen útmutatóban meg nem határozott karbantartásokon kívüli karbantartásokat és javításokat a márkaszervizben rendelje meg. Ha a készülék, a hálózati adapter vagy a töltőállomás nem működik megfelelő módon, leesett vagy más módon megsérült, illetve vízbe esett, akkor azokat ne használja.
25. A tisztítást és a karbantartást a jelen útmutatóban leírtak szerint hajtsa végre.
26. Áramütés veszélye! A készüléket, a hálózati adaptert vagy a töltőállomást folyó víz alatt tisztítani vagy vízbe mártani tilos! Ezeket a fröccsenő víztől is óvni kell.
27. Ha a készüléket hosszabb ideig nem fogja használni, akkor abból az akkumulátort vegye ki. Az akkumulátor kiszerelese előtt a főkapcsolót kapcsolja le és a hálózati adaptert is húzza ki.
28. A lézer egységet ne nyomja nagyobb erővel, a fedelet ne próbálja meg kinyitni. Ellenkező esetben a lézer egység meghibásodhat.

Lézer osztály: I



1. osztályba sorolt lézer

Az I osztályba sorolt lézeres érzékelő megfelel az EN 60825-1 biztonsági szabvány követelményeinek.

Hullámhossz: 775 - 800 nm

Lézersugár széttartása 13°

Impulzushossz és impulzusismétlési gyakoriság (vagy impulzussorozat leírása szabálytalan sugárzási minták esetén): 100 µs, 3000 – 4000 Hz

Maximális teljesítmény vagy kimenő energia: 3 mW

A lézeres érzékelővel szerelt robotporszívó használata, kezelése és karbantartása közben mindig tartsa be az alábbi utasításokat.

- A robotporszívón végzett bármilyen tevékenység előtt a robotporszívót a főkapcsolóval kapcsolja ki.
- A lézersugarat ne irányítsa emberek és állatok felé.
- Ne nézzen közvetlenül a lézersugárba vagy a visszatükröződött lézersugárba.
- A lézeres érzékelőn javításokat csak a márkaszerviz hajthat végre.



Figyelmeztetés!

A használati és karbantartási utasítások be nem tartása esetén a lézersugár szemsérülést okozhat.

AZ AKKUMULÁTOR MEGSEMMISÍTÉSE



A termékbe akkumulátor van beépítve. A termék hulladékgyűjtő helyre való leadása előtt az akkumulátort a termékből ki kell szerelni és külön kell leadni. Az akkumulátort a márkaszervizben is kiszerezhető a készülékből. A készüléket kapcsolja be és várja meg, amíg az akkumulátor teljesen le nem merül. Ezt követően az akkumulátort szerelje ki a készülékből. Az akkumulátor a környezetünkre káros anyagokat tartalmaz, ezért ne dobja az akkumulátort a háztartási hulladék közé. Az akkumulátort kijelölt gyűjtőhelyen adja le újrafeldolgozáshoz.



Áramütés elleni védelem: II

A felhasználó áramütés elleni védelméről kettős szigetelés gondoskodik.



A „**Csak beltéri használatra**” jel arra figyelmezteti, hogy a készüléket szabadtéren nem lehet használni.

Az Alza.cz a.s. cég kijelenti, hogy a SGR-RV-S900B készülékbe épített rádió egység megfelel a 2014/53/EU irányelv követelményeinek.

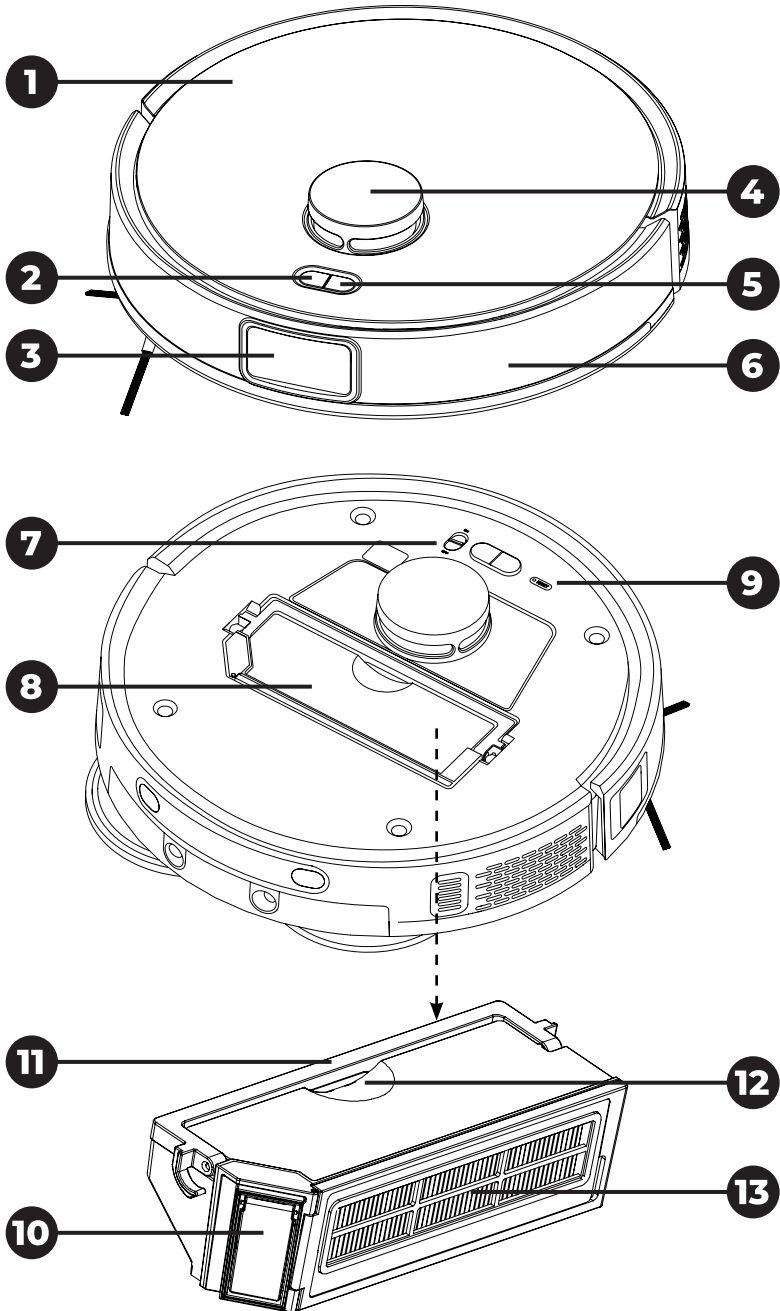


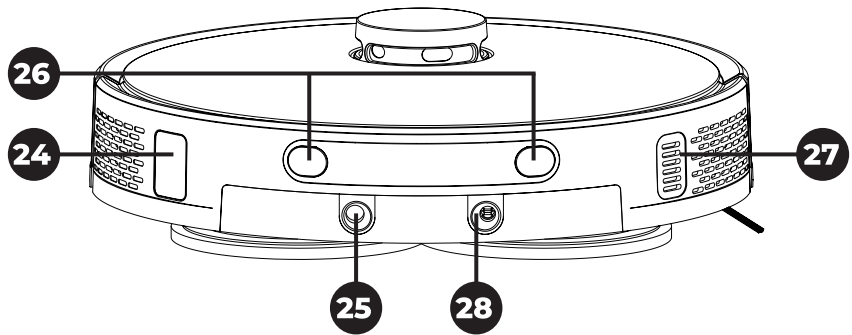
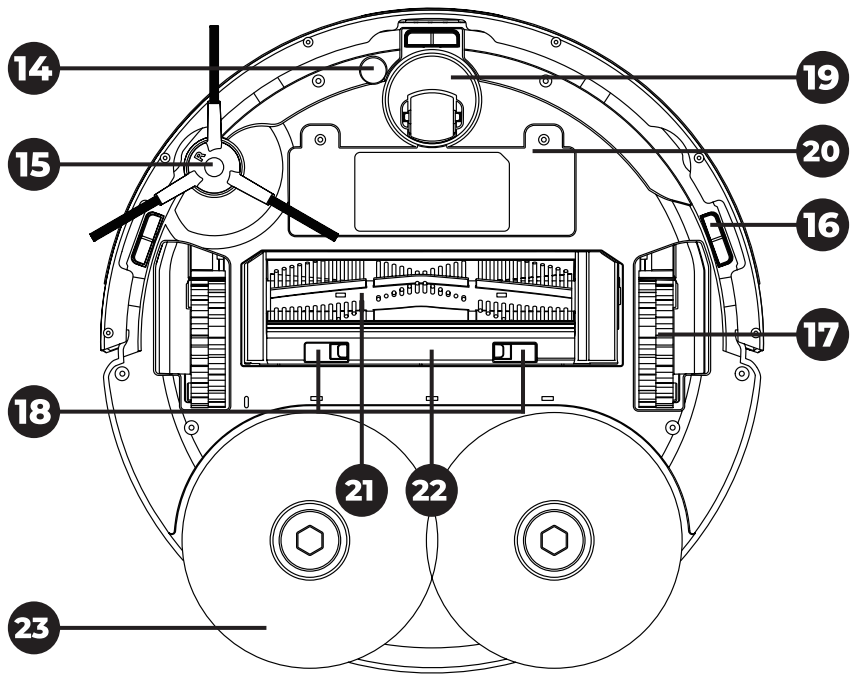
Az alkalmazás letöltéséhez olvassa be ezt a QR kódot.





Olvassa be ezt a QR-kódot, ha porszívót szeretne hozzáadni az alkalmazáshoz.

A KÉSZÜLÉK RÉSZEI

A



Robotporszívó (A. ábra)

- 1 Felső fedél
- 2  gomb: a porszívó töltőállomásba küldéséhez
- 3 AI-kamera
- 4 Lézeres modul
- 5  gomb: a porszívó be- és kikapcsolásához, az automatikus takarítás indításához
- 6 Szenzor az ütközések megelőzéséhez
- 7 MI kamera kapcsoló
- 8 Porgyűjtő edény
- 9 RESET gomb
- 10 Porgyűjtő edény bemeneti nyílás
- 11 Porgyűjtő edény fogantyú
- 12 Porgyűjtő edény fedél
- 13 HEPA szűrő
- 14 Szőnyeg szenzor
- 15 Oldalsó forgókefe
- 16 Leesés ellen védő szenzorok
- 17 Kerekek
- 18 Védőkeret retesz
- 19 Első kerék
- 20 Akkumulátor fedél
- 21 Középső forgókefe
- 22 Forgókefe védőkeret
- 23 Kerek törlőruhák
- 24 Nyílás a porgyűjtő edény tartalmának a kiszívásához
- 25 Bemeneti nyílás a víztartály feltöltéséhez
- 26 Töltő érintkezők
- 27 Szellőztető nyílás
- 28 Helyzetbeállító bemenet

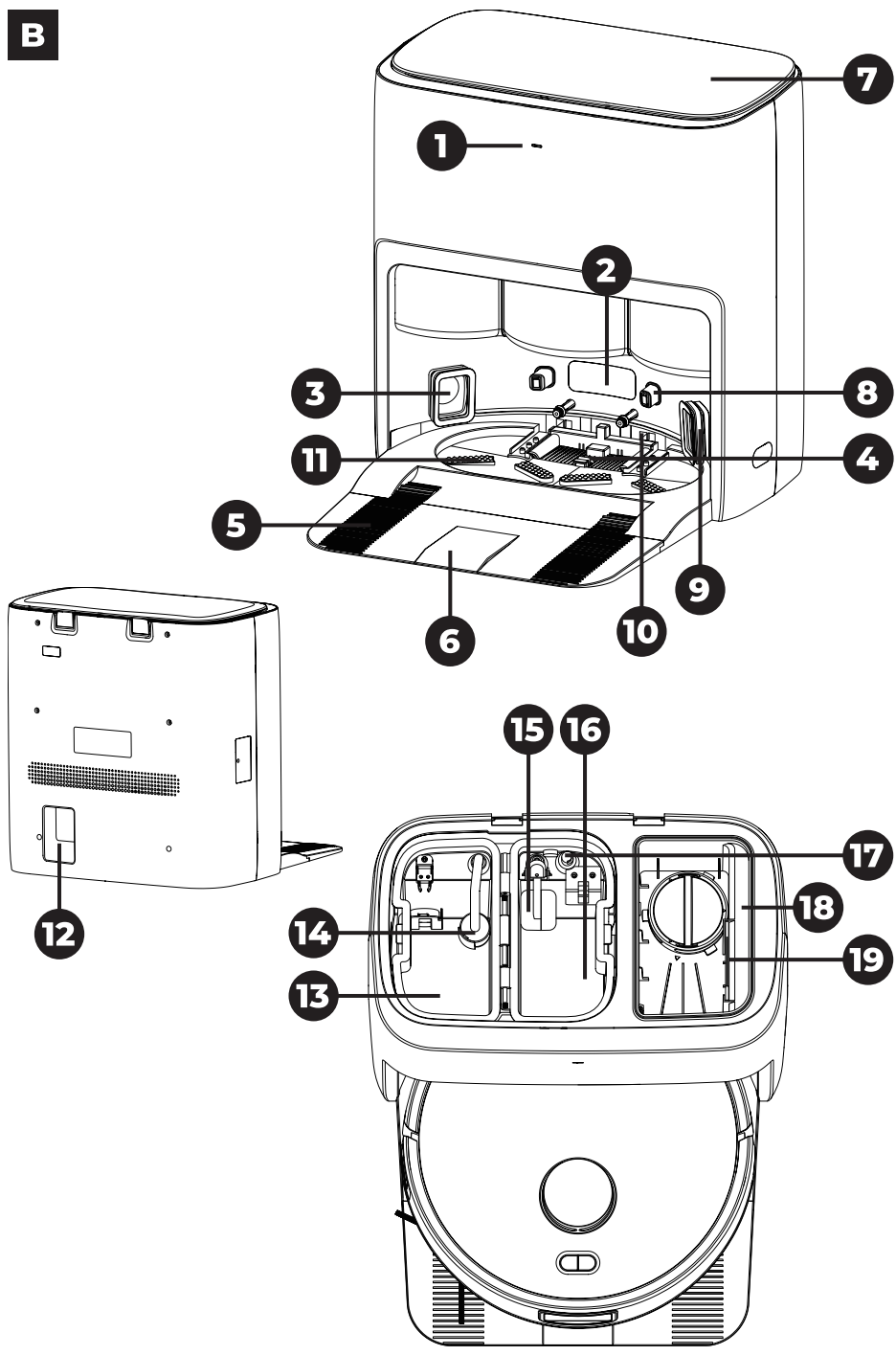
Ábrázolás nélkül: tápkábel, törlőruha tartó, porzsák, tisztító kefe

Megjegyzés:



Az SGR-RV-S900S robotporszívó mesterséges intelligenciával rendelkező kamerával van felszerelve, amely az érzékelőkkel és a lézerral együtt tökéletes mozgást és tájékozódást biztosít a helyiségben, valamint a padlón lévő akadályok és tárgyak felismerésében. A MI kamerával nem lehet hang- vagy képfelvételt készíteni.

B



Töltőállomás (B. ábra)

- 1 LED kijelző
- 2 Jel kibocsátás
- 3 Levegő kimenet
- 4 Víz kimenet
- 5 Kerék megvezető felület
- 6 Rámpa
- 7 Töltőállomás fedél
- 8 Töltő érintkezők
- 9 Nyílás a porgyűjtő edény tartalmának a kiszívásához
- 10 Szárító levegő kimenet
- 11 Törlőruha tisztító
- 12 Tápkábel csatlakozó aljzat
- 13 Tiszta víz tartály
- 14 Szivacs szűrő (tisztít és fertőtlenít)
- 15 Megtelt koszos víz tartály kijelző
- 16 Koszos víz tartály
- 17 Koszos víz elvezető
- 18 Porzsák tároló
- 19 Porzsák bemeneti nyílás

Tartozék jegyzék

- Robotporszívó
- Töltőállomás
- Hálózati vezeték
- Forgókefe
- Tisztító kefe
- Törlőruhák mosása
- Porzsák

MŰSZAKI PARAMÉTEREK

Porszívó	Akkumulátor	Li-ion, 14,4 V, 5000 mAh
	Bemeneti feszültség	23,65 V, 2,5 A
	Töltési idő	4-5 óra
	Üzemelési idő	90 minut
	Méreték (átmérő * magasság)	35 × 10,5 mm
	Tömeg	3,7 kg (robotporszívó) 12,4 kg (robotporszívó + töltőállomás)
	Porgyűjtő edény térfogata	400 ml
	Víztartály térfogata	80 ml
	Zajszint	55-70 dB
Töltőállomás	Bemeneti feszültség	220-240 V~
	Névleges teljesítményfelvétel	24 W (töltés közben) 80 W (szárításkor) 800 W (víz melegítésekor) 1000 W (porgyűjtő edény tartalmának az átszívása közben)

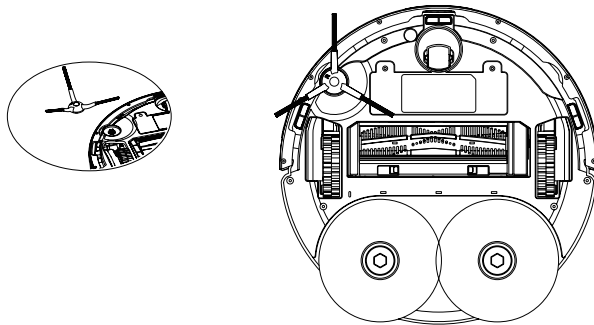
ELŐKÉSZÜLET A HASZNÁLATHOZ

Az első használatba vétel előtt

1. Vegye ki a készüléket és tartozékait a csomagolásból. A csomagolóanyag megsemmisítése előtt ellenőrizze le, hogy abból kivett-e minden tartozékot. Ellenőrizze le a készülék sérülésmentességét.
2. Távolítson el minden öntapadó címkét, védőfóliát és ragasztószalagot a készülékről, a lökhárítóról, a töltőállomásról és a porgyűjtő edény környékéről.

A forgókefe beszerelése

1. A készüléket fordítsa fejtetőre.
2. A forgókefét dugja a készülék alján található tartókba, kattánás jelzi a rögzítést.
3. A robotporszívót fordítsa üzemi helyzetbe.



A forgókefékkel sima padlókat lehet felporszívózni. A kefék biztosítják a sarkok, fal melletti részek és bútorok körüli hatékony takarítást. Szőnyeg porszívózása előtt a forgókeféket le kell szerelni. A forgókeféket a fenti lépések fordított sorrendben történő végrehajtásával szerelje ki.

Töltőállomás

A töltőállomás rendeltetései:

- porszívó akkumulátorának az automatikus feltöltése;
- porgyűjtő edény tartalmának az átszívása;
- víz betöltése a tartályba;
- törölruha tisztítása és szárítása.

A töltőállomást a fentiek miatt jól elérhető helyre kell tenni, hogy a porszívó könnyedén megtalálja és be tudjon parkolni.

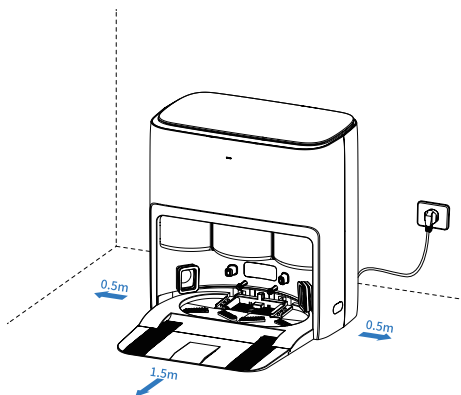
A töltőállomást szilárd, vízszintes és száraz padlóra, egy fali aljzat közelébe helyezze le. A töltőállomást lehetőleg a fal mellé állítsa fel.

A töltőállomás mellett (mindkét oldalon)

hagyjon legalább 0,5 méter, a töltőállomás előtt legalább 1,5 méter szabad helyet. Ezen a területen belül nem lehet semmilyen akadály sem, hogy a porszívó megtalálja a töltőállomást és abba be tudjon parkolni.

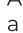
A hálózati vezetékét csatlakoztassa a töltőállomás hátulján található aljzathoz, majd a csatlakozódugót dugja a fali aljzatba. A hálózati vezetékét úgy helyezze el, hogy abba senki sem akadjon el, a porszívó forgó keféi ne tekerjék fel a vezetékét, illetve a vezeték nem lehet forró és éles tárgyakra helyezve.

Ha a porszívót hosszabb ideig nem kívánja használni, akkor a hálózati adaptert húzza ki a töltőállomásból és a fali aljzatból, és biztonságos helyen tárolja.



Az akkumulátor feltöltése

Az első használatba vétel előtt a robotporszívó akkumulátorát teljesen fel kell tölteni. A következő lépéseket hajtsa végre:

1. A töltőállomást a fentiek szerint helyezze el és csatlakoztassa a fali aljzathoz.
2. A robotporszívó bekapcsolásához nyomja meg és 3 másodpercig tartsa benyomva a  gombot. Várja meg a gombok háttérvilágításának a bekapcsolását.
3. A porszívót tegye a töltőállomásba úgy, hogy a porszívó érintkezői a töltőállomás érintkezőihez hozzáérjenek. Az érintkezők megfelelő érintkezése után a töltés automatikusan megkezdődik.

4. Az akkumulátor töltése közben a porszívó gombok háttérvilágítása lassan villog.
5. Amikor a háttérvilágítás már folyamatosan világít, akkor az akkumulátor teljesen fel van töltve.

A robotporszívó a takarítás befejezése után automatikusan a töltőállomáshoz hajt és beparkol, majd megkezdődik az akkumulátor töltése. Ezért a töltőállomást ne válassza le az elektromos hálózatról. Az akkumulátor teljes feltöltése után a töltés automatikusan befejeződik.

Amennyiben takarítás közben az akkumulátor feszültsége egy bizonyos szint alá csökken, akkor a porszívó automatikusan megszakítja a takarítást, a töltőállomáshoz hajt és beparkol, majd megkezdődik az akkumulátor töltése. Az akkumulátor feltöltése után a porszívó onnan folytatja a takarítást, ahol a töltés előtt azt megszakította.

Megjegyzés:



amennyiben a porszívó nem találja a töltőállomást, akkor visszatér arra a helyre, ahol megszakította (vagy befejezte) a takarítást. Ezt követően a porszívót kézzel kell a töltőállomásba helyezni. Amennyiben a töltőállomás keresése közben a porszívó akkumulátora teljesen lemerül, akkor a porszívó ezen a helyen leáll. Ilyen esetben is kézzel kell a porszívót a töltőállomásba helyezni.



Megjegyzés:

ha a porszívót hosszabb ideig nem használja, az akkumulátort akkor is töltsse fel 2-3 havonta legalább egyszer. Ezzel meghosszabbítható a beépített akkumulátor élettartama.



Figyelmeztetés!

A robotporszívó működése közben a töltőállomást ne helyezze át másik helyre.

A robotporszívó gombok háttérvilágítási állapotai

A háttérvilágítás lassan villog: az akkumulátor töltődik.

A háttérvilágítás folyamatosan világít: az akkumulátor fel van töltve, a készülék használatra kész.

A töltőállomás LED kijelzők állapotai

A LED kijelző kék színnel világít: normál állapot.

A LED kijelző piros színnel világít: hiba a töltőállomáson.

A tiszta víz tartály feltöltése

Amennyiben a robotporszívót a porszívózás mellett a padló feltörléséhez is használni kívánja, illetve ha a készüléket csak a padló feltörléséhez kívánja használni, akkor a tiszta víz tartályba hideg és tiszta vizet kell betölteni.

1. Nyissa ki a töltőállomás fedelét és a tiszta víz tartályt vegye ki.
2. Nyissa ki a tartály fedelét és a MAX jelig töltsön be tiszta és hideg vizet.
3. Zárja le a fedelet. Ügyeljen arra, hogy a fedélzár bekattanjon és megfelelő módon rögzítse a fedelet.
4. A víztartályt tegye vissza a töltőállomásba és zárja le a töltőállomás fedelét.
5. Amennyiben a tartályban már kevés a víz, akkor erre az alkalmazás hívja fel a figyelmét. A tartály feltöltését a fentiek szerint hajtja végre.



Figyelmeztetés!

A tartályba csak tiszta és hideg vizet töltsön be. A tartályba meleg vagy forró vizet tölteni tilos. A vízhez tilos bármilyen tisztítószerrel vagy vegyi anyagot adagolni. Ellenkező esetben a készülék meghibásodhat.



Megjegyzés:

az alkalmazásban be lehet állítani a törlés gyakoriságát, a meleg vizes felmosást stb.

A helyiség előkészítése a takarítás előtt.

A takarítás megkezdése előtt bizonyos intézkedéseket kell megtenni, hogy a porszívó ne sérüljön meg a használat közben, illetve ne alakuljanak ki kockázatos helyzetek.

1. A padlóról távolítsa el minden vezetékét és tárgyat, amelyeket a porszívó feltekerhetne, vagy amelyekbe elakadhatna.
2. Ha a szőnyegek szélén díszítő szálak vannak, akkor azokat hajtsa be a szőnyeg alá, ellenkező esetben a porszívó ezekre feltekeredhet. A porszívóval nem lehet túl magas (26 mm-nél magasabb) szálú szőnyegeket porszívózni.
3. Ügyeljen arra, hogy a porszívó ne menjen 70 mm-nél alacsonyabb helyre (pl. bútor alá), mert a porszívó beszorulhat. Ha szükséges, akkor az ilyen nyílásokat valamivel takarja el.
4. A porszívóval nedves felületeket nem lehet porszívózni. A készüléket ne tegye ki nedvesség és víz hatásának.
5. A robotporszívó 16 mm magas akadályt tud leküzdeni. Az ennél magasabb akadályokat távolítsa el a padlóról.
6. A robotporszívóba épített érzékelők meg tudják akadályozni a készülék leesését lépcsőknél stb. Az érzékelők azonban nem működnek megbízható módon, ha a padló túl sötét vagy erősen tükröző anyagból készült, illetve ha az érzékelőkön szennyeződéslerakódás van. Ezért javasoljuk, hogy inkább megfelelő akadállyal zárja el a veszélyes területeket.

Általános takarítási elvek

- A robotporszívó minden üzemmódban úgy állítja be a takarítási útvonalat, hogy a helyiség vagy az adott hely takarítása hatékony legyen.
- Az első használatba vétel előtt a robotporszívó akkumulátorát teljesen fel kell tölteni.
- A takarítás indításához a robotporszívón található gombot nyomja meg, vagy a készüléket az alkalmazásból is indíthatja.
- Amennyiben a takarítás ideje 10 percnél rövidebb, akkor a készülék kétszer takarít. Ez normális jelenség.
- Amennyiben takarítás közben az akkumulátor feszültsége egy bizonyos szint alá csökken, akkor a porszívó automatikusan megszakítja a takarítást, a töltőállomáshoz hajt és beparkol, majd megkezdődik az akkumulátor töltése. Az akkumulátor feltöltése után a porszívó onnan folytatja a takarítást, ahol a töltés előtt azt megszakította.
- Ha a takarítás közben a porszívó porgyűjtő edénye megtelik szennyeződésekkel, akkor a készülék megszakítja a takarítást és a töltőállomáshoz hajt. A beparkolás után a töltőállomás automatikusan átszívja a töltőállomásba helyezett porszívóba a porszívó porgyűjtő edényének a tartalmát. Az átszívás közben porszívózási hang hallatszik, amely intenzívebb, mint a porszívó üzemelése közben hallható porszívózási hang. Ez normális jelenség.

- Amikor a porszívó padlótörlés közben azt érzékeli, hogy a tartályában kevés a víz, akkor megszakítja a takarítást, a töltőállomásba hajt, ahol megtörténik a víztartály automatikusa feltöltése. A víz betöltése után a porszívó onnan folytatja a takarítást, ahol a töltés előtt azt megszakította.





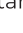

Megjegyzés:

a mobiltelefonra telepített alkalmazásban be lehet állítani a vízbetöltés intervallumát, a padlótörő ruhára adagolt víz mennyiségét és a padlótörést stb.

- Porszívózás és padlótörés üzemmódban a porszívó automatikusan beazonosítja a padló típusát, és amennyiben kemény padlóról szőnyegre hajt rá, akkor automatikusan felemeli a padlótörő egységet (nem kell kézzel kiszerezni a padlótörő egységet). Amikor a porszívó a szőnyegről ismét kemény padlóra (pl. járólapra) hajt, akkor a padlótörő egységet automatikusan a padlóra engedi le, és folytatja a padló törését.
- A 12 mm-nél alacsonyabb szálú szőnyegeket, futószőnyegeket, lábtörőket stb. javasoljuk felszedni a takarítás előtt, illetve ezek köré virtuális falat lehet létrehozni az alkalmazásban (a robot elkerüli a kijelölt területeket).
- A takarítás befejezése után a porszívó megkeresi a töltőállomást. A beparkolás után megtörténik a porszívó tisztítása: a töltőállomás kiszívja a porgyűjtő edény tartalmát, lemossa és kitisztítja a törőruhákat. Ezt követően automatikusan feltölti a porszívó akkumulátorát.

HASZNÁLAT

Be- és kikapcsolás

A robotporszívó bekapcsolásához nyomja meg és 3 másodpercig tartsa benyomva a  gombot. A  és a  gombok világítása bekapcsol. A porszívó használatra kész. A porszívó lekapcsolásához a  gombot addig tartsa benyomva, amíg a gombok világítása ki nem kapcsol. A porszívó lekapcsol.



Megjegyzés:

a porszívót töltés közben nem lehet lekapcsolni.

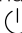


Megjegyzés:


ha a porszívó akkumulátora már majdnem lemerült, akkor nem lehet készenléti üzemmódba kapcsolni.

Készenléti üzemmód és automatikus kikapcsolás

Amennyiben a szüneteltetés 10 percnél hosszabb, akkor a gombok háttérvilágítása kikapcsol, a készülék alvó állapotba kapcsol át. Bármelyik gomb megnyomásával a készülék ismét „felébred” és használatra kész állapotba kapcsol át.


Ha a készülék 24 óránál hosszabb ideig volt készenléti üzemmódban, akkor automatikusan kikapcsol. A porszívó bekapcsolásához nyomja meg és tartsa benyomva a  gombot.

Automatikus takarítás indítása

Bekapcsolt porszívón nyomja meg röviden a  gombot. A porszívó először körbe megy a falak mentén, majd „Z” alakban kitakarítja a helyiséget. Az automatikus takarítás az alapértelmezett üzemmód.

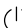
Amennyiben a takarítás ideje 10 percnél rövidebb, akkor a helyiséget még egyszer kitakarítja. Ez normális jelenség.

Helyi takarítás indítása


Bekapcsolt porszívón nyomja meg hosszan (3 másodpercig) a  gombot. A porszívó helyi takarítást hajt végre. Az indítás helyét a porszívó középpontként értékeli ki, és 1,5 × 1,5 m-es négyzetben hajt végre takarítást. A takarítás befejezése után a porszívó visszatér a középpontra.

Takarítás megszakítása / folytatása


A takarítás szüneteltetéséhez röviden nyomja meg a  gombot. A takarítás folytatásához a  gombot nyomja meg, a porszívó folytatja a megkezdett takarítást.

Amennyiben a szüneteltetés 10 percnél hosszabb, akkor a gombok háttérvilágítása kikapcsol, a készülék alvó állapotba kapcsol át. A porszívó felébresztéséhez nyomja meg bármelyik gombot. A takarítás folytatásához röviden nyomja meg a  gombot.

A porszívó töltőállomásba küldése

A bekapcsolt és működő porszívón nyomja meg a  gombot. A készülék abbahagyja a takarítást, megkeresi a töltőállomást, beparkol, majd automatikusan megkezdődik az akkumulátor töltése.

Gyerekszár

Amikor a gyerekszár be van kapcsolva, a gombok nem reagálnak a megnyomásra. A gyerekszár kikapcsolásához nyomja meg és 3 másodpercig tartsa benyomva a  gombot.

Hibaüzenetek

Amennyiben valamilyen probléma merül fel a takarítás közben, akkor a gombok piros színnel villognak. Figyelmeztető sípszó is hallatszik. Olvassa el a **Problémamegoldás** részben leírtakat.



Megjegyzés:

a hibaüzenetek a mobil alkalmazásban is megjelennek.

A robotporszívó újraindítása

Amennyiben a robotporszívó nem reagál a gombok nyomogatására, vagy a készüléket nem lehet kikapcsolni, akkor vegye le e fedelet és nyomja meg a **RESET** gombot. A rendszer automatikusan újraindítja a robotporszívót.



Megjegyzés:

a robotporszívó újraindítása után minden korábbi beállítás (pl. tervezett takarítás, Wi-Fi beállítások stb.) törlődik. Ezeket ismételten be kell állítani.

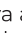

MŰKÖDTETÉS MOBIL ALKALMAZÁSBÓL

A robotporszívót a mobiltelefonra vagy táblagépre telepített alkalmazás segítségével is lehet működtetni.



Az alkalmazás letöltése

1. Töltse le és telepítse a Tuya Smart alkalmazást az okostelefonjára. Az alkalmazást az útmutató elején található QR kód segítségével töltsse le.
2. A robotporszívó csak a 2,4 GHz-es Wi-Fi adatátvitelt támogatja, ezért ha a Wi-Fi router 5 GHz-en működik, akkor azt át kell kapcsolni 2,4 GHz-re.
3. Hozzon létre fiókot és jelentkezzen be az alkalmazásba.
4. Az alkalmazásban kövesse a telepítési, regisztrálási és bejelentkezési utasításokat.



Eszköz hozzáadása QR-kóddal

1. Kapcsolja be a porszívót.
2. Az alkalmazásban kattintson a „+” ikonra a jobb felső sarokban, és válassza az „Eszköz hozzáadása” lehetőséget.
3. Kattintson a [-] ikonra a jobb felső sarokban.
4. Olvassa be a QR kódot, amely a kézikönyv bevezető részében található, ill ez a QR-kód ráragadt a robotporszívóra a felső burkolat alatt.
5. Kattintson a „Hozzáadás” gombra, hogy hozzáadja a robotporszívót az alkalmazáshoz.
6. Az alkalmazás felszólítja a Wi-Fi újraindítására, ehhez egyidejűleg nyomja meg és tartsa benyomva a 3 másodpercig a  és a  gombokat. A gombok háttérvilágítása villogni kezd. Az alkalmazásban erősítse meg, hogy a gombok villognak.
7. A párosítás után a robotporszívó a működtethető készülékek jegyzékében jelenik meg. Kattintson a Befejezés elemre, megnyílik a robotporszívó működtetés képernyő.

A készülék kézi felvétele

1. Kapcsolja be a porszívót.
2. Az alkalmazás kezdőképernyőjén a jobb felső sarokban érintse meg a „+” ikont és válassza a „Készülék hozzáadása” elemet.
3. A képernyőn érintse meg a „Hozzáadás kézzel” elemre. Érintse meg a „Kis háztartási készülékek” elemet, majd a listában jelölje meg a „Robotporszívó (Wi-Fi)” opciót.
4. A következő képernyőn jelölje ki a használni kívánt Wi-Fi hálózatot és adja meg a jelszót. Érintse meg a Tovább gombot.
5. Az alkalmazás felszólítja a Wi-Fi újraindítására, ehhez egyidejűleg nyomja meg és tartsa benyomva a 3 másodpercig a  és a  gombokat. A gombok háttérvilágítása villogni kezd. Az alkalmazásban erősítse meg, hogy a gombok villognak.
6. A párosítás után a robotporszívó a működtethető készülékek jegyzékében jelenik meg. Kattintson a Befejezés elemre, megnyílik a robotporszívó működtetés képernyő.

A Wi-Fi újraindítása

A Wi-Fi újraindításához egyidejűleg nyomja be és tartsa benyomva 3 másodpercig a  és a  gombokat. Rövid sípszó hallatszik, majd a Wi-Fi modul újraindul.

A Wi-Fi-t indítsa újra, ha:

- erre a lépésre felszólítja a mobilalkalmazás;
- nem sikerült sem automatikusan, sem kézzel felvenni a készüléket az alkalmazásba;
- megváltoztatta vagy elfelejtette a Wi-Fi jelszót;
- megváltoztatta a Wi-Fi konfigurációt;
- a készüléket egy másik felhasználói fiókhöz kívánja csatlakoztatni.

A robotporszívó hangereje és felhasználói nyelve

A robotporszívó működtetése közben hangos üzenetek hallatszanak. A hang üzenetek alapértelmezett nyelve: angol. A hangos üzenetek nyelvét és hangerejét (vagy kikapcsolását) az alkalmazásban lehet beállítani.

Az alkalmazásban elérhető funkciók

Az alkalmazás segítségével használhatja a robotporszívó fejlett funkcióit (pl. a takarítási üzemmódok beállítását stb.). A következő funkciók érhetők el az alkalmazásban:

- porszívózás vagy porszívózás és padlótörlés kiválasztása;
- víz betöltési intervallum a tartályba, törlőruha nedvesítése;
- porszívózási üzemmód kiválasztása: csendes / standard / nagy teljesítmény;
- takarítási üzemmód kiválasztása: takarítás helyiségek szerint, kijelölt terület takarítása stb.;
- tiltott területek beállítása / virtuális fal létrehozása;
- a törlőruha tisztítása meleg vízzel;
- lakás térkép létrehozása, a térkép frissítése valós időben, újraindítás;
- takarítás tervezett időpontban;
- víz adagolása a padlótörléshez;
- „ne zavarjon” üzemmód beállítása;
- figyelmeztető és hibaüzenetek, stb.

TISZTÍTÁS ÉS KARBANTARTÁS

A tisztítás megkezdése előtt a készüléket kapcsolja le, és ne csatlakoztassa a hálózati adapterhez.

A készülék élettartamának a meghosszabbítása érdekében javasoljuk, hogy minden használatba vétel után tisztítsa meg a készüléket.



Figyelmeztetés!

A porszívót, a hálózati adaptert és a töltőállomást vízbe vagy más folyadékba mártani, vagy folyóvíz alatt elmosni tilos.

A tisztításhoz ne használjon karcoló szemcséket tartalmazó tisztítószerket, drótszivacsot vagy fém eszközöket, illetve agresszív anyagokat (pl. benzint) tartalmazó készítményeket. Ezek a termék felületén maradandó sérüléseket okozhatnak.

Ajánlott tisztítási és karbantartási intervallumok

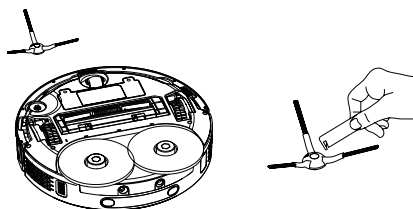
A robotporszívót és tartozékait tartsa tiszta állapotban. Ezzel meghosszabbítható a készülék élettartama, a takarítás hatékony marad, a készülék állandó teljesítménnyel üzemel. A alábbi táblázatban megtalálja a robotporszívó és tartozékai tisztítási és karbantartási intervallumait.

A robotporszívó része	Tisztítás intervalluma	Csere intervalluma
Törlőruha	Szükség szerint kézi tisztítás Automatikus tisztítás minden használat után.	3 havonta, a használat gyakoriságától függően.
Porzsák	--	Amikor megjelenik a teli porzsák figyelmeztetés, illetve 2 - 3 havonta.
Oldalsó forgókefe	2 hetente.	3 - 6 havonta.
Középső forgókefe	Minden héten.	6 - 12 havonta.
MI kamera Kerekek Érzékelők Töltő érintkezők	Minden héten.	--
Törlőruha tisztító	2 hetente.	--
Tiszta víz tartály.	Havonta.	--
Koszos víz tartály	Minden padlótörlés és törlőruha tisztítás után	--
Porgyűjtő edény	2 hetente.	--
Porgyűjtő állomás	2 hetente.	--

ROBOTPORSZÍVÓ

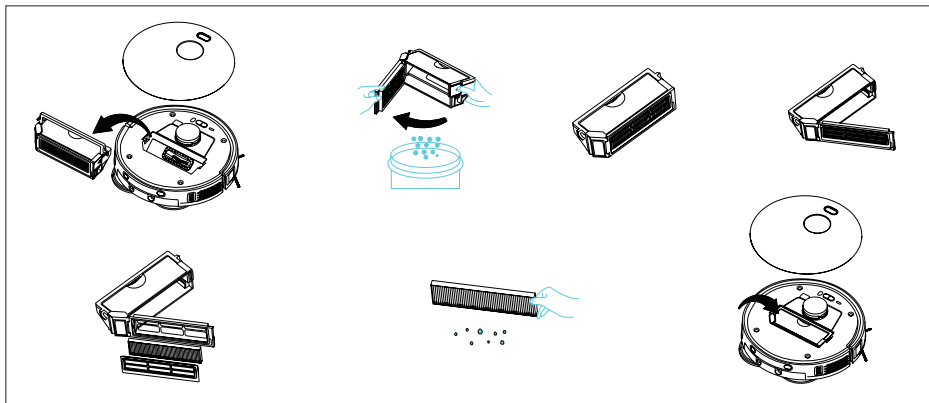
A forgókefe tisztítása

1. A forgókefét szerelje ki és a készülékhez mellékelte kefével tisztítsa meg.
2. A nagyon koszos keféket folyóvíz alatt alaposan mossa le, majd tökéletesen szárítsa meg. Ha takarítás közben a forgókefe sörtéi elgörbültek, akkor a sörtéket meleg vízbe mártva egyenesítse ki.
3. A visszaszerelés előtt a keféket tökéletesen szárítsa meg.
4. Ha a forgókefe elkopott vagy sérült, akkor vásároljon új kefét.



A porgyűjtő edény és a HEPA szűrő tisztítása

A porgyűjtő edényt minden használat után tisztítsa meg (ürítse ki a tartalmát). Szükség esetén takarítás közben is ki kell üríteni a porgyűjtő edényt. Ilyen esetben szüneteltesse a porszívó működését. A porgyűjtő edény megteltéről az alkalmazásban jelenik meg figyelmeztetés.



1. Hajtsa fel a fedelet, fogja meg a porgyűjtő edény fogantyúját és a porgyűjtő edényt vegye ki.
2. Nyissa ki az edényt és a tartalmát öntse a háztartási hulladékok közé. Higiéniai okokból a porgyűjtő edényt csak olyan helyen szabad tisztítani, ahol az elszálló por senkit sem zavar.
3. Az edényből vegye ki a HEPA szűrőtartót és a szűrőt, a HEPA szűrőt finom ütögetéssel tisztítsa meg. A szűrőt a mellékelt tisztítókefével is tisztítsa meg. A HEPA szűrőt nem lehet vízben elmosni. Ha a HEPA szűrő megsérült vagy túlságosan eltömődött, akkor tegyen be új HEPA szűrőt. A tiszta és száraz HEPA szűrőt tegye a szűrőtartóba, majd szerelje vissza a porgyűjtő edénybe.



Megjegyzés:

a sérült és eltömődött HEPA szűrő csökkenti a porszívózás hatékonyságát. Ezért fontos, hogy a szűrők legyenek mindig tiszták.

4. Szükség szerint, a porgyűjtő edényt folyóvíz alatt is el lehet mosni (majd hagyja tökéletesen megszáradni).
5. A tisztítás után, a visszaszerelés előtt ellenőrizze le, hogy a porgyűjtő edény és a HEPA szűrő tiszta és száraz-e.
6. A porgyűjtő edény fedelét zárja le, majd a porgyűjtő edényt tegye vissza a porszívóba.

A törlőruha és a tartó tisztítása

1. A rendszer minden használat (padlótörlés) után automatikusan megtisztítja törlőruhát.
2. Amikor a robotporszívó beparkol a töltőállomásba, akkor kis mennyiségű víz adagol a törlőruha tisztító térben. A robotporszívó kis ideig bekapcsolja a törlőruha forgatását, miközben arról eltávolodik a szennyeződés. A törlőruha tisztító térben finom és puha bütykök vannak, amelyek segítik a törlőruha mosását és tisztítását.
3. A törlőruha kimosása után a töltőállomás a koszos vizet a koszos víz tartályba szivattyúzza.
4. A rendszer rövid időre bekapcsolja a törlőruha szárítást.

Időnként a törlőruhát vegye le a tartóról és kézzel mossa ki. A vízbe tehet finom mosószert is. Mossa ki kézzel a padlótörlő ruhát és arról távolítson el minden szennyeződést. A padlótörlő ruhát alaposan öblítse ki, csavarja ki és szobahőmérsékleten hagyja megszáradni. A törlőruha élettartamának a megőrzése érdekében ne mossa túl gyakran kézzel a törlőruhát.

A törölrúha tartót a törölrúha leszerelése után benedvesített ruhával törölje meg. Ne használjon kefét, drótszivacsot stb. a tisztításhoz, mert a tépőzár meghibásodhat.

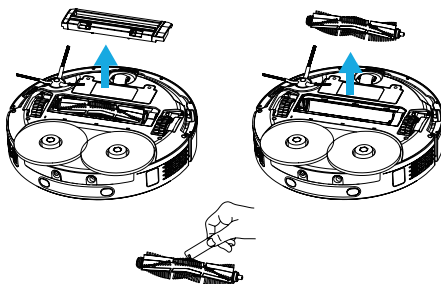


Megjegyzés:

a padlótörő ruhát nem lehet mosógépben kimosni és szárítógépben szárítani.

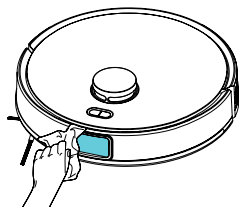
A középső forgókefe tisztítása

1. A reteszeket nyomja meg és hajtsa fel a középső forgókefe fedelét.
2. Fogja meg a forgókefe egyik végét és óvatosan húzza ki a tartóból.
3. A forgókeféről és a csapágyakról távolítsa el a szennyeződéseket (feltekeredett haját és állati szőrt, szövet szálakat stb.).
4. Tisztítsa meg a forgókefe alatti részeket is (száraz ruha használatával), és ellenőrizze le, hogy a szivónyílás nincs-e eldugulva.
5. A forgókefét tegye vissza a porszívóba és a fedelet is szerelje vissza. Finoman, kattanásig nyomja be. Kattanás jelzi a megfelelő rögzülést.

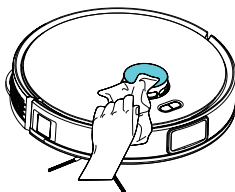


A szenzorok tisztítása

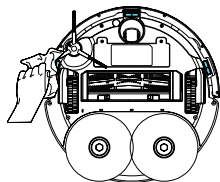
Fontos, hogy a készüléken és a tölteállomáson található szenzorokat és érintkezőket rendszeresen tisztítsa meg, mert ezek biztosítják a porszívó biztonságos működését. A szenzorokról puha és száraz ruhával távolítsa el a szennyeződéseket.



MI kamera

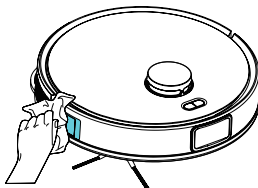


Lézeres modul



Alsó érzékelők

Töltő érintkezők a porszívón

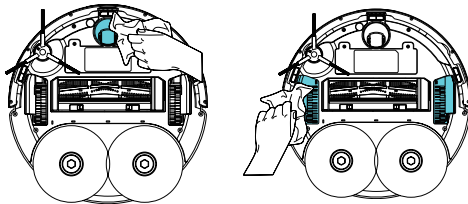


Oldalsó érzékelők

Töltő érintkezők a tölteállomáson

A hajtott kerekek és a kormányzott kerék tisztítása

Rendszeresen távolítsa el a kerekekre feltekeredett hajszálakat és állati szőröket, valamint a textil szálakat. A tisztításhoz használja a mellékelt kefét.



A porszívó külső felületének a tisztítása

A készüléket tiszta és száraz ruhával törölje meg.

TÖLTŐÁLLOMÁS

A tiszta víz tartály tisztítása

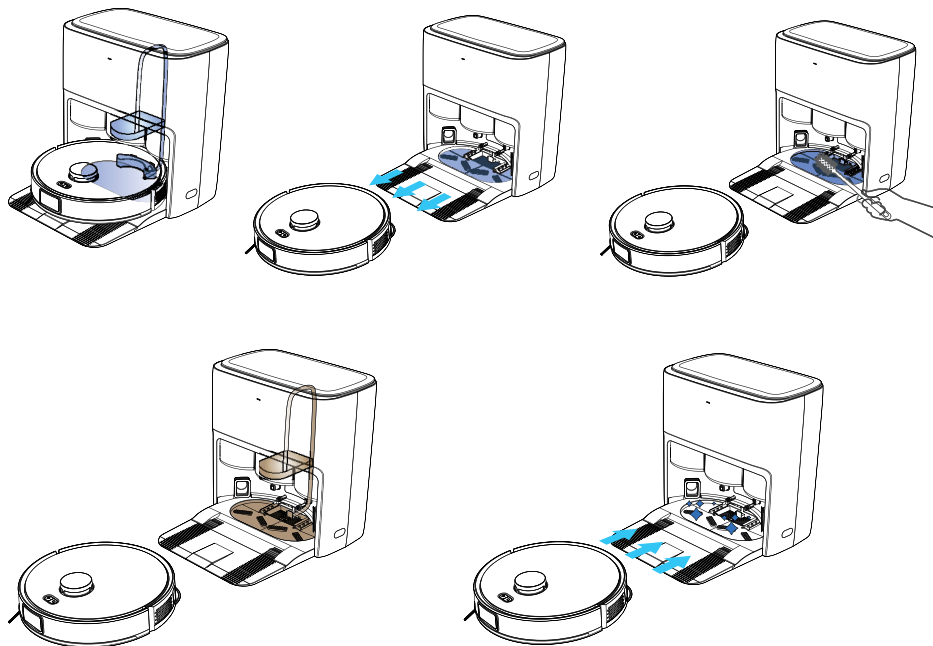
1. Nyissa ki a töltőállomás fedelét és a tiszta víz tartályt vegye ki.
2. Nyissa ki a tartály fedelét és a tartalmát öntse ki.
3. A tartályt meleg vízzel és puha ruhával tisztítsa meg. A puha ruhára adagolhat pár csepp mosogatószeret is. Tiszta vízzel öblítse ki és szárítsa meg (törölje szárazra).
4. A víztartályba a MAX jelig töltsön tiszta vizet.
5. Zárja le a fedelet. Ügyeljen arra, hogy a fedélzár bekattanjon és megfelelő módon rögzítse a fedelet.
6. A víztartályt tegye vissza a töltőállomásba és zárja le a töltőállomás fedelét.

A koszos víz tartály tisztítása

1. Nyissa ki a töltőállomás fedelét és a koszos víz tartályt vegye ki.
2. Nyissa ki a tartály fedelét és a tartalmát öntse ki.
3. A tartályt meleg vízzel és puha ruhával tisztítsa meg. A puha ruhára adagolhat pár csepp mosogatószeret is. Tiszta vízzel öblítse ki és szárítsa meg (törölje szárazra).
4. Zárja le a fedelet. Ügyeljen arra, hogy a fedélzár bekattanjon és megfelelő módon rögzítse a fedelet.
5. A víztartályt tegye vissza a töltőállomásba és zárja le a töltőállomás fedelét.

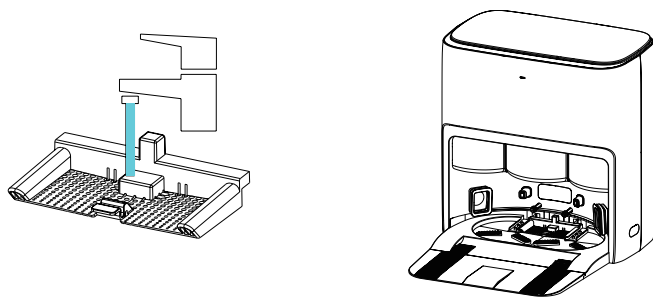
A töltőállomás belső részének a tisztítása

1. Az alkalmazásban jelölje ki a belső rész tisztítása elemet.
2. A robotporszívó automatikusan kihajt a töltőállomásból.
3. A belső részbe kis mennyiségű víz adagolódik.
4. Finom kefe segítségével távolítsa el a port és a szennyeződések, valamint tisztítsa meg a törőruha tisztító bütyköket.
5. Kb. 3 perc múlva a töltőállomás a vizet átszivattyúzza a koszos víz tartályba. A belső teret enyhén benedvesített puha ruhával törölje meg, majd törölje szárazra.
6. A tisztítás befejezése után a robotporszívó automatikusan visszaparkol a töltőállomásba.



A vízsűrő tisztítása

A vízsűrő a koszos víz tartály előtt szűri meg a koszos tartályba szivattyúzott vizet, megvédi a csöveket az eltömődéstől.



1. Vegye ki a vízsűrőt a belső térből.
2. A vízsűrőt meleg vízben tisztítsa meg. A puha ruhára adagolhat pár csepp mosogatószer is. Tiszta vízzel öblítse ki és szárítsa meg (törölje szárazra).
3. Tegye vissza a helyére, kattanás jelzi a helyes rögzülést.

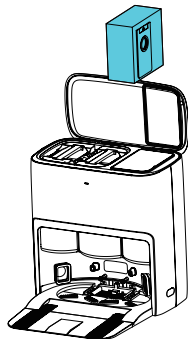


Figyelmeztetés!

A töltőállomást vízsűrő nélkül ne üzemeltesse. A töltőállomás meghibásodhat.

A porzsák cseréje

1. A töltőállomás fedelét nyissa ki.
2. Fogja meg a porzsák fogantyúját és húzza ki a töltőállomásból. Amikor a porzsákat felfelé húzza, a porzsák nyílása automatikusan bezárul, így a por és a szennyeződések nem esnek ki a porzsákból. A porzsákat dobja ki a szemétkébe.
3. A porzsák tároló belső terét puha szivaccsal törölje ki.
4. A porzsákat tegye a töltőállomásba úgy, hogy a szívónyílás a töltőállomás nyílásával legyen szemben. A fogantyú belül az itt kiképzett tartóba.
5. A töltőállomás fedelét zárja be.



A töltőállomás külső felületének a tisztítása

A töltőállomást tiszta és száraz ruhával törölje meg.

Tárolás

A készüléket és tartozékait, valamint a HEPA szűrőt is tisztítsa és szárítsa meg, majd a porszívót szabályszerűen szerelje össze. Tisztítsa meg a tiszta és koszos víz tartályokat, cserélje ki a porzsákat. A készüléket száraz és jól szellőző, gyerekektől és háziállatoktól elzárt helyen tárolja. A készülékre ne helyezzen rá tárgyakat.

Az akkumulátor élettartamának a megőrzése érdekében az akkumulátort 3 havonta legalább egyszer töltsse fel.

PROBLÉMAMEGOLDÁS

Probléma	Ok	Megoldás
A porszívót nem lehet bekapcsolni.	Az akkumulátor lemerült.	Kézzel tegye a porszívót a töltőállomásba.
Az akkumulátor nem töltődik fel.	A porszívó és a töltőállomás érintkezői nem érintkeznek.	Ellenőrizze le a porszívó töltőállomásba helyezését. Tegye kézzel a töltőállomásba a porszívót. Amikor a töltés megkezdődik, a töltéskijelző bekapcsol.
	A töltőállomás nincs az elektromos hálózathoz csatlakoztatva.	A töltőállomást csatlakoztassa az elektromos hálózathoz.
	A porszívó akkumulátora teljesen lemerült, pl. mert az hosszú ideig nem használta.	Amennyiben a hiba nem szűnik meg, akkor forduljon a márkaszervizhez. Ha a porszívót hosszabb ideig nem használja, az akkumulátort akkor is rendszeresen fel kell tölteni (három havonta legalább egyszer).
Az akkumulátor töltése túl sokáig tart.	A töltés túl meleg vagy túl hideg helyiségben történt. Ilyen helyen a töltés hosszabb ideig tart.	A töltőállomást tegye optimális hőmérsékletű helyre.

Probléma	Ok	Megoldás
A porszívó felvétele az alkalmazásba nem sikerült.	Helytelen Wi-Fi jelszót adott meg.	Adja meg a helyes jelszót.
	A porszívó a router hatótávolságán kívül van.	A készüléket vigye a router hatótávolságán belülre.
	A porszívó nincs párosítás üzemmódban.	Bekapcsolt porszívón, egyidejűleg, 3 másodpercig tartsa benyomva a porszívó működtető gombjait. Síp-szó hallatszik és a gombok világítása villogni kezd. A robotporszívó párosítás üzemmódba kapcsol.
	A Wi-Fi hálózat 5 GHz-es.	A porszívó csak a 2,4 GHz-es Wi-Fi hálózatot támogatja. Az okostelefont kapcsolja át erre a Wi-Fi hálózatra.
	Nem megfelelő eszközt jelölt meg.	Párosításhoz a robotporszívót jelölje meg.
A porszívó túl hangos a takarítás közben.	Az oldalsó vagy a középső forgókefe leblokkolt.	Szüntesse meg a blokkolás okát.
	Túl magas szívóteljesítményt állított be.	Ez normális jelenség.
	A kerekek leblokkoltak.	Szüntesse meg a blokkolás okát.
Csökkent a porszívózás hatékonysága.	A porzsák megtelt.	Cserélje ki a porzsákot.
	A HEPA szűrő eltömődött.	Tisztítsa meg a HEPA szűrőt.
	Az oldalsó vagy a középső forgókefe leblokkolt.	Szüntesse meg a blokkolás okát.
	A töltőállomás szívónyílása eldugult.	Tisztítsa meg a szívónyílást a töltőállomásban.
A porszívó nem hajtotta végre a programozott takarítást.	Az akkumulátor lemerült. A programozott takarítás nem indul el, ha az akkumulátor töltöttsége 30 % alatt van.	Várja meg az akkumulátor feltöltését.
	Az alkalmazásban „Ne zavarj” módot állított be.	Az alkalmazásban kapcsolja ki a „Ne zavarj” módot.
	A programozott időpontban a porszívó más takarítási feladatot hajtott végre.	A programozott időpontban a porszívót ne használja más takarításra.

Probléma	Ok	Megoldás
A töltés után a porszívó nem folytatja a takarítást.	Az alkalmazásban „Ne zavarj” módot állított be.	Az alkalmazásban kapcsolja ki a „Ne zavarj” módot.
	Amennyiben a porszívót kézzel teszi a töltőállomásba, akkor nem folytatja a takarítást.	Hagyja, hogy a porszívó keresse meg a töltőállomást.
A részleges takarítás vagy egy kézi áthelyezés után a porszívó nem találja a töltőállomást.	A részleges takarítás vagy egy kézi áthelyezés után a porszívó új térképet hoz létre, ezért nem találja a töltőállomást.	A porszívót kézzel a töltőállomásba.
A porszívó csak körbe-körbe jár, csak egy helyen takarít, vagy kihagy bizonyos helyeket.	A padlón idegen tárgyak vannak, amelyek akadályozzák a porszívó haladását.	A takarítás megkezdése előtt a felesleges tárgyakat, bútorokat stb. vigye másik szobába.
Az alkalmazásban nincs térkép.	A porszívó kézzel való mozgatása közben a térkép elveszhet.	Amennyiben a térkép már el lett mentve, akkor azt az alkalmazásból meg lehet újítani.
Az oldalsó forgókefe kiesik.	Az oldalsó forgókefe nincs helyesen beszerelve.	Szerelje le a forgókefét, majd szabályszerűen szerelje rá a tengelyre. A megfelelő illesztést kattánás jelzi.
A takarítás közben a törölőruha tartó kiesik.	A törölőruha tartó rosszul van felszerelve.	A tartót nyomja a porszívó felé, kattánás jelzi a rögzülést.
A törölőruha tartó nem fog.	A tartó forgását valami blokkolja.	Szüntesse meg a blokkolás okát.
A porszívó nem tud a töltőállomásba menni és beparkolni.	A töltőállomás nincs megfelelő módon elhelyezve.	A töltőállomást úgy helyezze el, hogy a porszívó azt probléma nélkül meg tudja közelíteni.
	A töltőállomás nincs a tápfeszültséghez csatlakoztatva.	A töltőállomást ne válassza le az elektromos hálózatról.
	Amíg a porszívó takarított, a töltőállomást más helyre tette át.	A takarítás közben ne helyezze át a töltőállomást.
	A porszívót a töltőállomáson kívül indította el.	A porszívót a töltőállomásban indítsa el.
	A töltőállomáshoz vezető úton valamilyen akadály van.	Távolítsa el a porszívó útjából az idegen tárgyat.

Probléma	Ok	Megoldás
A porszívó a takarítás befejezése előtt tért vissza a töltőállomásba.	Az akkumulátor töltöttsége alacsony, a készülékbe épített akkumulátort fel kell tölteni.	Várja meg az akkumulátor feltöltését. A feltöltés után a porszívó folytatja a takarítást.
	A takarítás helyén túl sok az akadály, amelyeket a porszívónak ki kell kerülnie.	A takarítás megkezdése előtt a felesleges tárgyakat, bútorokat stb. vigye másik szobába.
A porszívó takarítás közben elakadt.	A porszívó valamilyen vezetőekben, szőnyegben vagy függönyben elakadt.	A porszívót kézzel tegye át másik helyre.
	A porszívó alacsony bútor alatt elakadt.	A porszívót vegye ki. Az ilyen helyeket tiltott területként jelölje meg az alkalmazásban.
A porszívó össze-vissza jár, egyes helyeket többször, egyes helyeket egyáltalán nem takarít.	A porszívó rossz térképet hozott létre, amikor áthaladt valamilyen akadályon, küszöbön vagy lépcsőnél.	A porszívóval egyszerre csak egy helyiséget takarítson ki. A takarítás befejezése után a porszívó visszatér arra a helyre, ahol megkezdte a takarítást.
	A padlón olyan tárgyak vannak (például vezeték), amik hatással lehetnek a porszívó útvonalára.	A takarítás helyén a padlóról távolítsa el az idegen tárgyakat, valamint a vezetőkeket, a porszívó ezt követően minden helyet kitakarít.
	A padló nagyon csúszós, fényes stb. a kerekek megcsúsznak a padlón.	Várja meg a padló megszáradását.
	A lakáson belül előfordulhatnak olyan helyek, ahová a porszívó nem tud behajtani.	A bútorokat és tárgyakat úgy helyezze el, hogy a porszívó minél nagyobb területet tudjon feltakarítani.
Az alkalmazással való kapcsolatfelvétel túl hosszú.	A porszívó Wi-Fi jele gyenge.	Ellenőrizze le a Wi-Fi térrerőt a lakáson belül.
Az MI kamera nem ismeri fel a tárgyakat.	Az MI kamera lencséje piszkos.	Tisztítsa meg az MI kamera lencséjét.
Szoftver frissítési hiba.	A porszívó akkumulátora lemerült, a porszívó nincs a töltőállomásban.	A firmware frissítése előtt győződjön meg arról, hogy a porszívó akkumulátora legalább 50 %-ra fel van töltve.

Probléma	Ok	Megoldás
A töltőállomásba parkolás után nem történt meg automatikusan a porgyűjtő edény tartalmának a kiszívása.	A töltőállomás fedele nincs lezárva.	A töltőállomás fedelét zárja be.
	A porzsák nincs behelyezve.	Tegyen be új porzsákat.
	Amikor a porszívót kézzel teszi a töltőállomásba, akkor a porgyűjtő edény tartalmát a rendszer nem szívja ki automatikusan.	Hagyja, hogy a porszívó keresse meg a töltőállomást. Ezt követően megtörténik a porgyűjtő edény tartalmának az automatikus kiszívása.
	Padlótörlést állított be.	Ha csak padlótörlést állított be, akkor a rendszer nem szívja ki a porgyűjtő edény tartalmát. Állítson be porszívózást vagy porszívózást és padlótörlést.
	Az alkalmazásban a porgyűjtő edény tartalmának az elszívási intervallumát „Soha” értékre állította be.	Állítson be tényleges elszívási intervallumot.
	Az alkalmazásban a porgyűjtő edény tartalmának az elszívási intervallumát „Minden második porszívózás után” értékre állította be.	Állítson be más elszívási intervallumot.
A takarítás befejezése után a rendszer csak részben szívta ki a porgyűjtő edény tartalmát.	Az alkalmazásban „Ne zavarj” módot állított be.	Az alkalmazásban kapcsolja ki a „Ne zavarj” módot.
	Rövid időn belül ismételt takarítási megszakítás és porgyűjtő edény ürítés volt végrehajtva.	Ilyen esetben nem feltétlenül szívja ki a rendszer a porgyűjtő edényt teljes tartalmát.
	A porzsák megtelt.	Cserélje ki a porzsákat.
A porzsák tárolóban szennyződés van.	A töltőállomás szívónyílása eldugult.	Tisztítsa meg a szívónyílást a töltőállomásban.
	A porzsák tárolóba por vagy más szennyeződés került (pl. a porzsák kihúzása közben).	Tisztítsa ki a porzsák tárolót.
A porzsák megrepedt.	A porzsák megrepedt.	Tisztítsa ki a porzsák tárolót. Tegyen be új porzsákat.
	A porszívó működtető gombok háttérvilágítása ki van kapcsolva.	Változtassa meg a beállítást az alkalmazásban.
A készülék hideg vízzel törlő a padlót, meleg víz helyett.	Az alkalmazásban nem kapcsolta be a meleg vízzel való padlótörlést.	Az alkalmazásban kapcsolja be a meleg vizes padlótörlést.

Ha a problémát a táblázatban leírtak szerint nem tudta megszüntetni, akkor a készüléket kapcsolja le és húzza ki a hálózati vezetékét a fali aljzatból, majd forduljon a vevőszolgálatunkhoz vagy a márkaszervizhez.

Hang üzenetek

Ha üzemeltetés közben hiba következik be, akkor a porszívó gombjainak a háttérvilágítása piros színnel kezd villogni, és hangos üzenet hallatszik. Az alábbi táblázat tartalmazza a figyelmeztetéseket és a hozzájuk kapcsolódó megoldásokat.

Hibaüzenet	Megoldás
A lézer modul le van takarva. Szüntesse meg az okot és próbálja meg ismét elindítani a készüléket.	A lézer modul blokkolva van, vagy idegen tárgy eltakarja. Szüntesse meg a blokkolás okát, a porszívót kézzel vigye más helyre.
A lökhárító le van blokkolva. Szüntesse meg az okot és próbálja meg ismét elindítani a készüléket.	A lökhárító és az oldalsó szenzor blokkolva van, vagy idegen tárgy eltakarja. Kézzel nyomja meg a lökhárítót, az idegen tárgyat távolítsa el, a porszívót kézzel vigye más helyre.
A kerék a levegőben lóg. A porszívót vigye másik helyre.	A készülék megállt, kézzel másik helyre kell átvinni. Ellenőrizze le az alsó leesés ellen védő szenzorokat, azokat tisztítsa meg.
A leesés ellen védő szenzorokat le kell törölni.	A készülék megállt, kézzel másik helyre kell átvinni. Ellenőrizze le az alsó leesés ellen védő szenzorokat, azokat tisztítsa meg.
A középső forgókefe leblokkolt.	A középső forgókefe forgását valamilyen szennyeződés akadályozza, blokkolja. Szüntesse meg a blokkolás okát.
Az oldalsó forgókefe leblokkolt.	Az oldalsó forgókefe forgását valamilyen szennyeződés akadályozza, blokkolja. Szüntesse meg a blokkolás okát.
A kerekek leblokkoltak.	A kerekek forgását idegen tárgy blokkolja. Szüntesse meg a blokkolás okát.
A porszívó elakadt.	A porszívó bútor alatt vagy bútorok között elakadt. A bűrtort húzza el, hogy a készülék magától ki tudjon hajtani, vagy a porszívót kézzel vigye másik helyre.
Nincs porzsák behelyezve.	Tegyen be új porzsákot, ellenőrizze le a helyes behelyezést.
Lemerült az akkumulátor.	Az akkumulátor szinte teljesen lemerült. A takarítás megkezdése előtt az akkumulátort legalább 30 %-ra fel kell tölteni.
Valami nincs rendben az akkumulátorral. Kapcsolja ki a készüléket, és hagyja egy ideig pihenni.	Az akkumulátor hőmérséklete túl magas vagy túl alacsony. Várja meg a szobahőmérséklet elérését.
A porszívó jobb oldalán törölje meg a falérzékelő szenzort.	A falérzékelő szenzor koszos, nem működik megfelelő módon.
A porszívót tegye a padlóra és indítsa el újból.	A porszívó azt érzékelte, hogy nem vízszintes padlóra lett helyezve. A porszívót helyezze vízszintes padlóra.

Hibaüzenet	Megoldás
Valami nincs rendben a ventilátorral. Indítsa újra a porszívót.	A porszívóba épített ventilátor nem működik megfelelő módon. Kapcsolja ki, várjon egy kicsit, majd kapcsolja be a porszívót.
A porszívót vegye ki a tiltott területről és indítsa újra.	A porszívó tiltott területre került. A porszívót tegye a tiltott területen kívülre.
Belső hiba. Indítsa újra a porszívót.	A porszívó belső hibát észlelt. Kapcsolja ki, várjon egy kicsit, majd kapcsolja be a porszívót.
A tiszta víz tartály nincs a töltőállomásban.	Tegye a töltőállomásba a tiszta víz tartályt, ellenőrizze le a tartály beszerelését.
A koszos víz tartály nincs a töltőállomásban.	Tegye a töltőállomásba a koszos víz tartályt, ellenőrizze le a tartály beszerelését.
A vízsűrő nincs beszerelve.	A vízsűrő nincs beszerelve a töltőállomásba, vagy rosszul van beszerelve. A szűrőt kattanásig nyomja a helyére.
A porzsák nincs behelyezve.	Tegyen be új porzsákat, ellenőrizze le a helyes behelyezést.
A tiszta víz tartály üres.	Töltsön vizet a tartályba.
A koszos vizet gyűjtő tartályt megtelt.	Ürítse ki és tisztítsa ki a koszos víz tartályt.
Vízadagolási hiba.	A töltőérintkezők, a porszívó hátsó lencse, vagy a töltőállomás középső lencse koszos vagy le van takarva, nincs jel, a porszívó víztartályába nem lehet vizet adagolni. A töltőérintkezőket, a porszívó hátsó lencsét, vagy a töltőállomás középső lencsét törölje tisztára, szüntesse meg a blokkolás okát.
Törlőruha tisztítási hiba	A töltőérintkezők, a porszívó hátsó lencse, vagy a töltőállomás középső lencse koszos vagy le van takarva, nincs jel, a porszívó víztartályába nem lehet vizet adagolni. A töltőérintkezőket, a porszívó hátsó lencsét, vagy a töltőállomás középső lencsét törölje tisztára, szüntesse meg a blokkolás okát.
Hiba a porgyűjtő edény tartalmának a kiszívása közben.	A töltőérintkezők, a porszívó hátsó lencse, vagy a töltőállomás középső lencse koszos vagy le van takarva, nincs jel, a porszívó víztartályába nem lehet vizet adagolni. A töltőérintkezőket, a porszívó hátsó lencsét, vagy a töltőállomás középső lencsét törölje tisztára, szüntesse meg a blokkolás okát.
Szárítási hiba.	A töltőérintkezők, a porszívó hátsó lencse, vagy a töltőállomás középső lencse koszos vagy le van takarva, nincs jel, a porszívó víztartályába nem lehet vizet adagolni. A töltőérintkezőket, a porszívó hátsó lencsét, vagy a töltőállomás középső lencsét törölje tisztára, szüntesse meg a blokkolás okát.

Ha a problémát a táblázatban leírtak szerint nem tudta megszüntetni, akkor a készüléket kapcsolja le, váltsza le a tápfeszültségről, majd forduljon a vevőszolgálatunkhoz vagy a márkaszervizhez.



Megjegyzés:

a folyamatos fejlesztés miatt az itt feltüntetett hangüzenetek kis mértékben eltérhetnek a porszívó tényleges hangüzeneteitől. A jelentésük és megoldásuk azonban azonos.

RELATED PRODUCTS

VERWANDTE PRODUKTE

KAPCSOLÓDÓ TERMÉKEK

SGR-RV-S900X01

Central brush
Zentralbürste
Központi kefe

SGR-RV-S900X02

Mop Cloth
Wischtuch
Felmosó kendő

SGR-RV-S900X03

Side Brush
Seitenbürste
Oldalkefe

SGR-RV-S900X04

Dust Bag
Staubbeutel
Porzsák

SGR-RV-S900X05

HEPA filter
HEPA-Filter
HEPA szűrő

ENGLISH

The use of the WEEE Symbol indicates that this product should not be treated as household waste. By ensuring this product is disposed of correctly, you will help protect the environment. For more detailed information about the recycling of this product, please contact your local authority, your household waste disposal service provider, or the shop where you purchased the item.

This product meets all of the related basic EU regulation requirements. The EU declaration of conformity is available on www.alzashop.com/doc.

This product sold in the European Union meet the requirements of Directive 2011/65/EU on the restriction of the use of certain hazardous substances in electrical and electronic equipment (RoHS).

DEUTSCH

Das WEEE-Symbol weist darauf hin, dass dieses Produkt nicht als normaler Haushaltsabfall behandelt werden darf. Indem Sie sicherstellen, dass dieses Produkt ordnungsgemäß entsorgt wird, tragen Sie zum Schutz der Umwelt bei. Für detailliertere Informationen zum Recycling dieses Produkts wenden Sie sich bitte an Ihre lokale Behörde, Ihren Hausmüllentsorgungsdienstleister oder das Geschäft, in dem Sie das Produkt erworben haben.

Dieses Produkt erfüllt alle relevanten EU-Vorschriften. Die EU-Konformitätserklärung ist unter www.alzashop.com/DoC einsehbar.

Dieses in der Europäischen Union verkaufte Produkt erfüllt die Anforderungen der EU Richtlinie 2011/65/EU zur Beschränkung der Verwendung bestimmter gefährlicher Stoffe in Elektronikgeräten (RoHS).

MAGYAR

A WEEE szimbólum azt jelzi, hogy ez a termék nem kezelhető háztartási hulladékként. A termék helyes megsemmisítésének biztosításával segít védeni a környezetet. A termék újrahasznosításával kapcsolatos részletesebb információkért, kérjük, forduljon a helyi hatóságokhoz, a háztartási hulladékkezelő szolgáltatóhoz vagy a bolthoz, ahol a terméket megvásárolta.

Ez a termék megfelel az összes rá vonatkozó EU-s szabályozási követelménynek. Az EU megfeleléségi nyilatkozata a www.alzashop.com/DoC címen érhető el. Az Európai Unióban értékesített termékek megfelelnek az elektromos és elektronikai berendezésekben való egyes veszélyes anyagok használatának korlátozására vonatkozó 2011/65/EU (RoHS) irányelvnek.

R20240807



SIGURO

Alza.cz a.s., Jankovcova 1522/53, 170 00 Prague 7, Czech Republic
© 2024 Alza.cz a.s. All Rights Reserved.

www.siguro.net