

SIGURO

Refrigerator with Bottom Freezer

Refrigerator with Bottom Freezer
Kühlschrank mit Gefrierfach unten
Lednice s mrazákem dole
Chladnička s mrazničkou dole
Alulfagyasztós hűtőszekrény

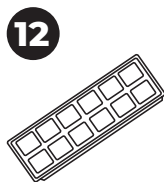
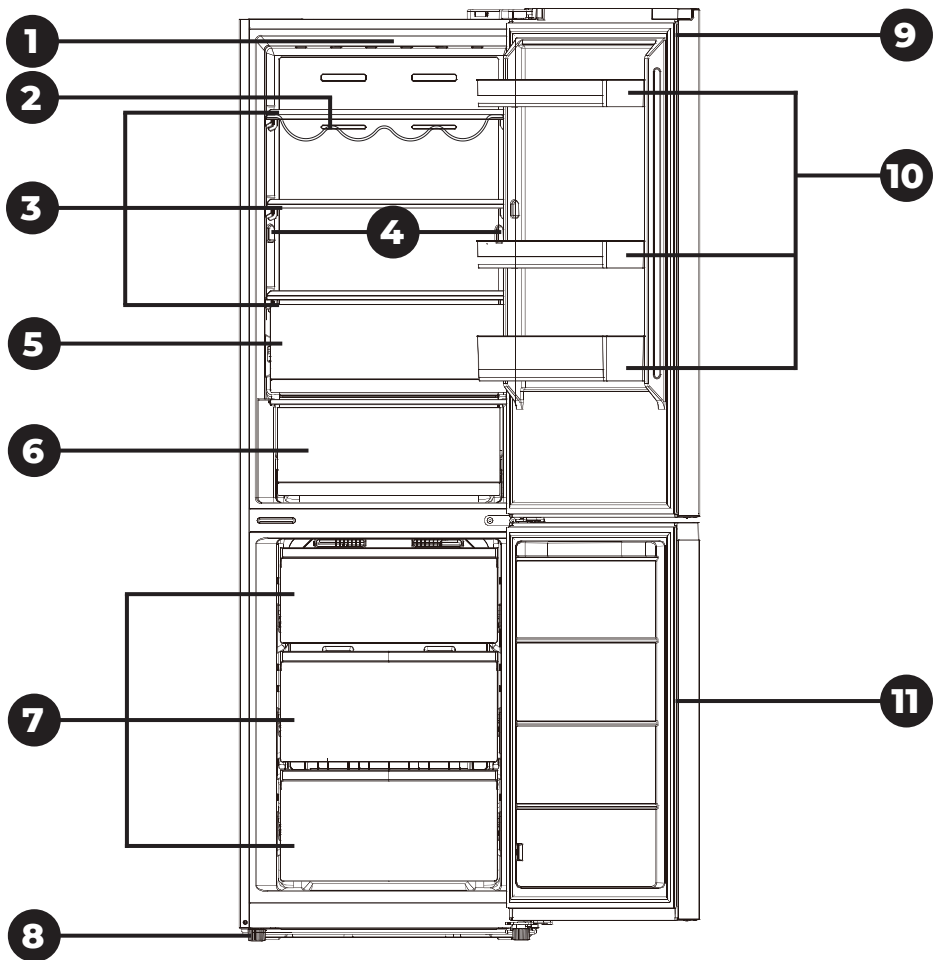


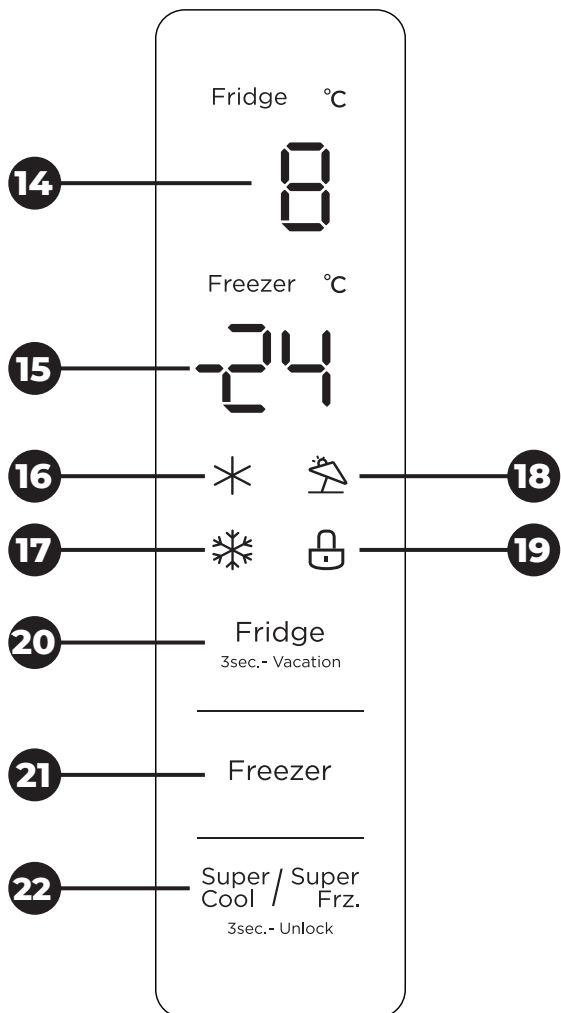
- EN Translation of the operating instructions from the original language.
DE Übersetzung der Bedienungsanleitung aus der Originalsprache.
CZ Návod k použití v originálním jazyce.
SK Preklad návodu na použitie z originálneho jazyka.
HU A használati utasítás fordítása eredeti nyelvről.

SGR-BF-A241S
SGR-BF-A241Y

SIGURO

ENGLISH	5
Safety information	5
Transport	9
Before use	10
Use	11
Cleaning and maintenance	14
Troubleshooting	15
Choosing door hinge side	16
DEUTSCH	24
Sicherheitshinweise	24
Transport	28
Vorbereitung vor der Verwendung	29
Verwendung	30
Reinigung und Wartung	33
Problemlösung	34
Änderung der Öffnungsrichtung der Tür	37
ČESKY	44
Bezpečnostní informace	44
Přeprava	48
Příprava před použitím	49
Použití	50
Čištění a údržba	53
Řešení problémů	54
Otočení směru otevírání dvířek	56
SLOVENSKY	65
Bezpečnostné informácie	65
Preprava	69
Príprava pred použitím	70
Použitie	71
Čistenie a údržba	74
Riešenie problémov	75
Otočenie smeru otvárania dvierok	77
MAGYAR	86
Biztonsági információk	86
Szállítás	90
Előkészület a használatához	91
Használat	92
Tisztítás és karbantartás	95
Problémamegoldás	96
Az ajtónyitás irányának a megváltoztatása	98





Thank you for purchasing a SIGURO appliance. We are grateful for your trust and are pleased to introduce on the following pages the device, its functions and uses.

We believe in a fair and responsible company, and therefore we only work with suppliers who meet our strict criteria to protect the interests of employees, prevent their abuse and fair working conditions.

If you need help with extensive maintenance or repair of the product that requires intervention in its internal parts, our authorized service center is available at siguro@alza.cz. You may also contact the vendor's helpline. For your convenience in solving potential issues with the product, the unified contact points above can also be used for any complaints or post-warranty service.

SAFETY INFORMATION



Please read this manual carefully before use and keep it for future reference.

1. Children aged at least 8, persons with physical, sensory or mental impairment, and the untrained or inexperienced may use this appliance with instruction or supervision in its safe use, provided they understand the potential dangers.
2. Children must not play with the device.
3. Cleaning and user maintenance may not be performed by unsupervised children.
4. If the power cord is damaged, it must be replaced by the manufacturer, its service agent or similarly qualified persons in order to avoid a dangerous situation.



WARNING: RISK OF FIRE!

5. Children aged 3 to 8 may store food in and remove it from the appliance.
6. **WARNING:** Always keep clear all vents found on the appliance body and frame.
7. **WARNING:** Do not use mechanical devices or means other than those recommended by the manufacturer to speed up the defrosting process.
8. **WARNING:** Do not damage the cooling circuit.
9. **WARNING:** Do not operate electrical appliances inside the food storage compartment, except those cleared for such use by the manufacturer.
10. Do not store potentially explosive substances, such as flammable-propellant sprays, in the appliance.

11. This appliance is designed for home and light commercial use, including:
 - kitchenettes in stores, offices and other workplaces;
 - guest appliances in hotels, motels and other residential environments;
 - bed & breakfast establishments;
 - workplace cantinas and similar non-commercial uses.
12. This appliance is designed as free-standing. It is not designed for built-in or mounted use.
13. Use this appliance only according to the instructions in this manual. For safe food storage, only use the appliance in accordance with the instructions in this manual.
14. Follow these recommendations to avoid contamination of stored food:
 - Leaving the door open for long periods of time can significantly warm the storage compartment.
 - Clean food contact surfaces and accessible drainage systems regularly.
 - Clean water containers that have not been used for 48 hours or longer. Flush the appliance's water circuit when the water supply has been dry or disconnected for 5 days or longer.
 - Store raw meat and fish in the refrigerator in suitable containers, so that they do not come into contact with or drip on other foods.
 - Freezer spaces rated two stars are suitable for storing pre-frozen food, storing and making ice cream, and making ice cubes.
 - Spaces rated three stars or less are not suitable for freezing fresh food.
 - Before prolonged disuse, turn off, defrost, clean and dry the appliance, then leave the door open to prevent mold from forming inside.
15. **WARNING:** Place the appliance so as to keep the power cord from snagging or otherwise becoming damaged.
16. **WARNING:** Do not keep multi-plug sockets or extension cords immediately behind the appliance.
17. **WARNING:** Any servicing or repair involving the removal of the outer shroud is dangerous when not performed by a qualified technician. To avoid electrocution, do not attempt to repair the appliance yourself.
18. Volatile liquids and gases may leak from their containers in low temperatures.
19. Never place carbonated drinks, bottled or canned, in the freezer.
20. Ice cream can cause frostbite if consumed immediately upon removal from a freezer. It is recommended to let it thaw for at least 5 minutes.
21. Do not touch the food in the freezer with wet hands. This way you can avoid frostbite and skin damage.
22. Keep children away from the appliance's controls.
23. The appliance is heavy. Take extra care when handling it. Ideally get a second person to help you.
24. Modifying the appliance in any way is dangerous.
25. The LED lighting in the food compartment may only be replaced by an authorized service technician. Never replace the light yourself.
26. **WARNING:** Cooling appliances, particularly class-I combined cooler-freezers, may not work properly (the temperature in the frozen food compartment may rise above freezing) when exterior temperatures remain below the lower limit of the appliance's operating temperature

range for prolonged periods.

27. **WARNING:** If the door or lid is equipped with a lock, the keys to the lock must be kept away from children and away from the appliance, to avoid the risk of children locking themselves in.
28. **WARNING:** The coolant and insulation materials used in this appliance require special disposal procedures.

Electrical Connection

1. This appliance may only be powered from properly grounded mains outlets supplying 220–240 V ~ 50 Hz. Before plugging the appliance in, make sure the outlet voltage matches the values specified on the appliance rating plate.
2. This appliance may be used with a voltage converter.
3. The power cord should be routed behind the appliance. It should be out of the way and laid on the floor to prevent accidents.
4. Do not unplug the appliance by pulling on the power cord. Pull on the plug instead.
5. Avoid using extension cords; these may degrade the appliance's performance. If the supplied power cord is too short for your needs, it is best to have a mains socket installed closer to it (by a professional electrician).

Climate Class

The appliance's climate class is indicated on its rating plate. The climate class determines the ambient temperatures in which the appliance was designed to operate.

Climate class	Ambient temperature range
SN	10 – 32 °C (50 – 90 °F)
N	16 – 32 °C (60 – 90 °F)
ST	16 – 38 °C (60 – 100 °F)
T	16 – 43 °C (60 – 110 °F)



Note:

The appliance's interior temperature setting should be adapted to the climate class, ambient temperature, opening frequency, etc. Operating the appliance in conditions outside its rated climate class may degrade its performance.

Lock

If the door or lid is equipped with a lock, the keys to the lock must be kept away from children and away from the appliance, to avoid the risk of children locking themselves in.

When disposing of the appliance, destroy the lock to prevent its further use.

R600a Refrigerant

The R600a refrigerant and cyclopentane insulation used in this appliance are safe

for the environment and the ozone layer, and have minimal global warming impacts. However, R600a is a flammable substance. When transporting, installing or otherwise handling the appliance, take care not to damage the cooling circuit, to prevent liquid or gaseous refrigerant leaks. In the event the cooling circuit is damaged and liquid or gaseous refrigerant leaks into the environment, immediately douse any open flame in the area and open all available windows.

Appliances containing refrigerants require professional, environmentally safe disposal. Improper disposal may cause injury, fire, or other hazardous situations. Refrigerants may only be handled by qualified personnel certified to do so. Before disposal, check the cooling circuit for potential damage.

Overview



- 1 Top LED lighting
- 2 Wine rack
- 3 Fridge shelves
- 4 Middle LED lighting
- 5 Fruits and vegetables tray
- 6 Fresh food tray
- 7 Freezer trays
- 8 Adjustable feet
- 9 Fridge door
- 10 Door-mounted trays
- 11 Freezer door
- 12 Ice maker
- 13 Egg tray

Control panel

- 14 Fridge temperature display
- 15 Freezer temperature display
- 16 Quick Refrigerate icon *
- 17 Quick Freeze icon ❄️
- 18 Holiday Mode icon 🏠
- 19 Child Lock icon 🗑️
- 20 FRIDGE button
- 21 FREEZER button
- 22 Super Cool/Super Frz button.

TRANSPORT

The appliance must always be transported upright. The packaging is meant to protect the appliance in transit; avoid damaging it during transport.

If there is no choice but to transport the appliance on its side, place it so that the door cannot open, to prevent damage to it. Restore the appliance to upright position as soon as possible. After spending time horizontal, the appliance must remain upright for at least 4 hours before being plugged in and powered on, to give the refrigerant time to settle. Failing to do so risks permanent damage to the appliance, as well as a hazardous operating situation.

The appliance is heavy; we recommend at least two people handle it. Avoid carrying the appliance by the upper frame, the door, etc.

BEFORE USE

Unpacking

Carefully unpack the appliance and remove any tape, stickers, foil, etc.

Selecting a Spot

Place the appliance on a hard, level surface within reach of the mains socket. To avoid excess noise and vibration, do not install on carpets, rugs or similar flooring.

The appliance is designed for domestic, indoor use. Do not install outside or in any spot exposed to rain, snow, moisture or other weather effects.

Level the appliance if necessary. Use the adjustable feet. Screw the feet in or out to change their height. Levelling is important to prevent excessive vibration and noise.

The refrigerant mass is specified on the appliance rating plate.

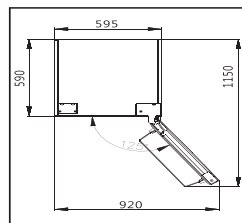
Provide adequate space for air to circulate around the appliance: at least 30 mm (6/5 in) above, at least 100 mm (4 in) to the sides, and at least 50 mm (2 in) behind.

Provide adequate clearance in front to allow opening the door.

Do not place the appliance near stoves, heaters, or other heat sources. Avoid exposing the appliance to direct sunlight.

Do not install in damp or dusty rooms. Do not cover the vents.

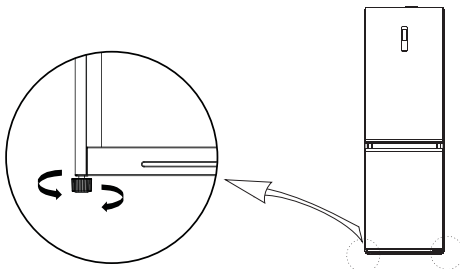
The appliance may interfere with radio and television signals. It should be placed sufficiently far from their receivers.



Levelling the appliance

Once the fridge has been placed in a suitable location, it must be levelled to ensure quiet and reliable operation, proper sealing of the fridge and freezer doors and easy opening and closing of the fridge and freezer doors.

Use the adjustable feet at the front of the appliance. Turn clockwise to raise the fridge, turn anti-clockwise to lower it.



Cleaning Before Use

Before first use and after prolonged disuse, clean the food compartments and trays with water, either pure or with some white vinegar. Do not use detergents, solvents, hydrocarbon cleaners, etc. These might irreparably damage the finish.

Settle-Down Time

Settle-Down Time

Once installed and cleaned, wait at least 2 hours before plugging the appliance in. This will give the refrigerant time to settle in the cooling circuit.

Plugging In

Plug the power cord into a properly grounded mains socket. The appliance must be grounded. The voltage specified on the appliance rating plate must match your mains voltage. In case of doubt, consult your power company or a qualified electrician.

USE

Setting Fridge Temperature

Press **FRIDGE** once to enter fridge temperature setting mode.

Repeatedly press **FRIDGE** to set temperature in the range 2–8 °C (36–46 °F). The display will show the current setting. Wait 5 seconds for the setting to be saved.

The optimal temperature setting depends on the season, room temperature, and quantity of food in the freezer.

The interior temperature at any given moment is affected by the ambient temperature, door opening frequency, and the amount of food stored.

If you see frost accumulating inside, try setting the thermostat to warmer.



Note:

Before putting food in the fridge or freezer, leave the fridge on for at least 2–3 hours (4 hours in summer) to allow the interior to cool down.

Setting Freezer Temperature


Press **FREEZER** once to enter freezer temperature setting mode.


Repeatedly press **FREEZER** to set temperature in the range from –16 to 24 °C (36–46 °F). The display will show the current setting. Wait 5 seconds for the setting to be saved.

The optimal temperature setting depends on the season, room temperature, and quantity of food in the freezer.

Holiday Mode

Holiday Mode is intended for periods of long absence from the home, such as vacation trips. In this mode, the refrigerator power is reduced. The refrigerator compartment is completely switched off and the freezer temperature is kept at -18 °C.

Press and hold **FRIDGE** for 3 seconds until the Holiday Mode icon  lights up on the display. The appliance will enter holiday mode.

To cancel Holiday Mode, press and hold **FRIDGE** for 3 seconds; the Holiday Mode icon  will then turn off. Restores the original temperature of the fridge and freezer.


You can also cancel Holiday Mode by setting the fridge temperature (**FRIDGE** button), setting the freezer temperature (**FREEZE** button) or pressing the **Super Cool/Super Frz** button.

Super Cool

The Super Cool feature rapidly cools down the fridge interior.


Repeatedly press the **Super Cool/Super Frz.** button until the  icon lights up on the display. The fridge temperature will be automatically set to 2 °C.

The fridge will remain in Super Cool mode for a maximum of 6 hours, after which the mode will switch off and the original temperature setting will be restored.

If you need to cancel Super Cool mode, repeatedly press the **Super Cool/Super Frz.** button until the  icon turns off.

Quick Freeze

The Quick Freeze feature rapidly cools down the freezer interior. This may be useful when freezing large amounts of fresh food.

Repeatedly press the **Super Cool/Super Frz.** button until the  icon lights up on the display. The freezer temperature will be automatically set to -24 °C.

The fridge will remain in Super Frz. mode for a maximum of 24 hours, after which the


mode will switch off and the original temperature setting will be restored.


Freezer temperature cannot be changed in Quick Freeze mode; the **FREEZER** button is disabled.

If you need to cancel Super Cool mode, repeatedly press the **Super Cool/Super Frz.** button until the ❄️ icon turns off.

Child Lock

The Child Lock feature locks down the control panel to prevent accidental change of the appliance's settings.

Press and hold the **Super Cool/Super Frz.** button for 3 seconds to activate the child lock. A chime will sound and the Child Lock icon  will appear on the display.

To cancel the child lock, press and hold the **Super Cool/Super Frz.** button for three seconds. A chime will sound and the Child Lock icon  will disappear.



Note:

The control panel automatically locks down after 30 seconds of inactivity. To cancel the child lock, press and hold the **Super Cool/Super Frz.** button for three seconds. Each keypress is accompanied by a chime.

Control Panel and Display

In normal operating mode, the upper part of the display shows fridge temperature, while the bottom part shows freezer temperature. When the fridge is first switched on, the default temperature is set at 5 °C for the fridge and -18 °C for the freezer. The control panel will be fully illuminated for 3 seconds after first switching on. It then switches to the default operating view.

The control panel automatically locks after 30 seconds of inactivity, and the display turns off 30 seconds after that. The fridge and freezer temperatures remain displayed permanently.

Open Door Warning

A chime will sound after the fridge door has been open for 120 seconds. The chime will keep sounding regularly until the door is closed.

Storing Food

Air cooled by the compressor circulates throughout the appliance interior, making different areas of the interior somewhat different temperatures, and therefore better suited for storing different kinds of food.

Store foodstuffs in their original packaging or in airtight containers to prevent odor and contamination of the food.

Use the fridge area to store non-frozen foods, such as cooked meals, beverages, eggs, dairy, etc. Use the tray to store fruits and vegetables. Use the freezer area to store ice cream, frozen foods, etc.

Suggested Food Placement

Door-mounted trays	Beverages, jams, ketchup, etc.
Fruits and vegetables tray	Fruits, vegetables, refrigerator-safe herbs, etc.
Fresh food tray	Raw meat, poultry, fish (short-term)
Bottom shelf	Dairy, eggs
Middle and top shelves	Foods eaten raw, sausages, ready-made meals, etc.

Freezer trays	Food suitable for long-term storage Bottom tray: raw meat, poultry, fish Middle tray: frozen vegetables, fries Top trays: ice cream, frozen fruits, frozen bread
----------------------	---

Ice maker: Fill with clean potable water and set in the freezer to make ice cubes.

Shopping Tips

- Reduce waste by only buying as much as you know you can use.
- Always check the “best before” date printed on the packaging.
- Check packaging integrity.
- Check appearance and smell, particularly with fruits and vegetables. Only buy fruits and vegetables of flawless appearance.
- Save frozen foods for the last items you take when shopping, and keep them in insulated bags on the way home.
- Always check the integrity of the packaging on packaged foods.
- The freezer can only freeze a certain weight of fresh food per 24 hours of operation. You can find this value on its rating plate. Minimize door opening when freezing fresh foods.
- Before loading fresh food to be frozen, and particularly before loading already-frozen food, always check that the interior is sufficiently cold. Otherwise, frozen food might thaw before the interior cools to freezing.
- When freezing freshly prepared food, let it cool to room temperature before loading.
- Pack fresh foods in packaging sold for the purpose. Label the packages with food name, weight, and date of freezing. Packets should be dry when loaded.

Food Storage Tips

- Regularly check the condition of all stored food; use foodstuffs before they go bad.
- Place the most frequently used items up front to reduce rummaging. This will allow you to close the door again sooner.
- Do not re-freeze defrosted or partly defrosted food.
- Defrosted meat should be heat-treated, not eaten raw.
- Do not overload the fridge. Keep some amount of free space between stored items to allow the cold air to circulate throughout.
- Let food cool to room temperature before loading in the fridge.
- Minimize door opening frequency.
- Only store foods intended for refrigeration / freezing. Some foods, particularly certain fruits and vegetables, do not need to be refrigerated.
- Store food in original packaging or airtight containers to keep it from becoming contaminated or developing a foul odor.
- Do not place food packets in direct contact with the interior liner of the freezer area. Do not place water-rich foods close to the freezer area back plate to keep them from freezing stuck.
- Do not load liquid-filled glassware or canned beverages into the freezer. Water-based liquids increase in volume as they freeze, potentially destroying inflexible containers such as glass or can aluminum.

CLEANING AND MAINTENANCE

Keep the appliance clean. Food residue may accumulate in the fridge and emit a foul odor. We recommend cleaning the shelves and trays at least once a month.

Routine Maintenance

Remove all food from the fridge (not the freezer), then remove the shelves and trays.

Wash them in warm water with some dish detergent; rinse and wipe dry.

Clean the fridge interior with a clean towel slightly dipped in clean, lukewarm water.

Wipe dry.

Wipe the door gasket with a soft cloth slightly dipped in warm water.

Wipe the appliance exterior with a soft cloth slightly dipped in warm water with some dish detergent.

Dust off the back of the appliance. You may also use a vacuum cleaner with a brush attachment on low power.



Warning:

Do not clean with harsh detergents, alkali, solvents, hydrocarbon cleaners, etc. Only use a soft sponge or towel. Do not use scrapers or other hard tools that might scratch the finish.

De-Icing

The appliance is equipped with a “No-Frost” system for automatic de-icing. Manual de-icing is not necessary.



Warning:

Do not immerse the appliance, power cord or plug in water or other liquids.

Light Replacement

The LED lighting in the food compartment may only be replaced by an authorized service technician. Never replace the light yourself. Contact an authorized service centre instead. The light source installed in this appliance is rated G on the EU energy efficiency scale.

Long-Term Power-Down

When not using the appliance, keep it unplugged from the mains. Clean the interior, including the freezer, as described above.

Leave the door open to prevent a stale odor from developing inside.

TROUBLESHOOTING

Problem	Cause	Solution
Fridge not working	Plugged in badly or not at all	Plug appliance in properly.
	The voltage in the power socket is low.	Contact a qualified electrician or your power company.
	Blown or tripped fuse	Check fuse box.
Foul odor in appliance interior.	Pungent foods are not properly packaged.	Package pungent foods properly or place in air-tight container.
	Rotten food present in fridge.	Dispose of rotten food.
	Interior is dirty.	Clean appliance interior.
Compressor runs constantly.	On hot days, constant compressor activity is not uncommon. This is a normal occurrence.	
	Too much food in fridge.	Do not overfill the fridge.
	Hot food was inserted.	Let food cool to room temperature before putting it inside the appliance.
	Door is opened too frequently.	Open door less frequently and only for as long as necessary.
Interior lights will not come on.	The appliance is not turned on.	Turn on the appliance.
	The fluorescent light is broken.	Have the fluorescent lamp replaced.
The door cannot be closed.	Food inside prevents door from closing.	Rearrange food so the door can be closed.
	The fridge is not levelled.	Level the fridge.
Bad seal on door.	Door gasket is dirty.	Clean door gasket.
	Door gasket is deformed.	Carefully heat the gasket, then cool it to restore its original shape. Heat the gasket with a hot towel or blow dryer.

Problem	Cause	Solution
Water under the fridge.	Too much food loaded or food has high water content, leading to more frequent defrosting cycles.	Reduce the amount of stored food. Remove foods that do not require refrigeration.
	The door is not closed properly.	Close the door.
Refrigerator exterior is hot.	Excess heat is dissipated through the outer surface of the refrigerator. This is a normal occurrence. If the outer surface becomes hot due to high ambient temperature or large quantities of food stored in the fridge, we recommend adequate ventilation to help remove heat from the outer surface.	
Water condenses on the outer surface.	Ambient humidity is high.	Wipe the outside surface of the fridge with a clean cloth and reduce the humidity in the room.
Appliance emits unusual noises.	Buzzing: The compressor may make a buzzing noise during operation. The noise may be louder when the compressor starts or stops. This is a normal occurrence. Squealing: The movement of the refrigerant in the internal circuit can cause a squealing sound. This is a normal occurrence.	

If the problem is not listed in the table above or if it persists, turn off the appliance, unplug it from the mains, then contact an authorized service center.

Error messages

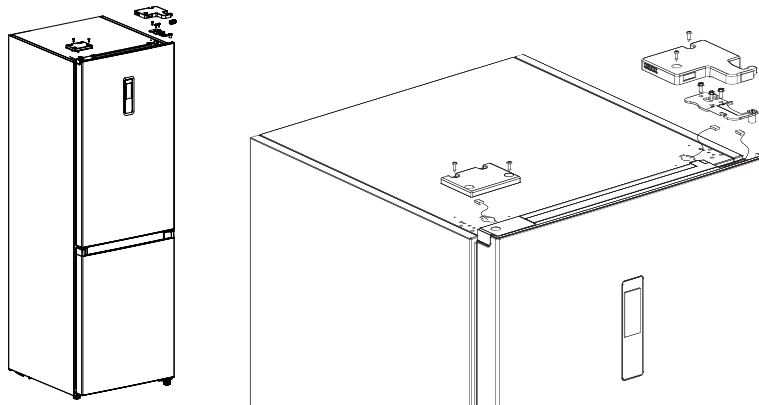
The following error messages may appear on the display and indicate specific malfunctions. If any error message appears, contact an authorised service center.

Error message	Meaning
E1	Refrigerator compartment temperature sensor malfunction
E2	Freezer compartment temperature sensor malfunction
E3	Fresh food drawer temperature sensor malfunction
E5	Fault in defrosting sensor circuit
E6	Communication failure
E7	Ambient temperature sensor malfunction

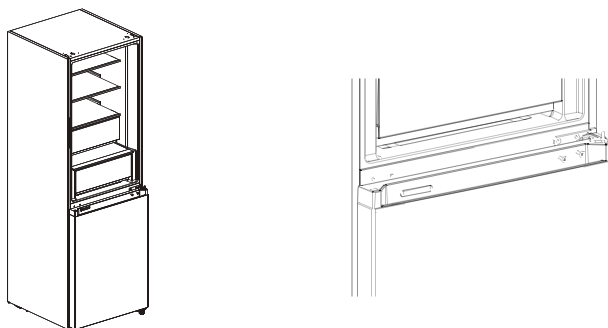
CHOOSING DOOR HINGE SIDE

1. Check that the appliance is unplugged. Prepare the necessary tools (Phillips screwdriver, flathead screwdriver, ratchet or masking tape).
2. Remove food from door compartments, then remove door compartments.
3. Remove the decorative cover of the left top hinge, the cover of the right top hinge

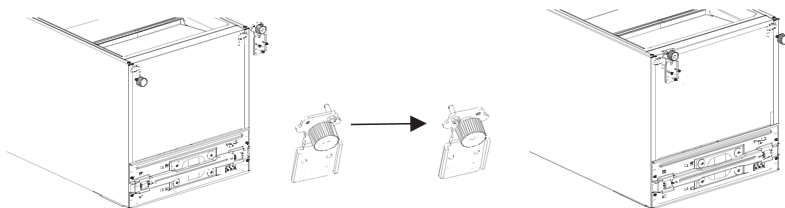
and the right top hinge and disconnect the door switch wiring clips.



4. Carefully remove the refrigerator door. Set the door aside on a soft mat. Be careful not to lose small parts such as the shaft sleeve and door stop.
5. Release and remove the middle hinge. Remove the decorative caps on the left centre hinge and place them on the right side.

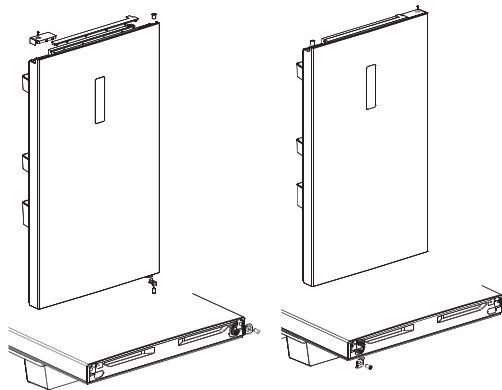


6. Carefully remove the refrigerator door. Set the door aside on a soft mat. Be careful not to lose small parts such as the shaft sleeve and door stop.
7. Release and remove the bottom hinge and the left adjustable leg. Move the lower hinge pin to the other side and bolt the lower hinge onto the left side. Bolt the adjustable leg onto the other side.



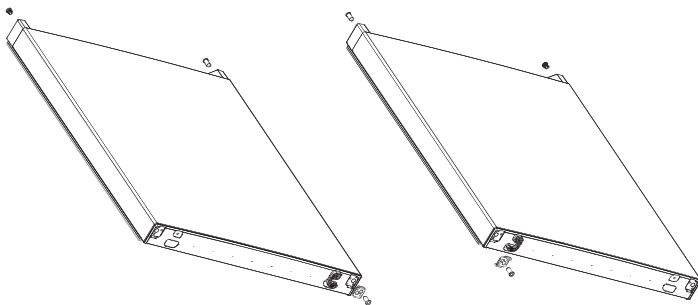
8. Preparing the refrigerator door:
 - Remove the cover plate of the upper end cover of the refrigerator door and the left decorative cover. Install the upper shaft bushing and door switch wiring clamp on the other side and cover with the upper end cap. Remove the right decorative cover from the accessory bag and install it on the other side of the top end cap.

- Remove the door locking system, the door stop and the refrigerator door shaft housing. Remove the left door self-locking system from the accessory bag and install it on the left side of the bottom end cap of the refrigerator door. Move the door stop and shaft bushing to the left side of the bottom end cap of the refrigerator door.

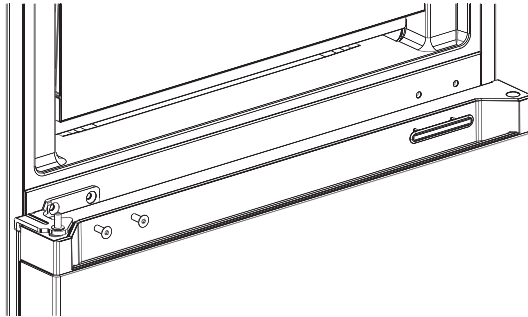


9. Preparing the freezer door:

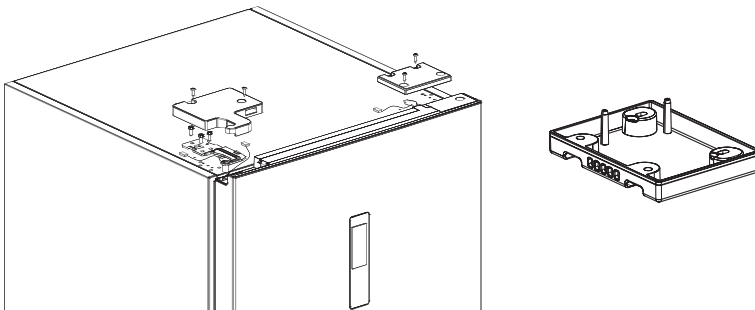
- Remove the shaft bushing and the top end cap of the freezer door and install them on the opposite sides from where they were originally.
- Remove the door locking system, the door stop and the refrigerator door shaft housing. Remove the left door self-locking system from the accessory bag and install it on the left side of the bottom end cap of the freezer door. Move the door stop and shaft bushing to the left side of the bottom end cap of the freezer door.



10. Place the freezer door on the bottom hinge, align it and bolt on the centre hinge. Make sure that the door fits and seals well before tightening the centre hinge bolts. Insert the decorative caps into the free holes in the center hinge.



11. Remove the left upper hinge cover and the left upper hinge from the accessory bag.
12. Place the fridge door on the bottom hinge, align it and bolt on the top hinge. Make sure that the door fits and seals well before tightening the top hinge bolts. Connect the door switch line terminals. Replace the hinge decorative cover on the right side (two prongs must be cut off when replacing the hinge decorative cover on the right side) and replace the upper hinge cover.



Product Information Sheet

COMMISSION DELEGATED REGULATION (EU) 2019/2016 with regard to energy labelling of refrigerating appliances

Supplier's name or trade mark: Siguro

Supplier's address: PL - SIGURO, Jankovcova 1522/53 17000 Praha Holešovice Česká republika

Model identifier: SGR-BF-A241S

Type of refrigerating appliance:

Low-noise appliance:	No	Design type:	freestanding
Wine storage appliance:	No	Other refrigerating appliance:	Yes

General product parameters:

Parameter	Value	Parameter	Value
Overall dimensions (millimetre)	Height	2 010	Total volume (dm ³ or l)
	Width	595	
	Depth	700	
EEL	41	Energy efficiency class	A
Airborne acoustical noise emissions (dB(A) re 1 pW)	29	Airborne acoustical noise emission class	A
Annual energy consumption (kWh/a)	113	Climate class:	extended temperate, temperate, subtropical, tropical
Minimum ambient temperature (°C), for which the refrigerating appliance is suitable	10	Maximum ambient temperature (°C), for which the refrigerating appliance is suitable	43
Winter setting	No		

Compartment Parameters:

Compartment type	Compartment parameters and values			
	Compartment Volume (dm ³ or l)	Recommended temperature setting for optimised food storage (°C) These settings shall not contradict the storage conditions set out in Annex IV, Table 3	Freezing capacity (kg/24h)	Defrosting type (auto-defrost=A, manual defrost=M)

Pantry	No	-	-	-	-
Wine storage	No	-	-	-	-
Cellar	No	-	-	-	-
Fresh food	Yes	216,0	4	-	A
Chill	Yes	40,0	2	-	A
0-star or ice-making	No	-	-	-	-
1-star	No	-	-	-	-
2-star	No	-	-	-	-
3-star	No	-	-	-	-
4-star	Yes	122,0	-18	8,5	A
2-star section	No	-	-	-	-
Variable temperature compartment	-	-	-	-	-
For 4-star compartments					
Fast freeze facility			Yes		
Light source parameters:					
Type of light source			LED		
Energy efficiency class			G		
Minimum duration of the guarantee offered by the manufacturer: 36 months					
Additional information:					
Weblink to the supplier's website, where the information in point 4 of Annex II of Commission Regulation (EU) 2019/2019 is found: www.siguro.cz					

Model placed on the Union market from 01/08/2024.



EPREL registration number: 2012521

<https://eprel.ec.europa.eu/qr/2012521>

Supplier: Alza.cz a.s. (Manufacturer)

Website: www.alza.cz

Customer care service:

Name: PL - SIGURO

Website: www.siguro.cz

Email: siguro@alza.cz

Phone: 225 340 111

Address:

Jankovcova 1522/53 17000 Praha Holešovice Česká republika

Product Information Sheet

COMMISSION DELEGATED REGULATION (EU) 2019/2016 with regard to energy labelling of refrigerating appliances

Supplier's name or trade mark: Siguro

Supplier's address: PL - SIGURO, Jankovcova 1522/53 17000 Praha Holešovice Česká republika

Model identifier: SGR-BF-A241Y

Type of refrigerating appliance:

Low-noise appliance:	No	Design type:	freestanding
Wine storage appliance:	No	Other refrigerating appliance:	Yes

General product parameters:

Parameter	Value	Parameter	Value
Overall dimensions (millimetre)	Height	Total volume (dm ³ or l)	378
	Width		
	Depth		
EEL	41	Energy efficiency class	A
Airborne acoustical noise emissions (dB(A) re 1 pW)	29	Airborne acoustical noise emission class	A
Annual energy consumption (kWh/a)	113	Climate class:	extended temperate, temperate, subtropical, tropical
Minimum ambient temperature (°C), for which the refrigerating appliance is suitable	10	Maximum ambient temperature (°C), for which the refrigerating appliance is suitable	43
Winter setting	No		

Compartment Parameters:

Compartment parameters and values				
Compartment type	Compartment Volume (dm ³ or l)	Recommended temperature setting for optimised food storage (°C) These settings shall not contradict the storage conditions set out in Annex IV, Table 3	Freezing capacity (kg/24h)	Defrosting type (auto-defrost=A, manual defrost=M)

Pantry	No	-	-	-	-
Wine storage	No	-	-	-	-
Cellar	No	-	-	-	-
Fresh food	Yes	216,0	4	-	A
Chill	Yes	40,0	2	-	A
0-star or ice-making	No	-	-	-	-
1-star	No	-	-	-	-
2-star	No	-	-	-	-
3-star	No	-	-	-	-
4-star	Yes	122,0	-18	8,5	A
2-star section	No	-	-	-	-
Variable temperature compartment	-	-	-	-	-

For 4-star compartments

Fast freeze facility	Yes
----------------------	-----

Light source parameters:

Type of light source	LED
Energy efficiency class	G

Minimum duration of the guarantee offered by the manufacturer: 36 months

Additional information:

Weblink to the supplier's website, where the information in point 4 of Annex II of Commission Regulation (EU) 2019/2019 is found: www.siguro.cz

Model placed on the Union market from 01/08/2024.



EPREL registration number: 2012730

<https://eprel.ec.europa.eu/qr/2012730>

Supplier: Alza.cz a.s. (Manufacturer)

Website: www.alza.cz

Customer care service:

Name: PL - SIGURO

Website: www.siguro.cz

Email: siguro@alza.cz

Phone: 225 340 111

Address:

Jankovcova 1522/53 17000 Praha Holešovice Česká republika

Vielen Dank, dass Sie sich für ein Gerät der Marke SIGURO entschieden haben. Wir sind dankbar für Ihr Vertrauen und freuen uns, Ihnen das Gerät auf den folgenden Seiten vorzustellen und Sie mit all seinen Funktionen und Verwendungszwecken vertraut zu machen.

Wir glauben an ein faires und verantwortungsvolles Unternehmen und arbeiten daher nur mit Lieferanten zusammen, die unsere strengen Kriterien zum Schutz der Interessen der Mitarbeiter, zur Verhinderung von Missbrauch und fairen Arbeitsbedingungen erfüllen.

Wenn Sie Hilfe bei der umfassenden Wartung oder Reparatur des Produkts benötigen, die einen Eingriff in die Innenteile erfordert, stehen Ihnen unser autorisierter Kundendienst unter der E-Mail-Adresse siguro@alza.cz oder die Hotline des Verkäufers zur Verfügung. Bei der Lösung von Problemen mit dem Produkt haben wir diese Kontaktstellen vereinheitlicht. Die oben genannten Kontakte können auch bei Beschwerden oder Nachgarantieservice genutzt werden.

SICHERHEITSHINWEISE



Lesen Sie vor der Anwendung sorgfältig dieses Benutzerhandbuch durch und bewahren Sie es für den künftigen Gebrauch auf.

1. Dieses Gerät kann von Kindern ab 8 Jahren und von Personen mit verminderten physischen, sensorischen und mentalen Fähigkeiten oder mangelnden Erfahrungen und Kenntnissen benutzt werden, sofern sie beaufsichtigt werden oder über die Anwendung des Geräts auf eine sichere Weise belehrt wurden und eventuelle Gefahren verstehen.
2. Kinder dürfen nicht mit dem Gerät spielen.
3. Kinder dürfen keine Reinigungs- und Wartungsarbeiten vornehmen, falls diese nicht beaufsichtigt sind.
4. Wenn das Netzkabel beschädigt ist, muss es vom Hersteller, seinem Servicetechniker oder einer ähnlich qualifizierten Person ersetzt werden, um eine gefährliche Situation zu vermeiden.



HINWEIS: BRANDGEFAHR!

5. Kinder im Alter von 3 bis 8 Jahren können Lebensmittel in das Gerät geben und herausnehmen.

6. **WARNUNG:** Lüftungsöffnungen im Gehäuse oder in der Konstruktion des Geräts müssen freigehalten werden.
7. **WARNUNG:** Verwenden Sie zur Beschleunigung des Abtauvorgangs keine anderen als die vom Hersteller empfohlenen mechanischen Vorrichtungen oder Mittel.
8. **WARNUNG:** Beschädigen Sie nicht den Kühlkreislauf.
9. **WARNUNG:** Benutzen Sie keine elektrischen Geräte in dem Bereich, in dem Lebensmittel gelagert werden, sofern es sich nicht um Modelle handelt, die vom Hersteller empfohlen wurden.
10. Lagern Sie in diesem Gerät keine explosiven Stoffe wie z. B. entflammbare Treibgasprays.
11. Dieses Gerät ist für den Gebrauch im Haushalt und in ähnlichen Bereichen vorgesehen, wie z.B.:
 - Küchenzeilen in Geschäften, Büros und anderen Arbeitsplätzen;
 - Geräte, die von Gästen in Hotels, Motels und anderen Beherbergungsbetrieben verwendet werden;
 - Geräte, die in Bed & Breakfast-Betrieben verwendet werden;
 - Geräte, die in der Gastronomie und ähnlichen nicht kommerziellen Umgebungen verwendet werden.
12. Dieses Gerät ist als freistehendes Gerät konzipiert. Es ist nicht zum Einbau oder zur festen Installation bestimmt.
13. Verwenden Sie dieses Gerät nur gemäß den Anweisungen in dieser Anleitung. Dies gewährleistet eine sichere Lebensmittelaufbewahrung.
14. Befolgen Sie die folgenden Empfehlungen, um eine Kontamination von Lebensmitteln zu vermeiden:
 - Das Öffnen der Tür über einen längeren Zeitraum kann zu einem erheblichen Temperaturanstieg im Geräteinneren führen.
 - Reinigen Sie regelmäßig Oberflächen, die mit Lebensmitteln in Berührung kommen können, und zugängliche Abflusssysteme.
 - Reinigen Sie die Wasserbehälter, wenn diese 48 Stunden lang nicht benutzt worden sind. Spülen Sie das an die Wasserversorgung angeschlossene Wassersystem durch, wenn 5 Tage lang kein Wasser dadurch geflossen ist.
 - Lagern Sie rohes Fleisch und Fisch im Kühlschrank in geeigneten Verpackungen, damit sie nicht mit anderen Lebensmitteln in Berührung kommen oder auf diese tropfen.
 - Die Zwei-Sterne-Gefrierfächer sind die Lagerung von Tiefkühlkost, die Aufbewahrung oder Herstellung von Eis und die Herstellung von Eiswürfeln geeignet.
 - Ein-, Zwei- und Drei-Sterne-Fächer sind nicht zum Einfrieren von frischen Lebensmitteln geeignet.
 - Wenn das Kühlgerät längere Zeit leer bleibt, schalten Sie es aus, tauen Sie es ab, reinigen und trocknen Sie es und lassen Sie die Tür offen, um Schimmelbildung im Geräteinneren zu vermeiden.
15. **WARNUNG:** Achten Sie beim Aufstellen des Geräts darauf, dass das Netzkabel nicht eingeklemmt oder beschädigt wird.
16. **WARNUNG:** Platzieren Sie Mehrfachsteckdosen oder tragbare Verlängerungskabel auf der Rückseite des Geräts.

17. **WARNUNG:** Nur qualifizierte Servicetechniker dürfen Service- oder Reparaturarbeiten durchführen, bei denen u. a. die Abdeckung entfernt werden muss. Reparieren Sie das Gerät nicht selbst, um die Stromunfälle zu vermeiden.
18. Behälter mit brennbaren Gasen oder Flüssigkeiten können bei niedrigen Temperaturen entkommen oder auslaufen.
19. Geben Sie niemals in den Gefrierteil kohlenensäurehaltige oder sprudelnde Getränke, Flaschen oder Dosen.
20. Eis am Stiel sowie Eiscreme können Erfrierungen verursachen, wenn sie unmittelbar nach dem Herausnehmen aus dem Gefrierschrank gegessen werden. Warten Sie daher immer mindestens 5 Minuten, bevor Sie sie essen.
21. Berühren Sie die Lebensmittel im Gefrierschrank nicht mit nassen oder feuchten Händen. Es kann zu Hautverletzungen oder Erfrierungen kommen.
22. Sorgen Sie dafür, dass Kinder nicht mit den Bedienelementen manipulieren.
23. Das Gerät ist schwer. Seien Sie bei der Manipulation mit dem Gerät besonders vorsichtig. Wir empfehlen, dass zwei Erwachsene mit dem Gerät manipulieren.
24. Es ist gefährlich, das Gerät in irgendeiner Weise zu ändern oder zu modifizieren.
25. Die LED-Lampe, die das Innere des Kühlschranks beleuchtet, darf nur von einem autorisierten Servicetechniker ausgetauscht werden. Wechseln Sie die Lampe niemals allein aus.
26. **WARNUNG:** Kühlgeräte – insbesondere Kühl- und Gefrierkombinationen des Typs I – müssen nicht ordnungsgemäß funktionieren (der Inhalt kann auftauen oder die Temperaturen im Gefrierteil können zu hoch sein), wenn sie längere Zeit unter der unteren Grenze des Temperaturbereichs liegen, für den das Kühlgerät vorgesehen ist.
27. **WARNUNG:** Bei Türen und Deckeln, die mit einem Schloss versehen sind, ist es wichtig, dass die Schlüssel des Schlosses außerhalb der Reichweite von Kindern und in ausreichender Entfernung vom Gerät aufbewahrt werden, um zu verhindern, dass Kinder sich im Gerät einschließen.
28. **WARNUNG:** Das Kältemittel im Gerät und das Isoliermaterial erfordern eine besondere Behandlung bei der Entsorgung des Geräts.

Stromanschluss

1. Dieses Gerät muss an eine ordnungsgemäß geerdete 220-240 V ~ 50 Hz Steckdose angeschlossen werden. Vergewissern Sie sich vor dem Anschluss des Geräts an das Stromnetz, dass die Spannung in Ihrer Steckdose, mit der auf dem Typenschild des Geräts angegebenen Spannung übereinstimmt.
2. Das Gerät ist für die Verwendung mit einem Spannungswandler vorgesehen.
3. Das Netzkabel muss hinter dem Gerät führen. Es sollte nicht offen liegen oder herunterhängen, um versehentliche Verletzungen zu vermeiden.
4. Trennen Sie das Gerät niemals durch Ziehen am Netzkabel von der

- Netzsteckdose. Ziehen Sie immer am Stecker.
5. Benutzen Sie kein Verlängerungskabel, da dies die Leistung des Geräts beeinträchtigen könnte. Wenn das Netzkabel zu kurz ist, wenden Sie sich an einen qualifizierten Elektromonteur oder einen Servicetechniker, um eine Steckdose in der Nähe des Geräts zu installieren.

Klimaklasse

Informationen über die Klimaklasse sind dem Typenschild des Geräts zu entnehmen. Es informiert über die Temperaturen (Temperaturen im Raum, in dem das Gerät steht), die optimal für den Betrieb des Geräts sind.

Klimaklasse	Umgebungstemperaturbereich
SN	Von +10 °C bis 32 °C
N	Von +16 °C bis 32 °C
ST	Von +16 °C bis 38 °C
T	Von +16 °C bis 43 °C



Bemerkung:

Die Betriebstemperatur des Geräts muss je nach Klimaklasse, Umgebungstemperatur, Häufigkeit des Öffnens der Tür usw. eingestellt werden.

Wenn das Gerät innerhalb der Klimaklasse betrieben wird, für die es nicht vorgesehen ist, funktioniert es möglicherweise nicht richtig.

Verschluss

Wenn das Gerät mit einem Schloss ausgestattet ist, bewahren Sie den Schlüssel an einem sicheren Ort (nicht in der Nähe des Geräts) außerhalb der Reichweite von Kindern auf, damit Sie sich nicht versehentlich im Gerät einschließen können.

Bevor Sie das Gerät umweltgerecht entsorgen, vernichten oder entsorten Sie das Schloss, so dass es nicht mehr verwendet werden kann.

Kühlmittel R600a

Das Kältemittel R600a und das Isoliermaterial Cyclopentan, die in Kühlgeräten verwendet werden, sind umweltfreundlich, schädigen die Ozonschicht nicht und haben nur geringe Auswirkungen auf die globale Erwärmung. Das im Kühlkreislauf enthaltene Kältemittel R600a ist jedoch brennbar. Seien Sie während des Transports, der Installation oder der anderen Manipulation mit dem Gerät besonders vorsichtig, um den Kühlkreislauf nicht zu beschädigen, wodurch das Kältemittel oder Kältemittelgase entkommen könnten. Wenn der Kühlkreislauf beschädigt ist und Kältemittel oder Kältemittelgase entkommen, löschen Sie sofort jedes offene Feuer und öffnen Sie die Fenster.

Geräte, die Kältemittel und Kältemittelgase enthalten, müssen umweltgerecht und fachgerecht entsorgt werden. Eine unsachgemäße Entsorgung kann zu Verletzungen, Entzündungen oder anderen gefährlichen Situationen führen. Mit Kältemittel und Kältemittelgasen darf nur eine qualifizierte Person mit gültiger Zertifizierung manipulieren. Vergewissern Sie sich vor der Entsorgung, dass der Kühlkreislauf nicht beschädigt ist.

Übersicht



- 1 Obere LED-Beleuchtung
- 2 Weinflaschenregal
- 3 Kühlschrankregal
- 4 Mittlere LED-Beleuchtung
- 5 Gemüse-/Obstfach
- 6 Fach für frische Lebensmittel
- 7 Gefrierschrank-Schubladen
- 8 Verstellbare Füße
- 9 Kühlschranktür
- 10 Türfächer
- 11 Gefrierschrank-Tür
- 12 Eiswürfelform
- 13 Eierhalter

Bedienfeld

- 14 Anzeige der Kühlschranktemperatur
- 15 Anzeige der Gefrierschranktemperatur
- 16 Symbol ✱ (Fast Cool)
- 17 Symbol ❄️ (Fast Freeze)
- 18 Symbol 🏖️ (Urlaubsmodus)
- 19 Symbol 🚫 (Kindersperre)
- 20 Taste FRIDGE
- 21 Taste FREEZER
- 22 Taste Super Cool/Super Frz.

TRANSPORT

Das Gerät darf nur in aufrechter Position transportiert werden. Das Verpackungsmaterial dient dem Schutz des Geräts während des Transports und muss während des Transports unversehrt bleiben.

Wenn das Gerät unbedingt in horizontaler Lage transportiert werden muss, so ist es so zu platzieren, dass sich die Türen nicht öffnen und somit nicht beschädigt werden. Danach muss das Gerät in aufrechte Position gestellt werden. Das Einstecken des Netzsteckers und das Einschalten des Geräts dürfen frühestens 4 Stunden nach dem Aufstellen in aufrechte Position durchgeführt werden, damit sich das Kältemittel im Kühlsystem setzen kann. Andernfalls könnte das Gerät irreversibel beschädigt werden, was zu einer gefährlichen Situation führen könnte.

Das Gerät ist schwer und wir empfehlen daher, dass bei der Manipulation mindestens zwei Personen anwesend sind. Vermeiden Sie es, das Gerät am oberen Rahmen, an der Tür usw. zu tragen.

VORBEREITUNG VOR DER VERWENDUNG

Auspacken des Geräts

Packen Sie den Kühlschrank vorsichtig aus und entfernen Sie alle Bänder, Etiketten oder sonstige Folien.

Auswahl des Installationsortes

Stellen Sie das Gerät auf eine feste und gerade Oberfläche in ausreichender Entfernung von der Netzsteckdose auf. Stellen Sie den Kühlschrank nicht auf Teppichen, Matten oder ähnlichem Material auf, da dies zu unerwünschten Vibrationen und übermäßigen Geräuschen führen kann.

Dieses Gerät ist für den Gebrauch im Haushalt und innerhalb von Gebäuden vorgesehen. Stellen Sie ihn nicht im Freien oder an einem Ort auf, an dem es Regen, Schnee, Feuchtigkeit oder anderen Witterungsbedingungen ausgesetzt ist.

Falls erforderlich, gleichen Sie den Kühlschrank aus. Hierzu dienen die verstellbaren Füße. Schrauben Sie sie heraus oder hinein, um den Kühlschrank auszugleichen. Dies ist wichtig, damit der Kühlschrank keine unerwünschten Vibrationen und übermäßigen Lärm verursacht.

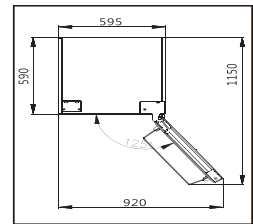
Die Menge des Kältemittels ist dem Typenschild zu entnehmen.

Um das Gerät herum muss ein ausreichender Freiraum für eine gute Luftzirkulation gewährleistet werden: mindestens 30 mm oberhalb des Geräts, mehr als 100 mm an den Seiten und mindestens 50 mm hinter dem Gerät.

Sorgen Sie dafür, dass vor dem Gerät genügend Platz ist, damit Sie die Tür leicht öffnen können.

Stellen Sie den Kühlschrank nicht in der Nähe von Öfen, Heizungen oder anderen Wärmequellen auf. Vermeiden Sie, dass der Kühlschrank direktem Sonnenlicht ausgesetzt wird.

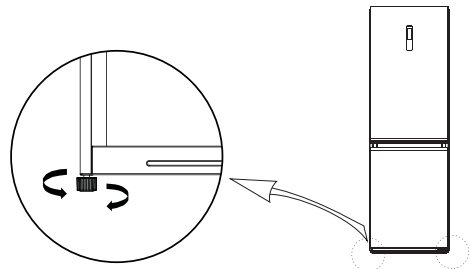
Stellen Sie den Kühlschrank nicht in feuchten oder staubigen Räumen auf. Verdecken Sie niemals die Belüftungsöffnungen. Der Kühlschrank kann Störungen bei Rundfunk- und Fernsehgeräten verursachen. Vergewissern Sie sich, dass der Kühlschrank in ausreichender Entfernung zu diesen Geräten aufgestellt wird.



Ausrichtung des Kühlschranks

Nachdem der Kühlschrank an einem geeigneten Ort aufgestellt wurde, muss er ausgeglichen werden, um einen leisen und zuverlässigen Betrieb, eine gute Abdichtung der Kühl- und Gefrierschranktüren und ein leichtes Öffnen und Schließen der Kühl- und Gefrierschranktüren zu gewährleisten.

Zum Ausrichten des Kühlschranks dienen die vorderen verstellbaren Füße. Im Uhrzeigersinn drehen, um den Kühlschrank anzuheben, gegen den Uhrzeigersinn drehen, um ihn abzusenken.



Reinigung vor der Verwendung

Vor der Erstverwendung oder wenn Sie den Kühlschrank längere Zeit nicht benutzt haben, reinigen Sie den Innenraum, alle Regale und Fächer mit sauberem Wasser, eventuell können Sie etwas weißes Essig ins Wasser geben. Verwenden Sie niemals

Reinigungsmittel, Lösungsmittel, Benzin usw., da Sie die Oberfläche beschädigen und den Kühlschrank irreparabel beschädigen könnten.

Wie lange Sie den Kühlschrank stehen lassen sollen

Wie lange Sie den Kühlschrank stehen lassen sollen

Warten Sie nach der Installation und Reinigung mindestens 2 Stunde, bevor Sie den Stecker in die Steckdose stecken, um einen ordnungsgemäßen Betrieb zu gewährleisten. Während dieser Zeit wird das Kältemittel gleichmäßig im Kreislauf verteilt.

Anschluss an die Stromquelle

Stecken Sie den Stecker in eine ordnungsgemäß geerdete Steckdose. Das Gerät muss geerdet sein. Die auf dem Typenschild des Geräts angegebene Spannung muss mit der Spannung an Ihrer Steckdose übereinstimmen. Sollten Sie Zweifel haben, wenden Sie sich an Ihren Stromanbieter oder einen qualifizierten Elektromonteur.

VERWENDUNG

Einstellung der Kühlschranktemperatur

Drücken Sie einmal die Taste **FRIDGE**, um in den Modus für die Einstellung der Kühlschranktemperatur zu gelangen.

Drücken Sie wiederholt die Taste **FRIDGE**, um die Temperatur in einem Bereich von 2 bis 8 °C einzustellen. Auf dem Display wird der eingestellte Wert angezeigt. Warten Sie etwa 5 Sekunden, bis der eingestellte Wert gespeichert wird.

Stellen Sie die Temperatur in Abhängigkeit von der Jahreszeit, der Raumtemperatur und der Menge der eingelegten Lebensmittel ein.

Die Temperatur im Inneren des Kühlschranks hängt von der Umgebungstemperatur, der Häufigkeit des Öffnens der Tür und der Menge der gelagerten Lebensmittel ab. Wenn sich im Kühlschrank eine Eiskruste bildet, erhöhen Sie die Temperatur.



Bemerkung:

Bevor Sie Lebensmittel in den Kühlschrank oder das Gefrierfach legen, lassen Sie den Kühlschrank mindestens 2–3 Stunden (im Sommer 4 Stunden) eingeschaltet, damit das Innere abkühlen kann.

Einstellung der Temperatur im Gefrierschrank


Drücken Sie einmal die Taste **FREEZER**, um in den Modus für die Einstellung der Temperatur im Gefrierschrank zu gelangen.


Drücken Sie wiederholt die Taste **FREEZER**, um die Temperatur in einem Bereich von -16 bis -24 °C einzustellen. Auf dem Display wird der eingestellte Wert angezeigt. Warten Sie etwa 5 Sekunden, bis der eingestellte Wert gespeichert wird.

Stellen Sie die Temperatur in Abhängigkeit von der Jahreszeit, der Raumtemperatur und der Menge der eingelegten Lebensmittel ein.

Urlaubsmodus

Der Urlaubsmodus ist geeignet, wenn Sie in den Urlaub fahren oder für längere Zeit von zu Hause weg sind. In diesem Modus wird die Leistung des Kühlschranks reduziert. Das Kühlfach ist komplett ausgeschaltet und die Gefriertemperatur wird auf -18 °C gehalten.

Halten Sie die Taste **FRIDGE** 3 Sekunden lang gedrückt, bis auf dem Display das Symbol für den Urlaubsmodus blinkt . Der Kühlschrank wechselt in den Urlaubsmodus. Wenn Sie den Urlaubsmodus abbrechen möchten, halten Sie die Taste **FRIDGE** 3

Sekunden lang gedrückt, bis das Symbol für Urlaubsmodus  erlischt. Stellt die ursprüngliche Temperatur des Kühl- und Gefrierschranks wieder her. Sie können den Urlaubsmodus auch beenden, indem Sie die Kühlschranktemperatur einstellen (Taste **FRIDGE**), die Gefrierschranktemperatur einstellen (Taste **FREEZE**) oder die Taste **Super Cool/Super Frz** drücken.

Funktion Fast Cool


Die Funktion Fast Cool dient zum schnellen Abkühlen des Innenbereichs des Gefrier- teils.

Drücken Sie wiederholt die Taste **Super Cool/Super Frz.**, bis das Symbol  auf dem Display aufleuchtet. Die Kühlschranktemperatur wird automatisch auf 2 °C eingestellt. Der Kühlschrank bleibt maximal 6 Stunden lang im Schnellkühlmodus, danach schaltet sich der Modus ab und die ursprüngliche Temperatur des Kühlschranks wird wiederhergestellt.

Wenn Sie die Schnellkühlfunktion abbrechen möchten, drücken Sie wiederholt die Taste **Super Cool/Super Frz.** bis das Symbol  erlischt.

Funktion Fast Freeze

Die Funktion Fast Freeze dient zum schnellen Abkühlen des Innenbereichs des Gefrier- teils. Fast Freeze ist nützlich, wenn Sie größere Mengen frischer Lebensmittel einfrieren möchten.


Drücken Sie wiederholt die Taste **Super Cool/Super Frz.**, bis das Symbol  auf dem Display aufleuchtet. Die Gefriertemperatur wird automatisch auf -24 °C eingestellt. Der Kühlschrank bleibt maximal 24 Stunden lang im Schnellgefriermodus. Danach schaltet sich der Modus ab und die Gefriertemperatur wird wiederhergestellt.


Die Temperatur des Gefrier- teils kann nicht geändert werden, aus diesem Grund wird die Taste **FREEZER** nicht aktiv sein.

Wenn Sie die Schnellkühlfunktion abbrechen möchten, drücken Sie wiederholt die Taste **Super Cool/Super Frz.** bis das Symbol  erlischt.

Kindersicherung

Dank der Kindersperre kann das Bedienfeld gesperrt werden, um versehentliche Än- derungen an den Einstellungen des Geräts zu verhindern.

Halten Sie die Taste **Super Cool/Super Frz.** 3 Sekunden lang gedrückt, um die Kinder- sicherung zu aktivieren. Es ertönt ein akustisches Signal und auf dem Display leuchtet das Symbol für Kindersperre  auf.

Um die Kindersicherung aufzuheben, halten Sie die Taste **Super Cool/Super Frz.** 3 Sekunden lang gedrückt. Es ertönt ein akustisches Signal und auf dem Display erlischt das Symbol für Kindersperre .



Bemerkung:

Das Bedienfeld wird automatisch gesperrt, wenn es 30 Sekunden inaktiv ist. Um es zu entsperren, halten Sie die Taste **Super Cool/Super Frz.** 3 Sekunden lang gedrückt. Jeder Tastendruck wird mit einem akustischen Signal begleitet.

Bedienfeld und Display

Im normalen Betrieb zeigt das Display oben die Kühlschranktemperatur und unten die Gefrierschranktemperatur an. Wenn der Kühlschrank zum ersten Mal eingeschalt- et wird, ist die Standardtemperatur auf 5 °C für den Kühlschrank und -18 °C für das Gefrierfach eingestellt.

Nach dem ersten Einschalten ist das Bedienfeld 3 Sekunden lang voll beleuchtet. Da- nach wechselt es in die normale Betriebsansicht.

Das Bedienfeld wird nach 30 Sekunden Inaktivität automatisch gesperrt und das Display schaltet sich 30 Sekunden nach der Sperrung des Bedienfelds aus. Die Temperaturen im Kühl- und Gefrierfach werden jedoch weiterhin angezeigt.

Anzeige für offene Tür

Wenn die Kühlschranktür länger als 120 Sekunden geöffnet ist, ertönt ein Warnton. Dieser ertönt in regelmäßigen Abständen, bis Sie die Tür schließen.

Lagerung von Lebensmitteln

Die kalte Luft zirkuliert im gesamten Bereich des Kühlschranks, so dass die Temperatur in verschiedenen Bereichen des Kühlschranks unterschiedlich ist, weshalb verschiedene Arten von Lebensmitteln an verschiedenen Stellen gelagert werden sollten. Geben Sie in den Kühlschrank originalverpackte Lebensmittel oder Lebensmittel in luftdichten Behältern, um unangenehme Gerüche oder eine mögliche Kontamination zu vermeiden.

Bewahren Sie im Kühlschrank frische Lebensmittel wie gekochte Speisen, Getränke, Eier, Milchprodukte usw. im Kühlfach auf. Lagern Sie Gemüse und Obst in der Schublade. Eis, Tiefkühlkost, Lebensmittel usw. sollten im Gefrierfach gelagert werden.

Anordnung der Lebensmittel im Kühlschrank

Türfächer	Getränke, Konfitüren, Würzmittel (z. B. Senf)
Gemüse-/Obstfach	Obst, Gemüse und Kräuter, die im Kühlschrank aufbewahrt werden
Fach für frische Lebensmittel	Rohes Fleisch, Geflügel, Fisch (kurzfristige Lagerung)
Unteres Regal	Milchprodukte, Eier
Mittlere und obere Regale	Lebensmittel, die nicht gekocht werden müssen: Aufschnitt, Fertiggerichte usw.
Gefrierschrank-Schubladen	Lebensmittel, die lange gelagert werden können. Untere Schublade: rohes Fleisch, Geflügel oder Fisch Mittlere Schublade: tiefgekühltes Gemüse, Pommes frites Obere Schubladen: Eiscreme, gefrorenes Obst, gefrorenes Gebäck

Eiswürfelform: Füllen Sie die Eiswürfelform mit sauberem Trinkwasser und stellen Sie ihn in den Gefrierfachteil.

Beim Einkaufen von Lebensmitteln:

- Um Verschwendung zu vermeiden, sollten Sie eine Einkaufsliste erstellen und nur angemessene Mengen Lebensmittel kaufen.
- Achten Sie immer auf das Verfallsdatum, das der Verpackung zu entnehmen ist.
- Überprüfen Sie den Zustand der Verpackung auf Schäden.
- Überprüfen Sie vor allem bei Obst und Gemüse dessen Aussehen und Geruch. Kaufen Sie nur unversehrtes Obst und Gemüse.
- Legen Sie Tiefkühlkost zuletzt in den Einkaufskorb und verwenden Sie spezielle Beutel für deren Transport.
- Überprüfen Sie beim Kauf von verpackten Lebensmitteln immer, dass die Verpackung unversehrt ist.

- Beachten Sie die maximale Menge an Lebensmitteln, die innerhalb von 24 Stunden eingefroren werden können. Diese Angabe ist dem Typenschild zu entnehmen. Öffnen Sie während dieser Zeit die Gefriertür so wenig wie möglich.
- Vergewissern Sie sich immer, dass der Innenbereich ausreichend abgekühlt ist, bevor Sie tiefgekühlte oder frische Lebensmittel hineinlegen, insbesondere wenn im Innenbereich bereits gefrorene Lebensmittel aufbewahrt werden. Andernfalls könnten sie auftauen.
- Lassen Sie heiße Speisen vor dem Einfrieren vollständig abkühlen.
- Verpacken Sie frische Lebensmittel in Beutel, um diese richtig aufzubewahren. Markieren Sie sie mit Namen, Gewicht und Datum. Die Beutel sollten vor dem Hineinlegen in den Gefrierteil trocken sein.

Bei der Lagerung von Lebensmitteln:

- Kontrollieren Sie regelmäßig den Zustand der gelagerten Lebensmittel und verzehren Sie sie rechtzeitig.
- Legen Sie Lebensmittel, die Sie regelmäßig essen oder zubereiten, nach vorne. Dies verkürzt die Zeit, während der die Tür geöffnet ist.
- Aufgetaute oder teilweise aufgetaute Lebensmittel sollten nicht wieder tiefgekühlt werden.
- Aufgetautes Fleisch sollte gekocht werden.
- Bewahren Sie nicht zu viele Lebensmittel im Kühlschrank auf. Sorgen Sie dafür, dass um die Lebensmittel herum ein freier Raum gewährleistet wird, damit kalte Luft ungehindert fließen kann.
- Lassen Sie heiße Speisen abkühlen, bevor Sie sie in den Kühlschrank geben.
- Öffnen Sie die Kühlschranktür nicht zu oft.
- Bewahren Sie nur Lebensmittel im Kühlschrank auf, die für die Aufbewahrung im Kühlschrank bestimmt sind. Einige Lebensmittel, insbesondere Obst und Gemüse, müssen nicht im Kühlschrank aufbewahrt werden.
- Geben Sie in den Gefrierteil originalverpackte Lebensmittel oder Lebensmittel in luftdichten Behältern, um unangenehme Gerüche oder eine mögliche Kontamination zu vermeiden.
- Wenn Sie Lebensmittel im Gefrierteil aufbewahren, halten Sie Abstand zur Innenwand. Stellen Sie wasserhaltige Lebensmittel nicht zu nah an die Rückwand, damit sie nicht anfrieren.
- Stellen Sie keine mit Flüssigkeit gefüllten Gläser oder Getränke in Dosen in den Gefrierteil. Es besteht die Gefahr von Schäden, da eingefrorene Flüssigkeiten an Volumen zunehmen.

REINIGUNG UND WARTUNG

Halten Sie den Kühlschrank sauber. Essens- oder Lebensmittelreste können einen unangenehmen Geruch im Kühlschrank verursachen. Wir empfehlen, die Regale, Schubladen und Fächer mindestens einmal im Monat zu reinigen.

Routinemäßige Wartung

Nehmen Sie alle Lebensmittel aus dem Kühlschrank, aber nicht aus dem Gefrierteil, und dann die Regale, Schubladen und Fächer heraus. Waschen Sie diese Teile in warmem Wasser mit etwas Geschirrspülmittel, spülen Sie sie ab und wischen Sie sie trocken.

Wischen Sie den Innenbereich des Kühlschranks mit einem sauberen Tuch ab, das ein

wenig mit sauberem, lauwarmem Wasser angefeuchtet ist. Wischen Sie sie trocken. Wischen Sie die Türdichtung mit einem weichen mit etwas warmem Wasser angefeuchteten Tuch ab.

Wischen Sie die äußere Oberfläche des Kühlschranks mit einem weichen mit etwas warmem Wasser mit Geschirrspülmittel angefeuchteten Tuch ab.

Entfernen Sie den Staub auf der Rückseite des Kühlschranks. Sie können auch einen Staubsauger mit Bürstendüse benutzen, der auf eine niedrige Leistung eingestellt ist.



Warnung:

Verwenden Sie zur Reinigung keine groben Putzmittel, alkalische Reiniger, Lösungsmittel, Benzin usw. Verwenden Sie nur einen weichen Schwamm oder ein Tuch. Verwenden Sie keinen Topfkratzer oder andere Materialien, die Kratzer auf der Oberfläche hinterlassen können.

Abtauen

Der Kühlschrank ist mit einem No-Frost-System ausgestattet, das für eine automatische Abtauung sorgt. Daher ist es nicht erforderlich, das Gefrierfach manuell abzutauen.



Warnung:

Tauchen Sie das Gerät, das Netzkabel oder den Stecker niemals in Wasser oder andere Flüssigkeiten.

Auswechseln der Beleuchtung

Die LED-Lampe, die das Innere des Kühlschranks beleuchtet, darf nur von einem autorisierten Servicetechniker ausgetauscht werden. Wechseln Sie die Lampe niemals allein aus. Wenden Sie sich an einen autorisierten Kundendienst. Dieses Produkt enthält eine Lichtquelle der Energieeffizienzklasse G.

Ausschalten des Kühlschranks über einen längeren Zeitraum

Wenn Sie den Kühlschrank nicht benutzen, ziehen Sie den Stecker aus der Steckdose. Reinigen Sie den Innenbereich, einschließlich des Gefrierteils, wie oben beschrieben. Lassen Sie die Tür offen, um unerwünschte Geruchsbildung zu vermeiden.

PROBLEMLÖSUNG

Problem	Ursache	Lösung
Der Kühlschrank kühlt nicht.	Der Stecker ist nicht oder falsch in die Steckdose eingesteckt.	Stecken Sie den Stecker richtig in die Steckdose.
	Die Spannung an der Steckdose ist zu niedrig.	Wenden Sie sich an einen qualifizierten Elektriker oder Elektroinstallateur.
	Der Leitungsschutzschalter ist rausgeflogen oder die Sicherung ist durchgebrannt.	Überprüfen Sie den Leitungsschutzschalter oder die Sicherung.

Problem	Ursache	Lösung
Im Innenraum herrscht ein unangenehmer Geruch.	Lebensmittel mit einem aufdringlichen Aroma sind nicht richtig verpackt.	Wickeln Sie Lebensmittel mit starken Aromen gut ein oder legen Sie sie in einen luftdichten Behälter.
	Im Kühlschrank befinden sich verdorbene Lebensmittel.	Entsorgen Sie die verdorbenen Lebensmittel.
	Der Innenbereich ist schmutzig.	Reinigen Sie den Innenbereich.
Der Kompressor ist noch in Betrieb.	An heißen Tagen ist es üblich, dass der Kompressor die ganze Zeit läuft. Es handelt sich um eine normale Erscheinung.	
	Geben Sie nicht zu viele Lebensmittel in den Kühlschrank.	Füllen Sie den Kühlschrank nicht zu voll.
	Sie haben heißes Essen hineingegeben.	Legen Sie die Lebensmittel in den Innenraum, wenn sie auf Zimmertemperatur abgekühlt sind.
	Die Tür wird häufig geöffnet.	Öffnen Sie die Tür seltener und nur so lange wie nötig.
Die Innenbeleuchtung leuchtet nicht.	Der Kühlschrank ist nicht eingeschaltet.	Schalten Sie den Kühlschrank ein.
	Die Lampe ist kaputt.	Lassen Sie die Lampe austauschen.
Die Tür lässt sich nicht schließen.	Eingelegte Lebensmittel verhindern das Schließen der Tür.	Ordnen Sie die Lebensmittel so an, dass die Tür geschlossen werden kann.
	Der Kühlschrank ist nicht ausgeglichen.	Gleichen Sie den Kühlschrank aus.
Die Türdichtung ist undicht.	Die Dichtung ist verschmutzt.	Entfernen Sie Schmutz von der Dichtung.
	Die Dichtung ist verformt.	Erhitzen Sie die Dichtung leicht und kühlen Sie sie dann ab, um ihre ursprüngliche Form wiederherzustellen. Verwenden Sie ein heißes Handtuch oder einen Haartrockner, um die Dichtung zu erwärmen.

Problem	Ursache	Lösung
Unter dem Kühlschrank befindet sich Wasser.	Es befinden sich zu viele Lebensmittel im Innenraum oder die Lebensmittel enthalten viel Wasser, was ein häufigeres Auftauen verursacht.	Reduzieren Sie die Menge der Lebensmittel im Kühlschrank. Entfernen Sie Lebensmittel, die nicht gekühlt gelagert werden müssen.
	Die Tür ist nicht richtig geschlossen.	Schließen Sie die Tür.
Die Außenfläche des Kühlschranks ist heiß.	Überschüssige Wärme wird über die Außenfläche des Kühlschranks abgeleitet. Es handelt sich um eine normale Erscheinung. Wenn die Außenfläche durch hohe Umgebungstemperaturen oder große Mengen an Lebensmitteln, die im Kühlschrank gelagert werden, heiß wird, empfehlen wir eine ausreichende Belüftung, um die Wärme von der Außenfläche abzuführen.	
Das Wasser kondensiert an der äußeren Oberfläche.	Die Umgebungsfeuchtigkeit ist hoch.	Wischen Sie die Außenfläche des Kühlschranks mit einem sauberen Tuch ab und reduzieren Sie die Luftfeuchtigkeit im Raum.
Der Kühlschrank macht ein ungewöhnliches Geräusch.	Ein surrendes Geräusch: Der Kompressor kann während des Betriebs ein surrendes Geräusch machen. Das Geräusch kann beim Starten oder Stoppen des Kompressors lauter sein. Es handelt sich um eine normale Erscheinung. Quietschen: Die Bewegung des Kältemittels im internen Kreislauf kann ein Quietschgeräusch verursachen. Es handelt sich um eine normale Erscheinung.	

Wenn das Problem nicht in der obigen Tabelle angeführt ist oder das Problem nicht behoben werden konnte, schalten Sie das Gerät aus, ziehen Sie den Stecker des Netzkabels aus der Steckdose und wenden Sie sich an eine autorisierte Kundendienststelle.

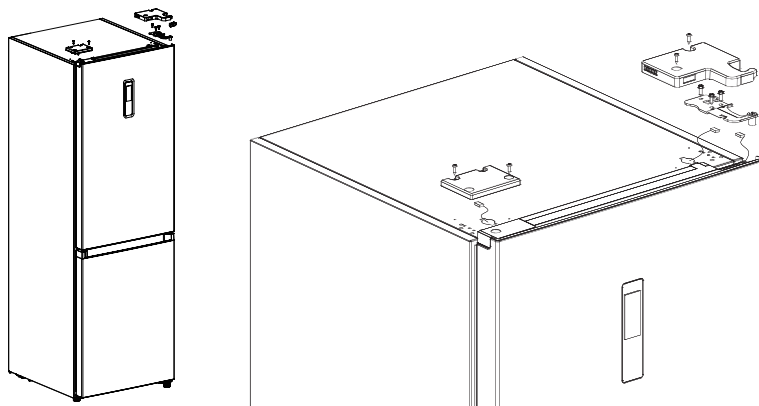
Fehlermeldungen

Die folgenden Fehlermeldungen können auf dem Display erscheinen und weisen auf bestimmte Störungen des Kühlschranks hin. Wenden Sie sich an eine autorisierte Kundendienststelle, wenn eine der Fehlermeldungen auftritt.

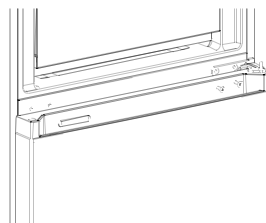
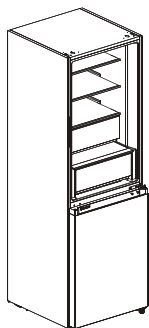
Fehlermeldung	Bedeutung
E1	Störung im Temperatursensor des Kühlbereichs
E2	Gefrierfachtemperatursensor defekt
E3	Fehler im Temperatursensor der Frischhalte­schublade
E5	Defekt in der Erfassungsschaltung des Abtaufühlers
E6	Ausfall der Kommunikation
E7	Störung des Umgebungstemperatursensors

ÄNDERUNG DER ÖFFNUNGSRICHTUNG DER TÜR

1. Vergewissern Sie sich, dass der Stecker aus der Steckdose gezogen ist. Legen Sie die erforderlichen Werkzeuge bereit (Kreuzschlitzschraubendreher, Schlitzschraubendreher, Ratsche oder Abdeckband).
2. Entfernen Sie die Lebensmittel aus den Türfächern und nehmen Sie die Türfächer heraus.
3. Entfernen Sie die Zierabdeckung des linken oberen Scharniers, die Abdeckung des rechten oberen Scharniers und das rechte obere Scharnier und lösen Sie die Leitungsklemmen des Türschalters.

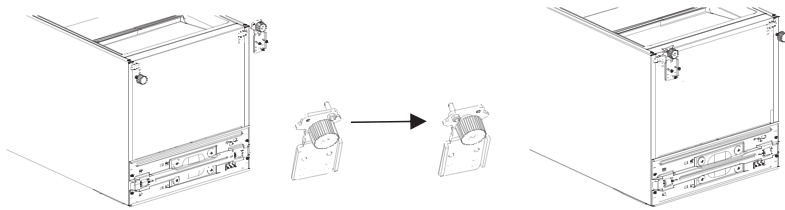


4. Nehmen Sie die Kühlschranktür vorsichtig ab. Legen Sie sie auf eine weiche Unterlage. Achten Sie darauf, dass Sie keine Kleinteile wie die Wellenhülse und den Türanschlag verlieren.
5. Lösen und entfernen Sie das mittlere Scharnier. Entfernen Sie die Zierkappen am linken mittleren Scharnier und bringen Sie sie auf der rechten Seite an.



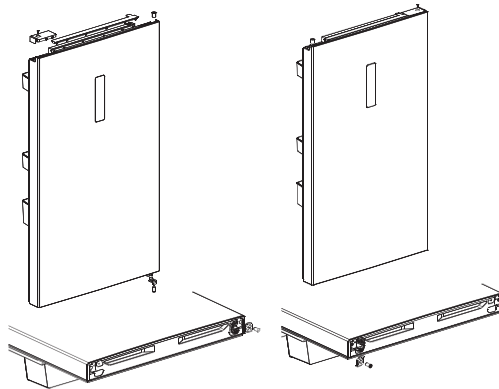
6. Nehmen Sie die Gefrierschranktür vorsichtig ab. Legen Sie sie auf eine weiche Unterlage. Achten Sie darauf, dass Sie keine Kleinteile wie die Wellenhülse und den Türanschlag verlieren.
7. Lösen und entfernen Sie das untere Scharnier und den linken verstellbaren Fuß. Bewegen Sie den unteren Scharnierstift auf die andere Seite und schrauben Sie das untere Scharnier auf der linken Seite fest. Schrauben Sie den verstellbaren Fuß

auf der anderen Seite an.



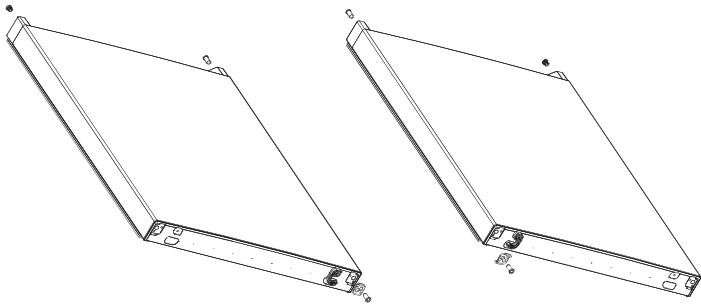
8. Vorbereiten der Kühlschranktür:

- Entfernen Sie die Abdeckplatte der oberen Endabdeckung der Kühlschranktür und die linke Zierabdeckung. Montieren Sie die obere Wellenhülse und die Leitungsklemme des Türschalters auf der anderen Seite und decken Sie sie mit der oberen Endkappe ab. Nehmen Sie die rechte Zierabdeckung aus dem Zubehör und bringen Sie sie auf der anderen Seite der oberen Endkappe an.
- Entfernen Sie das Selbstverriegelungssystem, den Türanschlag und die Wellenhülse der Kühlschranktür. Nehmen Sie das Selbstverriegelungssystem für die linke Tür aus dem Zubehör und bringen Sie es auf der linken Seite der unteren Endkappe der Kühlschranktür an. Bringen Sie den Türanschlag und die Wellenhülse auf die linke Seite der unteren Endkappe der Kühlschranktür.

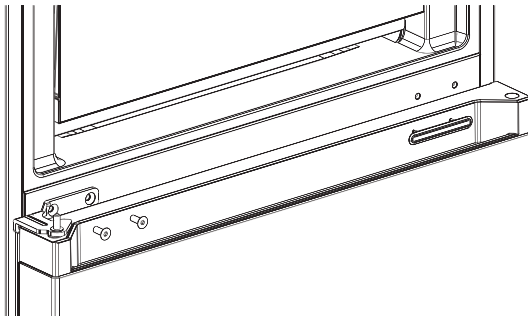


9. Vorbereiten der Gefriertür:

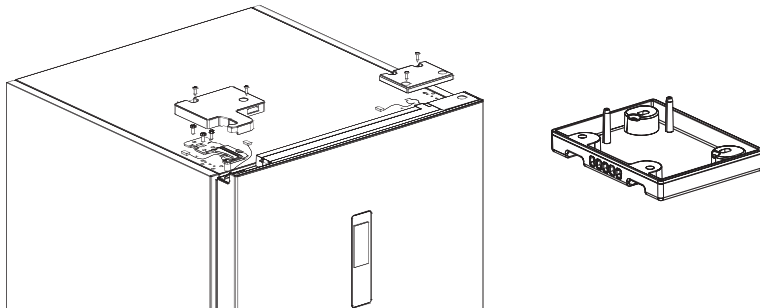
- Entfernen Sie die Wellenhülse und die obere Endkappe der Gefrierschranktür und bringen Sie sie auf den gegenüberliegenden Seiten an.
- Entfernen Sie das Selbstverriegelungssystem und die Wellenhülse des Gefriertür. Nehmen Sie das Selbstverriegelungssystem für die linke Tür aus dem Zubehör und bringen Sie es auf der linken Seite der unteren Endkappe der Gefrierschranktür an. Bringen Sie den Türanschlag und die Wellenhülse auf die linke Seite der unteren Endkappe der Gefrierschranktür.



10. Setzen Sie die Gefriertür auf das untere Scharnier, richten Sie sie aus und schrauben Sie das mittlere Scharnier an. Vergewissern Sie sich, dass die Tür gut sitzt und abdichtet, bevor Sie die Schrauben des mittleren Scharniers anziehen. Setzen Sie die Zierkappen in die freien Löcher des mittleren Scharniers ein.



11. Nehmen Sie die linke obere Scharnierabdeckung und das linke obere Scharnier aus dem Zubehör.
12. Setzen Sie die Kühlschrantür auf das mittlere Scharnier, richten Sie sie aus und schrauben Sie das obere Scharnier an. Vergewissern Sie sich, dass die Tür gut sitzt und abdichtet, bevor Sie die Schrauben des oberen Scharniers anziehen. Schließen Sie die Leitungsklemmen des Türschalters an. Bringen Sie die Zierkappe des Scharniers auf der rechten Seite wieder an (beim Anbringen der Zierkappe auf der rechten Seite müssen zwei Zacken abgeschnitten werden) und bringen Sie die obere Scharnierabdeckung wieder an.



Produktdatenblatt

DELEGIERTE VERORDNUNG (EU) 2019/2016 DER KOMMISSION zur Energieverbrauchskennzeichnung von Kühlgeräten

Name oder Handelsmarke des Lieferanten: Siguro

Anschrift des Lieferanten: PL - SIGURO, Jankovcova 1522/53 17000 Praha Holešovice Česká republika

Modellkennung: SGR-BF-A241S

Art des Kühlgeräts:

Geräuscharmes Gerät:	Nein	Bauart:	freistehend
Weinlagerschrank:	Nein	Anderes Kühlgerät:	Ja

Allgemeine Produktparameter:

Parameter		Wert	Parameter	Wert
Gesamtabmessungen (in Millimeter)	Höhe	2 010	Gesamtrauminhalt (in dm ³ oder l)	378
	Breite	595		
	Tiefe	700		
EEI		41	Energieeffizienzklasse	A
Luftschallemissionen (in dB(A) re 1 pW)		29	Luftschallemissionsklasse	A
Jährlicher Energieverbrauch (in kWh/a)		113	Klimaklasse:	erweiterte gemäßigte Zone, gemäßigte Zone, subtropische Zone, tropische Zone
Mindestumgebungstemperatur (in °C), für die das Kühlgerät geeignet ist		10	Höchstumgebungstemperatur (in °C), für die das Kühlgerät geeignet ist	43
Winterschaltung		Nein		

Fachparameter:

Fachparameter und #werte				
Fachtyp	Rauminhalt des Fachs (in dm ³ oder l)	Empfohlene Temperatureinstellung für eine optimierte Lebensmittellagerung (in °C) Diese Einstellungen dürfen nicht im Widerspruch zu den Lagerbedingungen	Gefriervermögen (in kg/24h)	Defrosting type (auto-defrost=A, manual defrost=M)

		gen nach Anhang IV Tabelle 3 stehen			
Speisekammerfach	Nein	-	-	-	-
Weinlagerfach	Nein	-	-	-	-
Kellerfach	Nein	-	-	-	-
Lagerfach für frische Lebensmittel	Ja	216,0	4	-	A
Kaltlagerfach	Ja	40,0	2	-	A
Null-Sterne- oder Eisbereiterfach	Nein	-	-	-	-
Ein-Stern-Fach	Nein	-	-	-	-
Zwei-Sterne-Fach	Nein	-	-	-	-
Drei-Sterne-Fach	Nein	-	-	-	-
Vier-Sterne-Fach	Ja	122,0	-18	8,5	A
Zwei-Sterne-Abteil	Nein	-	-	-	-
Fach mit variabler Temperatur	-	-	-	-	-
Für Vier-Sterne-Fächer					
Schnelleinfrierfunktion			Ja		
Lichtquellenparameter:					
Art der Lichtquelle			LED		
Energieeffizienzklasse			G		
Mindestlaufzeit der vom Hersteller angebotenen Garantie: 36 Monate					
Weitere Angaben:					
Weblink zur Website des Herstellers, auf der die Informationen gemäß Nummer 4 Buchstabe a des Anhangs der Verordnung (EU) 2019/2019 der Kommission zu finden sind: www.siguro.cz					

Model placed on the Union market from 01/08/2024.



EPREL registration number: 2012521

<https://eprel.ec.europa.eu/qr/2012521>

Supplier: Alza.cz a.s. (Manufacturer)

Website: www.alza.cz

Customer care service:

Name: PL - SIGURO

Website: www.siguro.cz

Email: siguro@alza.cz

Phone: 225 340 111

Address:

Jankovcova 1522/53 17000 Praha Holešovice Česká republika

Produktdatenblatt

DELEGIERTE VERORDNUNG (EU) 2019/2016 DER KOMMISSION zur Energieverbrauchskennzeichnung von Kühlgeräten

Name oder Handelsmarke des Lieferanten: Siguro

Anschrift des Lieferanten: PL - SIGURO, Jankovcova 1522/53 17000 Praha Holešovice Česká republika

Modellkennung: SGR-BF-A241Y

Art des Kühlgeräts:

Geräuscharmes Gerät:	Nein	Bauart:	freistehend
Weinlagerschrank:	Nein	Anderes Kühlgerät:	Ja

Allgemeine Produktparameter:

Parameter	Wert	Parameter	Wert	
Gesamtabmessungen (in Millimeter)	Höhe	2 010	Gesamtrauminhalt (in dm ³ oder l)	378
	Breite	595		
	Tiefe	700		
EEL	41	Energieeffizienzklasse	A	
Luftschallemissionen (in dB(A) re 1 pW)	29	Luftschallemissionsklasse	A	
Jährlicher Energieverbrauch (in kWh/a)	113	Klimaklasse:	erweiterte gemäßigte Zone, gemäßigte Zone, subtropische Zone, tropische Zone	
Mindestumgebungstemperatur (in °C), für die das Kühlgerät geeignet ist	10	Höchstumgebungstemperatur (in °C), für die das Kühlgerät geeignet ist	43	
Winterschaltung	Nein			

Fachparameter:

Fachparameter und #werte				
Fachtyp	Rauminhalt des Fachs (in dm ³ oder l)	Empfohlene Temperatureinstellung für eine optimierte Lebensmittellagerung (in °C) Diese Einstellungen dürfen nicht im Widerspruch zu den Lagerbedingungen	Gefrierermögen (in kg/24h)	Defrosting type (auto-defrost=A, manual defrost=M)

			gen nach Anhang IV Tabelle 3 stehen		
Speisekammerfach	Nein	-	-	-	-
Weinlagerfach	Nein	-	-	-	-
Kellerfach	Nein	-	-	-	-
Lagerfach für frische Lebensmittel	Ja	216,0	4	-	A
Kaltlagerfach	Ja	40,0	2	-	A
Null-Sterne- oder Eisbereiterfach	Nein	-	-	-	-
Ein-Stern-Fach	Nein	-	-	-	-
Zwei-Sterne-Fach	Nein	-	-	-	-
Drei-Sterne-Fach	Nein	-	-	-	-
Vier-Sterne-Fach	Ja	122,0	-18	8,5	A
Zwei-Sterne-Abteil	Nein	-	-	-	-
Fach mit variabler Temperatur	-	-	-	-	-
Für Vier-Sterne-Fächer					
Schnelleinfrierfunktion			Ja		
Lichtquellenparameter:					
Art der Lichtquelle			LED		
Energieeffizienzklasse			G		
Mindestlaufzeit der vom Hersteller angebotenen Garantie: 36 Monate					
Weitere Angaben:					
Weblink zur Website des Herstellers, auf der die Informationen gemäß Nummer 4 Buchstabe a des Anhangs der Verordnung (EU) 2019/2019 der Kommission zu finden sind: www.siguro.cz					

Model placed on the Union market from 01/08/2024.



EPREL registration number: 2012730

<https://eprel.ec.europa.eu/qr/2012730>

Supplier: Alza.cz a.s. (Manufacturer)

Website: www.alza.cz

Customer care service:

Name: PL - SIGURO

Website: www.siguro.cz

Email: siguro@alza.cz

Phone: 225 340 111

Address:

Jankovcova 1522/53 17000 Praha Holešovice Česká republika

Děkujeme, že jste si koupili spotřebič značky SIGURO. Jsme vděční za vaši důvěru a je nám radostí vám přístroj na dalších stránkách představit a seznámit vás se všemi jeho funkcemi a způsoby použití.

Věříme ve spravedlivou a odpovědnou společnost, a proto spolupracujeme pouze s dodavateli, kteří splňují naše přísná kritéria na ochranu zájmu zaměstnanců, prevenci jejich zneužívání a férové pracovní podmínky.

Pokud potřebujete pomoci s rozsáhlou údržbou nebo opravou výrobku, která vyžaduje zásah do jeho vnitřních částí, je vám k dispozici náš autorizovaný servis na e-mailové adrese siguro@alza.cz nebo operátoři na infolince prodejce. Pro vaše pohodlí při řešení jakýchkoliv problémů s výrobkem jsme tato kontaktní místa sjednotili a výše uvedené kontakty lze využít i v případě veškerých reklamací nebo pozáručního servisu.

BEZPEČNOSTNÍ INFORMACE



Před použitím si prosím pozorně přečtete tento manuál a uschovejte ho pro budoucí použití.

1. Tento spotřebič mohou používat děti ve věku 8 let a starší a osoby se sníženými fyzickými, smyslovými nebo mentálními schopnostmi nebo nedostatkem zkušeností a znalostí, pokud jsou pod dozorem nebo byly poučeny o používání spotřebiče bezpečným způsobem a rozumí případným nebezpečím.
2. Děti si se spotřebičem nesmějí hrát.
3. Čištění a údržbu prováděnou uživatelem nesmějí provádět děti bez dozoru.
4. Jestliže je napájecí přívod poškozen, musí být nahrazen výrobcem, jeho servisním technikem nebo podobně kvalifikovanou osobou, aby se zabránilo vzniku nebezpečné situace.



UPOZORNĚNÍ: NEBEZPEČÍ OHNĚ!

5. Děti ve věku 3 až 8 let mohou vkládat a vyjímat potraviny ze spotřebiče.
6. **VÝSTRAHA:** Větrací otvory v krytu spotřebiče nebo v jeho konstrukci je nutné udržovat volné.
7. **VÝSTRAHA:** K urychlení odmrazovacího procesu nepoužívejte žádná mechanická zařízení nebo jiné prostředky než ty, které výrobce doporučuje.
8. **VÝSTRAHA:** Nepoškozujte chladič obvod.

9. **VÝSTRAHA:** Nepoužívejte elektrické spotřebiče v prostoru pro uchování potravin, pokud se nejedná o typy doporučené výrobcem.
10. V tomto spotřebiči neukládejte výbušné látky, jako jsou spreje s hořlavým hnacím plynem.
11. Tento spotřebič je určen pro použití v domácnosti a podobných prostorech, jako jsou:
 - kuchyňské kouty v obchodech, kancelářích a na ostatních pracovištích;
 - spotřebiče používané hosty v hotelích, motelech a jiných obytných prostředích;
 - spotřebiče používané v podnicích zajišťujících nocleh se snídaní;
 - spotřebiče používané ve stravovacích a podobných neprodejních prostředích.
12. Tento spotřebič je určen jako volně stojící. Není určen jako zabudovaný ani připevněný.
13. Používejte tento spotřebič pouze podle pokynů uvedených v tomto návodu. Tím zajistíte bezpečné uchování potravin.
14. Aby se zabránilo kontaminaci potravin, dodržujte následující doporučení:
 - Otevření dvířek na dlouhou dobu může způsobit výrazné zvýšení teploty v prostorách spotřebiče.
 - Pravidelně čistěte povrchy, které mohou přijít do styku s potravinami, a přístupné drenážní systémy.
 - Vyčistěte vodní nádobky, pokud nebyly používány po dobu 48 hodin. Propláchněte vodní systém připojený k přívodu vody, pokud voda neprotékala po dobu 5 dnů.
 - Syrové maso a ryby ukládejte do chladničky ve vhodných obalech tak, aby nebyly v kontaktu s jinými potravinami nebo na ně nekapaly tekutiny z nich.
 - Dvouhvězdičkové mrazicí prostory jsou vhodné pro ukládání předem zmrazených potravin, uložení nebo k výrobě zmrzliny a výrobě kostek ledu.
 - Jedno, dvou a tříhvězdičkové prostory nejsou vhodné pro mražení čerstvých potravin.
 - Pokud necháváte chladicí spotřebič prázdný po dlouhou dobu, vypněte jej, odmrazte, vyčistěte, vysušte a nechte dvířka otevřená, aby se zabránilo tvorbě plísní uvnitř spotřebiče.
15. **VÝSTRAHA:** Při umístování spotřebiče se musí zajistit, aby napájecí přívod nebyl zachycen nebo poškozen.
16. **VÝSTRAHA:** Neumísťujte vícenásobné přenosné zásuvky nebo přenosné prodlužovací přívody na zadní stranu spotřebiče.
17. **VAROVÁNÍ:** Je nebezpečné pro kohokoli jiného, než je kvalifikovaný servisní technik, provádět servis nebo opravy, které zahrnují odstranění krytu. Abyste zabránili riziku úrazu elektrickým proudem, neopravujte spotřebič sami.
18. Nádoby s hořlavými plyny nebo tekutinami mohou při nízkých teplotách unikat.
19. Do prostoru mrazáku nikdy nevkládejte syčené ani perlivé nápoje, lahve ani plechovky.
20. Nanuky i zmrzlina mohou způsobit omrzliny, pokud je budete

konzumovat ihned po vyjmutí z mrazáku. Před konzumací vždy vyčkejte alespoň 5 minut.

21. Nedotýkejte se potravin v mrazáku mokřýma nebo vlhkýma rukama. Mohlo by dojít ke zranění pokožky nebo vzniku omrzlin.
22. Zajistěte, aby děti nemanipulovaly s ovládacími prvky.
23. Spotřebič je těžký. Buďte zvláště opatrní při manipulaci se spotřebičem. Doporučujeme, aby manipulaci prováděly dvě osoby.
24. Je nebezpečné jakýmkoli způsobem provádět úpravy nebo modifikace spotřebiče.
25. LED zářivku, která osvětluje vnitřní prostor chladničky, smí vyměnit pouze technik autorizovaného servisu. Nikdy nevyměňujte zářivku sami.
26. **VÝSTRAHA:** Chladicí spotřebiče – zejména lednička s mrazákem typu I – nemusí fungovat správně (může hrozit rozmrazení obsahu nebo příliš vysoké teploty v oddílu pro mražené potraviny), pokud jsou umístěny po delší dobu pod spodní hranici teplotního rozsahu, pro který je chladicí spotřebič určen.
27. **VÝSTRAHA:** U dvířek a vík, která jsou vybavena zámekem, je důležité, aby byly klíče od zámku uchovávány mimo dosah dětí v dostatečné vzdálenosti od spotřebiče, aby se děti nemohly ve spotřebiči zamknout.
28. **VÝSTRAHA:** Chladivo ve spotřebiči a izolační materiál vyžaduje zvláštní zacházení při likvidaci spotřebiče.

Elektrické zapojení

1. Tento spotřebič musí být zapojen do řádně uzemněné zásuvky o napětí 220–240 V ~ 50 Hz. Před zapojením spotřebiče do síťové zásuvky se ujistěte, že napětí v zásuvce odpovídá napětí na typovém štítku.
2. Spotřebič je určen pro použití s měničem napětí.
3. Napájecí přívod musí být veden za spotřebičem. Neměl by být odkrytý ani viset, aby se zabránilo náhodnému zranění.
4. Nikdy neodpojujte spotřebič od síťové zásuvky tahem za napájecí přívod. Vždy jej odpojujte tahem za vidlici.
5. Nepoužívejte prodlužovací kabel, mohlo by to negativně ovlivnit výkon spotřebiče. Pokud je napájecí přívod krátký, obraťte se na kvalifikovaného elektrikáře nebo servisního technika, aby instaloval síťovou zásuvku do blízkosti spotřebiče.

Klimatická třída

Informace o klimatické třídě je uvedena na typovém štítku spotřebiče. Udává informace o teplotách (teploty místnosti, ve které je spotřebič umístěn), při kterých je provoz spotřebiče optimální.

Klimatická třída	Rozsah okolní teploty
SN	Od +10 °C do 32 °C
N	Od +16 °C do 32 °C
ST	Od +16 °C do 38 °C
T	Od +16 °C do 43 °C

**Poznámka:**

Je třeba přizpůsobit nastavení provozní teploty spotřebiče v závislosti na klimatické třídě, okolní teplotě, četnosti otevírání dveří apod.

Pokud budete provozovat spotřebič v klimatické třídě, pro kterou není spotřebič určen, nemusí spotřebič fungovat správně.

Zámek

Pokud je spotřebič vybaven zámkem, uchovávejte klíč na bezpečném místě (ne v blízkosti spotřebiče) mimo dosah dětí, aby nedošlo k jejich náhodnému uvěznění uvnitř spotřebiče.

Před ekologickou likvidací spotřebiče zámek rozbijte nebo znehodnoťte, aby nebylo možné jej více používat.

Chladivo R600a

Chladivo R600a a izolační materiál cyklopentan, které se používají v chladicích zařízeních, jsou látky šetrné k životnímu prostředí, neškodí ozónové vrstvě a mají velmi malý dopad na globální oteplování. Nicméně chladivo R600a, které je obsaženo v chladicím obvodu, je hořlavé. Během přepravy, instalace nebo jiné manipulace se spotřebičem dbejte zvýšené opatrnosti, abyste nepoškodili chladicí obvod a nedošlo k úniku chladiva nebo chladicích plynů. Pokud by došlo k poškození chladicího obvodu a úniku chladiva nebo chladicích plynů, neprodleně uhasťte jakýkoli zdroj otevřeného ohně a otevřete okna.

Spotřebiče, které obsahují chladivo a chladicí plyny, musí být ekologicky a odborně zlikvidovány. Nesprávná likvidace může způsobit poranění, vznícení nebo vznik jiné nebezpečné situace. S chladivem a chladicími plyny může manipulovat pouze kvalifikovaná osoba s platnou certifikací. Před likvidací se ujistěte, že chladicí obvod není poškozený.



Přehled

- 1 Horní LED osvětlení
- 2 Držák na víno
- 3 Police lednice
- 4 Prostřední LED osvětlení
- 5 Zásuvka na ovoce/zeleninu
- 6 Zásuvka na čerstvé potraviny
- 7 Zásuvky mrazáku
- 8 Nastavitelné nohy
- 9 Dvířka lednice
- 10 Dveřní přihrádky
- 11 Dvířka mrazáku
- 12 Tvořítko na led
- 13 Tácek na vajíčka

Ovládací panel

- 14 Zobrazení teploty v lednici
- 15 Zobrazení teploty v mrazáku
- 16 Ikona ✖ (rychlé chlazení)
- 17 Ikona ❄ (rychlé mrazení)
- 18 Ikona 🏠 (prázdninový režim)
- 19 Ikona 🗝 (dětský zámek)
- 20 Tlačítko FRIDGE
- 21 Tlačítko FREEZER
- 22 Tlačítko Super Cool/Super Frz.

PŘEPRAVA

Spotřebič musí být převážen výhradně ve vzpřímené poloze. Obalový materiál slouží k ochraně spotřebiče během přepravy a musí být během přepravy neporušený.

Pokud je to nevyhnutelné a spotřebič je nutné přepravovat v horizontální poloze, musí být položen tak, aby se dřívka neotevírala, a nedošlo tak k jejich poškození. Poté musí být spotřebič umístěn do vertikální polohy. Připojení vidlice napájecího přívodu a zapnutí spotřebiče se nesmí provést alespoň 4 hodiny po uvedení do vertikální polohy, aby se ustálilo chladivo v chladicím systému. V opačném případě může dojít k nevratnému poškození spotřebiče a vzniku nebezpečné situace.

Spotřebič je těžký a doporučujeme, aby manipulaci prováděly alespoň dvě osoby. Vyvarujte se přenášení spotřebiče za horní rám, dvířka apod.

PŘÍPRAVA PŘED POUŽITÍM

Vybalení spotřebiče

Opatrně chladničku vybalte a odstraňte z ní veškeré pásky, štítky a fólie.

Výběr místa instalace

Chladnička musí být instalována na pevném a rovném povrchu v dostatečné vzdálenosti od síťové zásuvky. Neinstalujte chladničku na koberec, rohožky nebo jiný podobný materiál, to může způsobit nežádoucí vibrace a nadměrný hluk.

Spotřebič je určen pro použití v domácnosti a uvnitř budovy. Neinstalujte jej venku nebo na místě, kde by byl vystaven dešti, sněhu, vlhkosti nebo jiným špatným povětrnostním podmínkám.

V případě potřeby chladničku vyrovnejte. K vyrovnání slouží nastavitelné nohy. Jejich vyšroubováním nebo zašroubováním chladničku vyrovnáte. Je to důležité pro to, aby chladnička nezpůsobovala nežádoucí vibrace a nadměrný hluk.

Množství náplně chladiva naleznete na typovém štítku spotřebiče.

Okolo spotřebiče je třeba zajistit dostatečný volný prostor pro správnou cirkulaci vzduchu: minimálně 30 mm nad spotřebičem, více než 100 mm po jeho stranách a alespoň 50 mm za spotřebičem.

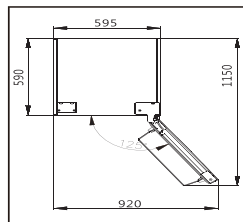
Zajistíte dostatečný volný prostor před spotřebičem, abyste mohli snadno otevřít dvířka.

Neinstalujte chladničku do blízkosti sporáku, topení nebo jiných zdrojů tepla. Zabraňte tomu, aby byla chladnička vystavena přímému slunečnímu svitu.

Chladničku neinstalujte do vlhkých nebo prašných místností.

Nikdy nezakrývejte ventilační otvory.

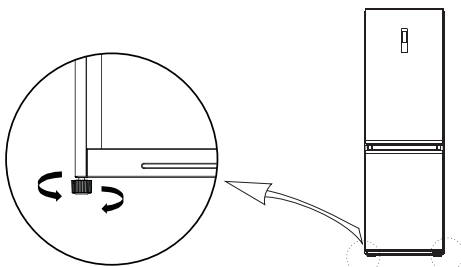
Chladnička může způsobit rušení rádiových zařízení nebo televize. Ujistěte se, že je chladnička umístěna v dostatečné vzdálenosti od těchto zařízení.



Vyrovnání lednice

Po umístění lednice na vhodné místo je nutné ji vyrovnat, abyste zajistili tichý a spolehlivý provoz, řádnou těsnost dvířek lednice a mrazáku a snadné otevírání a zavírání dvířek lednice a mrazáku.

K vyrovnání lednice slouží přední nastavitelné nohy. Otáčením po směru hodinových ručiček lednici zvedáte, otáčením proti směru hodinových ručiček ji snižujete.



Čištění před použitím

Před prvním použitím nebo pokud jste chladničku nepoužívali delší dobu, vyčistěte vnitřní prostor a veškeré police a přihrádky čistou vodou, příp. do vody přidejte trochu bílého octa. Nikdy nepoužívejte žádné čisticí prostředky, rozpouštědla, benzín apod., neboť byste mohli narušit povrchovou úpravu a chladničku nenávratně poškodit.

Doba stání

Doba stání

Po instalaci a vyčištění vyčkejte alespoň 2 hodiny před zapojením vidlice do síťové zásuvky, abyste zajistili její správný provoz. Během této doby se chladivo rovnoměrně v obvodu rozloží.

Připojení ke zdroji napájení

Vložte vidlici napájecího přívodu do řádně uzemněné síťové zásuvky. Spotřebič musí být uzemněný. Napětí uvedené na typovém štítku spotřebiče se musí shodovat s napětím ve vaší síťové zásuvce. V případě pochybností se obraťte na svého dodavatele elektrické energie nebo na kvalifikovaného elektrikáře.

POUŽITÍ

Nastavení teploty v chladničce

Stiskněte jednou tlačítko **FRIDGE**, abyste vstoupili do režimu nastavení teploty v chladničce.

Opakovaným stisknutím tlačítka **FRIDGE** nastavte teplotu v rozmezí od 2 do 8 °C. Na displeji se zobrazí nastavená hodnota. Vyčkejte asi 5 sekund, než se nastavená teplota uloží do paměti.

Teplotu nastavujte v závislosti na ročním období, teplotě v místnosti i množství vložených potravin.

Teplota uvnitř chladničky je ovlivněna okolní teplotou, četností otevírání dvířek a množstvím uložených potravin.

Pokud se ve vnitřním prostoru chladničky tvoří ledová křusta, zvyšte teplotu.



Poznámka:

Než vložíte potraviny do chladničky nebo mrazáku, nechte lednici zapnutou po dobu alespoň 2–3 hodiny (v létě 4 hodiny), aby došlo k nachlazení vnitřního prostoru.

Nastavení teploty v mrazáku


Stiskněte jednou tlačítko **FREEZER**, abyste vstoupili do režimu nastavení teploty v mrazáku.


Opakovaným stisknutím tlačítka **FREEZER** nastavte teplotu v rozmezí od -16 do -24 °C. Na displeji se zobrazí nastavená hodnota. Vyčkejte asi 5 sekund, než se nastavená teplota uloží do paměti.

Teplotu nastavujte v závislosti na ročním období, teplotě v místnosti i množství vložených potravin.

Prázdninový režim

Prázdninový režim je vhodný, pokud odjíždíte na dovolenou nebo na delší dobu mimo domov. V tomto režimu je výkon lednice snížen. Prostor chladničky je zcela vypnutý a teplota mrazáku je udržována na -18 °C.

Stiskněte a podržte tlačítko **FRIDGE** 3 sekundy, dokud se na displeji nerozsvítí ikona prázdninového režimu . Lednice se přepne do prázdninového režimu.

Pokud potřebujete prázdninový režim zrušit, stiskněte a podržte tlačítko **FRIDGE** 3 sekundy, dokud ikona prázdninového režimu  nezhasne. Obnoví původní teplota chladničky i mrazáku.

Prázdninový režim můžete zrušit i nastavením teploty chladničky (tlačítko **FRIDGE**), nastavením teploty mrazáku (tlačítko **FREEZE**) nebo stisknutím tlačítka **Super Cool/Super Frz.**

Funkce rychlého chlazení

Funkce rychlého chlazení slouží k rychlému vychlazení vnitřního prostoru chladničky. Stiskněte opakovaně tlačítko **Super Cool/Super Frz.**, dokud se na displeji nerozsvítí

ikona ✱. Automaticky se nastaví teplota chladničky na 2 °C.

Chladnička zůstane v režimu rychlého chlazení po dobu maximálně 6 hodin, poté se režim vypne a obnoví se původní teplota chladničky.

Pokud potřebujete funkci rychlého chlazení zrušit, stiskněte opakovaně tlačítko **Super Cool/Super Frz.**, dokud ikona ✱ nezhasne.

Funkce rychlého mrazení

Funkce rychlého mrazení slouží k rychlému vychlazení vnitřního prostoru mrazáku.

Rychlé mrazení je vhodné, pokud budete potřebovat zamrazit větší množství čerstvých potravin.

Stiskněte opakovaně tlačítko **Super Cool/Super Frz.**, dokud se na displeji nerozsvítí ikona ✱. Automaticky se nastaví teplota mrazáku na -24 °C.

Chladnička zůstane v režimu rychlého mrazení po dobu maximálně 24 hodin, poté se režim vypne a obnoví se původní teplota mrazáku.


Teplotu mrazáku není možné měnit, proto tlačítko **FREEZER** nebude aktivní.

Pokud potřebujete funkci rychlého chlazení zrušit, stiskněte opakovaně tlačítko **Super Cool/Super Frz.**, dokud ikona ✱ nezhasne.

Dětský zámek

Dětský zámek umožňuje uzamknout ovládací panel, aby nebylo možné náhodně změnit nastavení spotřebiče.

Stiskněte a podržte tlačítko **Super Cool/Super Frz.** 3 sekundy, abyste dětský zámek aktivovali. Zazní zvukové upozornění a na displeji se rozsvítí ikona dětského zámku .

Pro zrušení dětského zámku stiskněte a podržte tlačítko **Super Cool/Super Frz.** 3 sekundy. Zazní zvukové upozornění a na displeji ikona dětského zámku  zhasne.



Poznámka:

Ovládací panel se automaticky zamkne po 30 sekundách nečinnosti.

Abyste jej odemkli, stiskněte a podržte tlačítko **Super Cool/Super Frz.** 3 sekundy. Každé stisknutí tlačítka je doprovázeno zvukovým signálem.

Ovládací panel a displej

V běžném provozním režimu se v horní části displeje zobrazuje teplota v chladničce a v dolní části displeje teplota v mrazáku. Po prvním zapnutí lednice je nastavena výchozí teplota 5 °C pro chladničku a -18 °C pro mrazák.

Ovládací panel bude naplno rozsvícen po dobu 3 sekund po prvním zapnutí. Poté se přepne na zobrazení v běžném provozu.

Ovládací panel se automaticky zamkne po 30 sekundách nečinnosti a displej zhasne 30 sekund po zamčení ovládacího panelu. Teploty v chladničce a v mrazáku však zůstanou zobrazeny.

Upozornění na otevřená dvířka

Pokud jsou dvířka lednice otevřená déle než 120 sekund, zazní upozornění. To se bude v pravidelných intervalech opakovat, dokud dvířka nezavřete.

Skladování potravin

Studený vzduch cirkuluje v celém prostoru chladničky, a teplota je tak v různých částech chladničky odlišná, a proto by různé druhy potravin měly být umístěny na různých místech.

Potravinu ukládejte do chladničky v původním obalu nebo ve vzduchotěsných nádobách, aby se zabránilo vzniku nepříjemného zápachu nebo případné kontaminaci.

V prostoru chladničky skladujte čerstvé potraviny, jako jsou vařená jídla, nápoje, vejce, mléčné výrobky apod. V zásuvce skladujte zeleninu a ovoce. V prostoru mrazáku skla-

dujte zmrzlinu, mražená jídla a potraviny apod.

Umístění potravin v chladničce

Příhrádky ve dveřích	Nápoje, džemy, dochucovadla (např. hořčice)
Zásuvka na ovoce/zeleninu	Ovoce, zelenina, bylinky, které jsou určeny ke skladování v chladničce
Zásuvka na čerstvé potraviny	Syrové maso, drůbež, ryby (krátkodobé skladování)
Spodní police	Mléčné výrobky, vejce
Prostřední a horní police	Potraviny, které nevyžadují tepelnou úpravu; uzeniny, hotová jídla apod.
Zásuvky mrazáku	Potraviny vhodné k dlouhodobému skladování. Spodní zásuvka: syrové maso, drůbež nebo ryby Prostřední zásuvka: mražená zelenina, hranolky Horní zásuvky: zmrzlina, mražené ovoce, mražené pečivo

Tvořítko na led: Naplňte tvořítko na led čistou, pitnou vodou a vložte jej do mrazicího prostoru.

Při nákupu potravin:

- Abyste zabránili plýtvání, vytvořte si nákupní seznam a nakupujte pouze přiměřené množství.
- Kontrolujte vždy datum spotřeby uvedené na obale.
- Kontrolujte stav obalu, neměl by být poškozený.
- Zvláště u ovoce a zeleniny kontrolujte vzhled a vůni. Nakupujte pouze ovoce a zeleninu bez vady.
- Mražené potraviny vkládejte do nákupního košíku jako poslední a použijte speciální tašky pro jejich převoz.
- Při nákupu balených potravin vždy zkontrolujte, zda je obal neporušený.
- Dodržujte maximální množství potravin, které je možné zamrazit během 24 hodin. Tento údaj je uvedený na typovém štítku. Během této doby otevírejte dvířka mrazáku co nejméně.
- Před vložením zmrazených nebo čerstvých potravin, které jsou určeny k zamrazení, se vždy ujistěte, že je vnitřní prostor dostatečně vychlazený, a to zvláště pokud budete skladovat již zmrazené potraviny. V opačném případě by mohlo dojít k jejich rozmrazení.
- Před zamrazením nechte horké potraviny zcela vychladnout.
- Čerstvé potraviny zabalte do sáčků pro jejich správné uchování. Označte si je názvem, hmotností a datem. Sáčky by měly být před vložením do mrazáku suché.

Při skladování potravin:

- Pravidelně kontrolujte stav skladovaných potravin a včas je zkonsumujte.
- Potraviny, které pravidelně konzumujete nebo používáte, umístěte dopředu. Zkrátíte tím dobu, po kterou jsou dvířka otevřená.
- Rozmrazené nebo částečně rozmrazené potraviny již znovu nezamrazujte.
- Rozmrazené maso tepelně zpracujte.
- V chladničce neskladujte příliš mnoho potravin. Zajistěte okolo potravin volný prostor, aby mohl studený vzduch volně proudit.

- Teplé potraviny nechte před jejich vložením do chladničky vychladnout.
- Neotevírejte dvířka chladničky příliš často.
- Skladujte v chladničce pouze ty potraviny, které jsou určeny ke skladování v chladničce. Některé potraviny, zvláště ovoce nebo zelenina, nevyžadují skladování v chladničce.
- Potraviny ukládejte do mrazáku v původním obalu nebo ve vzduchotěsných nádobách, aby se zabránilo vzniku nepříjemného zápachu nebo případné kontaminaci.
- Při ukládání potravin do mrazicího prostoru dodržujte vzdálenost od vnitřní stěny. Potraviny bohaté na vodu neumísťte příliš blízko k zadní stěně, aby nedošlo k jejich přimrznutí.
- Nevkládejte do mrazáku skleněné dózy naplněné tekutinou ani nápoje v plechovkách. Hrozí jejich poškození, neboť tekutina při mražení nabývá na svém objemu.

ČIŠTĚNÍ A ÚDRŽBA

Udržujte chladničku čistou. Zbytky jídel nebo potravin mohou v chladničce způsobit nepříjemný zápach. Doporučujeme police, zásuvku a přihrádky čistit alespoň jednou za měsíc.

Běžná údržba

Z prostoru chladničky, s výjimkou mrazáku, vyjměte všechny potraviny a poté police, zásuvku a přihrádky. Omyjte tyto části v teplé vodě s trochou kuchyňského saponátu, opláchněte a otřete dosucha.

Vnitřní prostor chladničky otřete čistou utěrkou mírně navlhčenou v čisté a vlažné vodě. Otřete dosucha.

Otřete těsnění okolo dvířek chladničky měkkou utěrkou mírně navlhčenou v teplé vodě.

Vnější povrch chladničky otřete měkkou utěrkou mírně navlhčenou v teplé vodě s trochou kuchyňského saponátu.

Odstraňte prach ze zadní stěny chladničky. Můžete použít vysavač s nasazenou kartáčovou hubicí a nastaveným nízkým výkonem.



Varování:

K čištění nepoužívejte hrubé čisticí prostředky, alkalické prostředky, rozpouštědla, benzín atd. Používejte pouze měkkou houbičku nebo utěrku. Nepoužívejte drátěnky ani jiné materiály, které by mohly způsobit poškrábání povrchu.

Odmrazování

Lednice je vybavena systémem No-Frost, který zajišťuje její automatické odmrazování. Není proto nutné mrazák ručně odmrazovat.



Varování:

Nikdy neponořujte spotřebič, napájecí přívod ani vidlici od vody ani jiné tekutiny.

Výměna osvětlení

LED zářivku, která osvětluje vnitřní prostor chladničky, smí vyměnit pouze technik autorizovaného servisu. Nikdy nevyměňujte zářivku sami. Obratě se na autorizovaný

servis. Tento výrobek obsahuje světelný zdroj s třídou energetické účinnosti G.

Vypnutí chladničky na delší dobu

Pokud nebudete chladničku delší dobu používat, odpojte vidlici od síťové zásuvky.

Vyčistěte vnitřní prostor, včetně mrazáku, podle pokynů výše.

Nechte dvířka otevřená, aby nedošlo k tvorbě nežádoucího zápachu.

ŘEŠENÍ PROBLÉMŮ

Problém	Příčina	Řešení
Chladnička nechladí.	Vidlice není zapojena v síťové zásuvce nebo je špatně zapojena.	Zapojte správně vidlici do síťové zásuvky.
	Napětí v síťové zásuvce je nízké.	Obratě se na kvalifikovaného elektrikáře nebo dodavatele elektrické energie.
	Jistič je spadlý nebo je vyhořelá pojistka.	Zkontrolujte jistič a pojistky.
Ve vnitřním prostoru je nepříjemný zápach.	Potraviny se silným aromatem nejsou správně zabaleny.	Potraviny se silným aromatem řádně zabalte nebo vložte do vzduchotěsné nádoby.
	V chladničce je zkažená potravina.	Vyhodte zkaženou potravinu.
	Vnitřní prostor je znečištěný.	Vyčistěte vnitřní prostor.
Kompresor je stále v provozu.	V horkých dnech je běžné, že je kompresor stále v provozu. Jedná se o normální jev.	
	V lednici je příliš mnoho potravin.	Lednici nadměrně nepřepĺňujte.
	Vložili jste horké potraviny.	Potraviny vkládejte do vnitřního prostoru vychladlé na pokojovou teplotu.
	Dvířka se často otevírají.	Otvírejte dvířka méně často a jen na nezbytně dlouhou dobu.
Vnitřní osvětlení se nerozsvítí.	Lednice není zapnutá.	Zapněte lednici.
	Zářivka je rozbitá.	Nechte žárovku vyměnit.

Problém	Příčina	Řešení
Dvířka není možné zavřít.	Vložené potraviny brání v zavření dvířek.	Přeskládejte potraviny tak, aby bylo možné dvířka zavřít.
	Lednice není vyrovnaná.	Vyrovnejte lednici.
Těsnění dvířek netěsní.	Těsnění je špinavé.	Odstraňte nečistoty z těsnění.
	Těsnění je zdeformované.	Opatrně nahřejte těsnění a poté zchladte, aby mohli obnovit jeho původní tvar. Použijte horký ručník nebo vysoušeč vlasů k nahřátí těsnění.
Pod lednicí je voda.	Ve vnitřním prostoru je příliš mnoho potravin nebo potraviny obsahují mnoho vody, což způsobuje čtenější odmrazování.	Snižte množství potravin uvnitř lednice. Potraviny, které nevyžadují skladování v lednici, vyjměte.
	Dvířka nejsou správně zavřená.	Zavřete dvířka.
Vnější povrch lednice je horký.	Nadbytečné teplo je odváděno přes vnější povrch lednice. Jedná se o normální jev. Pokud se vnější povrch zahřívá z důvodu vysoké okolní teploty nebo velkého množství skladovaných potravin v lednici, doporučujeme zajistit adekvátní ventilaci, která pomůže odvést teplo z vnějšího povrchu.	
Na vnějším povrchu kondenzuje voda.	Okolní vzdušná vlhkost je vysoká.	Otřete vnější povrch lednice čistou utěrkou a snižte vzdušnou vlhkost v místnosti.
Chladnička vydává nezvyklý hluk.	Bzučivý zvuk: Kompresor může vydávat bzučivý zvuk během provozu. Zvuk může být silnější při spouštění nebo vypínání kompresoru. Jedná se o normální jev. Skřípot: Pohyb chladiva ve vnitřním okruhu může způsobovat skřípavý zvuk. Jedná se o normální jev.	

Pokud problém není uveden v tabulce výše nebo se problém nepodařilo vyřešit, vypněte spotřebič, odpojte zástrčku přívodního kabelu od síťové zásuvky a obraťte se na autorizované servisní středisko.

Chybová hlášení

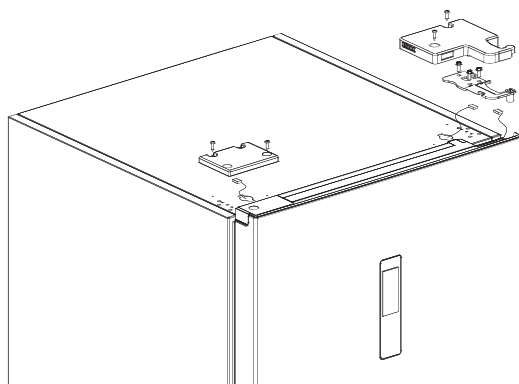
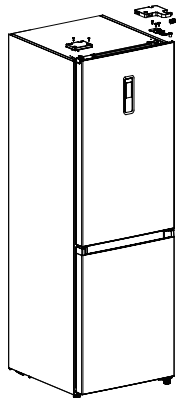
Níže uvedená chybová hlášení se mohou zobrazit na displeji a označují konkrétní závady lednice. Obrat'te se na autorizovaný servis, pokud se vyskytne některé z chybových hlášení.

Chybové hlášení	Význam
E1	Závada na teplotním senzoru prostoru chladničky

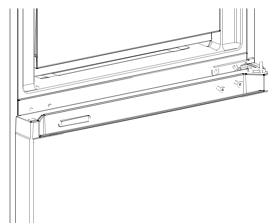
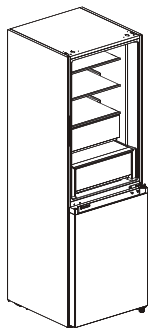
Chybové hlášení	Význam
E2	Závada na teplotním senzoru prostoru mrazáku
E3	Závada na teplotním senzoru zásuvky na čerstvé potraviny
E5	Závada na detekčním obvodu snímače odmrazování
E6	Porucha komunikace
E7	Závada na senzoru okolní teploty

OTOČENÍ SMĚRU OTEVÍRÁNÍ DVÍŘEK

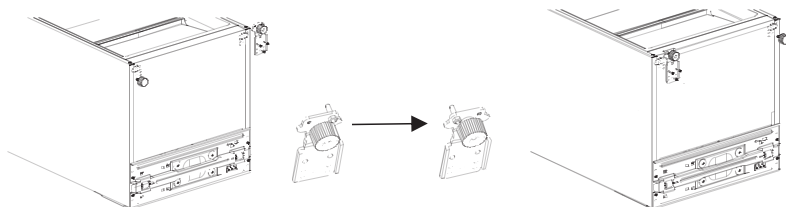
1. Ujistěte se, že je vidlice napájecího přívodu odpojena od síťové zásuvky. Připravte si potřebné nářadí (křížový šroubovák, plochý šroubovák, ráčna nebo maskovací pásku).
2. Vyměňte potraviny z dveřních přihrádek a vyjměte dveřní přihrádky.
3. Odstraňte ozdobný kryt levého horního závěsu, kryt pravého horního závěsu a pravý horní závěs a odpojte svorky vedení dveřního spínače.



4. Opatrně odstraňte dvířka chladničky. Uložte stranou na měkkou podložku. Dávejte pozor, abyste neztratili malé části, jako je pouzdro hřídele a zarážka na dveřích.
5. Uvolněte a vyjměte středový závěs. Odstaňte ozdobné krytky levého středového závěsu a umístěte je na pravou stranu.

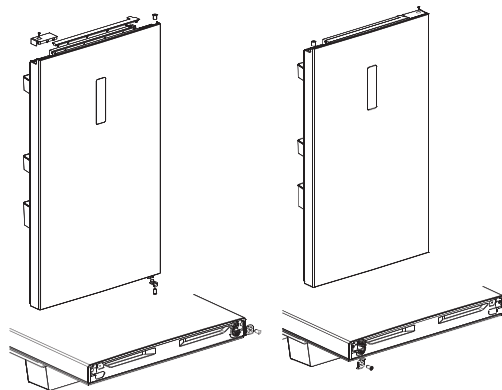


6. Opatrně odstraňte dvířka mrazáku. Uložte stranou na měkkou podložku. Dávejte pozor, abyste neztratili malé části, jako je pouzdro hřídele a zarážka na dveřích.
7. Uvolněte a vyjměte spodní závěs a levou nastavitelnou nohu. Přesuňte čep spodního závěsu na druhou stranu a našroubujte spodní závěs na levou stranu. Našroubujte nastavitelnou nohu na druhou stranu.



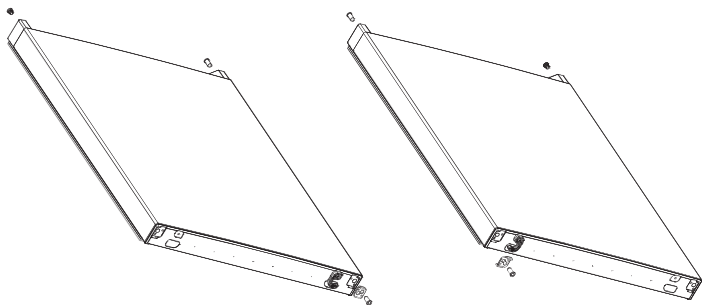
8. Příprava dvířek chladničky:

- Odstraňte krycí desku horního koncového krytu dvířek chladničky a levý ozdobný kryt. Namontujte horní pouzdro hřídele a svorku vedení dveřního spínače na druhou stranu a zakryjte horním koncovým krytem. Vyjměte pravý ozdobný kryt ze sáčku s příslušenstvím a nainstalujte jej na druhou stranu horního koncového krytu.
- Odstraňte samozamykací systém dvířek, zarážku dvířek a pouzdro hřídele dvířek chladničky. Vyjměte levý samozamykací systém dvířka ze sáčku s příslušenstvím a nainstalujte jej na levou stranu spodního koncového krytu dvířek chladničky. Přemístěte zarážku dvířek a pouzdro hřídele na levou stranu spodního koncového krytu dvířek chladničky.

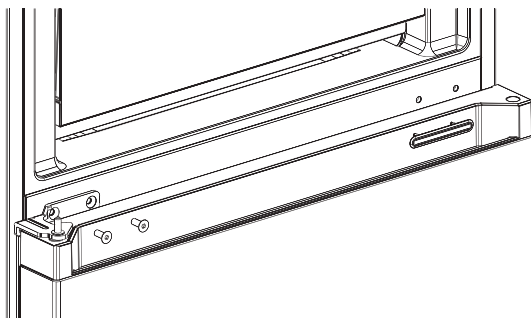


9. Příprava dvířek mrazáku:

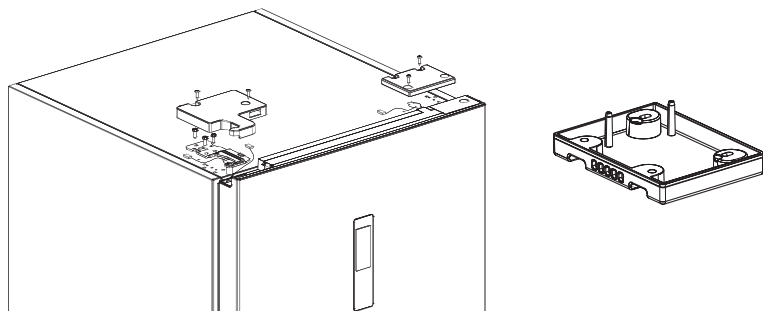
- Vyjměte pouzdro hřídele a krytku horního koncového krytu dvířek mrazáku a nainstalujte je na opačné strany, než původně byly.
- Odstraňte samozamykací systém dvířek a pouzdro hřídele dvířek mrazáku. Vyjměte levý samozamykací systém dvířek ze sáčku s příslušenstvím a nainstalujte jej na levou stranu spodního koncového krytu dvířek mrazáku. Přemístěte zarážku dvířek a pouzdro hřídele na levou stranu spodního koncového krytu dvířek mrazáku.



10. Nasadte dvířka mrazáku na spodní závěs, vyrovnejte je a našroubujte středový závěs. Ujistěte se, že dvířka dobře doléhají a těsní, než dotáhnete šrouby středového závěsu. Do volných otvorů středového závěsu vložte ozdobné krytky.



11. Vyjměte kryt levého horního závěsu a levý horní závěs ze sáčku s příslušenstvím.
 12. Nasadte dvířka chladničky na středový závěs, vyrovnejte je a našroubujte horní závěs. Ujistěte se, že dvířka dobře doléhají a těsní, než dotáhnete šrouby horního závěsu. Připojte svorky vedení dveřního spínače. Nasadte ozdobný kryt závěsu na pravou stranu (při výměně ozdobného krytu závěsu na pravou stranu se musí odříznout dva hroty) a nasadte kryt horního závěsu.



Informační list výrobku

NAŘÍZENÍ KOMISE V PŘENESENÉ PRÁVOMOCI (EU) 2019/2016 o uvádění spotřeby energie na energetických štítcích chladicích spotřebičů

Název nebo ochranná známka dodavatele: Siguro

Adresa dodavatele: PL - SIGURO, Jankovcova 1522/53 17000 Praha Holešovice Česká republika

Identifikační značka modelu: SGR-BF-A241S

Typ chladicího spotřebiče:

Nízkoohlučný spotřebič:	Ne	Konstrukční typ:	volně stojící
Spotřebič pro uchovávání vína:	Ne	Jiný chladicí spotřebič:	Ano

Obecné parametry výrobku:

Parametr	Hodnota	Parametr	Hodnota
Celkové rozměry (v mm)	Výška	Celkový objem (v dm ³ nebo l)	378
	Šířka		
	Hloubka		
EI	41	Třída energetické účinnosti	A
Úroveň emisí hluku šířeného vzduchem (v dB(A) re 1 pW)	29	Třída emisí hluku šířeného vzduchem	A
Roční spotřeba energie (v kWh/rok)	113	Klimatická třída:	rozšířené mírné pásmo, mírné pásmo, subtropické pásmo, tropické pásmo
Minimální teplota okolí (ve °C), pro kterou je chladicí spotřebič vhodný	10	Maximální teplota okolí (ve °C), pro kterou je chladicí spotřebič vhodný	43
Zimní nastavení	Ne		

Parametry prostorů:

Typ prostoru	Parametry a hodnoty prostorů			
	Objem prostoru (v dm ³ nebo l)	Doporučené nastavení teploty pro optimalizované uchování potravin (ve °C) Tato nastavení nesmějí být v rozporu s podmínkami uchovávání stanovenými	Mrazicí výkon (v kg/24h)	Defrosting type (auto-defrost=A, manual defrost=M)

			mi v příloze IV tabulce 3		
Spíž	Ne	-	-	-	-
Uchovávání vína	Ne	-	-	-	-
S mírnou teplotou	Ne	-	-	-	-
Čerstvé potraviny	Ano	216,0	4	-	A
Zchlazovací	Ano	40,0	2	-	A
Bez označení hvězdičkou nebo pro výrobu ledu	Ne	-	-	-	-
Označený jednou hvězdičkou	Ne	-	-	-	-
Označený dvěma hvězdičkami	Ne	-	-	-	-
Označený třemi hvězdičkami	Ne	-	-	-	-
Označený čtyřmi hvězdičkami	Ano	122,0	-18	8,5	A
Oddíl označený dvěma hvězdičkami	Ne	-	-	-	-
Prostor s nastavitelnou teplotou	-	-	-	-	-
Pro prostory označené čtyřmi hvězdičkami					
Funkce rychlého zmrazení			Ano		
Parametry zdroje světla:					
Typ zdroje světla			LED		
Třída energetické účinnosti			G		
Minimální doba trvání záruky nabízená výrobcem: 36 měsíců					
Další informace:					
Odkaz na internetové stránky výrobce, kde lze nalézt informace podle bodu 4 písm. a) přílohy nařízení Komise (EU) 2019/2019: www.siguro.cz					

Model placed on the Union market from 01/08/2024.



EPREL registration number: 2012521

<https://eprel.ec.europa.eu/qr/2012521>

Supplier: Alza.cz a.s. (Manufacturer)

Website: www.alza.cz

Customer care service:

Name: PL - SIGURO

Website: www.siguro.cz

Email: siguro@alza.cz

Phone: 225 340 111

Address:

Jankovcova 1522/53 17000 Praha Holešovice Česká republika

Informační list výrobku

NAŘÍZENÍ KOMISE V PŘENESENÉ PRÁVOMOCI (EU) 2019/2016 o uvádění spotřeby energie na energetických štítcích chladicích spotřebičů

Název nebo ochranná známka dodavatele: Siguro

Adresa dodavatele: PL - SIGURO, Jankovcova 1522/53 17000 Praha Holešovice Česká republika

Identifikační značka modelu: SGR-BF-A241Y

Typ chladicího spotřebiče:

Nízkohlučný spotřebič:	Ne	Konstrukční typ:	volně stojící
Spotřebič pro uchovávání vína:	Ne	Jiný chladicí spotřebič:	Ano

Obecné parametry výrobku:

Parametr	Hodnota	Parametr	Hodnota
Celkové rozměry (v mm)	Výška	Celkový objem (v dm ³ nebo l)	378
	Šířka		
	Hloubka		
EEI	41	Třída energetické účinnosti	A
Úroveň emisí hluku šířeného vzduchem (v dB(A) re 1 pW)	29	Třída emisí hluku šířeného vzduchem	A
Roční spotřeba energie (v kWh/rok)	113	Klimatická třída:	rozšířené mírné pásmo, mírné pásmo, subtropické pásmo, tropické pásmo
Minimální teplota okolí (ve °C), pro kterou je chladicí spotřebič vhodný	10	Maximální teplota okolí (ve °C), pro kterou je chladicí spotřebič vhodný	43
Zimní nastavení	Ne		

Parametry prostorů:

Typ prostoru	Parametry a hodnoty prostorů			
	Objem prostoru (v dm ³ nebo l)	Doporučené nastavení teploty pro optimalizované uchovávání potravin (ve °C) Tato nastavení nesmějí být v rozporu s podmínkami uchovávání stanovenými	Mrazicí výkon (v kg/24h)	Defrosting type (auto-defrost=A, manual defrost=M)

			mi v příloze IV tabulce 3		
Spíž	Ne	-	-	-	-
Uchovávání vína	Ne	-	-	-	-
S mírnou teplotou	Ne	-	-	-	-
Čerstvé potraviny	Ano	216,0	4	-	A
Zchlazovací	Ano	40,0	2	-	A
Bez označení hvězdičkou nebo pro výrobu ledu	Ne	-	-	-	-
Označený jednou hvězdičkou	Ne	-	-	-	-
Označený dvěma hvězdičkami	Ne	-	-	-	-
Označený třemi hvězdičkami	Ne	-	-	-	-
Označený čtyřmi hvězdičkami	Ano	122,0	-18	8,5	A
Oddíl označený dvěma hvězdičkami	Ne	-	-	-	-
Prostor s nastavitelnou teplotou	-	-	-	-	-
Pro prostory označené čtyřmi hvězdičkami					
Funkce rychlého zmrazení			Ano		
Parametry zdroje světla:					
Typ zdroje světla			LED		
Třída energetické účinnosti			G		
Minimální doba trvání záruky nabízená výrobcem: 36 měsíců					
Další informace:					
Odkaz na internetové stránky výrobce, kde lze nalézt informace podle bodu 4 písm. a) přílohy nařízení Komise (EU) 2019/2019: www.siguro.cz					

Model placed on the Union market from 01/08/2024.



EPREL registration number: 2012521

<https://eprel.ec.europa.eu/qr/2012521>

Supplier: Alza.cz a.s. (Manufacturer)

Website: www.alza.cz

Customer care service:

Name: PL - SIGURO

Website: www.siguro.cz

Email: siguro@alza.cz

Phone: 225 340 111

Address:

Jankovcova 1522/53 17000 Praha Holešovice Česká republika

Ďakujeme, že ste si kúpili spotrebič značky SIGURO. Sme vďační za vašu dôveru a je nám radosťou predstaviť vám prístroj na ďalších stránkach a oboznámiť vás so všetkými jeho funkciami a spôsobmi použitia.

Veríme v spravodlivú a zodpovednú spoločnosť, a preto spolupracujeme iba s dodávateľmi, ktorí spĺňajú naše prísne kritériá na ochranu záujmu zamestnancov, prevenciu ich zneužívania a férové pracovné podmienky.

Ak potrebujete pomôcť s rozsiahlou údržbou alebo opravou výrobku, ktorá vyžaduje zásah do jeho vnútorných častí, je vám k dispozícii náš autorizovaný servis na e-mailovej adrese siguro@alza.cz alebo operátori na infolinke predajcu. Pre vaše pohodlie pri riešení akýchkoľvek problémov s výrobkom sme tieto kontaktné miesta zjednotili a vyššie uvedené kontakty je možné využiť aj v prípade všetkých reklamácií alebo pozáručného servisu.

BEZPEČNOSTNÉ INFORMÁCIE



Pred použitím si, prosím, pozorne prečítajte tento manuál a uschovajte ho na budúce použitie.

1. Tento spotrebič môžu používať deti vo veku 8 rokov a staršie a osoby so zníženými fyzickými, zmyslovými alebo mentálnymi schopnosťami alebo nedostatkom skúseností a znalostí, ak sú pod dozorom alebo boli poučené o používaní spotrebiča bezpečným spôsobom a rozumejú prípadným nebezpečenstvám.
2. Deti sa so spotrebičom nesmú hrať.
3. Čistenie a údržbu vykonávanú používateľom nesmú vykonávať deti bez dozoru.
4. Ak je napájací prívod poškodený, musí ho nahradiť výrobca, jeho servisný technik alebo podobne kvalifikovaná osoba, aby sa zabránilo vzniku nebezpečnej situácie.



UPOZORNENIE: NEBEZPEČENSTVO OHŇA!

5. Deti vo veku 3 až 8 rokov môžu vkladat a vyberať potraviny zo spotrebiča.
6. **VÝSTRAHA:** Vetracie otvory v kryte spotrebiča alebo v jeho konštrukcii je nutné udržiavať voľné.
7. **VÝSTRAHA:** Na urýchlenie odmrazovacieho procesu nepoužívajte žiadne mechanické zariadenia alebo iné prostriedky než tie, ktoré výrobca odporúča.
8. **VÝSTRAHA:** Nepoškodzuje chladiaci obvod.

9. **VÝSTRAHA:** Nepoužívajte elektrické spotrebiče v priestore na uchovanie potravín, ak nejde o typy odporúčané výrobcom.
10. V tomto spotrebiči neukladajte výbušné látky, ako sú spreje s horľavým hnacím plynom.
11. Tento spotrebič je určený na použitie v domácnosti a podobných priestoroch, ako sú:
 - kuchynské kúty v obchodoch, kanceláriách a na ostatných pracoviskách;
 - spotrebiče používané hosťami v hoteloch, motelloch a iných obytných prostrediach;
 - spotrebiče používané v podnikoch zaistujúcich nocľah s raňajkami;
 - spotrebiče používané v stravovacích a podobných nepredajných prostrediach.
12. Tento spotrebič je určený ako voľne stojaci. Nie je určený ako zabudovaný ani pripravený.
13. Používajte tento spotrebič iba podľa pokynov uvedených v tomto návode. Tým zaistíte bezpečné uchovanie potravín.
14. Aby sa zabránilo kontaminácii potravín, dodržujte nasledujúce odporúčania:
 - Otvorenie dvierok na dlhý čas môže spôsobiť výrazné zvýšenie teploty v priestoroch spotrebiča.
 - Pravidelne čistite povrchy, ktoré môžu prísť do styku s potravinami, a prístupné drenážne systémy.
 - Vyčistite vodné nádoby, ak sa nepoužívali 48 hodín. Prepláchnite vodný systém pripojený k prívodu vody, ak voda nepretekala 5 dní.
 - Surové mäso a ryby ukladajte do chladničky vo vhodných obaloch tak, aby neboli v kontakte s inými potravinami alebo na ne nekvapkali tekutiny z nich.
 - Dvojhviezdičkové mraziace priestory sú vhodné na ukladanie vopred zmrazených potravín, uloženie alebo na výrobu zmrzliny a výrobu kociek ľadu.
 - Jedno-, dvoj- a trojhviezdičkové priestory nie sú vhodné na mrazenie čerstvých potravín.
 - Ak nechávate chladiaci spotrebič prázdny dlhý čas, vypnite ho, odmrazte, vyčistite, vysušte a nechajte dvierka otvorené, aby sa zabránilo tvorbe plesní vnútri spotrebiča.
15. **VÝSTRAHA:** Pri umiestňovaní spotrebiča sa musí zaistiť, aby napájací prívod nebol zachytený alebo poškodený.
16. **VÝSTRAHA:** Neumiestňujte viacnásobné prenosné zásuvky alebo prenosné predlžovacie prívody na zadnú stranu spotrebiča.
17. **VAROVANIE:** Je nebezpečné pre kohokoľvek iného, než je kvalifikovaný servisný technik, vykonávať servis alebo opravy, ktoré zahŕňajú odstránenie krytu. Aby ste zabránili riziku úrazu elektrickým prúdom, neopravujte spotrebič sami.
18. Nádoby s horľavými plynmi alebo tekutinami môžu pri nízkych teplotách unikať.
19. Do priestoru mrazničky nikdy nekladajte sýtené ani perlivé nápoje, fľaše ani plechovky.

20. Nanuky aj zmrzlina môžu spôsobiť omrzliny, ak ich budete konzumovať ihneď po vybratí z mrazničky. Pred konzumáciou vždy vyčkejte aspoň 5 minút.
21. Nedotýkajte sa potravín v mrazničke mokrými alebo vlhkými rukami. Mohlo by dôjsť k zraneniu pokožky alebo vzniku omrzlín.
22. Zaisťte, aby deti nemanipulovali s ovládacími prvkami.
23. Spotrebič je ťažký. Buďte obzvlášť opatrní pri manipulácii so spotrebičom. Odporúčame, aby manipuláciu vykonávali dve osoby.
24. Je nebezpečné akýmkoľvek spôsobom vykonávať úpravy alebo modifikácie spotrebiča.
25. LED žiarivku, ktorá osvetľuje vnútorný priestor chladničky, smie vymeniť iba technik autorizovaného servisu. Nikdy nevymieňajte žiarivku sami.
26. **VÝSTRAHA:** Chladiace spotrebiče – najmä chladnička s mrazničkou typu I – nemusia fungovať správne (môže hroziť rozmrazenie obsahu alebo príliš vysoké teploty v oddiele pre mrazené potraviny), ak sú umiestnené na dlhší čas pod spodnou hranicou teplotného rozsahu, pre ktorý je chladiaci spotrebič určený.
27. **VÝSTRAHA:** Pri dvierkach a vekách, ktoré sú vybavené zámkou, je dôležité, aby sa kľúče od zámky uchovávali mimo dosahu detí v dostatočnej vzdialenosti od spotrebiča, aby sa deti nemohli v spotrebiči zamknúť.
28. **VÝSTRAHA:** Chladiivo v spotrebiči a izolačný materiál vyžaduje zvláštne zaobchádzanie pri likvidácii spotrebiča.

Elektrické zapojenie

1. Tento spotrebič musí byť zapojený do riadne uzemnenej zásuvky s napätím 220 – 240 V ~ 50 Hz. Pred zapojením spotrebiča do sieťovej zásuvky sa uistite, že napätie v zásuvke zodpovedá napätiu na typovom štítku.
2. Spotrebič je určený na použitie s meničom napätia.
3. Napájací prívod sa musí viesť za spotrebičom. Nemal by byť odkrytý ani visieť, aby sa zabránilo náhodnému zraneniu.
4. Nikdy neodpájajte spotrebič od sieťovej zásuvky ťahom za napájací prívod. Vždy ho odpájajte ťahom za vidlicu.
5. Nepoužívajte predlžovací kábel, mohlo by to negatívne ovplyvniť výkon spotrebiča. Ak je napájací prívod krátky, obráťte sa na kvalifikovaného elektrikára alebo servisného technika, aby inštaloval sieťovú zásuvku do blízkosti spotrebiča.

Klimatická trieda

Informácia o klimatickej triede je uvedená na typovom štítku spotrebiča. Udáva informácie o teplotách (teploty miestnosti, v ktorej je spotrebič umiestnený), pri ktorých je prevádzka spotrebiča optimálna.

Klimatická trieda	Rozsah okolitej teploty
SN	Od +10 °C do 32 °C
N	Od +16 °C do 32 °C

ST	Od +16 °C do 38 °C
T	Od +16 °C do 43 °C



Poznámka:

Je potrebné prispôsobiť nastavenie prevádzkovej teploty spotrebiča v závislosti od klimatickej triedy, okolitej teploty, častosti otvárania dverí a pod. Ak budete prevádzkovať spotrebič v klimatickej triede, pre ktorú nie je spotrebič určený, nemusí spotrebič fungovať správne.

Zámok

Ak je spotrebič vybavený zámkom, uchovávajte kľúč na bezpečnom mieste (nie v blízkosti spotrebiča) mimo dosahu detí, aby nedošlo k ich náhodnému uväzneniu vnútri spotrebiča.

Pred ekologickou likvidáciou spotrebiča zámku poškodte alebo znehodnotte, aby nebolo možné ju viac používať.

Chladivo R600a

Chladivo R600a a izolačný materiál cyklopentán, ktoré sa používajú v chladiacich zariadeniach, sú látky šetrné k životnému prostrediu, neškodia ozónovej vrstve a majú veľmi malý dopad na globálne otepľovanie. Chladivo R600a, ktoré sa nachádza v chladiacom obvode, je horľavé. Počas prepravy, inštalácie alebo inej manipulácie so spotrebičom dbajte na zvýšenú opatrnosť, aby ste nepoškodili chladiaci obvod a nedošlo k úniku chladiva alebo chladiacich plynov. Ak by došlo k poškodeniu chladiaceho obvodu a úniku chladiva alebo chladiacich plynov, bezodkladne uhasťe akýkoľvek zdroj otvoreného ohňa a otvorte okná.

Spotrebiče, ktoré obsahujú chladivo a chladiace plyny, sa musia ekologicky a odborne zlikvidovať. Nesprávna likvidácia môže spôsobiť poranenie, vznietenie alebo vznik inej nebezpečnej situácie. S chladivom a chladiacimi plynmi môže manipulovať iba kvalifikovaná osoba s platnou certifikáciou. Pred likvidáciou sa uistite, že chladiaci obvod nie je poškodený.



Prehľad

- 1 Horné LED osvetlenie
- 2 Držiak na víno
- 3 Police chladničky
- 4 Prostredné LED osvetlenie
- 5 Zásuvka na ovocie/zeleninu
- 6 Zásuvka na čerstvé potraviny
- 7 Zásuvky mrazničky
- 8 Nastaviteľné nohy
- 9 Dvierka chladničky
- 10 Dverné priehradky
- 11 Dvierka mrazničky
- 12 Formička na ľad
- 13 Tácka na vajíčka

Ovládací panel

- 14 Zobrazenie teploty v chladničke
- 15 Zobrazenie teploty v mrazničke
- 16 Ikona ✖ (rýchle chladenie)
- 17 Ikona ❄ (rýchle mrazenie)
- 18 Ikona 🏠 (prázdninový režim)
- 19 Ikona 🗝 (detská zámka)
- 20 Tlačidlo FRIDGE
- 21 Tlačidlo FREEZER
- 22 Tlačidlo Super Cool/Super Frz.

PREPRAVA

Spotrebič sa musí prevážať výhradne vo vzpriamenej polohe. Obalový materiál slúži na ochranu spotrebiča počas prepravy a musí byť počas prepravy neporušený.

Ak je to nevyhnutné a spotrebič je nutné prepravovať v horizontálnej polohe, musí byť položený tak, aby sa dvierka neotvárali, a nedošlo tak k ich poškodeniu. Potom sa musí spotrebič umiestniť do vertikálnej polohy. Pripojenie vidlice napájacieho prívodu a zapnutie spotrebiča sa nesmie vykonať aspoň 4 hodiny po uvedení do vertikálnej polohy, aby sa ustáľilo chladivo v chladiacom systéme. V opačnom prípade môže dôjsť k nevratnému poškodeniu spotrebiča a vzniku nebezpečnej situácie.

Spotrebič je ťažký a odporúčame, aby s ním manipulovali aspoň dve osoby. Vyvarujte sa prenášania spotrebiča za horný rám, dvierka a pod.

PRÍPRAVA PRED POUŽITÍM

Vybalenie spotrebiča

Opatrne chladničku vybalte a odstráňte z nej všetky pásky, štítky a fólie.

Výber miesta inštalácie

Chladnička musí byť inštalovaná na pevnom a rovnom povrchu v dostatočnej vzdialenosti od sieťovej zásuvky. Neinštalujte chladničku na koberce, rohožky alebo iný podobný materiál, to môže spôsobiť nežiaduce vibrácie a nadmerný hluk.

Spotrebič je určený na použitie v domácnosti a vnútri budovy. Neinštalujte ho vonku alebo na mieste, kde by bol vystavený dažďu, snehu, vlhkosti alebo iným zlým poveternostným podmienkam.

V prípade potreby chladničku vyrovnajte. Na vyrovnanie slúžia nastaviteľné nohy. Ich vyskrutkovaním alebo zaskrutkovaním chladničku vyrovnáte. Je to dôležité pre to, aby chladnička nespôsobovala nežiaduce vibrácie a nadmerný hluk.

Množstvo náplne chladiva nájdete na typovom štítku spotrebiča.

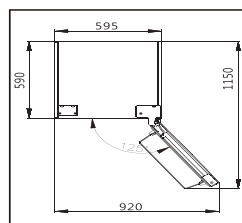
Okolo spotrebiča je potrebné zaistiť dostatočný voľný priestor na správnu cirkuláciu vzduchu: minimálne 30 mm nad spotrebičom, viac než 100 mm po jeho stranách a aspoň 50 mm za spotrebičom.

Zaistite dostatočný voľný priestor pred spotrebičom, aby ste mohli ľahko otvárať dverka.

Neinštalujte chladničku do blízkosti sporáka, kúrenia alebo iných zdrojov tepla. Zabráňte tomu, aby bola chladnička vystavená priamemu slnečnému svitu.

Chladničku neinštalujte do vlhkých alebo prašných miestností. Nikdy nezakrývajte ventilačné otvory.

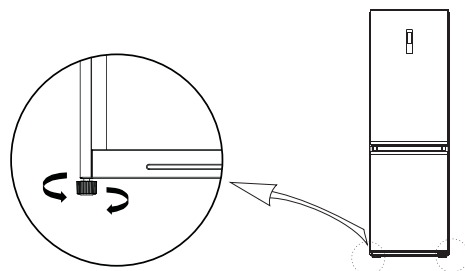
Chladnička môže spôsobiť rušenie rádiových zariadení alebo televízora. Uistite sa, že je chladnička umiestnená v dostatočnej vzdialenosti od týchto zariadení.



Vyrovnanie chladničky

Po umiestnení chladničky na vhodné miesto je nutné ju vyrovnať, aby ste zaistili tichú a spoľahlivú prevádzku, riadnu tesnosť dveriek chladničky a mrazničky a jednoduché otváranie a zatváranie dveriek chladničky a mrazničky.

Na vyrovnanie chladničky slúžia predné nastaviteľné nohy. Otáčaním v smere hodinových ručičiek chladničku zdvíhate, otáčaním proti smeru hodinových ručičiek ju znižujete.



Čistenie pred použitím

Pred prvým použitím alebo ak ste chladničku nepoužívali dlhší čas, vyčistite vnútorný priestor a všetky police a priehradky čistou vodou, príp. do vody pridajte trochu bieleho octu. Nikdy nepoužívajte žiadne čistiace prostriedky, rozpúšťadlá, benzín a pod., pretože by ste mohli narušiť povrchovú úpravu a chladničku nenávratne poškodiť.

Čas státia

Čas státia

Po inštalácii a vyčistení vyčakajte aspoň 2 hodiny pred zapojením vidlice do sieťovej

zásuvky, aby ste zaistili jej správnu prevádzku. Za tento čas sa chladivo rovnomerne v obvode rozloží.

Pripojenie k zdroju napájania

Vložte vidlicu napájacieho prívodu do riadne uzemnenej sieťovej zásuvky. Spotrebič musí byť uzemnený. Napätie uvedené na typovom štítku spotrebiča sa musí zhodovať s napätím vo vašej sieťovej zásuvke. V prípade pochybností sa obráťte na svojho dodávateľa elektrickej energie alebo na kvalifikovaného elektrikára.

POUŽITIE

Nastavenie teploty v chladničke

Stlačte raz tlačidlo **FRIDGE**, aby ste vstúpili do režimu nastavenia teploty v chladničke. Opakovaným stlačením tlačidla **FRIDGE** nastavte teplotu v rozmedzí od 2 do 8 °C. Na displeji sa zobrazí nastavená hodnota. Vyčkajte asi 5 sekúnd, než sa nastavená teplota uloží do pamäte.

Teplotu nastavujte v závislosti od ročného obdobia, teploty v miestnosti aj množstva vložených potravín.

Teplota vnútri chladničky je ovplyvnená okolitou teplotou, častotou otvárania dveriek a množstvom uložených potravín.

Ak sa vo vnútornom priestore chladničky tvorí námraza, zvýšte teplotu.



Poznámka:

Skôr ako vložíte potraviny do chladničky alebo mrazničky, nechajte chladničku zapnutú aspoň 2 – 3 hodiny (v lete 4 hodiny), aby došlo k vychladeniu vnútorného priestoru.


Nastavenie teploty v mrazničke


Stlačte raz tlačidlo **FREEZER**, aby ste vstúpili do režimu nastavenia teploty v mrazničke. Opakovaným stlačením tlačidla **FREEZER** nastavte teplotu v rozmedzí od -16 do -24 °C. Na displeji sa zobrazí nastavená hodnota. Vyčkajte asi 5 sekúnd, než sa nastavená teplota uloží do pamäte.

Teplotu nastavujte v závislosti od ročného obdobia, teploty v miestnosti aj množstva vložených potravín.

Prázdninový režim

Prázdninový režim je vhodný, ak odchádzate na dovolenku alebo na dlhší čas mimo domova. V tomto režime je výkon chladničky znížený. Priestor chladničky je úplne vypnutý a teplota mrazničky sa udržiava na -18 °C.

Stlačte a podržte tlačidlo **FRIDGE** 3 sekundy, kým sa na displeji nerozsvieti ikona prázdninového režimu . Chladnička sa prepne do prázdninového režimu.

Ak potrebujete prázdninový režim zrušiť, stlačte a podržte tlačidlo **FRIDGE** 3 sekundy, kým ikona prázdninového režimu  nezhasne. Obnoví sa pôvodná teplota chladničky aj mrazničky.

Prázdninový režim môžete zrušiť aj nastavením teploty chladničky (tlačidlo **FRIDGE**), nastavením teploty mrazničky (tlačidlo **FREEZE**) alebo stlačením tlačidla **Super Cool/Super Frz**.

Funkcia rýchleho chladenia

Funkcia rýchleho chladenia slúži na rýchle vychladenie vnútorného priestoru chladničky.

Stlačte opakovane tlačidlo **Super Cool/Super Frz.**, kým sa na displeji nerozsvieti ikona ✱. Automaticky sa nastaví teplota chladničky na 2 °C. Chladnička zostane v režime rýchleho chladenia maximálne 6 hodín, potom sa režim vypne a obnoví sa pôvodná teplota chladničky. Ak potrebujete funkciu rýchleho chladenia zrušiť, stlačte opakovane tlačidlo **Super Cool/Super Frz.**, kým ikona ✱ nezhasne.

Funkcia rýchleho mrazenia

Funkcia rýchleho mrazenia slúži na rýchle vychladenie vnútorného priestoru mrazničky. Rýchle mrazenie je vhodné, ak budete potrebovať zamraziť väčšie množstvo čerstvých potravín.

Stlačte opakovane tlačidlo **Super Cool/Super Frz.**, kým sa na displeji nerozsvieti ikona ✱. Automaticky sa nastaví teplota mrazničky na -24 °C.

Chladnička zostane v režime rýchleho mrazenia maximálne 24 hodín, potom sa režim vypne a obnoví sa pôvodná teplota mrazničky.


Teplotu mrazničky nie je možné meniť, preto tlačidlo **FREEZER** nebude aktívne.

Ak potrebujete funkciu rýchleho chladenia zrušiť, stlačte opakovane tlačidlo **Super Cool/Super Frz.**, kým ikona ✱ nezhasne.

Detská zámka

Detská zámka umožňuje uzamknúť ovládací panel, aby nebolo možné náhodne zmeniť nastavenie spotrebiča.

Stlačte a podržte tlačidlo **Super Cool/Super Frz.** 3 sekundy, aby ste detskú zámku aktivovali. Zaznie zvukové upozornenie a na displeji sa rozsvieti ikona detskej zámky .

Na zrušenie detskej zámky stlačte a podržte tlačidlo **Super Cool/Super Frz.** 3 sekundy. Zaznie zvukové upozornenie a na displeji ikona detskej zámky  zhasne.



Poznámka:

Ovládací panel sa automaticky zamkne po 30 sekundách nečinnosti. Aby ste ho odomkli, stlačte a podržte tlačidlo **Super Cool/Super Frz.** 3 sekundy. Každé stlačenie tlačidla je sprevádzané zvukovým signálom.

Ovládací panel a displej

V bežnom prevádzkovom režime sa v hornej časti displeja zobrazuje teplota v chladničke a v dolnej časti displeja teplota v mrazničke. Po prvom zapnutí chladničky je nastavená východisková teplota 5 °C pre chladničku a -18 °C pre mrazničku.

Ovládací panel bude naplno rozsvietený 3 sekundy po prvom zapnutí. Potom sa prepne na zobrazenie v bežnej prevádzke.

Ovládací panel sa automaticky zamkne po 30 sekundách nečinnosti a displej zhasne 30 sekúnd po zamknutí ovládacieho panelu. Teploty v chladničke a v mrazničke však zostanú zobrazené.

Upozornenie na otvorené dverka

Ak sú dverka chladničky otvorené dlhšie než 120 sekúnd, zaznie upozornenie. To sa bude v pravidelných intervaloch opakovať, kým dverka nezavriete.

Skladovanie potravín

Studený vzduch cirkuluje v celom priestore chladničky, a teplota je tak v rôznych častiach chladničky odlišná, a preto by rôzne druhy potravín mali byť umiestnené na rôznych miestach.

Potraviny ukladajte do chladničky v pôvodnom obale alebo vo vzduchotesných nádobách, aby sa zabránilo vzniku nepríjemného zápachu alebo prípadnej kontaminácii.

V priestore chladničky skladujte čerstvé potraviny, ako sú varené jedlá, nápoje, vajcia,

mliečne výrobky a pod. V zásuvke skladujte zeleninu a ovocie. V priestore mrazničky skladujte zmrzlinu, mrazené jedlá a potraviny a pod.

Umiestnenie potravín v chladničke

Priehradky vo dverách	Nápoje, džemy, dochucovadlá (napr. horčice)
Zásuvka na ovocie/zeleninu	Ovocie, zelenina, bylinky, ktoré sú určené na skladovanie v chladničke
Zásuvka na čerstvé potraviny	Surové mäso, hydina, ryby (krátkodobé skladovanie)
Spodná polica	Mliečne výrobky, vajcia
Prostredná a horná polica	Potraviny, ktoré nevyžadujú tepelnú úpravu; údeniny, hotové jedlá a pod.
Zásuvky mrazničky	Potraviny vhodné na dlhodobé skladovanie. Spodná zásuvka: surové mäso, hydina alebo ryby Prostredná zásuvka: mrazená zelenina, hranolčeky Horné zásuvky: zmrzlina, mrazené ovocie, mrazené pečivo

Formička na ľad: Naplňte formičku na ľad čistou, pitnou vodou a vložte ju do mraziaceho priestoru.

Pri nákupe potravín:

- Aby ste zabránili plynutiu, vytvorte si nákupný zoznam a nakupujte iba primerané množstvo.
- Kontrolujte vždy dátum spotreby uvedenej na obale.
- Kontrolujte stav obalu, nemal by byť poškodený.
- Obzvlášť pri ovocí a zelenine kontrolujte vzhľad a vôňu. Nakupujte iba ovocie a zeleninu bez chyby.
- Mrazené potraviny vkladajte do nákupného košíka ako posledné a používajte špeciálne tašky na ich prevoz.
- Pri nákupe balených potravín vždy skontrolujte, či je obal neporušený.
- Dodržujte maximálne množstvo potravín, ktoré je možné zamraziť počas 24 hodín. Tento údaj je uvedený na typovom štítku. Za tento čas otvárajte dvierka mrazničky čo najmenej.
- Pred vložením zmrazených alebo čerstvých potravín, ktoré sú určené na zamrazenie, sa vždy uistite, že je vnútorný priestor dostatočne vychladený, a to obzvlášť ak budete skladovať už zmrazené potraviny. V opačnom prípade by mohlo dôjsť k ich rozmrazeniu.
- Pred zamrazením nechajte horúce potraviny celkom vychladnúť.
- Čerstvé potraviny zabaľte do vrecúšok na ich správne uchovanie. Označte si ich názvom, hmotnosťou a dátumom. Vrecúška by mali byť pred vložením do mrazničky suché.

Pri skladovaní potravín:

- Pravidelne kontrolujte stav skladovaných potravín a včas ich skonzumujte.
- Potraviny, ktoré pravidelne konzumujete alebo používate, umiestnite dopredu. Skrátime tým čas, keď sú dvierka otvorené.
- Rozmrazené alebo čiastočne rozmrazené potraviny už znovu nezamrazujte.
- Rozmrazené mäso tepelne spracujte.

- V chladničke neskladujte príliš mnoho potravín. Zaistíte okolo potravín voľný priestor, aby mohol studený vzduch voľne prúdiť.
- Teplé potraviny nechajte pred ich vložением do chladničky vychladnúť.
- Neotvárajte dvierka chladničky príliš často.
- Skladujte v chladničke iba tie potraviny, ktoré sú určené na skladovanie v chladničke. Niektoré potraviny, obzvlášť ovocie alebo zelenina, nevyžadujú skladovanie v chladničke.
- Potraviny ukladajte do mrazničky v pôvodnom obale alebo vo vzduchotesných nádobách, aby sa zabránilo vzniku nepríjemného zápachu alebo prípadnej kontaminácii.
- Pri ukladaní potravín do mraziaceho priestoru dodržujte vzdialenosť od vnútornej steny. Potraviny bohaté na vodu neumiestňujte príliš blízko k zadnej stene, aby nedošlo k ich primrznutiu.
- Nevkladajte do mrazničky sklenené dózy naplnené tekutinou ani nápoje v plechovkách. Hrozí ich poškodenie, pretože tekutina pri mrazení zväčšuje svoj objem.

ČISTENIE A ÚDRŽBA

Udržujte chladničku čistú. Zvyšky jedál alebo potravín môžu v chladničke spôsobiť nepríjemný zápach. Odporúčame police, zásuvku a priehradky čistiť aspoň raz za mesiac.

Bežná údržba

Z priestoru chladničky, s výnimkou mrazničky, vyberte všetky potraviny a potom police, zásuvku a priehradky. Umyte tieto časti v teplej vode s trochu kuchynského saponátu, opláchnite a utrite dosucha.

Vnútrotný priestor chladničky utrite čistou utierkou mierne navlhčenou v čistej a vlažnej vode. Utrite dosucha.

Utrite tesnenie okolo dvierok chladničky mäkkou utierkou mierne navlhčenou v teplej vode.

Vonkajší povrch chladničky utrite mäkkou utierkou mierne navlhčenou v teplej vode s trochu kuchynského saponátu.

Odstráňte prach zo zadnej steny chladničky. Môžete použiť vysávač s nasadenou kefovou hubicou a nastaveným nízkym výkonom.



Varovanie:

Na čistenie nepoužívajte hrubé čistiace prostriedky, alkalické prostriedky, rozpúšťadlá, benzín atď. Používajte iba mäkkú hubku alebo utierku. Nepoužívajte drôtenky ani iné materiály, ktoré by mohli spôsobiť poškriabanie povrchu.

Odmrazovanie

Chladnička je vybavená systémom No-Frost, ktorý zaisťuje jej automatické odmrázovanie. Nie je preto nutné mrazničku ručne odmrázovať.



Varovanie:

Nikdy neponárajte spotrebič, napájací prívod ani vidlicu do vody ani inej tekutiny.

Výmena osvetlenia

LED žiarivku, ktorá osvetľuje vnútrotný priestor chladničky, smie vymeniť iba technik

autorizovaného servisu. Nikdy nevymieňajte žiarivku sami. Obráťte sa na autorizovaný servis. Tento výrobok obsahuje svetelný zdroj s triedou energetickej účinnosti G.

Vypnutie chladničky na dlhší čas

Ak nebudete chladničku dlhší čas používať, odpojte vidlicu od sieťovej zásuvky. Vyčistite vnútorný priestor, vrátane mrazničky, podľa pokynov vyššie.

Nechajte dvierka otvorené, aby nedošlo k tvorbe nežiaduceho zápachu.

RIEŠENIE PROBLÉMOV

Problém	Príčina	Riešenie
Chladnička nechladí.	Vidlica nie je zapojená v sieťovej zásuvke alebo je zle zapojená.	Zapojte správne vidlicu do sieťovej zásuvky.
	Napätie v sieťovej zásuvke je nízke.	Obráťte sa na kvalifikovaného elektrikára alebo dodávateľa elektrickej energie.
	Istič je spadnutý alebo je vyhoretá poistka.	Skontrolujte istič a poistky.
Vo vnútornom priestore je nepríjemný zápach.	Potraviny so silnou arómou nie sú správne zabalené.	Potraviny so silnou arómou riadne zabalte alebo vložte do vzduchotesnej nádoby.
	V chladničke je skazená potravina.	Vyhodte skazenú potravinu.
	Vnútorný priestor je znečistený.	Vyčistite vnútorný priestor.
Kompresor je stále v prevádzke.	V horúcich dňoch je bežné, že je kompresor stále v prevádzke. Ide o normálny jav.	
	V chladničke je príliš mnoho potravín.	Chladničku nadmerne nepreplňujte.
	Vložili ste horúce potraviny.	Potraviny vkladajte do vnútorného priestoru vychladnuté na izbovú teplotu.
	Dvierka sa často otvárajú.	Otvárajte dvierka menej často a len na nevyhnutne dlhý čas.
Vnútorné osvetlenie sa nerozsvieti.	Chladnička nie je zapnutá.	Zapnite chladničku.
	Žiarivka je rozbitá.	Nechajte žiarivku vymeniť.

Problém	Príčina	Riešenie
Dvierka nie je možné zavrieť.	Vložené potraviny bránia v zatvorení dvierok.	Preložte potraviny tak, aby bolo možné dvierka zavrieť.
	Chladnička nie je vyrovnaná.	Vyrovnajzte chladničku.
Tesnenie dvierok netesní.	Tesnenie je špinavé.	Odstráňte nečistoty z tesnenia.
	Tesnenie je zdeformované.	Opatrne nahrejte tesnenie a potom schladte, aby sa mohol obnoviť jeho pôvodný tvar. Použite horúci uterák alebo sušič vlasov na nahriatie tesnenia.
Pod chladničkou je voda.	Vo vnútornom priestore je príliš mnoho potravín alebo potraviny obsahujú mnoho vody, čo spôsobuje častejšie odmrazovanie.	Znížte množstvo potravín vnútri chladničky. Potraviny, ktoré nevyžadujú skladovanie v chladničke, vyberte.
	Dvierka nie sú správne zatvorené.	Zavrite dvierka.
Vonkajší povrch chladničky je horúci.	Nadbytočné teplo sa odvádza cez vonkajší povrch chladničky. Ide o normálny jav. Ak sa vonkajší povrch zahrieva z dôvodu vysokej okolitej teploty alebo veľkého množstva skladovaných potravín v chladničke, odporúčame zaistiť adekvátnu ventiláciu, ktorá pomôže odvieť teplo z vonkajšieho povrchu.	
Na vonkajšom povrchu kondenzuje voda.	Okolité vzdušná vlhkosť je vysoká.	Utrite vonkajší povrch chladničky čistou utierkou a znížte vzdušnú vlhkosť v miestnosti.
Chladnička vydáva nezvyklý hluk.	Bzučivý zvuk: Kompresor môže vydávať bzučivý zvuk počas prevádzky. Zvuk môže byť silnejší pri spúšťaní alebo vypínaní kompresora. Ide o normálny jav. Škrípota: Pohyb chladiča vo vnútornom okruhu môže spôsobovať škrípavý zvuk. Ide o normálny jav.	

Ak problém nie je uvedený v tabuľke vyššie alebo sa problém nepodarilo vyriešiť, vypnite spotrebič, odpojte zástrčku prírodného kábla od sieťovej zásuvky a obráťte sa na autorizované servisné stredisko.

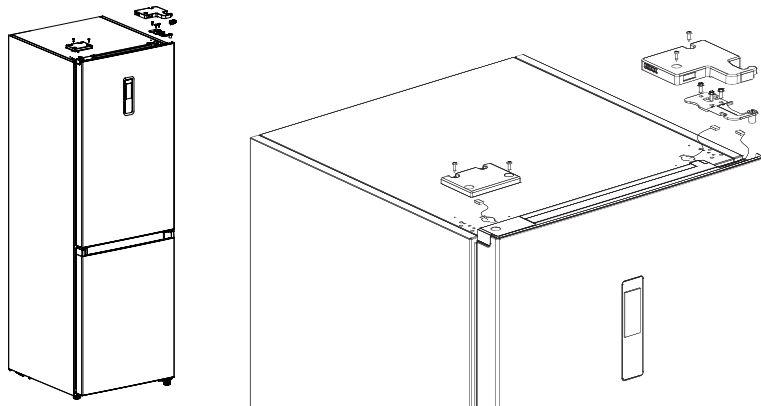
Chybové hlásenia

Nižšie uvedené chybové hlásenia sa môžu zobrazíť na displeji a označujú konkrétne poruchy chladničky. Obráťte sa na autorizovaný servis, ak sa vyskytne niektoré z chybových hlásení.

Chybové hlásenie	Význam
E1	Porucha na teplotnom senzore priestoru chladničky
E2	Porucha na teplotnom senzore priestoru mrazničky
E3	Porucha na teplotnom senzore zásuvky na čerstvé potraviny
E5	Porucha na detekčnom obvode snímača odmrazovania
E6	Porucha komunikácie
E7	Porucha na senzore okolitej teploty

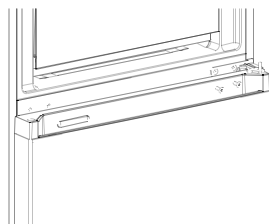
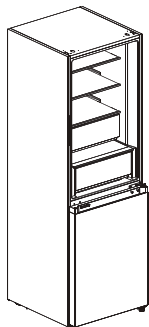
OTOČENIE SMERU OTVÁRANIA DVIEROK

1. Uistite sa, že je vidlica napájacieho prívodu odpojená od sieťovej zásuvky. Pripravte si potrebné náradie (krížový skrutkovač, plochý skrutkovač, račňu alebo maskovaciu pásku).
2. Vyberte potraviny z dverných priehradiek a vyberte dverné priehradky.
3. Odstráňte ozdobný kryt ľavého horného závesu, kryt pravého horného závesu a pravý horný záves a odpojte svorky vedenia dverného spínača.

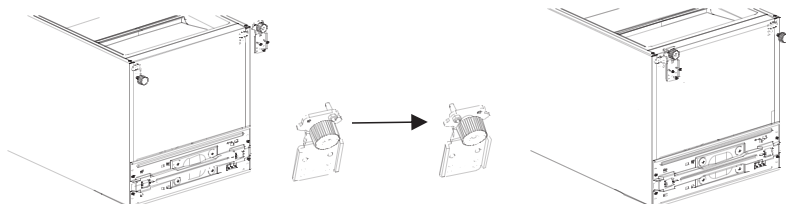


4. Opatrne odstráňte dverka chladničky. Uložte bokom na mäkkú podložku. Dávajte pozor, aby ste nestratili malé časti, ako je puzdro hriadeľa a zarážka na dverách.

5. Uvoľnite a vyberte stredový záves. Odstaňte ozdobné krytky ľavého stredového závěsu a umiestnite ich na pravú stranu.

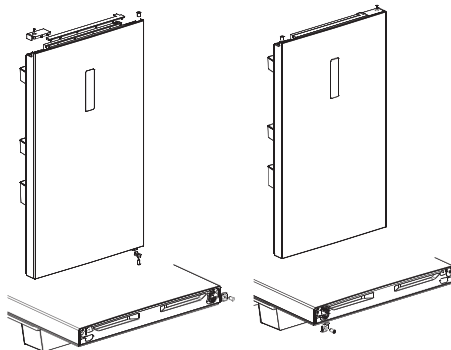


6. Opatrne odstráňte dverka mrazničky. Uložte bokom na mäkkú podložku. Dávajte pozor, aby ste nestratili malé časti, ako je puzdro hriadeľa a zarážka na dverách.
7. Uvoľnite a vyberte spodný záves a ľavú nastaviteľnú nohu. Presuňte čap spodného závěsu na druhú stranu a naskrutkujte spodný záves na ľavú stranu. Naskrutkujte nastaviteľnú nohu na druhú stranu.



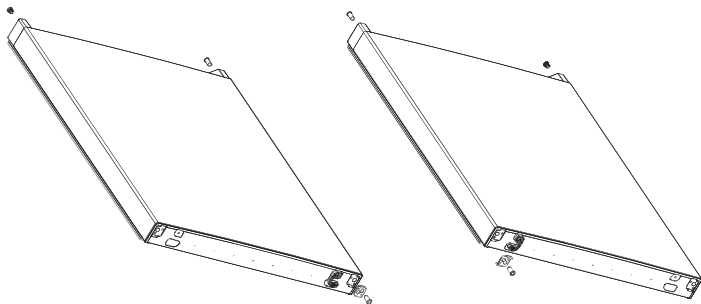
8. Príprava dveriek chladničky:

- Odstráňte kryciu dosku horného koncového krytu dveriek chladničky a ľavý ozdobný kryt. Namontujte horné puzdro hriadeľa a svorku vedenia dverného spínača na druhú stranu a zakryte horným koncovým krytom. Vyberte pravý ozdobný kryt z vrecúška s príslušenstvom a nainštalujte ho na druhú stranu horného koncového krytu.
- Odstráňte samozamykací systém dveriek, zarážku dveriek a puzdro hriadeľa dveriek chladničky. Vyberte ľavý samozamykací systém dveriek z vrecúška s príslušenstvom a nainštalujte ho na ľavú stranu spodného koncového krytu dveriek chladničky. Premiestnite zarážku dveriek a puzdro hriadeľa na ľavú stranu spodného koncového krytu dveriek chladničky.

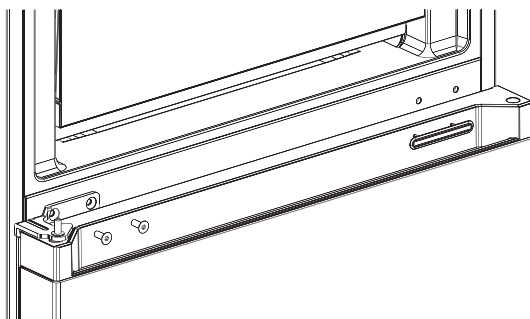


9. Príprava dvierok mrazničky:

- Vyberte puzdro hriadeľa a krytku horného koncového krytu dvierok mrazničky a nainštalujte ich na opačné strany, než pôvodne boli.
- Odstráňte samozamykací systém dvierok a puzdro hriadeľa dvierok mrazničky. Vyberte ľavý samozamykací systém dvierok z vrecúška s príslušenstvom a nainštalujte ho na ľavú stranu spodného koncového krytu dvierok mrazničky. Premiestnite zarážku dvierok a puzdro hriadeľa na ľavú stranu spodného koncového krytu dvierok mrazničky.

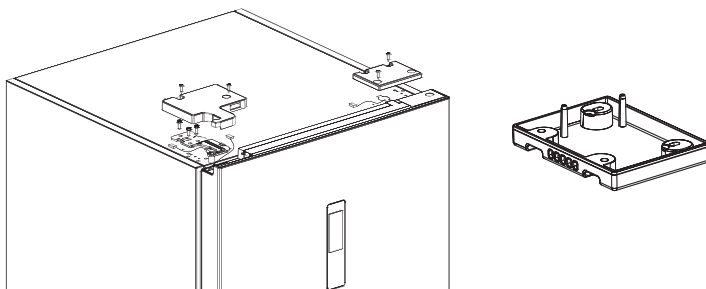


10. Nasadte dvierka mrazničky na spodný záves, vyrovnajte ich a naskrutkujte stredový záves. Uistite sa, že dvierka dobre doliehajú a tesnia, než dotiahnete skrutky stredového závesu. Do voľných otvorov stredového závesu vložte ozdobné krytky.



11. Vyberte kryt ľavého horného závesu a ľavý horný záves z vrecúška s príslušenstvom.

12. Nasadte dvierka chladničky na stredový záves, vyrovnajte ich a naskrutkujte horný záves. Uistite sa, že dvierka dobre doliehajú a tesnia, než dotiahnete skrutky horného závesu. Pripojte svorky vedenia dverného spínača. Nasadte ozdobný kryt závesu na pravú stranu (pri výmene ozdobného krytu závesu na pravú stranu sa musia odrezat' dva hroty) a nasadte kryt horného závesu.



Informačný list výrobku

DELEGOVANÉ NARIADENIE KOMISIE (EÚ) 2019/2016, pokiaľ ide o energetické označovanie chladiacich spotrebičov

Názov dodávateľa alebo jeho ochranná známka: Siguro

Adresa dodávateľa: PL - SIGURO, Jankovcova 1522/53 17000 Praha Holešovice Česká republika

Identifikačný kód modelu: SGR-BF-A241S

Typ chladiaceho spotrebiča:

Spotrebič s nízkou hlučnosťou:	Nie	Dizajn:	Voľne stojaci
Spotrebič na uchovávanie vína:	Nie	Iný chladiaci spotrebič:	Áno

Všeobecné parametre výrobku:

Parameter	Hodnota	Parameter	Hodnota
Celkové rozmery (v milimetroch)	Výška	Celkový objem (v dm ³ alebo l)	378
	Šírka		
	Hĺbka		
EEI	41	Trieda energetickej účinnosti	A
Úroveň vydávaného hluku prenášaného vzduchom [dB(A) re 1 pW]	29	Úroveň vydávaného hluku prenášaného vzduchom	A
Ročná spotreba energie (kWh/a)	113	Klimatická trieda:	rozšírená mierna, mierna, subtropická, tropická
Minimálna teplota okolia (°C), pre ktorú je chladiaci spotrebič vhodný	10	Maximálna teplota okolia (°C), pre ktorú je chladiaci spotrebič vhodný	43
Zimné nastavenie	Nie		

Parametre oddelení:

Typ oddelenia	Parametre a hodnoty oddelení			
	Objem oddelenia (v dm ³ alebo l)	Odporúčané nastavenie teploty pre optimalizované skladovanie potravín (°C) Tieto nastavenia nesmú odpořovať podmienkam skladovania stanoveným	Mrzaci výkon (kg/24 h)	Defrosting type (auto-defrost=A, manual defrost=M)

			v tabuľke 3 prílohy IV		
Oddelenie s podmienkami komory	Nie	-	-	-	-
Oddelenie na uchovávanie vína	Nie	-	-	-	-
Oddelenie s podmienkami pivnice	Nie	-	-	-	-
Oddelenie na čerstvé potraviny	Áno	216,0	4	-	A
Oddelenie na uchovávanie rýchlo sa kaziacich potravín	Áno	40,0	2	-	A
Bez hviezdičkové alebo výroba ľadu	Nie	-	-	-	-
1-hviezdičkové	Nie	-	-	-	-
2-hviezdičkové	Nie	-	-	-	-
3-hviezdičkové	Nie	-	-	-	-
4-hviezdičkové	Áno	122,0	-18	8,5	A
2-hviezdičkový oddiel	Nie	-	-	-	-
Oddelenie s premenlivou teplotou	-	-	-	-	-
Pri štvorhviezdičkových oddeleniach					
Funkcia rýchleho mrazenia			Áno		
Parametre zdroja svetla:					
Typ zdroja svetla			LED		
Trieda energetickej účinnosti			G		
Minimálne trvanie záruky, ktorú ponúka výrobca: 36 mesiacov					
Doplňujúce informácie:					
Odkaz na webovú stránku výrobcu, kde možno nájsť údaje podľa bodu 4 písm. a) prílohy k nariadeniu Komisie (EÚ) 2019/2019: www.siguro.cz					

Model placed on the Union market from 01/08/2024.



EPREL registration number: 2012521

<https://eprel.ec.europa.eu/qr/2012521>

Supplier: Alza.cz a.s. (Manufacturer)

Website: www.alza.cz

Customer care service:

Name: PL - SIGURO

Website: www.siguro.cz

Email: siguro@alza.cz

Phone: 225 340 111

Address:

Jankovcova 1522/53 17000 Praha Holešovice Česká republika

Informačný list výrobku

DELEGOVANÉ NARIADENIE KOMISIE (EÚ) 2019/2016, pokiaľ ide o energetické označovanie chladiacich spotrebičov

Názov dodávateľa alebo jeho ochranná známka: Siguro

Adresa dodávateľa: PL - SIGURO, Jankovcova 1522/53 17000 Praha Holešovice Česká republika

Identifikačný kód modelu: SGR-BF-A241Y

Typ chladiaceho spotrebiča:

Spotrebič s nízkou hlučnosťou:	Nie	Dizajn:	Voľne stojaci
Spotrebič na uchovávanie vína:	Nie	Iný chladiaci spotrebič:	Áno

Všeobecné parametre výrobku:

Parameter	Hodnota	Parameter	Hodnota
Celkové rozmery (v milimetroch)	Výška	Celkový objem (v dm ³ alebo l)	378
	Šírka		
	Hĺbka		
EEL	41	Trieda energetickej účinnosti	A
Úroveň vydávaného hluku prenášaného vzduchom [dB(A) re 1 pW]	29	Úroveň vydávaného hluku prenášaného vzduchom	A
Ročná spotreba energie (kWh/a)	113	Klimatická trieda:	rozšírená mierna, mierna, subtropická, tropická
Minimálna teplota okolia (°C), pre ktorú je chladiaci spotrebič vhodný	10	Maximálna teplota okolia (°C), pre ktorú je chladiaci spotrebič vhodný	43
Zimné nastavenie	Nie		

Parametre oddelení:

Typ oddelenia	Parametre a hodnoty oddelení		
	Objem oddelenia (v dm ³ alebo l)	Odporúčané nastavenie teploty pre optimalizované skladovanie potravín (°C) Tieto nastavenia nesmú odpovedať podmienkam skladovania stanoveným	Mraziaci výkon (kg/24 h)

			v tabuľke 3 prílohy IV		
Oddelenie s podmienkami komory	Nie	-	-	-	-
Oddelenie na uchovávanie vína	Nie	-	-	-	-
Oddelenie s podmienkami pivnice	Nie	-	-	-	-
Oddelenie na čerstvé potraviny	Áno	216,0	4	-	A
Oddelenie na uchovávanie rýchlo sa kaziacich potravín	Áno	40,0	2	-	A
Bez hviezdičkové alebo výroba ľadu	Nie	-	-	-	-
1-hviezdičkové	Nie	-	-	-	-
2-hviezdičkové	Nie	-	-	-	-
3-hviezdičkové	Nie	-	-	-	-
4-hviezdičkové	Áno	122,0	-18	8,5	A
2-hviezdičkový oddiel	Nie	-	-	-	-
Oddelenie s premenlivou teplotou	-	-	-	-	-
Pri štvorhviezdičkových oddeleniach					
Funkcia rýchleho mrazenia			Áno		
Parametre zdroja svetla:					
Typ zdroja svetla			LED		
Trieda energetickej účinnosti			G		
Minimálne trvanie záruky, ktorú ponúka výrobca: 36 mesiacov					
Doplňujúce informácie:					
Odkaz na webovú stránku výrobcu, kde možno nájsť údaje podľa bodu 4 písm. a) prílohy k nariadeniu Komisie (EÚ) 2019/2019: www.siguro.cz					

Model placed on the Union market from 01/08/2024.



EPREL registration number: 2012730

<https://eprel.ec.europa.eu/qr/2012730>

Supplier: Alza.cz a.s. (Manufacturer)

Website: www.alza.cz

Customer care service:

Name: PL - SIGURO

Website: www.siguro.cz

Email: siguro@alza.cz

Phone: 225 340 111

Address:

Jankovcova 1522/53 17000 Praha Holešovice Česká republika

Köszönjük, hogy a SIGURO márka termékét választotta! Köszönjük, hogy megtisztelt bennünket a bizalmával! Örömmel mutatjuk be Önnek a készülékünket, a készülék funkcióit és a készülék használatát.

Hiszünk abban, hogy tisztességes és felelős vállalat vagyunk, ezért csak olyan beszállítókkal dolgozunk együtt, akik megfelelnek a munkavállalók érdekeinek a védelmére, a munkavállalói visszaélések megelőzésére, továbbá a tisztességes munkakörülmények biztosítására vonatkozó szigorú kritériumainknak.

Amennyiben a készüléken olyan karbantartást vagy javítást kíván végrehajtani, amelyhez a készüléket meg kell bontani, akkor forduljon a márkaszervizhez a siguro@alza.cz e-mailen, vagy hívja fel a vevőszolgálatunkat. A kényelmesebb ügyintézés érdekében egybevontuk a kapcsolati helyeinket, így a fenti kapcsolatokat nem csak a javítások és karbantartások megrendeléséhez, hanem a reklamációk benyújtásához vagy a garancia utáni szervizeléshez is fel lehet használni.

BIZTONSÁGI INFORMÁCIÓK



A használatba vétel előtt figyelmesen olvassa el a jelen útmutatót, és azt későbbi felhasználásokhoz is őrizze meg.

1. A készüléket 8 évnél idősebb gyerekek, idős, testi és szellemi fogyatékos személyek, illetve a készülék használatát nem ismerő és hasonló készülék üzemeltetéseinek a tapasztalataival nem rendelkező személyek csak a készülék használati utasítását ismerő és a készülék használatáért felelősséget vállaló személy felügyelete mellett használhatják.
2. A készülék nem játék, azzal gyerekek nem játszhatnak.
3. A készüléket gyerekek csak felnőtt személy felügyelete mellett tisztíthatják.
4. Az áramütések megelőzése érdekében, a készülék sérült hálózati vezetékét csak márkaszerviz, vagy villanszerelő szakember cserélheti ki.



FIGYELMEZTETÉS! TŰZVESZÉLY!

5. 3 és 8 év közötti gyerekek használhatják a készüléket, abból élelmiszereket vehetnek ki, vagy abba élelmiszereket rakhatnak be.
6. **FIGYELMEZTETÉS!** A készülék szellőzőnyílásait letakarni tilos.
7. **FIGYELMEZTETÉS!** A kiolvasztáshoz és a jég eltávolításához csak a készülék gyártója által ajánlott eszközöket használjon.

8. **FIGYELMEZTETÉS!** Előzze meg a hűtőkör sérülését.
9. **FIGYELMEZTETÉS!** A készüléken belül más elektromos készüléket használni tilos (kivéve, ha ezt a készülék gyártója engedélyezte).
10. A készülékben robbanékony anyagokat (pl. gyúlékony hajtógázzal töltött spray) tárolni tilos.
11. A készüléket háztartásokban, illetve a következő helyeken lehet használni:
 - konyhák, irodai és egyéb munkahelyi kiskonyhák;
 - szállodai és motelszobák, munkásszállások konyhái,
 - turistaszállások és egyéb jellegű szállások,
 - étkezdék, kifőzdék és egyéb nem üzleti jellegű ételkiadók.
12. Ez a készülék szabadon álló készülék. A készüléket nem lehet beépíteni vagy rögzíteni.
13. A készüléket csak a jelen útmutatóban leírt módon és célokra használja. Csak így biztosítható a tárolt élelmiszerek biztonsága.
14. Az élelmiszerek tisztasága és eltarthatósága érdekében tartsa be a következőket.
 - Az ajtó gyakori nyitogatása vagy nyitva tartása következtében a készülék belső hőmérséklete jelentős mértékben nőhet.
 - Az élelmiszerekkel kapcsolatba kerülő felületeket, és hozzáférhető vízelvezető felületeket gyakran tisztítsa meg.
 - Tisztítsa meg a víztartályt, ha legalább 48 órán keresztül nem használta. Öblítse át a vízrendszert, ha legalább 5 napon keresztül nem használta.
 - A nyers húst és halakat csomagolja be megfelelő csomagolóanyagba (edénybe), hogy azok ne kerüljenek közvetlenül kapcsolatba az egyéb élelmiszerekkel, illetve azokról a lé ne csöpögjön le.
 - A két csillaggal megjelölt fagyasztó szekrényekbe előre lefagyasztott (mirelit) alapanyagokat és ételeket lehet berakni, illetve a fagyasztóban jégkockát és fagyalaltot lehet készíteni.
 - Az egy, két vagy három csillaggal megjelölt fagyasztókban nem lehet friss alapanyagokat és élelmiszereket lefagyasztani.
 - Amennyiben a készüléket hosszabb ideig üresen kívánja hagyni, akkor a készüléket kapcsolja le, olvassza ki, tisztítsa ki, szárítsa meg, és az ajtót hagyja kissé nyitva (a penészképződés megelőzése érdekében).
15. **FIGYELMEZTETÉS!** Ügyeljen arra, hogy a hálózati vezeték ne sérüljön meg és ne akadályozza a szabad mozgást.
16. **FIGYELMEZTETÉS!** A készüléket ne csatlakoztassa aljzatba dugott elosztóhoz vagy hosszabbító vezetékhez.
17. **FIGYELMEZTETÉS!** A készülék burkolatának a leszerelésével járó javításokat csak márkaszerviz hajthat végre a készüléken. A készüléket ne próbálja megjavítani, áramütés érheti.
18. A készülékből gyúlékony gáz áramolhat ki, a hűtőközeg halmazállapot változás közben fagsérülést okozhat.
19. A fagyasztóba palackos vagy dobozos szénsavas italokat ne tegyen be.
20. A fagyasztóból kivett és azonnal elfogyasztott fagyalt fagyási sérüléseket okozhat. A fagyalt elfogyasztása előtt várjon legalább 5 percet.
21. A fagyasztóból kivett élelmiszert nedves és vizes kézzel ne fogja meg.

Ellenkező esetben fagyási sérülés érheti.

22. Ügyeljen arra, hogy a gyerekek ne kezeljék a készülék működtető elemeit.
23. A készülék nehéz. Legyen óvatos a készülék mozgatása közben. A készüléket két személy mozgassa.
24. A készüléket megváltoztatni vagy átalakítani tilos.
25. A hűtőszekrény belső részét világító LED lámpát csak márkaszerviz vagy villanyszerelő szakember cserélheti ki. A lámpát ne cserélje ki saját erőből.
26. **FIGYELMEZTETÉS!** A hűtőkészülékek - különösen az I. típusú hűtő-fagyasztó készülékek - nem működnek megfelelően (a tartalom felolvadhat, vagy a fagyasztott élelmiszerek rekeszében a hőmérséklet túl magas lehet), ha hosszabb ideig, a hűtőkészülék tervezése szerinti külső hőmérsékleti tartomány alsó határa alatti hőmérsékleten üzemeltetik.
27. **FIGYELMEZTETÉS!** A zárral szerelt ajtók és fedelek kulcsait gyerekeknek elérhetetlen helyen kell elhelyezni, hogy véletlenül se tudják a játszó gyerekek egymásra zárni ezeket az ajtókat (fedeleket).
28. **FIGYELMEZTETÉS!** A készülékben felhasznált hűtőközeget és a hőszigetelő anyagokat veszélyes hulladékként kell kezelni a készülék megsemmisítése során.

Elektromos bekötés

1. A készüléket 220-240 V~, 50 Hz feszültségű fali aljzathoz kell csatlakoztatni. A készüléket csak a típuscímkén feltüntetett tápfeszültség értékeivel megegyező hálózathoz szabad csatlakoztatni.
2. A készüléket nem szabad feszültségátalakítóról üzemeltetni.
3. A hálózati vezetékét a készülék mögött vezesse el. Ügyeljen arra, hogy a hálózati vezetékben senki se akadjon el vagy botoljon el.
4. A hálózati vezetékét a vezetéknél megfogva nem szabad a fali aljzathoz kihúzni. A művelethez mindig a csatlakozódugót fogja meg.
5. A készüléket ne üzemeltesse hosszabbító vezetékről. Ha a hálózati vezeték túl rövid, akkor forduljon a márkaszervizhez vagy villanyszerelő szakemberhez a vezeték meghosszabbítása vagy a fali aljzat közelebb szerelése érdekében.

Klímaosztály

A klímaosztályra vonatkozó információkat a készülék típuscímkéje tartalmazza. Itt találja meg a helyiség hőmérsékletére vonatkozó adatokat, amelyek betartása esetén a készülék optimálisan tud működni.

Klímaosztály	Környezeti hőmérséklet
SN	+10°C és 32°C között
N	+16°C és 32°C között
ST	+16°C és 38°C között
T	+16°C és 43°C között

**Megjegyzés:**

A készülék üzemeltetési hőmérsékletét a klímaosztálytól, a környezeti hőmérséklettől, az ajtónyitogatás gyakoriságától stb. függően kell beállítani. Ha a készüléket a klímaosztály paramétereitől eltérő körülmények között használja, akkor előfordulhat, hogy a készülék nem fog megfelelően hűteni.

Zár

Ha a készülék zárral van ellátva, akkor a kulcsot tárolja biztonságos helyen (nem a készülék közelében), hogy gyerekek véletlenül se zárhassák be egymást a készülékbe.

A készülék környezetbarát megsemmisítése előtt ezt a zárat ki kell szerelni, vagy úgy kell átalakítani, hogy a zárat és az ajtót ne lehessen bezárni.

R600a hűtőközeg

A hűtőberendezésekben használt R600a hűtőközeg és a ciklo-pentán szigetelőanyag környezetbarát, nem károsítja az ózonréteget, és nagyon kis hatással van a globális felmelegedésre. A hűtőkörben található R600a hűtőközeg azonban gyúlékony. A hűtőközeg vagy a hűtőgázok szivárgásának az elkerülése érdekében fokozottan ügyeljen arra, hogy a készülék szállítása, telepítése vagy egyéb kezelése során ne sérüljön meg a hűtőkör. Ha a hűtőkör megsérül és hűtőközeg vagy hűtőgáz kiszivárog, akkor azonnal oltsa el a közelben található nyílt lángot és nyissa ki az ablakokat.

A hűtőközeget és hűtőgázt tartalmazó készülékeket környezetbarát és szakszerű módon kell ártalmatlanítani. A nem megfelelő ártalmatlanítás sérülést, gyulladást vagy más veszélyes helyzeteket okozhat. A hűtőközeget és a hűtőgázokat csak érvényes képesítéssel rendelkező, szakképzett személy kezelheti. Az ártalmatlanítás előtt győződjön meg arról, hogy a hűtőkör nem sérült-e meg.



A készülék részei

- 1 Felső LED világítás
- 2 Bartartó állvány
- 3 Hűtőszekrény polcok
- 4 Középső LED világítás
- 5 Gyümölcs / zöldségtároló fiók
- 6 Friss élelmiszer rekesz
- 7 Fagyasztó fiókok
- 8 Beállítható láb
- 9 Hűtőszekrény ajtó
- 10 Ajtópolcok
- 11 Mélyhűtő ajtó
- 12 Jégkocka készítő
- 13 Tojástartó tálca

Működtető panel

- 14 Hűtőszekrény hőmérséklet kijelző
- 15 Fagyasztó hőmérséklet kijelző
- 16 ✱ ikon (gyors hűtés)
- 17 ❄️ ikon (gyors fagyasztás)
- 18 🏠 ikon (szabadság üzemmód)
- 19 🚫 ikon (gyerekzár)
- 20 FRIDGE gomb
- 21 FREEZER gomb
- 22 Super Cool/Super Frz. gomb

SZÁLLÍTÁS

A készüléket csak álló helyzetben szabad szállítani. A csomagolóanyag szállítás közben védi meg a készüléket az esetleges sérülésektől, ezért a csomagolóanyagot csak a telepítés helyén távolítsa el.

Amennyiben nincs más lehetőség, és a készüléket vízszintes állapotban kell szállítani, akkor a készüléket úgy kell elhelyezni, hogy az ajtó ne nyíljon ki és a készülék ne sérüljön meg. A telepítés helyén a készüléket függőleges helyzetbe kell állítani. A függőleges helyzetbe állítás után várjon legalább 4 órát a készülék elektromos hálózathoz való csatlakoztatásával, hogy a hűtőközeg stabilizálódjon a hűtőrendszerben. Ellenkező esetben a készülék meghibásodhat és veszélyes helyzeteket okozhat.

A készüléket mindig legalább két ember mozgassa. A készüléket a felső lapnál, az ajtónál stb. megfogva nem szabad emelni és mozgatni.

ELŐKÉSZÜLET A HASZNÁLATHOZ

A készülék kicsomagolása

A hűtőszekrényt óvatosan csomagolja ki, arról távolítson el minden csomagolóanyagot, szalagot, címkét és fóliát.

A telepítési hely kiválasztása

A hűtőszekrényt sima és szilárd, valamint vízszintes helyre, egy fali aljzathoz közel állítsa fel. A hűtőszekrényt ne állítsa fel szőnyegre vagy más puha alátételre, mert ez a készülék berezgését, illetve zavaró hangok keletkezését okozhatja.

A készülék csak háztartásokban és fedett helyen használható. A készüléket szabadban nem szabad használni, és a készüléket nem érheti eső, hó, nedvesség vagy más időjárási hatás.

A hűtőszekrényt állítsa vízszintes helyzetbe. A beállításhoz használja az állítható lábakat. A lábak megfelelő ki- és becsavarásával a hűtőszekrényt vízszintes helyzetbe tudja állítani. A nem megfelelően beállított hűtőszekrény berezgehet illetve hangosabban üzemelhet.

A hűtőközeg tömegét a készülék típuscímkéje tartalmazza.

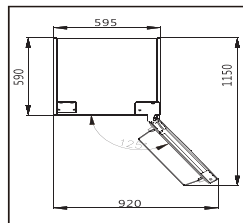
A készülék körül biztosítani kell a levegő szabad áramlásához szükséges minimális teret: felül 30 mm-t, oldalt 100 mm-t és hátul 50 mm-t.

A készülék előtt hagyjon annyi szabad helyet, hogy az ajtókat kényelmesen ki tudja nyitni.

A hűtőszekrényt ne állítsa fel nyílt láng vagy más hőforrás közelébe (fűtés, gáztűzhely stb.). Ügyeljen arra, hogy a hűtőszekrényt ne érje közvetlen napsütés.

A hűtőszekrényt ne telepítse nedves és poros környezetbe. A szellőzőnyílásokat ne takarja le.

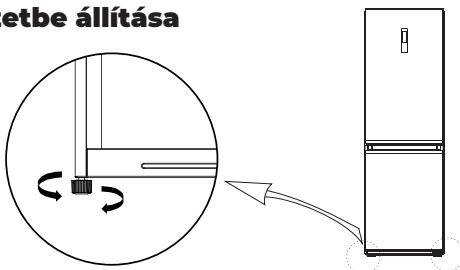
A hűtőszekrény zavarhatja a tévék és rádiók vételét. A hűtőszekrényt a tévétől és rádióktól telepítse távol.



A hűtőszekrény vízszintes helyzetbe állítása

A hűtőszekrény telepítési helyén, a csendes és megbízható üzemelés, a hűtőszekrény és fagyasztó ajtók megfelelő tömítése, az ajtók kényelmes nyitása és zárása érdekében, a készüléket vízszintes helyzetbe kell állítani.

A beállításhoz használja az állítható lábakat. Az állítható lábak óramutatóval azonos forgatásával a hűtőszekrényt megemeli, ellenkező irányú forgatásával leengedi.



Használatba vétel előtti tisztítás

Az első használatba vétel előtt, vagy ha a hűtőszekrényt régóta nem használta, akkor a belső felületeket és a tartozékokat (polcokat, fiókokat stb.) tiszta vízbe vagy ecetes vízbe mártott puha ruhával tisztítsa meg. A tisztításhoz ne használjon tisztítószereket, oldószereket, benzint stb., mert ezek maradandó sérüléseket okozhatnak a műanyag felületekben.

Stabilitási idő

Stabilitási idő

A telepítés és tisztítás után várjon legalább 2 órát a készülék bekapcsolásával. Eközben a hűtőközeg egyenletesen kitélti a hűtőrendszert.

Csatlakoztatás az elektromos hálózathoz

A hálózati vezeték csatlakoztassa egy szabályszerűen leföldelt fali aljzathoz. A készüléket le kell földelni. A készüléket csak a típuscímkén feltüntetett tápfeszültség értékeivel megegyező hálózathoz szabad csatlakoztatni. Szükség esetén forduljon az áramszolgáltatóhoz további információkért.

HASZNÁLAT

Hőmérséklet beállítása a hűtőszekrényben

A hűtőszekrény hőmérsékletének a beállításához egyszer nyomja meg a **FRIDGE** gombot.

A **FRIDGE** gomb nyomogatásával állítsa be a kívánt hőmérsékletet 2 és 8 °C között. A kijelzőn a beállított hőmérséklet látható. Várjon körülbelül 5 másodpercet, amíg a beállítás elmentődik a memóriába.

A hőmérsékletet az évszaktól, a helyiség átlagos hőmérsékletétől és a hűtőszekrényben tárolt élelmiszerek mennyiségétől függően állítsa be.

A hűtőszekrény belső hőmérséklete függ a környezeti hőmérséklettől, az ajtónyitás gyakoriságától és a hűtőszekrénybe rakott ételek hőmérsékletétől.

Ha a hűtőszekrényben zúzmara vagy jégréteg képződik, akkor növelje a hőmérsékletet.



Megjegyzés:

Mielőtt berakná az élelmiszereket a hűtőszekrénybe vagy a fagyasztóba, a készüléket legalább 2–3 órán keresztül (nyáron 4 órán keresztül) üzemeltesse, hogy a belső tér kellő mértékben lehűljön.

Hőmérséklet beállítása a fagyasztóban

A fagyasztó hőmérsékletének a beállításához egyszer nyomja meg a **FREEZER** gombot.

A **FREEZER** gomb nyomogatásával állítsa be a kívánt hőmérsékletet -16 és -24 °C között. A kijelzőn a beállított hőmérséklet látható. Várjon körülbelül 5 másodpercet, amíg a beállítás elmentődik a memóriába.

A hőmérsékletet az évszaktól, a helyiség átlagos hőmérsékletétől és a hűtőszekrényben tárolt élelmiszerek mennyiségétől függően állítsa be.

Szabadság üzemmód

A szabadság üzemmódot akkor érdemes használni, amikor hosszabb szabadságra utazik, vagy hosszabb ideig nem lesz otthon senki sem. Ebben az üzemmódban a készülék teljesítménye kisebb. A hűtő rész ki van kapcsolva, a fagyasztóban a készülék -18 °C-ot tart.

Nyomja be és tartsa benyomva 3 másodpercig a **FRIDGE** gombot, amíg a kijelzőn meg nem jelenik a szabadság üzemmód ikonja . A készülék átkapcsol szabadság üzemmódba.

Ha szeretné kikapcsolni a szabadság üzemmódot, akkor a **FRIDGE** gombot 3 másodpercig tartsa benyomva, amíg a szabadság  ikon el nem alszik. A készülék a korábban beállított hűtő és fagyasztó hőmérsékletekkel működik tovább.

A szabadság üzemmódot törölheti a hűtő rész hőmérsékletének (**FRIDGE** gomb), a fagyasztó rész hőmérsékletének (**FREEZE** gomb) a beállításával, vagy a **Super Cool/**

Super Frz gomb megnyomásával.

Gyors hűtés funkció

A gyors hűtés funkcióval a hűtő rész belső tere gyorsabban lehűthető.

Addig nyomogassa a **Super Cool/Super Frz.** gombot, amíg a kijelzőn meg nem jelenik a ✱ ikon. A hűtő rész hőmérséklete automatikusan 2 °C-ra áll be.

A készülék legfeljebb 6 órán keresztül működik gyors hűtés funkcióval, ezt követően ismét visszakapcsol a korábban beállított hőmérsékletre.

A gyors hűtés kikapcsolásához addig nyomogassa a **Super Cool/Super Frz.** gombot, amíg a ✱ ikon ki nem kapcsol.

Gyors fagyasztás funkció

A gyors fagyasztás funkcióval a belső tér gyorsabban lehűthető. Ezt a funkciót kell használni, ha nagyobb mennyiségű alapanyagot szeretne lefagyasztani.

Addig nyomogassa a **Super Cool/Super Frz.** gombot, amíg a kijelzőn meg nem jelenik a ✱ ikon. A fagyasztó rész hőmérséklete automatikusan -24 °C-ra áll be.

A készülék legfeljebb 24 órán keresztül működik gyors fagyasztás funkcióval, ezt követően ismét visszakapcsol a korábban beállított hőmérsékletre.


Ezt a hőmérsékletet nem lehet megváltoztatni, ezért a **FREEZER** gomb kikapcsol.

A gyors hűtés kikapcsolásához addig nyomogassa a **Super Cool/Super Frz.** gombot, amíg a ✱ ikon ki nem kapcsol.

Gyerekszár

A gyerekszár funkcióval a működtető panelen minden gombot zárolni lehet (a gombok megnyomásával nem lehet megváltoztatni a beállításokat).

Nyomja meg és tartsa benyomva a **Super Cool/Super Frz.** gombot 3 másodpercig, a gyerekszár bekapcsol. Sípszó hallatszik és a kijelzőn bekapcsol a gyerekszár  ikon.

A gyerekszár törléséhez a **Super Cool/Super Frz.** gombot 3 másodpercig tartsa benyomva. Sípszó hallatszik és a kijelzőn a gyerekszár ikon  elalszik.



Megjegyzés:

Ha egyetlen gombot sem nyom meg, akkor 30 másodperc múlva a működtető panel gombjai automatikusan leblokkolnak. A működtető panel feloldásához a **Super Cool/Super Frz** gombot 3 másodpercig tartsa benyomva. Minden gombnyomás után sípszó hallatszik.

Kijelző és működtető panel

Normál üzemmódban a kijelző felső részén a hűtőszekrényben, az alsó részén a fagyasztóban uralkodó hőmérséklet látható. A készülék első bekapcsolása után az alapértelmezett beállítások kapcsolnak be: 5 °C a hűtő és -18 °C a fagyasztó részben.

Az első bekapcsolás után a működtető panel 3 másodpercig bekapcsol. Majd átkapcsol normál megjelenítésre.

Ha egyetlen gombot sem nyom meg, akkor a működtető panel gombjai 30 másodperc múlva automatikusan leblokkolnak, a gombok blokkolása után 30 másodperc múlva a kijelző világítása is lekapcsol. A hűtőszekrény és a fagyasztó hőmérséklete azonban továbbra is látszik a kijelzőn.

Nyitott ajtóra figyelmeztető jel

Ha az ajtó 120 másodpercnél hosszabb ideig van nyitva, akkor erre sípszó figyelmezteti. A hangjelzés rendszeresen ismétlődik addig, amíg az ajtót be nem csukja.

Az élelmiszerek tárolása

A levegő a hűtőszekrényben cirkulál, emiatt a hűtőszekrény egyes részein eltérő a

hőmérséklet. A különböző élelmiszereket és alapanyagokat ezért a hűtőszekrény különböző részein kell tárolni.

A hűtőszekrénybe csak eredeti csomagolásukban, vagy más, hűtésre és tárolásra alkalmas csomagolásban rakja be az élelmiszereket és italokat, így megelőzheti a szagok beszívódását és az élelmiszerek szennyeződését.

A hűtőszekrény polcokon tárolja a főtt ételeket, az italokat, a tojást, a tejtermékeket stb. A fiókban tárolja a zöldségeket és gyümölcsöket. A fagyasztóban tárolja a fagyaltot, valamint a fagyasztott élelmiszereket és alapanyagokat stb.

Az élelmiszerek elhelyezése a hűtőszekrényben

Ajtópalcok	Italok, dzsemek, ízesítők (pl. mustár)
Gyümölcs / zöldségtároló fiók	Hűtőszekrényben tárolható gyümölcsök, zöldségek, zöldségfűszerek
Friss élelmiszer rekesz	Nyers húсок, szárnyas húсок, halak (rövid idejű tárolás)
Alsó polc	Tejtermékek, tojás
Középső és felső polcok	Kész ételek, felvágottak, főzést nem igénylő alapanyagok stb.
Fagyasztó fiókok	Hosszú ideig tárolható alapanyagok. Alsó fiók: nyers húсок, szárnyas húсок, halak Középső fiók: mirelit zöldségek, hasábburgonya Felső fiók: fagyalt, mirelit gyümölcsök, fagyasztott péksütemények

Jégkocka készítő A jégkocka készítőbe tiszta vizet töltsön be és tegye a készülék fagyasztó részébe.

Élelmiszerek és alapanyagok vásárlása

- Ne pazaroljon. Készítsen bevásárlási listát és csak kisebb mennyiségű alapanyagot vásároljon.
- Mindig ellenőrizze le a fogyaszthatóság dátumát.
- Ellenőrizze le a csomagolást, azon nem lehet sérülés.
- Gyümölcsöket és zöldségeket illat, tapintás és szemrevételezés, valamint a frissesség ellenőrzése nélkül ne vásároljon. Csak hibamentes csomagolású mirelit termékeket vásároljon.
- A fagyasztott élelmiszereket vásárolja meg legutoljára, és ezeket hőszigetelő táskában tárolja a fagyasztóba rakás előtt.
- A vásárláskor még az üzletben ellenőrizze le a mirelit alapanyag csomagolásának a sérülésmentességét.
- Tartsa be az alapanyag maximális tömegére vonatkozó előírást (amit 24 órán belül fagyasztani lehet). Ezt az adatot általában a típuscímké is tartalmazza. A fagyasztás ideje alatt lehetőleg minél ritkábban nyissa ki az ajtót.
- A fagyasztott alapanyagok behelyezése előtt ellenőrizze le, hogy a készülék belső terében a hőmérséklet már elérte-e a kívánt fagyasztási hőmérsékletet (különösen akkor, ha mirelit termékeket kíván tárolni). Ellenkező esetben a behelyezett mirelit termék felolvadhat és megromolhat.
- A készülékbe helyezés előtt a meleg alapanyagokat hűtse le.
- A friss alapanyagokat tegye zacskókba. A zacskókon tüntesse fel az alapanyag nevét, tömegét és a tárolás kezdeti dátumát. A zacskó felülete legyen teljesen száraz.

Az élelmiszerek tárolása

- Rendszeresen ellenőrizze le és időben használja fel a tárolt élelmiszereket.
- A gyakran fogyasztott élelmiszereket a polc elejére tegye. Így rövidebb ideig lesz nyitva az ajtó.
- A kiolvasztott élelmiszereket ismét megfagyasztani tilos.
- A kiolvasztott húst főzze vagy süssse meg.
- A hűtőszekrényben ne tároljon túl sok élelmiszert. Az élelmiszerek között legyen szabad hely a levegő áramlásához.
- A meleg ételeket hűtse le, mielőtt a hűtőszekrénybe rakná.
- Ne nyitogassa túl gyakran az ajtót.
- Csak hűtőszekrényben tárolható élelmiszereket tároljon a hűtő részben. Bizonyos gyümölcsöket és zöldségeket nem kell a hűtőszekrényben tárolni (pl. citrusfélék, paradicsom stb.).
- A fagyasztóba csak eredeti csomagolásukban, vagy más, fagyasztásra és tárolásra alkalmas csomagolásban rakja be az élelmiszereket és italokat, így megelőzheti a szagok beszívódását és az élelmiszerek szennyeződését.
- Az alapanyagokat ne tegye túl közel a hátsó falhoz. A túl sok vizet tartalmazó alapanyagok hozzáfagyhatnak a hátsó falhoz.
- A mélyhűtőbe ne tegyen folyadékokat tartalmazó üvegpalackokat vagy fém dobozokat. A palack vagy doboz tartalmának a térfogata a fagyasztás közben nagyobb lesz, ami a palack vagy doboz szétrobbanásához vezethet.

TISZTÍTÁS ÉS KARBANTARTÁS

A hűtőszekrényt tartsa tisztán. Az ételmaradványok a hűtőszekrényben kellemetlen szagokat képeznek. A polcokat és fiókokat havonta legalább egyszer törölje meg.

Rendszeres karbantartás

A hűtőszekrényből (a fagyasztó kivételével) vegyen ki minden tárolt élelmiszert, majd vegye ki a polcokat és fiókokat. A polcokat és fiókokat mosogatószeres meleg vízben kézzel mosogassa el, majd öblítse le, végül szárítsa meg.

A hűtőszekrény belső részét mosogatószeres vízbe mártott puha ruhával törölje meg. Majd törölje szárazra.

Az ajtószigetelést és az ajtó belső felét mosogatószeres meleg vízbe mártott és jól kicsavart puha ruhával törölje meg.

A hűtőszekrény külső felületét enyhén benedvesített (szükség esetén mosogatószeres vízbe mártott) ruhával törölje meg.

A hűtőszekrény hátsó részéről a port távolítsa el. A por és egyéb szennyeződések eltávolításához használhatja a porszívót is (kefés szívófejjel és kis szívási teljesítménnyel).



Figyelmeztetés!

A tisztításhoz ne használjon durva tisztítószereket, oldó- és higítószereket, benzint stb. A készüléket csak puha ruhával vagy szivaccsal tisztítsa. A készüléket drótszivaccsal, vagy más hasonló eszközzel ne tisztítsa, ezek maradandó sérülést okozhatnak a felületekben.

Leolvasztás

A készülék No-Frost funkciója biztosítja az automatikus leolvasztást. Ezért a fagyasztót nem kell manuálisan leolvasztani.



Figyelmeztetés!

A készüléket és a hálózati vezetéket vízbe vagy más folyadékba mártani, vagy folyóvíz alatt elmosni tilos.

A belső világítás cseréje

A hűtőszekrény belső részét világító LED lámpát csak márkaszerviz vagy villanszerelő szakember cserélheti ki. A lámpát ne cserélje ki saját erőből. Forduljon a márkaszervizhez. A termékbe épített fényforrás energiahatékonysági osztályba sorolása „G”.

A hűtőszekrény hosszabb ideig tartó kikapcsolása

Ha a készüléket hosszabb ideig nem fogja használni, akkor a hálózati csatlakozódugót húzza ki a fali aljzatból. A fentiek szerint tisztítsa meg a készülék belső részét és külső felületeit, valamint a tartozékokat.

Az ajtót hagyja nyitva, hogy ne legyen szagos a készülék belseje.

PROBLÉMAMEGOLDÁS

Probléma	Ok	Megoldás
A hűtőszekrény nem hűt.	A hálózati vezeték nincs a fali aljzathoz csatlakoztatva.	Dugja a csatlakozódugót ütközésig a fali aljzatba.
	A hálózati feszültség alacsony.	Forduljon villanszerelő szakemberhez vagy az áramszolgáltatóhoz.
	A kismegszakító lekapcsolt.	Ellenőrizze le a kismegszakítót és az áramvédő kapcsolót.
A belső térben kellemetlen szag van.	Az erős illatú élelmiszereket nem vagy rosszul csomagolta be.	Az erős illatú élelmiszereket alaposan csomagolja be, vagy tegye légmentesen lezárható edénybe (üvegbe).
	A hűtőszekrényben romlott élelmiszer van.	A romlott élelmiszereket dobja ki.
	A belső tér szennyezett.	A hűtőszekrényt tisztítsa ki.
A kompresszor folyamatosan üzemel.	Meleg (vagy forró) napokon normális, hogy a kompresszor folyamatosan üzemel. Ez normális jelenség.	
	A hűtőszekrényben sok az élelmiszer.	A hűtőszekrényt ne töltsse túl.
	Forró ételt rakott a hűtőszekrénybe.	Az ételeket előbb hűtse le szobahőmérsékletre.
	Az ajtót gyakran nyitogatja.	Az ajtót ritkábban, csak a szükséges ideig nyissa ki.

Probléma	Ok	Megoldás
A belső világítás nem kapcsolts be.	A készülék nincs bekapcsolva.	Kapcsolja be a hűtőszekrényt.
	A lámpa meghibásodott.	Cseréltesse ki a fényforrást.
Az ajtót nem lehet becsukni.	A berakott élelmiszerek akadályozzák az ajtó becsukását.	Igazítsa el az élelmiszereket.
	A készülék nincs vízszintbe állítva.	A készüléket állítsa vízszintbe.
Az ajtó tömítés nem tömít.	Az ajtó tömítése koszos.	Tisztítsa meg a tömítést.
	A tömítés deformálódott.	A tömítést óvatosan melegítse fel majd hűtse le, a tömítés felveszi az eredeti alakját. A tömítést meleg törülközővel vagy hajszárítóval melegítse fel.
A készülék alatt víz van.	A készülékben túl sok élelmiszer van, vagy az élelmiszerek sok vizet tartalmaznak, ami miatt a készülék gyakrabban leolvast.	Csökkentse az élelmiszerek mennyiségét a készülékben. Ne tároljon olyan élelmiszereket a készülékben, amelyek nem igényelnek hűtést.
	Rosszul van bezárva az ajtó.	Csukja be az ajtót.
A készülék külső felülete meleg.	A hűtőrendszer a készülék felületén keresztül adja le a meleget. Ez normális jelenség. Amennyiben a külső felület a magas környezeti hőmérséklet, vagy a sok hűtött élelmiszer miatt melegszik fel, akkor javasoljuk, hogy biztosítsa a készülék körül a levegő áramlását, a meleg felület hűtéséhez.	
A külső felületen vízcseppek jelentek meg.	A környezeti levegő páratartalma magas.	A készülék külső felületét száraz ruhával törölje le, csökkentse a levegő páratartalmát.
A hűtőszekrény furcsa hangot ad ki.	Berregő hang: a kompresszor működés közben berregő hangot adhat ki. A hang erősebb a kompresszor be- és kikapcsolása közben. Ez normális jelenség. Sivítő hang: a hűtőközeg keringése a rendszerben sivítő hangot hozhat létre. Ez normális jelenség.	

Ha a problémát a táblázatban leírtak szerint nem tudta megszüntetni, akkor a készüléket kapcsolja le és húzza ki a hálózati vezetékét a fali aljzatból, majd forduljon a vevőszolgálatunkhoz vagy a márkaszervizhez.

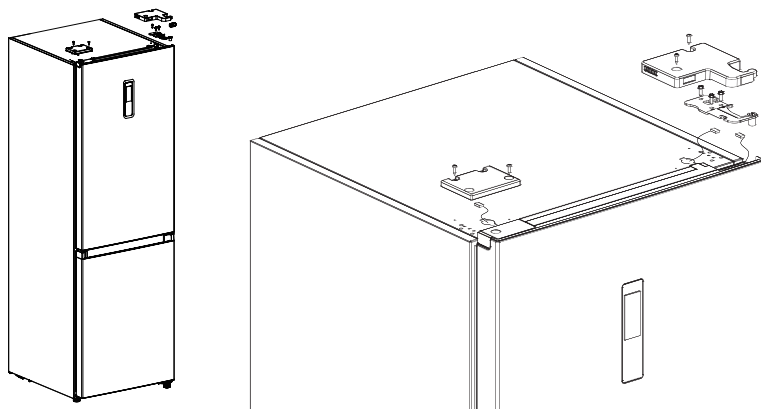
Hibaüzenetek

A készülék kijelzőjén megjelenő alábbi hibaüzenetek a készülék konkrét hibájára utalnak. Ha valamelyik hibaüzenet megjelenik a kijelzőn, akkor forduljon a márkaszervizhez.

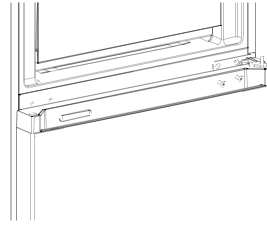
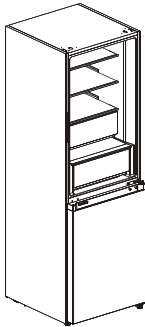
Hibaüzenet	Jelentés
E1	Hűtő rész hőmérő szenzor hiba.
E2	Fagyasztó rész hőmérő szenzor hiba.
E3	Friss élelmiszer fiók hőmérő szenzor hiba.
E5	Leolvasztás érzékelő áramköri hiba.
E6	Kommunikációs hiba.
E7	Környezeti hőmérséklet mérő szenzor hiba.

AZ AJTÓNYITÁS IRÁNYÁNAK A MEGVÁLTOZTATÁSA

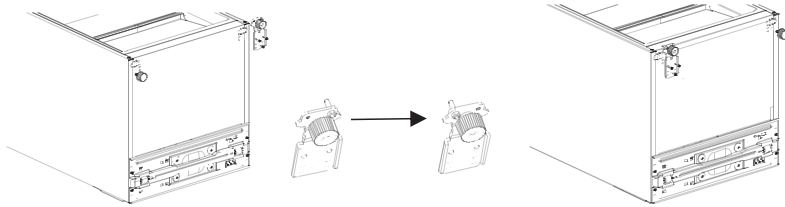
1. A készüléket kapcsolja le és az elektromos hálózatról is válassza le. Készítse elő a szükséges szerszámokat (kereszt csavarhúzó, lapos csavarhúzó, racsnis kulcs, ragasztószalag).
2. Az ajtópolcokból vegye ki az élelmiszereket és az ajtópolcokat szerelje ki.
3. A bal pánt burkolatát, a jobb pánt burkolatát vegye le, szerelje le a jobb pántot és bontsa meg az ajtókapcsoló vezeték csatlakozót.



4. Óvatosan vegye le a felső ajtót a készülékről. Tegye le valamilyen puha alátételre. Ügyeljen arra, hogy az apró alkatrészeket ne veszítse el (p. persely, ütköző).
5. Csavarozza ki a középső pánt csavarjait és a pántot vegye le. A bal középső pánt burkolatot vegye le és tegye át a jobb oldalra.

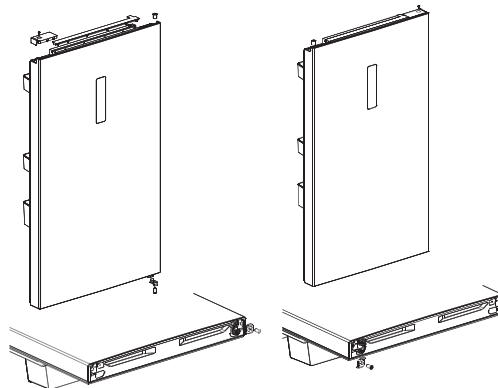


6. Óvatosan vegye le a fagyasztó ajtaját a készülékről. Tegye le valamilyen puha alátételre. Ügyeljen arra, hogy az apró alkatrészeket ne veszítse el (p. persely, ütköző).
7. Szerelje le a jobb oldali tartót és a bal állítható lábat. A jobb oldali tartót (a csappal együtt) szerelje át a bal oldalra. Az állítható lábat szerelje a jobb oldalra.



8. A hűtőszekrény ajtajának az előkészítése

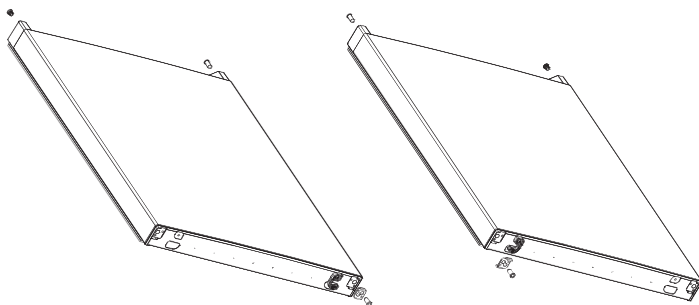
- Vegye le a felső burkolat takarólapját és a bal díszburkolatot. A felső tengely perselyét és az ajtókapcsoló bilincset szerelje át a másik oldalra, és a takarólappal fedje le. A tartozékok zacskójából vegye ki a jobb díszburkolatot és szerelje az ajtó felső részére.
- Az ajtó önzáró rendszert, az ütközőt és a tengely perselyt szerelje ki. A tartozékok zacskójából vegye ki a bal ajtó önzáró rendszert és szerelje fel az ajtó bal oldalára. Az ütközőt és a tengely perselyt a bal oldalra szerelje fel.



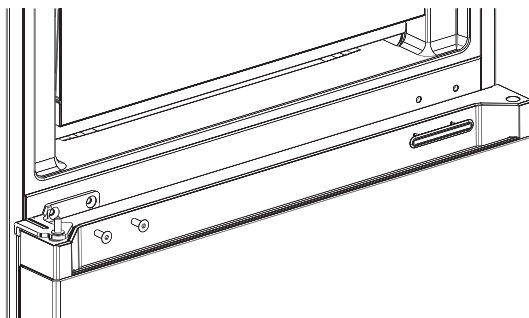
9. A fagyasztó ajtajának az előkészítése

- A tengely perselyt és a felső burkolatot vegye ki és szerelje át a másik oldalra.
- Az ajtó önzáró rendszert, az ütközőt és a tengely perselyt szerelje ki. A tartozékok zacskójából vegye ki a bal ajtó önzáró rendszert és szerelje fel az ajtó bal oldalára. Az

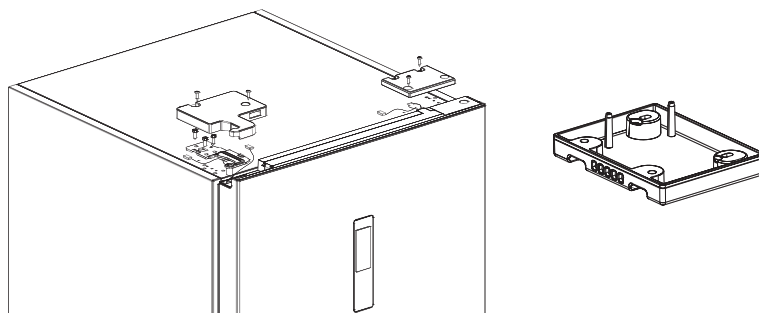
ütközőt és a tengely perselyt a bal oldalra szerelje át.



10. A fagyasztó ajtaját tegye az alsó pántra, állítsa be az ajtót és csavarozza be a középső pántot. Ügyeljen arra, hogy az ajtó mindenhol felfeküdjön és tömítsen (mielőtt meghúzná a középső pánt csavarjait). A szabad furatokba dugja be a díszdugókat.



11. A tartozékok zacskójából vegye ki a bal felső pántot és a bal felső burkolatot.
 12. A hűtőszekrény ajtaját tegye a középső pántra, állítsa be az ajtót és csavarozza fel a felső pántot. Ügyeljen arra, hogy az ajtó mindenhol felfeküdjön és tömítsen (mielőtt meghúzná a felső pánt csavarjait). Csatlakoztassa az ajtókapcsoló csatlakozóját. A díszburkolatot tegye a jobb oldalra (a pánt díszburkolat átszerelése során két kis büttyköt ki kell vágni), majd tegye fel a burkolatot.



Termékinformációs adatlap

A BIZOTTSÁG (EU) 2019/2016 FELHATALMAZÁSON ALAPULÓ RENDELETE a hűtőkészülékek energiacímkezéséről

A szállító neve vagy védjegye: Siguro

A szállító címe: PL - SIGURO, Jankovcova 1522/53 17000 Praha Holešovice Česká republika

Modellazonosító: SGR-BF-A241S

A hűtőkészülék típusa:

Alacsony zajkibocsátású készülék:	Nem	Kialakítás típusa:	szabadon álló
Bortároló készülék:	Nem	Egyéb hűtőkészülék:	Igen

Általános termékparaméterek:

Paraméter		Érték	Paraméter	Érték
Teljes méret (milliméter)	Magasság	2 010	Teljes térfogat (dm ³ vagy liter)	378
	Szélesség	595		
	Mélység	700		
EEL		41	Energiatartékonysági osztály	A
Levegőben terjedő akusztikus zajkibocsátás [1 pW-ra vonatkoztatott dB(A)]		29	A levegőben terjedő akusztikus zajkibocsátás osztálya	A
Éves energiafogyasztás (kWh/év)		113	Klímaosztály:	bővített mérsékelt, mérsékelt, szubtrópusi, trópusi
Az a környezeti hőmérsékleti minimum (°C), amelyre a hűtőkészülék alkalmas		10	Az a környezeti hőmérsékleti maximum (°C), amelyre a hűtőkészülék alkalmas	43
Téli üzemmód		Nem		

Rekeszparaméterek:

Rekeszparaméterek és -értékek				
Rekesztípus	Rekesztérfogat (dm ³ vagy liter)	Az élelmiszerek optimális tárolására szolgáló ajánlott hőmérséklet-beállítás (°C) Ezek a beállítások nem lehet-	Fagyasztókapacitás (kg/24 óra)	Defrosting type (auto-defrost=A, manual defrost=M)

			nek ellen- mondás- ban a IV. melléklet 3. táblázatában előírt tárolási fel- tételekkel.		
Kamra	Nem	-	-	-	-
Bortároló	Nem	-	-	-	-
Pincerekesz	Nem	-	-	-	-
Frissentartó	Igen	216,0	4	-	A
Hűtőrekesz	Igen	40,0	2	-	A
0-csillagos vagy jégké- szítés	Nem	-	-	-	-
1-csillagos	Nem	-	-	-	-
2-csillagos	Nem	-	-	-	-
3-csillagos	Nem	-	-	-	-
4-csillagos	Igen	122,0	-18	8,5	A
2-csillagos rész	Nem	-	-	-	-
Változtatható hőmér- sékletű rekesz	-	-	-	-	-
4-csillagos rekeszek esetében					
Gyorsfagyasztási lehetőség			Igen		
A fényforrás paraméterei:					
A fényforrás típusa			LED		
Energiahatékonysági osztály			G		
A gyártó által vállalt jótállás minimális időtartama: 36 hónap					
Kiegészítő információk:					
Internetes hivatkozás a gyártó honlapjára, ahol az (EU) 2019/2019 bizottsági rendelet mellékletének 4. a) pontjában foglalt információ megtalálható: www.siguro.cz					

Model placed on the Union market from 01/08/2024.



EPREL registration number: 2012521

<https://eprel.ec.europa.eu/qr/2012521>

Supplier: Alza.cz a.s. (Manufacturer)

Website: www.alza.cz

Customer care service:

Name: PL - SIGURO

Website: www.siguro.cz

Email: siguro@alza.cz

Phone: 225 340 111

Address:

Jankovcova 1522/53 17000 Praha Holešovice Česká republika

Termékinformációs adatlap

A BIZOTTSÁG (EU) 2019/2016 FELHATALMAZÁSON ALAPULÓ RENDELETE a hűtőkészülékek energiacímkzéséről

A szállító neve vagy védjegye: Siguro

A szállító címe: PL - SIGURO, Jankovcova 1522/53 17000 Praha Holešovice Česká republika

Modellazonosító: SGR-BF-A241Y

A hűtőkészülék típusa:

Alacsony zajkibocsátású készülék:	Nem	Kialakítás típusa:	szabadon álló
Bortároló készülék:	Nem	Egyéb hűtőkészülék:	Igen

Általános termékparaméterek:

Paraméter	Érték	Paraméter	Érték
Teljes méret (milliméter)	Magasság	Teljes térfogat (dm ³ vagy liter)	378
	Szélesség		
	Mélység		
EEL	41	Energiahatékonysági osztály	A
Levegőben terjedő akusztikus zajkibocsátás [1 pW-ra vonatkoztatott dB(A)]	29	A levegőben terjedő akusztikus zajkibocsátás osztálya	A
Éves energiafogyasztás (kWh/év)	113	Klímaosztály:	bővített mérsékelt, mérsékelt, szubtrópusi, trópusi
Az a környezeti hőmérsékleti minimum (°C), amelyre a hűtőkészülék alkalmas	10	Az a környezeti hőmérsékleti maximum (°C), amelyre a hűtőkészülék alkalmas	43
Téli üzemmód	Nem		

Rekeszparaméterek:

Rekeszparaméterek és -értékek			
Rekesztípus	Rekesztérfogat (dm ³ vagy liter)	Az élelmiszerek optimális tárolására szolgáló ajánlott hőmérséklet-beállítás (°C) Ezek a beállítások nem lehet-	Fagyasztókapacitás (kg/24 óra)
			Defrosting type (auto-defrost=A, manual defrost=M)

			nek ellen- mondás- ban a IV. melléklet 3. táblázatában előírt tárolási fel- tételekkel.		
Kamra	Nem	-	-	-	-
Bortároló	Nem	-	-	-	-
Pincerekesz	Nem	-	-	-	-
Frissentartó	Igen	216,0	4	-	A
Hűtőrekesz	Igen	40,0	2	-	A
0-csillagos vagy jégké- szítés	Nem	-	-	-	-
1-csillagos	Nem	-	-	-	-
2-csillagos	Nem	-	-	-	-
3-csillagos	Nem	-	-	-	-
4-csillagos	Igen	122,0	-18	8,5	A
2-csillagos rész	Nem	-	-	-	-
Változtatható hőmér- sékletű rekesz	-	-	-	-	-
4-csillagos rekeszek esetében					
Gyorsfagyasztási lehetőség			Igen		
A fényforrás paramétere:					
A fényforrás típusa			LED		
Energiahatékonysági osztály			G		
A gyártó által vállalt jótállás minimális időtartama: 36 hónap					
Kiegészítő információk:					
Internetes hivatkozás a gyártó honlapjára, ahol az (EU) 2019/2019 bizottsági rendelet mellékletének 4. a) pontjában foglalt információ megtalálható: www.siguro.cz					

Model placed on the Union market from 01/08/2024.



EPREL registration number: 2012730

<https://eprel.ec.europa.eu/qr/2012730>

Supplier: Alza.cz a.s. (Manufacturer)

Website: www.alza.cz

Customer care service:

Name: PL - SIGURO

Website: www.siguro.cz

Email: siguro@alza.cz

Phone: 225 340 111

Address:

Jankovcova 1522/53 17000 Praha Holešovice Česká republika

ENGLISH

The use of the WEEE Symbol indicates that this product should not be treated as household waste. By ensuring this product is disposed of correctly, you will help protect the environment. For more detailed information about the recycling of this product, please contact your local authority, your household waste disposal service provider, or the shop where you purchased the item.

This product meets all of the related basic EU regulation requirements. The EU declaration of conformity is available on www.alzashop.com/doc.

This product sold in the European Union meet the requirements of Directive 2011/65/EU on the restriction of the use of certain hazardous substances in electrical and electronic equipment (RoHS).

DEUTSCH

Das WEEE-Symbol weist darauf hin, dass dieses Produkt nicht als normaler Haushaltsabfall behandelt werden darf. Indem Sie sicherstellen, dass dieses Produkt ordnungsgemäß entsorgt wird, tragen Sie zum Schutz der Umwelt bei. Für detailliertere Informationen zum Recycling dieses Produkts wenden Sie sich bitte an Ihre lokale Behörde, Ihren Hausmüllentsorgungsdienstleister oder das Geschäft, in dem Sie das Produkt erworben haben. Dieses Produkt erfüllt alle relevanten EU-Vorschriften. Die EU-Konformitätserklärung ist unter www.alzashop.com/DoC einsehbar.

Dieses in der Europäischen Union verkaufte Produkt erfüllt die Anforderungen der EU Richtlinie 2011/65/EU zur Beschränkung der Verwendung bestimmter gefährlicher Stoffe in Elektronikgeräten (RoHS).

ČESKY

Použití symbolu WEEE označuje, že tento výrobek nesmí být považován za domovní odpad. Zajištěním správné likvidace tohoto výrobku pomůžete chránit životní prostředí. Pro podrobnější informace o recyklaci tohoto výrobku se prosím obraťte na místní úřad zabývající se likvidací domovního odpadu, poskytovatele služby zabývající se likvidací domovního odpadu

nebo obchod, kde jste produkt zakoupili. Tento výrobek splňuje veškeré základní požadavky směrnic EU. EU prohlášení o shodě je k dispozici na www.alzashop.com/doc.

Tento výrobek prodávaný v Evropské unii splňuje požadavky směrnice 2011/65/EU omezující používání některých nebezpečných látek v elektrických a elektronických zařízeních (RoHS).

SLOVENSKY

Použitie symbolu WEEE označuje, že tento výrobok sa nesmie likvidovať s komunálnym odpadom. Ak výrobok správne zlikvidujete, prispějete k ochrane životného prostredia. Podrobnejšie informácie o recyklácii výrobku získate na miestnom zastupiteľstve, u poskytovateľov služieb likvidácie domového odpadu alebo v predajni, v ktorej ste výrobok zakúpili.

Tento výrobok spĺňa všetky základné požiadavky smerníc EÚ. EÚ Vyhlásenie o zhode je k dispozícii na www.alzashop.com/doc.

Tento výrobok, predávaný v Európskej únii, spĺňa požiadavky smernice 2011/65/EU obmedzujúce používanie niektorých nebezpečných látok v elektrických a elektronických zariadeniach (RoHS).

MAGYAR

A WEEE szimbólum azt jelzi, hogy ez a termék nem kezelhető háztartási hulladékként. A termék helyes megsemmisítésének biztonságával segít védeni a környezetet. A termék újrahasznosításával kapcsolatos részletesebb információkért, kérjük, forduljon a helyi hatóságokhoz, a háztartási hulladékkezelő szolgáltatóhoz vagy a bolthoz, ahol a terméket megvásárolta. Ez a termék megfelel az összes rá vonatkozó EU-s szabályozási követelménynek. Az EU megfeleléségi nyilatkozata a www.alzashop.com/DoC címen érhető el. Az Európai Unióban értékesített termékek megfelelnek az elektromos és elektronikai berendezésekben való egyes veszélyes anyagok használatának korlátozására vonatkozó 2011/65/EU (RoHS) irányelvnek.

R20240514



SIGURO

Alza.cz a.s., Jankovcova 1522/53, 170 00 Prague 7, Czech Republic
© 2024 Alza.cz a.s. All Rights Reserved.

www.siguro.net