

# SENCOR®

## SRM 1600WH



RICE COOKER

Translation of the original manual

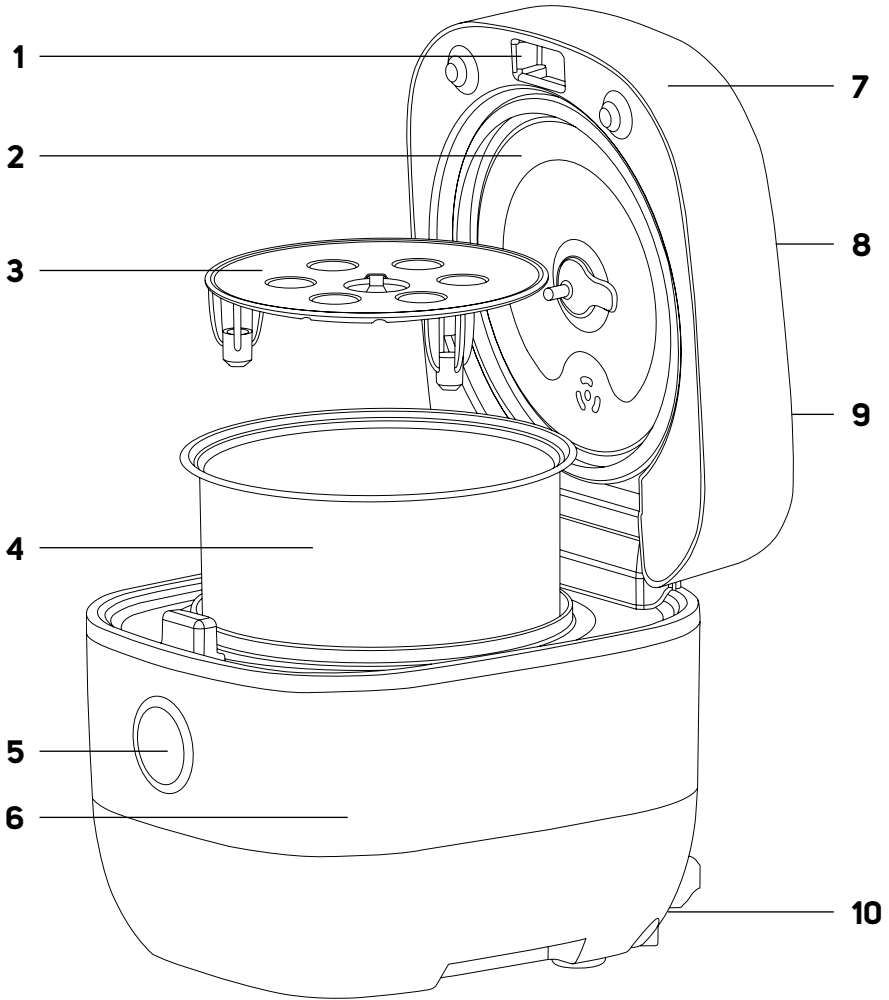


**SENCOR®**

**SRM 1600WH**



**A**



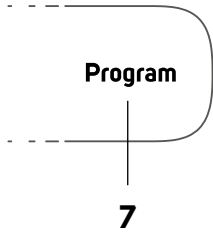
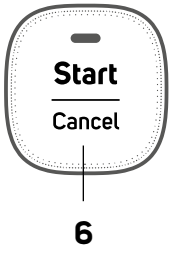
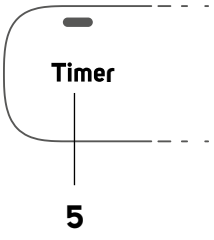
**B**



- 2
- Quick Rice —
  - Steam —
  - Soup | Porridge —



- 2
- Beans | Legumes —
  - Reheat —
  - Keep Warm —



## **IMPORTANT SAFETY INSTRUCTIONS**

### **READ CAREFULLY AND STORE FOR FUTURE USE.**

- This appliance may be only used by children aged 8 years and older and by persons with physical, sensory or mental impairments or lack of experience and knowledge, if they are supervised or have been instructed on the safe use of the appliance and understand the potential hazards.
- Children must not play with the appliance.
- Cleaning and user maintenance shall not be done by children unless they are older than 8 years and supervised.
- Children under 8 years of age must be kept away from the appliance and its power cord.
- Keep the appliance and its power cord out of reach of children younger than 8 years of age.
- If the power cord is damaged, have it replaced in a professional service centre in order to prevent a dangerous situation. Never use the appliance if the power cord is damaged.
- Do not immerse the appliance in liquid when cleaning it.
- Use the appliance only with the supplied power cable. Do not use any other power cable, and do not use the supplied power cable to power any other appliance.
- Wash the cooking pot, spatula, measuring cup, and steaming attachment in warm water with a little dishwashing detergent. Rinse in clean water and wipe dry.

- When filling the cooking pot with water and ingredients, make sure the level does not exceed the maximum mark.
- This appliance is not intended for operation through an external timer switch or a remote control.
- This appliance is designed for household use only. It is also suitable for personal non-commercial use in spaces such as:
  - kitchenettes in shops, offices and other workplaces;
  - spaces in agriculture;
  - hotels, motels, and other residential areas where guests may use it;
  - bed and breakfast establishments.



**Warning:**

Prevent the plug from getting wet.



**Warning:**

Improper use may result in potential injury.

- The surface of the heating element contains residual heat after use.



**Caution:**

Hot escaping steam!

Take extra care not to scald yourself with escaping steam.

---

**Additional Important Safety Instructions for Use of the Appliance**

- Before connecting the appliance to the mains socket, ensure that the voltage stated on its rating plate matches the voltage in the socket.
- Connect the appliance only to a properly earthed socket. Do not use an extension cord.
- Never connect the appliance to a mains socket until it is fully assembled.
- Before use, fully extend the power cord.
- Do not connect or disconnect the appliance power cord to or from the mains socket with wet hands.
- Ensure that the plug of the power cord does not come into contact with water or moisture.

- Do not disconnect the appliance from the mains socket by pulling on the power cord. This could damage the power cord or the mains socket. Disconnect the cable from the socket by pulling on the plug of the power cord.
- Do not place heavy objects on the power cord. Ensure that the power cord does not hang over the edge of the table or touch hot surfaces or sharp objects.
- To avoid the risk of electric shock, never immerse the appliance casing, power cable or plug in water or any other liquid.
- Always switch off and unplug the appliance after use, when left unattended, before moving, cleaning or other maintenance and handling.
- This appliance is designed for cooking various types of rice, slow cooking, stewing dishes, or preparing soups and porridges. Do not use it for any other purposes than those for which it was designed.
- Use the appliance only with the original accessories supplied with it. The use of non-original accessories can lead to a dangerous situation.
- Do not use the appliance if it malfunctions, has been dropped on the floor, immersed in water or damaged in any way. Take it to an authorised service centre for inspection or repair.
- Do not switch on the appliance when it is empty.
- Do not place any objects between the heating plate inside the appliance and the removable cooking pot. Ensure that the outer bottom of the cooking pot is clean and dry before placing it into the appliance.
- Only the cooking pot is intended for food preparation. Do not pour water or place food directly inside the appliance.
- Use the appliance only on a flat, dry, clean, stable and heat-resistant surface.
- Do not place the appliance on the edge of a table, on the sink draining board, on unstable, tilted or uneven surfaces, on or near electric or gas cookers and other heat sources.
- Do not use the appliance on a heat-sensitive surface as it may damage the surface.
- There must be adequate space above and around the pot to allow the air to circulate when in use. Do not cover or block the ventilation openings of the appliance.
- Make sure that the steam exhaust outlet does not point towards heat-sensitive materials, yourself or others. Hot steam may cause severe scalding.
- Do not touch areas where hot steam escapes; there is a risk of burns and scalds.
- Allow the appliance to cool completely before cleaning.
- Use oven mitts when removing the cooking pot after cooking.
- Exercise extreme caution when moving the appliance if it contains hot food and liquids.
- Use plastic or wooden kitchen tools for stirring and scooping food, as metal tools can damage the surface of the cooking pot.
- Clean the appliance regularly after each use according to the instructions in the Cleaning and Maintenance section. Follow all instructions in this section.
- No part of the appliance is dishwasher safe.
- Do not use the appliance if any part of it is damaged, cracked or not working properly. Contact an authorised service centre.
- To avoid the danger of injury by electrical shock, do not repair the appliance yourself or make any adjustments to it. Have all repairs or adjustments of the appliance performed at an authorised service centre. Tampering with the appliance during the warranty period may void the warranty.

### Prevention of Household Accidents

- Hot or boiling liquids pose a significant risk to children, and even minor burns can be serious. Observe basic household injury prevention rules and exercise increased caution when children are near hot or boiling liquids. If necessary, explain to children the risks associated with hot or boiling liquids.
- In the event of burns or scalds, immediately rinse the affected area under a stream of cold water and seek medical assistance if required.

### EXPLANATION OF SYMBOLS PLACED ON THE PRODUCT OR IN THE ACCOMPANYING DOCUMENTATION



This product meets all the basic requirements of the applicable EU directives.



This symbol on products or accompanying documents means that used electric or electronic products must not be added to ordinary municipal waste.

- Thank you for purchasing our SENCOR product; we hope it will serve to your satisfaction.
- Prior to using this appliance, please read the user manual thoroughly, even in cases when you are already familiar with the use of similar types of appliances. Use the appliance only as described in this user manual. Keep the manual for future reference. If you pass the appliance on to another person, ensure that this user manual is included.
- Carefully unpack the appliance and make sure not to discard any part of the packaging material until you have removed all its components. It is recommended that you keep the original packaging, packing material, receipt and confirmation of the extent of the seller's liability or warranty certificate at least for the duration of the legal right to file a defect claim or the quality warranty. When transporting the appliance, we recommend repackaging it in the original box provided by the manufacturer.

### DESCRIPTION OF THE RICE COOKER

- |                               |   |
|-------------------------------|---|
| <b>A1</b> Flap valve          | <b>A7</b> Rice cooker lid                           |
| <b>A2</b> Removable inner lid | <b>A8</b> Control panel                             |
| <b>A3</b> Steam attachment    | <b>A9</b> Steam outlet                              |
| <b>A4</b> Cooking pot         | <b>A10</b> Power cable socket (located at the rear) |
| <b>A5</b> Lid open button     |   |
| <b>A6</b> Rice cooker body    |   |

**Without illustration:** rice measuring cup, rice spatula, power cord

### DESCRIPTION OF THE CONTROL PANEL

- |                              |                                      |
|------------------------------|--------------------------------------|
| <b>B1</b> Button –           | <b>B5</b> <b>Timer</b> button        |
| <b>B2</b> Cooking mode icons | <b>B6</b> <b>Start/Cancel</b> button |
| <b>B3</b> Numeric display    | <b>B7</b> <b>Program</b> button      |
| <b>B4</b> <b>+</b> button    |                                      |

### INTENDED USE

The Sencor SRM 1600WH rice cooker is designed for cooking various types of rice, for stewing dishes or for preparing soups or porridge.

### BEFORE FIRST USE


- Before first use, remove the appliance and its accessories from the packaging and discard all promotional labels and tags. Check that neither the appliance nor any of its components is damaged.
- Press the button to open the lid and remove the cooking pot.
- Wash the cooking pot, spatula, measuring cup, and steaming attachment in warm water with a little dishwashing detergent. Rinse in clean water and wipe dry.
- Before placing the cooking pot back into the rice cooker, ensure that the outer bottom of the pot is clean and dry.
- Wipe the outer surface of the rice cooker and the heating element with a slightly damp sponge and wipe dry.

### Installation Location

- Place the rice cooker horizontally on a firm, dry, and flat surface, such as a kitchen worktop. Ensure there is enough space around the rice cooker, at least 10 cm on each side and 50 cm above the appliance lid.
- Keep the rice cooker at a sufficient distance from heat and moisture-sensitive materials (e.g., curtains or drapes), other appliances, heat sources (e.g., stoves or heaters). Do not expose the rice cooker to direct sunlight.

## OPERATION

### Standard use

1. Press the button to open the lid and place rice or food you want to prepare into the cooking pot. Wipe any spilled water or other liquids from the edge of the cooking pot.
2. Close the lid and press gently until you hear a click.
3. Insert the connector of the power cable into the socket at the rear of the rice cooker and insert the plug into the power socket. You will hear a beep and the control panel will light up.
4. Press the **Program** button repeatedly to select one of the preset cooking modes. The icon of the selected program will light up.
5. For selected programs, the cooking time can be adjusted – follow the instructions below.
6. Press the **Start/Cancel** button and the selected mode will start. Depending on the selected program, the preparation time or moving segments of the  icon will be shown on the numeric display.
7. Once cooking is complete, you will hear a sound (1 long beep) and the rice cooker will automatically switch to Keep Warm mode. The **Keep Warm** icon will light up. The numeric display will show the amount of time the rice cooker has been in Keep Warm mode.
8. Press the **Start/Cancel** button to cancel Keep Warm mode.
9. Press the button to open the lid and remove the cooking pot. Always use oven mitts when taking out the pot. The cooking pot and its contents are very hot.
10. Clean the rice cooker according to the instructions in the CLEANING AND MAINTENANCE section.



### Caution:

Be careful when opening the lid to avoid being scalded by the escaping steam. We recommend holding the lid from the rear before pressing the button to open the lid. Allow the steam to escape before fully opening the lid.



### Note:

We recommend stirring the cooked rice after completion to prevent it from sticking and to keep it moist.

### Rice cooker programs

Preparation programme	Default cooking time	Adjusted cooking time	Delayed start	Keep Warm function
Quick Rice	00:26 (preliminary time)	No	Yes	Yes
Steam	0:30	Yes (0:05–1:00)	Yes	
Soup/ Porridge	2:00	Yes (1:00–4:00)	Yes	
Beans/ Legumes	0:40	Yes (0:20–1:00)	Yes	
Reheat		No	No	No



### Note:

The cooking time for each program may vary slightly as it is calculated automatically based on the amount of rice and water added.

### Adjusted cooking time

1. Select a program for which the cooking time can be adjusted – see the table above.

- Use the **+/-** buttons to adjust the cooking time. Each press of the button extends or shortens the cooking time by 5 minutes. Pressing and holding the button speeds up the cooking time adjustment. You can set the preparation time in the range from 5 minutes to 4 hours (depending on the selected programme – see the rice cooker programme table above).
- When the cooking time has been adjusted, press the **Start/Cancel** button to start the rice cooker.



### Note:

During use, white spots, slight discolouration and possibly small stains may form on the surface of the cooking pot due to water quality, high temperature and other conditions. This is a normal occurrence and does not affect the proper functioning of the appliance.

### Delayed start

- This function allows you to postpone the start time so the food finishes cooking after the time you set. The delayed start time thus includes the cooking time.
- Select the cooking programme and adjust its cooking time as necessary.
  - Press the **Timer** button.
  - Use the **+/-** buttons to set the delayed start time up to 24:00. Each time you press the button, the delayed start time is extended or shortened by 10 minutes. Press and hold the button to speed up the delay start time adjustment.
  - Press the **Start/Cancel** button to start counting down from the time you have set.
  - Depending on the selected mode and the set cooking time and delayed start time, the rice cooker will start at a certain point.
    - The Delayed Start function is not available for Reheat.
    - If you need to cancel delayed start, press the **Start/Cancel** button.
    - Do not use this function when using fresh ingredients (e.g. milk, eggs, etc.). They may spoil.
    - In summer months, it is recommended to set the delay start time to a maximum of 8 hours to avoid the deterioration of the used ingredients.

### Keep Warm

- Keep Warm is available for all programs except Reheat and is automatically activated when cooking is completed. The time elapsed since switching to Keep Warm mode is shown on the display.
- This mode ensures that the prepared dish remains warm, and therefore the rice cooker will regularly reheat it to the optimum temperature.
- If you need to switch it on manually, press the **Start/Cancel** button and the rice cooker will start.
- The maximum Keep Warm time is 12 hours. After that, the rice cooker turns off.
- If you need to cancel the temperature retention mode, press the **Start/Cancel** button again.

### CLEANING AND MAINTENANCE

- Before cleaning, disconnect the power plug from the mains socket and allow the appliance to cool down.
- Do not use abrasive cleaning agents, solvents, etc. to clean any parts of the appliance, as these could damage the surface. None of the components of this appliance are dishwasher safe.



### Caution:

To prevent the risk of electric shock, do not immerse the appliance, power cable, or plug into water or any other liquid.

### Cooking pot and other accessories

- Wash the cooking pot, spatula, measuring cup, and steaming attachment in warm water with a little dishwashing detergent. Rinse in clean water and wipe dry.
- If ingredients are burnt onto the bottom of the cooking pot, pour warm water into it and add a little dishwashing detergent. Let it soak and then wash.
- Before placing the cooking pot back into the rice cooker, ensure that the outer bottom of the pot is clean and dry.

### Outer surface

- Wipe the outer surface of the rice cooker and the heating element with a slightly damp sponge and wipe dry.

### Inner lid

- Open the lid and grasp the inner lid by its silicone centre and remove it from the rice cooker.
- Wash the inner lid and seal in warm water with a little dish washing detergent. Rinse in clean water and wipe dry.
- Wipe the area where the inner lid is located using a dry cloth.
- Put the inner lid back on. Press gently until you hear a click.

### Storage

- If you are not going to use the appliance for an extended period of time, disconnect the plug from the mains socket, allow the appliance to cool down, and clean it according to the instructions in the "Cleaning and Maintenance" section.
- Before storing, ensure that the appliance and all accessories are thoroughly clean and dry.
- Store the appliance in a dry, clean, and well-ventilated place away from extreme temperatures and out of the reach of children or pets.

### TROUBLESHOOTING

Problem	Possible cause	Solution
Rice is not cooked, it is overcooked or undercooked.	Too long or too short cooking time.	Measure the water to rice ratio well so that the cooking time is set correctly.
	Incorrect rice to water ratio.	
	The cooking pot is not positioned correctly.	Turn the container so that it sits correctly on the heating element.
	There is a foreign object between the cooking pot and the heating element.	Remove foreign object.
	The cooking pot is deformed.	Purchase a new cooking pot.
The contents of the pot overflowed.	Motherboard failure.	Contact an authorised service centre.
	Sensor malfunction.	
The control panel is off.	There is too much liquid in the pot.	Reduce the amount of liquid.
The control panel is off.	The power plug is not plugged into the socket.	Insert the power plug into the power socket.
The surface of the inner container has changed colour with use.	This is a normal occurrence and does not affect the proper functioning of the appliance. During use, white spots, slight discolouration and possibly small stains may form on the surface of the cooking pot due to water quality, high temperature and other conditions.	
No voltage is present in the socket.	Plug the rice cooker into a different socket, check the circuit breaker or contact your electricity supplier to see if there has been an outage.	

The heating element is not heating.	Motherboard failure.	Contact an authorised service centre.
	The fuse is burned out.	
	Heating element failure.	
The control panel is lit, but the heating element is not heating.	Motherboard failure.	Contact an authorised service centre.
	Heating element failure.	

### Disposal in other countries outside the European Union

To dispose of this product elsewhere, request the necessary information on the correct disposal method from local authorities or your retailer.

Changes to text and technical parameters are reserved.



#### Note:

If the above problem persists or is not listed, stop using the rice cooker and contact an authorised service centre.

## TECHNICAL SPECIFICATIONS

Rated voltage range.....220–240 V~  
 Rated frequency.....50-60 Hz  
 Rated input power.....390 W  
 Maximum filling volume of the cooking pot .....1.6 l

### Values Provided according to Commission Regulation EU 2023/826

Off Mode	
Power consumption in off mode	0.2 W
Time needed for the equipment to automatically reach off mode	0 min
Standby Mode	
Power consumption in standby mode	–
Time needed for the equipment to automatically reach standby mode	–
Networked Standby Mode (Wi-Fi)	
Power consumption in networked standby	–
Time needed for the equipment to automatically reach networked standby mode	–

## INSTRUCTIONS AND INFORMATION ON DISPOSAL OF USED PACKAGING MATERIAL

Dispose of used packaging material at the designated municipal waste disposal site.

## DISPOSAL OF USED ELECTRICAL AND ELECTRONIC EQUIPMENT

Used electrical and electronic products must not be disposed of in ordinary municipal waste. To enable the proper disposal, renewal and recycling of these products, deliver them to the designated collection points. Alternatively, in some European Union states or other European countries the products can be returned to the local retailer when buying an equivalent new product. By disposing of this product correctly, you help to conserve valuable natural resources and prevent any potential adverse impact on the environment and human health that could result from improper waste disposal. For more details, contact your local authority or nearest collection point. Fines may be imposed for the improper disposal of this type of waste as per national regulations.

### For business entities in European Union States

If you wish to dispose of electrical and electronic equipment, please request the necessary information from your retailer or supplier.