



Hewlett Packard
Enterprise

HPE OfficeConnect 1920S Switch Series

Quick Start Guide



* 5 2 0 0 - 2 8 6 9 *

Part Number: 5200-2869
Published: December, 2016
Edition: 1

Notices

The information contained herein is subject to change without notice. The only warranties for Hewlett Packard Enterprise products and services are set forth in the express warranty statements accompanying such products and services. Nothing herein should be construed as constituting an additional warranty. Hewlett Packard Enterprise shall not be liable for technical or editorial errors or omissions contained herein.

Confidential computer software. Valid license from Hewlett Packard Enterprise required for possession, use, or copying. Consistent with FAR 12.211 and 12.212, Commercial Computer Software, Computer Software Documentation, and Technical Data for Commercial Items are licensed to the U.S. Government under vendor's standard commercial license.

Links to third-party websites take you outside the Hewlett Packard Enterprise website. Hewlett Packard Enterprise has no control over and is not responsible for information outside the Hewlett Packard Enterprise website.

Applicable products

HPE OfficeConnect 1920S 8G Switch	JL380A
HPE OfficeConnect 1920S 24G 2SFP Switch	JL381A
HPE OfficeConnect 1920S 48G 4SFP Switch	JL382A
HPE OfficeConnect 1920S 8G PPOE+ 65W Switch	JL383A
HPE OfficeConnect 1920S 24G 2SFP PPOE+ 185W Switch	JL384A
HPE OfficeConnect 1920S 24G 2SFP PoE+ 370W Switch	JL385A
HPE OfficeConnect 1920S 48G 4SFP PPOE+ 370W Switch	JL386A

Contents

- HPE OfficeConnect 1920S Switch Series..... 4**
 - Example: Initial Switch Configuration.....7
 - SFP Installation Notes..... 8

- Warranty and regulatory information..... 10**
 - Safety Precautions..... 10
 - Installation Precautions..... 10
 - Regulatory and Safety Information..... 10
 - 1920S Switch Series Information — Regulatory and Safety..... 11
 - Documentation feedback..... 16

HPE OfficeConnect 1920S Switch Series

The switch drawings in this document are for illustration only and may not match your particular switch model.

For more detailed instructions and information to set up your switch, view or download the *Installation and Getting Started Guide* for your switch at <http://www.hpe.com/support/hpesc>.

NOTE:

The HPE OfficeConnect 1920S Switch Series 8-port, 24-port, and 48-port non-PoE+ models have a fan-free design, making them quiet for office deployments. A warmer than normal enclosure is a standard state of operation for a fan-free switch.

Although the top of the switch enclosure may feel warm to the touch, it has no effect on functionality or performance of the product.

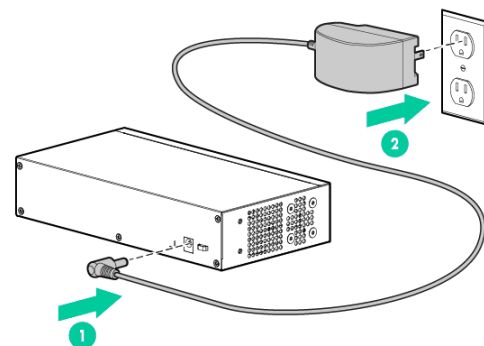
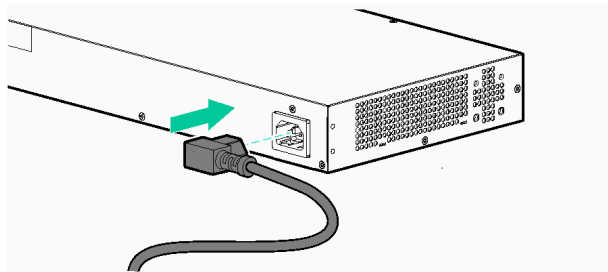
1. Unpack and check included parts.

- Documentation kit
 - Switch
 - Accessory kit (installation hardware)
 - AC power cord for HPE 1920S-24G, 1920S-24G-PPoE+, 1920S-24G-PoE+, 1920S-48G, and 1920S-48G-PPoE switch models or DC external power adapter for 1920S-8G and 1920S-8G-PPoE+ switch models
-

2. Prepare for installation. To avoid personal injury or product damage, review the Safety Precautions.

3. Power-on and verify that Self-Test completes normally.

For the 1920S-24G, 1920S-24G-PPoE+, 1920S-24G-PoE+, 1920S-48G, and 1920S-48G-PoE+ switches, first connect the power cord to the power connector at the back of the switch. Then, connect the other end of the power cord into an electrical outlet. For the 1920S-8G and 1920S-8G-PoE+ switches, connect the AC/DC adapter power cord to the power connector at the back of the switch. Then plug the AC/DC power adapter into an electrical outlet.



4. Mount the switch.

Unplug the AC or DC power from the switch before mounting it.

Rack Mounting: To attach the accessory kit brackets to the switch, use the eight 8-mm M4 screws and a #1 Phillips (cross-head) screwdriver. Then secure the brackets to the rack by using the four number 12-24 screws.

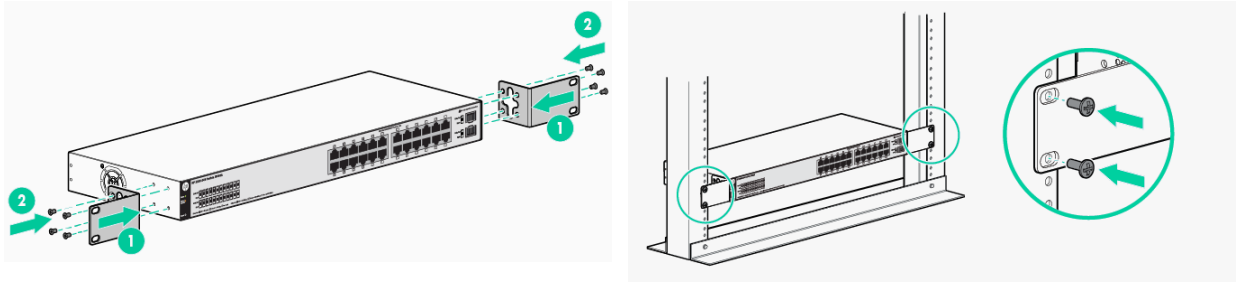
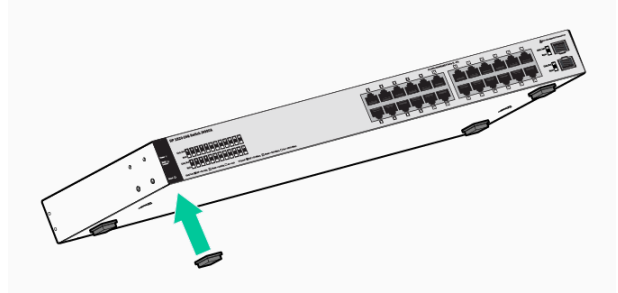


Table or Desktop Mounting: Attach the four self-adhesive pads (included in the accessory kit) to the bottom corners of the switch.

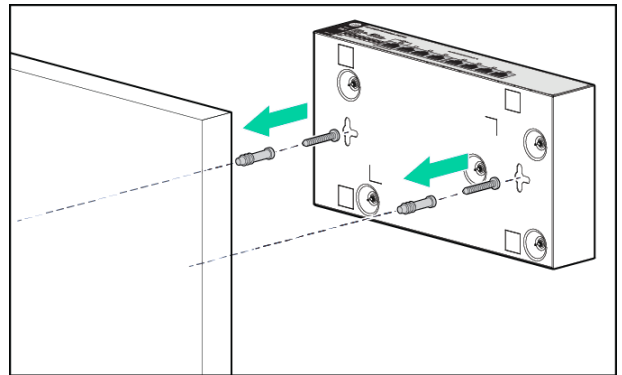
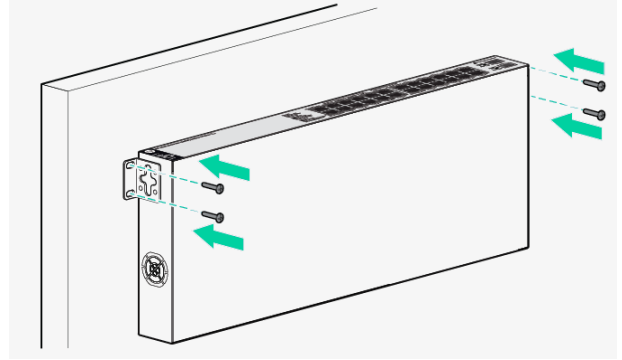


Wall or Under-table Mounting: To mount the 1920S-24G, 1920S-24G-PPoE+, 1920S-24G-PoE+, 1920S-48G, and 1920S-48G-PPoE+ switches:

- First attach the mounting brackets to the switch by using the included 8-mm M4 screws with a #1 Phillips (cross-head) screwdriver.
- Then attach the switch to the wall or wood surface with two 5/8-inch number 12 wood screws (not included).

To mount the 1920S-8G and 1920S-8G-PPoE+ switches:

- First, mark the position for the mounting screws. The hole-to-hole distance is 3.54 inch (90-mm).
- Then, use a #1 Phillips (cross-head) screwdriver and two of the included 20-mm 4 tap screws. Set the screw heads approximately 2 mm away from the mounting surface to allow the switch to slide on to the screws. Wall anchors are included in the accessory kit for use with plastered brick or concrete walls.
- For an under-table mounting, a third 20-mm M4 tap screw can be placed against one side of the switch to secure it in place.



! **IMPORTANT:**

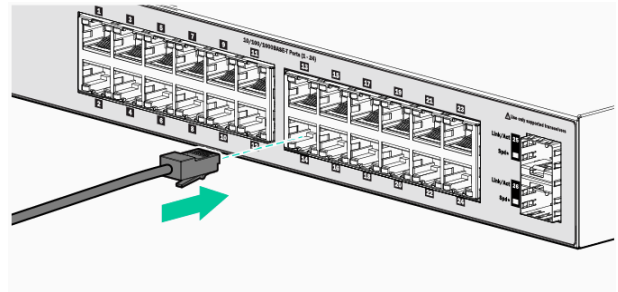
Wall-mount the switch with network ports facing up or down (away from or toward the floor). Do not wall-mount the switch with the ventilation holes facing up or down. (See [Installation Precautions](#).)

5. Power on the switch.

Follow the same procedures as in step 3.

6. Configure the switch for operation on your network (minimal configuration).

Connect a PC directly to the switch with a standard Ethernet cable. Before you connect the switch to the network, configure the IP Address and Subnet Mask for the PC. The IP addressing allows the switch to communicate with the switch through the Web browser on your PC. The switch factory default settings include the following values:



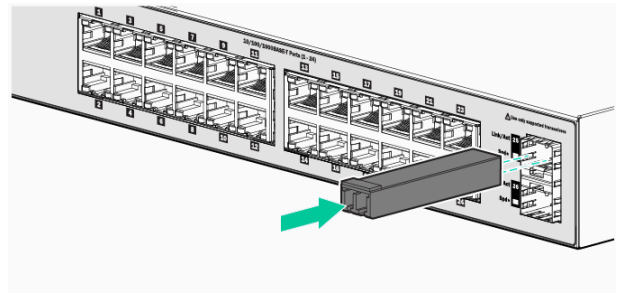
Parameter	Factory Default Setting
User name	admin
Password	<blank>
IP address	192.168.1.1
Subnet Mask	255.255.255.0
Default gateway	not set

To enable the switch to operate in your network, modify the IP configuration as needed. See **Example: Initial Switch Configuration**.

7. Connect the network cables.

NOTE:

For transceiver connections, install and use only HPE SFP transceivers supported by the switch. See [SFP Installation Notes](#).



Example: Initial Switch Configuration

Procedure

1. Reconfigure the PC's IP address and Subnet Mask so that it can communicate with the switch.
 - a. Click **Start > Control Panel**. Type adapter in the search box, and then click **View network connections**.
 - b. Select and right-click **Local Area Connection**, then click **Properties**.
 - c. Click the **Networking** tab. Select Internet Protocol Version 4 (TCP/IPv4) under **This connection uses the following items**, and then click **Properties**.

NOTE:

Be sure to record all your PC's current IP settings to be able to restore them later.

- d. On the **General** tab, click **Use the following IP address**.
- e. For **IP address**, enter an IP address in the same range as the switch's default IP address. For example, enter **192.168.1.12**.

- f. For **Subnet mask**, enter **255.255.255.0**, then click **OK**.
- g. Click **Close** (or **OK**) to close the **Local Area Connection Properties** screen.
2. Open your Web browser on the PC, and enter the switch factory-default address, **http://192.168.1.1**, to access the switch's Web interface.
3. Click **Log on** to log on to the switch (by default, there is no password).
4. Click **Network Setup > Get Connected** and configure IP network settings on the switch for operation on your network.

! **IMPORTANT:**

When the switch starts, it attempts to obtain an IP address from a DHCP server. If the DHCP server is unreachable, the switch falls back to a static IP address, that is, 192.168.1.1. If a DHCP address is obtained then you must determine the IP address assigned to the switch. To determine the IP address, access your DHCP server files or use LLDP (Link Layer Discovery Protocol) commands on a connected device (such as another switch). For more information on Initial Configuration, see the *HPE OfficeConnect 1920S Installation and Getting Started Guide* available at <http://www.hpe.com/support/manuals>

5. Click **Apply** on the browser configuration screen to save your settings to retain them when the switch is rebooted.

You are done with initial switch configuration. Disconnect the LAN cable from your PC and connect the switch in to the network.

Be sure to return your PC to its original network settings before connecting to your network.

SFP Installation Notes

NOTE:

When selecting a fiber SFP device, make sure it can function at a maximum temperature that is not less than the recommended maximum operational temperature of the product. Use only an approved Laser Class 1 SFP transceiver.

NOTE:

To ensure proper operation of your switch, use only the HPE Aruba SFP transceivers supported by your switch.

Use only supported HPE Aruba SFP transceivers. Non-HPE Aruba SFP transceivers are not supported. Use of supported HPE Aruba products ensures that your network maintains optimal performance and reliability. If you require additional transceivers, contact an HPE Aruba sales representative or an authorized reseller. The following resources can help you to find transceiver support information for your switch model:

- See the *HPE ArubaOS-Switch Transceiver Guide* in the Hewlett Packard Enterprise Information Library at <http://www.hpe.com/networking/ResourceCenter>.
- See the supported transceivers information in the QuickSpecs for your switch model at <http://www.hpe.com/networking/products>, along with minimum software versions to support the listed transceivers:
 1. Select **Switches**.
 2. Select **Aruba Switches**.
 3. Select a switch model.
 4. Select **Product Details**.
 5. Select an option under QuickSpecs.

Hot Swapping SFP transceivers. Supported SFP transceivers that you can install in your Hewlett Packard Enterprise OfficeConnect switch can be “hot swapped”. “Hot swapping” means supported transceivers can be removed and installed while the switch is receiving power. Disconnect the network cables from the SFP transceivers before hot-swapping them.

When you replace an SFP transceiver with another of a different type, the switch may retain selected port-specific configuration settings that were configured for the replaced unit. Be sure to validate or reconfigure port settings as required.

SFP Connections to Devices with Fixed Speed/Duplex Configurations. When connecting a device to your switch port that contains an SFP transceiver, the speed and duplex settings of the switch port and the connected device must match. If the settings do not match, the device may not link properly—you may not get a link. For some older network devices, including some older Hewlett Packard Enterprise devices, the default speed/duplex settings may be predefined. (For example, a setting might be 1000 Mbps/Full Duplex.) There may also be other settings that differ from the default configuration of your switch port. Because of these default speed/duplex considerations, make sure that devices connected to your SFP ports are properly configured. At a minimum, make sure the configurations match.

Warranty and regulatory information

Safety Precautions

Installation Precautions

WARNING:

- The rack or cabinet should be adequately secured to prevent it from becoming unstable, tilting, or falling. Devices installed in a rack or cabinet should be mounted as low as possible, with the heaviest devices at the bottom and progressively lighter devices above.
 - Do not wall-mount any switch without checking for restrictions in the *Installation and Getting Started Guide* at <http://www.hpe.com/networking/ResourceCenter>. Wall-mount the switch with network ports facing up or down (away from or toward the floor). Do **not** wall-mount the switch with the ventilation holes facing up or down.
-

CAUTION:

- Ensure the power source circuits are properly grounded, then use the power cord supplied with the switch to connect to the AC power source.
 - If your installation requires a different power cord than the one supplied with the switch and/or power supply, be sure the cord is adequately sized for the switch's current requirements. In addition, be sure to use a power cord displaying the mark of the safety agency that defines the regulations for power cords in your country/region. The mark is your assurance that the power cord can be used safely with the switch and power supply.
 - When installing the switch, the AC outlet should be near the switch and should be easily accessible in case the switch must be powered off.
 - Ensure that the switch does not overload the power circuits, wiring, and over-current protection. To determine the possibility of overloading the supply circuits, add together the ampere ratings of all devices installed on the same circuit as the switch, and compare the total with the rating limit for the circuit. The maximum ampere ratings are usually printed on the devices near the AC power connectors.
 - Do not install the switch in an environment where the operating ambient temperature exceeds its specification.
 - Ensure that the air flow around the switch is not restricted. Leave at least 7.6 cm (3 inches) for cooling.
-

Regulatory and Safety Information

For important safety, environmental, and regulatory information, see *Safety and Compliance Information for Server, Storage, Power, Networking, and Rack Products*, available at <http://www.hpe.com/support/Safety-Compliance-EnterpriseProducts>.

1920S Switch Series Information — Regulatory and Safety

	1920S-8G Switch (JL380A)	1920S-24G Switch (JL381A)	1920S-48G Switch (JL382A)	1920S-8G-PPoE + (65W) Switch (JL383A)	1920S-24G-PPoE + (185W) Switch (JL384A)	1920S-24G-POE + (370W) Switch (JL385A) 1920S-48G-PPoE + (370W) Switch (JL386A)
Electrical:	For power, requires one of the following:	For power, requires a power cord connection from an AC power source	For power, requires a power cord connection from an AC power source	For power, external power adapter module is required.	For power, requires a power cord connection from an AC power source	For power, requires a power cord connection from an AC power source
AC voltage:	<ul style="list-style-type: none"> External power adapter module. or, PoE PD connections to Port 1 	100-127 / 200-240	100-127 / 200-240		100-127 / 200-240	100-127 / 200-240
Maximum current:		0.5 / 0.3 A	0.8 / 0.5 A		2.6 / 1.3 A	5.1 / 2.6 A
Frequency range:		50/60 Hz	50/60 Hz		50/60 Hz	50/60 Hz
1920S-8G, 1920S-24G, 1920S-48G, 1920S-8G-PPoE + (65W), 1920S-24G-PPoE+ (185W), 1920S-24G-PoE + (370W), and 1920S-48G-PPoE+ (370W) Switches						
Environmental						
:						
Operating Temperature:	0°C to 40°C (32°F to 104°F)					
Relative humidity:	15% to 95% at 40°C (104°F), non-condensing					
Non-Operating Temperature:	-40°C to 70°C (-40°F to 158°F)					
Non-Operating Relative humidity:	15% to 90% at 65°C (149°F), non-condensing					
Maximum Operating Altitude:	Up to 3 km (10,000 ft)The operating maximum altitude should not exceed that of any accessory being connected to the switch.					

Table Continued

	1920S-8G, 1920S-24G, 1920S-48G, 1920S-8G-PPoE + (65W), 1920S-24G-PPoE+ (185W), 1920S-24G-PoE + (370W), and 1920S-48G-PPoE+ (370W) Switches
Acoustic	1920S-8G Switch, 1920S-8G-PPoE+ (65W) Switch, 1920S-24G Switch, and 1920S-48G Switch have no fan, 0 dB ; 1920S-24G-PPoE+ (185W) Switch, 1920S-24G-PoE + (370W) Switch, and 1920S-48G-PPoE+ (370W) Switch have fans, 45 dB
Safety	CSA22.2 No. 60950-1; EN60950-1/IEC60950-1; UL60950-1EN 60825-1 / IEC 60825-1 Class 1; Class 1 Laser Products / Laser Klasse 1

NOTE:

Use only supported HPE SFP transceivers with your switch.

When selecting a fiber SFP device, make sure it can function at a temperature that is not less than the recommended maximum operational temperature of the product. Use only an approved Laser Class 1 SFP transceiver.

1920S-8G External Power Adapter and Power Cords:

Universal inline power adapter (5066-5563 ¹) specifications:	AC power cord:	
• AC Input Voltage: 100–240 V	8121-0870	Australia/New Zealand
• Maximum AC Input Current: 0.4 A	8121-0664	Thailand
• AC Input Frequency Range: 50/60 Hz	8120-8373	China
• DC Output Voltage: 12 ± 10% V	8121-0702	India
• Maximum DC Output Power: 15 W	8120-6314	Israel
• Maximum DC Output Current: 1.25 A	8120-6316	Japan
	8120-6317	South Africa
	8120-8441	South Korea
	8121-0963	Taiwan
	8120-8699	United Kingdom/Hong Kong/Singapore/Malaysia
	8121-1081	Brazil
	8121-8367	Argentina
	8121-0514	Chile

Table Continued

Wall plug-in power adapter specifications: <ul style="list-style-type: none"> • AC Input Voltage: 100–240 V • Maximum AC Input Current: 0.4 A • AC Input Frequency Range: 50/60 Hz • DC Output Voltage: 12 ± 10% V • Maximum DC Output Power: 13 W • Maximum DC Output Current: 1.085 A 	Power adapter: 5066-5562 ²	(AC power cords are not used) United States/Canada/Mexico
	5184-5864	Continental Europe/Denmark/ Norway/Sweden/Switzerland/ Israel/ Vietnam/Indonesia

¹ Complies with DoE Level VI.

² Complies with DoE Level VI.

1920S-8G-PPoE+ External Power Adapter and Power Cords:

Universal inline power adapter (5066-5569 ¹) specifications:	AC power cord:	
• AC Input Voltage: 100–240 V	8121-0837	Australia/New Zealand
• Maximum AC Input Current: 1.4 A	8121-0943	China
• AC Input Frequency Range: 50/60 Hz	8121-0731	Continental Europe
• DC Output Voltage: 54+/- 1.5 V	8121-0733	Denmark
• Maximum DC Output Power: 90 W	8121-0564	India
• Maximum DC Output Current: 1.67 A	8121-1004	Israel
	8121-1143	Japan
	8121-0737	South Africa
	8121-0731	South Korea
	8121-0738	Switzerland
	8121-0964	Taiwan
	8121-0734	Thailand
	8121-0739	United Kingdom/Hong Kong/ Singapore/Malaysia
	8121-1141	United States/Canada/Mexico
	8121-1071	Brazil

Table Continued

	8121-0729	Argentina
	8121-0735	Chile

¹ Complies with DoE Level VI.

1920S-24G, 1920S-24G-PPoE+, 1920S-48G Power Cords

AC power cord:	
8121-0837	Australia/New Zealand
8121-0943	China
8121-0731	Continental Europe
8121-0733	Denmark
8121-0564	India
8121-1004	Israel
8121-1143	Japan
8121-0737	South Africa
8121-0731	South Korea
8121-0738	Switzerland
8121-0964	Taiwan
8121-0734	Thailand
8121-0739	United Kingdom/Hong Kong/Singapore/Malaysia
8121-1141	United States/Canada/Mexico
8121-1071	Brazil
8121-0729	Argentina
8121-0735	Chile

1920S-48G-PPoE+ and 1920S-24G-PoE+ Power Cords

AC power cord:	
8121-1476	Australia/New Zealand
8121-1484	China
8121-1479	Continental Europe

Table Continued

AC power cord:

8121-1486	Denmark
8121-1483	India
8121-1478	Israel
8121-1482	Japan
8121-1483	South Africa
8121-1479	South Korea
8121-1480	Switzerland
8121-1511	Taiwan
8121-1485	Thailand
8121-1475	United Kingdom/Hong Kong/Singapore/Malaysia
8121-0914	United States/Canada/Mexico
8121-1265	Brazil
8121-1481	Argentina
8121-1477	Chile

1920S-8G Switch (JL380A), 1920S-24G Switch (JL381A), 1920S-48G Switch (JL382A), 1920S-8G-PPoE+ (65W) Switch (JL383A), 1920S-24G-PPoE+ (185W) Switch (JL384A), 1920S-24G-PoE + (370W) Switch (JL385A), and 1920S-48G-PPoE+ (370W) Switch (JL386A)

**WARNING**

FOR INDOOR USE ONLY. The switch, AC power cord, and all connected cables are not designed for outdoor use.

Russia/Belarus/Kazakhstan/CEE Safety:

For manufacturer and local representative information, see *Safety and Compliance Information for Server, Storage, Power, Networking, and Rack Products* at <http://www.hpe.com/support/Safety-Compliance-EnterpriseProducts>.

China Altitude Warning:

1.7.2.1	安全说明和标记	仅适用于海拔 2000m 以下地区安全使用。
---------	---------	------------------------

Japan Power Cord Warning:

製品には、同梱された電源コードをお使い下さい。
同梱された電源コードは、他の製品では使用出来ません。

Documentation feedback

Hewlett Packard Enterprise is committed to providing documentation that meets your needs. To help us improve the documentation, send any errors, suggestions, or comments to Documentation Feedback (docsfeedback@hpe.com). When submitting your feedback, include the document title, part number, edition, and publication date located on the front cover of the document. For online help content, include the product name, product version, help edition, and publication date located on the legal notices page.