



RAZER SEIRĒN X

MASTER GUIDE

The **Razer Seirēn X** is the microphone designed specially to elevate the quality of streams. The microphone strategically filters unwanted background noise and features a built-in shock mount to dampen vibrations. To ensure it fits your gaming setup perfectly and professionally, it's constructed to be sleek and non-obstructive, allowing your audience to see more of you. It's the microphone needed to propel your streaming journey to greater heights.

CONTENTS

1. PACKAGE CONTENTS / SYSTEM REQUIREMENTS	3
2. REGISTRATION / TECHNICAL SUPPORT.....	4
3. TECHNICAL SPECIFICATIONS.....	5
4. DEVICE LAYOUT.....	6
5. SETTING UP YOUR RAZER SEIRĒN X.....	7
6. USING YOUR RAZER SEIRĒN X.....	11
7. SAFETY AND MAINTENANCE	12
8. LEGALESE.....	13

1. PACKAGE CONTENTS / SYSTEM REQUIREMENTS

PACKAGE CONTENTS

- Razer **Seirēn X** condenser streaming microphone
- Support rod
- Desk stand base
- Micro-USB to USB cable
- Important Product Information Guide

SYSTEM REQUIREMENTS

- PC or Mac with a free USB port
- Windows® 7 / OS X® 10.8 (or higher)
- Internet connection
- Third party software: Open Broadcaster Software [obsproject.com] or XSplit* [xsplit.com]

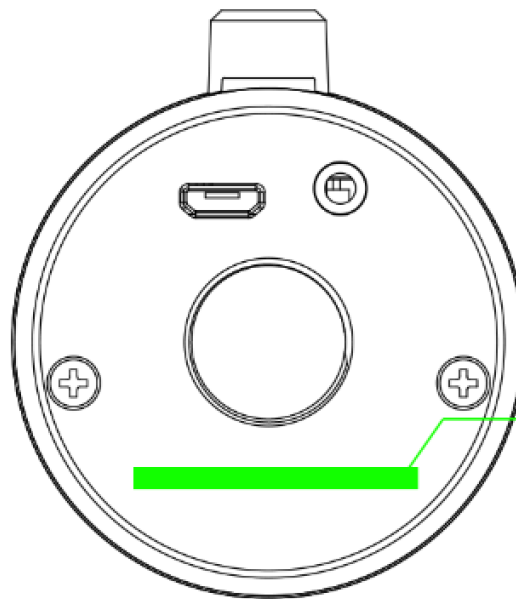
*Software license fee may apply.

2. REGISTRATION / TECHNICAL SUPPORT

REGISTRATION

Register your product online at razer-id.razerzone.com/warranty using your Razer ID to get real-time information on your product's warranty status.

If you haven't registered for a Razer ID yet, register now at razer-id.razerzone.com to get a wide range of Razer benefits.



*Your product's
serial number can
be found here.*

TECHNICAL SUPPORT

What you'll get:

- 1 year limited manufacturer's warranty.
- Free online technical support at support.razerzone.com

3. TECHNICAL SPECIFICATIONS

MICROPHONE SPECIFICATIONS

- Power required / consumption: 5V 100mA
- Sample rate: min 44.1kHz / max 48kHz
- Bit rate: 16bit
- Capsules: Ø25mm condenser capsules
- Polar patterns: Super-Cardioid
- Frequency response: 20Hz–20kHz
- Sensitivity: 17.8mV/Pa (at 1kHz)
- Max SPL: 110dB (THD < 1% at 1kHz)

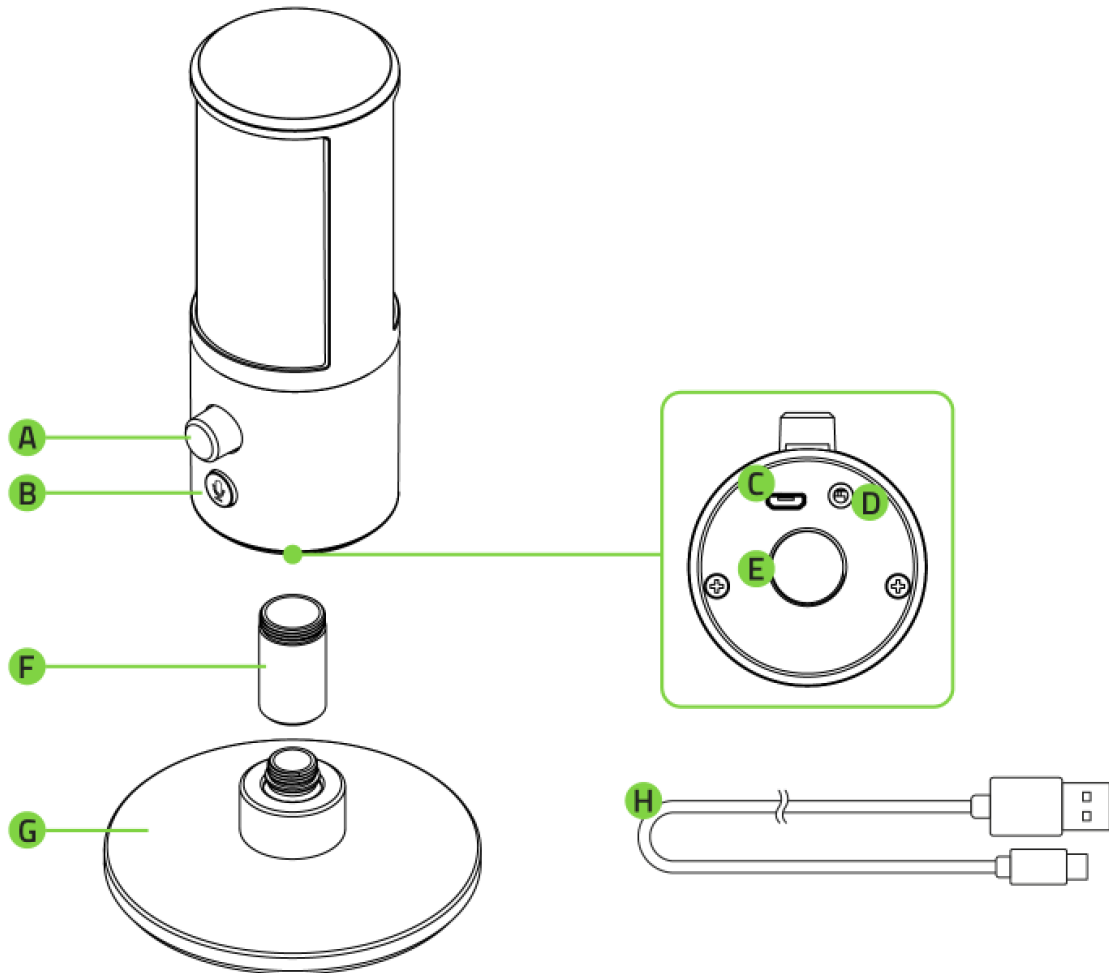
HEADPHONE AMPLIFIER

- Impedance: $\geq 16\Omega$
- Power output (RMS): 125mW (at 32Ω)
- THD: < 0.5% (at 1kHz)
- Frequency response: 20Hz – 20kHz
- Signal-to-noise ratio: $\geq 85\text{dB}$

APPROXIMATE SIZE & WEIGHT

- Diameter (Microphone): 50 mm / 1.97 in
(Desk stand base): 90 mm / 3.54 in
- Height: 184 mm / 7.24 in
- Weight: 383 g / 0.84 lbs

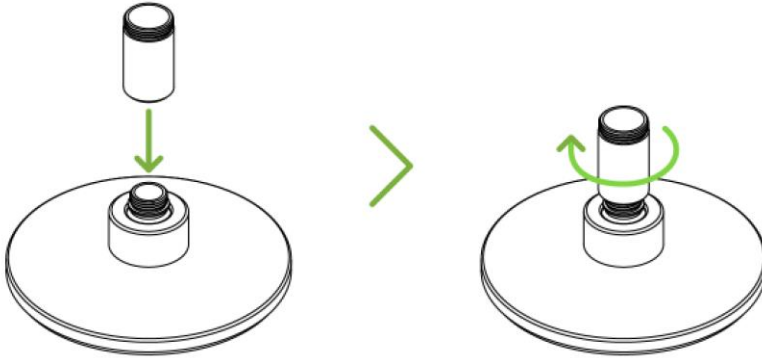
4. DEVICE LAYOUT



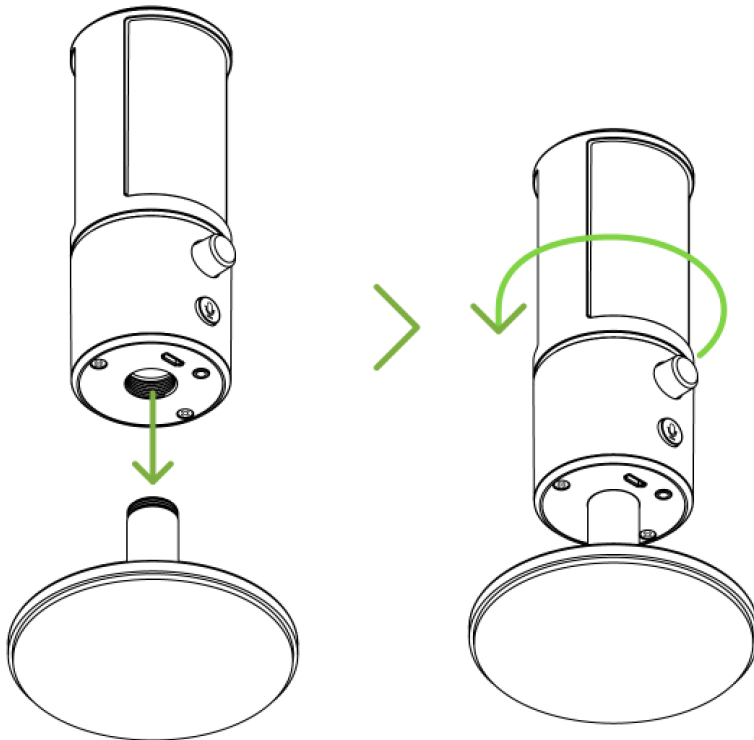
- A. Headphone volume control
- B. Microphone mute button
- C. Micro-USB port
- D. 3.5 mm headphone port
- E. Thread mount
- F. Support rod
- G. Desk stand base
- H. Micro-USB to USB cable

5. SETTING UP YOUR RAZER SEIRĒN X

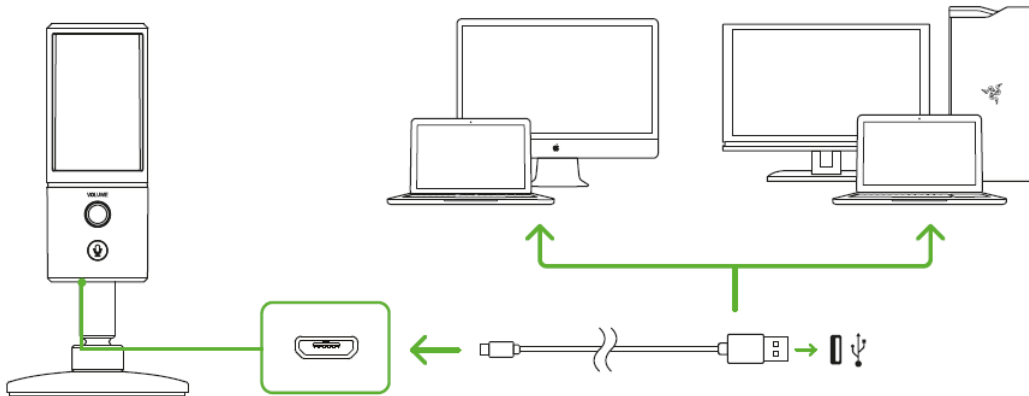
1. Tighten the support rod onto the threaded portion of the desk stand base.



2. Rotate the Razer SeirĒn X onto the threaded portion of the support rod until it is securely fastened.



3. Slightly tilt the microphone, then connect the Razer Seiren X to your computer using the Micro-USB to USB cable.

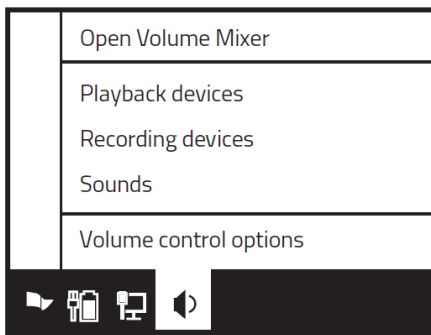


Note: You may connect an analog audio output device (such as a headphone) to the 3.5 mm headphone port, if you want to listen to both PC audio and the audio being recorded by your Razer *Seirēn X* at the same time.

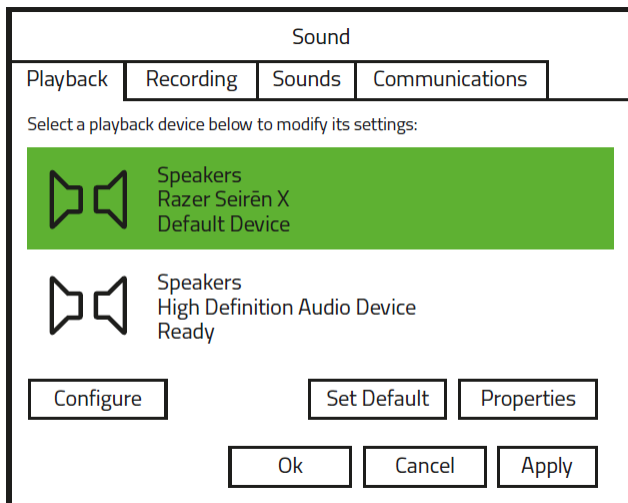
4. Set the Razer **Seirēn X** as the default playback and recording device of your computer. This is required if **you are using the Razer Seirēn X** for the first time.

A. For Windows users

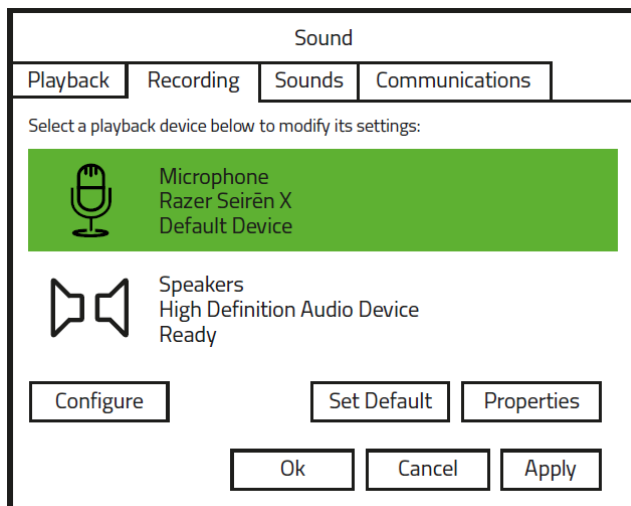
Step 1: Open your Sound settings from Control Panel > Hardware and Sound > Manage audio devices. You can also right-click on the sound icon in the system tray, and then select Playback devices.



Step 2: In the Playback tab, select **Razer Seirēn X** from the list and click the Set Default button.

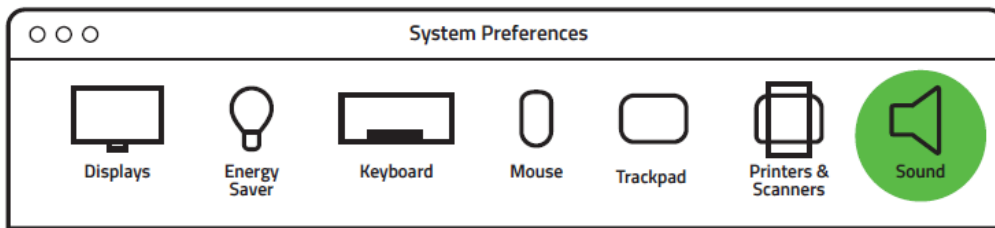


Step 3: In the Recording tab, select **Razer Seirēn X** from the list and click the Set Default button.

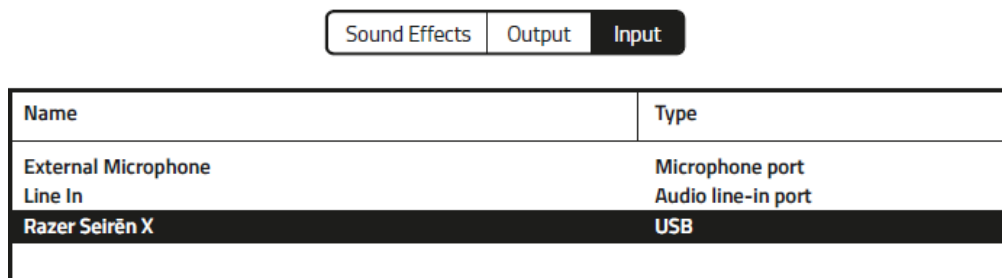


B. For OS X® users

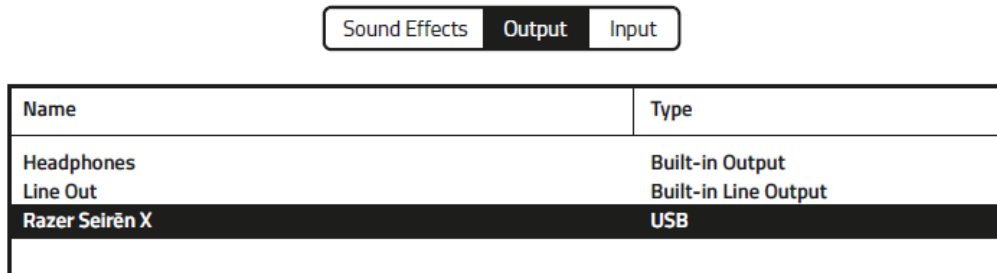
Step 1: Open your Sound settings from System Preferences > Sound.



Step 2: In the Input tab, select Razer Seirēn X from the list.



Step 3: In the Output tab, select Razer Seirēn X from the list.

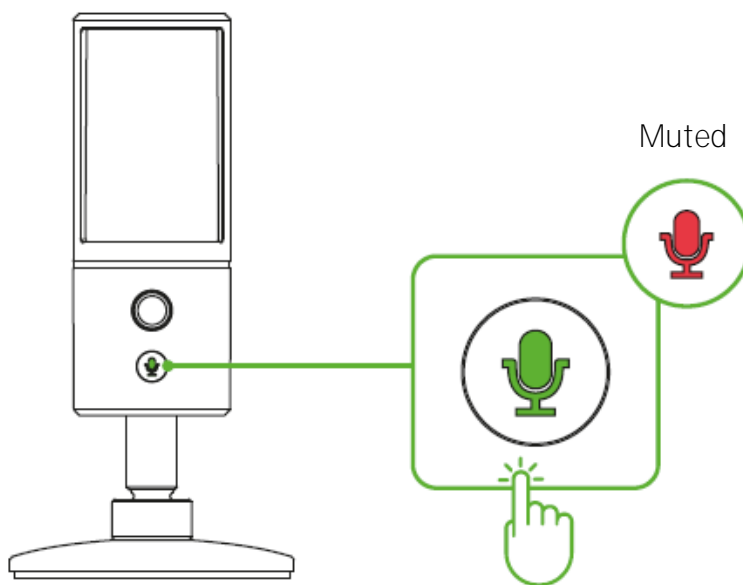


Congratulations, you are now ready to use your Razer Seirēn X.

6. USING YOUR RAZER SEIRĒN X

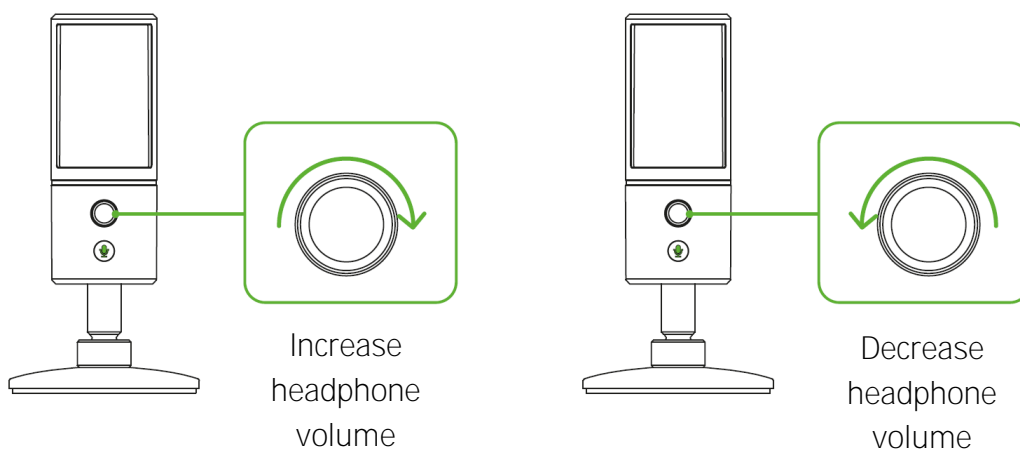
MUTING THE MICROPHONE

Press the microphone mute button to mute or unmute the microphone. The microphone mute LED will light up in red when the microphone is muted.



ADJUSTING THE HEADPHONE VOLUME

Rotate the headphone volume control clockwise or counterclockwise to increase or decrease the headphone volume.



7. SAFETY AND MAINTENANCE

SAFETY GUIDELINES

In order to achieve maximum safety while using the Razer **Seirēn X**, we suggest that you adopt the following guidelines:

1. Should you have trouble operating the device properly and troubleshooting does not work, unplug the device and contact the Razer hotline or go to support.razerzone.com for support. Do not attempt to service or fix the device yourself at any time.
2. Do not take apart the device (doing so will void your warranty) and do not attempt to operate it under abnormal current loads.
3. Do not puncture nor insert foreign objects **into any of the device's openings**.
4. Do not use or install the device and its components near water, moisture, solvents, or other wet surfaces, nor expose the device to high temperatures or direct sunlight for an extended period of time.
5. Keep the device and its components away from liquid, humidity or moisture. Operate the device and its components only within the specific temperature range of 0°C (32°F) to 40°C (104°F). Should the temperature exceed this range, unplug and switch off the device in order to let the temperature stabilize to an optimal level.
6. Listening to excessively loud volumes over extended periods of time can damage your hearing. Furthermore, legislation of certain countries permits a maximum sound level of 86dB to affect your hearing for 8 hours a day. We therefore recommend that you reduce the volume to a comfortable level when listening for prolonged periods of time. Please, take good care of your hearing.

MAINTENANCE AND USE

The Razer **Seirēn X** requires minimum maintenance to keep it in optimum condition. Once a month we recommend you unplug the device from the computer and clean it using a soft cloth or cotton to prevent dirt buildup. Do not use soap or harsh cleaning agents.

8. LEGALESE

COPYRIGHT AND INTELLECTUAL PROPERTY INFORMATION

©2017 Razer Inc. All rights reserved. Razer, the triple-headed snake logo, Razer logo, "For Gamers. By Gamers.", and "Powered by Razer Chroma" logo are trademarks or registered trademarks of Razer Inc. and/or affiliated companies in the United States or other countries.

Windows and the Windows logo are trademarks or registered trademarks of the Microsoft group of companies

macOS and OS X are trademarks or registered trademarks of Apple.

XSplit is a registered trademark of Splitmedialabs Limited. All other trademarks are registered to their respective owners.

Razer Inc. ("Razer") may have copyright, trademarks, trade secrets, patents, patent applications, or other intellectual property rights (whether registered or unregistered) concerning the product in this guide. Furnishing of this guide does not give you a license to any such copyright, trademark, patent or other intellectual property right. The Razer Seirēn X (the "Product") may differ from pictures whether on packaging or otherwise. Razer assumes no responsibility for such differences or for any errors that may appear. Information contained herein is subject to change without notice.

LIMITED PRODUCT WARRANTY

For the latest and current terms of the Limited Product Warranty, please visit razerzone.com/warranty.

LIMITATION OF LIABILITY

Razer shall in no event be liable for any lost profits, loss of information or data, special, incidental, indirect, punitive or consequential or incidental damages, arising in any way out of distribution of, **sale of, resale of, use of, or inability to use the Product. In no event shall Razer's liability exceed the retail purchase price of the Product.**

COSTS OF PROCUREMENT

For the avoidance of doubt, in no event will Razer be liable for any costs of procurement unless it has been advised of the possibility of such damages, and in no case shall Razer be liable for any costs of procurement liability exceeding the retail purchase price of the Product.

GENERAL

These terms shall be governed by and construed under the laws of the jurisdiction in which the Product was purchased. If any term herein is held to be invalid or unenforceable, then such term (in so far as it is invalid or unenforceable) shall be given no effect and deemed to be excluded without invalidating any of the remaining terms. Razer reserves the right to amend any term at any time without notice.