

# Technaxx®

## Wireless Video Door Phone TX-59

### Table of Contents

- Introduction
- Safety Warning & Attentions
- Product Overview
- Product Diagram
- Installation Guide
- Installation Steps & Battery Installation
- Attentions during Installation
- Installation of Storage Card
- Storage Card Introduction
- Features
- Outdoor Unit Starting Up
- Indoor Monitor Starting Up
- Outdoor Unit CALL Indoor Monitor
- Indoor Monitor View the Camera
- Indoor Monitor CALL Indoor Monitor (Intercom)
- Night-Vision
- Bright / Colour / Volume Adjustment
- Tamper Alarm Function
- USB Function Description
- Indoor Monitor Menus
- Battery & Charge
- Accessories
- Statement
- General faults and solutions

### Important Hint regarding the User Manuals:

All languages of the user manual are on the CD enclosed. The english and german version of the user manual is also as printed version enclosed.

### Introduction

This device complies with the requirements of the standards referred to the Directive **R&TTE 1999/5/EC**. The Declaration of Conformity you find here: **[www.technaxx.de/](http://www.technaxx.de/)** (in bar at the bottom “Konformitätserklärung”).

**Before using the device the first time, read the user manual carefully.**

Service phone No. for technical support: 01805 012643 (14 cent/minute from German fixed-line and 42 cent/minute from mobile networks). Free Email: **[support@technaxx.de](mailto:support@technaxx.de)**

If you drill a hole in the wall, please make sure that power cables, electrical cords and/or pipelines are not damaged. When using the supplied mounting material, we do not take the liability for a professional installation. You are entirely responsible to ensure that the mounting material is suitable for the particular masonry, and that the installation is done properly. When working at higher altitudes, there is danger of falling! Therefore, use suitable safeguards.

### Safety Warning & Attentions

- Do not place the device on an uneven or unstable table-board to prevent failure or damage caused by falling.
- Only the battery and charger designated by the Company can be used on the device. Application of other products may lead to leakage, overheating, blowout and fire of the battery.
- Do not violently strike, shake or toss the device to prevent failure and fire caused to the wireless video door phone.
- Do not place the device, battery or charger near or in fire or in a place with flammable and explosive gas; otherwise, damage and fire of electrical circuit and other accidents may be caused.
- Do not place the device in a place with high temperature, high humidity or large amount of dust; otherwise, product failure may be caused.
- Keep the device away from children.

## Attentions for operation of this product

- Do not apply force on LCD screen or knock other objects with it, otherwise, breakage and damage of LCD panel and seepage of crystalline liquid will be caused. If the crystalline liquid enters your eyes, there will be danger of ablepsia. Wash your eyes (be sure not to rub your eyes) and go to see a doctor immediately
- Do not dismantle or remodel this product, otherwise, damage, creep age and electrical fault may be caused to this product.
- Do not press the keys with a pin, stump of pen/pencil and other keen-edged objects; otherwise, damage or disoperation will be caused.
- Place tiny metal objects such as drawing pin at a place far away from the speaker. As the speaker has magnetic property while working, it will attract these tiny metal objects, which may lead to personal injuries or damage of the speaker.
- Do not project the lens at strong light source, such as the sun; otherwise, damage of the image sensor may be caused.
- Do not press the terminal of lens with much force; otherwise, personal injury or damage of the device may be caused.

## Attentions for operation of charger

- You may charge the device with a charger or through a USB data line connected to the computer.
- Charge with matched alternate current; creep age, fire and damage of the door phone and charger may be caused if other voltage is used.
- It is forbidden to short circuit the charger, otherwise, electrical shock, smoke and damage of the charger will be caused.
- Do not use the charger at the time when the power cord is damaged, otherwise, fire and electrical shock will be caused.
- Clear away the dust accumulated on power outlet ASAP.
- Do not place a vessel used to retain water beside the charger to prevent overheating, creep age and failure of charger caused by spilling water.

- If the charger is in contact with water or other liquids, disconnect the power supply immediately to prevent overheating, fire, electrical shock and failure of the charger.
- Do not dismantle or remodel the charger, otherwise, personal injury, electric shock, fire and damage of charger may be caused.
- Do not use the charger in places with high humidity such as bathroom, otherwise, electric shock, fire and damage of the charger will be caused.
- Do not touch the charger, electrical line and power outlet with wet hand(s), otherwise, electric shock may be caused.
- Do not place heavy objects on the electrical line or refit the electrical line, otherwise, electric shock and fire will be caused.
- Before cleaning and maintenance, first pull the plug off the power outlet.
- Grasp the charger while pulling off the plug, as pulling the electrical line will lead to damage of electrical line, electric shock and fire.

## Operation and maintenance

- Please keep this product dry, as rainwater, moisture, humidity and liquids or moisture content may contain mineral matters that erode the circuit.
- Do not keep this product in any place with high temperature. As high temperature may shorten the lifespan of electronic device, damage the battery and cause deformation or melting of certain plastic parts and components.
- Do not keep this product in any place with low temperature. As when being moved from a place with low temperature to a place with normal temperature, it may generate humidity inside, which may cause damage of circuit board.
- Do not attempt to dismantle this product. As improper handling by nonprofessional personnel may cause damage of the device.
- Do not toss, knock or shake this product, as tough operation mode may damage the motherboard inside the device.
- If this product is made wet by mistake, shut it down, remove the battery, and restart the product after confirming it complete dry after 24 hours.

- Do not have the metal parts (specially configured interfaces of charger and data line excluded) in contact with charger interface to avoid short circuit.
- Use clean and dry soft cloth to clean the lens, infrared lamp and light sensor.

**! Warning: Improper operation will void warranty!!**

## Product Overview

### Features

1. Fashion appearance: European design, full of modern science and technology feeling, suitable for houses of various decorative styles.
2. Hidden antenna: built-in antenna design, protect the antenna effectively.
3. Extra large range of vision: 120°wide viewing angle
4. High-resolution color LCD screen: 7" mainstream TFT digital LCD screen, achieve outstanding clarity.
5. High-resolution digital camera: 300000 pixels digital camera, image focusing vivid and clear.
6. Infrared Night-Vision: under the environment of insufficient outdoor light, the indoor monitor can activate the infrared Night-Vision to clearly display and record the outdoor scenes.
7. Auto detection: it would auto take photo when a visitor come close to the door.
8. One-key display: simple and convenient to use, view the outdoor scenes and take photos or record videos under manual or automatically mode just by pressing down one key.
9. Intercom function: can choose one-way or both-way talkback function.
10. Photo and video is stored on an extended MicroSD memory card up to 4GB.
11. Charge-and-record supported: without the need to worry that the operation will be affected due to depletion of electrical quantity.
12. Auto circulating memory: without the need to worry that real-time recording is unachievable due to insufficient space of storage card.
13. USB data charging wire: charge; downloading or uploading audio-visual materials can be realized through the USB interface.
14. Multifunction holder: wall-hung type or table type provided.
15. Multi machine extended function: support two outdoor units and three indoor monitor at most.
16. Long distance transmission: communication distance can reach 300 meters in open space.
17. Frequency range: 2.4G ISM digital public frequency range:2402~2483.5MHz
18. Adaptive frequency hopping technique: AFH (Adaptive Frequency Hopping Technique), produce communication frequency and Auto-Sync frequency randomly.

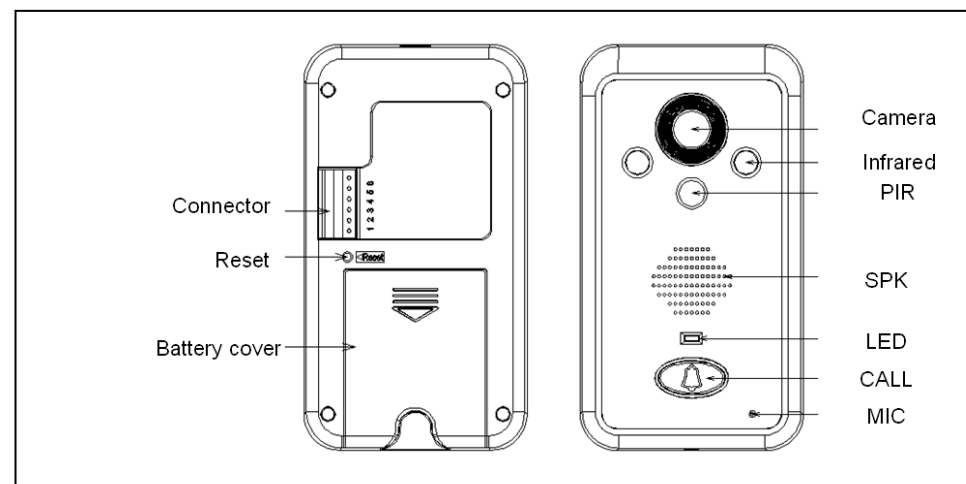
## Technical specifications

Outdoor unit	Power	Specific lithium battery 3400mAh
	Consumption	400mA
	Outline dimension	134 x 74 x 31 mm
	Weight	138 g
	Environmental temperature	-10°C ~ +50°C
	Waterproof grade	IP55
	Placement	Hang on out wall
	Surface material	ABS & hardware accessories
	Camera	300000 pixels
	View angle	120° wide angle
	Night vision	2x IR lamp
	Working time	~8 hours continuously
	Standby time	~30 days
	Charge time	~6 hours
External power	9~16V DC/AC	

Indoor monitor	Power	DC 9V
	Consumption	400mA
	Outline dimension	200 x 150 x 27 mm
	Weight	387 g
	Environmental temperature	-0°C ~ +40°C
	Placement	Wall hung type or table style
	LCD size	7" TFT color screen
	Display resolution	640 x 480
	Wireless communication mode	2.4GHz
	External power	DC 9V / 2A
	Application distance	About 300m in open space

## Product Diagram

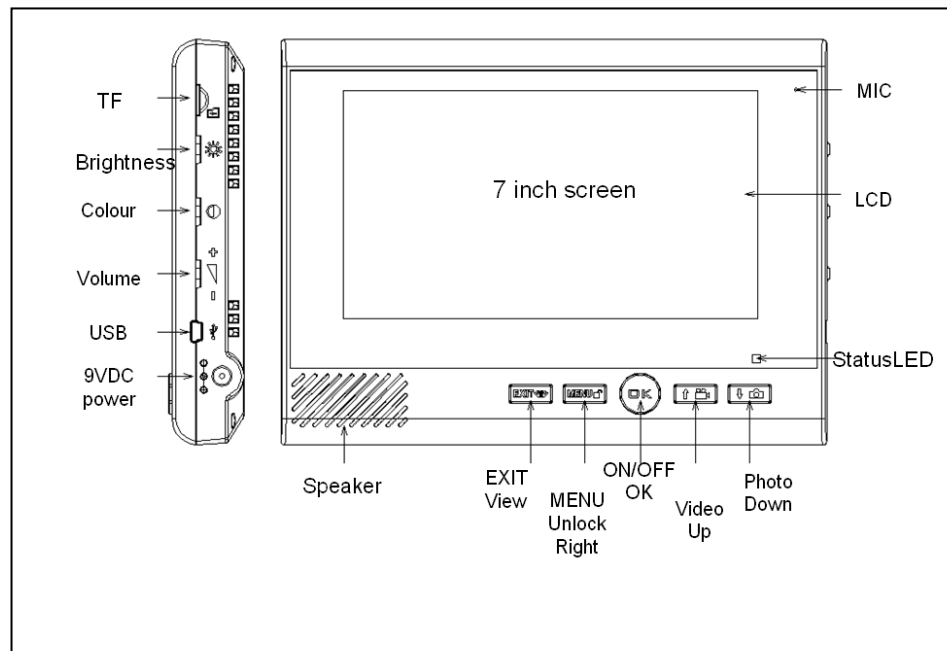
### Outdoor unit



### A. Outdoor unit keys

1. Doorbell key "**Call**": ring the bell and trigger video taking when pressed.
2. **Reset**: erase the communication code

## Indoor monitor



## Key introduction

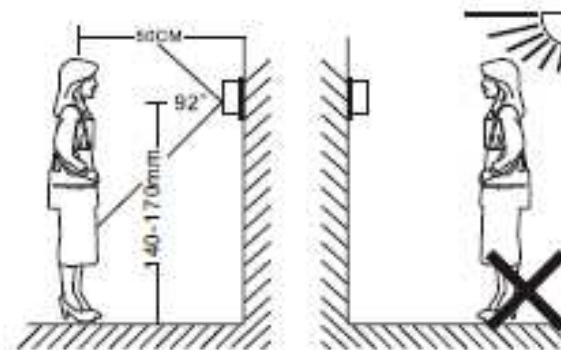
### A. Indoor monitor Keys (8 key)

1. **“OK”** key: ON/OFF \* Talking \* work as confirm key for MENU
2. **“↑UP/📺Video”** key: work as option key for MENU \* as video key when calling or monitoring \* as option key when calling extension monitor.
3. **“↓DOWN/📷Photo”** key: work as option key for MENU \* as photo key when calling or monitoring \* as entrance key for exposure adjust \* as option key when calling extension monitor.

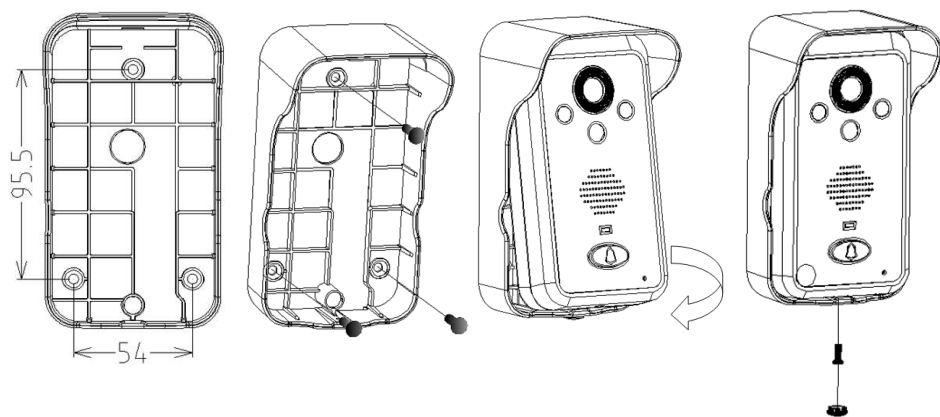
4. **“EXIT / 👁️monitor”** key: work as monitor key for standby mode \* as exit key for MENU
5. **“MENU / 🔒unlock”** key: work as unlock key when communicating with outdoor unit \* as right moving key for MENU.
6. **Brightness**
7. **Colour**
8. **Volume**: increase and reduce for adjustment.

## Installation Guide

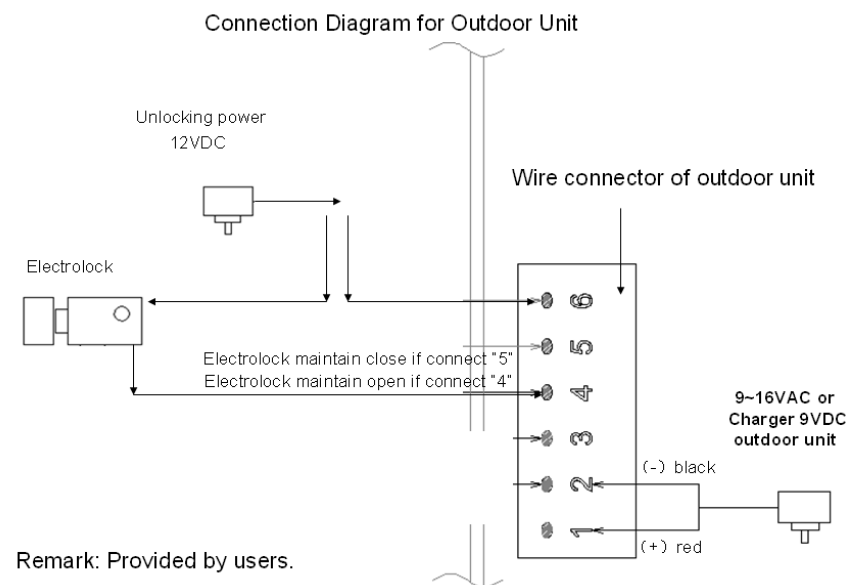
Outdoor unit shall be installed at 1.4 ~ 1.7 meter above the floor, and the camera shall avoid facing the sunlight directly.



## Installation Steps & Battery Installation



1. Drill a hole refer to the dimension, put the screw rubber plug in, then fix the rainproof cover on the wall by screws.
2. Connect the charging line according to the wiring diagram(the hole for wire getting through suggested 16~30mm), if charging line comes from indoor, lead the charging line pass through the hole, if charging line comes from outdoor, lead the charging line pass through the bottom of rainproof cover and connect the line .
3. Install rechargeable lithium battery to outdoor unit, the unit starts up automatically.
4. Put the top part of outdoor unit into the rainproof cover like the picture, push the bottom part, make sure its steady and fix it from the bottom by screw, then fit on the screw cover.



Remark: Provided by users.

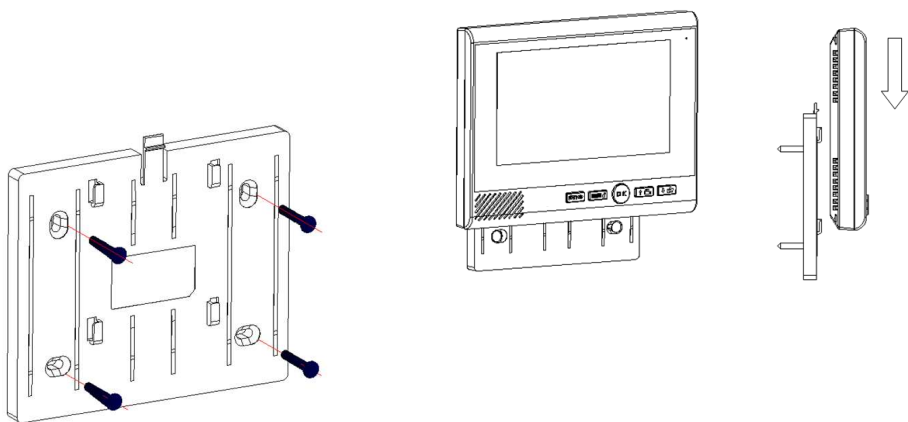
### Unlocking Setting

Menu- -> setup- -> unlock set

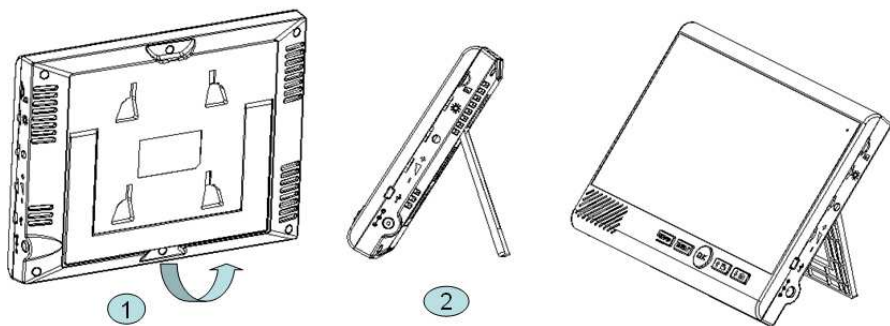
### Attentions during Installation

1. The outdoor photosensitive sensor should not be hidden or blocked by other objects.
2. Do not face outdoor unit to sunlight directly.
3. Do not stick label on the speaker, otherwise, the sound effect of doorbell will be affected.
4. Install the connection line correctly; otherwise, door phone disabled may be caused.

## Wall holder Installation

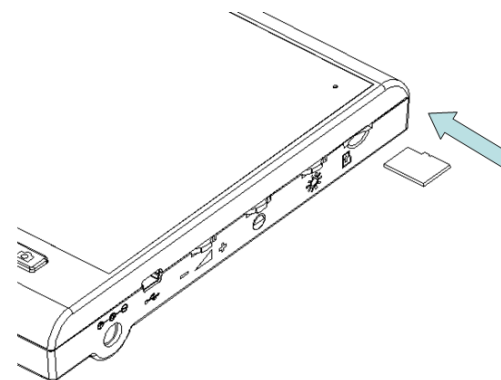


## Table holder Installation



## Installation of MicroSD memory card

1. Insert the storage card in the way as shown in the diagram until you hear a clicking sound.
2. Improper insertion of storage card may cause system failure, please confirm the inserting direction of the card.
3. Take out of the storage card. Push in the storage card until you hear a clicking sound, then the storage card will pop up.



## Storage Card Introduction

- This product adopts MicroSD card as external storage device, when there is no storage card in the product, the photo-taking and video-recording functions are unrealizable.
- If a self-provided storage card is used: Use a storage card with Class 4 or above. Up to 4G storage card supported. This machine has automatic cyclic storage function, when the storage card is full, the original file will be overwritten. This machine can connect to computer by USB line. Or take out the MicroSD card and connect to computer by card reader.

**ATTENTION: do not distort, extrude or strike the storage card, otherwise the audio-video material recorded on it may be damaged.**

## Functions and Applications

### Outdoor Unit Starting Up

Connect to external power to start up. If the power source is only battery, main MCU is worked about every one second. Sleep mode saves power (Monitor and alarm functions could be realized in both two power supply conditions.). When external power and battery supply power simultaneously, the effect is same to external power supports the unit only, when battery is in low power, the external power will charge the battery automatically, green LED flashes every one second, it recovers to its previous state when the battery is full..

### Indoor Monitor Starting Up


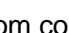




Plug in 9VDC power, long press “OK” key about 3 seconds to start up (about 1 second after shutdown), logo shall be displayed on screen with a sound of “Beep”.

Turn into standby mode.

- Display: standby picture, unit ID, signal sign, power sign, time & date
- Red LED flashes every 4 seconds.
- In this mode, the screen shall be dimmed after some seconds and turns into power saving mode.
- If there is any calling record under this mode, red LED flashes every 1 second and stops flashing after checking.
- In standby mode, long press “OK key” about 3 seconds, “**Shutdown**” shall be displayed on screen with a sound of “Beep”, the unit switches off.


### Outdoor Unit Call Indoor Monitor

In standby time mode, press “Door bell key” to call, the blue LED of the outdoor unit lights up with a sound of “Du Du”. Blue LED of indoor monitor lights up, the screen shows image and the unit rings for Max. 30 seconds. If there is no reply signal from indoor monitor, the outdoor unit stops the Call and recall is allowed.


- **Intercom:** press “**OK**” on indoor monitor -> ring stop and the unit turns into intercom mode, red LED of indoor monitor is off as well as blue LED is on, intercom time is Max. 90seconds.
- **Monitor:** press “” monitor key on indoor monitor-> red LED lights up, monitor outdoor voice without being discovered by the visitors. (One or both way intercom could be changed over by pressing “” and “**OK**”, and it will time again till 90seconds.).
- **Unlock:** in “**OK**” on-state mode -> press “” unlock key -> after successful unlocking, it shows unlock icon.
- **Take a Photo:** in “**OK**” on-state mode -> press “” photo taking key -> one press one photo, the photos will be stored in MicroSD card.
- Video Recording: in “**OK**” on-state mode -> press “” video taking key -> start taking video -> press “” video taking key again to stop, the videos will be stored in MicroSD card.
- **Exit:** in “**OK**” on-state mode -> press “**OK**” key ,the unit turns into standby mode with a sound of “Beep”.
- **Automatic video:** if nobody answers the call in 5 seconds, indoor monitor starts taking video automatically (Default is automatic video. If setting is manual video, once connected, the indoor unit will take video manually) till being stopped or max. taking time.




## Indoor Monitor View the Camera

In standby mode, press “

### Two sets of outdoor units (Code connected successfully):

Press “


- **Intercom:** in monitor mode, red LED lights up, there is voice speaking for indoor monitor but not for outdoor unit -> press “
  - End: in monitor mode -> press “**OK**” key -> end monitor and turn back to standby mode.

**Note:** in monitor mode, red LED lights up, in intercom mode, red LED shuts down.

## Indoor Monitor CALL Indoor Monitor (Intercom)

(Only can realize when there are 2 and more indoor monitors.)

In standby mode, if there are only two indoor monitors in system, press “**OK**” to call another indoor monitor.

In standby mode, if there are three indoor monitors in system, press “

- If the CALLED indoor monitor doesn't receive the signal in 4 seconds, the CALL monitor shows “User not online”, it turns back to standby mode with a sound of “Beep”.
- If the CALLED indoor monitor receives the signal, two monitors play music, red LED lights up.
- If the CALLED indoor monitor doesn't reply, the monitors turn into standby mode after 30seconds.
- If the CALLED indoor monitor replies by pressing “**OK**”, music stops, red LED shuts down, blue LED lights up to both of the monitors, and both monitors turn into intercom mode, communication time is max. 90seconds.
- The CALL indoor monitor has initiative hang up function.
- During communication, if any end in the communication presses “**OK**”, then both two ends hang up with a sound of “Beep” and turn to standby mode.

## Night-vision

With night-vision function, even under the environment of extremely poor visibility, the outdoor unit can activate infrared lamps and recognize clearly objects or people within the distance of 1.5meter (the best focus of this product is 0.8 meter). In addition, under complete black condition, it displays black and white effects.

**NOTE: Please keep the lens of infrared lamps clean.**

## Bright/Colour/Volume Adjustment

In image communication mode.

- Push “**Brightness**” key to adjust brightness, every press adjusts one grade.
- Push “**Color**” key to adjust color, every press adjusts one grade.
- Push “**Volume**” key to adjust volume, every press adjusts one grade.

## Tamper Alarm Function

It shall alarm if outdoor unit is detached from the shell. The indoor monitors shall alarm as well as display image once the outdoor unit alarms, and the indoor monitors shall produce an alarm file. The indoor monitors alarms for max. 2minutes. Press “**OK**” key to stop alarm.

**NOTE: The outdoor unit only could work when it is repowered on and reinstalled into the shell.**

## USB Function Description

In standby mode, with MicroSD card in the monitor, plug in USB wire, the screen shall display a selection menu: “USB”, “POWER”

- Choose “POWER” by pressing “↑/↓”, the USB only serves as charging function, the indoor monitor works as normal.
- Choose “USB” by pressing “↑/↓”, connect the monitor with the computer and read the files through computer.

## Indoor Monitor Menus

- In standby mode, press “MENE” to turn into main menu.
- Choose submenu by pressing “↑/↓”and “MENU”, press “**OK**” to confirm.

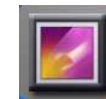
**REMARK: Turn back to previous menu by pressing “EXIT” in submenu, turn back to standby mode by pressing “EXIT” in main menu.**



## Video

Turn into video menu and operate.

- If there is no MicroSD card, screen displays “No MicroSD Card” and turns back to main menu.
- If there is MicroSD card but no video record, screen displays “No File!” and turns back to main menu.
- If there is MicroSD card and video record, screen displays video list by time order, newest file is listed on the top.
- Choose operating command “Play”, “Delete”, “Delete All” or “Back” by pressing “↑/↓” -» press “**OK**” to turn into operating.
- In Play mode -» press “**OK**” to pause and play -» press “**EXIT**” to exit.
- After operation, exit automatically or by pressing “**EXIT**” to turn back to video operation menu.



## Photo

Turn into photo menu and operate.

- If there is no MicroSD card, screen displays “No MicroSD Card” and turns back to main menu.
- If there is MicroSD card but no photo record, screen displays “No File!” and turns back to main menu.
- If there is MicroSD card and photo records, screen displays photo list by time order, newest file is listed on the top.

- Choose operating command “View”, “Set As Background”, “Delete”, “Delete All” or “Back” by pressing “↑/↓”-» press “OK” to turn into operating.
- In View mode -» press “↑” to view the last photo, press “↓” to view the next photo
- After operation, press “EXIT” to turn back to photo operation menu.



## Info

Turn into “Record” to check call history.

- If there is no call history, screen displays “No files”.
- Choose operating command “Play” or “Delete” by pressing “↑/↓”, press “OK” to turn into operating
- If there is no MicroSD card, choose command “Play”, the screen displays “No Video File!” and turns back to Call History menu.
- In Play mode -» press “Ok” to pause and play -» press “EXIT” to exit
- When choose “Play” and if there is not MicroSD card, screen displays “No Video File!” and turns back to Call History Menu.
- In Play mode -» press “OK” to pause and play -» press “EXIT” to exit.
- After operation, press “EXIT” to turn back to call history operation menu.

**NOTE: Unplug the power and reset, all the call history will disappear.**



## Mode-vd

Enter into “Mode-vd” to set up video.

- Press“↑/↓”key -» set up “Automatically records” or “Manual records” -» press “OK” key to confirm and exit. Default setting is auto video (with MicroSD card) and manual photo.
- Press “EXIT” key to turn back to standby mode step by step.

**NOTE:** Auto video: If nobody replies in 5 seconds after connection, the indoor monitor starts up auto video (Factory default is auto video, if manual video is set, video recorded after calling) till being stopped or max. record time.



## Detection

Enter into Sense setup menu.

- Press“↑/↓”key -» choose “Close to detect” or “Open detection” -» press “OK” key to connect to outdoor unit -» you see on display „Connecting...”. press “OK” key to confirm and exit
- screen displays “success” when it finish



## Admin

Enter into Security Password menu.

- Press “MENU” key to choose figure of old or new password.
- Press“↑/↓”key -» adjust figure -» press “OK” key to set up
- If original password is right, screen shows “success!”, and then return to the setup menu.
- If original password is wrong, screen shows “password error”, and then return to code match menu, please set up again
- Press “EXIT” key to turn back to standby mode.



## Network

Enter the network Menu, input password (0000). If the password is wrong, screen shows "Password error!", "Please input again!" please input the right password.

Match code function: match code; give code; receive code; inform:

- **Match code** (Outdoor unit should connect to the Indoor monitor)
  - Select “Creating a network” on indoor monitor -» press “OK” key-» enter into the match code mode
  - Under the standby mode of outdoor unit -» long press “call” key-» loosen key until the sound of a “Beep” , enter into the match code mode

- If two units match successfully in 16 seconds, indoor monitor displays “**Success**”, outdoor unit makes “Beep- Beep-Beep” sounds, as the first outdoor unit
- If matching failed in 16 seconds, indoor monitor shows “**failed**”, the outdoor unit makes “Beep” sound
- Press “**EXIT**” key on the indoor monitor, exit menu, enter into the standby mode

**Note: If failed match, rematch the code after connection, otherwise, rematch the code after clear the code**

1. Indoor monitor clear code method: refer to the menu function -> network -> Leave the network
2. Outdoor unit clear code method:
  - A. Transformer supply: long press “Reset” key about one second, code cleared after a “tick” sound.
  - B. Battery supply: press “Reset” key and “doorbell key” at the same time till a “Beep”, code cleared.

## Pairing Additional Monitors or outdoor unit

**NOTE: By default, the monitor is paired with the outdoor unit. These instructions apply to pairing a second or third monitor.**

- **Start the network & Join the network** (match more indoor monitors and outdoor units ):
  - Choose “Start the network” on the old indoor monitor -> press “**OK**” key-> enter into “Start the network” mode
  - Added indoor monitor enters into the network menu -> choose “Leave the network” -> press “**OK**” key -> and then choose “Join the network” -> press “**OK**” key -> enter into the Join the network mode.
  - If code receiving finished in 16 seconds, exit code receiving mode after three “beep” sounds, and then enter into code menu.
  - Setup the user ID number for the new monitor.

- The added outdoor unit(finished clear code), under the standby mode-> keep pressing “**call**” key for 6 seconds until two “beep” sounds(“beep” once about 3 seconds) -> loosen the key to enter into Join the network mode.
- Outdoor unit make three “beep” sounds if receive code successfully, and as No. 2 outdoor unit.
- If failed to receive code in 16 seconds, exit receive code mode after one “beep” sound. Enter into the Code Menu (Outdoor unit enters into the standby mode)
- After code receiving finished, press “**OK**” key on code give unit to exit the code give mode, enter into the code menu.
- Press “**EXIT**” key to return to MENU gradually, then enter into standby mode
- After all units receive code finished, please use the No. 2 outdoor unit call all indoor monitors, if all code matched, receive code successfully; if not, clear code of the new unit (don't clear the code giving unit), reform the code giving and code receiving again.

### NOTE:

1. Do not set same ID number for every indoor monitors and outdoor units.
2. The original Password for code match menu is “0000”.
3. Inform function: after match code, give code, receive code, clear code and reset ID number, please inform. Inform: tell all units the pieces and ID numbers in the system.
4. Method of inform: outdoor unit calls all the indoor monitors (all indoor monitors should be matched), if there are two outdoor units, use the No. 2 outdoor unit to inform.

- **Clear Code (Leave the network)**

Indoor monitor clear code method:

Choose “network” option, press “**OK**” key to enter into password menu.

- Input the password to enter into code match menu (original password is 0000).If you input wrong password, system will inform you “Password Error!”, “Please Input Again!”, enter into the code match menu until input the right password

- Press “↑/↓”key -» choose “Leave the network” -» press “OK” key, enter into clear code menu.
- Press “↑/↓”key -» choose “Yes” (press “Quit” to exit if you don’t want to clear anything ), system will return to code menu automatically after code clear confirmed

Outdoor unit clear code method:

- long press “Reset” key -» install the battery -» till a second “Beep”-» loosen the key to enter into Join the network mode
- Outdoor unit make three “beep” sounds if clear code successfully



## User

Enter into Own ID Number to set up ID.

- Press“↑/↓”key -» set up ID number -» press ”OK” key -» confirm and exit ID Number setup menu
- Press “EXIT” key to turn back to standby mode step by step.

**NOTE:** Do not repeat ID number for every indoor monitors and outdoor units.



## Standby

Enter into Backlight Time menu to set up standby time, exit menu automatically after setup.

- Press“↑/↓”key-» increase and reduce standby time(10s-60s) -» press ”OK” key to setup and return to Backlight Time Setup menu.
- Press “EXIT” key to enter into the standby mode.



## Time

Enter into Time and Date Setup menu.

- Press “MENU” key to choose figure of time or date.
- Press“↑/↓”key to adjust the figure
- Press “OK” key to set up and return to Date Setup menu
- Choose “Show”, set “Y”, date will show. Set “N”, date will not show
- Press “EXIT” key to enter into the standby mode



## Ring

Enter into Ring menu.

- Press“MENU”key -» increase and reduce volume(1 (lower volume) & 8 (higher volume), there are a total of 8 volume levels) -» press “OK” key to set up and return to menu.
- Press “EXIT” key to turn back to standby mode



## Language

Enter into Language menu.

- Press“↑/↓”key -» set up “Language” -» press ”OK” key to confirm and exit
- Press “EXIT” key to turn back to standby mode

## Setup



Enter into Setup menu.

- Press “↑/↓”key -» Select item -» press “OK” key to confirm
- “Unlock set” --setup unlocking time: press “OK” and put the Network password select from 3s,6s or 8s & confirm with “OK”.
- “Alarm settings”--setup “ press “OK” and put the Network password. When password ok you see the following option: Open/Close/Clear history”
- “Equipment selection”--select “USB or Power” when connect to PC and press “OK”
- “Restore settings”--setup “Yes” or “No”
- Press “EXIT” key to turn back to standby mode

## Format



Enter into MicroSD format menu.

- Press “↑/↓”key -» set up “Yes”, all files on MicroSD card will be erased or “No”, you go back to the main menu without any changes -» press “OK” key to confirm and exit
- Press “EXIT” key to turn back to standby mode

## Version



Enter into Version menu.

- Press “OK” key to view version, return to setup menu
- Press “EXIT” key to turn back to standby mode step by step

## Battery and Charge

- Under the connection mode, when the outdoor unit is at low power, the indoor monitor will show “out low power” to remind you to charge for outdoor unit.
- This product can be charged by charger or by USB date line connected to computer, or remove the lithium battery, charge by the universal charger, support working while charging.
- Battery type: this product with high-quality battery.
- Charging and battery attentions, please reference the chapter “Warms and attentions” in this manual.

**NOTE:** Under the low power, video-recording, photo-taking and card reader function cannot work normally.

## Accessories

Manual, Waterproof case, Outdoor unit, Indoor monitor, Wall hung holder, 2x Charger (DC 9V), DC line, Lithium battery, 2x Screw M3, 7x Screw for waterproof case and holder

## Statement

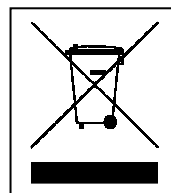
The standard configuration for KiVOS door phone is one indoor monitor and one outdoor unit. The door phone has finished code match and can be used directly. If you need more pieces of indoor monitors or outdoor units, please contact your local distributors (Maximum 2 outdoor units to 3 indoor monitors supported). For the added units, please reference the Give Code and Receive Code in the Code Menu.

## General faults and solutions

Cause(s)	Solution(s)
<b>Can not start up</b>	
Neglected to press switch button	Press switch button
Lithium battery is not installed	Install lithium battery
Low battery	Charge up lithium battery
No connection to power adapter when battery runs out	Connect to power adapter
<b>Cannot charge</b>	
Adapter connector does not connect to charging port of machine correctly	Reconnect correctly
Adapter does not connect to 110V- 240V alternating current	Plug into the socket to connect to alternating current
<b>Outdoor unit cannot call or connect to indoor monitor</b>	
Code match failed	Clear code, and re-match code
<b>Indoor monitor cannot call Indoor monitor</b>	
Code match failed Worry ID number	Clear code, and re-match code Setup ID number
<b>Image has noisy point or flickers</b>	
Handset is placed near to TV player, microwave oven, daylight lamp or mobile phone which produces electromagnetic wave interference	Keep handset far away from the interference items
<b>No signal for indoor monitor</b>	
Outdoor unit does not connect to the power	Connect to the power
Distance between outdoor unit and Indoor monitor is too far	Adjust to appropriate distance
Disturbed by magnetic field around	Keep handset far away from magnetic field



**Security and Disposal Hints for Batteries:** Hold children off batteries. When a child swallowed a battery go to a doctors place or bring the child into a hospital promptly! Look for the right polarity (+) and (-) of batteries! Always change all batteries. Never use old and new batteries or batteries of different types together. Never short, open, deform or load up batteries! **Risk of injury!** Never throw batteries into fire! **Risk of explosion!**



**Hints for Environment Protection:** Packages materials are raw materials and can be recycled. Do not disposal old devices or batteries into the domestic waste. **Cleaning:** Protect the device from contamination and pollution (use a clean drapery). Avoid using rough, coarse-grained materials or solvents/aggressive cleaner. Wipe the cleaned device accurately. **Important Notice:** Should battery fluid leak from a battery, wipe the battery case with a soft cloth dry. **Distributor:** Technaxx Deutschland GmbH & Co.KG, Kruppstr. 105, 60388 Frankfurt a.M., Germany