

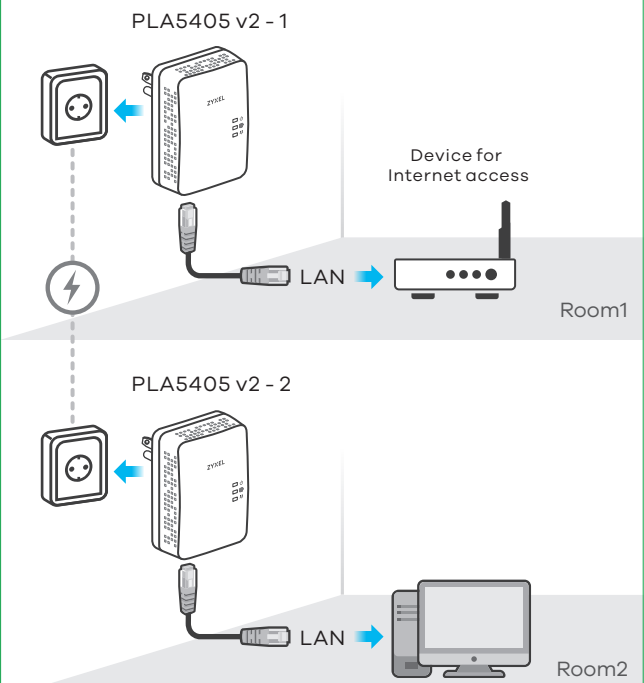
Quick Start Guide

PLA5405 v2
1300Mbps Powerline Gigabit Ethernet Adapter



ZYXEL ENGLISH | DEUTSCH | FRANÇAIS | ITALIANO | ESPAÑOL | NEDERLANDS | DANSK

A Hardware Installation



B Check LED Lights

Power

- Green: Power is on.

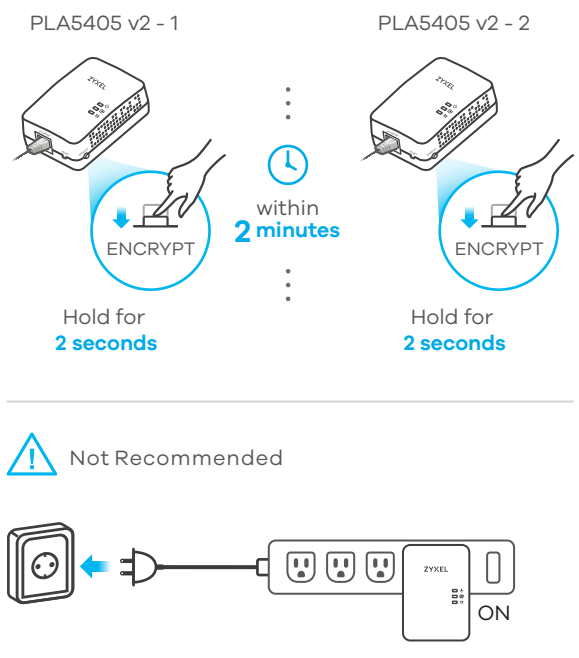
HomePlug

- Green: More than 80 Mbps - Best
- Amber: 20 to 80 Mbps - Good
- Red: 0 to 20 Mbps - see Troubleshooting

Ethernet

- Green: The Ethernet connection is up.

More Secure (Optional)



Troubleshooting

- If a power light does not come on, make sure the PLA is turned on.
- If an Ethernet light does not come on, please check the Ethernet cable.
- If the HomePlug light does not turn on, this means there is no communications between PLA devices. This can be due to other PLA devices not being plugged in to electrical outlets yet, PLA device is possibly in low power mode or there is an issue on the power circuit. Make sure that the PLAs are on the same power circuit. Test by connecting PLAs into nearby outlets. Make sure that you do not have a power meter between them.
- To minimize interference, move PLAs away from high powered electrical devices such as refrigerators, air-conditioners, microwave ovens, etc.
- When securing the Powerline network, make sure not to press the ENCRYPT buttons on both PLAs for more than 3 seconds. If the process fails, press the said buttons on both PLAs over 10 seconds to disconnect, then try to reconnect again.
- See the User's Guide for more troubleshooting tips and for instructions on how to use the ZyXEL PLA Series Configuration utility to manage all PLAs on your Powerline network(s).

ZYXEL
Your Networking Ally

Warranty Card



Thank you for purchasing a Zyxel product. Zyxel has a reputation for delivering high quality, high performance products and services to our customers. We recommend that you now visit the Zyxel website and register your product online. This will mean you can receive the latest firmware, drivers and product related information. If you still have further questions or enquiries related to the product, please contact our subsidiaries worldwide. Please note that warranty terms may vary by region. Full detailed information is available on our website, here: http://www.zyxel.com/support/warranty_information.shtml

Purchase Information

Zyxel Product Name: _____

Hardware Serial Number: _____

Date of Purchase: _____

(In certain countries, the warranty will be validated with seller's signature and stamp):

- EN** **A** Connect one PLA to a device for Internet access, such as a router. Connect the other PLA to a device requiring Internet over Powerline.
- DE** **A** Verbinden Sie unseren PowerLine Adapter (PLA) mit einem Gerät für den Internetzugang und einen anderen mit einem Gerät, das Internet über Powerline bezieht.
- FR** **A** Connecter une PLA à un appareil pour l'accès internet et une autre pour un appareil passant par une ligne électrique pour internet.
- IT** **A** Connettere uno dei PLA al router con accesso ad Internet, e l'altro al dispositivo che necessita di accesso a Internet tramite Powerline.
- ES** **A** Conecte un PLA a un dispositivo para acceso a Internet y otro a un dispositivo que necesite Internet por línea eléctrica.
- NL** **A** Sluit een PLA aan op een apparaat voor internettoegang en een andere op een apparaat met internet via Powerline.
- DK** **A** Tilslut en PLA til en enhed for internetadgang og en anden til en enhed der kræver internet over lysnettet.

- EN** **B** The HomePlug light indicates how good your Powerline connection is.
- DE** **B** Das HomePlug-Licht zeigt an, wie gut die Powerline-Verbindung ist.
- FR** **B** La lumière HomePlug indique la qualité de votre connexion électrique.
- IT** **B** Il led HomePlug indica la qualità della connessione tramite Powerline.
- ES** **B** La luz HomePlug indica la calidad de la conexión de su línea eléctrica.
- NL** **B** Het HomePlug lampje geeft aan hoe goed uw Powerline aansluiting is.
- DK** **B** HomePlug-lyset viser hvor god din forbindelse, via lysnettet, er.

- EN** **More Secure (Optional)**
The PLAs must have an active Ethernet connection to use the ENCRYPT button.
- DE** **Mehr Sicherheit (optional)**
Der PowerLine Adapter (PLA) benötigt eine Ethernet-Verbindung, um den VERSCHLÜSSELUNGS-Knopf nutzen zu können.
- FR** **Plus de Sécurité (option)**
Les PLAs doivent avoir une connexion Ethernet pour pouvoir utiliser le bouton ENCRYPT
- IT** **Più sicuro (Opzionale)**
I PLA devono avere una connessione Ethernet per poter usare il pulsante ENCRYPT
- ES** **Más seguro (opcional)**
Los PLAs debe tener una conexión Ethernet para usar el botón ENCRYPT.
- NL** **Veiliger (Optioneel)**
De PLA's dienen een Ethernet aansluiting te hebben om de ENCRYPT-toets te gebruiken.
- DK** **Mere sikker (Valgfri)**
PLA'er skal have en Ethernet-forbindelse for at bruge ENCRYPT-knappen (KRTPTERING).

Support Information

- | | |
|---|---|
| <p>North America USA</p> <p>☎ + 1 800 255 4101</p> <p>✉ support@zyxel.com</p> | <p>Italy</p> <p>☎ + 39 011 2308000</p> <p>✉ support@zyxel.it</p> |
| <p>UK</p> <p>☎ + 44 (0) 118 9121 700</p> <p>✉ support@zyxel.co.uk</p> | <p>Spain</p> <p>☎ + 911 792 100</p> <p>✉ soporte@zyxel.es</p> |
| <p>Germany</p> <p>☎ + 49 (0) 2405 6909 0</p> <p>✉ support@zyxel.de</p> | <p>Netherlands</p> <p>☎ +31 (0)88-00029112</p> <p>✉ support@zyxel.nl</p> |
| <p>France</p> <p>☎ + 33 (0)4 72 52 97 97</p> <p>✉ support@zyxel.fr</p> | <p>Denmark</p> <p>☎ + 45 30 55 07 00</p> <p>✉ support@zyxel.dk</p> |

See the User's Guide at www.zyxel.com for more information, including customer support and safety warnings.

EU Importer
Zyxel Communications A/S
Generatorvej 8D, 2860 Søborg, Denmark.
<http://www.zyxel.dk>

US Importer
Zyxel Communications, Inc
1130 North Miller Street Anaheim, CA 92806-2001
<http://www.us.zyxel.com>

Quick Start Guide

PLA5405 v2

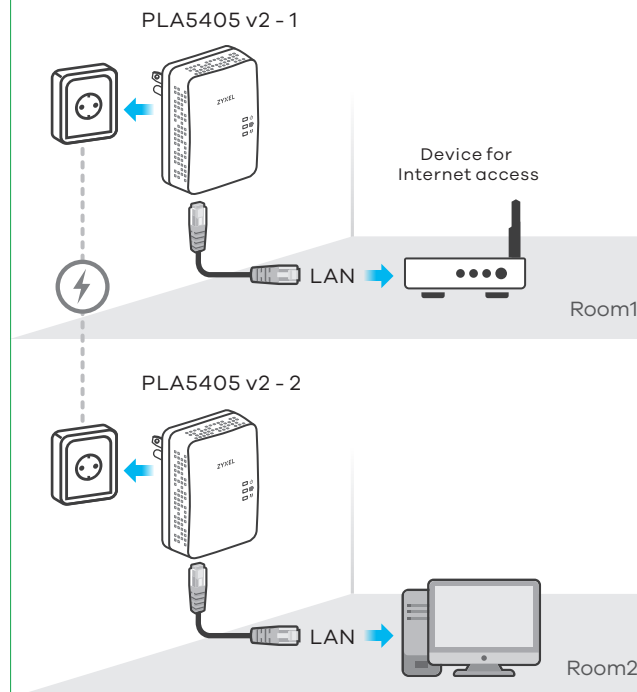
1300Mbps Powerline Gigabit Ethernet Adapter



ZYXEL

ENGLISH | NORSK | SUOMI | SVENSKA | ČEŠTINA | MAGYAR | ROMÂNĂ

A Hardware Installation



B Check LED Lights

Power

Green: Power is on.

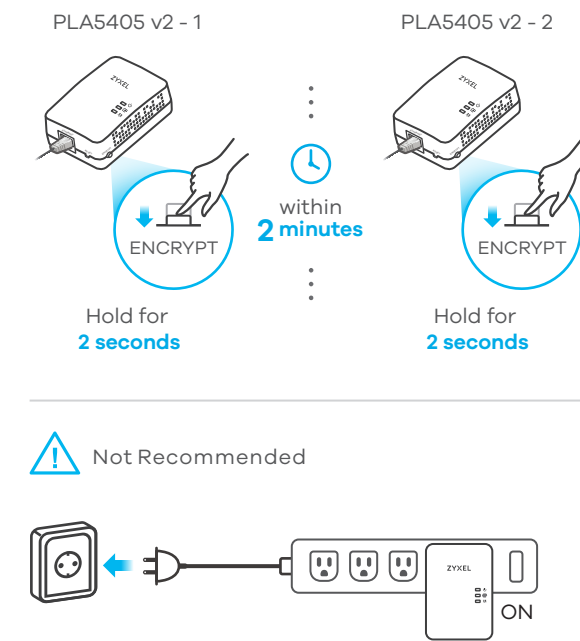
HomePlug

- Green: More than 80 Mbps - Best
- Amber: 20 to 80 Mbps - Good
- Red: 0 to 20 Mbps - see Troubleshooting

Ethernet

Green: The Ethernet connection is up.

More Secure (Optional)



Troubleshooting

- If a power light does not come on, make sure the PLA is turned on.
- If an Ethernet light does not come on, please check the Ethernet cable.
- If the HomePlug light does not turn on, this means there is no communications between PLA devices. This can be due to other PLA devices not being plugged in to electrical outlets yet, PLA device is possibly in low power mode or there is an issue on the power circuit. Make sure that the PLAs are on the same power circuit. Test by connecting PLAs into nearby outlets. Make sure that you do not have a power meter between them.
- To minimize interference, move PLAs away from high powered electrical devices such as refrigerators, air-conditioners, microwave ovens, etc.
- When securing the Powerline network, make sure not to press the ENCRYPT buttons on both PLAs for more than 3 seconds. If the process fails, press the said buttons on both PLAs over 10 seconds to disconnect, then try to reconnect again.
- See the User's Guide for more troubleshooting tips and for instructions on how to use the Zyxel PLA Series Configuration utility to manage all PLAs on your Powerline network(s).

ZYXEL

Your Networking Ally

Warranty Card



Thank you for purchasing a Zyxel product. Zyxel has a reputation for delivering high quality, high performance products and services to our customers. We recommend that you now visit the Zyxel website and register your product online. This will mean you can receive the latest firmware, drivers and product related information. If you still have further questions or enquiries related to the product, please contact our subsidiaries worldwide. Please note that warranty terms may vary by region. Full detailed information is available on our website, here: http://www.zyxel.com/support/warranty_information.shtml

Purchase Information

Zyxel Product Name:

Hardware Serial Number:

Date of Purchase:

(In certain countries, the warranty will be validated with seller's signature and stamp):

- EN** **A** Connect one PLA to a device for Internet access, such as a router. Connect the other PLA to a device requiring Internet over Powerline.
- NO** **A** Koble en PLA til en enhet for Internett-tilgang, og en annen til en enhet som skal ha Internett over strømmettet.
- FI** **A** Koble en PLA til en enhet for Internett-tilgang, og en annen til en enhet som skal ha Internett over strømmettet.
- SE** **A** Anslut en PLA till en enhet för Internetåtkomst och en annan till en enhet som kräver Internet via Powerline.
- CZ** **A** Jeden adaptér PLA připojte do zařízení, které má mít přístup k internetu, a další do zařízení, které vyžaduje internet prostřednictvím adaptéru Powerline.
- HU** **A** Csatlakoztasson egy PLA-t interneteléréssel rendelkező eszközhöz, majd csatlakoztasson hozzá egy készüléket, aminek internetelérésre van szüksége.
- RO** **A** Conectați un adaptor de rețea electrică la un dispozitiv pentru acces la internet și un altul la un dispozitiv care necesită internet prin rețeaua electrică.

- EN** **B** The HomePlug light indicates how good your Powerline connection is.
- NO** **B** HomePlug-lampen angir hvor god strømmettforbindelsen er.
- FI** **B** HomePlug-merkkivalo ilmaisee, kuinka hyvä Powerline-yhteytesi on.
- SE** **B** HomePlug-lampan indikerar hur bra din Powerline-anslutning är.
- CZ** **B** Světelný indikátor HomePlug označuje, jak kvalitní je připojení Powerline.
- HU** **B** A HomePlug fény jelzi, milyen jó a Powerline kapcsolatok.
- RO** **B** Lumina HomePlug indică nivelul conexiunii rețelei dvs. electrice.

- EN** **More Secure (Optional)**
The PLAs must have an active Ethernet connection to use the ENCRYPT button.
- NO** **Mer sikker (valgfritt)**
PLA-ene må ha en Ethernet-tilkobling for å bruke ENCRYPT-knappen.
- FI** **Lisäturva (valinnainen)**
PLA-sovittimien välillä on oltava Ethernet-yhteys, jotta ENCRYPT-painike on käytettävissä.
- SE** **Säkrare (tillval)**
PLA:er måste ha en Ethernet-anslutning för att använda knappen ENCRYPT.
- CZ** **Bezpečnější (volitelné)**
Chcete-li používat tlačítko ENCRYPT, musí být adaptéry PLA připojeny k síti Ethernet.
- HU** **Biztonságosabb (opcionális)**
A PLA-knak rendelkezniük kell Ethernet kapcsolattal az TITKOSÍTÁS gomb használatához.
- RO** **Mai multă siguranță (opțional)**
Adaptoarele de rețea electrică trebuie să aibă conexiune Ethernet pentru a utiliza butonul CRIPTARE.

Support Information

North America USA

+ 1 800 255 4101
support@zyxel.com

Czech

+ 420 241 774 665
support@cz.zyxel.com

Norway

+ 47 22 80 61 80
teknisk@zyxel.no

Hungary

+ 36 1 848 0690
support@zyxel.hu

Finland

+ 358 9 4780 8400
teknisk@zyxel.fi

Romania

info@ro.zyxel.com

Sweden

+ 46 8 557 760 60
support@zyxel.se

See the User's Guide at www.zyxel.com for more information, including customer support and safety warnings.

EU Importer
Zyxel Communications A/S
Generatorvej 8D, 2860 Søborg, Denmark.
<http://www.zyxel.dk>

US Importer
Zyxel Communications, Inc
1130 North Miller Street Anaheim, CA 92806-2001
<http://www.us.zyxel.com>

Copyright © 2017 Zyxel Communications Corp. All Rights Reserved.

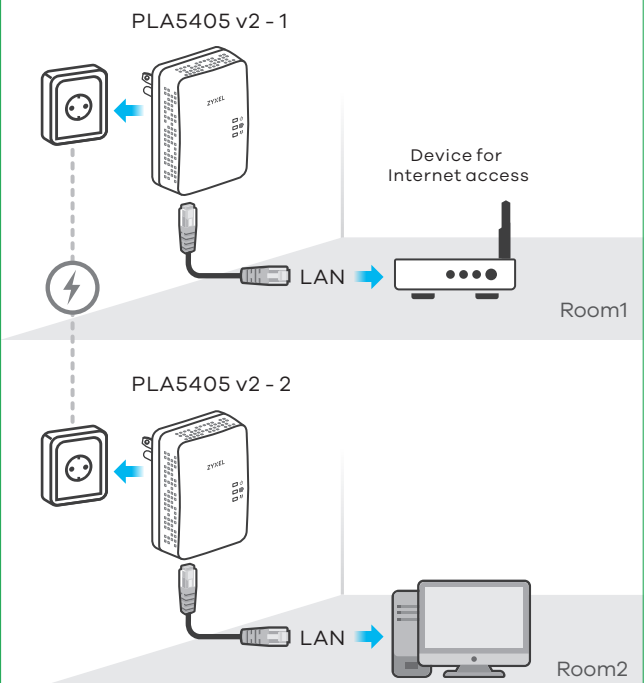
Quick Start Guide

PLA5405 v2
1300Mbps Powerline Gigabit Ethernet Adapter



ZYXEL ENGLISH | POLSKI | SLOVENŠČINA | SLOVENČINA | БЪЛГАРСКИ | ภาษาไทย | 繁體中文

A Hardware Installation



B Check LED Lights

Power

- Green: Power is on.

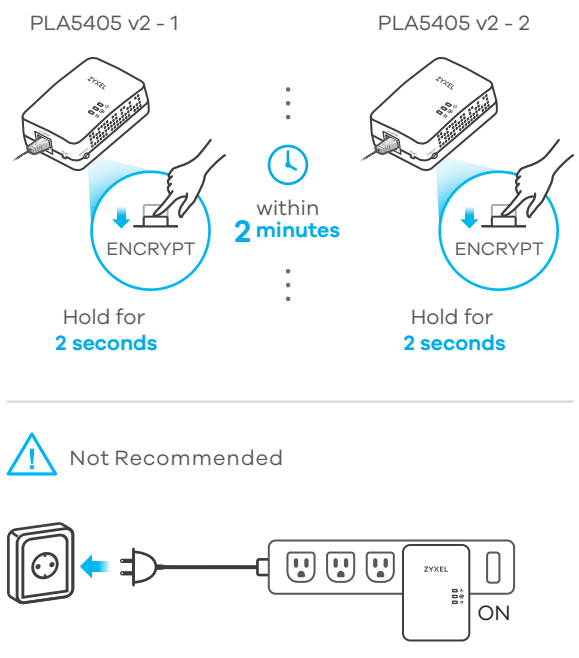
HomePlug

- Green: More than 80 Mbps - Best
- Amber: 20 to 80 Mbps - Good
- Red: 0 to 20 Mbps - see Troubleshooting

Ethernet

- Green: The Ethernet connection is up.

More Secure (Optional)



Troubleshooting

- If a power light does not come on, make sure the PLA is turned on.
- If an Ethernet light does not come on, please check the Ethernet cable.
- If the HomePlug light does not turn on, this means there is no communications between PLA devices. This can be due to other PLA devices not being plugged in to electrical outlets yet, PLA device is possibly in low power mode or there is an issue on the power circuit. Make sure that the PLAs are on the same power circuit. Test by connecting PLAs into nearby outlets. Make sure that you do not have a power meter between them.
- To minimize interference, move PLAs away from high powered electrical devices such as refrigerators, air-conditioners, microwave ovens, etc.
- When securing the Powerline network, make sure not to press the ENCRYPT buttons on both PLAs for more than 3 seconds. If the process fails, press the said buttons on both PLAs over 10 seconds to disconnect, then try to reconnect again.
- See the User's Guide for more troubleshooting tips and for instructions on how to use the Zyxel PLA Series Configuration utility to manage all PLAs on your Powerline network(s).

ZYXEL
Your Networking Ally

Warranty Card

Thank you for purchasing a Zyxel product. Zyxel has a reputation for delivering high quality, high performance products and services to our customers. We recommend that you now visit the Zyxel website and register your product online. This will mean you can receive the latest firmware, drivers and product related information. If you still have further questions or enquiries related to the product, please contact our subsidiaries worldwide. Please note that warranty terms may vary by region. Full detailed information is available on our website, here: http://www.zyxel.com/support/warranty_information.shtml

Purchase Information

Zyxel Product Name: _____

Hardware Serial Number: _____

Date of Purchase: _____

(In certain countries, the warranty will be validated with seller's signature and stamp.)

- EN** **A** Connect one PLA to a device for Internet access, such as a router. Connect the other PLA to a device requiring Internet over Powerline.
- PL** **A** Podłącz jedno PLA do urządzenia zapewniającego dostęp do Internetu, a drugie do urządzenia wymagającego dostępu do Internetu przez linię energetyczną.
- SL** **A** Povežite en vmesnik PLA na napravo za internetni dostop in drug vmesnik PLA na napravo, ki poveže internetni dostop prek napajalnega voda.
- SK** **A** Pripojte jedno zariadenie s adaptérom pre elektrickú sieť k zariadeniu na získanie prístupu do internetu a druhé k zariadeniu, ktoré vyžaduje internet cez elektrickú sieť.
- BG** **A** Свържете един PLA към устройство с интернет достъп и друг към устройство, изискващо интернет достъп по захранваща линия.
- TH** **A** เชื่อมต่ออะแดปเตอร์ไปยังอุปกรณ์สำหรับการเข้าถึงอินเทอร์เน็ตและอื่น ๆ ไปยังอุปกรณ์ที่ต้องใช้อินเทอร์เน็ตผ่านสายไฟฟ้า
- TW** **A** 請將其中一個 PLA 連接到裝置以存取網際網路，並將另一個連接到需要透過電力線存取網際網路的裝置。

- EN** **B** The HomePlug light indicates how good your Powerline connection is.
- PL** **B** Światelko na wtyczce wskazuje na jakość połączenia przez linię energetyczną.
- SL** **B** Svetilka HomePlug označi, kako dobra je povezava prek napajalnega voda.
- SK** **B** Indikátor na domovej zástrčke indikuje kvalitu pripojenia cez elektrickú sieť.
- BG** **B** Лампата HomePlug показва колко добра е Вашата връзка по захранваща линия.
- TH** **B** แสง HomePlug จะแสดงให้เห็นว่าการเชื่อมต่อสายไฟฟ้าของคุณดีขนาดไหน
- TW** **B** HomePlug 指示燈顯示電力線的連接狀態。

- EN** **More Secure (Optional)**
The PLAs must have an active Ethernet connection to use the ENCRYPT button.
- PL** **Bezpieczniejsze (opcjonalne)**
PLA wymagają połączenia Ethernet, aby skorzystać z przycisku SZYFRUJ.
- SL** **Bolj varno (neobvezno)**
Gumb ENCRYPT (kodiraj) deluje, če ima PLA eternetno povezavo.
- SK** **Lepšie zabezpečenie (voliteľné)**
Zariadenia s adaptérom pre elektrickú sieť musia mať Eternetové pripojenie, aby sa dalo používať tlačidlo ENCRYPT (šifrovať).
- BG** **По-безопасен (Опция)**
PLA трябва да имат Ethernet връзка, за да използват бутона ENCRYPT.
- TH** **ความปลอดภัยอื่น ๆ (ถ้ามี)**
อะแดปเตอร์จะต้องมีการเชื่อมต่ออีเธอร์เน็ตเพื่อใช้ปุ่ม ENCRYPT
- TW** **提高安全性 (選擇性)**
PLA 必須連上乙太網路才能使用 ENCRYPT 按鈕。

Support Information

<p>North America USA</p> <p>☎ +1 800 255 4101</p> <p>✉ support@zyxel.com</p>	<p>Thailand</p> <p>☎ +66 2831 5315</p> <p>✉ support@zyxel.co.th</p>
<p>Poland</p> <p>☎ +48 22 652 16 26</p> <p>✉ support@pl.zyxel.com</p>	<p>Taiwan</p> <p>☎ +886 2 2739 9889</p> <p>✉ retail@zyxel.com.tw</p>
<p>Slovakia</p> <p>☎ +421 220 861 848</p> <p>✉ soporte@sk.zyxel.com</p>	
<p>Bulgaria</p> <p>✉ support@zyxel.bg</p>	

See the User's Guide at www.zyxel.com for more information, including customer support and safety warnings.

EU Importer
Zyxel Communications A/S
Generatorvej 8D, 2860 Søborg, Denmark.
<http://www.zyxel.dk>

US Importer
Zyxel Communications, Inc
1130 North Miller Street Anaheim, CA 92806-2001
<http://www.us.zyxel.com>

Copyright © 2017 Zyxel Communications Corp. All Rights Reserved.