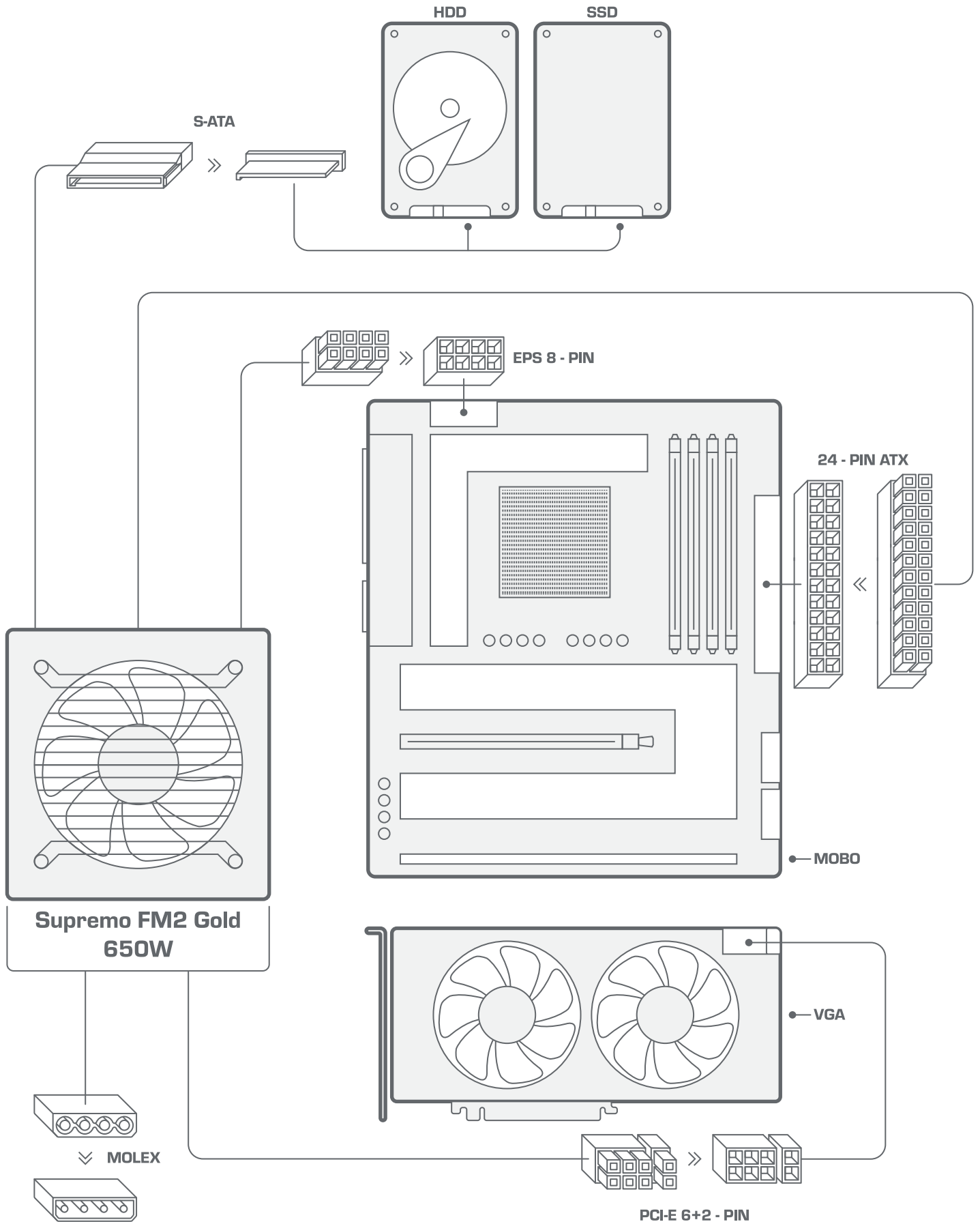




SILENTIUMPC

MANUAL

Supremo FM2 Gold 650W

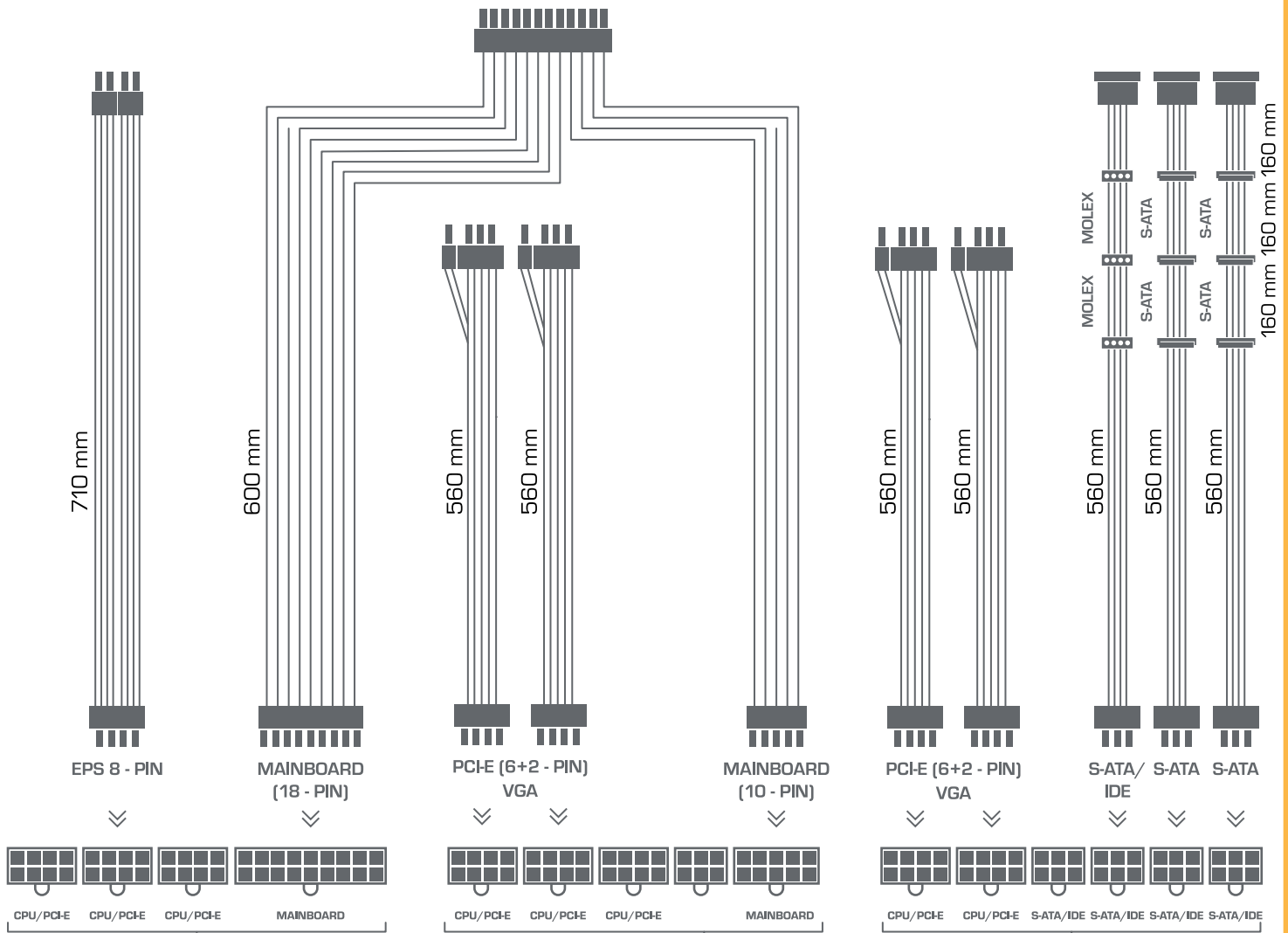
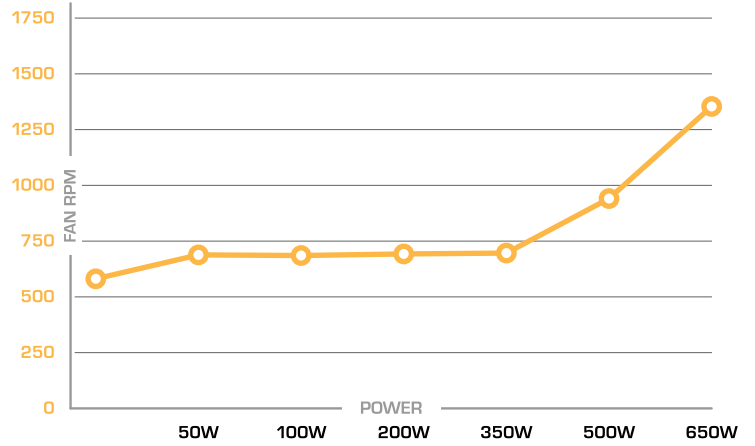


Supremo FM2 Gold

650W

AC INPUT / WEJŚCIE 100~240V, 12-6A, 63Hz-47Hz Active PFC
ATX 12V 2.31 EPS 12V 2.91/2.92 and older

DC Output	+12V	+3.3V	+5V	-12V	+5VSB
Max A	54	18	18	0.3	3
Max W	648	100	3.6	15	
Total	650W				



Supremo FM2 Gold 650W

