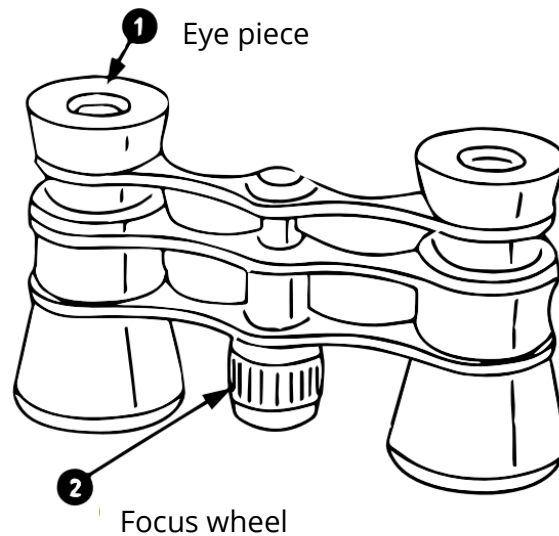


User's guide



Instructions for use

Adjust the Distance Between Your Eyes

The distance between the eyes, called interpupillary distance, varies from person to person. To achieve perfect alignment of lens to the eye, follow these simple steps.

1. Hold your binoculars in the normal viewing position.
2. Grasp the barrel firmly. Move the barrels closer together or further apart until you see a single circular field.

Focusing

For focusing your binoculars use the focus wheel.

Cleaning

Blow away any dust or debris on the lens (or use a soft lens brush). To remove dirt or fingerprints, clean with a soft cotton cloth rubbing in a circular motion. Use a coarse cloth or unnecessary rubbing that may scratch the lens surface and eventually cause permanent damage. For more thorough cleaning, photographic-type lens cleaning fluid can be used. Always spray the fluid to the cleaning cloth, never directly spray to the lens.

Caution

Looking at the sun at any time can damage your sight. **DO NOT USE THIS INSTRUMENT TO VIEW THE SUN**