



# Keybox 3

User Manual • Užívateľský manuál •  
Užívateľský manuál • Használati utasítás •  
Benutzerhandbuch

Dear customer,

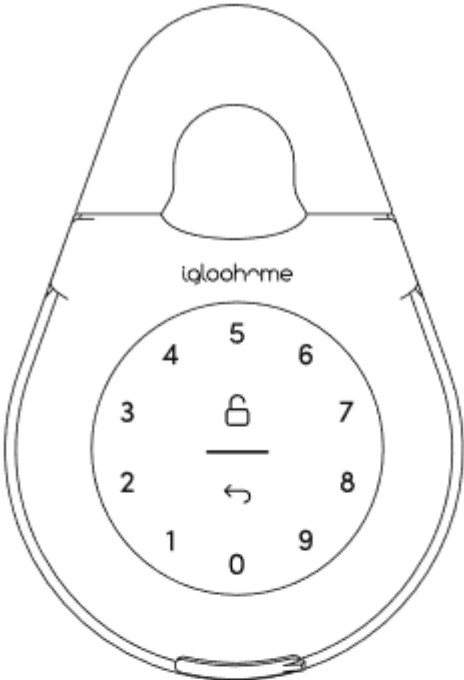
Thank you for purchasing our product. Please read the following instructions carefully before first use and keep this user manual for future reference. Pay particular attention to the safety instructions. If you have any questions or comments about the device, please contact the customer line.

✉ [www.alza.co.uk/kontakt](http://www.alza.co.uk/kontakt)

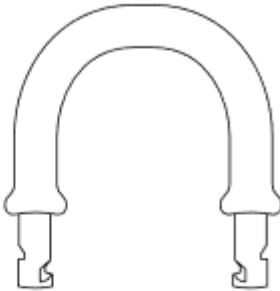
☎ +44 (0)203 514 4411

*Importer* Alza.cz a.s., Jankovcova 1522/53, Holešovice, 170 00 Praha 7, [www.alza.cz](http://www.alza.cz)

# What's included



Keybox 3



Slim Shackle



Mounting Seal Rings x2



Screwdriver



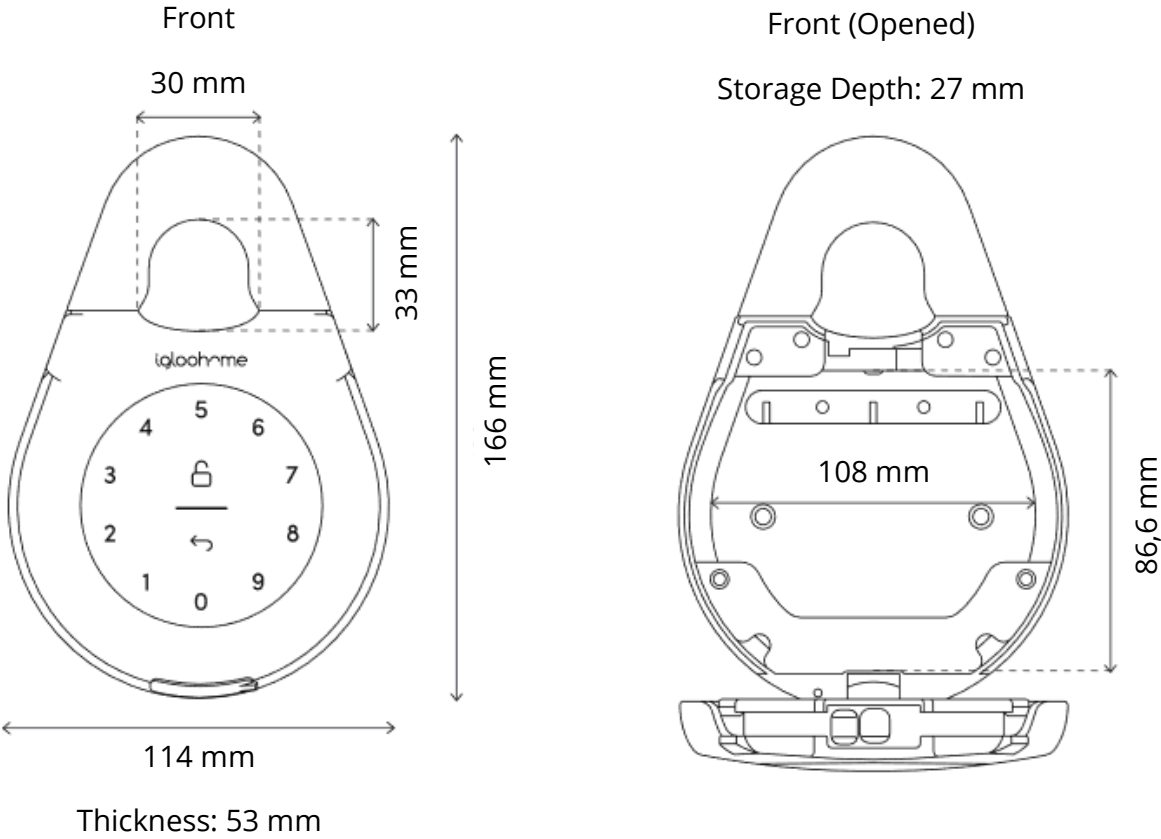
Mounting Screws x2



Screws Anchors x2

# Specifications

<b>Model</b>	Igloohome Smart Keybox 3
<b>Battery Type</b>	4 × AAA Alkaline Batteries
<b>Battery Life</b>	Up to 12 months
<b>Emergency Power</b>	USB-C Jumpstart
<b>Operation Temp</b>	-20 °C to 50 °C
<b>IP Rating</b>	IP66
<b>Body Material</b>	Zinc Alloy, Aluminium Alloy, Acrylic
<b>Shackle Material</b>	Hardened Steel, Rubber
<b>Weight</b>	Net: 1 kg, Gross: 1,3 kg
<b>Unlock Mechanism</b>	Bluetooth, PIN code



**\* DO NOT USE:** Heavy duty, Eveready, GP or rechargeable batteries. Duracell & Energizer alkaline batteries recommended. Please note that using better batteries will improve the performance and lifespan of the lock.

# Features

## Pin/Bluetooth Unlock

### Master PIN Code

The igloohome Keybox 3 unlocks with a permanent Master PIN code.

### User PIN Code

The igloohome mobile app can generate multiple types of User Pin codes e.g. One-Time, Permanent & Duration.

### Bluetooth Master Key

The igloohome Keybox 3 unlocks with Bluetooth via the app.

### Bluetooth Guest Key

The igloohome mobile app can generate and share Bluetooth keys with set duration with guests to unlock the Keybox 3.

## Battery

### Battery Life

The Keybox 3 can last up to 12 months via 4 AAA Alkaline battery.

### Emergency Jump Start

If battery power is drained, connect a USB-A to USB-C cable to a power bank then plug it into the USB-C jumpstart port on the keybox to provide emergency power.

### Low Battery Indicator

The Status indicator shows red light when battery level is 20 % and below, followed by a sound alert when the keypad is woken up. The battery level can also be monitored on the app and is updated during Bluetooth Unlock.

## Security

### Keypad Security Lockout

Lock will disallow any PIN entries and sound an alarm when there is several incorrect PIN attempts. User can configure number of incorrect attempts to trigger timeout.

### Auto Relock

The Keybox 3 relocks automatically when the product is closed. User can deactivate auto-relock function if they prefer manual relock.

### Masking Security Code

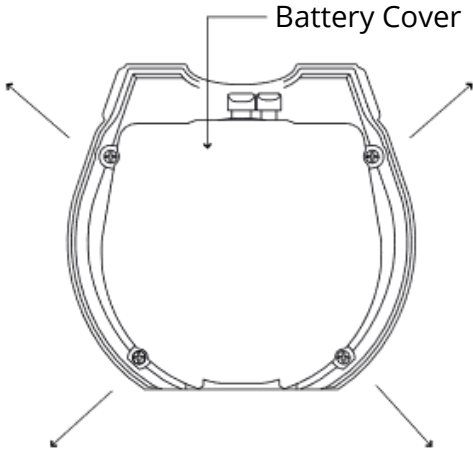
A total of 16 digits including the masking digits can be entered to prevent the PIN code from being exposed.

### Weather Resistant

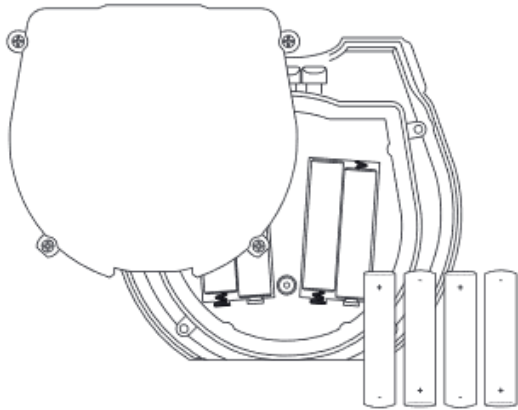
The Keybox 3 has certified protection against dust and water (IP66).

# Quick Start Guide

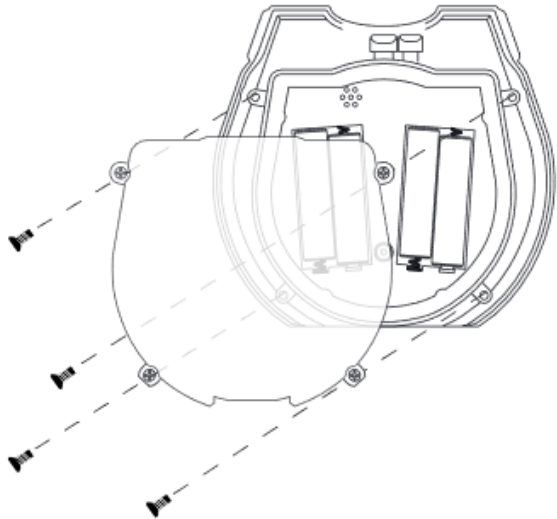
**1** Loosen the 4 screws and remove battery cover.



**2** Insert AAA Batteries



**3** Secure battery cover tightly with 4 screws



Please screw the battery cover tightly after inserting batteries to ensure optimal water resistance.

## App Onboarding

### Test Factory PIN Unlock

In the factory mode (before pairing), the PIN to unlock the lock is **1 2 3 4 5 6 7 8 9 0**.

### Register as a Lock User

Download igloohome from the App Store / Play Store, then create an account and login.

### Pairing

Tap "Add new igloohome lock".

Note: For existing users with other paired locks, go to "Configuration", tap "Add Locks" and follow the instructions.

### Setting Master PIN Code

Before proceeding, turn on your Bluetooth and ensure that you are within Bluetooth range of the lock.

Go to "Access" and customize your "Master PIN" by editing it.

## Managing Access in App

### Creating PIN codes

Pin codes can be generated on the app under "Access", tap "+Access" and choose either One-Time, Permanent or Duration PIN.

Pin Code will expire if it is not used within its activation period. Refer to the table below.

<b>PIN Type</b>	<b>Use PIN within *</b>
Permanent PIN	24 hrs of generation
One-Time PIN	24 hrs of generation
Duration PIN	24 hrs from the start time

Note: Duration PIN code end times can be customized within a 28-day timeframe. Past this timeframe, the end time will automatically be configured to the start time.

## Bluetooth Guest Key

Bluetooth Guest Key can be shared with other users for mobile access. It allows your guests to unlock the igloohome smart lock via Bluetooth.

There are 3 steps to use a Shared Bluetooth Key

1. Under "Access", tap "+Access" and choose "Bluetooth Key" under "Access Type"  
Proceed to share the key after it is created.

2. Guest receives the Bluetooth Key by one of these methods:

- Clicking the URL given and following the instructions
- Claiming Bluetooth Key under "Configuration"

3. Guest can now use the Bluetooth Key under the Guest Bluetooth Key Section whenever he/she is within the range of the lock.

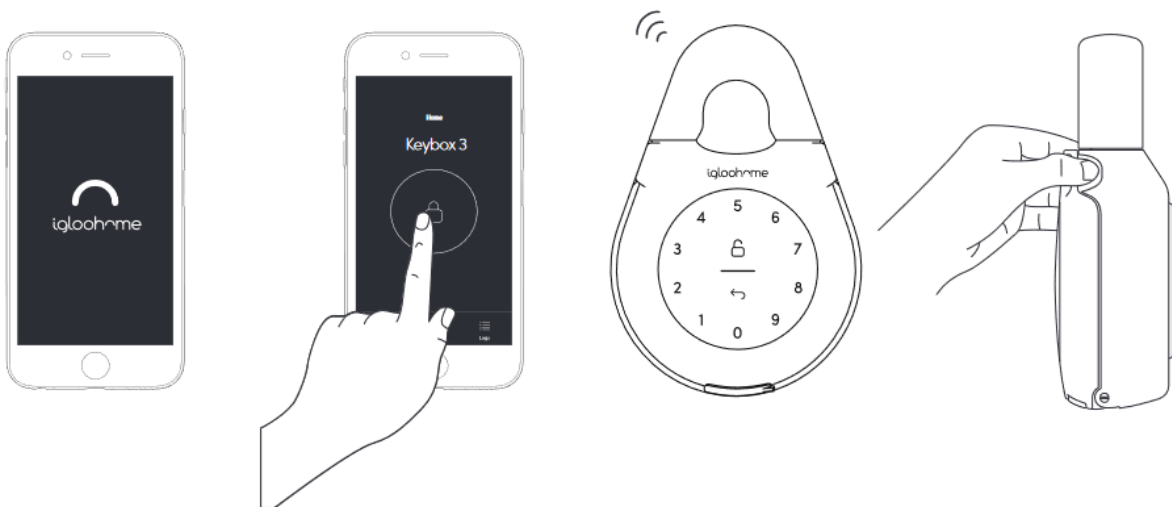
Notes:

- The owner can revoke the Bluetooth Key in App
- Bluetooth Key must be accepted within 1 hour generation before it expires.

## Unlocking

### Bluetooth Unlock

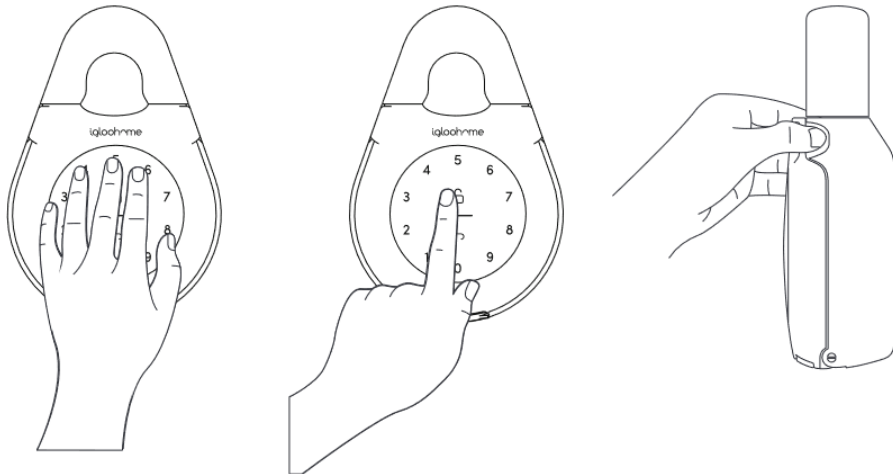
- Open your igloohome app.
- Tap on the "Bluetooth Unlock" button.
- The status indicator will flash green twice with 4 ascending tones once unlocked.





## PIN Code

- Press any button on the keypad to wake the device up.
- Key in a valid PIN code (with or without masking pins) followed by the “Unlock Icon”.
- The status indicator will flash green twice with 4 short ascending tones once unlocked.



## Locking

### Auto Relock

Simply close the keybox in place and status indicator will turn green with a long beep.

### Manual Relock

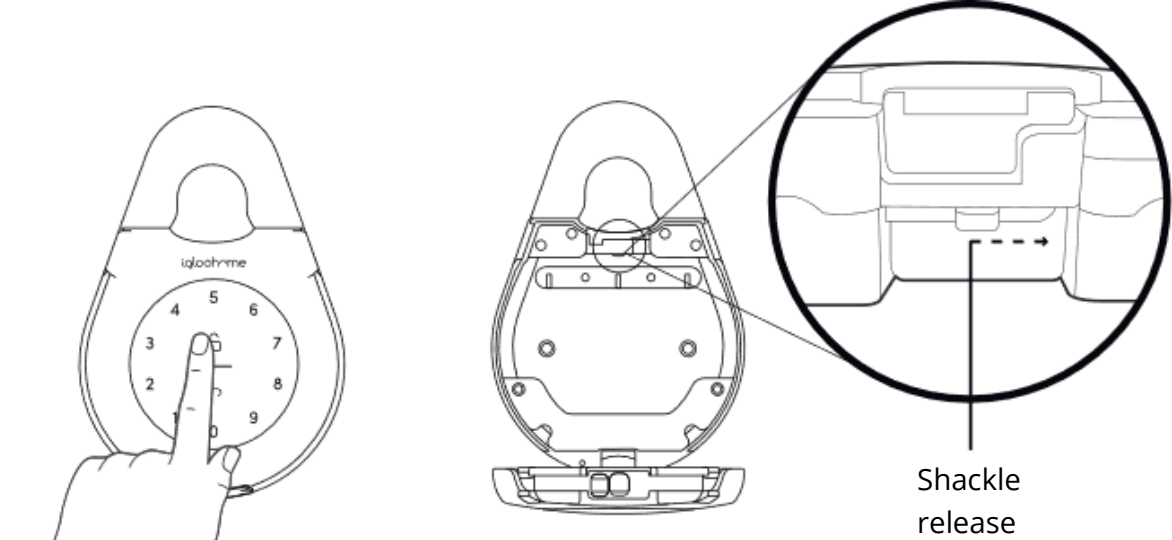
Press and Hold the Unlock Icon on the bottom right of the keypad for 2 seconds until the status indicator will show green with a long beep.

Note: Used when Auto Relock is “Off”.

# Lock Installation

## Secure Keybox on a handle or a knob

- Unlock the keybox.
- Push the shackle release to the right.
- Pull out the shackle.
- Secure on a handle or a knob.
- Insert back the shackle.



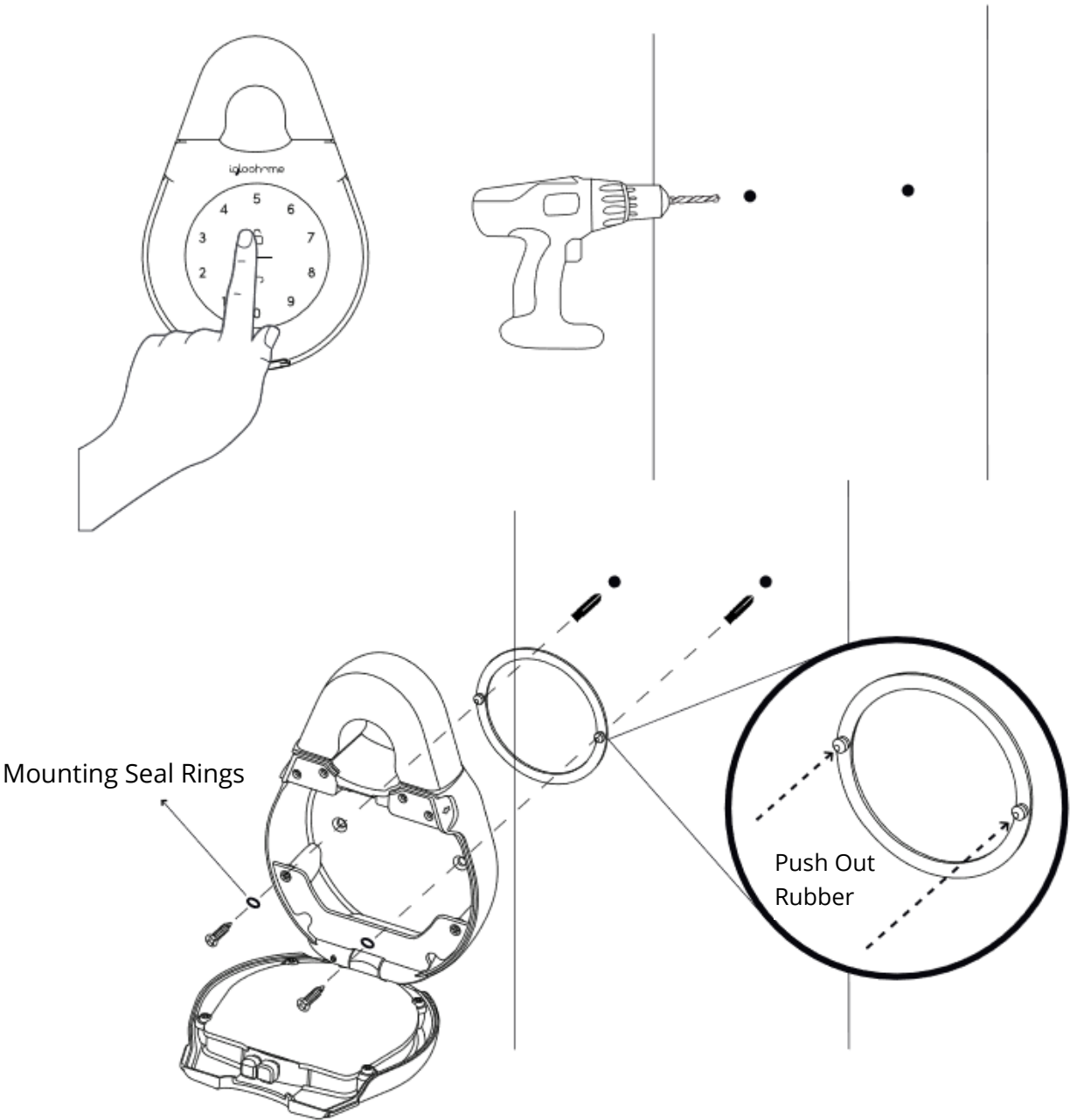
For door handles,  
use Regular Shackle

For doorknobs,  
use Slim Shackle



# Mount on a surface

- Unlock the keybox.
- Drill holes on a wall.
- Hammer the screw anchors into the holes.
- Mount the Keybox 3 on the wall with the mounting seal rings and 2 screws



# Lock Behaviour

Note: User is able to Enable and Disable Keypad Security Lockout via Bluetooth.

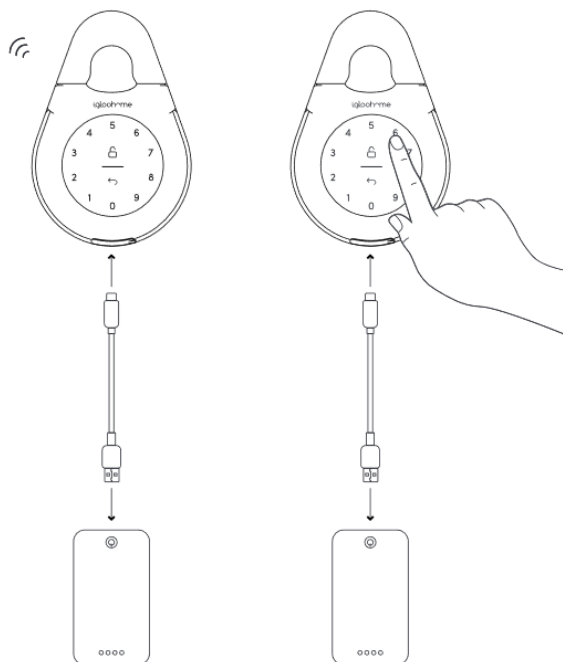
Keypad Security Lockout	
<b>Triggered by</b>	5 Consecutive PIN Code attempts by default (Configure via Bluetooth)
<b>Disable by</b>	After 1 / 5 / 10 Minutes or Master / Guest Bluetooth Unlock
<b>Behaviour</b>	Single flash White LED on keypad and Red LED on status indicator when keypad is triggered
<b>Duration</b>	Please refer to table below

Triggered	Security Alarm	Keypad Lockout
1 <sup>st</sup> Time	30 Sec	1 Min
2 <sup>nd</sup> Time	60 Sec	5 Min
3 <sup>rd</sup> and Consecutive Time	90 Sec	10 Min

# USB-C Jumpstart

## USB-C Jumpstart Feature

- Connect the USB-A to USB-C cable to a power bank then plug it onto the USB-C jumpstart port on the keybox.
- While the USB-A to USB-C cable is connected to the power bank, put in the PIN Code on the keypad followed by lock symbol to unlock.



## Audio and LED Indications

Actions	Indications
Bluetooth Connection	Status indicator flashes blue
Successfully Unlocked	Ascending 4 fast tones after unlocked and flash green LED 2 times
Successfully Locked	1 long beep after product is locked and Green LED for 2 seconds
Incorrect PIN	4 short beeps and flash Red 2 times
Deleted PIN	3 sets of 4 short beeps and flash Red 2 times
Obstruction Alarm	6 sets of 4 short beeps
Security Lockout Alarm	Low - High siren for 30 / 60 / 90 seconds
Security Lockout Deactivated	2 long beeps
Low Battery Alert	Descending 3 fast tones when keypad is woken up and breathing Red LED
Hard Reset / Unpair	Descending 4 slow tones
Power Start Up	2 slop beeps then 2 quick beeps

## Airbnb Connect

### Airbnb Connect

Airbnb Connect automates the generation of PIN codes for your Airbnb guests based on their approved reservations. It costs USD\$4.99 per month but is currently on free trial.

Here are the steps to activate Airbnb Connect:

Step 1: Connect to your Airbnb

Under "Account Settings", select "Connect with Airbnb", then tap "OK".

Step 2: Connect to Airbnb listings

Under "Reservations", tap the "Add" icon to select a home to connect to.

Select Airbnb listing and PIN time to associate.

Note:

- Emails with PIN code will be sent to the guest between 1 to 48 hours before check-in time (configurable).
- PINs will only be valid between the check-in and check-out times.

Step 3: Change Check-in and Check-out time

Under "Configuration", select "Manage Properties" followed by the listing to view or edit its details.

Notes:

- If the access mail has not been sent, changing your check-in/check-out time via the app modifies the start and end time of the PIN codes to be shared with your guest.
- If the access mail has been sent, changing these details will only affect the next reservation.
- Changing these details on the igloohome app does not update the check-in/check-out time on the listing on the Airbnb website.

## **Disconnect Airbnb**

You should prefer to generate PIN codes for your guests manually, you may disconnect your Airbnb listing from the igloohome listing with the steps below.

1. Under "Reservations", disconnect all the listings (if any).
2. Under "Account settings", select "Disconnect with Airbnb".

You should completely disconnect your Airbnb account from your igloohome account and make sure that all your Airbnb listings have been disconnected in the steps above. Then go to:

Airbnb Host Website > Connected Apps > Select igloohome to disconnect.

## **Troubleshooting**

### **I am unable to close the keybox**

- Do an unlock via PIN Code or Bluetooth and try to close the keybox again.
- Note that you might accidentally lock the keybox manually by holding the UNLOCK button for 2 seconds when the keybox is open.

### **I closed the Keybox but it did not relock automatically**

- Make sure Auto Relock is ON via the igloohome mobile app.
- If Auto Relock is ON and the keybox is still not working, try to lock the keybox manually by holding the UNLOCK button for 2 seconds.

### **I am unable to remove the battery cover screws.**

- Note that the screws are designed to be retained, therefore cannot be removed.
- Please loosen the screws to remove the battery cover.

### **I cannot scan the QR sticker as it is worn out.**

- Use the spare QR sticker that is provided in the Keybox box.

## **I tried to unlock the Keybox but the keypad went off and came back on with 2 slow and 2 quick beeps**

- The keybox has low battery.
- Use an USB-A to USB-C cable connected to a power bank to jumpstart the lock and unlock the KeyBox to replace the batteries.
- Refer to page 8 to know how to replace batteries.

## **The Keybox keypad flashes white and LED indicator flashes red when I activate the keypad**

- Keypad Security Lockout is triggered on the Keybox.
- Please refer to page 15.

## **I tried to use USB-C to jumpstart the lock but was unable to.**

- Please ensure USB-C connector is connected to the USB-C slot securely while unlocking it with PIN code or Bluetooth.
- Please unlock withing 20 seconds.
- Please ensure that the Power Bank has sufficient power.

## **I have generated my PINs from the app but they don't work**

- Do a Bluetooth Unlock or sync and try again.
- Make sure that the generated PIN codes are activated withing the activation period before it expires.

## **The Lock is not responding at all.**

- The Keybox's battery is flat
- Use an USB-A to USB-C cable connected to a power bank to jumpstart the lock and unlock the keybox to replace the batteries.
- Please unlock within 20 seconds.
- Refer to page 8 to know how to replace batteries.

## **What is the maximum thickness of the items that can be stored in the Keybox?**

- Any item that exceeds 25 mm in thickness may run the risk of triggering the obstruction alarm.

## Warranty Conditions

A new product purchased in the Alza.cz sales network is guaranteed for 2 years. If you need repair or other services during the warranty period, contact the product seller directly, you must provide the original proof of purchase with the date of purchase.

**The following are considered to be a conflict with the warranty conditions, for which the claimed claim may not be recognized:**

- Using the product for any purpose other than that for which the product is intended or failing to follow the instructions for maintenance, operation and service of the product.
- Damage to the product by a natural disaster, the intervention of an unauthorized person or mechanically through the fault of the buyer (e.g. during transport, cleaning by inappropriate means, etc.).
- Natural wear and aging of consumables or components during use (such as batteries, etc.).
- Exposure to adverse external influences, such as sunlight and other radiation or electromagnetic fields, fluid intrusion, object intrusion, mains overvoltage, electrostatic discharge voltage (including lightning), faulty supply or input voltage and inappropriate polarity of this voltage, chemical processes such as used power supplies, etc.
- If anyone has made modifications, modifications, alterations to the design or adaptation to change or extend the functions of the product compared to the purchased design or use of non-original components.



# EU Declaration of Conformity

## Identification data of the manufacturer's / importer's authorized representative:

Importer: Alza.cz a.s.

Registered office: Jankovcova 1522/53, Holešovice, 170 00 Prague 7

IČO: 27082440

## Subject of the declaration:

Title: Smart Keybox

Model / Type: IglooHome Smart Keybox 3 IGK3-02

## The above product has been tested in accordance with the standard(s) used to demonstrate compliance with the essential requirements laid down in the Directive(s):

Directive No. (EU) 2014/53/EU

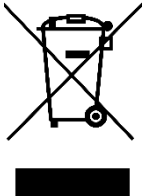
Directive No. 2011/65/EU as amended 2015/863/EU

Prague, 23.11.2020



## WEEE

This product must not be disposed of as normal household waste in accordance with the EU Directive on Waste Electrical and Electronic Equipment (WEEE - 2012/19 / EU). Instead, it shall be returned to the place of purchase or handed over to a public collection point for the recyclable waste. By ensuring this product is disposed of correctly, you will help prevent potential negative consequences for the environment and human health, which could otherwise be caused by inappropriate waste handling of this product. Contact your local authority or the nearest collection point for further details. Improper disposal of this type of waste may result in fines in accordance with national regulations.



Vážený zákazníku,

děkujeme za nákup našeho produktu. Prosím, přečtěte si pozorně následující instrukce pře prvním použitím a tento manuál si ponechte pro budoucí použití. Zvláštní pozornost věnujte bezpečnostním opatřením. Pokud máte nějaké otázky nebo připomínky ohledně tohoto produktu, neváhejte se obrátit na naši zákaznickou linku.

✉ [www.alza.cz/kontakt](http://www.alza.cz/kontakt)

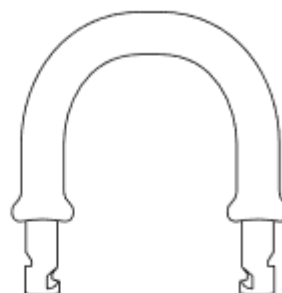
☎ +420 225 340 111

*Dovozce* Alza.cz a.s., Jankovcova 1522/53, Holešovice, 170 00 Praha 7, [www.alza.cz](http://www.alza.cz)

## Obsah balení



Keybox 3



Úzká spona



Montážní těsnící  
kroužky ×2



Šroubovák



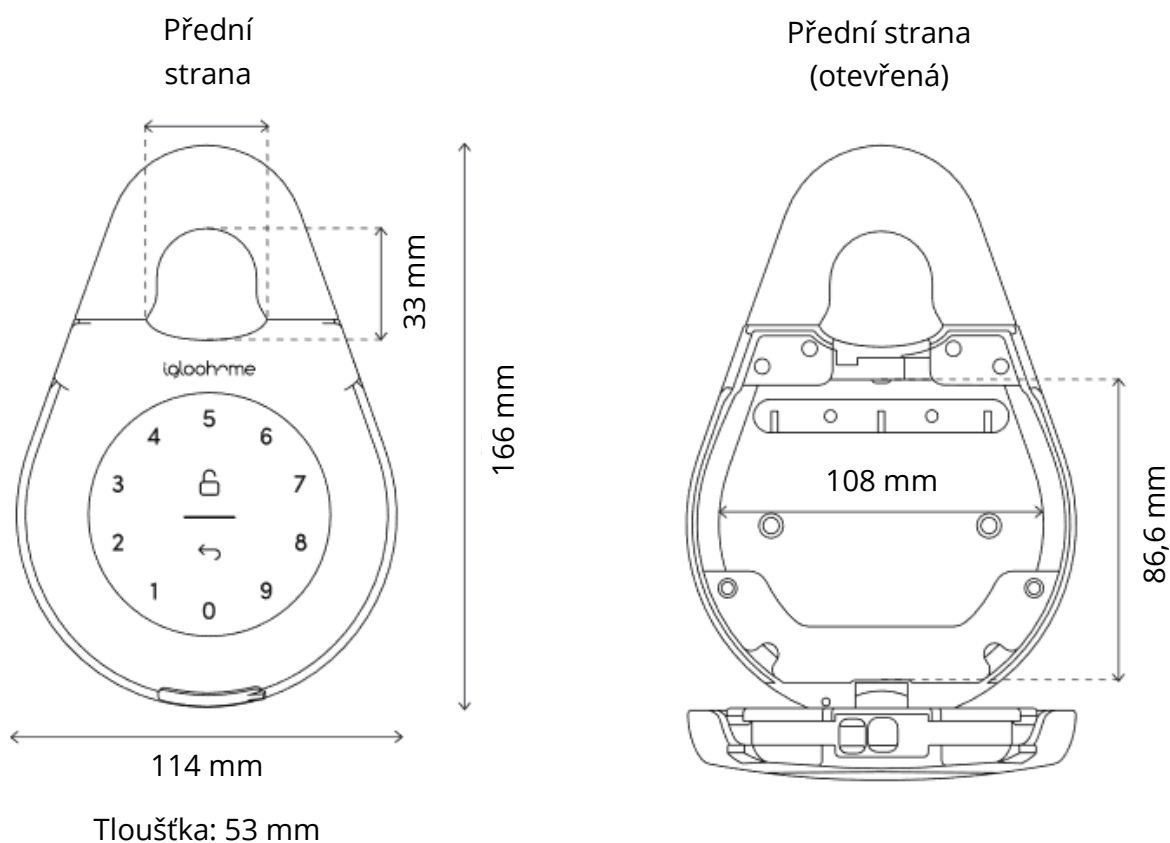
Upěvňovací šrouby



Hmoždinky ×2

## Technické údaje

<b>Model</b>	Igloohome Smart Keybox 3
<b>Typ baterií</b>	4 × AAA Alkalické baterie
<b>Životnost baterie</b>	Až 12 měsíců
<b>Nouzové napájení</b>	USB-C Jumpstart
<b>Provozní teplota</b>	-20 °C až 50 °C
<b>IP hodnocení</b>	IP66
<b>Materiál těla</b>	Slitina zinku, slitina hliníku, akryl
<b>Materiál oblouku</b>	Kalená ocel, guma
<b>Hmotnost</b>	Čistá: 1 kg, Hrubá: 1,3 kg
<b>Odemykáč mechanismus</b>	Bluetooth, PIN kód



**\*NEPOUŽÍVAT:** Heavy duty, Eveready, GP nebo dobíjecí baterie. Doporučujeme alkalické baterie Duracell nebo Energizer. Pamatujte, že používání lepších baterií zlepší výkon a životnost zámku.

## Funkce

### Pin kód/Bluetooth odemykání

#### Hlavní PIN kód

Schránka igloohome Keybox 3 se odemkne pomocí stálého hlavního PIN kódu.

#### Uživatelský PIN kód

Mobilní aplikace igloohome může vytvořit několik typů uživatelských PIN kódů, např. jednorázový, trvalý nebo založený na délce trvání.

#### Hlavní Bluetooth klíč

Schránka igloohome Keybox 3 se odemkne pomocí Bluetooth prostřednictvím aplikace.

#### Uživatelský Bluetooth klíč

Mobilní aplikace igloohome dokáže vygenerovat a sdílet Bluetooth klíče (jsou založeny na bázi délky trvání) s hosty na odemknutí schránky Keybox 3.

## Baterie

### Životnost baterie

Keybox 3 může vydržet až 12 měsíců se 4 AAA alkalickými bateriemi.

### Nouzové nastartování

Pokud je baterie vybitá, připojte kabel USB-A k USB-C a power bance a poté jej zapojte do portu USB-C Jumpstart na Keybox 3, abyste zajistili nouzové napájení.

### Indikátor vybitých baterií

Pokud je úroveň baterií 20 % a méně, stavový indikátor se rozsvítí červenou barvou a při dotyku klávesnice zazní signál. Úroveň nabití baterie lze také monitorovat v aplikaci a je aktualizována během Bluetooth odemknutí.

## Bezpečnostní funkce

### Bezpečnostní uzamknutí

Pokud byl zadán určitý počet nesprávných pokusů o zadání PIN kódu, zámek zamítne všechna zadání PIN kódu a zazní alarm. Uživatel může konfigurovat počet nesprávných pokusů na spuštění časového limitu.

### Automatické opětovné zamknutí

Keybox 3 se automaticky znovu uzamkne při zavření oblouku. Uživatel může deaktivovat funkci automatického opětovného uzamknutí, pokud preferuje manuálně opětovné zamknutí.

### Maskování bezpečnostního kódu

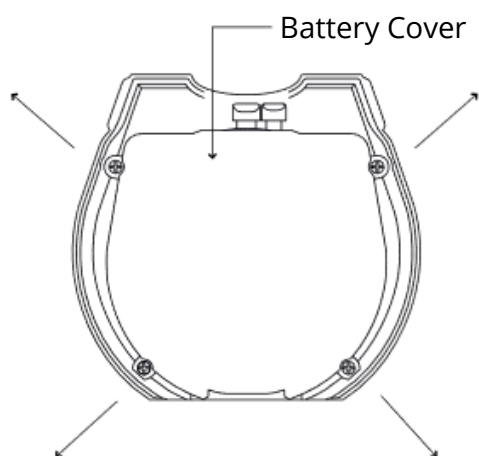
Celkově 16 číslic, včetně maskovacích číslic je možné zadat pro zabránění odhalení PIN kódu.

## Odolnost vůči počasí

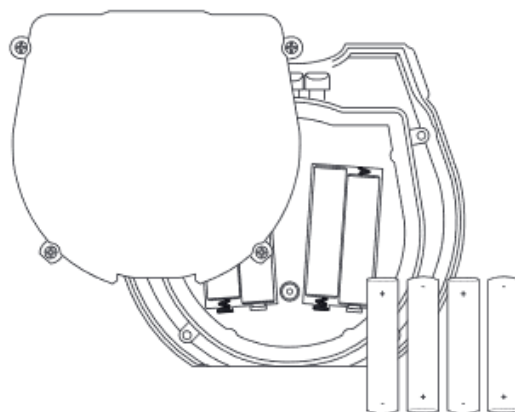
Schránka je schopna odolat povětrnostním vlivům pomocí ochrany proti prachu a vodě (IP66).

## Rychlý návod

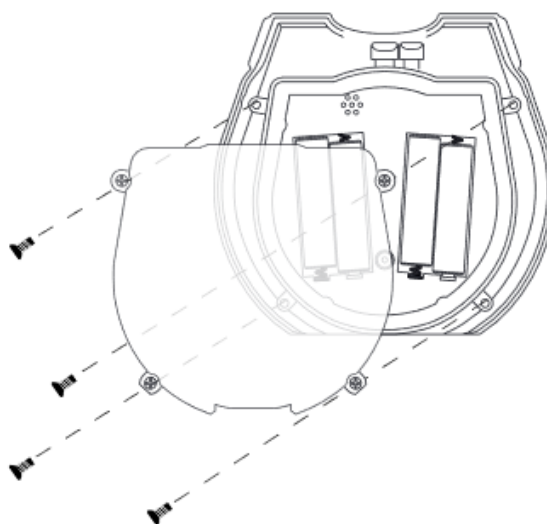
- 1** Uvolněte 4 šrouby a sejměte kryt baterie.



- 2** Vložte AAA baterie.



- 3** Kryt baterie pevně zajistěte 4 šrouby.



Po vložení baterií prosím pevně zašroubujte kryt baterií, aby byla zajištěna optimální odolnost proti vodě.

## Použití aplikace

### Zkouška výrobního PIN kódu na odemknutí

Ve výrobním režimu (před spárováním), je PIN kód na odemknutí **1 2 3 4 5 6 7 8 9 0**.

### Registrování jako uživatel zámku

Stáhněte si igloohome aplikaci z App Store/Play Store, poté si vytvořte účet a přihlaste se.

### Spárování

Zvolte možnost [Add new igloohome lock] (Přidat nový zámek igloohome).

Poznámka: V případě stávajících uživatelů s jinými spárovanými zámky, přejděte k části [Configuration] (Konfigurace), zvolte [Manage Locks] (Správa zámků) a pokračujte podle pokynů.

### Nastavení hlavního PIN kódu

Než začnete, zapněte svou funkci Bluetooth a ujistěte se, zda se nacházíte v dosahu Bluetooth zámky.

Přejděte k [Access] (Přístup) a upravte si svůj [Master PIN] (Hlavní PIN kód) jeho úpravou.

## Spravování přístupu v aplikaci

### Vytváření PIN kódů

PIN kódy je možné vygenerovat v aplikaci v části [Access] (Přístup), potvrďte [New Key] (Nový klíč) a zvolte buď jednorázový PIN kód, trvalý PIN kód nebo čas platnosti PIN kódu.

PIN kódy vyprší, pokud je nepoužijete během období aktivace. Viz tabulka níže.

<b>Typ PIN kódu</b>	<b>Použijte PIN kód v rozsahu*</b>
Trvalý PIN kód	24 hodin od vytvoření
Jednorázový PIN kód	24 hodin od vytvoření
Doba platnosti PIN kódu	24 hodin od spuštění času

Poznámka: Čas ukončení doby platnosti PIN kódu lze přizpůsobit v rámci 28denního časového rámce. Po uplynutí tohoto časového rámce, se čas ukončení automaticky konfiguruje na čas začátku.



## Bluetooth hostitelský klíč

Bluetooth hostitelský klíč lze sdílet s ostatními uživateli pro mobilní přístup. Umožňuje vašim hostům odemknout igloohome inteligentní zámek prostřednictvím Bluetooth.

Zde jsou tři kroky ke sdílení Bluetooth klíče:

1. V části [Access] (Přístup), vytvořte položku [New Key] (Nový klíč) a zvolte [Bluetooth Key] (Bluetooth klíč) v části [Access Type] (Typ přístupu). Pokračujte sdílení klíče po jeho vytvoření.

2. Host přijme Bluetooth klíč jedním z těchto způsobů:

- Kliknutím na zadanou URL adresu a postupováním podle pokynů.
- Přihlaste Bluetooth klíč v části [Configuration] (Konfigurace).

3. Host bude moci nyní používat Bluetooth klíč v části hostitelského Bluetooth klíče vždy, když se bude on/ona nacházet v dosahu zámku.

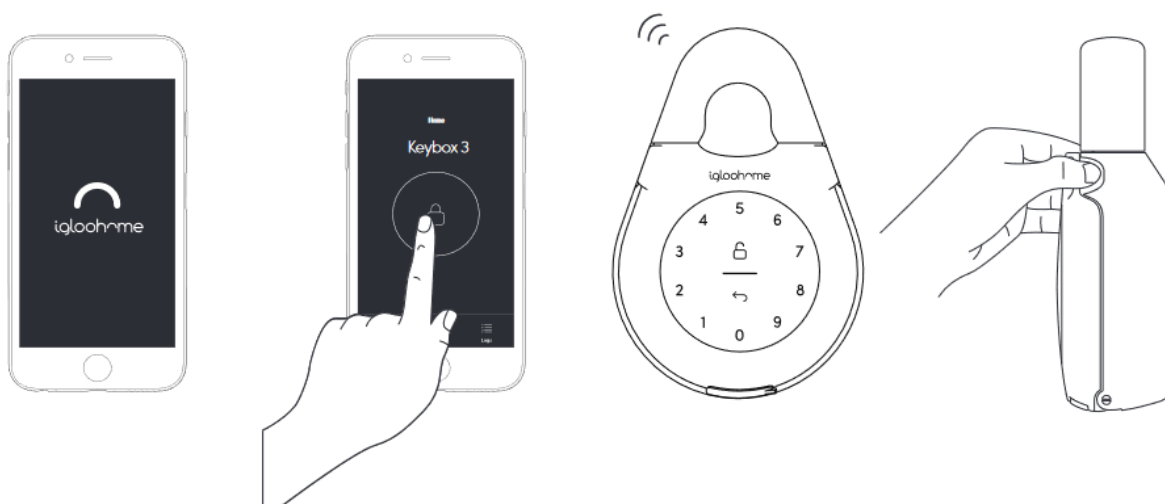
Poznámky:

- Vlastník si bude moci zrušit Bluetooth klíč v aplikaci.
- Bluetooth klíč bude muset být přijat v průběhu 1 hodiny vytvoření před vypršením jeho platnosti.

## Odemykání

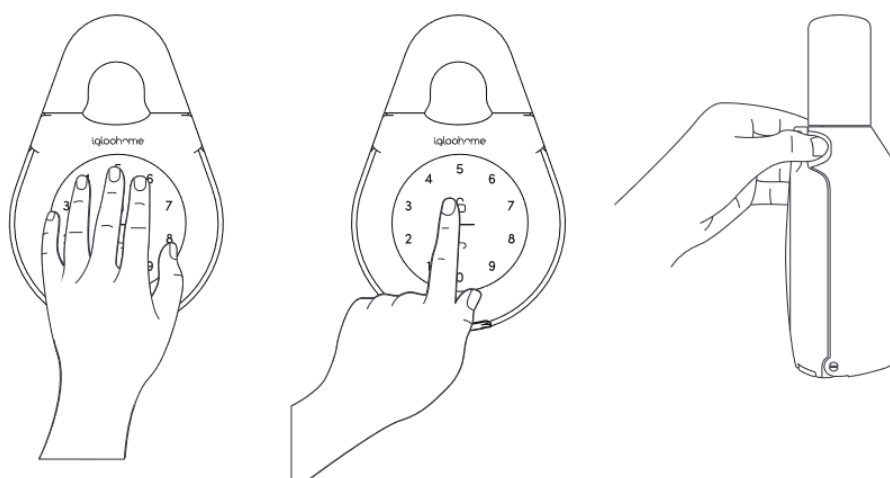
### Bluetooth odemykání

- Otevřete svoji igloohome aplikaci.
- Poklepejte na tlačítko „Bluetooth Unlock“
- Po odemknutí stavový indikátor dvakrát blikne zelenou barvou spolu se čtyřmi vzestupnými tóny



## PIN kód

- Stiskněte jakékoliv tlačítko na klávesnici, čímž probudíte zařízení
- Zadejte platný PIN kód (ať už s nebo bez maskovacího PIN kódu) a stiskněte „Ikona odemknutí“
- Po odemknutí stavový indikátor dvakrát blikne zelenou barvou spolu se čtyřmi vzestupnými tóny



## Zamykání

### Automatické opětovné zamknutí

Jednoduše zavřete oblouk zámku na své místo a stavový indikátor se rozsvítí zelenou barvou a zazní dlouhý akustický signál.

## **Manuální opětovné zamknutí**

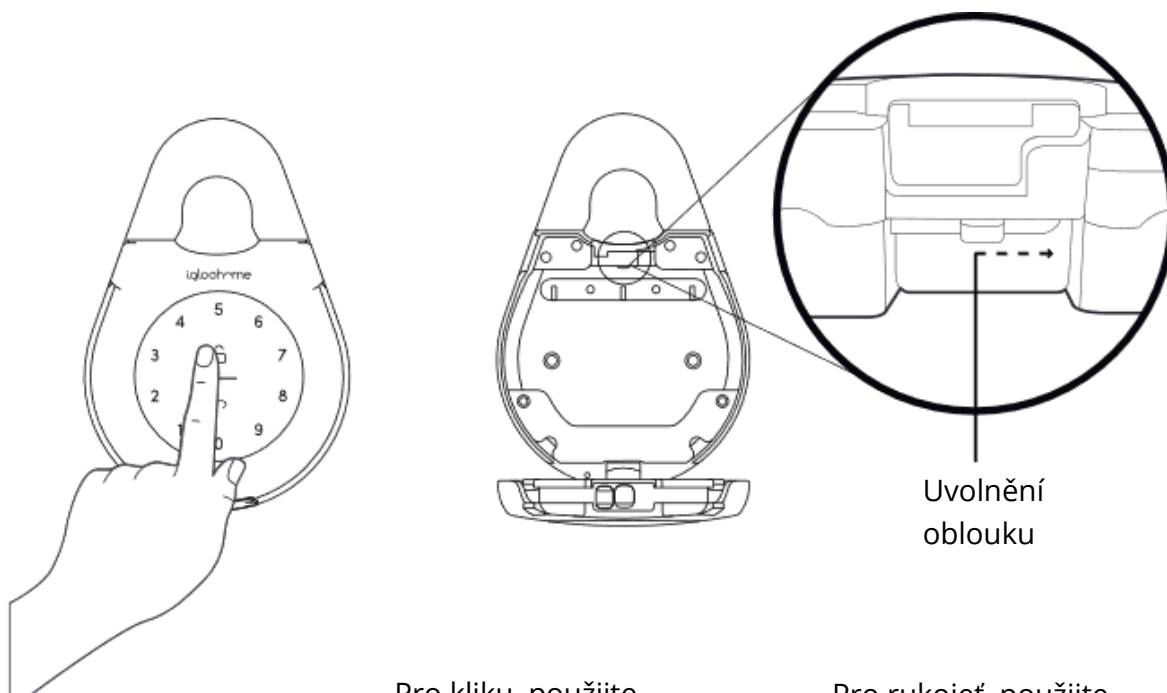
Na dvě sekundy stiskněte a podržte ikonu odemknutí na pravé spodní části klávesnice, dokud se stavová kontrolka nerozsvítí zelenou barvou a nezazní dlouhý akustický signál.

Poznámka: Používá se tehdy, když je vypnutá funkce automatického opětovného zamknutí.

## Instalace zámku

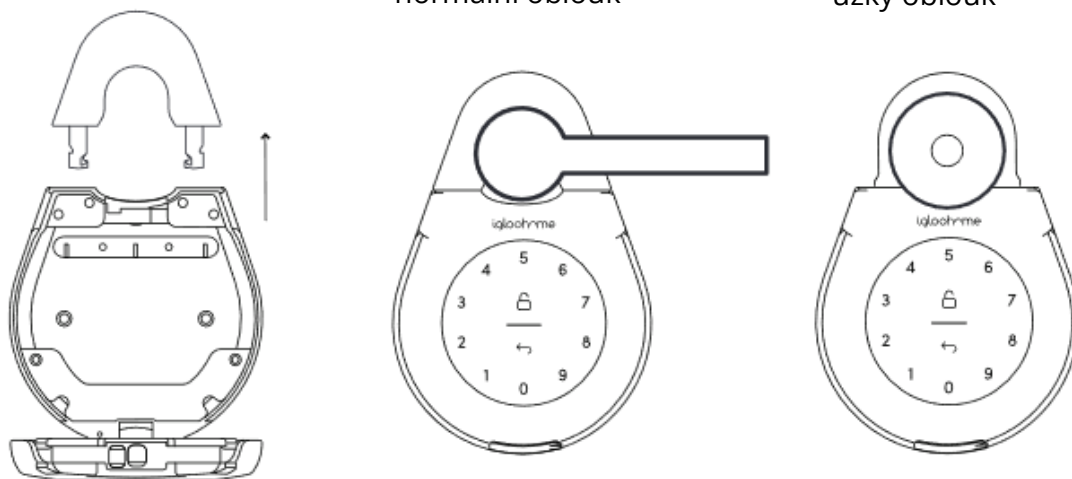
### Zajistěte Keybox na rukojeť nebo kliku

- Odemkněte Keybox.
- Zatlačte oblouk doprava.
- Vytáhněte oblouk.
- Zajistěte Keybox na rukojeť nebo kliku.
- Vložte oblouk zpátky.



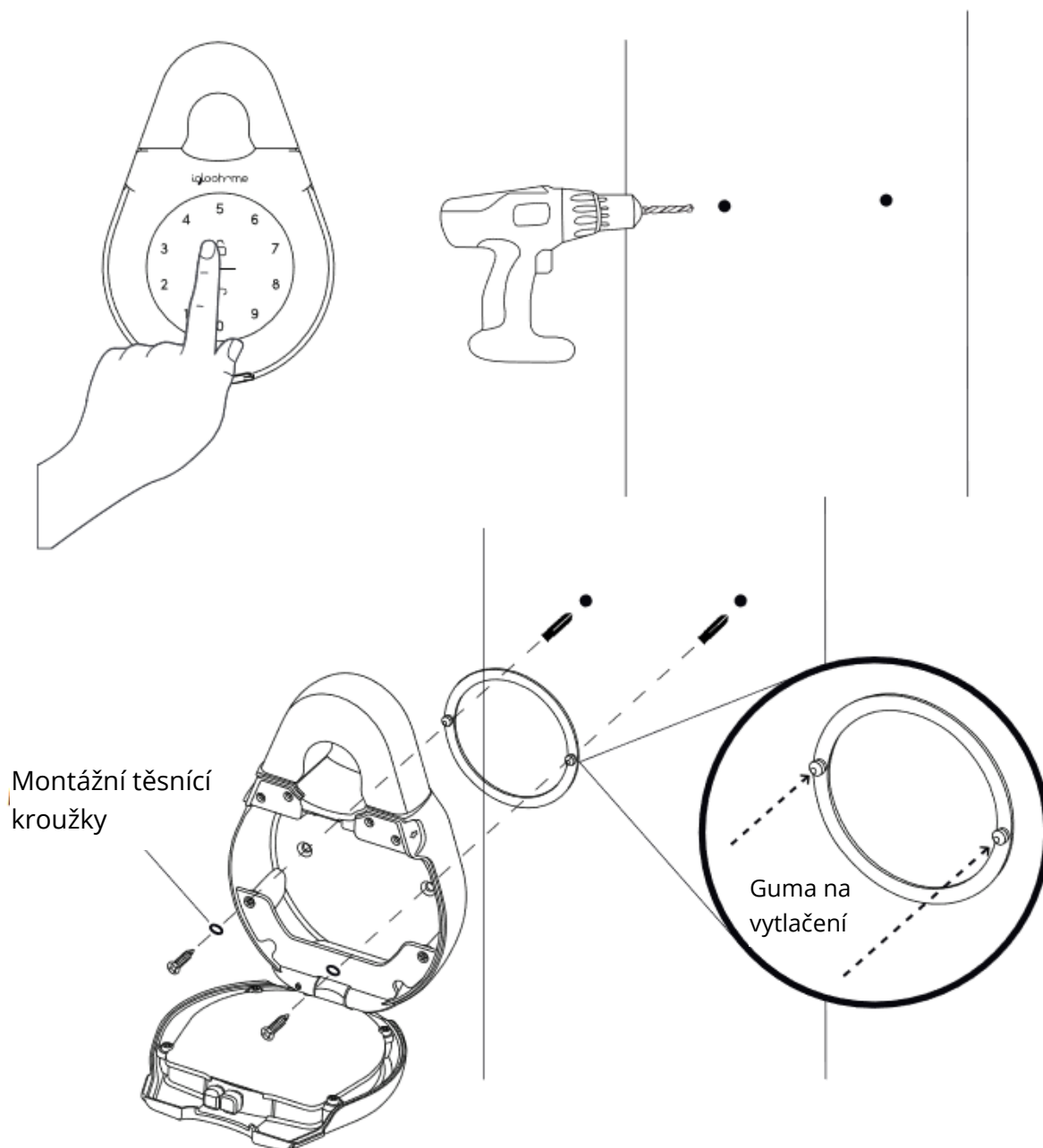
Pro kliku, použijte normální oblouk

Pro rukojeť, použijte úzký oblouk



## Namontování na povrch

- Odemkněte Keybox.
- Vyvrtejte otvory ve zdi.
- Do děr zatlučte hmoždinky.
- Připevněte Keybox 3 na zeď pomocí montážních těsnících kroužků a šroubů.



## Způsoby chování se zámku

Poznámka: Uživatel je schopen zapnout a vypnout bezpečnostní uzamknutí klávesnice prostřednictvím Bluetooth.

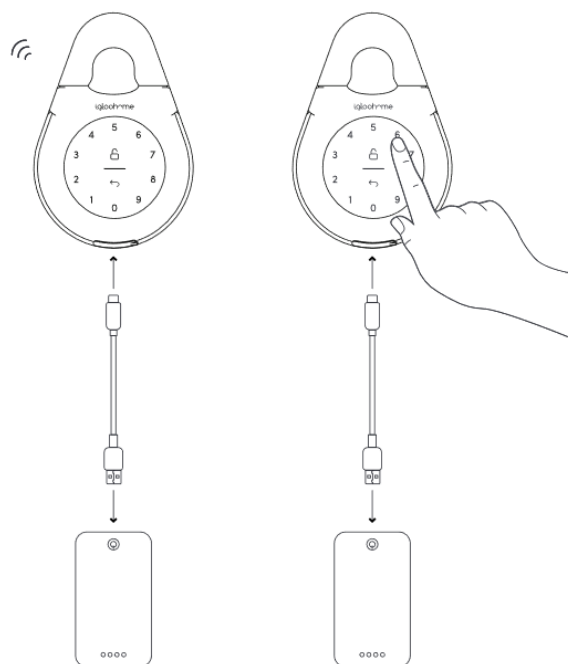
	<b>Bezpečnostní uzamknutí</b>
<b>Aktivováno</b>	5 po sobě jdoucích neplatných PIN kódů (Konfigurovatelné prostřednictvím Bluetooth)
<b>Deaktivováno</b>	Po uplynutí 1/5/10 minut nebo Hlavní/Hostitelské Bluetooth odemknutí
<b>Chování</b>	Jedno bliknutí bílého LED indikátoru na klávesnici a červený LED stavový indikátor, když je klávesnice spuštěna
<b>Délka trvání</b>	V tabulce níže

<b>Triggered</b>	<b>Security Alarm</b>	<b>Keypad Lockout</b>
1 <sup>st</sup> Time	30 Sec	1 Min
2 <sup>nd</sup> Time	60 Sec	5 Min
3 <sup>rd</sup> and Consecutive Time	90 Sec	10 Min

## USB-C Jumpstart

### USB-C Jumpstart funkce

- Připojte kabel USB-A k USB-C k power bance a poté jej zapojte do portu USB-C Jumpstart na zámku.
- Když je kabel USB-A a USB-C připojen k powerbance, odemkněte PIN kódem na klávesnici následovaným symbolem zámku.



## Zvukové a LED indikace

Činnost	Indikace
Bluetooth připojení	Stavový indikátor bliká modrou barvou
Úspěšné odemknutí	Vzestupné 4 rychlé tóny po odemknutí a dvojnásobné bliknutím LED indikátoru zelenou barvou
Úspěšné zamknutí	Jeden dlouhý akustický signál po zamknutí zámku a zelený LED indikátor na dvě sekundy
Nesprávný PIN kód	Čtyři krátké akustické signály a dvojnásobné bliknutí červenou barvou
Smazaný PIN kód	Tři série čtyř krátkých akustických signálů a dvojnásobné bliknutí červenou barvou
Obstrukční alarm	Šest sérií čtyř krátkých akustických signálů
Alarm bezpečnostního uzamknutí	Nízká - Vysoká siréna v trvání 30/60/90 sekund
Deaktivace bezpečnostního uzamknutí	Dva dlouhé akustické signály
Alarm vybité baterie	Sestupné tři tóny po probuzení klávesnice a blikající červený LED indikátor
Tvrдый reset / Zrušení spárování	Sestupné čtyři pomalé tóny
Spuštění napájení	Dva pomalé akustické signály a následně dva rychlé akustické signály

## Připojení pro Airbnb

### Airbnb připojení

Airbnb připojení automatizuje generování PIN kódů pro vaše hosty Airbnb na základě jejich schválených rezervací. Stojí 4,99 USD měsíčně, ale v současné době je zdarma.

Zde jsou kroky k aktivaci připojení Airbnb:

Krok 1: Připojte se ke svému Airbnb

Pod „Nastavení účtu“ zvolte „Připojit k Airbnb“ a poté stiskněte „OK“.

Krok 2: Připojte se k Airbnb výpisům

V sekci „Rezervace“ klepněte na ikonu „Přidat“ a vyberte domov, ke kterému se chcete připojit.

Vyberte výpis Airbnb a PIN kód, který chcete přidružit.

Poznámka:

- E-maily s PIN kódem budou hostovi zasílány 1 až 48 hodin před časem příjezdu (konfigurovatelné).
- PIN bude platný pouze mezi časem příjezdu a odjezdu.

Krok 3: Změňte čas přihlášení a odhlášení

V části „Konfigurace“ vyberte možnost „Správa vlastností“ a poté seznam, chcete-li zobrazit nebo upravit jeho podrobnosti.

Poznámky:

- Pokud přístupový e-mail nebyl odeslán, změna času přihlášení / odhlášení prostřednictvím aplikace upraví čas začátku a konce PIN kódů, které mají být sdíleny s vaším hostem.
- Pokud byl přístupový e-mail odeslán, změna těchto údajů bude mít vliv pouze na další rezervaci.
- Změna těchto podrobností v aplikaci igloohome neaktualizuje čas přihlášení / odhlášení v seznamu na webu Airbnb.

### Odpojení Airbnb

Pokud chcete raději generovat PIN kódy pro své hosty ručně, můžete svůj výpis Airbnb od seznamu igloohome odpojit pomocí následujících kroků:

1. V části „Rezervace“ odpojte všechny výpisy (pokud nějaké existují)
2. V části „Nastavení účtu“ vyberte možnost „Odpojit od Airbnb“.

Měli byste úplně odpojit svůj účet Airbnb od účtu igloohome a ujistit se, že všechny vaše výpisy Airbnb byly odpojeny ve výše uvedených krocích.



Pak přejděte na:

Hostitelský web Airbnb> Připojené aplikace> Vyberte igloohome k odpojení.

## **Opravy možných problémů**

### **Nemohu zavřít oblouk na uzamknutí Keyboxu.**

- Proveďte odemknutí prostřednictvím PIN kódu nebo Bluetooth a zkuste opět zavřít oblouk.
- Pamatujte na to, že jste možná nechtěně zamkli Keybox manuálně přidržením tlačítka UNLOCK v trvání 2 sekund, kdy byl zámek otevřený.

### **Zavřel/a jsem oblouk zámku, ale zámek se vůbec nezamkl automaticky.**

- Prostřednictvím mobilní aplikace igloohome se ujistěte, zda je zapnuta funkce automatického opětovného zamknutí.
- Pokud je funkce automatického opětovného zamknutí zapnutá a zámek stále nefunguje, zkuste zamknout zámek manuálně tak, že podržíte tlačítko UNLOCK na 2 sekundy.

### **Nemohu otočit zaoblenou hlavu na sejmutí krytu baterie.**

- Pamatujte, že šrouby jsou navrženy tak, aby pevně držely a nelze je sundat.
- Uvolněte šrouby a sejměte kryt baterie.

### **Nelze nasnímat nálepkou s QR kódem, když je opotřebovaná.**

- Použijte náhradní nálepkou s QR kódem, která je dodávána v balení zámku.

### **Pokusil/a jsem za odemknout Keybox, ale klávesnice se vypnula a zapnula se 2 pomalými a 2 rychlými akustickými signály.**

- Keybox má slabou baterii.
- K výměně baterií použijte kabel USB-A a USB-C připojený k powerbance, abyste nastartovali zámek a odemkli KeyBox.
- Způsob výměny baterie naleznete na straně 8.

### **Klávesnice zámku bliká bílou barvou a LED indikátor bliká červenou barvou při aktivaci klávesnice.**

- Na Keyboxu se spustilo bezpečnostní uzamknutí
- Viz. strana 15

### **Pokusil/a jsem se použít USB-C k nastartování zámku, ale neúspěšně.**

- Ujistěte se, že je konektor USB-C bezpečně připojen ke slotu USB-C, zatímco jej odemykáte pomocí kódu PIN nebo Bluetooth.

- Odemkněte prosím do 20 sekund.
- Ujistěte se, že má powerbanka dostatečný výkon.

### **Vygeneroval jsem si svůj PIN kód pomocí aplikace, ale nefunguje.**

- Proveďte Bluetooth odemknutí nebo synchronizaci a zkuste to znovu.
- Ujistěte se, zda byly vygenerované PIN kódy aktivovány v rozsahu doby aktivace před uplynutím jejich platnosti.

### **Zámek vůbec nereaguje.**

- Baterie je vybitá.
- K výměně baterií použijte kabel USB-A a USB-C připojený k powerbance, abyste nastartovali zámek a odemkli klávesnici.
- Odemkněte do 20 sekund
- Pro výměnu baterií se podívejte na návod na straně 8.

### **Jaká je maximální tloušťka položek, které lze uložit do schránky?**

- Jakýkoli předmět, jehož tloušťka přesahuje 25 mm, může být vystaven riziku spuštění obstrukčního alarmu

## Záruční podmínky

Na nový produkt zakoupený v prodejní síti Alza.cz je poskytována záruka 2 roky. Pokud během záruční doby potřebujete opravu nebo jiné služby, obraťte se přímo na prodejce produktu. Budete potřebovat originální doklad o koupi s datem nákupu.

### **Na základě těchto bodů nemusí být reklamce uznána:**

- Používání produktu k jakémukoli jinému účelu, než ke kterému je určen nebo nedodržování pokynů pro údržbu, provoz a servis produktu.
- Poškození produktu přírodní katastrofou, zásahem neoprávněné osoby, nebo mechanicky chybou kupujícího (při přepravě, čištění nesprávnými čistícími prostředky atd.).
- Přirozené opotřebení produktu a stárnutí spotřebního materiálu nebo součástí během používání (baterií atd.).
- Vystavování nepříznivým vnějším vlivům, jako je sluneční světlo a jiné záření, elektromagnetické pole, vniknutí tekutin, vniknutí předmětů, přepětí do sítě, napětí elektrostatického výboje (včetně blesku), vadné napájecí nebo vstupní napětí a nesprávná polarita tohoto napětí, chemické procesy, jako jsou použité napájecí zdroje atd.

Pokud někdo provedl úpravu produktu, úpravu designu, úpravu za účelem změny nebo rozšíření funkcí produktu ve srovnání se zakoupeným designem nebo použitím neoriginálních komponentů

## EU prohlášení o shodě

### Identifikační údaje zplnomocněného zástupce výrobce / dovozce:

Dovozce: Alza.cz a.s.

Registrovaná kancelář: Jankovcova 1522/53, Holešovice, 170 00 Praha 7

IČO: 27082440

### Předmět prohlášení:

Název: Smart Keybox

Model / Typ: IglooHome Smart Keybox 3 IGK3-02

### Výše uvedený produkt byl testován v souladu s normami používanými k prokázání souladu se základními požadavky stanovenými ve směrnici (směrnících):

Směrnice číslo (EU) 2014/53/EU

Směrnice číslo 2011/65/EU ve znění pozdějších předpisů 2015/863/EU

Praha, 23.11.2020



## WEEE

Tento symbol na produktech anebo v průvodních dokumentech znamená, že použité elektrické a elektronické výrobky nesmí být přidány do běžného komunálního odpadu. Ke správné likvidaci, obnově a recyklaci doručte tyto výrobky na určená sběrná místa, kde budou přijata zdarma. Alternativně v některých zemích můžete vrátit své výrobky místnímu prodejci při koupi ekvivalentního nového produktu. Správnou likvidací tohoto produktu pomůžete zachovat cenné přírodní zdroje a napomáháte prevenci potenciálních negativních dopadů na životní prostředí a lidské zdraví, což by mohly být důsledky nesprávné likvidace odpadů. Další podrobnosti si vyžádejte od místního úřadu nebo nejbližšího sběrného místa. Při nesprávné likvidaci tohoto druhu odpadu mohou být v souladu s národními předpisy uděleny pokuty.



Vážení zákazníci,

ďakujeme za nákup nášho produktu. Prosím, prečítajte si pozorne nasledujúce inštrukcie pri prvom použití a tento manuál si ponechajte na budúce použitie. Osobitnú pozornosť venujte bezpečnostným opatreniam. Ak máte nejaké otázky alebo pripomienky ohľadom tohto produktu, neváhajte sa obrátiť na našu zákaznícku linku.

✉ [www.alza.sk/kontakt](http://www.alza.sk/kontakt)

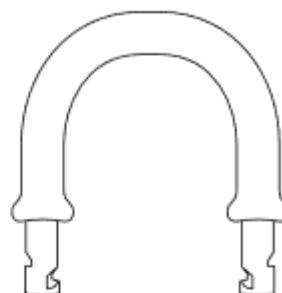
☎ +421 257 101 800

*Dovozca* Alza.cz a.s., Jankovcova 1522/53, Holešovice, 170 00 Praha 7, [www.alza.cz](http://www.alza.cz)

## Obsah balenia



Keybox 3



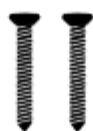
Úzka spona



Montážne tesniace  
krúžky ×2



Skrutkovač



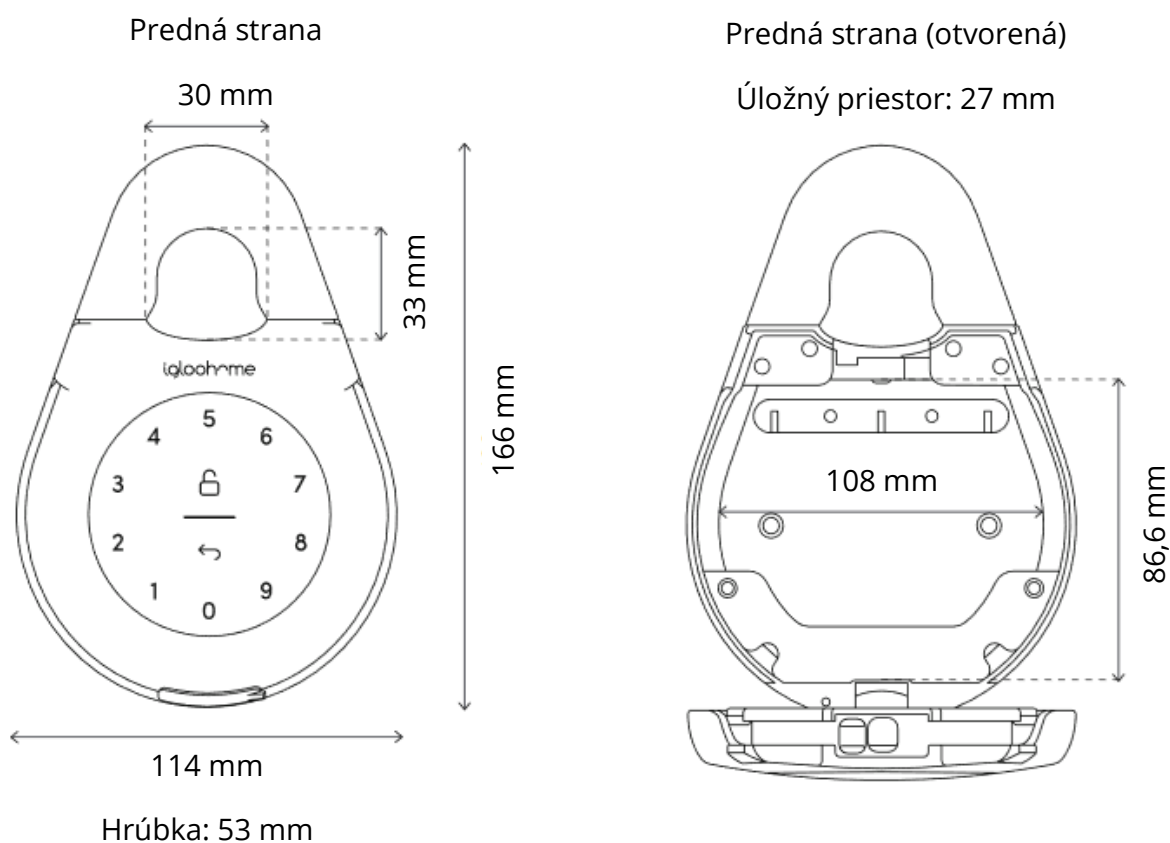
Upevňovacie skrutky  
×2



Rozperky ×2

## Technické údaje

<b>Model</b>	Igloohome Smart Keybox 3
<b>Typ batérií</b>	4× AAA Alkalické batérie
<b>Životnosť batérie</b>	Až 12 mesiacov
<b>Núdzové napájanie</b>	USB-C Jumpstart
<b>Prevádzková teplota</b>	-20 °C až 50 °C
<b>IP hodnotenie</b>	IP66
<b>Materiál tela</b>	Zliatina zinku, zliatina hliníka, akryl
<b>Materiál oblúka</b>	Kalená oceľ, guma
<b>Hmotnosť</b>	Čistá: 1 kg, Hrubá: 1,3 kg
<b>Odomykací mechanizmus</b>	Bluetooth, PIN kód



**\*NEPOUŽÍVAŤ:** Heavy duty, Eveready, GP alebo dobíjacie batérie. Odporúčame alkalické batérie Duracell alebo Energizer. Pamätajte, že používanie lepších batérií zlepší výkon a životnosť zámku.



## **Funkcie**

### **Pin kód/Bluetooth odomykanie**

#### **Hlavní PIN kód**

Schránka igloohome Keybox 3 sa odomkne pomocou stáleho hlavného PIN kódu.

#### **Používateľský PIN kód**

Mobilná aplikácia igloohome môže vytvoriť niekoľko typov používateľských PIN kódov, napr. jednorazový, trvalý alebo založený na dĺžke trvania.

#### **Hlavný Bluetooth kľúč**

Schránka igloohome Keybox 3 sa odomkne pomocou Bluetooth prostredníctvom aplikácie.

#### **Používateľský Bluetooth kľúč**

Mobilná aplikácia igloohome dokáže vygenerovať a zdieľať Bluetooth kľúče (sú založené na báze dĺžky trvania) s hosťami na odomknutie schránky Keybox 3.

## **Batéria**

### **Životnosť batérie**

Keybox 3 môže vydržať až 12 mesiacov so 4 AAA alkalickými batériami.

### **Núdzové naštartovanie**

Ak je batéria vybitá, pripojte kábel USB-A k USB-C a power banke a potom ho zapojte do portu USB-C Jumpstart na Keybox 3, aby ste zaistili núdzové napájanie.

### **Indikátor vybitých batérií**

Ak je úroveň batérií 20 % a menej, stavový indikátor sa rozsvieti červenou farbou a pri dotyku klávesnice zaznie signál. Úroveň nabitia batérie možno tiež monitorovať v aplikácii a je aktualizovaná počas Bluetooth odomknutia.

## **Bezpečnostné funkcie**

### **Bezpečnostné uzamknutie**

Ak bol zadaný určitý počet nesprávnych pokusov o zadanie PIN kódu, zámok zamietne všetky zadania PIN kódu a zaznie alarm. Používateľ môže konfigurovať počet nesprávnych pokusov na spustenie časového limitu.

### **Automatické opätovné zamknutie**

Keybox 3 sa automaticky znovu uzamkne pri zatvorení oblúku. Používateľ môže deaktivovať funkciu automatického opätovného uzamknutia, ak preferuje manuálne opätovné zamknutie.

### **Maskovanie bezpečnostného kódu**

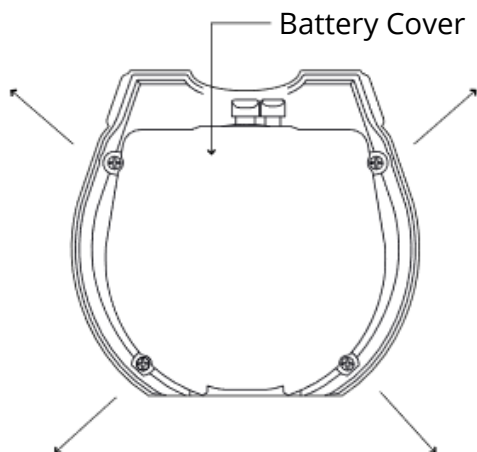
Celkovo 16 číslic, vrátane maskovacích číslic je možné zadať pre zabránenie odhalenie PIN kódu.

## Odolnosť voči počasiu

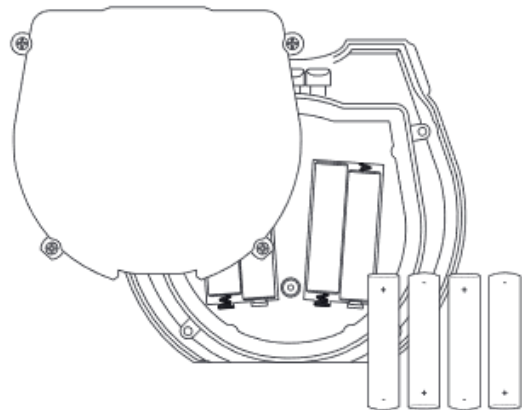
Schránka je schopná odolať poveternostným vplyvom pomocou ochrany proti prachu a vode (IP66).

## Rýchly návod

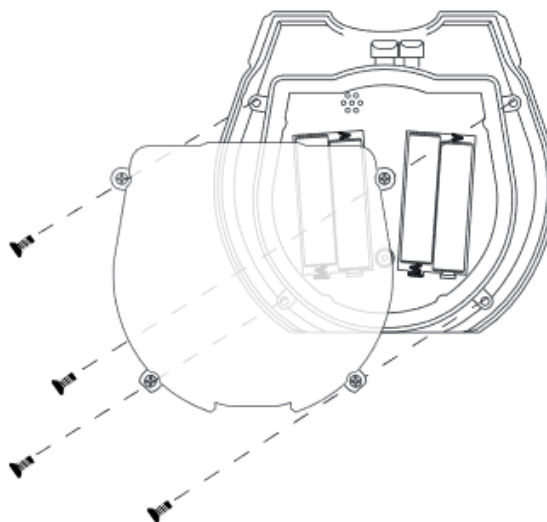
- 1 Uvoľnite 4 skrutky a odstráňte kryt batérie.



- 2 Vložte AAA batérie.



- 3 Kryt batérie pevne zaistíte 4 skrutkami.



Po vložení batérií prosím pevne zaskrutkujte kryt batérií, aby bola zaistená optimálna odolnosť proti vode.

## Použitie aplikácie

### Skúška výrobného PIN kódu na odomknutie

Vo výrobnom režime (pred spárovaním), je PIN kód na odomknutie **1 2 3 4 5 6 7 8 9 0**.

### Registrowanie ako používateľ zámku

Stiahnite si igloohome aplikáciu z App Store/Play Store, potom si vytvorte účet a prihláste sa.

### Spárovanie

Zvoľte možnosť [Add new igloohome lock] (Pridať nový zámok igloohome).

Poznámka: V prípade existujúcich používateľov s inými spárovanými zámkami, prejdite na časť [Configuration] (Konfigurácia), vyberte [Manage Locks] (Správa zámkov) a pokračujte podľa pokynov.

### Nastavenie hlavného PIN kódu

Než začnete, zapnite svoju funkciu Bluetooth a uistite sa, či sa nachádzate v dosahu Bluetooth zámky.

Prejdite k [Access] (Prístup) a upravte si svoj [Master PIN] (Hlavný PIN kód) jeho úpravou

## Spravovanie prístupu v aplikácii

### Vytváranie PIN kódov

PIN kódy je možné vygenerovať v aplikácii v časti [Access] (Prístup), potvrďte [New Key] (Nový kľúč) a vyberte buď jednorazový PIN kód, trvalý PIN kód alebo čas platnosti PIN kódu.

PIN kódy vypršia, pokiaľ ich nepoužijete počas obdobia aktivácie. Viď tabuľka nižšie.

<b>Typ PIN kódu</b>	<b>Použite PIN kód v rozsahu*</b>
Trvalý PIN kód	24 hodín od vytvorenia
Jednorazový PIN kód	24 hodín od vytvorenia
Doba platnosti PIN kódu	24 hodín od spustenia času

Poznámka: Čas ukončenia doby platnosti PIN kódu možno prispôbiť v rámci 28-dňového časového rámca. Po uplynutí tohto časového rámca, sa čas ukončenia automaticky konfiguruje na čas začiatku.

## Bluetooth hostiteľský kľúč

Bluetooth hostiteľský kľúč možno zdieľať s ostatnými používateľmi pre mobilný prístup. Umožňuje vašim hosťom odomknúť igloohome inteligentný zámok prostredníctvom Bluetooth.

Tu sú tri kroky na zdieľanie Bluetooth kľúča:

1. V časti [Access] (Prístup), vytvorte položku [New Key] (Nový kľúč) a zvolte [Bluetooth Key] (Bluetooth kľúč) v časti [Access Type] (Typ prístupu). Pokračujte zdieľanie kľúča po jeho vytvorení.

2. Host' prijme Bluetooth kľúč jedným z týchto spôsobov:

- Kliknutím na zadanú URL adresu a postupovaním podľa pokynov.
- Prihláste Bluetooth kľúč v časti [Configuration] (Konfigurácia).

3. Host' bude môcť teraz používať Bluetooth kľúč v časti hostiteľského Bluetooth kľúča vždy, keď sa bude on/ona nachádzať v dosahu zámku.

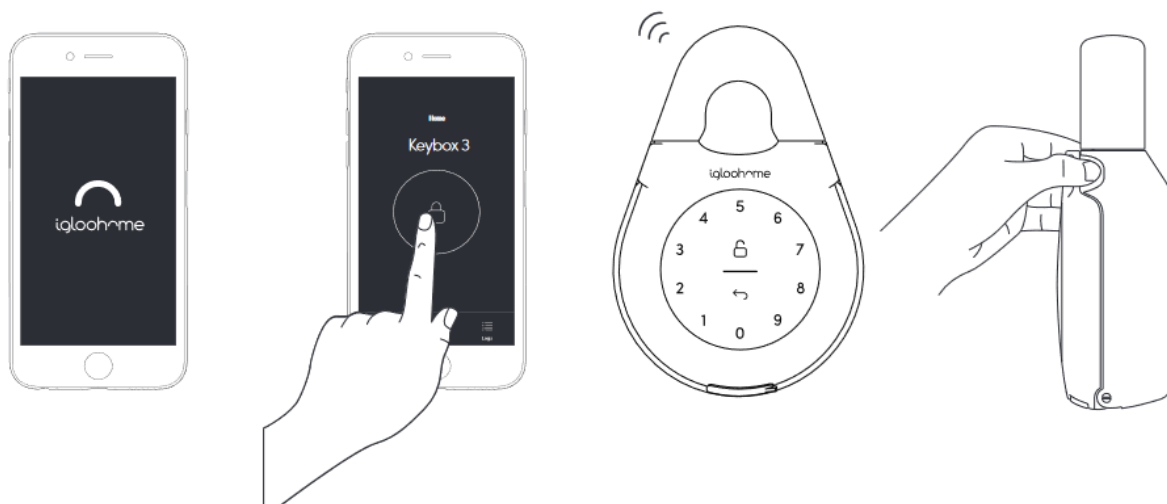
Poznámky:

- Vlastník si bude môcť zrušiť Bluetooth kľúč v aplikácii.
- Bluetooth kľúč bude musieť byť prijatý v priebehu 1 hodiny vytvorenia pred vypršaním jeho platnosti.

## Odomykanie

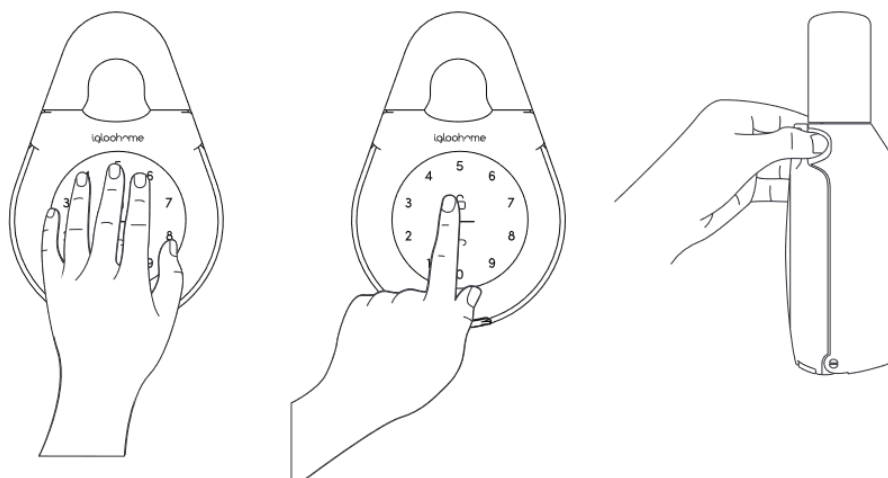
### Bluetooth odomykanie

- Otvorte svoju igloohome aplikáciu.
- Dvakrát kliknite na tlačidlo „Bluetooth Unlock“.
- Po odomknutí stavový indikátor dvakrát blikne zelenou farbou spolu so štyrmi vzostupnými tónmi.



## PIN kód

- Stlačte akékoľvek tlačidlo na klávesnici, čím prebudíte zariadenie.
- Zadajte platný PIN kód (či už s alebo bez maskovacieho PIN kódu) a stlačte „Ikonu odomknutia“.
- Po odomknutí stavový indikátor dvakrát blikne zelenou farbou spolu so štyrmi vzostupnými tónmi.



## Zamykanie

### Automatické opätovné zamknutie

Jednoducho zatvorte oblúk zámku na svoje miesto a stavový indikátor sa rozsvieti zelenou farbou a zaznie dlhý akustický signál.

### Manuálne opätovné zamknutie

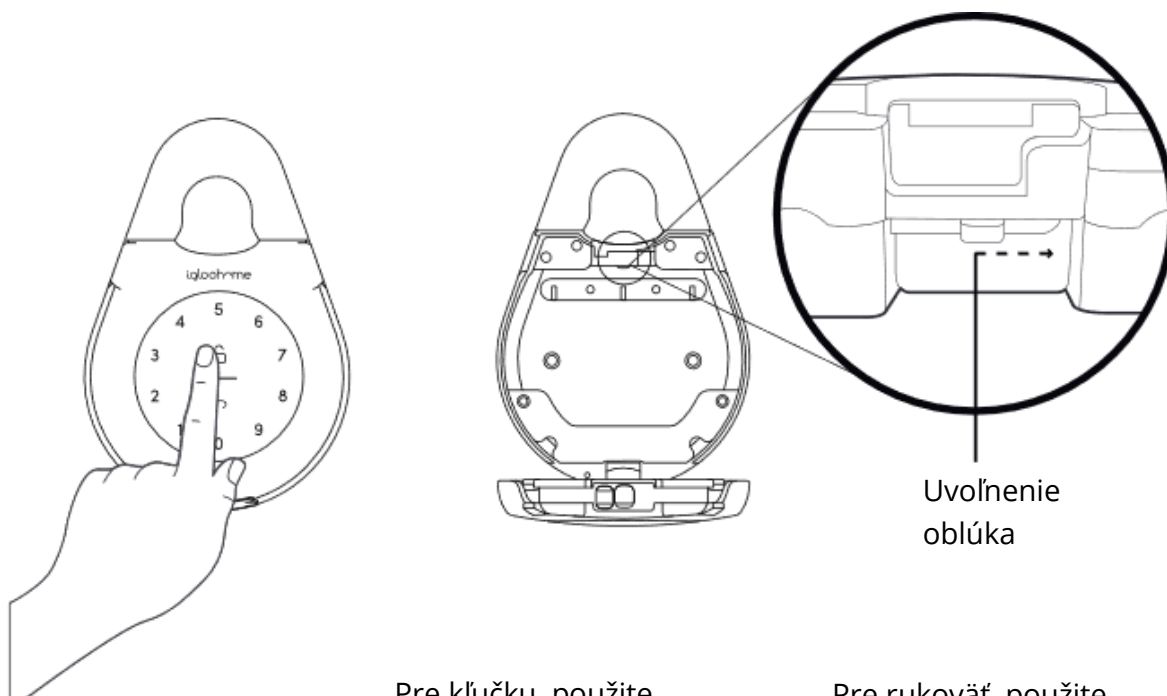
Na dve sekundy stlačte a podržte ikonu odomknutia na pravej spodnej časti klávesnice, kým sa kontrolka stavu nerozsvieti zelenou farbou a nezaznie dlhý akustický signál.

Poznámka: Používa sa vtedy, keď je vypnutá funkcia automatického opätovného zamknutia.

## Inštalácia zámku

### Zaistite Keybox na rukoväť alebo kľučku

- Odomknite Keybox.
- Zatlačte oblúk doprava.
- Vytiahnite oblúk.
- Zaistite Keybox na rukoväť alebo kľučku.
- Vložte oblúk späť.



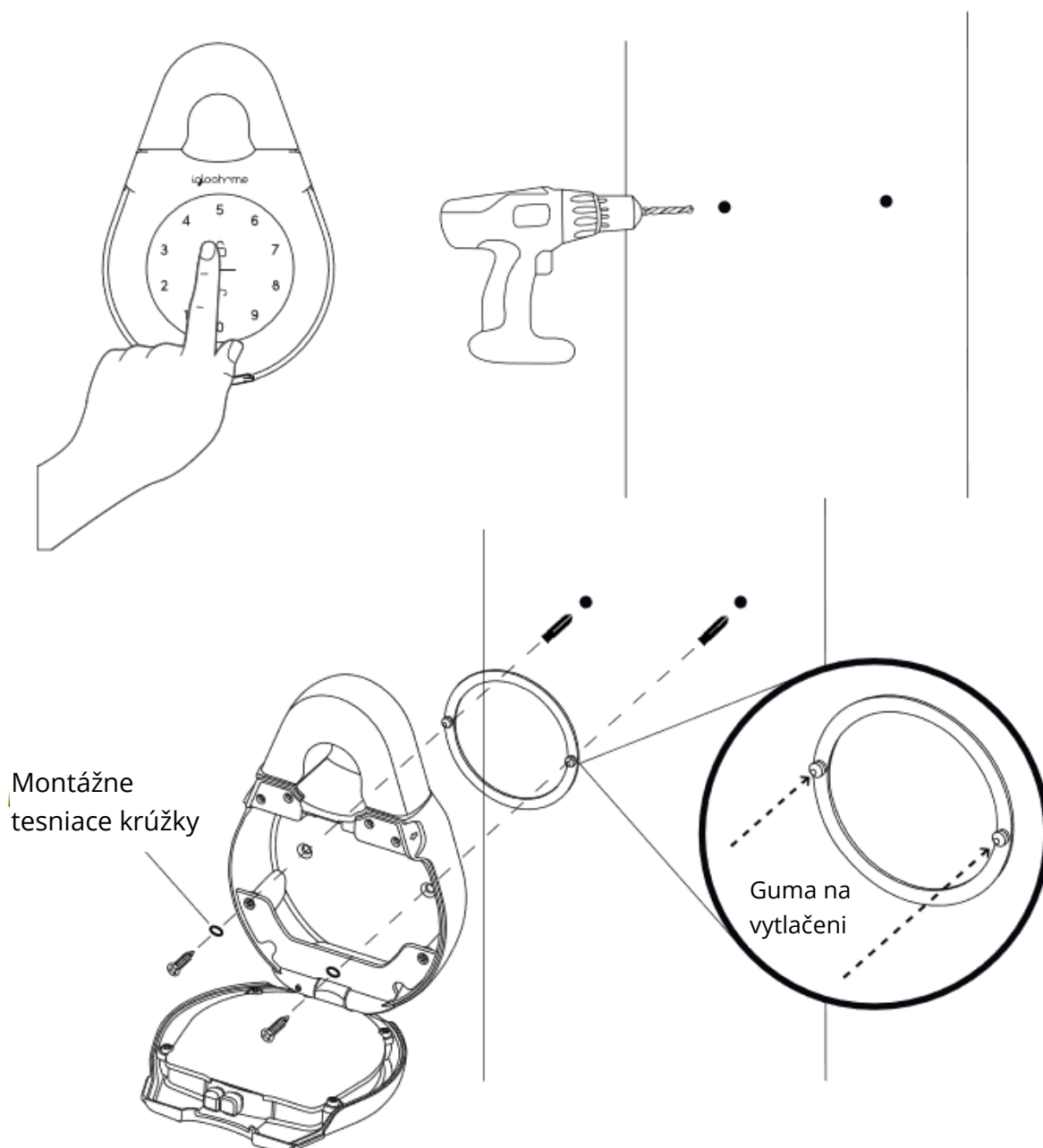
Pre kľučku, použite normálny oblúk

Pre rukoväť, použite úzky oblúk



## Namontovanie na povrch

- Odomknite Keybox.
- Vyvrtajte otvory v stene.
- Do dier zatlčte rozperky.
- Pripevnite Keybox 3 na stenu pomocou montážnych tesniacich krúžkov a skrutiek.





## Spôsoby správania sa zámku

Poznámka: Používateľ je schopný zapnúť a vypnúť bezpečnostné uzamknutie klávesnice prostredníctvom Bluetooth.

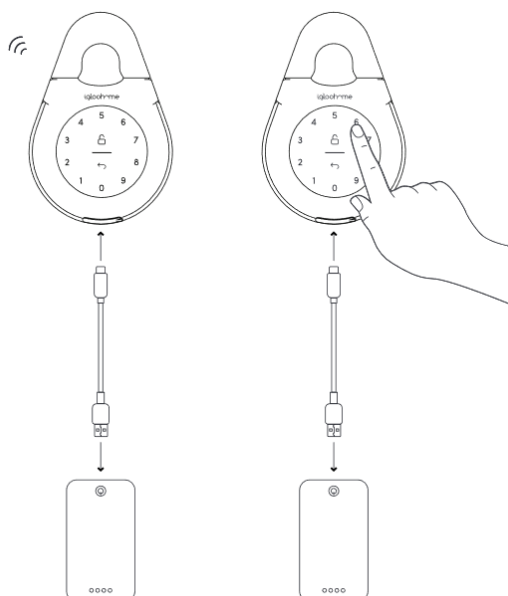
	<b>Bezpečnostné uzamknutie</b>
<b>Aktivované</b>	5 po sebe idúcich neplatných PIN kódov (Konfigurovateľné prostredníctvom Bluetooth)
<b>Deaktivované</b>	Po uplynutí 1/5/10 minút alebo Hlavné/Hostiteľské Bluetooth odomknutie
<b>Správanie</b>	Jedno bliknutie bieleho LED indikátora na klávesnici a červený LED stavový indikátor, keď je klávesnica spustená
<b>Dĺžka trvania</b>	V tabuľke nižšie

<b>Triggered</b>	<b>Security Alarm</b>	<b>Keypad Lockout</b>
1 <sup>st</sup> Time	30 Sec	1 Min
2 <sup>nd</sup> Time	60 Sec	5 Min
3 <sup>rd</sup> and Consecutive Time	90 Sec	10 Min

## USB-C Jumpstart

### USB-C Jumpstart funkcia

- Pripojte kábel USB-A k USB-C k power banke a potom ho zapojte do portu USB-C Jumpstart na zámku.
- Keď je kábel USB-A a USB-C pripojený k power banke, odomknite PIN kódom na klávesnici nasledovaným symbolom zámku.



## Zvukové a LED indikácie

Činnosť	Indikácie
Bluetooth pripojenie	Stavový indikátor bliká modrou farbou
Úspešné odomknutie	Vzostupné 4 rýchle tóny po odomknutí a dvojnásobné bliknutie LED indikátora zelenou farbou
Úspešné zamknutie	Jeden dlhý akustický signál po zamknutí zámku a zelený LED indikátor na dve sekundy
Nesprávny PIN kód	Štyri krátke akustické signály a dvojnásobné bliknutie červenou farbou
Zmazaný PIN kód	Tri série štyroch krátkych akustických signálov a dvojnásobné bliknutie červenou farbou
Obštrukčný alarm	Šesť sérií štyroch krátkych akustických signálov
Alarm bezpečnostného uzamknutia	Nízka - Vysoká siréna v trvaní 30/60/90 sekúnd
Deaktivácia bezpečnostného uzamknutia	Dva dlhé akustické signály
Alarm vybitej batérie	Zostupné tri tóny po prebudení klávesnice a blikajúci červený LED indikátor
Tvrдый reset/Zrušenie spárovania	Zostupné štyri pomalé tóny
Spustenie napájania	Dva pomalé akustické signály a následne dva rýchle akustické signály

## Pripojenie pre Airbnb

### Airbnb pripojenie

Airbnb pripojenie automatizuje generovanie PIN kódov pre vašich hostí Airbnb na základe ich schválených rezervácií. Stojí 4,99 USD mesačne, ale v súčasnej dobe je zadarmo.

Tu sú kroky k aktivácii pripojenia Airbnb:

Krok 1: Pripojte sa k svojmu Airbnb

Pod „Nastavenie účtu“ zvolte „Pripojiť k Airbnb“ a potom stlačte „OK“.

Krok 2: Pripojte sa k Airbnb výpisom

V sekcii „Rezervácia“ kliknite na ikonu „Pridať“ a vyberte domov, ku ktorému sa chcete pripojiť.

Vyberte výpis Airbnb a PIN kód, ktorý chcete pridružiť.

Poznámka:

- E-maily s PIN kódom budú hosťovi zasielané 1 až 48 hodín pred časom príchodu (konfigurovateľné).
- PIN bude platný iba medzi časom príchodu a odchodu.

Krok 3: Zmeňte čas prihlásenia a odhlásenia

V časti „Konfigurácia“ vyberte možnosť „Správa vlastností“ a potom zoznam, ak chcete zobraziť alebo upraviť jeho podrobnosti.

Poznámky:

- Ak prístupový e-mail nebol odoslaný, zmena času prihlásenie/odhlásenie prostredníctvom aplikácie upraví čas začiatku a konca PIN kódov, ktoré majú byť zdieľané s vaším hosťom.
- Ak bol prístupový e-mail odoslaný, zmena týchto údajov bude mať vplyv iba na rezerváciu.
- Zmena týchto podrobností v aplikácii igloohome neaktualizuje čas prihlásenia/odhlásenia v zozname na webe Airbnb.

## Odpojenie Airbnb

Pokiaľ chcete radšej generovať PIN kódy pre svojich hostí ručne, môžete svoj výpis Airbnb od zoznamu igloohome odpojiť pomocou nasledujúcich krokov:

1. V časti „Rezervácia“ odpojte všetky výpisy (ak nejaké existujú)
2. V časti „Nastavenie účtu“ vyberte možnosť „Odpojiť od Airbnb“.

Mali by ste úplne odpojiť svoj účet Airbnb od účtu igloohome a uistiť sa, že všetky vaše výpisy Airbnb boli odpojené vo vyššie uvedených krokoch.

Potom prejdite na:

Hostiteľský web Airbnb > Pripojené aplikácie > Vyberte igloohome k odpojeniu.

## Opravy možných problémov

### Nemôžem zavrieť oblúk na uzamknutie Keyboxu.

- Urobte odomknutie prostredníctvom PIN kódu alebo Bluetooth a skúste opäť zavrieť oblúk.
- Pamätajte na to, že ste možno nechtiac zamkli Keybox manuálne pridržením tlačidla UNLOCK v trvaní 2 sekúnd, kedy bol zámok otvorený.

### Zavrel/a som oblúk zámku, ale zámok sa vôbec nezamkol automaticky.

- Prostredníctvom mobilnej aplikácie igloohome sa uistite, či je zapnutá funkcia automatického opätovného zamknutia.

- Ak je funkcia automatického opätovného zamknutia zapnutá a zámok stále nefunguje, skúste zamknúť zámok manuálne tak, že podržíte tlačidlo UNLOCK na 2 sekundy.

### **Nemôžem otočiť zaoblenou hlavou na sňatie krytu batérie.**

- Pamätajte, že skrutky sú navrhnuté tak, aby pevne držali a nie je možné ich zložiť.
- Uvoľnite skrutky a odstráňte kryt batérie.

### **Nemožno nasnímať nálepku s QR kódom, keď je opotrebovaná.**

- Použite náhradnú nálepku s QR kódom, ktorá je dodávaná v balení zámku.

### **Pokúsil/a som sa odomknúť Keybox, ale klávesnica sa vypla a zapla sa 2 pomalými a 2 rýchlymi akustickými signálmi.**

- Keybox má slabú batériu.
- Na výmenu batérií použite kábel USB-A a USB-C pripojený k power banke, aby ste naštartovali zámok a odomkli KeyBox.
- Spôsob výmeny batérie nájdete na strane 8.

### **Klávesnica zámku bliká bielou farbou a LED indikátor bliká červenou farbou pri aktivácii klávesnice.**

- Na Keyboxe sa spustilo bezpečnostné uzamknutie
- Vid'. strana 15

### **Pokúsil/a som sa použiť USB-C na naštartovanie zámku, ale neúspešne.**

- Uistite sa, že je konektor USB-C bezpečne pripojený ku slotu USB-C, zatiaľ čo ho odomykáte pomocou kódu PIN alebo Bluetooth.
- Odomknite prosím do 20 sekúnd.
- Uistite sa, že má power banka dostatočný výkon.

### **Vygeneroval som si svoj PIN kód pomocou aplikácie, ale nefunguje.**

- Urobte Bluetooth odomknutie alebo synchronizáciu a skúste to znova.
- Uistite sa, či boli vygenerované PIN kódy aktivované v rozsahu doby aktivácie pred uplynutím ich platnosti.

### **Zámok vôbec nereaguje.**

- Batéria je vybitá.
- Na výmenu batérií použite kábel USB-A a USB-C pripojený k power banke, aby ste naštartovali zámok a odomkli klávesnicu.
- Odomknite do 20 sekúnd.

- Na výmenu batérií sa pozrite na návod na strane 8.

### **Aká je maximálna hrúbka položiek, ktoré možno uložiť do schránky?**

- Akýkoľvek predmet, ktorého hrúbka presahuje 25 mm, môže byť vystavený riziku spustenia obštrukčného alarmu.

## Záručné podmienky

Na nový produkt zakúpený v predajnej sieti Alza. cz je poskytovaná záruka 2 roky. Ak počas záručnej doby potrebujete opravu alebo iné služby, obráťte sa priamo na predajcu produktu. Budete potrebovať originálny doklad o kúpe s dátumom nákupu.

### **Na základe týchto bodov nemusí byť reklamácie uznaná:**

- Používanie produktu na akékoľvek iné účely, než na ktoré je určený alebo nedodržanie pokynov pre údržbu, prevádzku a servis produktu.
- Poškodenie produktu prírodnou katastrofou, zásahom neoprávnenej osoby alebo mechanicky chybou kupujúceho (pri preprave, čistení nesprávnymi čistiacimi prostriedkami atď.).
- Prírodné opotrebovanie produktu a starnutie spotrebného materiálu alebo súčastok počas používania (batérií atď.).
- Vystavovanie nepriaznivým vonkajším vplyvom, ako je slnečné svetlo a iné žiarenie, elektromagnetické polia, vniknutie tekutín, vniknutie predmetov, prepätia do siete, napätie elektrostatického výboja (vrátane blesku), chybné napájacie alebo vstupné napätie a nesprávna polarita tohto napätia, chemické procesy, ako sú použité napájacie zdroje atď.
- Ak niekto vykonal úpravu produktu, úpravu dizajnu, úpravu za účelom zmeny alebo rozšírenia funkcií produktu v porovnaní so zakúpeným dizajnom alebo použitím neoriginálnych komponentov

# EÚ prehlásenie o zhode

## Identifikačné údaje splnomocneného zástupcu výrobcu/dovozcu:

Dovozca: Alza.cz a.s.

Registrovaná kancelária: Jankovcova 1522/53, Holešovice, 170 00 Praha 7

IČO: 27082440

## Predmet prehlásenia:

Názov: Smart Keybox

Model/Typ: IglooHome Smart Keybox 3 IGK3-02

**Vyššie uvedený produkt bol testovaný v súlade s normami používanými na preukázanie súladu so základnými požiadavkami stanovenými v smernici (smerniciach):**

Smernica číslo (EÚ) 2014/53/EÚ

Smernica číslo 2011/65/EÚ v znení neskorších predpisov 2015/863/EÚ

Praha, 23.11.2020



## WEEE

Tento symbol na produktoch alebo v sprievodných dokumentoch znamená, že použité elektrické a elektronické výrobky nesmú byť pridané do bežného komunálneho odpadu. Pre správnu likvidáciu, obnovu a recykláciu doručte tieto výrobky na určené zberné miesta, kde budú prijaté zdarma. Alternatívne v niektorých krajinách môžete vrátiť svoje výrobky miestnemu predajcovi pri kúpe ekvivalentného nového produktu. Správnou likvidáciou tohto produktu pomôžete zachovať cenné prírodné zdroje a napomáhate prevencii potenciálnych negatívnych dopadov na životné prostredie a ľudské zdravie, čo by mohli byť dôsledky nesprávnej likvidácie odpadov. Ďalšie podrobnosti si vyžiadajte od miestneho úradu alebo najbližšieho zberného miesta. Pri nesprávnej likvidácii tohto druhu odpadu môžu byť v súlade s národnými predpismi udelené pokuty.





Tisztelt Vásárlónk!

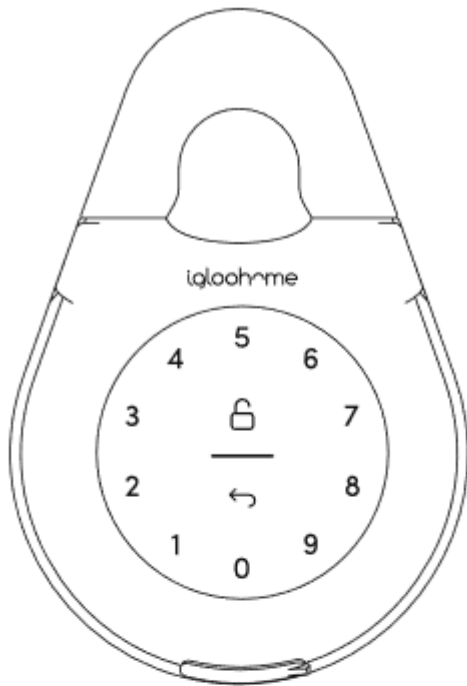
Köszönjük, hogy megvásárolta a termékünket. Az első használat előtt olvassa el figyelmesen az alábbi utasításokat, és őrizze meg a felhasználói kézikönyvet a későbbi felhasználás céljából. Különös figyelmet kell fordítani a biztonsági előírásokra. Ha bármilyen kérdése vagy észrevétele van a készülékkel kapcsolatban, kérjük, vegye fel a kapcsolatot az ügyfélszolgálattal.

✉ [www.alza.hu/kontakt](http://www.alza.hu/kontakt)

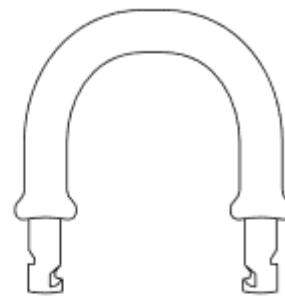
☎ 06-1-701-1111

*Importőr* Alza.cz a.s., Jankovcova 1522/53, Holešovice, 170 00 Praha 7, [www.alza.cz](http://www.alza.cz)

## Mit tartalmaz



Keybox 3



Vékony bilincs



Szerelő tömítőgyűrűk x2



Csavarhúzó



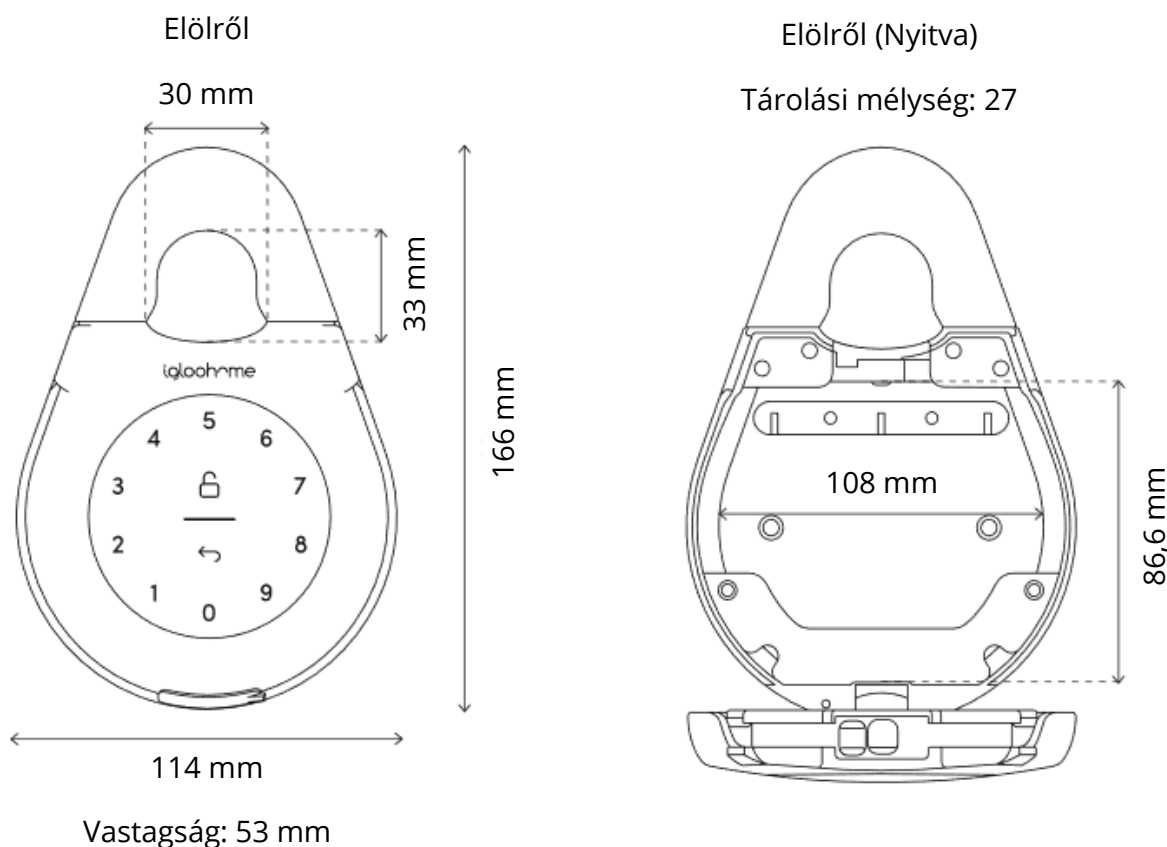
Szerelő csavarok x2



Csavarozó horgonyok x2

## Specifikációk

<b>Modell</b>	Igloohome Intelligens Keybox 3
<b>Elem típusa</b>	4× AAA alkáli elem
<b>Az elem élettartama</b>	Maximum 12 hónap
<b>Vészhelyzeti áramellátás</b>	USB-C gyorsindítás
<b>Működési hőmérs.</b>	-20 °C - 50 °C
<b>IP fokozat</b>	IP66
<b>A test anyaga</b>	Cinkötvözet, alumíniumötvözet, akril
<b>A bilincs anyaga</b>	Edzett acél, gumi
<b>Súly</b>	Nettó: 1 kg, Bruttó: 1,3 kg
<b>Nyitó mechanizmus</b>	Bluetooth, PIN kód



**\* NE HASZNÁLJON:** Nagy teherbírású, Eveready, GP vagy újratölthető elemeket. A Duracell & Energizer alkáli elemeket ajánljuk. Kérjük, vegye figyelembe, hogy a jobb elemek használata javítja a zár teljesítményét és élettartamát.

# Jellemzők

## **PIN/Bluetooth nyitás**

### **Fő PIN-kód**

Az igloohome Keybox 3 az állandó fő PIN-kóddal nyitható.

### **Felhasználói PIN-kód**

Az igloohome mobil alkalmazás több felhasználói PIN kódot generálhat, pl. egyszeri, állandó és adott időtartamú.

### **Bluetooth fő kulcs**

Az igloohome Keybox 3 Bluetooth-szal nyitható az alkalmazás útján.

### **Bluetooth vendég kulcs**

Az igloohome mobil alkalmazás generálhat és megoszthat Bluetooth kulcsokat az időtartam alapján a vendégekkel a Keybox 3 kioldásához.

## **Elem:**

### **Az elem élettartama**

A Keybox 3 legfeljebb 12 hónapig tart ki 4 AAA alkáli elemmel.

### **Sürgősségi gyorsindítás**

Ha az akkumulátor lemerült, csatlakoztasson egy USB-A és USB-C kábelt egy tápegységhez, majd dugja a kulcsdoboz USB-C gyorsindító portjába a sürgősségi tápellátás érdekében.

### **Elem alacsony töltöttségi mutatója**

Az állapotjelző piros lámpát mutat, ha az akkumulátor töltöttségi szintje 20% vagy alacsonyabb, majd hangjelzés követi a billentyűzet felébredését. Az elem töltöttségi szintje az alkalmazáson is nyomon követhető, és a Bluetooth feloldása során frissül.

## **Biztonság**

### **A billentyűzet biztonsági zárolása**

A zár nem engedélyezi semmilyen PIN-kód megadását, és riasztást ad, ha valaki többször is hibás PIN-kóddal próbálkozik. A felhasználó beállíthatja a lehetséges helytelen kísérletek számát az időtűllépés elérése előtt.

### **Automatikus újrazárás**

A Keybox 3 automatikusan újra záródik, ha a termék zárva van. A felhasználó kikapcsolhatja az automatikus újrazárás funkciót, ha a kézi újrazárást preferálja.

### **A biztonsági kód maszkolása**

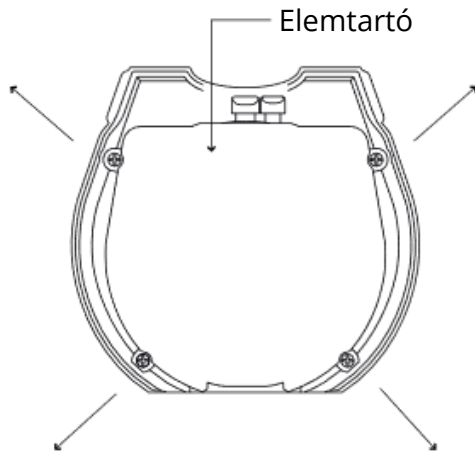
Összesen 16 számjegy tartozik a maszkoló számjegyekhez, hogy megakadályozza a PIN-kód kitétséget.

## Időjárásálló

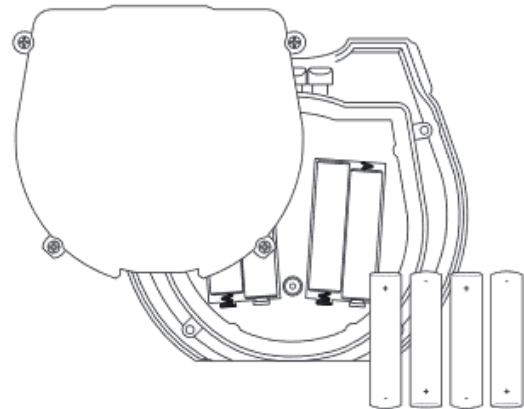
A Keybox 3 tanúsítvánnyal rendelkezik a por és víz elleni védelemről (IP66).

## Gyorstelepítési útmutató

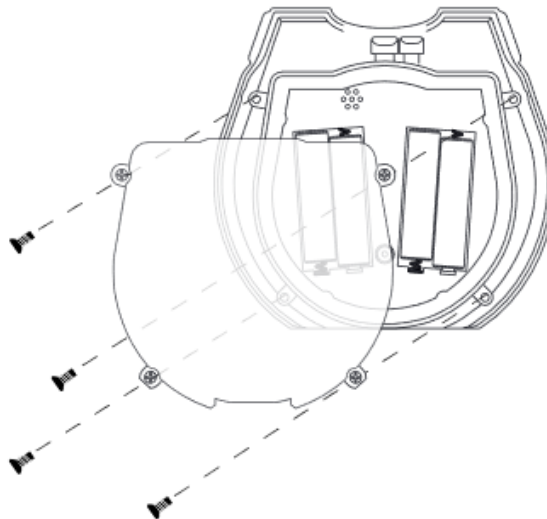
- 1 Lazítsa meg a 4 csavart és vegye le az elemtartó fedelét.



- 2 Helyezze be az AAA elemeket



- 3 4 csavarral szorosan rögzítse az elemtartó fedelét



Az elemek behelyezése után az optimális vízállóság biztosítása érdekében szorosan csavarja be az elemtartó fedelét.

## Az alkalmazás regisztrálása

### Tesztelje a gyári PIN-kód kioldását

Gyári üzemmódban (párosítás előtt) a zár kioldásának PIN-kódja **1 2 3 4 5 6 7 8 9 0**.

### Regisztráljon zár-felhasználóként

Töltse le az igloohome alkalmazást az App Store / Play Store áruházból, majd hozzon létre egy fiókot és jelentkezzen be.

### Párosítás

Érintse "Add new igloohome lock" (=Adjon hozzá új igloohome zárat).

Megjegyzés: Más párosított zárral rendelkező meglévő felhasználók esetén lépjen a „Configuration” (=Konfiguráció) elemre, érintse meg az „Add locks” (=Zárak hozzáadása) elemet, és kövesse az utasításokat.

### A fő PIN-kód beállítása

Mielőtt folytatná, kapcsolja be a Bluetooth-t, és győződjön meg arról, hogy a zár Bluetooth-hatósugarán belül van.

Lépjen az „Access” (=Hozzáférés) részhez, és szerkesztésével testreszabhatja a „Master PIN” (=Fő PIN) kódot.

## Hozzáférés kezelése az alkalmazásban

### PIN-kódok létrehozása

A PIN-kódokat az alkalmazás „Access” (=Hozzáférés) szakaszában lehet előállítani, érintse a „+Access” elemet, és válassza az egyszeri, az állandó vagy az Időtartamra szóló PIN-kódot.

A PIN-kód lejár, ha nem használják az aktiválási időszakon belül. Lásd az alábbi táblázatot.

<b>PIN típusa</b>	<b>Használja a PIN-t ilyen időtartamban*</b>
Állandó PIN	24 órás generálás
Egyszeri PIN	24 órás generálás
Időtartamra szóló PIN	24 óra az indulási időtől számítva

Megjegyzés: Az időtartamra szóló PIN-kód időtartama 28 napos időkereten belül testreszabható. Ezen az időkereten túl a befejezési idő automatikusan a kezdési időre lesz konfigurálva.

## Bluetooth vendég kulcs

A Bluetooth vendég kulcs mobil hozzáférés céljából megosztható más felhasználókkal. Lehetővé teszi vendégei számára, hogy Bluetooth útján oldják ki az igloohome intelligens zárat.

A megosztott Bluetooth kulcs használatának 3 lépése van

1. Az „Access” alatt érintse meg a „+Access” elemet, és válassza az „Access Type” részben a „Bluetooth Key” lehetőséget. Folytassa a kulcs megosztását a létrehozás után.

2. A vendég az alábbi módszerek egyikével kapja meg a Bluetooth kulcsot:

- A megadott URL-re kattintva kövesse az utasításokat
- Bluetooth kulcs igénylése a „Configuration” alatt

3. A vendég most már használhatja a Bluetooth kulcsot a vendég Bluetooth kulcs rész alatt, amikor a zár hatótávolságán belül van.

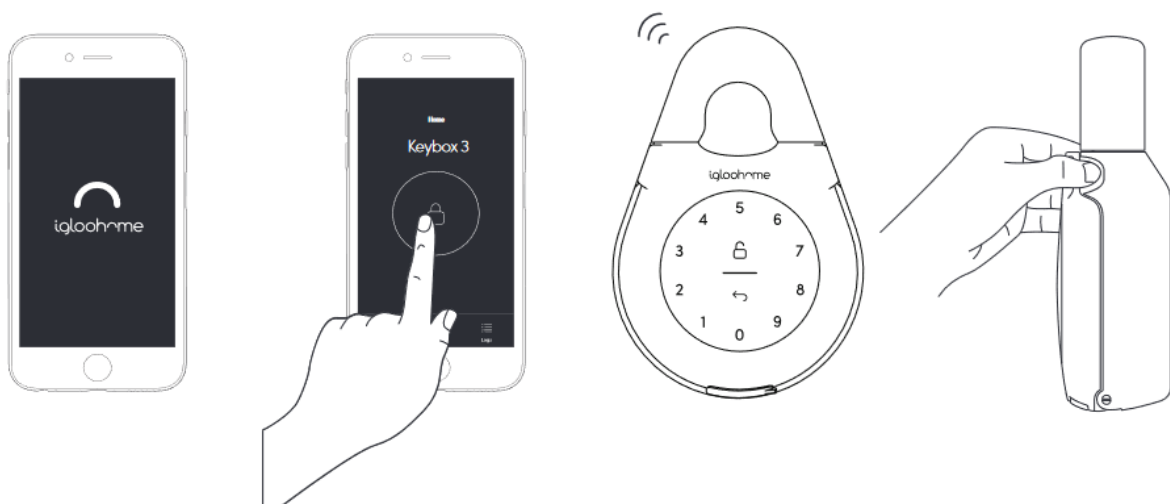
Megjegyzések:

- A tulajdonos az alkalmazásban vonhatja vissza a Bluetooth kulcsot
- A Bluetooth kulcsot el kell fogadni a generálás utáni 1 órán belül, különben lejár.

## Kinyitás

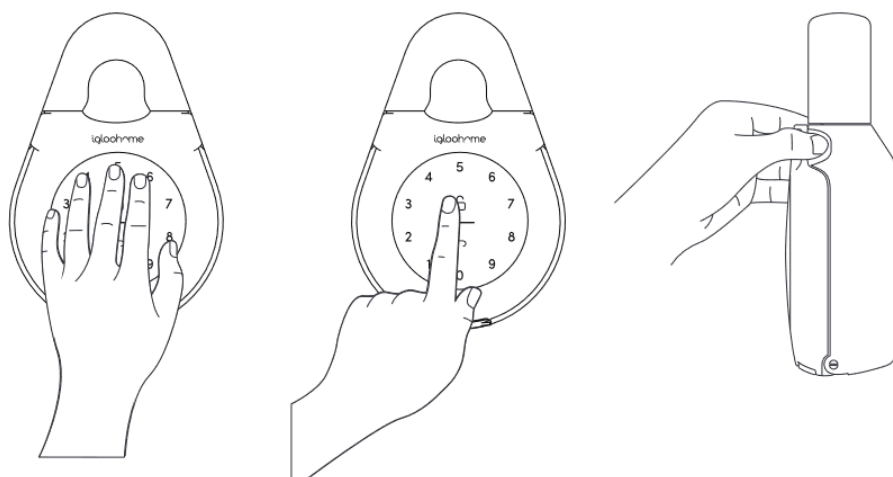
### Bluetooth kinyitás

- Nyissa meg igloohome alkalmazását.
- Érintse a „Bluetooth Unlock” (=Bluetooth kinyitás) gombot.
- Az állapotjelző kétszer zölden villog, kioldása után 4 rövid emelkedő hanggal.



## PIN kód

- Az eszköz felébresztéséhez nyomja meg a billentyűzet bármely gombját.
- Írja be az érvényes PIN-kódot (maszkoló tagokkal vagy anélkül), majd érintse az „Unlock Icon” (=Kioldás ikon) feliratot.
- Az állapotjelző kétszer zölden villog, kioldása után 4 rövid emelkedő hanggal.



## Zárás

### Automatikus újrazárás

Egyszerűen csukja be a bilincset a helyére, és az állapotjelző zöldre vált és hosszú sípolással jelenik meg.

### Kézi újrazárás

Tartsa lenyomva 2 másodpercig a billentyűzet jobb alsó részén található Unlock ikont, amíg az állapotjelző zölden, hosszú sípolással nem mutatkozik.

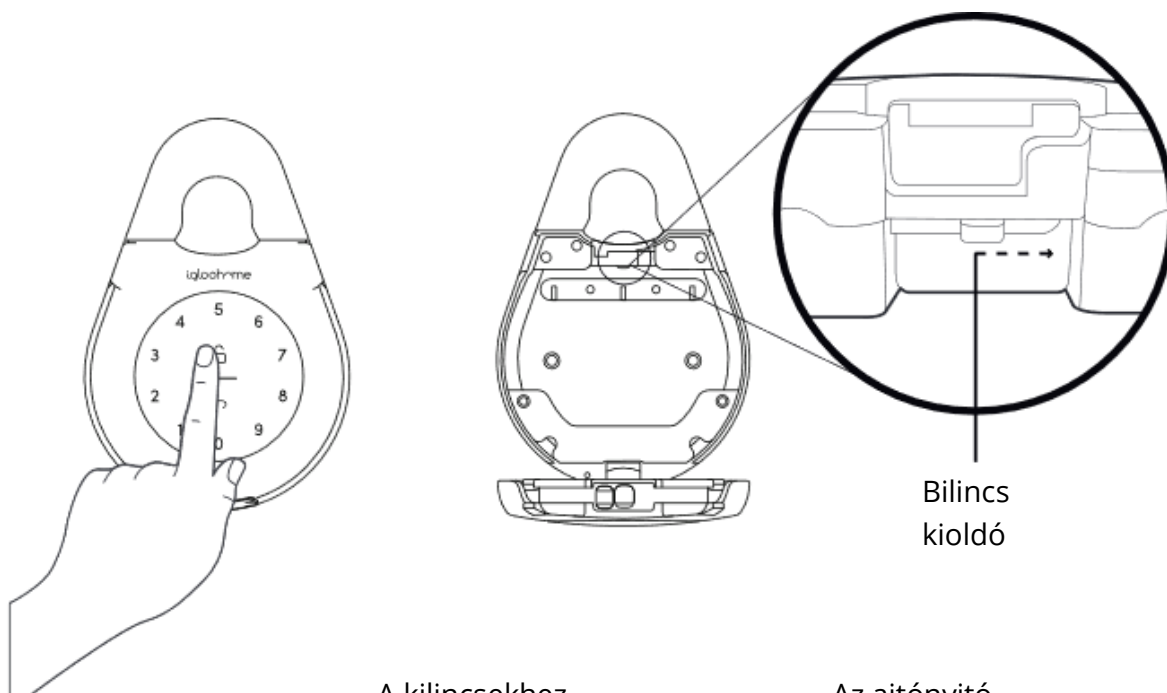
Megjegyzés: Akkor használja, ha az automatikus újrazárás funkció ki van kapcsolva.



## Zár telepítése

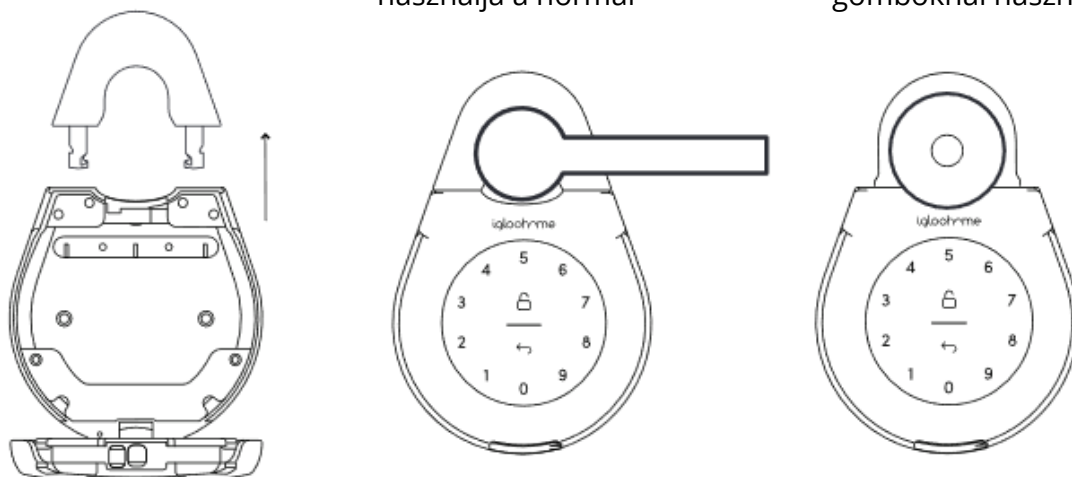
### Rögzítse a kulcsdobozt egy fogantyúra vagy egy gombra

- Nyissa ki a kulcsdobozt.
- Tolja jobb felé a bilincs kioldót.
- Húzza ki a bilincset.
- Rögzítse egy fogantyún vagy egy gombon.
- Helyezze vissza a bilincset.



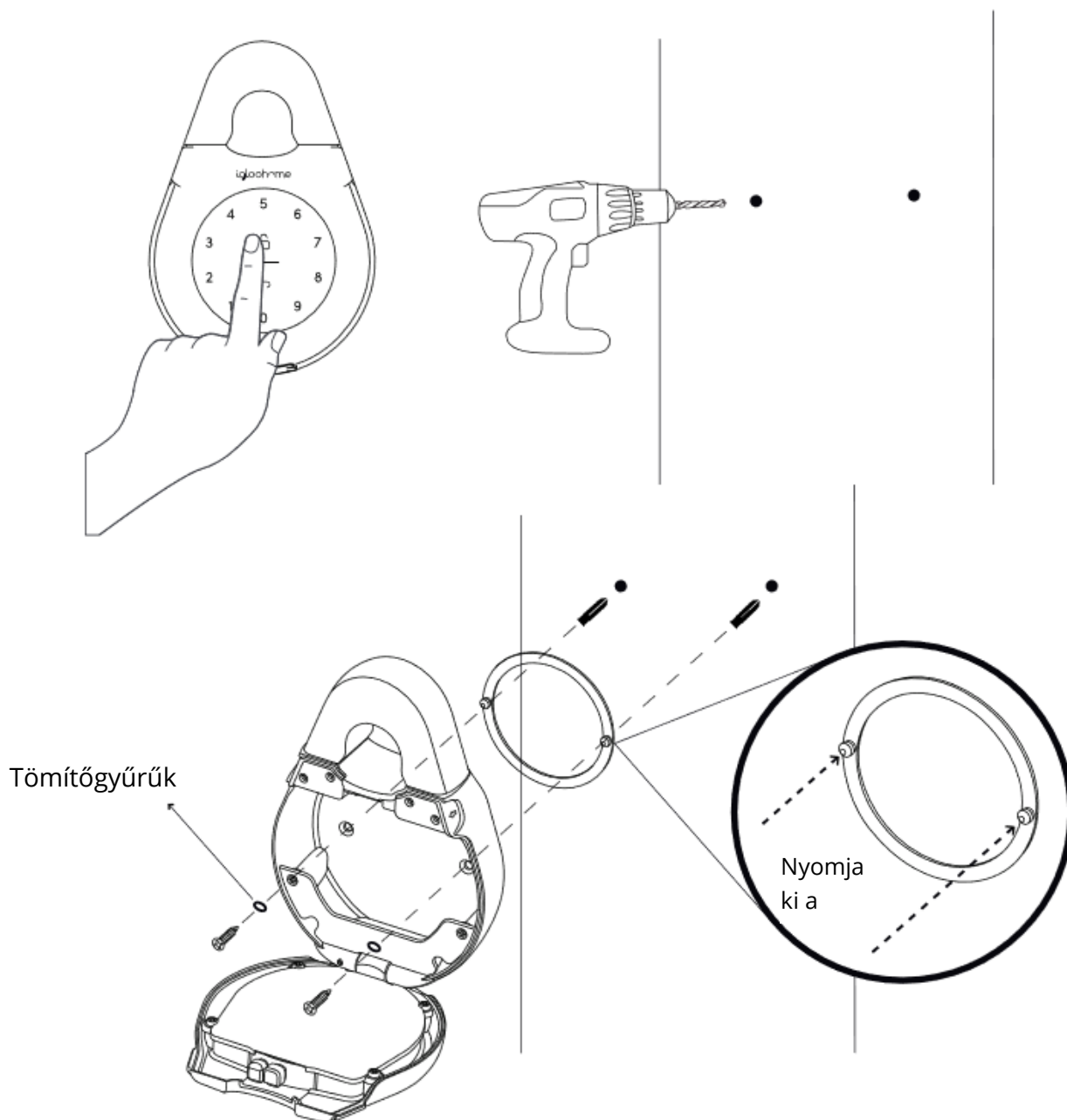
A kilincsekhez  
használja a normál

Az ajtónyitó  
gomboknál használja



## Felszerelés egy felületre

- Nyissa ki a kulcstartót.
- Fúrjon lyukakat egy falba.
- Kalapálja be a csavarhorgonyokat a furatokba.
- Szerelje fel a Keybox 3-at a falra a rögzítő tömítőgyűrűkkel és 2 csavarral



## A zár viselkedése

Megjegyzés: A felhasználó Bluetooth útján engedélyezheti és letilthatja a billentyűzet biztonsági zárolását.

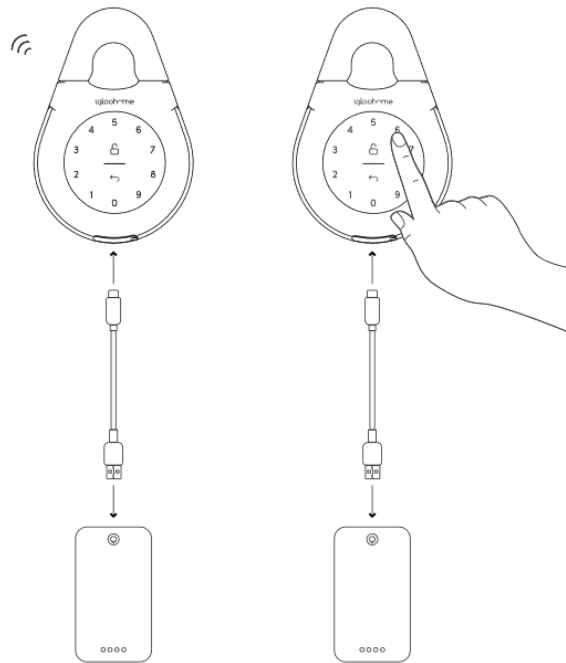
	<b>A billentyűzet biztonsági zárolása</b>
<b>Kiváltva ez által</b>	5 egymást követő PIN-kód kísérlet alapértelmezés szerint (konfigurálás Bluetooth útján)
<b>Letiltása ez által</b>	1 / 5 / 10 perc vagy Fő / Vendég Bluetooth kinyitás
<b>Viselkedés</b>	Egyetlen fehér LED villanás a kezelőn és piros LED villanás az állapotjelzőn, amikor a billentyűzet aktiválódik
<b>Időtartam</b>	Kérjük, olvassa el az alábbi táblázatot

<b>Kiváltva</b>	<b>Biztonsági riasztás</b>	<b>A billentyűzet zárolása</b>
Először	30 mp	1 perc
Másodszor	60 mp	5 perc
Harmadszor és ezt követően	90 mp	10 perc

## USB-C gyorsindítás

### USB-C gyorsindítás jellemzője

- Csatlakoztassa az USB-A és USB-C kábelt egy tápegységhez, majd dugja a kulcsdoboz USB-C gyorsindító portjába.
- Miközben az USB-A - USB-C kábel csatlakozik az energiabankhoz, a feloldáshoz írja be a billentyűzeten a PIN kódot, majd a nyitáshoz a zár szimbólumot.



## Audió és LED jelzések

Akciók	Jelzések
Bluetooth kapcsolat	Az állapotjelző kék színnel villog
Sikeresen kinyitva	4 gyors emelkedő hang a nyitás után, és kétszer zölden villog a LED
Sikeresen bezárva	1 hosszú sípolás a termék lezárása után és zöld LED 2 másodpercig
Helytelen PIN	4 rövid sípolás és 2-szer piros villogás
Törölt PIN	3 sorozat 4 rövid hangjelzés és 2-szer pirosan villog
Akadály miatti riasztás	6 sorozat 4-4 rövid hangjelzéssel
Biztonsági zárolási riasztás	Alacsony - Magas sziréna 30/60/90 másodpercig
Biztonsági zárolás deaktiválva	2 hosszú sípolás
Alacsony elemtöltöttség miatti riasztás	3 csökkenő gyors hang, amikor a billentyűzet felébred és piros LED világít
Kemény visszaállítás / párosítás megszüntetése	4 csökkenő lassú hang
Az áram bekapcsolása	2 lassú sípolás és 2 gyors sípolás

## Airbnb Connect

### Airbnb Connect

Az Airbnb Connect automatizálja a PIN-kódok létrehozását az Airbnb-vendégek számára a jóváhagyott foglalásaik alapján. Ennek ára 4,99 USD havonta, de jelenleg az ingyenes próba-időszakban van.

Az Airbnb Connect aktiválásának lépései a következők:

1. lépés: Csatlakozzon az Airbnb-jéhez az "Account Settings" (=Fiók-beállítások) alatt, válassza a "Kapcsolat az Airbnb-vel" elemet, majd érintse az "OK"-t.

2. lépés: Csatlakozzon az Airbnb jegyzékhez a "Reservations" (=Foglalások) alatt, érintse az "Add" (=Hozzáadás) ikont egy lakás kiválasztásához és kapcsolódjon hozzá.

Válassza ki az Airbnb listát és a társításhoz szükséges PIN-időt.

Megjegyzés:

- A PIN-kódot tartalmazó e-maileket a vendégeknek a bejelentkezési idő előtt 1–48 órával küldjük el (konfigurálható).
- A PIN-kódok csak a be- és kijelentkezés időpontjai között érvényesek.

3. lépés: A be- és kijelentkezés idejének módosítása

A „Configuration” (=Konfiguráció) alatt válassza a „Manage Properties” (=Ingatlanok kezelése) elemet, majd a listát a részletek megtekintéséhez vagy szerkesztéséhez.

Megjegyzések:

- Ha a hozzáférésről szóló e-mailt még nem küldték el, az alkalmazáson keresztül a be- és kijelentkezési idő módosításával módosítja a vendégével megosztandó PIN-kódok kezdési és befejezési idejét.
- Ha a hozzáférési e-mailt elküldték, ezeknek az adatoknak a megváltoztatása csak a következő foglalást érinti.
- Ezen részletek megváltoztatása az iglooohome alkalmazásban nem frissíti az Airbnb webhelyén található be- és kijelentkezési időt.

### Az Airbnb leválasztása

Előnyösebb, ha PIN kódokat manuálisan generálja vendégei számára, az alábbi lépésekkel leválaszthatja Airbnb listáját az iglooohome listáról.

3. A „Reservations” részben válassza le az összes listát (ha van ilyen).

4. Az "Account settings" alatt válassza a "Disconnect with Airbnb" elemet.

Teljesen válassza le az Airbnb-fiókját az iglooohome-fiókjáról, és ellenőrizze, hogy az összes Airbnb-listáját leválasztotta-e a fenti lépésekben. Ezután menjen ide:

Airbnb házigazda webhelye> Kapcsolódó alkalmazások> Válassza az igloohome lehetőséget a leválasztáshoz.

## Hibaelhárítás

### **Képtelen vagyok bezárni a kulcsdobozt**

- Végezze el a kinyitást PIN-kód vagy Bluetooth segítségével, és próbálja meg újra bezárni a kulcsdobozt.
- Ne feledje, hogy véletlenül manuálisan reteszeli a kulcsdobozt, ha 2 másodpercig lenyomva tartja az UNLOCK gombot, amikor a kulcsdoboz nyitva van.

### **Becsuktam a kulcsdobozt, de nem reteszelődtött automatikusan**

- Győződjön meg arról, hogy az Auto Relock BE van kapcsolva az igloohome mobil alkalmazáson keresztül.
- Ha az automatikus reteszelés be van kapcsolva, és a kulcsdoboz még mindig nem működik, próbálja meg manuálisan lezárni a kulcsdobozt az UNLOCK gomb 2 másodpercig tartó lenyomásával.

### **Nem tudom eltávolítani az elemtartó csavarjait.**

- Vegye figyelembe, hogy a csavarokat az elemek megtartására tervezték, ezért nem lehet őket eltávolítani.
- Kérjük, lazítsa meg a csavarokat az elemtartó fedelének eltávolításához.

### **Nem tudom beszkenyelni a QR-matricát, mivel az elhasználódott.**

- Használja a kulcsdobozban található tartalék QR-matricát.

### **Megpróbáltam kioldani a kulcsdobozt, de a billentyűzet kialudt és 2 lassú és 2 gyors sípolással jött vissza**

- A kulcsdobozban az elem töltöttségi szintje alacsony.
- A tápegységhez csatlakoztatott USB-A - USB-C kábellel gyorsindítással indítsa el a zárat, és oldja ki a KeyBox elemet az elemek cseréjéhez.
- Az elemek cseréjével kapcsolatban lásd a 8. oldalt.

### **A kulcsdoboz billentyűzete fehéren villog, a LED jelzője pirosan villog, amikor aktiválom a billentyűzetet**

- A billentyűzet biztonsági zárolása a kulcsdoboz által lett kiváltva.
- Kérjük, nézze meg a 15. oldalt.

## **Megpróbáltam az USB-C-t használni a zár gyorsindításához, de nem sikerült.**

- Győződjön meg arról, hogy az USB-C csatlakozó biztonságosan csatlakozik az USB-C nyíláshoz, miközben PIN-kóddal vagy Bluetooth-kapcsolattal oldja ki a zárat.
- Kérjük, oldja fel a zárolást 20 másodpercen belül.
- Kérjük, ellenőrizze, hogy a Power Bank rendelkezik-e elegendő áramellátással.

## **Az alkalmazásból generáltam a PIN-kódjaimat, de ezek nem működnek**

- Csináljon egy Bluetooth nyitást vagy szinkronizáljon és próbálja újra.
- Győződjön meg arról, hogy a generált PIN-kódok az aktiválási időszakon belül aktiválódtak, annak lejárta előtt.

## **A zár egyáltalán nem válaszol.**

- A kulcsdoboz eleme lemerült
- A tápegységhez csatlakoztatott USB-A - USB-C kábellel gyorsindítással indítsa el a zárat, és oldja ki a KeyBox elemet az elemek cseréjéhez.
- Kérjük, oldja fel a zárolást 20 másodpercen belül.
- Az elemek cseréjével kapcsolatban lásd a 8. oldalt.

## **Mekkora lehet a tárgyak maximális vastagsága, amelyek a kulcsdobozban vannak tárolva?**

- Bármely olyan elem esetében, amelynek vastagsága meghaladja a 25 mm-t, fennáll annak a veszélye, hogy kiváltja az obstrukciós riasztást.

## Jótállási feltételek

Az alza.cz értékesítési hálózatában megvásárolt új termékre 2 év garancia érvényes. Ha javításra vagy egyéb szolgáltatásokra van szüksége a jótállási időszak alatt, vegye fel a kapcsolatot közvetlenül a termék eladójával, és a vásárlás eredeti dátumával együtt át kell adnia a vásárlás igazolását szolgáló dokumentumot.

### **A következők ellentmondanak a jótállási feltételeknek, amelyek tekintetében a reklamált igényt nem lehet elismerni:**

- A termék használata a rendeltetési céltól eltérő célra, vagy a termék karbantartására, üzemeltetésére és javítására vonatkozó utasítások be nem tartása.
- Termékkárosodás természeti katasztrófa, illetéktelen személy beavatkozása vagy mechanikai sérülés következtében a vevő hibája miatt (pl. szállítás közben, nem megfelelő eszközökkel történő tisztítás miatt stb.).
- Fogyóeszközök vagy alkatrészek (például elemek stb.) természetes kopása és öregedése használat közben.
- Káros külső hatásoknak, például napfénynek és más sugárzásnak vagy elektromágneses mezőknek való kitettsége, folyadék behatolása, tárgyak behatolása, hálózati túlfeszültség, elektrosztatikus kisülési feszültség (beleértve a villámlást is), hibás tápellátási vagy bemeneti feszültség és ennek a feszültségnek a nem megfelelő polaritása, kémiai folyamatok, pl. használt tápegységek stb.
- Ha valaki módosítást, átalakítást hajtott végre a dizájnra vagy a beszállításon annak érdekében, hogy megváltoztassa vagy kibővítsen a termék funkcióit a megvásárolt dizájnra vagy a nem eredeti alkatrészekkel összehasonlítva.



# EU megfeleléségi nyilatkozat

## A gyártó / importőr meghatalmazott képviselőjének azonosító adatai:

Importőr: Alza.cz a.s.

Székhely: Jankovcova 1522/53, Holešovice, 170 00 Praha 7

Adószám: 27082440

## A nyilatkozat tárgya:

Megnevezés: Intelligens kulcsdoboz

Modell / Típus: IGK3-02 IglooHome intelligens KeyBox 3

## A fenti terméket a demonstrációhoz használt szabvány(ok) szerint tesztelték az irányelv(ek)ben megállapított alapvető követelményeknek megfelelően:

(EU) 2014/53/EU sz. irányelv

2011/65/EU sz. irányelv a 2015/863/EU sz. irányelvben módosítva

Prága, 2020.11.23.



## WEEE

Az elektromos és elektronikus berendezések hulladékairól szóló EU irányelv (WEEE - 2012/19 / EU) szerint ezt a terméket nem szabad háztartási hulladékként ártalmatlanítani. Ehelyett vissza kell juttatni a vásárlás helyére vagy be kell vinni az újrahasznosítható hulladékok nyilvános gyűjtőhelyére. Annak biztosításával, hogy ezt a terméket megfelelő módon ártalmatlanítja, elősegíti a környezetre és az emberi egészségre gyakorolt lehetséges negatív következmények elkerülését, amelyeket egyébként a termék nem megfelelő hulladékkezelése okozhat. További részletekért forduljon a helyi önkormányzathoz vagy a legközelebbi gyűjtőponthoz. Az ilyen típusú hulladék nem megfelelő ártalmatlanítása a nemzeti előírásokkal összhangban pénzbírságot vonhat maga után.



Sehr geehrter Kunde,

vielen Dank für den Kauf unseres Produkts. Bitte lesen Sie die folgenden Anweisungen vor der ersten Verwendung sorgfältig durch und bewahren Sie diese Bedienungsanleitung zum späteren Nachschlagen auf. Beachten Sie insbesondere die Sicherheitshinweise. Wenn Sie Fragen oder Kommentare zum Gerät haben, wenden Sie sich bitte an den Kundenservice.

✉ [www.alza.de/kontakt](http://www.alza.de/kontakt)

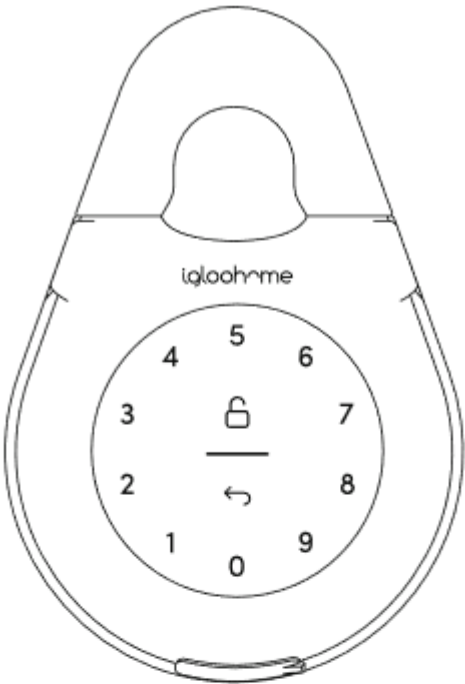
☎ 0800 181 45 44

✉ [www.alza.at/kontakt](http://www.alza.at/kontakt)

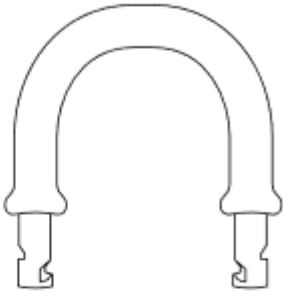
☎ +43 720 815 999

*Lieferant* Alza.cz a.s., Jankovcova 1522/53, Holešovice, 170 00 Prag 7, [www.alza.cz](http://www.alza.cz)

# Packungsinhalt



Keybox 3



Schmaler Bügel



Montageringe x2



Schraubenzieher



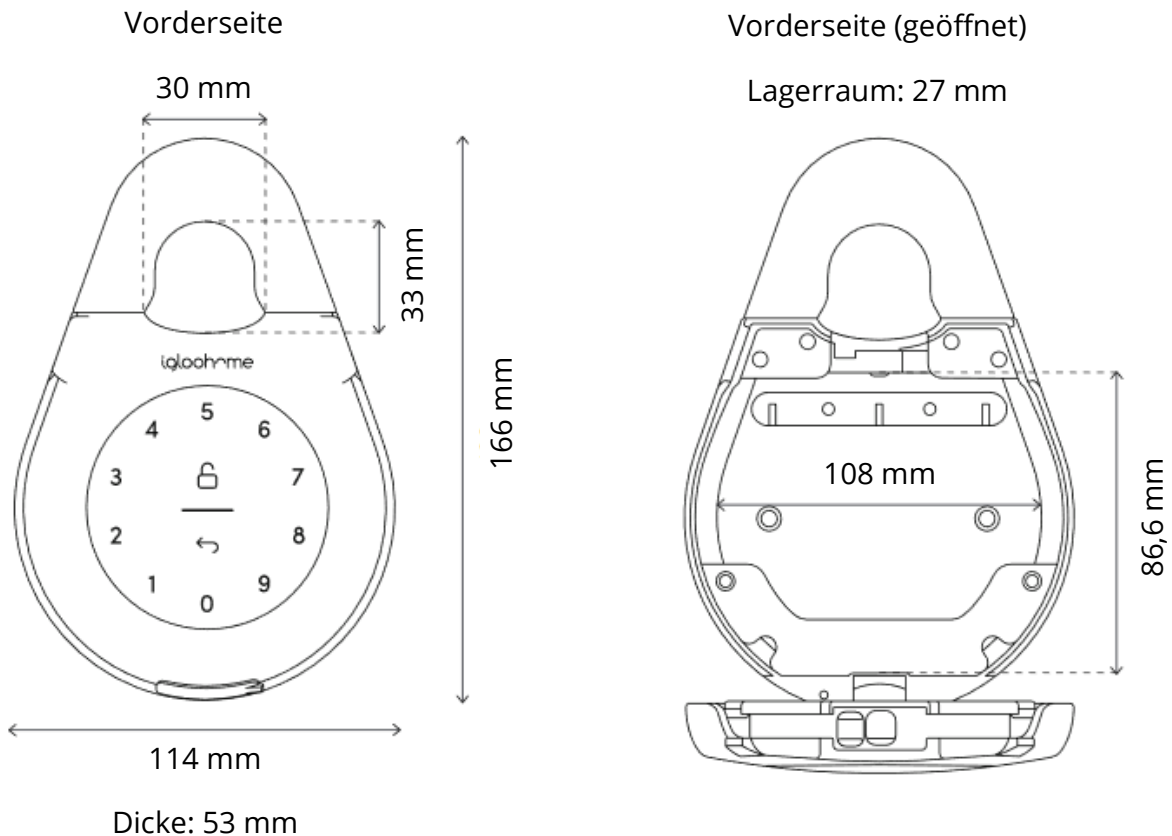
Befestigungsschrauben x2



Dübel x2

## Technische Spezifikationen

<b>Modell</b>	Igloohome Smart Keybox 3
<b>Batterietyp</b>	4 × AAA Alkaline Batterien
<b>Akkulaufzeit</b>	Bis zu 12 Monate
<b>Notstromversorgung</b>	USB-C Jumpstart
<b>Betriebstemperatur</b>	-20 °C bis 50 °C
<b>IP-Bewertung</b>	IP66
<b>Gehäusematerial</b>	Zinklegierung, Aluminiumlegierung, Acryl
<b>Bogenmaterial</b>	Gehärteter Stahl, Gummi
<b>Gewicht</b>	Netto: 1 kg, brutto: 1,3 kg
<b>Entriegelungsmechanismus</b>	Bluetooth, PIN-Code



**\*NICHT VERWENDEN:** Heavy duty, Eveready, GP oder wiederaufladbare Batterien. Wir empfehlen Duracell- oder Energizer-Alkalibatterien. Denken Sie daran, dass die Verwendung besserer Batterien die Leistung und Lebensdauer des Schlosses verbessert.

# Funktionen

## Entriegeln mit PIN-Code / Bluetooth

### Master-PIN-Code

Die igloohome Keybox 3 wird mit einer permanenten Master-PIN entsperrt.

### Benutzer-PIN-Code

Die mobile igloohome-Anwendung kann verschiedene Arten von Benutzer-PIN-Codes erstellen, z. B. einmalig, dauerhaft oder zeitbegrenzt.

### Master-Bluetooth-Schlüssel

Die igloohome Keybox 3 wird mittels der Anwendung über Bluetooth entsperrt.

### Benutzer-Bluetooth-Schlüssel

Die mobile igloohome-Anwendung kann Bluetooth-Schlüssel (basierend auf der Dauer) generieren und für Gäste freigeben, um Keybox 3 zu entsperren.

## Akku

### Akkulaufzeit

Keybox 3 kann mit 4 AAA-Alkalibatterien bis zu 12 Monate halten.

### Notstart

Wenn der Akku leer ist, schließen Sie das USB-A-Kabel an USB-C und die Power Bank an und schließen Sie es dann an den USB-C Jumpstart-Anschluss an Keybox 3 an, um die Notstromversorgung bereitzustellen.

### Anzeige des Akkuladestands

Wenn der Akkuladestand 20% oder weniger beträgt, leuchtet die Statusanzeige rot und beim Berühren der Tastatur ertönt ein Signal. Der Ladezustand des Akkus kann auch in der App überwacht werden und wird während der Bluetooth-Entsperrung aktualisiert.

## Sicherheitsfunktionen

### Sicherheitsschloss

Wenn mehrere falsche PIN-Code-Versuche eingegeben wurden, lehnt die Sperre alle PIN-Code-Eingaben ab und es ertönt ein Alarm. Der Benutzer kann die Anzahl der falschen Timeout-Versuche konfigurieren.

### Auto-Relock-Funktion

Keybox 3 wird automatisch wieder gesperrt, wenn Sie den Bogen schließen. Der Benutzer kann die automatische Sperrfunktion deaktivieren, wenn er die manuelle Sperrung vorziehen möchte.

## Verschlüsselung des Sicherheitscodes

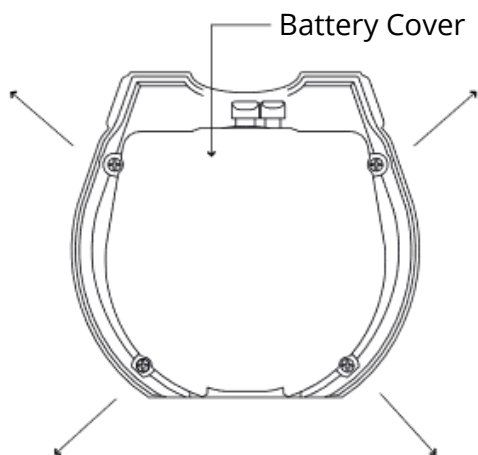
Es können insgesamt 16 Ziffern einschließlich Verschlüsselungsziffern eingegeben werden, um zu verhindern, dass der PIN-Code angezeigt wird.

## Witterungsbeständigkeit

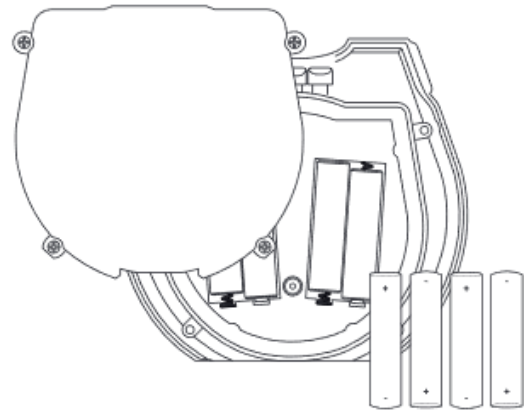
Die Box hält dem Wetter durch Schutz vor Staub und Wasser stand (IP66).

## Kurzanleitung

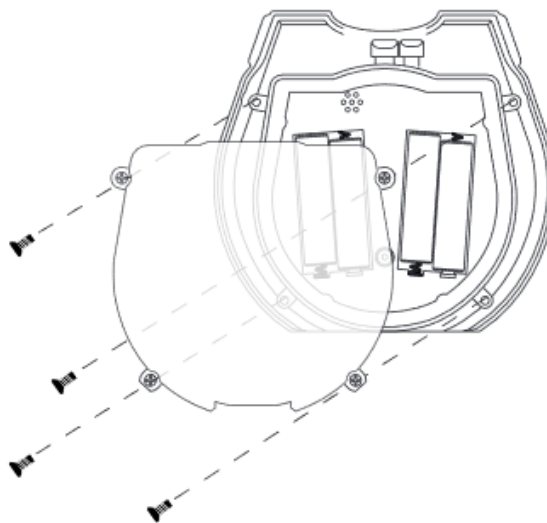
- 1** Lösen Sie die 4 Schrauben und entfernen Sie die Batterieabdeckung.



- 2** Legen Sie AAA-Batterien ein.



- 3** Befestigen Sie die Batterieabdeckung mit 4 Schrauben.



Schrauben Sie nach dem Einlegen der Batterien die Batterieabdeckung fest, um eine optimale Wasserbeständigkeit zu gewährleisten.

## Anweisungen zu der Anwendung

### Test des Produktions-PIN-Codes zum Entsperren

Im Werksmodus (vor dem Pairing) lautet der PIN-Code zum Entsperren **1 2 3 4 5 6 7 8 9 0**.

### Registrierung als Schlossbenutzer

Laden Sie die igloohome-App aus dem App Store / Play Store herunter, erstellen Sie ein Konto und melden Sie sich an.

### Pairing

Wählen Sie [Add new igloohome lock] (Neues igloohome-Schloss hinzufügen).

Hinweis: Gehen Sie im Falle von vorhandenen Benutzern mit anderen gekoppelten Sperren zu [Configuration] [Konfiguration], wählen Sie [Manage Locks] (Sperren verwalten) und befolgen Sie die Anweisungen.

### Einstellen des Master-PIN-Codes

Bevor Sie beginnen, aktivieren Sie Ihre Bluetooth-Funktion und stellen Sie sicher, dass Sie sich in Reichweite einer Bluetooth-Sperre befinden.

Gehen Sie zu [Access] (Zugriff) und bearbeiten Sie Ihre [Master-PIN].

## Zugriffsverwaltung in der Anwendung

### PIN-Codes erstellen

PIN-Codes können in der Anwendung im Abschnitt [Access] (Zugriff) generiert werden - [New Key] (Neuen Schlüssel) bestätigen und entweder einen einmaligen PIN-Code, einen permanenten PIN-Code oder eine PIN-Gültigkeitsdauer auswählen.

PINs verfallen, wenn Sie sie während des Aktivierungszeitraums nicht verwenden. Siehe Tabelle unten.

<b>PIN-Code-Typ</b>	<b>Verwenden Sie den PIN-Code innerhalb von*</b>
Permanenter PIN-Code	24 Stunden nach der Erstellung
Einmaliger PIN-Code	24 Stunden nach der Erstellung
Zeitbegrenzter PIN-Code	24 Stunden ab Startzeit

Hinweis: Die PIN-Ablaufzeit kann innerhalb eines Zeitraums von 28 Tagen angepasst werden. Nach diesem Zeitraum wird die Endzeit automatisch auf die Startzeit konfiguriert.



## Bluetooth-Gastschlüssel

Der Bluetooth-Gastschlüssel kann für den mobilen Zugriff mit anderen Benutzern geteilt werden. Damit können Ihre Gäste die igloohome Smart Keybox über Bluetooth entsperren.

Hier sind drei Schritte, um den Bluetooth-Schlüssel freizugeben:

1. Erstellen Sie im Abschnitt [Access] (Zugriff) eine neue Position [New Key] (Neuer Schlüssel) und wählen Sie im Abschnitt [Access Type] (Zugriffstyp) die Option [Bluetooth Key] (Bluetooth-Schlüssel) aus. Geben Sie den Schlüssel nach dem Erstellen weiter frei.

2. Der Gast erhält den Bluetooth-Schlüssel auf eine der folgenden Arten:

- Klicken Sie auf die angegebene URL und folgen Sie den Anweisungen.
- Melden Sie sich unter [Configuration] (Konfiguration) mit dem Bluetooth-Schlüssel an.

3. Der Gast kann nun den Bluetooth-Schlüssel im Bereich des Bluetooth-Gastschlüssels verwenden, wenn er sich in Reichweite der Sperre befindet.

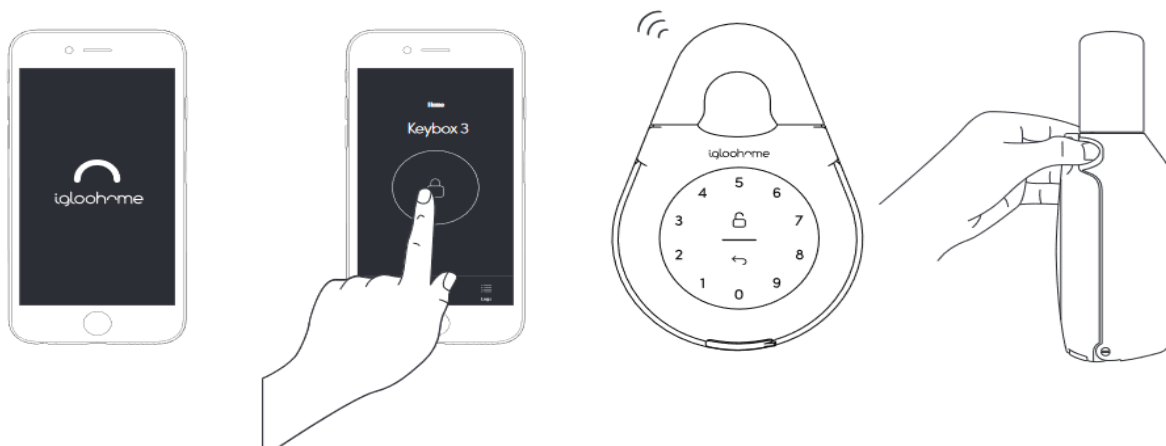
Hinweise:

- Der Eigentümer kann den Bluetooth-Schlüssel in der Anwendung abbrechen.
- Der Bluetooth-Schlüssel muss innerhalb von 1 Stunde nach der Erstellung empfangen werden, bevor er abläuft.

## Entsperren

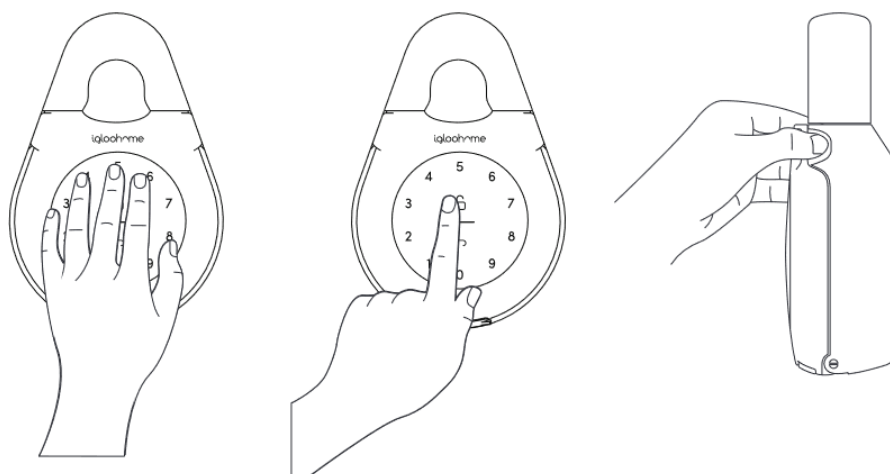
### Bluetooth-Entsperren

- Öffnen Sie Ihre igloohome-Anwendung.
- Klicken Sie auf die Taste „Bluetooth Unlock“
- Nach Entsperren blinkt die Statusanzeige zweimal grün zusammen mit vier aufsteigenden Tönen



## PIN-Code

- Drücken Sie eine beliebige Taste auf der Tastatur, um das Gerät zu aktivieren
- Geben Sie einen gültigen PIN-Code ein (mit oder ohne Verschlüsselungs-PIN-Code) und tippen Sie auf das Symbol „Entsperren“.
- Nach Entsperren blinkt die Statusanzeige zweimal grün zusammen mit vier aufsteigenden Tönen



## Verriegelung

### Automatische Wiederverriegelung (Auto-Relock-Funktion)

Schließen Sie einfach den Verriegelungsbogen - die Statusanzeige leuchtet grün und es ertönt ein langer Piepton.

### Manuelle Wiederverriegelung

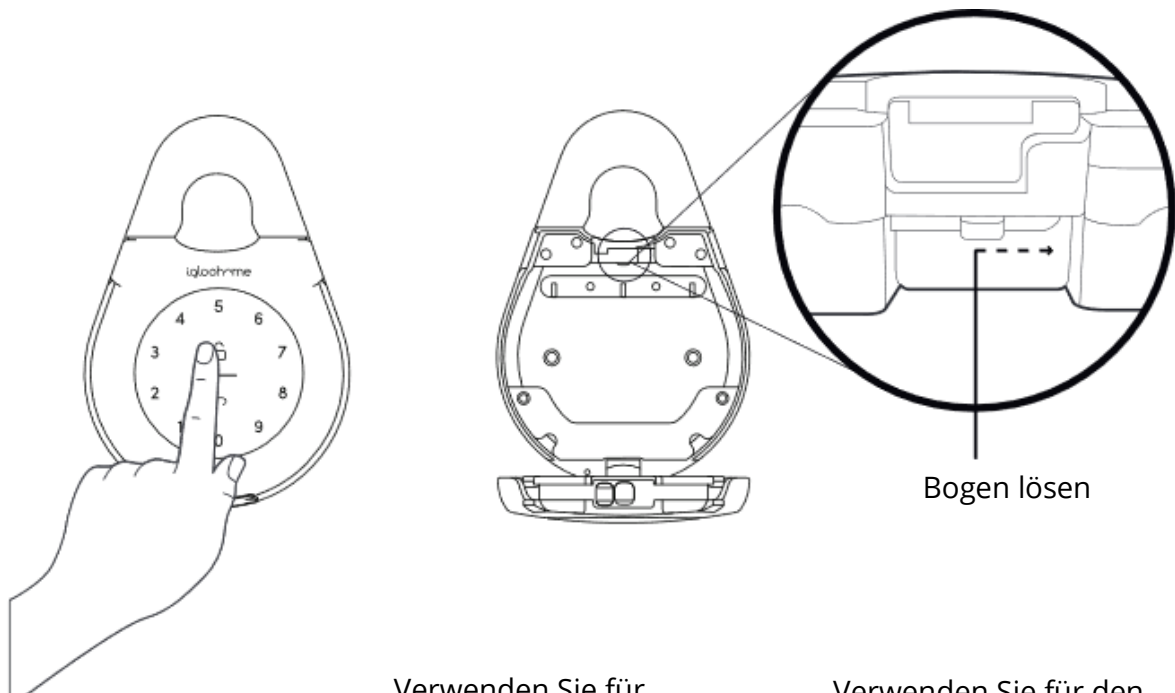
Halten Sie das Entsperresymbol unten rechts auf der Tastatur zwei Sekunden lang gedrückt, bis die Statusanzeige grün leuchtet und Sie einen langen Piepton hören.

Hinweis: wird verwendet, wenn die automatische Wiederverriegelungsfunktion ausgeschaltet ist.

# Keybox-Installation

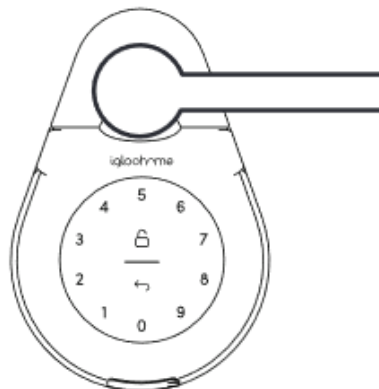
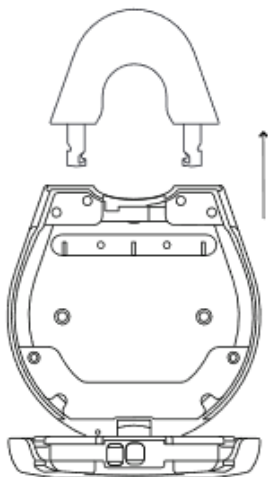
## Befestigen Sie die Keybox am Türknauf oder an der Türklinke

- Entsperren Sie die Keybox.
- Schieben Sie den Bogen nach rechts.
- Ziehen Sie den Bogen heraus.
- Befestigen Sie die Keybox am Türknauf oder an der Türklinke.
- Setzen Sie den Bogen zurück.



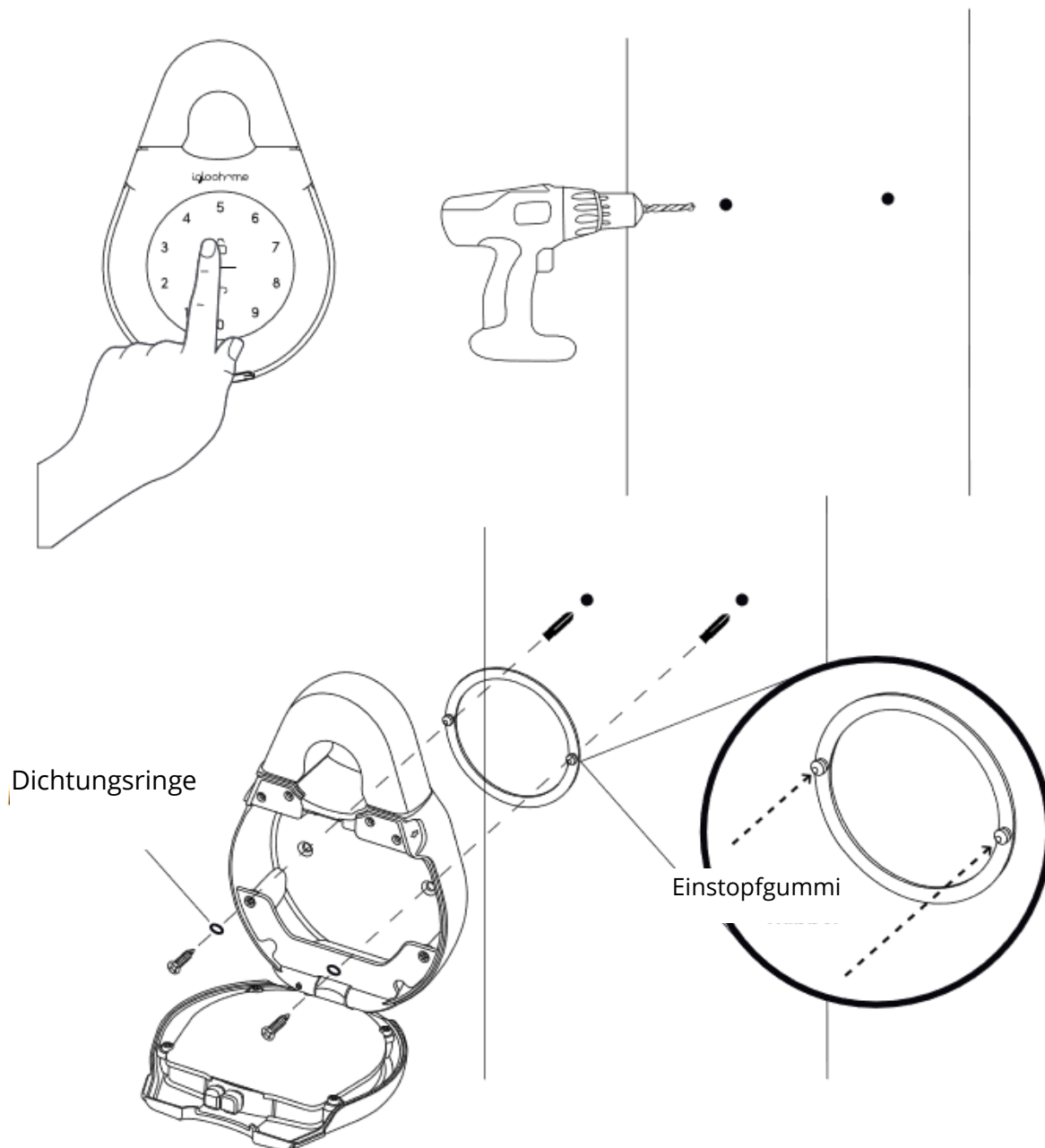
Verwenden Sie für die Türklinke den normalen Bogen

Verwenden Sie für den Türknauf den schmalen Bogen



## Wandmontage

- Entsperren Sie die Keybox.
- Bohren Sie Löcher in die Wand.
- Schlagen Sie Dübel in die Löcher.
- Befestigen Sie die Keybox 3 mit Dichtungsringen und Schrauben an der Wand.



## Verhaltensweisen der Keybox

Hinweis: Der Benutzer kann die Sicherheitstastensperre über Bluetooth ein- und ausschalten.

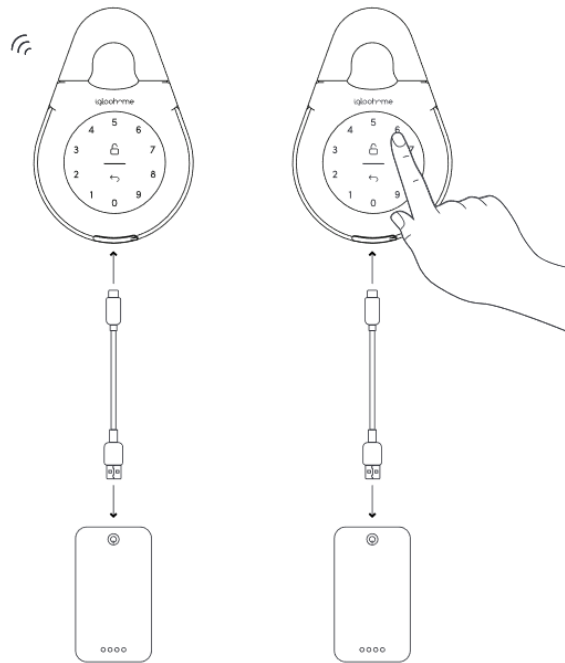
	<b>Sicherheitssperre</b>
<b>Aktiviert</b>	5 aufeinanderfolgende ungültige PIN-Codes (über Bluetooth konfigurierbar)
<b>Deaktiviert</b>	Nach 1/5/10 Minuten oder nach Bluetooth Master-/Gast-Entsperren
<b>Verhalten</b>	1x Blinken der weißen LED auf der Tastatur und Leuchten der roten LED-Statusanzeige beim Einschalten der Tastatur
<b>Dauer</b>	siehe die folgende Tabelle

<b>Ausgelöst</b>	<b>Sicherheitsalarm</b>	<b>Tastatursperre</b>
1 mal	30 Sek.	1 Min.
2 mal	60 Sek.	5 Min.
3 mal oder mehrmals	90 Sek.	10 Min.

## USB-C Jumpstart

### USB-C Jumpstart-Funktion

- Schließen Sie das USB-A-zu-USB-C-Kabel an die Power Bank an und verbinden Sie es dann mit dem USB-C-Jumpstart-Anschluss an der Keybox.
- Wenn das USB-A- und USB-C-Kabel an die Power Bank angeschlossen sind, entsperren Sie die Keybox mit dem PIN-Code auf der Tastatur, gefolgt vom Entsperrsymbol.



## Ton- und LED-Anzeigen

Aktivität	Anzeige
Bluetooth-Verbindung	Die Statusanzeige blinkt blau
Erfolgreiche Entsperrung	4 schnelle aufsteigende Töne nach dem Entsperren und doppeltes Blinken der LED-Anzeige in grün
Erfolgreiche Verriegelung	Ein langes akustisches Signal nach dem Verriegeln des Schlosses und eine grüne LED-Anzeige für zwei Sekunden
Falscher PIN-Code	Vier kurze Pieptöne und ein doppeltes Blinken in rot
PIN-Code gelöscht	Drei Serien von vier kurzen akustischen Signalen und ein doppeltes Blinken in rot
Hindernisalarm	Sechs Serien von vier kurzen akustischen Signalen
Alarm für Sicherheitssperre	Niedrige - hohe Sirene für 30/60/90 Sekunden
Sicherheitssperre deaktiviert	Zwei lange akustische Signale
Alarm bei schwacher Batterie	Drei absteigende Töne nach dem Aktivieren der Tastatur und eine blinkende rote LED-Anzeige
Hard Reset / Pairing deaktivieren	Vier langsame absteigende Töne
Start der Stromversorgung	Zwei langsame akustische Signale und dann zwei schnelle akustische Signale

## Airbnb-Verbindung

## **Airbnb-Verbindung herstellen**

Die Airbnb-Verbindung automatisiert die Generierung von PIN-Codes für Ihre Airbnb-Gäste basierend auf deren genehmigten Reservierungen. Sie kostet 4,99 USD pro Monat, ist aber derzeit kostenlos.

Hier sind die Schritte zum Aktivieren Ihrer Airbnb-Verbindung:

Schritt 1: Stellen Sie eine Verbindung zu Ihrem Airbnb her

Wählen Sie unter „Kontoeinstellungen“ die Option „Mit Airbnb verbinden“ und drücken Sie dann „OK“.

Schritt 2: Treten Sie Airbnb-Angeboten bei

Klicken Sie im Abschnitt „Reservierungen“ auf das Symbol „Hinzufügen“ und wählen Sie das Haus aus, dem Sie beitreten möchten.

Wählen Sie die Airbnb-Liste und den PIN-Code aus, die Sie zuordnen möchten.

Anmerkung:

- E-Mails mit einem PIN-Code werden 1 bis 48 Stunden vor der Ankunftszeit an den Gast gesendet (konfigurierbar).
- Die PIN ist nur zwischen Ankunft und Abreise gültig.

Schritt 3: Ändern Sie die Anmelde- und Abmeldezeit

Wählen Sie im Abschnitt „Konfiguration“ die Option „Verwaltung von Eigenschaften“ und anschließend eine Liste aus, um deren Details anzuzeigen oder zu bearbeiten.

Anmerkungen:

- Wenn keine Bestätigungs-E-Mail gesendet wurde, wird durch Ändern der Anmelde- / Abmeldezeit über die App die Start- und Endzeit der PINs angepasst, die für Ihren Gast freigegeben werden sollen.
- Wenn eine Bestätigungs-E-Mail gesendet wurde, wirkt sich das Ändern dieser Informationen nur auf die nächste Reservierung aus.
- Durch Ändern dieser Details in igloohome wird die Check-in/Check-out-Zeit in der Liste auf der Airbnb-Website nicht aktualisiert.

## **Verbindung zu Airbnb trennen**

Wenn Sie PINs für Ihre Gäste lieber manuell generieren möchten, können Sie Ihre Airbnb-Liste wie folgt von der igloohome-Liste trennen:

5. Trennen Sie im Abschnitt „Reservierungen“ alle Anweisungen (falls vorhanden).
6. Wählen Sie im Abschnitt „Kontoeinstellungen“ die Option „Verbindung zu Airbnb trennen“.

Sie sollten Ihr Airbnb-Konto vollständig von Ihrem igloohome-Konto trennen und sicherstellen, dass alle Ihre Airbnb-Listen in den obigen Schritten getrennt wurden.



Danach gehen Sie zu:

Airbnb-Gastseite> Verbundene Anwendungen> Wählen Sie igloohome aus, um die Verbindung zu trennen.

## **Fehlerbehebung**

### **Ich kann nicht den Verriegelungsbogen nicht schließen.**

- Entsperren Sie die Keybox über PIN oder Bluetooth und versuchen Sie erneut, den Verriegelungsbogen zu schließen.
- Beachten Sie, dass Sie die Keybox möglicherweise versehentlich manuell gesperrt haben, indem Sie die Taste UNLOCK 2 Sekunden lang gedrückt hielten, während die Sperre offen war.

### **Ich habe den Bogen geschlossen, aber es kam nicht zu der automatischen Verriegelung.**

- Stellen Sie sicher, dass die Auto-Relock-Funktion über die igloohome Mobile App aktiviert ist.
- Wenn die automatische Wiederverriegelung aktiviert ist und die Sperre immer noch nicht funktioniert, versuchen Sie, die Sperre manuell zu aktivieren, indem Sie die Taste UNLOCK 2 Sekunden lang gedrückt halten.

### **Der abgerundete Kopf für die Entfernung der Batterieabdeckung lässt sich nicht drehen.**

- Denken Sie daran, dass die Schrauben fest sitzen und nicht entfernt werden sollten.
- Lösen Sie die Schrauben und entfernen Sie die Batterieabdeckung.

### **Der QR-Code-Aufkleber kann wegen Verschleiß nicht gescannt werden.**

- Verwenden Sie den Ersatz-QR-Code-Aufkleber, der im Paket bei der Keybox enthalten ist.

### **Ich habe versucht, die Keybox zu entsperren, aber die Tastatur wurde mit 2 langsamen und 2 schnellen Signaltönen ein- und ausgeschaltet.**

- Die Keybox hat eine schwache Batterie.
- Verwenden Sie zum Ersetzen der Batterien ein an die Power Bank angeschlossenes USB-A- und USB-C-Kabel, um die Keybox zu starten und zu entsperren.

- Auf Seite 8 erfahren Sie, wie Sie die Batterie austauschen.

### **Die Keybox-Tastatur blinkt weiß und die LED-Anzeige blinkt rot, wenn die Tastatur aktiviert ist.**

- Für die Keybox wurde eine Sicherheitsverriegelung ausgelöst
- Siehe Seite 15

### **Ich habe versucht, die Keybox über USB-C zu starten, es ist jedoch fehlgeschlagen.**

- Stellen Sie sicher, dass der USB-C-Anschluss fest mit dem USB-C-Steckplatz verbunden ist, während Sie ihn mit einer PIN oder einem Bluetooth-Code entsperren.
- Bitte innerhalb von 20 Sekunden entsperren.
- Stellen Sie sicher, dass die Power Bank über ausreichend Strom verfügt.

### **Ich habe meinen PIN-Code mit der App generiert, aber er funktioniert nicht.**

- Führen Sie ein Bluetooth-Entsperren oder Synchronisieren aus und versuchen Sie es erneut.
- Stellen Sie sicher, dass die generierten PINs innerhalb der Bearbeitungszeit aktiviert wurden, bevor sie abgelaufen sind.

### **Die Keybox reagiert überhaupt nicht.**

- Die Batterie ist leer.
- Zum Ersatz der Batterie verwenden Sie das an die Power Bank angeschlossene USB-A- und USB-C-Kabel, um die Keybox zu starten und die Tastatur zu entriegeln.
- Innerhalb von 20 Sekunden entsperren
- Informationen zum Batterieaustausch finden Sie in den Anweisungen auf Seite 8.

### **Was ist die maximale Dicke von Produkten, die in der Keybox aufbewahrt werden können?**

- Jeder Gegenstand, der dicker als 25 mm ist, kann dem Risiko ausgesetzt sein, einen Hindernisalarm auszulösen

## Garantiebedingungen

Für ein neues Produkt, das über das Alza.cz-Vertriebsnetz gekauft wurde, wird eine 2-jährige Garantie gewährt. Wenn Sie während der Garantiezeit Reparaturen oder andere Dienstleistungen benötigen, wenden Sie sich direkt an den Produkthändler. Sie müssen den Originalbeleg mit dem Kaufdatum vorlegen.

### **Folgendes gilt als Konflikt mit den Garantiebedingungen, für die die Reklamation möglicherweise nicht akzeptiert wird:**

- Verwendung des Produkts für einen anderen als den beabsichtigten Zweck oder Nichtbeachtung der Anweisungen für Wartung, Betrieb und Service des Produkts.
- Beschädigung des Produkts durch eine Naturkatastrophe, Eingreifen einer unbefugten Person oder durch mechanisches Verschulden des Käufers (z. B. während des Transports, Reinigung mit ungeeigneten Mitteln usw.)
- Natürlicher Verschleiß und Alterung von Verbrauchsmaterialien oder Komponenten während des Gebrauchs (wie Batterien usw.)
- Exposition gegenüber nachteiligen äußeren Einflüssen wie z. B. Sonnenlicht, anderer Strahlung oder elektromagnetischen Feldern, Eindringen von Flüssigkeiten, Eindringen von Gegenständen, Überspannung im Netz, elektrostatische Entladungsspannung (einschließlich Blitzschlag), fehlerhafte Versorgungs- oder Eingangsspannung und ungeeignete Polarität dieser Spannung, chemische Prozesse sowie gebrauchte Netzteile usw.
- Wenn durch irgendjemanden Modifikationen, Designänderungen oder Anpassungen vorgenommen wurden, um die Eigenschaften des Produkts während des Kaufs zu ändern oder zu erweitern, oder Verwendung von nicht originalen Komponenten.

# EU-Konformitätserklärung

## Identifikationsdaten des Bevollmächtigten des Herstellers / Importeurs:

Importeur: Alza.cz a.s.

Registrierter Sitz: Jankovcova 1522/53, Holešovice, 170 00 Prag 7

ID-Nr.: 27082440

## Gegenstand der Erklärung:

Name: Smart Keybox

Modell / Typ: IglooHome Smart Keybox 3 IGK3-02

**Das oben genannte Produkt wurde gemäß den Standards getestet, die zum Nachweis der Einhaltung der in den einschlägigen Richtlinien festgelegten grundlegenden Anforderungen verwendet wurden:**

Richtlinie Nr. (EU) 2014/53/EU

Richtlinie Nr. 2011/65/EU in der geänderten Fassung 2015/863/EU

Prag, 23.11.2020



## WEEE

Dieses Produkt darf nicht als normaler Hausmüll gemäß der EU-Richtlinie über Elektro- und Elektronikaltgeräte (WEEE - 2012/19 / EU) entsorgt werden. Stattdessen wird es an den Ort des Kaufs zurückgegeben oder an eine öffentliche Sammelstelle für den recycelbaren Abfall übergeben. Indem Sie sicherstellen, dass dieses Produkt ordnungsgemäß entsorgt wird, tragen Sie dazu bei, mögliche negative Folgen für die Umwelt und die menschliche Gesundheit zu vermeiden, die andernfalls durch unangemessenen Umgang mit diesem Produkt verursacht werden könnten. Weitere Informationen erhalten Sie von Ihrer örtlichen Behörde oder der nächstgelegenen Sammelstelle. Eine unsachgemäße Entsorgung dieser Art von Abfällen kann zu Strafen gemäß den nationalen Vorschriften führen.

