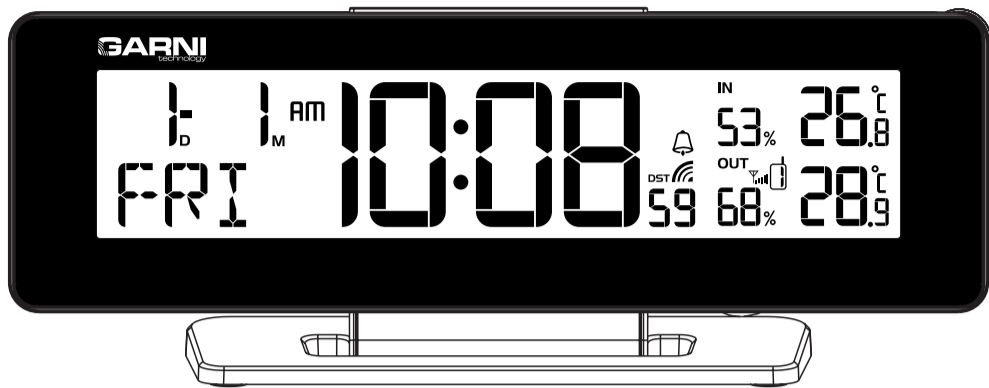
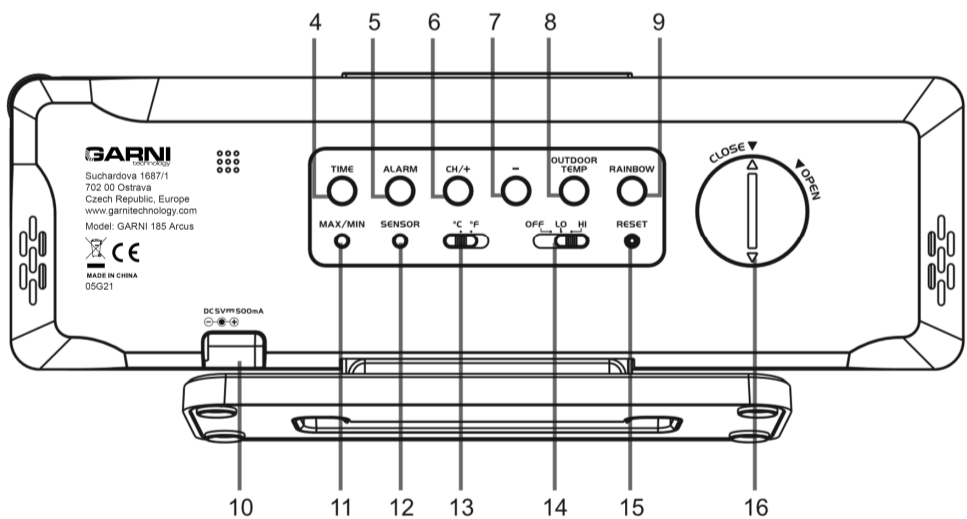
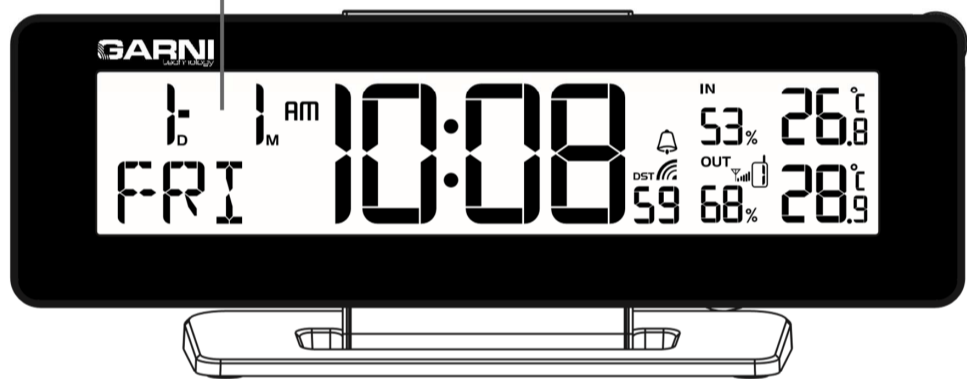
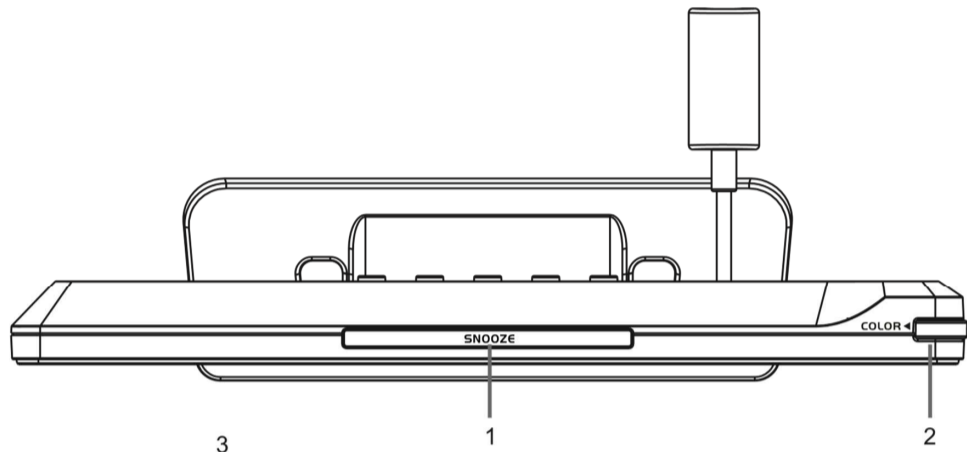


RADIO CONTROLLED CLOCK WITH COLOURFUL BACKLIGHT AND MULTI-CHANNEL WIRELESS THERMO-HYGROMETER SENSOR Model: GARNI 185 Arcus USER MANUAL



Thank you for your purchase of this delicate RADIO CONTROLLED CLOCK WITH COLOURFUL BACKLIGHT AND MULTI-CHANNEL WIRELESS THERMO-HYGROMETER SENSOR. The utmost care has gone into the design and manufacture of the clock. Please read the instructions carefully according to DCF version you purchased and keep the manual well for future reference.

OVERVIEW OF THE CLOCK

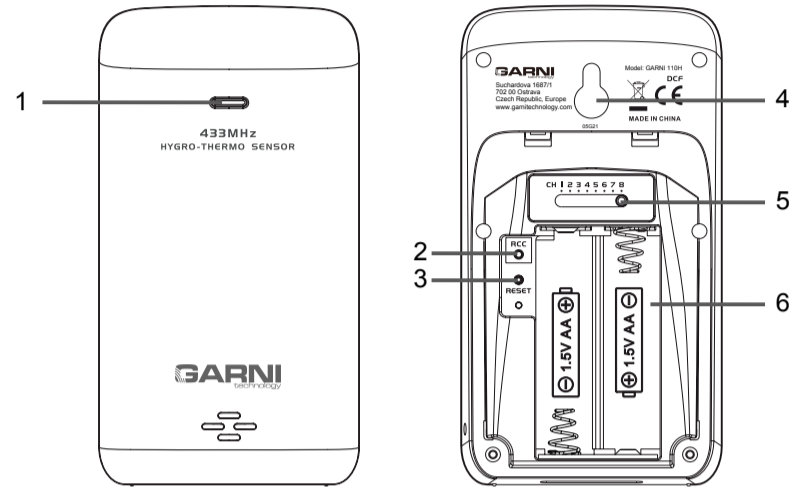


1. **[SNOOZE]** key
 - When the alarm is sounding, press to stop the current alarm and enter snooze mode.
 - When the alarm is sounding, press and hold 2 seconds to stop the current alarm when sounding for 24 hours.
2. **[COLOR]** Backlight colour control knob
 - Rotate the knob clockwise or anticlockwise to tune the backlight with 256 colour.
 - Press **[COLOR]** knob to turn on or turn off the backlight colour change
3. **LCD** display
4. **[TIME]** key
 - In normal time mode, press and hold 2 seconds to enter time setting mode.
 - In time setting mode, press to step next setting mode.
5. **[ALARM]** key
 - For alarm setting and operation.
6. **[CH / +]** key
 - In setting mode, press to increase the setting values (Hold it without releasing to speed up the setting).
 - In normal time mode, press **[CH / +]** to switch channel 1 to 8.
7. **[-]** key
 - In setting mode, press to decrease the setting values (Hold it without releasing to speed up the setting).
8. **[OUTDOOR TEMP]** key
 - Press to enter Colour by temperature mode and change colour according to the temperature value that received from the wireless sensors. It has 17 backlight colors to display different temperature ranges.
9. **[RAINBOW]** key
 - When the backlight is on, press to change backlight colour in this sequence: white → red →

orange → yellow → green → cyan → blue → purple.

10. **Power** jack
 - DC 5V 1A.
11. **[MAX/MIN]** key
 - Press it check the minimum and maximum temperature and humidity records.
12. **[SENSOR]** key
 - Press it receive the data from the transmitter.
13. **[°C/°F]** slide switch
 - Slide to switch between Celsius and Fahrenheit.
14. **[OFF / LO / HI]** slide switch
 - Slide to **[OFF]** position to turn off the backlight
 - Slide to **[LO]** position for the dimmer backlight.
 - Slide to **[HI]** position for the brighter backlight.
15. **[RESET]** key
 - Press to reset all values to default values.
 - In case of malfunction, press it to reset all values.
16. **Battery** door
 - Accommodates a button cell CR2032 for backup time and setting.

WIRELESS HYGRO-THERMO SENSOR WITH RCC RECEIVE FUNCTION



1. **LED** indicator
 - Flashes when the remote unit is transmitting.
2. **[RCC]** key
 - Press to search RC signal.
3. **[RESET]** key
 - Press to restart the sensor.
4. **Wall** mounting holder
5. **[CHANNEL]** slide switch
 - Assign the transmitter to Channel from 1 to 8.
6. **Battery** compartment
 - Accommodates 2 x AA size batteries.

BEFORE USING THE TRANSMITTER

1. Remove the battery door.
2. Insert 2 x AA size batteries into the battery compartment. Make sure you insert them the right way according to the polarity information marked on the battery compartment.
3. Replace the battery door.

NOTE:

1. RCC function of the main unit is base on wireless signal from this wireless sensor, please keep this sensor always link up with the main unit.
2. Once the channel is assigned to one transmitter, you can only change it by removing the batteries or resetting the unit.
3. Avoid placing the transmitter in direct sunlight, rain or snow.

MAIN UNIT

1. Plug the adaptor plug into the power jack.
2. Press **[RESET]** key to re-start the clock and it will synchronize the channels of transmitter automatically.

NOTE:

1. To avoid the wireless sensor and main unit pairing failure, please power up the sensor/s first, an then press **[RESET]** key on the main unit (no need on sensors).
2. The building material and the position of the receiver and transmitter affect the effective rang So try various locations to obtain the best result.
3. Place the units away from metal objects and electrical appliances to minimize the interference. Position the receiver and transmitter within the effective transmission range: 30m in usual circumstances.

DAYLIGHT SAVING TIME (DST)



The clock has been programmed to automatically switch when the daylight saving time is in effect. User can disable the DST function in time and calendar setting mode.

RECEPTION OF RADIO CONTROLLED SIGNAL

The time and date are radio-controlled. The current time and date are automatically synchronized with the time signal transmitted from RC station. User can disable the RCC function in time and calendar setting mode to stop receive the signal from wireless sensor.

RCC SIGNAL STRENGTH INDICATOR

The signal indicator show signal receive status. Wave segment flashing means RCC signals are being received. The signal receive status could be classified into 2 types

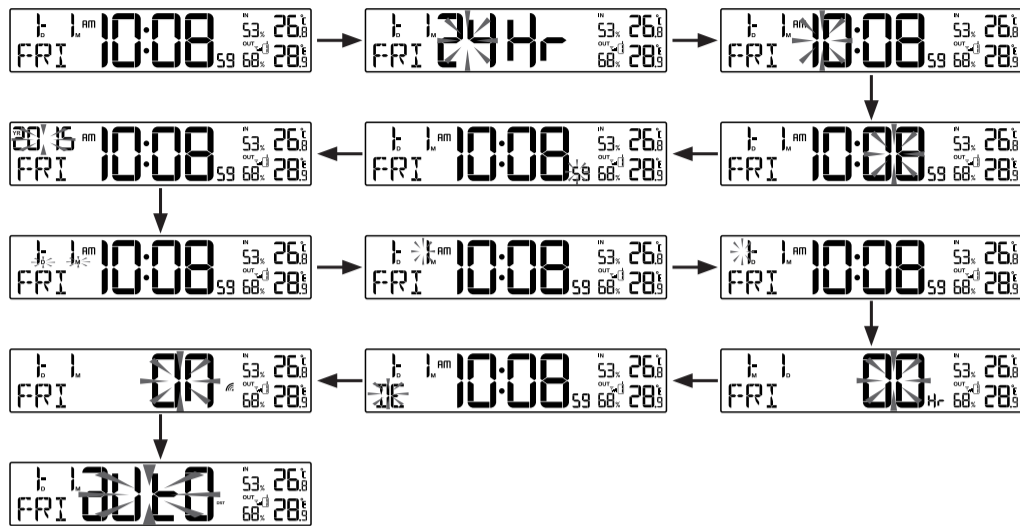
 No RCC signal received	 Received RCC signal
-----------------------------------------------------------------------------------------------------------------	--------------------------------------------------------------------------------------------------------------

1. This unit will automatically search RCC signal at 2:00am , 8:00am, 2:00pm and 8:00pm per day.
2. Always place the unit away from interfering sources such as TV set, computer, etc.
3. Avoid placing the unit on or next to metal plate.
4. Closed area such as airport, basement, tower block or factory is not recommended.
5. Do not start reception on a moving article such as vehicle or train.

TIME AND CALENDAR SETTING

If you are out of the reach of the Radio Controlled Transmitter or if the reception is not reachable, the time can be set manually. As soon as the transmitter is received again, the clock will automatically synchronize with received time.

1. In normal time mode, press and hold [**TIME**] key for 2 seconds to enter 12/24 hour format setting.
2. Press [**+**] or [**-**] key to set your desired. (Press it without releasing to speed up the setting.)
3. Press [**TIME**] key again to step the setting items in this sequence: 12/24 hour format → Hour → Minute → Second → Year → MD/ DM → Month → Date → ±23 hour offset → Language → RC ON/OFF → DST AUTO/OFF .
4. Press [**TIME**] key to save and exit the setting mode, or the clock will automatically exit the setting mode 60 seconds later without pressing any button.



NOTE:

1. 7 selectable languages and setting orders: EN(English) → FR(French) → DE(German) → ES(Spanish) → IT(Italian) → NL(Dutch) → RU(Russian)

ALARM ON/OFF

1. In normal time mode, press [**ALARM**] key to show the alarm time, press again to turn on/off alarm function and alarm icon "🔔" appearing/disappearing on display.

USING ALARM AND SNOOZE

1. In normal time mode, press and hold [**ALARM**] key for 2 seconds until alarm Hour digit flashes to enter alarm time setting mode.
2. Press [**+**] or [**-**] key to change the value (Press and hold the key to speed up the setting.)
3. Repeat the above operations to set alarm time in this order: Hour → Minute.
4. Press [**ALARM**] key to save and exit the setting, or the clock will automatically exit the setting mode 60 seconds later without pressing any button.

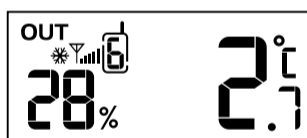


NOTE:

1. The alarm will be automatically turned on when you set the alarm time with the icon "🔔" displayed.
2. Press [**ALARM/SNOOZE**] button to stop the current alarm and enter snooze. Alarm icon will be flashing continuously. The alarm will sound again in 5 minutes. Snooze can be operated continuously in 24 hours.
3. When the alarm is sounding, it will stop automatically without pressing any key in 2 minutes. Also you can press and hold the [**ALARM/SNOOZE**] button key for 2 seconds or press [**ALARM**] button to stop the current alarm. And the alarm will automatically sound again at the alarm time next day.

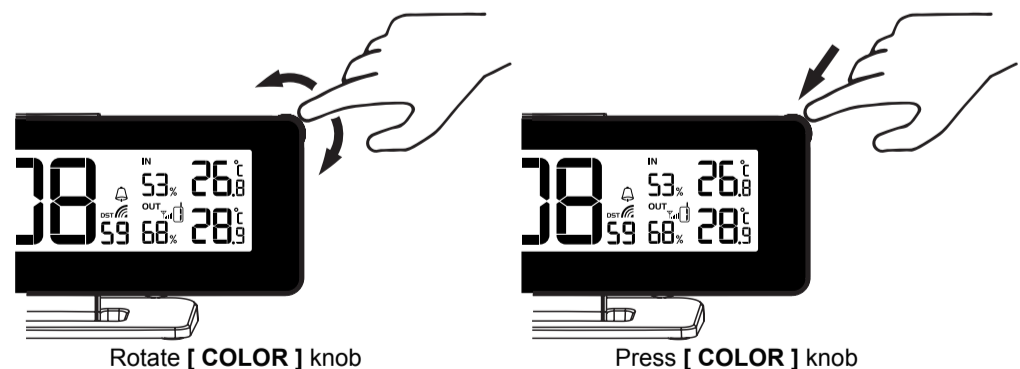
LOW TEMPERATURE ALERT

When the outdoor temperature is 3°C or below, the "❄️" icon will display.



COLOURFUL BACKLIGHT DISPLAY

1. Slide [**OFF / LO / HI**] slide switch to the [**OFF**] position to turn off the backlight. Slide to the [**LO**] position for the dimmer backlight. Slide to the [**HI**] position for the brighter backlight.
2. When the backlight is on, press [**RAINBOW**] key to change backlight colour. The backlight colour changes in this sequence: white → red → orange → yellow → green → cyan → blue → purple.
3. Rotate [**COLOR**] knob clockwise or anticlockwise to tune the backlight with 256 colour. Press [**COLOR**] knob to turn on or turn off the backlight colour change .



4. Press [**OUTDOOR TEMP**] key to enter Colour by temperature mode and change colour according to the temperature value that received from the wireless sensors. It has 17 backlight colors to display different temperature ranges

VIEWING THE CHANNEL

The default channel is CH 1. In normal time mode, press [**CH/+**] key to view the channels from 1 to 8. If you have more than one sensor, the channels can automatically toggle by pressing and holding [**CH/+**] key for 2 seconds, with "beep" tone.

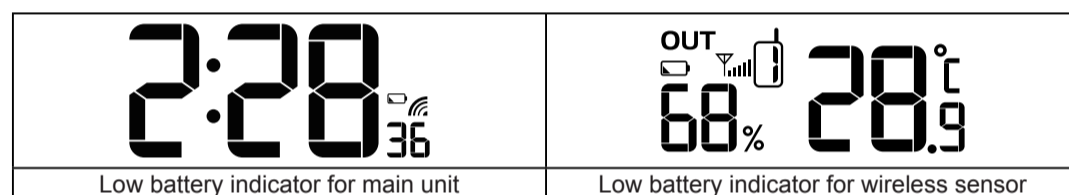
	Temperature Range (°C)	Colour
1	≤-20.0°C	Dark Blue
2	-19.9°C - 11.0°C	Light Blue
3	-10.9°C - 5.0°C	Dark Aqua
4	-4.9°C - 2.0°C	Light Aqua
5	-1.9°C - 1.0°C	White
6	1.1°C - 4.0°C	Peak Green
7	4.1°C - 8.0°C	Green
8	8.1°C - 12.0°C	Yellow
9	12.1°C - 16.0°C	Light yellow
10	16.1°C - 20.0°C	Light orange
11	20.1°C - 24.0°C	Orange
12	24.1°C - 28.0°C	Light red
13	28.1°C - 32.0°C	Red
14	32.1°C - 36.0°C	Pink
15	36.1°C - 40.0°C	Light pink
16	40.1°C - 45.0°C	Purple
17	≥45.1°C	Gray

CHECKING AND DELETING MAX/MIN TEMPERATURE AND HUMIDITY RECORDS

1. In normal time mode, press [**MAX/MIN**] key once to show the outdoor maximum temperature with record time of current channel that show on the LCD display
2. Repeat the above operations to show the record in below order: outdoor maximum temperature → outdoor minimum temperature → outdoor maximum humidity → outdoor minimum humidity → indoor maximum temperature → indoor minimum temperature → indoor maximum humidity → indoor minimum humidity → normal time mode.
3. Once display the MAX/MIN record, press and hold [**MAX/MIN**] key for 3 seconds to delete the current MAX/MIN temperature or humidity records of current channel or indoor that show on the LCD display, with "beep" tone.

LOW BATTERY INDICATOR

If the low battery indicator "🔋" appear in the outdoor temperature region, it indicates that the battery power of the transmitter is not enough, and you should replace with 2 x AA size batteries at once. If the low battery indicator "🔋" appear near the time region, it indicates that the backup battery of the main unit is not enough, and you should replace the CR2032 battery.



NOTE:

1. If the battery power of the transmitter is not enough, insert 2x AA size batteries and press [**RESET**] key of transmitter and [**SENSOR**] key of the main unit so that it can receive the time and temperature automatically.
2. Attention! Please dispose of used unit or batteries in an ecologically safe manner.

SAFETY INFORMATION

- This main unit is intended to be used only indoors.
- Do not subject the unit to excessive force or shock.
- Do not expose the unit to extreme temperatures, direct sunlight, dust or moist environment.
- Do not immerse in water.
- Avoid contact with any corrosive materials.
- Do not dispose this unit in a fire as it may explode
- Do not open the inner back case or tamper with any components of this unit.
- Please dispose of used unit or batteries in an ecologically safe manner.

SPECIFICATION

MAIN UNIT

Operating temperature range:	-5°C ~ 50°C	23°F ~ 122°F
Temperature resolution:	0.1°C	0.1°F
Operating humidity range:	1% ~ 99%	
Humidity resolution:	1%	
Radio controlled signal:	Received from wireless sensor	

WIRELESS SENSOR GARNI 110H

Operating temperature range:	-40°C ~ 60°C	-40°F ~ 140°F	(base on lithium battery)
Temperature resolution:	0.1°C	0.1°F	
Operating humidity range:	1% ~ 99%		
Humidity resolution:	1%		
RF transmission frequency:	433MHz		
Max RF power	7 dBm (5 mW)		
No. of remote sensors:	up to 8 units		
RF transmission range:	maximum 30 meters		
Radio controlled signal:	DCF		

POWER

Main unit:	AC / DC 5V, 1 A adapter, CR2032 lithium battery for backup
Remote sensor:	1.5V, AA x 2 (alkaline battery recommended)

DIMENSION

Main unit:	230(W) x 87.5(H) x 49(D) mm
Remote sensor:	61(W) x 113.6(H) x 39.5(D) mm

DECLARATION OF CONFORMITY

Company GARNI technology a.s. declares that the radio device model GARNI 185 Arcus - complies with Directive 2014/53 / EU. The full text of the EU Declaration of Conformity is available on the following website: www.garni-meteo.cz

Instruction translated, edited and processed: **GARNI** technology a.s.
Copying this manual or its parts is forbidden without the author's permission

www.garnitechnology.com
www.garnitechnology.cz
www.garni-meteo.cz

