



Instruction Video

SPA4

User Manual • Užívateľský manuál •
Užívateľský manuál • Használati utasítás •
Benutzerhandbuch

The product user guide contains product features, how to use, and the operating procedure. Read the user manual carefully to get the best experience and avoid unnecessary damage. Keep this manual for future reference. If you have any questions or comments about the device, please contact the customer line.

✉ www.alza.co.uk/kontakt

☎ +44 (0)203 514 4411

Importer Alza.cz a.s., Jankovcova 1522/53, Holešovice, 170 00 Praha 7, www.alza.cz

Warning

READ ALL INSTRUCTIONS AND SAFETY WARNINGS IN THIS MANUAL

Failure to follow the warnings and instructions in this manual may result in serious injury, drowning or electric shock.

The safety of your children is left on your hand! The risk is the highest for children aged below 5. Be high alert all the time.

Always comply with the following instructions:

- The children should be under close and constant supervision;
- Designate one security responsible;
- Always designate a responsible person to manage pool and pool area;
- Adult supervision should always be relevant to the number of people using the pool;
- Wet the nape, chest and legs before entering the water;
- Learn the safety gestures and especially the specifics to children;
- Prohibit diving and jumping;
- Prohibit running, splashing games around the pool;
- Do not let an unattended child who does not swim use the pool with no life-jackets on;
- Do not leave any players around and in the basin unattended;
- Always keep the water treatment products out of reach of all children.

If incident occurs remove the injured person or child from the pool and pool area

Contact emergency services for advice and guidance on how to treat injured person or child

Important safety instructions

For your own safety and that of your product, make sure to following the safety precautions below. Failure to follow the instruction may result in serious injury, property damage or death. Improper installation or operation will void the warranty.

Read, understand and follow all instructions:

DANGER

- Risk of accidental drowning:
 - Extreme caution must be exercised to prevent unauthorized access by children.
 - Inspect the spa cover regularly for leak, premature wear and tear, damage or signs of deterioration. Never use a worn or damaged cover: it will not provide the level of protection required to prevent unsupervised access to the spa by a child.
 - Always lock the spa cover after each use.
- Risk of injury:
 - The suction fittings in this spa are sized to match the specific water flow created by the pump.
 - Never operate the spa if the suction fittings are broken or missing. Never replace a suction fitting with an incompatible one.
 - If the supply cord is damaged, it must be replaced by the manufacturer, its service agent or similarly qualified persons in order to avoid a hazard.
- Risk of Electric Shock:
 - Do not permit any electrical appliances, such as a light, telephone, radio or television within 1.5m (5 feet) of a spa tub.
 - Do not use the spa when it is raining, thundering or lightning.

WARNING

- To reduce the risk of electric shock, do not use an extension cord, timers, plug adapters or converter plugs to connect the unit to electric supply; provide a properly located outlet.
- The spa electrical appliance should be supplied through a residual current device (RCD) having a rated residual operating current not exceeding 10mA.
- Parts containing live parts, except parts supplied with safety extra-low voltage not exceeding 12V, must be inaccessible to occupants in the spa.
- Parts incorporating electrical components, except remote control devices, must be located or fixed so that they cannot fall into the spa.
- Residential electrical connection box must be located safely with a distance of at least 2m away from the spa.
- Electric installation should fulfill the local requirement or standards.
- This appliance can be used by children aged from 8 years and above and persons with reduced physical, sensory or mental capabilities or lack of experience and knowledge if they have been given supervision or instruction concerning use of the

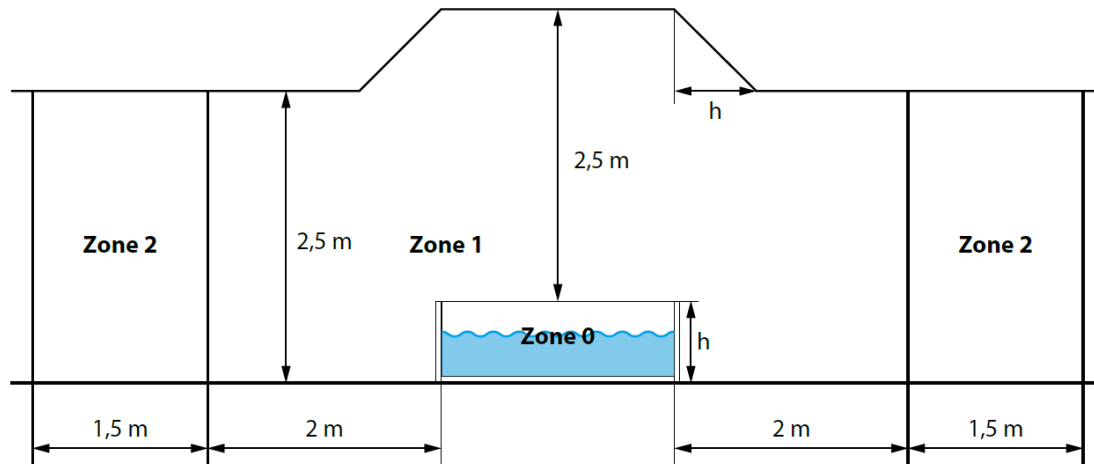
appliance in a safe way and understand the hazards involved. Children shall not play with the appliance. Cleaning and user maintenance shall not be made by children without supervision.

- To reduce the risk or injury, do not permit children use this product unless they are closely supervised all times.
- To reduce the risk of child drowning, supervise children all times. Attach and lock spa cover after each use.
- Make sure the floor is capable of supporting the expected load ($\geq 500\text{kg/m}^2$).
- Adequate draining system must be provided around the spa to deal with overflow water.
- To avoid damage do not leave the appliance empty for an extended period.
- To avoid damage to the pump, the spa must never be operated unless the spa is filled with water.
- Immediately leave spa if uncomfortable or sleepy.
- To reduce the risk of injury:
 - Lower water temperatures are recommended for young children and when spa use exceeds 10 minutes. To avoid the possibility of hyperthermia (heat stress) occurring it is recommended that the average temperature of spa-pool water should not exceed 40°C (104°F).
 - Since excessive water temperatures have a high potential for causing fetal damage during the early months of pregnancy, pregnant or possibly pregnant women should limit spa water temperatures to 38°C (100°F).
 - Before entering a spa or hot tub the user should measure the water temperature with an accurate thermometer since the tolerance of water temperature regulating devices varies.
 - The use of alcohol, drugs or medication before or during spa use may lead to unconsciousness with the possibility of drowning.
 - The use of alcohol, drugs, or medication can greatly increase the risk of fatal hyperthermia in spas. The causes and symptoms of hyperthermia may be described as follows: Hyperthermia occurs when the internal temperature of body reaches a level several degrees above the normal body temperature 37°C (98.6°F). The symptoms of hyperthermia include an increase in the internal temperature of body, dizziness, lethargy, drowsiness, and fainting. The effect of hyperthermia include failure to perceive heat; failure to recognize the need to exit spa; unawareness of impending hazard; fatal damage in pregnant women; physical inability to exit the spa; and unconsciousness resulting in the danger of drowning.
 - Obese persons or persons with a history of heart disease, low or high blood pressure, circulatory system problem, or diabetes should consult a physician before using a spa.
 - Persons using medication should consult a physician before using a spa since some medication may induce drowsiness while other medication may affect heart rate, blood pressure and circulation.

- Check with doctor before use if pregnant, diabetic, in poor health, or under medical care.
- People with infectious disease should not use a spa or hot tub.
- To avoid injury exercise care when entering or existing the spa or hot tub.
- Water temperature in excess of 40°C (104°F) may be injurious to your health.
- Never use a spa or hot tub alone or allow others to use the spa alone.
- Do not use a spa or hot tub immediately following strenuous exercise.
- Do not put the spa under 4°C (39°F) environment in order to avoid freezing if there is still water in the pool.
- Do not turn on the spa when the water is frozen.
- Never pour water with a temperature higher than 40°C (104°F) into the spa directly.
- Always unplug this product from the electrical outlet before removing, cleaning, servicing, or making any adjustment to the product.
- Never jump or dive into a spa or any shallow body of water.
- Do not bury the electrical cord. Locate the cord where it will not be damaged by lawn mowers, hedge trimmers and other equipment.
- Do not attempt to plug in or unplug this product while standing in water or when your hands are wet.
- Do not use the spa if damaged in delivery and/or malfunctioning in any way.
- Keep all pets away from the spa to avoid any damage.
- Do not add bath oil or bath salt to the spa water.
- Do not leave an empty pool outside.
- To prevent resetting of the thermal cut out, this appliance must not be supplied through an external switching device, such as a timer, or connected to a circuit that is regularly switched on and off by the utility.
- The wired controller shall be properly stored at the side pocket when not used, to protect the controller from falling or other factors.
- Spa heat in conjunction with alcohol, drugs, or medication can cause unconsciousness.
- Exit immediately if uncomfortable, dizzy, or sleepy. Spa heat can cause hyperthermia and unconsciousness.
- Avoid putting the head under water at all times.
- Avoid swallowing spa water.

Warning: Water protection levels of appliance at different product zones are different see the following scheme. (Installation regulations comply to IEC 60364-7-702)

The hot tub's electrical connections must be installed in the electrical safety zones labelled 1, 2 or outside all safety zones. The measured zones are limited by walls and fixed partitions.



NOTE-The measured zone dimensions are limited by walls and fixed partitions.

Zones	Description of the zones
Zone 0	Zone 0 is the interior of the basin including any recesses in their walls or floors.
Zone 1	Zone 1 is limited by <ul style="list-style-type: none"> • Zone 0 • A vertical plane 2m from the rim of the basin. • The floor or the surface expected th be occupied by persons • The horizontal plane 2.5m above the floor or the surface
Zone 2	Zone 2 is limited by <ul style="list-style-type: none"> • A vertical plane external th zone 1 and parallel plane 1.5m from the former. • By the floor or surface intended to be occupied by persons.

Specifications

Model	17660XX
Capacity	4 persons
Dimension (outer)	Ø 145 × 70 cm (Ø 57" × 27.6")
Dimension (inner)	Ø 135 × 70 cm (Ø 53.1 " × 27.6")
Water level Max	40 cm
Water capacity	800 L (211 gal)
Power supply	220-240 V,50 Hz,1540W
Max heat temperature	40°C
Test certificate	CE / UKCA
Heating efficiency Ambient temperature: 20°C	1.5 - 2.5°C/h

Package list



Liner



Pump unit



Top cover



Ground cloth



RCD plug



Wrench



Inflating hose



Pump unit connectors



Caps



Repair kit



Filter cartridge



Filtration cartridge support



Hand pump

Installation

WARNING: Spa installed on inadequately level surfaces are subject to leaking, forming irregularities or collapses, which can result in property damage or serious injury for those in or around the spa area!

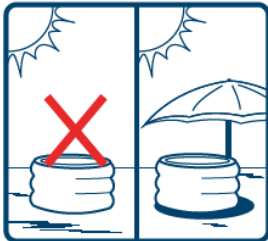
CAUTION: Please choose your set-up area carefully as lawn and other desirable vegetation underneath the ground cloth (if applicable) will die. Furthermore, try to avoid setting the ground cloth in areas prone to aggressive plant and weed species, as they may grow through the ground cloth.

Site selection

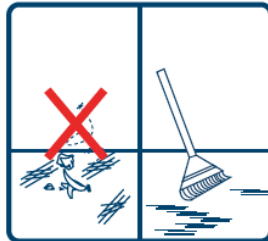
WARNING: Before proceeding to installation your spa, please make sure that the future location meets the following conditions:

- A level place in order to avoid any defect, hernia or leakage.
- Wide enough to support the pool and its pump unit.
- Able to support more than 500 kg/m².
- Sheltered from the sun and bad weather.
- Clean and free from sharp objects.
- Devoid of aggressive vegetation on the ground.

Failure to comply with these rules may result in property damage or personal injury.



A place with an awning



Clean the place



A level place

RCD test

WARNING: The RCD plug must be tested before each use..

Do not use if RCD test fails and see chapter - Troubleshooting



1. Insert the plug into the power outlet.



2. Press the «RESET» button, the indicator light turns red.



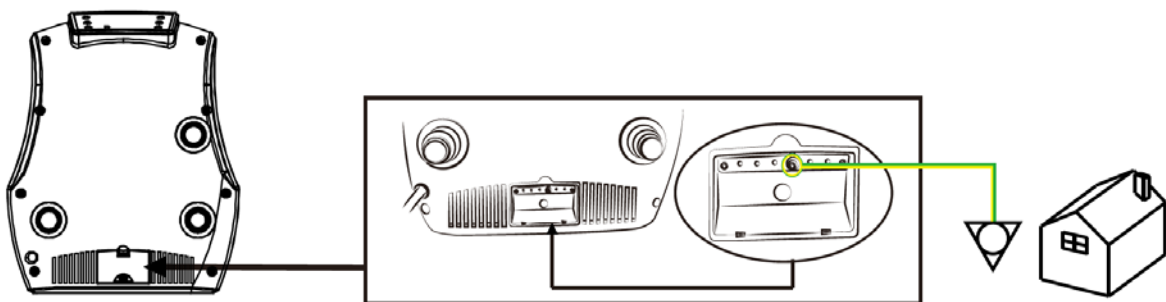
3. Press the «TEST» button, the indicator light turns off.



4. Press the «RESET» button, the indicator light turns red. The RCD works properly.

Grounding

You are recommended to use the services of a qualified electrician to ensure that the spa is electrically grounded by using a copper conductor of at least 2.5 mm² cross section.



Assembling



1) Unfold the inflatable spa over the base protector.



2) Before inflating, assemble connecting tube into SPA pool



3) Inspect spring inside valve in the upspring status



4) Connect the inflation hose to the pump on the socket.



5) Insert the inflation hose into the inflatable spa.



6) Connect the pump unit then press the button to inflate the spa.



7) Wait 60 seconds for SPA shaping



8) Make up air through a hand pump equipped



9) Complete inflating and remove the inflate tube



10) Insure valve tightened by tools.



11) Screw the cap firmly in place.



12) Connect the unit pump to the pool using the 3 connectors to screw. Ensure the icons on the pump and the pool match up.



13) Put the filter cartridge in the support then screw it onto the lower suction inside the basin. Cartridge location as shown.



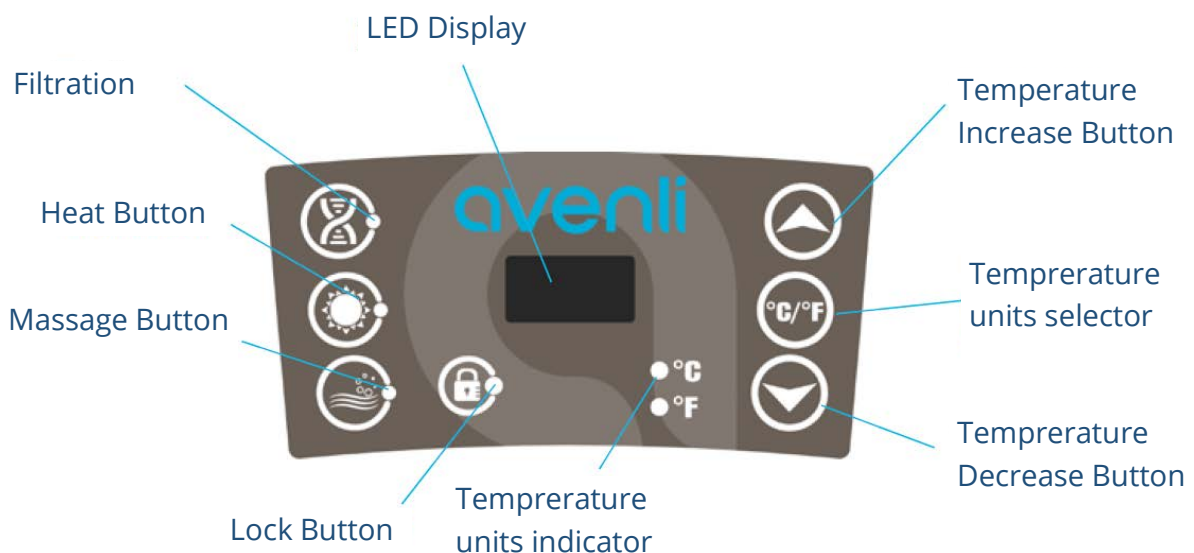
14) Ensure that the drain caps are properly closed before filling the spa.



15) Smooth wrinkles out of the bottom of the spa, then fill the spa to the level indicated. Your spa is ready.

Usage

Control panel



Functions

Once powered-up, the LED displays the current water temperature automatically.



The temperature units selector changes the temperature units from Celsius degrees to Fahrenheit degrees.



Press the temperature adjustment buttons, then the screen will flash. When it is flashing, you can set the desired temperature. The value will increase or



decrease 1 degree at once. The temperature could be set between 30°C to 40°C (86°F to 104°F).



To lock or unlock the control panel, press the Lock button and hold 3 seconds. Lock the control panel when you are away to prevent other people come to change your settings.



Press the massage button to activate the bubble massage system, the green indicator light turns on. It can be turned off by pressing it again.

Note:

- The massage system will stop automatically after 30 minutes of operation. Re-activate the massage function by pressing the massage button again.
- When filter button is on, pressing bubble button will exchange filter mode into massage mode: filter indicator light will turn off and massage indicator light turn on. If press the bubble button again, the massage mode will be changed back to filter mode.



Press the filter button to activate the water filtration. The green indicator light will turn on when the filtration system is activated.

Note:

- If massage function is on, the filtration can't be activated.



Press the heating button to activate water heating and filtering system at the same time. The green indicator light of filter and red indicator light of heating will turn on at same time.

The pump does not stop heating until the current water temperature reaches the set temperature; and the heating system will restart after the current water temperature drops 2°C below the set temperature automatically.

Maximum heating temperature: 40°C (104°F)

Important:

After 150 cumulative hours of filtration operations, an audible alarm will sound and the LCD display will show the characters CHG, followed by FIL, to remind you to change or clean the filter. You can hold the filtering button 5 seconds to turn off the buzzing. The filtering system will turn off, you can press the button to active the filtering system again.

Note:

- With the heating system starting, the filtration system will start working together.
- After turning off the heating system, the filtration system will still work.
- If the massage function is active, the filtration and heating functions can not be activated

Pool cover and security

After each use, the control panel must be locked and the pool must be coated with its top cover and it must be attached to the base protector with the safety buckles.

Each safety buckles has a lock system ; closed buckle, the latch in up position locks the buckle, the latch in down position unlocks the buckle.

The top cover keeps the heat from the water and secures the pool.



Maintenance

Water maintenance

WARNING: A bad pool water quality can harm your health.

Depending on the frequency and conditions of use:

- The filter cartridge should be regularly cleaned (150 hours max.).
- The filter cartridge should be replaced every 1 to 2 month.
- The pool water should be changed every 15 to 30 days.

Use a water test kit to control the parameters of the water before using the spa, or at least once a week.

Use disinfection products for the spa. The treatment products should be used with caution and it is imperative to refer to their instructions.

Damage resulting from improper use of treatment products is not covered by warranty (overdose, shock treatment, ...).

1. Water balance

The water balance (pH) must be maintained between 7 and 7.4.

2. Water Sanitation

To sanitize the pool water, we suggest using an active oxygen-based treatment or bromine placed in a floating dispenser. (Dispenser sold separately).



Cleaning and replacing filter cartridge

Dirty filter cartridge may contaminate the pool water and cause damage to the heating function.

1. Unscrew the filter case by turning it counter-clockwise. Take out the filter cartridge from the case.
2. Rinse off the filter cartridge with a garden hose. If the filter cartridge remains dirty and discoloured, the filter cartridge should be replaced.
3. Put back the cleaned filter cartridge into his case and screw it to the pool.



Disinfection

Water Sanitation:

To sanitize the pool water, we suggest using an active oxygen-based treatment or bromine placed in a floating dispenser. (Dispenser sold separately)

If water is heavily polluted you should not use pool.

Clean pool with with specialist UV lighting equipment.

Seek professional advice and guidance before doing this.

Attention:

Detergent residues and dissolved solids from bathing suits and chemicals may build up on the spa walls, Use soap and water to clean the walls and rinse thoroughly with a garden hose using a direct powerful waterspray.

Drainage and storage

Drainage

- Check the stopper on the bottom of the pool and the drain cap.
- Unscrew the drain cap.
- Remove the stopper on the bottom of the pool. Completely drain all water from the spa pool.

Once empty, the pool can be cleaned with soap and water.



Storage

- Press the bubbling button to blow out the water inside the jet holes. Unplug the pump, remove the filter cartridge from the inner wall of the pool.
- Use a towel to wipe off the pool, dry 24 hours.
- Push the valves to deflate the pool.
- Fold the pool.

It is recommended that store the SPA in its original package in a warm dry place.



Repair kit

Little holes or puncture can be repaired with the repair kit included and glue reserved to pool liner.

- Find the leak.
- Thoroughly clean the area surrounding the leak.
- Cut a piece of repair material in round shape, which should be larger than the damaged area.
- Apply adhesive to the underneath side of the patch and around the area to be repaired.
- Put the patch on the damaged area and press down firmly. Allow 12 hours for repair to dry. After patch has dried, apply glue around the edges for a complete seal (dry 4 hours).

Trouble shooting

If air valve damages or leaks, please replace valve according to the steps followed.



Directly press down spring inside valve to deflate.



Use tools to unscrew air valve spindle.



Replace a new air valve spindle.



Tighten the air valve by tools.

Troubleshooting

Here are some useful tips to help you to diagnose and rectify common sources of trouble.

Problem	Cause	Solution
Control panel screen does not operate	Check power source	Power failure
		Reset the RCD plug / Check if the wiring system is adapted to the power of the pump unit.
		Call for service if it does not reset
SPA pump does not heat properly	Temperature set is too low	Set to a higher temperature
	Filter Cartridge is dirty	Clean or Replace the cartridge (see chapter - Cleaning)
	Too low water level	Fill water to minimum water level
	Heating element defective	Call for service
Bubble massage system does not work	Pump is overheating	Cut off the power and wait until the pump has cooled.
	Auto shut-down feature (30min) is activated	Press the bubble button to reactivate
	Malfunction of the pump unit	Call for service if it does not reset
Water filtration does not work	Filter Cartridge is dirty	Clean or Replace the cartridge (see chapter - Cleaning)
	Inlet and outlet blocked	Clean the inlet and outlet
	Air inside the pump	Fill water to minimum water level
	Malfunction of the pump unit	Call for service if it does not reset
Pump leakage	Adaptor seal improperly	Replace the seal in the right position
	Water leakage from pump body	Check the pump body, call for service
Spa pool leakage	Spa pool is torn or punctured	Use provided repair kit (see chapter - Repair kit)
Water is not clean	Insufficient filtering time	Increase the filtering time
	Filter Cartridge is dirty	Clean or Replace the cartridge (see chapter - Cleaning)
	Pool filled water quality	Change the pool water completely
	Improper water treatment	Refer to the chemical manufacturer's instructions
CHG FIL	After 150 cumulative hours of filtration operations, an audible alarm will sound and the LCD display will show the characters CHG, followed by FIL, to remind you to change or clean the filter. You can hold the filtering button 5 seconds to turn off the buzzing. The filtering system will turn off, you can press the button to active the filtering system again.	

Error code

If the screen displays an error code "Ex", please refer to the table below.

Code	Situation	Problem	Causes	Solutions
E1	Not heating properly.	Wrong temperature control sensor.	Temperature control sensor short circuit or open circuit.	Contact service center
E3	Not heating properly.	High water temperature indicator.	<ol style="list-style-type: none"> 1. The filled water is over 45°C (113°F) 2. The filter cartridge was put on the wrong suction fitting (higher suction fitting). 	<ol style="list-style-type: none"> 1. Cut off the power, make sure the pool water is between 2°C~44°C (36°F~111°F). If this does not solve the problem, refer to the box below. 2. Put the filter cartridge on the lower suction fitting.
E4	All functions do not work, buzzing warn.	Low water temperature indicator.	The pool water is lower than 2°C (36°F).	<ul style="list-style-type: none"> • Cut off the power, make sure the pool. water is between 2°C~44°C (36°F~111°F) • If this does not solve the problem, refer to the box below
E5	All functions do not work, buzzing warn.	High water temperature indicator.	The filled water is over 50°C (122°F)	<ul style="list-style-type: none"> • Cut off the power, turn to qualified electrician to reset the thermal cutout described in next paragraph. • If this does not solve the problem, refer to the box below
E6	Not heating and filtering properly. Buzzing warns.	Water pressure is not big enough to activate heating.	<ul style="list-style-type: none"> • Inlet or outlet on inner wall are blocked. • Filter cartridge is too dirty. • Pool water does not reach minimum water level. • Do not release air from pump 	<ul style="list-style-type: none"> • Clean inlet and outlet • Clean or replace filter cartridge • Add water to reach water level • Do air release as outlined again • If this does not solve the problem, refer to the box below

E3, E4, E5, E6 error code

Cut off electricity for 5 minutes and reconnect.

If error code is still displayed on the control Box, please do the following instructions

- Check that the water line is between the high and low limits.
- Clean or replace the filter cartridge.
- Unscrew and clean the 2 nozzles (Entry and exit of water) inside the spa and remove wastes if necessary (Neaf, hairs, fur, skin...)
- Check that the propeller of the filter pump does not contain foreign matter.

Cut the spa again electrically for 5 minutes and re-connect it, if the error code is still displayed on the control box please contact the Service Center.

Warranty Conditions

A new product purchased in the Alza.cz sales network is guaranteed for 2 years. If you need repair or other services during the warranty period, contact the product seller directly, you must provide the original proof of purchase with the date of purchase.

The following are considered to be a conflict with the warranty conditions, for which the claimed claim may not be recognized:

- Using the product for any purpose other than that for which the product is intended or failing to follow the instructions for maintenance, operation and service of the product.
- Damage to the product by a natural disaster, the intervention of an unauthorized person or mechanically through the fault of the buyer (e.g. during transport, cleaning by inappropriate means, etc.).
- Natural wear and aging of consumables or components during use (such as batteries, etc.).
- Exposure to adverse external influences, such as sunlight and other radiation or electromagnetic fields, fluid intrusion, object intrusion, mains overvoltage, electrostatic discharge voltage (including lightning), faulty supply or input voltage and inappropriate polarity of this voltage, chemical processes such as used power supplies, etc.
- If anyone has made modifications, modifications, alterations to the design or adaptation to change or extend the functions of the product compared to the purchased design or use of non-original components.

EU Declaration of Conformity

Identification data of the manufacturer's / importer's authorized representative:

Importer: Alza.cz a.s.

Registered office: Jankovcova 1522/53, Holešovice, 170 00 Prague 7

IČO: 27082440

Subject of the declaration:

Title: SPA

Model / Type: 17660XX

The above product has been tested in accordance with the standard(s) used to demonstrate compliance with the essential requirements laid down in the Directive(s):

Directive No. (EU) 2014/53/EU

Directive No. (EU) 2011/65/EU as amended 2015/863/EU

Prague, 26.06.2021



WEEE

This product must not be disposed of as normal household waste in accordance with the EU Directive on Waste Electrical and Electronic Equipment (WEEE - 2012/19 / EU). Instead, it shall be returned to the place of purchase or handed over to a public collection point for the recyclable waste. By ensuring this product is disposed of correctly, you will help prevent potential negative consequences for the environment and human health, which could otherwise be caused by inappropriate waste handling of this product. Contact your local authority or the nearest collection point for further details. Improper disposal of this type of waste may result in fines in accordance with national regulations.



Vážený zákazníku,

Uživatelská příručka k výrobku obsahuje funkce výrobku, návod k použití a postup obsluhy. Přečtěte si pozorně uživatelskou příručku, abyste získali co nejlepší zkušenosti a předešli zbytečným škodám. Tento návod si uschovejte pro budoucí použití. Máte-li jakékoli dotazy nebo připomínky k zařízení, obraťte se na zákaznickou linku.

✉ www.alza.cz/kontakt

☎ +420 255 340 111

Dovozce Alza.cz a.s., Jankovcova 1522/53, Holešovice, 170 00 Praha 7, www.alza.cz

Varování

PŘEČTĚTE SI VŠECHNY POKYNY A BEZPEČNOSTNÍ UPOZORNĚNÍ V TÉTO PŘÍRUČCE.

Nedodržení varování a pokynů uvedených v tomto návodu může způsobit vážné zranění, utonutí nebo úraz elektrickým proudem.

Bezpečnost vašich dětí je na vaší straně! Riziko je nejvyšší u dětí mladších 5 let. Buďte neustále ve střehu.

Vždy dodržujte následující pokyny:

- Děti by měly být pod přísným a stálým dohledem;
- Určete jednu odpovědnou osobu, která bude dbát na bezpečnost;
- Určete jednu odpovědnou osobu, která bude spravovat vířivku a její okolí;
- Dozor dospělých by měl vždy odpovídat počtu osob, které vířivku využívají;
- Před vstupem do vody si namočte zátylek, hrudník a nohy;
- Naučte se bezpečnostní gesta a zejména specifika pro děti;
- Zákaz potápění a skákání;
- Zakažte běhání a stříkání vody kolem;
- Nedovolte, aby dítě bez dozoru, které neumí plavat, používalo vířivku bez rukávků;
- Výrobky na údržbu vody vždy uchovávejte mimo dosah dětí.

Pokud dojde k nehodě, vyvedte zraněnou osobu nebo dítě z okolí vířivky.

Obraťte se na záchrannou službu, která vám poradí, jak ošetřit zraněnou osobu nebo dítě.

Důležité bezpečnostní pokyny

V zájmu vlastní bezpečnosti a bezpečnosti výrobku dodržujte níže uvedená bezpečnostní opatření. Nedodržení pokynů může způsobit vážné zranění, poškození majetku nebo smrt. Nesprávnou instalací nebo provozem zaniká záruka.

Přečtěte si všechny pokyny a dodržujte je:

NEBEZPEČÍ

- Riziko náhodného utonutí:
 - Je třeba dbát zvýšené opatrnosti, aby se zabránilo neoprávněnému přístupu dětí.
 - Pravidelně kontrolujte, zda kryt správně těsní, zda nedošlo k jeho předčasnému opotřebení nebo známky poškození. Nikdy nepoužívejte opotřebovaný nebo poškozený kryt: nezajistí potřebnou úroveň ochrany, která by zabránila přístupu dítěte bez dozoru.
 - Po každém použití kryt vždy zavřete.
- Riziko zranění:
 - Sací armatury jsou dimenzovány tak, aby odpovídaly specifickému průtoku vody vytvářenému čerpadlem.
 - Nikdy nepoužívejte vířivku, pokud jsou sací armatury poškozené nebo chybí. Nikdy nevyměňujte sací armaturu za nekompatibilní.
 - Pokud je přívodní kabel poškozen, musí jej vyměnit výrobce, jeho servisní zástupce nebo podobně kvalifikované osoby, aby se předešlo nebezpečí.
- Riziko úrazu elektrickým proudem:
 - Ve vzdálenosti menší než 1,5 m od lázeňské vany nepoužívejte žádné elektrické spotřebiče, jako je světlo, telefon, rádio nebo televize.
 - Nepoužívejte vířivku, když prší, hřmí nebo se blýská.

VAROVÁNÍ

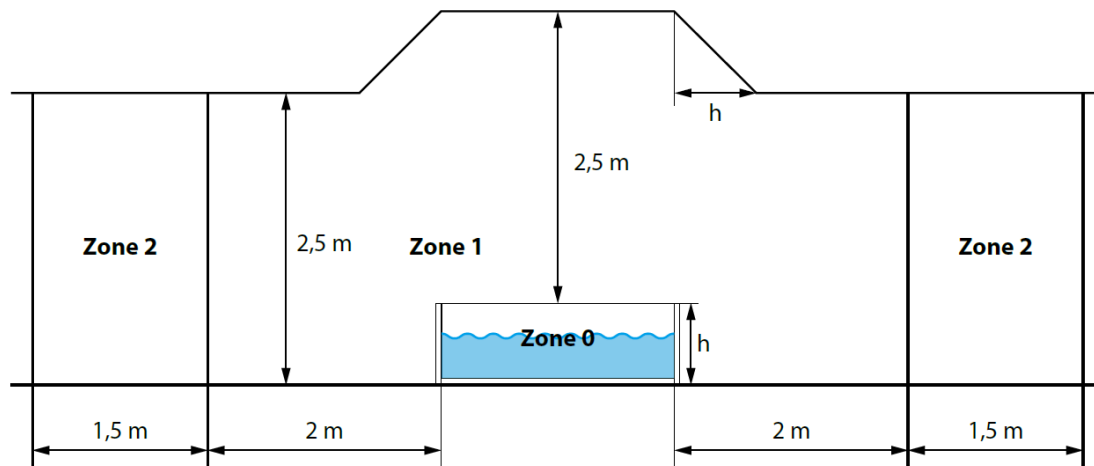
- Abyste snížili riziko úrazu elektrickým proudem, nepoužívejte k připojení produktu k elektrické síti prodlužovací kabel, časovače, adaptéry nebo měniče zástrček; zajistěte správně umístěnou zásuvku.
- Elektrický přístroj ve vířivce by měl být napájen přes proudový chránič (RCD) se jmenovitým zbytkovým provozním proudem nepřesahujícím 10 mA.
- Části obsahující části pod napětím, s výjimkou částí dodávaných s bezpečnostním velmi nízkým napětím nepřesahujícím 12 V, musí být pro osoby nacházející se uvnitř vířivky nepřístupné.
- Součásti obsahující elektrické komponenty, s výjimkou zařízení pro dálkové ovládání, musí být umístěny nebo upevněny tak, aby nemohly spadnout do vody.
- Bytová elektrická přípojná skříňka musí být umístěna bezpečně ve vzdálenosti nejméně 2 m od vířivky.
- Elektrická instalace by měla splňovat místní požadavky nebo normy.

- Tento výrobek mohou používat děti od 8 let a starší a osoby se sníženými fyzickými, smyslovými nebo duševními schopnostmi nebo s nedostatkem zkušeností a znalostí, pokud jsou pod dohledem nebo byly poučeny o bezpečném používání výrobku a rozumí souvisejícím nebezpečím. Děti si s výrobkem nesmí hrát. Čištění a uživatelskou údržbu nesmí provádět tyto osoby bez dozoru.
- Abyste snížili riziko poranění, nedovolte dětem používat tento výrobek, pokud nejsou po celou dobu pod přísným dohledem.
- Abyste snížili riziko utonutí dítěte, dohlížejte na děti po celou dobu. Po každém použití připevněte a uzavřete kryt.
- Ujistěte se, že podlaha unese očekávané zatížení ($\geq 500 \text{ kg/m}^2$).
- Kolem vířivky musí být k dispozici odpovídající odvodňovací systém, který se postará o přetékající vodu.
- Abyste zabránili poškození, nenechávejte výrobek delší dobu prázdný.
- Aby nedošlo k poškození čerpadla, nesmí být vířivka nikdy provozována, pokud není naplněna vodou.
- Pokud se necítíte dobře nebo jste ospalí, okamžitě opusťte vířivku.
- Snížení rizika zranění:
 - Nižší teploty vody se doporučují pro malé děti a při použití delším než 10 minut. Aby se zabránilo možnosti vzniku hypertermie (tepelného stresu), doporučuje se, aby průměrná teplota vody nepřekročila $40 \text{ }^\circ\text{C}$.
 - Vzhledem k tomu, že nadměrná teplota vody může v prvních měsících těhotenství způsobit poškození plodu, měly by těhotné ženy nebo ženy, které by mohly být těhotné, omezit teplotu vody na $38 \text{ }^\circ\text{C}$.
 - Před vstupem do vířivky by měl uživatel změřit teplotu vody přesným teploměrem, protože tolerance zařízení pro regulaci teploty vody se liší.
 - Požití alkoholu, drog nebo léků před nebo během pobytu ve vodě může vést k bezvědomí s možností utonutí.
 - Užívání alkoholu, drog nebo léků může výrazně zvýšit riziko smrtelné hypertermie. Příčiny a příznaky hypertermie lze popsat následovně: K hypertermii dochází, když vnitřní teplota těla dosáhne úrovně o několik stupňů vyšší, než je normální tělesná teplota $37 \text{ }^\circ\text{C}$ ($98,6 \text{ }^\circ\text{F}$). Mezi příznaky hypertermie patří zvýšení vnitřní tělesné teploty, závratě, letargie, ospalost a mdloby. Mezi následky hypertermie patří nevnímání tepla, nerozpoznání nutnosti opustit vodu, neuvědomění si hrozícího nebezpečí, fyzická neschopnost opustit vodu a bezvědomí vedoucí k nebezpečí utonutí.
 - Obézní osoby nebo osoby, které v minulosti trpěly srdečním onemocněním, nízkým nebo vysokým krevním tlakem, problémy s oběhovým systémem nebo cukrovkou, by se měly před použitím poradit s lékařem.
 - Osoby, které užívají léky, by se měly před použitím poradit s lékařem, protože některé léky mohou vyvolat ospalost, zatímco jiné léky mohou ovlivnit srdeční tep, krevní tlak a krevní oběh.
 - Před použitím se poradte s lékařem, pokud jste těhotná, diabetik, máte špatný zdravotní stav nebo jste v lékařské péči.

- Lidé s infekčním onemocněním by neměli používat vířivku.
- Abyste předešli zranění, buďte při vstupu do vířivky opatrní.
- Teplota vody vyšší než 40 °C může být zdraví škodlivá.
- Nikdy nepoužívejte vířivku sami.
- Nepoužívejte vířivku bezprostředně po náročném cvičení.
- Aby nedošlo k zamrznutí vířivky, nekládejte ji do prostředí s teplotou pod 4 °C, pokud je ve vířivce stále voda.
- Nezapínejte vířivku, když je voda zamrzlá.
- Nikdy nenalévejte vodu přímo do vířivky o teplotě vyšší než 40 °C.
- Před demontáží, čištěním, údržbou nebo jakýmkoli nastavováním výrobku jej vždy odpojte od elektrické zásuvky.
- Nikdy neskákejte ani se nepotápějte ve vířivce ani v žádné mělké vodní nádrži.
- Pozor na zakopnutí o elektrický kabel. Šňůru umístěte na místo, kde ji nepoškodí sekačky na trávu, nůžky na živý plot a další zařízení.
- Nepokoušejte se zapojit nebo odpojit tento výrobek, pokud stojíte ve vodě nebo máte mokré ruce.
- Nepoužívejte vířivku, pokud je při dodání poškozená a/nebo jakýmkoli způsobem nefunkční.
- Aby nedošlo k poškození vířivky, nepouštějte do ní žádná domácí zvířata.
- Do lázeňské vody nepřidávejte koupelový olej ani koupelovou sůl.
- Nenechávejte vířivku venku prázdnou.
- Aby se zabránilo resetování tepelné pojistky, nesmí být tento výrobek napájen přes externí spínací zařízení, jako je časovač, nebo připojen k obvodu, který je pravidelně zapínán a vypínán elektrickou sítí.
- Pokud se kabelový ovladač nepoužívá, musí být řádně uložen v boční kapse, aby byl chráněn před pádem nebo jinými vlivy.
- Teplá voda ve spojení s alkoholem, drogami nebo léky může způsobit bezvědomí.
- Pokud se necítíte dobře, máte závratě nebo jste ospalí, okamžitě odejděte ven z vody. Horká voda může způsobit hypertermii a bezvědomí.
- Hlavu nepotápějte pod vodu.
- Vyvarujte se požití vody ve vířivce.

Varování: Úroveň ochrany výrobku před vodou v různých zónách výrobku se liší viz následující schéma. (Instalační předpisy odpovídají IEC 60364-7-702)

Elektrické přípojky vířivky musí být instalovány v elektrických bezpečnostních zónách označených 1, 2 nebo mimo všechny bezpečnostní zóny. Měřené zóny jsou omezeny stěnami a pevnými příčkami.



POZNÁMKA: Rozměry měřené zóny jsou omezeny stěnami a pevnými příčkami.

Zóny	Popis zón
Zóna 0	Zóna 0 je prostor vířivky včetně případných výklenků ve stěnách a podlaze.
Zóna 1	Zóna 1 je omezena: <ul style="list-style-type: none"> • Zónou 0 • Svislou rovinou ve vzdálenosti 2 m od okraje vířivky. • Podlahou, na které se předpokládá, že se na ní budou pohybovat osoby. • Vodorovnou rovinou 2,5 m nad podlahou.
Zóna 2	Zóna 2 je omezena: <ul style="list-style-type: none"> • Svislou rovinou vně zónu 1 a rovnoběžnou rovinou 1,5 m od ní. • Podlahou určené k pobytu osob.

Specifikace

Model	17660XX
Kapacita	4 osoby
Rozměr (vnější)	Ø 145 × 70 cm (Ø 57" × 27.6")
Rozměr (vnitřní)	Ø 135 × 70 cm (Ø 53.1 " × 27.6")
Hladina vody Max	40 cm
Kapacita vody	800 l (211 gal)
Napájení	220-240 V, 50 Hz, 1540 W
Maximální teplota vody	40°C
Zkušební certifikát	CE / UKCA
Účinnost vytápění Teplota okolí: 20 °C	1,5 - 2,5 °C/h

Seznam balení



Podšívka



Čerpadlová jednotka



Horní kryt



Pozemní tkanina



Zástrčka RCD



Klíč



Nafukovací hadice



Konektory čerpací jednotky



Čepice



Opravná sada



Filtr



Podpora filtru



Ruční čerpadlo

Instalace

VAROVÁNÍ: Vířivka instalovaná na nedostatečně rovném povrchu bude náchylná k úniku vody. Tvoří se nerovnosti nebo se propadá. To může způsobit řádné poškození nebo vážné zranění osob ve vířivce nebo jejím okolí!

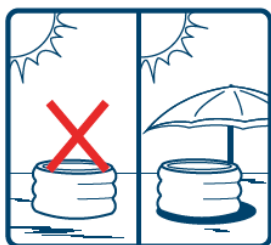
UPOZORNĚNÍ: Pečlivě si vyberte místo pro postavení vířivky, protože trávník a další žádoucí vegetace pod půdní textilí (pokud je k dispozici) odumře. Kromě toho se snažte vyhnout nastavení zemní tkaniny v oblastech náchylných k výskytu agresivních druhů rostlin a plevelů, protože mohou prorůst zemní tkaninou.

Výběr místa

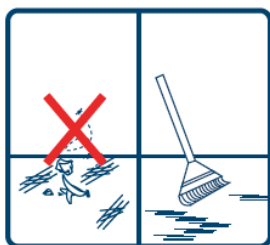
UPOZORNĚNÍ: Před instalací se ujistěte, že budoucí místo splňuje následující podmínky:

- Rovné místo, aby se předešlo jakémukoli defektu.
- Dostatečně široký prostor.
- Nosnost více než 500 kg/m².
- Chránění místo před sluncem a nepřízní počasí.
- Čisté a bez ostrých předmětů.
- Bez agresivní vegetace na zemi.

Nedodržení těchto pravidel může mít způsobit poškození majetku nebo zranění osob.



Místo s markýzou



Čisté místo



Rovné místo

Zkouška RCD

VAROVÁNÍ: Zástrčka RCD musí být před každým použitím otestována.

Nepoužívejte, pokud test proudového chrániče selže a viz kapitola - Řešení problémů



1. Zasuňte zástrčku do zásuvky.



2. Stiskněte tlačítko "RESET", kontrolka se rozsvítí červeně.



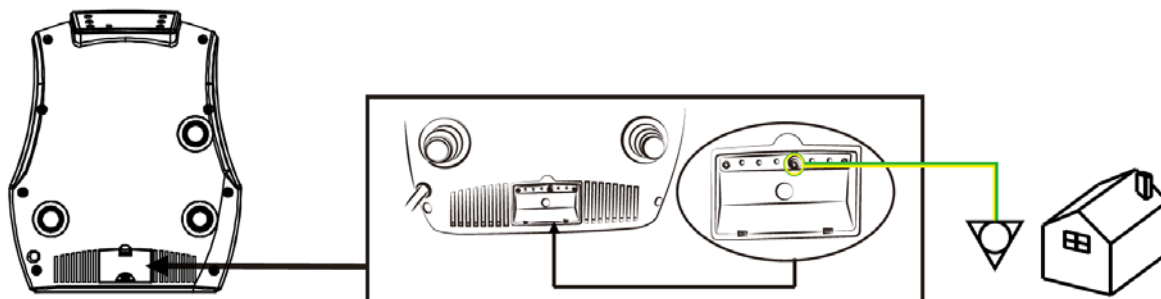
3. Stiskněte tlačítko "TEST", kontrolka zhasne.



4. Stiskněte tlačítko "RESET", kontrolka se rozsvítí červeně. Přístroj RCD funguje správně.

Uzemnění

Doporučujeme využít služeb kvalifikovaného elektrikáře, který zajistí elektrické uzemnění pomocí měděného vodiče o průřezu alespoň 2,5 mm².



Montáž



1) Rozložte nafukovací vířivku přes chránič základny.



2) Před nafouknutím namontujte spojovací trubku do vířivky.



3) Zkontrolujte pružinu uvnitř ventilu ve vzpřímeném stavu.



4) Připojte nafukovací hadici k pumpě v zásuvce.



5) Vložte nafukovací hadici do vířivky.




6) Připojte jednotku čerpadla a stiskněte tlačítko pro nafouknutí.



7) Počkejte 60 sekund na vytvarování.



8) Doplněte vzduch pomocí ruční pumpy.  4 psi



9) Dokončete nafukování a vyjměte nafukovací hadičku.



10) Zkontrolujte, zda je ventil dotažen pomocí nástrojů.



11) Pevně zašroubujte víčko.



12) Připojte čerpadlo k vířivce ke šroubům pomocí 3 konektorů. Ujistěte se, že ikony na čerpadle a vířivce souhlasí.



13) Vložte filtr do podpěry a poté našroubujte na spodní sání uvnitř vířivky. Umístěte podle obrázku.



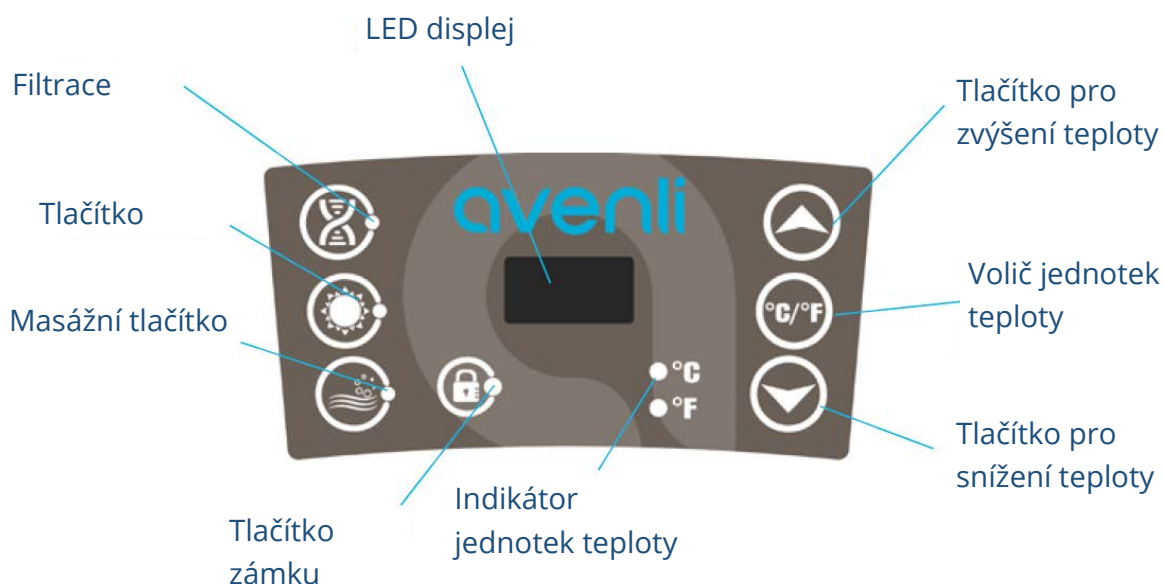
14) Před naplněním vířivky se ujistěte, že jsou vypouštěcí uzávěry řádně uzavřeny.



15) Vyhlaďte záhyby na dně a poté vířivku naplňte na uvedenou úroveň. Vaše vířivka je připravena.

Použití

Ovládací panel



Funkce

Po zapnutí se na displeji LED automaticky zobrazí aktuální teplota vody.



Volič jednotek teploty mění jednotky teploty ze stupňů Celsia na stupně Fahrenheit.



Tlačítka pro nastavení teploty, poté začne displej blikat. Když bliká, můžete nastavit požadovanou teplotu. Hodnota se zvýší nebo sníží o 1 stupeň najednou.



Teplotu lze nastavit v rozmezí 30 °C až 40 °C.



Chcete-li ovládací panel uzamknout nebo odemknout, stiskněte tlačítko Zámku na 3 sekundy.

Ovládací panel uzamkněte, když jste pryč, abyste zabránili jiným osobám změnit nastavení.



Stisknutím masážního tlačítka aktivujete systém bublinkové masáže, rozsvítí se zelená kontrolka. Opětovným stisknutím lze vypnout.

Poznámka:

- Masážní systém se automaticky zastaví po 30 minutách provozu. Masážní funkci znovu aktivujte opětovným stisknutím masážního tlačítka.
- Když je tlačítko filtru zapnuté, stisknutím tlačítka bublinek se režim filtru změni na masážní režim: kontrolka filtru zhasne a kontrolka masáže se rozsvítí. Při opětovném stisknutí tlačítka bublinek se režim masáže změni zpět na režim filtru.



Stisknutím tlačítka filtru aktivujete filtraci vody. Po aktivaci filtračního systému se rozsvítí zelená kontrolka.

Poznámka:

- Pokud je zapnutá masážní funkce, nelze aktivovat filtraci.



Stisknutím tlačítka ohřevu aktivujete ohřev vody a filtrační systém současně. Současně se rozsvítí zelená kontrolka filtru a červená kontrolka ohřevu. Čerpadlo nepřestane ohřívat, dokud aktuální teplota vody nedosáhne nastavené teploty; a systém ohřevu se automaticky znovu spustí poté, co aktuální teplota vody klesne o 2 °C pod nastavenou teplotu.

Maximální teplota ohřevu: 40 °C

Důležité:

Po 150 kumulativních hodinách filtrace se ozve zvukový signál a na LCD displeji se zobrazí znaky CHG a následně FIL, které vás upozorní na nutnost výměny nebo vyčištění filtru. Podržením tlačítka filtrace na 5 sekund se zvukový signál vypne. Filtrační systém se vypne, stisknutím tlačítka můžete filtrační systém opět aktivovat.

Poznámka:

- Po spuštění topného systému začne filtrační systém pracovat společně.
- Po vypnutí topného systému bude filtrační systém stále pracovat.
- Pokud je aktivní masážní funkce, nelze aktivovat funkce filtrace a vyhřívání.

Zakrytí a zabezpečení vířivky

Po každém použití musí být ovládací panel uzamčen a vířivka musí být potažena horním krytem a ten musí být připevněn k chrániči základny pomocí bezpečnostních spon.

Každá bezpečnostní spona má systém zámku; zavřená spona, západka v horní poloze sponu uzamkne, západka v dolní poloze sponu odemkne.

Horní kryt udržuje teplo vody a chrání vířivku.



Údržba

Údržba vody

VAROVÁNÍ: Špatná kvalita vody může poškodit vaše zdraví.

V závislosti na četnosti a podmínkách používání:

- Filtr by se měl pravidelně čistit (max. 150 hodin).
- Filtr je třeba vyměnit každé 1 až 2 měsíce.
- Voda ve vířivce by se měla měnit každých 15 až 30 dní.

Před použitím vířivky nebo alespoň jednou týdně použijte sadu na testování vody, abyste zkontrolovali parametry vody.

Používejte dezinfekční přípravky. Léčebné přípravky by se měly používat opatrně a je nutné se řídit jejich návodem.

Na škody vzniklé v důsledku nesprávného použití léčebných přípravků se nevztahuje záruka (předávkování, šoková léčba atd.).

1. Vodní bilance

Vodní bilance (pH) musí být udržována v rozmezí 7 až 7,4.

2. Sanitace vody

K dezinfekci vody doporučujeme použít přípravek na bázi aktivního kyslíku nebo brom umístěný v plovoucím dávkovači. (Dávkovač se prodává samostatně).



Čištění a výměna filtrační vložky

Znečištěná filtrační vložka může znečistit vodu ve vířivce a poškodit funkci ohřevu.

1. Odšroubujte pouzdro filtru otáčením proti směru hodinových ručiček. Vyjměte filtr z pouzdra.
2. Filtr vypláchněte zahradní hadicí. Pokud zůstane znečištěný a zabarvený, je třeba jej vyměnit.
3. Vyčištěný filtr vložte zpět do pouzdra a přišroubujte k vířivce.



Dezinfekce

Hygiena vody:

K dezinfekci vody doporučujeme použít přípravek na bázi aktivního kyslíku nebo bromu umístěný v plovoucím dávkovači. (Dávkovač se prodává samostatně)

Pokud je voda silně znečištěná, neměli byste vířivku používat.

Vířivku vyčistěte pomocí specializovaného zařízení s UV osvětlením.

Před tímto úkonem vyhledejte odbornou radu a vedení.

Pozor:

Na stěnách vířivky se mohou usazovat zbytky čisticích prostředků a rozpuštěných pevných látek z plavek a chemikálií, k čištění stěn použijte vodu a mýdlo a důkladně je opláchněte zahradní hadicí přímým silným proudem vody.

Odvodnění a skladování

Odvodnění

- Zkontrolujte zátku na dně vířivky a vypouštěcí uzávěr.
- Odšroubujte vypouštěcí uzávěr.
- Odstraňte zátku na dně vířivky. Úplně vypusťte veškerou vodu.

Po vyprázdnění lze vyčistit vodou a mýdlem.



Uskladnění

- Stisknutím tlačítka bublinek vyfoukněte vodu z otvorů trysky. Odpojte čerpadlo a vyjměte filtr z vnitřní stěny vířivky.
- Vířivku otřete ručníkem a nechte ji 24 hodin vyschnout.
- Stisknutím ventilů vířivku vypustíte.
- Vířivku můžete složit.

Vířivku se doporučuje skladovat v původním obalu na teplém a suchém místě.



Opravná sada

Malé díry nebo propíchnutí lze opravit pomocí přiložené opravné sady a lepidla.

- Najděte únik.
- Důkladně vyčistěte okolí úniku.
- Vyřízněte kus opravného materiálu kruhového tvaru, který by měl být větší než poškozené místo.
- Naneste lepidlo na spodní stranu záplaty a kolem opravovaného místa.
- Přiložte náplast na poškozené místo a pevně ji přitlačte. Nechte opravu 12 hodin zaschnout. Po zaschnutí záplaty naneste po okrajích lepidlo, aby došlo k úplnému utěsnění (schnutí 4 hodiny).

Řešení problémů

Pokud dojde k poškození nebo úniku vzduchu z ventilu, vyměňte ventil podle následujících pokynů.



Přímo stiskněte pružinu uvnitř ventilu, aby se vyprázdnil.



Pomocí náradí odšroubujte vřeteno vzduchového ventilu.



Vyměňte nové vřeteno vzduchového ventilu.



Utáhněte vzduchový ventil pomocí náradí.

Řešení problémů

Zde je několik užitečných rad, které vám pomohou diagnostikovat a odstranit běžné problémy.

Problém	Příčina	Řešení
Displej ovládacího panelu nefunguje	Zkontrolujte zdroj napájení	Výpadek napájení
		Resetujte zástrčku RCD / Zkontrolujte, zda je elektroinstalace přizpůsobena výkonu čerpací jednotky.
		Pokud se neresetuje, zavolejte servis
Čerpadlo neohřívá správně	Nastavená teplota je příliš nízká	Nastavte vyšší teplotu
	Filtr je znečištěný	Vyčistěte nebo vyměňte filtr (viz kapitola - Čištění).
	Příliš nízká hladina vody	Naplňte vodu na minimální hladinu
	Vadné topné těleso	Vyžádání služby
Systém bublinkové masáže nefunguje	Čerpadlo se přehřívá	Vypněte napájení a počkejte, až čerpadlo vychladne.
	Je aktivována funkce automatického vypnutí (30 minut).	Stisknutím tlačítka bubliny se znovu aktivuje
	Porucha čerpací jednotky	Pokud se neresetuje, zavolejte servis
Filtrace vody nefunguje	Filtr je znečištěný	Vyčistěte nebo vyměňte filtr (viz kapitola - Čištění).
	Zablokovaný vstup a výstup	Vyčistěte vstupní a výstupní otvor
	Vzduch uvnitř čerpadla	Naplňte vodu na minimální hladinu
	Porucha čerpací jednotky	Pokud se neresetuje, zavolejte servis
Netěsnost čerpadla	Nesprávné těsnění adaptéru	Vyměňte těsnění ve správné poloze
	Únik vody z tělesa čerpadla	Zkontrolujte těleso čerpadla, zavolejte servis
Únik vody	Vířivka je roztržená nebo propíchnutá	Použijte dodanou opravnou sadu (viz kapitola - Opravná sada).
Voda není čistá	Nedostatečná doba filtrování	Prodloužení doby filtrování
	Filtr je znečištěný	Vyčistěte nebo vyměňte filtr (viz kapitola - Čištění).
	Kvalita vody ve vířivce	Úplně vyměňte vodu
	Nesprávná úprava vody	Viz pokyny výrobce chemické látky
CHG FIL	Po 150 kumulativních hodinách filtrace se ozve zvukový signál a na displeji LCD se zobrazí znaky CHG a následně FIL, které vám připomenou výměnu nebo vyčištění filtru. Podržetím tlačítka filtrace na 5 sekund se zvukový signál vypne. Filtrační systém se vypne, stisknutím tlačítka můžete filtrační systém opět aktivovat.	

Chybové kódy

Pokud se na obrazovce zobrazí chybový kód "Ex", postupujte podle následující tabulky.

Kód	Situace	Problém	Příčina	Řešení
E1	Nevyhřívá se správně.	Špatný snímač regulace teploty.	Zkrat nebo rozpojení čidla regulace teploty.	Kontaktujte servisní středisko.
E3	Nevyhřívá se správně.	Indikátor vysoké teploty vody.	3. Naplněná voda má teplotu vyšší než 45 °C. 4. Filtrační patrona byla nasazena na špatné sací šrouby.	3. Vypněte napájení a ujistěte se, že voda má teplotu mezi 2°C~44°C. Pokud to problém nevyřeší, postupujte podle níže uvedeného rámečku. 4. Nasaďte filtr na spodní sací šrouby.
E4	Všechny funkce nefungují, bzučení je známka varování.	Indikátor nízké teploty vody.	Voda má teplotu nižší než 2 °C.	<ul style="list-style-type: none"> Vypněte napájení, ujistěte se, že voda má teplotu mezi 2°C~44°C (36°F~111°F).
E5	Všechny funkce nefungují, bzučení je známka varování.	Indikátor vysoké teploty vody.	Naplněná voda má teplotu vyšší než 50 °C.	<ul style="list-style-type: none"> Odpojte napájení a obraťte se na kvalifikovaného elektrikáře, aby resetoval tepelnou pojistku popsanou v následujícím odstavci.
E6	Nesprávné ohřívání a filtrování. Bzučení je známka varování.	Tlak vody není dostatečně velký pro aktivaci ohřevu.	<ul style="list-style-type: none"> Přívod či odvod na vnitřní stěně je zablokovaný. Filtr je znečištěný. Voda nedosahuje minimální hladiny. Nevypouštějte vzduch z čerpadla. 	<ul style="list-style-type: none"> Čistý vstup a výstup Vyčistěte nebo vyměňte filtr Přidejte vodu, abyste dosáhli hladiny vody Znovu proveďte uvolnění vzduchu, jak je popsáno.

Chybové kódy E3, E4, E5, E6

Odpojte na 5 minut elektrický proud a znovu jej připojte.

Pokud se na kontrolním okénku stále zobrazuje chybový kód, proveďte následující pokyny.

- Zkontrolujte, zda je vodní linie mezi horní a dolní mezí.
- Vyčistěte nebo vyměňte filtr.
- Odšroubujte a vyčistěte 2 trysky (vstup a výstup vody) uvnitř vířivky a v případě potřeby odstraňte odpad (chloupky, chlupy, srst, kůži...).
- Zkontrolujte, zda vrtule filtračního čerpadla neobsahuje cizí tělesa.
- Znovu vířivku na 5 minut odpojte od elektriky a znovu připojte, pokud se na ovládacím panelu stále zobrazuje chybový kód, obraťte se na servisní středisko.

Záruční podmínky

Na nový výrobek zakoupený v prodejní síti Alza.cz se vztahuje záruka 2 roky. V případě potřeby opravy nebo jiného servisu v záruční době se obraťte přímo na prodejce výrobku, je nutné předložit originální doklad o koupi s datem nákupu.

Za rozpor se záručními podmínkami, pro který nelze reklamaci uznat, se považují následující skutečnosti:

- Používání výrobku k jinému účelu, než pro který je výrobek určen, nebo nedodržování pokynů pro údržbu, provoz a servis výrobku.
- Poškození výrobku živelnou pohromou, zásahem neoprávněné osoby nebo mechanicky vinou kupujícího (např. při přepravě, čištění nevhodnými prostředky apod.).
- přirozené opotřebení a stárnutí spotřebního materiálu nebo součástí během používání (např. baterií atd.).
- Působení nepříznivých vnějších vlivů, jako je sluneční záření a jiné záření nebo elektromagnetické pole, vniknutí kapaliny, vniknutí předmětu, přepětí v síti, elektrostatický výboj (včetně blesku), vadné napájecí nebo vstupní napětí a nevhodná polarita tohoto napětí, chemické procesy, např. použité zdroje atd.
- Pokud někdo provedl úpravy, modifikace, změny konstrukce nebo adaptace za účelem změny nebo rozšíření funkcí výrobku oproti zakoupené konstrukci nebo použití neoriginálních součástí.

EU prohlášení o shodě

Identifikační údaje zplnomocněného zástupce výrobce/dovozce:

Dovozce: Alza.cz a.s.

Sídlo společnosti: Jankovcova 1522/53, Holešovice, 170 00 Praha 7.

IČO: 27082440

Předmět prohlášení:

Název: Vířivka

Model / typ: 17660XX

Výše uvedený výrobek byl testován v souladu s normou (normami) použitou (použitými) k prokázání shody se základními požadavky stanovenými ve směrnici (směrnících):

Směrnice č. (EU) 2014/53/EU

Směrnice č. (EU) 2011/65/EU ve znění 2015/863/EU

Praha, 26.06.2021



WEEE

Tento výrobek nesmí být likvidován jako běžný domovní odpad v souladu se směrnicí EU o odpadních elektrických a elektronických zařízeních (WEEE - 2012/19 / EU). Místo toho musí být vrácen na místo nákupu nebo předán na veřejné sběrné místo recyklovatelného odpadu. Tím, že zajistíte správnou likvidaci tohoto výrobku, pomůžete předejít možným negativním důsledkům pro životní prostředí a lidské zdraví, které by jinak mohly být způsobeny nevhodným nakládáním s odpadem z tohoto výrobku. Další informace získáte na místním úřadě nebo na nejbližším sběrném místě. Nesprávná likvidace tohoto typu odpadu může mít za následek pokuty v souladu s vnitrostátními předpisy.



Vážený zákazník

Používateľská príručka k výrobku obsahuje funkcie výrobku, návod na použitie a postup obsluhy. Pozorne si prečítajte návod, aby ste získali čo najlepšie skúsenosti a predišli zbytočným škodám. Tento návod si uschovajte na budúce použitie. Ak máte akékoľvek otázky alebo pripomienky k zariadeniu, obráťte sa na zákaznícku linku.

✉ www.alza.sk/kontakt

☎ +421 257 101 800

Dovozca: Alza.cz a.s., Jankovcova 1522/53, Holešovice, 170 00 Praha 7, www.alza.cz

Varovanie

PREČÍTAJTE SI VŠETKY POKYNY A BEZPEČNOSTNÉ UPOZORNENIA V TEJTO PRÍRUČKE.

Nedodržanie upozornení a pokynov uvedených v tomto návode môže spôsobiť vážne zranenia, utopenie alebo úraz elektrickým prúdom.

Bezpečnosť vašich detí je na vašej strane! Riziko je najvyššie u detí mladších ako 5 rokov. Budte neustále v strehu.

Vždy dodržiavajte nasledujúce pokyny:

- Deti by mali byť pod prísny a stálym dohľadom;
- Určite jednu zodpovednú osobu, ktorá bude dbať na bezpečnosť;
- Určite jednu zodpovednú osobu, ktorá bude spravovať vírivku a jej okolie;
- Dohľad dospelých by mal vždy zodpovedať počtu osôb, ktoré vírivku využívajú;
- Pred vstupom do vody si namočte zátylok, hrudník a nohy;
- Naučte sa bezpečnostné gestá a najmä špecifiká pre deti;
- Zákaz potápania a skákania;
- Zakážte behanie a striekanie vody okolo;
- Nedovoľte, aby dieťa bez dozoru, ktoré nevie plávať, používalo vírivku bez rukávov;
- Výrobky na údržbu vody vždy uchovávajte mimo dosahu detí.

Pokiaľ dôjde k nehode, vyveďte zranenú osobu alebo dieťa z okolia vírivky.

Obráťte sa na záchrannú službu, ktorá vám poradí, ako ošetriť zranenú osobu alebo dieťa.

Dôležité bezpečnostné pokyny

V záujme vlastnej bezpečnosti a bezpečnosti výrobku dodržiavajte nižšie uvedené bezpečnostné opatrenia. Nedodržanie pokynov môže spôsobiť vážne zranenia, poškodenie majetku alebo smrť. Nesprávnou inštaláciou alebo prevádzkou zaniká záruka.

Prečítajte si všetky pokyny a dodržiujte ich:

NEBEZPEČENSTVO

- Riziko náhodného utopenia:
 - Je potrebné dbať na zvýšenú opatrnosť, aby sa zabránilo neoprávnenému prístupu detí.
 - Pravidelne kontrolujte, či kryt správne tesní, či nenastalo jeho predčasné opotrebovanie alebo známky poškodenia. Nikdy nepoužívajte opotrebovaný alebo poškodený kryt: nezabezpečí potrebnú úroveň ochrany, ktorá by zabránila prístupu dieťaťa bez dozoru.
 - Po každom použití kryt vždy zatvorte.
- Riziko zranenia:
 - Sacie armatúry sú dimenzované tak, aby zodpovedali špecifickému prietoku vody vytváranému čerpadlom.
 - Nikdy nepoužívajte vŕivku, ak sú sacie armatúry poškodené alebo chýbajú. Nikdy nevymieňajte saciu armatúru za nekompatibilnú.
 - Ak je prírodný kábel poškodený, musí ho vymeniť výrobca, jeho servisný zástupca alebo podobne kvalifikované osoby, aby sa predišlo nebezpečenstvu.
- Riziko úrazu elektrickým prúdom:
 - Vo vzdialenosti menšej ako 1,5 m od kúpeľnej vane nepoužívajte žiadne elektrické spotrebiče, ako je svetlo, telefón, rádio alebo televízor.
 - Nepoužívajte vŕivku, keď prší, hrmí alebo sa blýska.

VAROVANIE

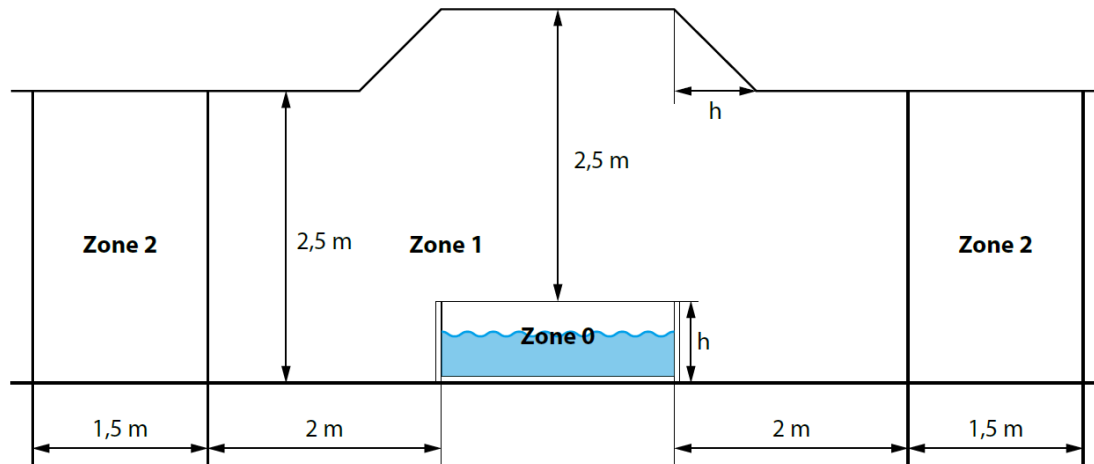
- Aby ste znížili riziko úrazu elektrickým prúdom, nepoužívajte na pripojenie produktu k elektrickej sieti predĺžovací kábel, časovače, adaptéry alebo meniče zástrčiek; zaistite správne umiestnenú zásuvku.
- Elektrický prístroj vo vŕivke by mal byť napájaný cez prúdový chránič (RCD) s menovitým zvyškovým prevádzkovým prúdom nepresahujúcim 10 mA.
- Časti obsahujúce časti pod napätím, s výnimkou častí dodávaných s bezpečnostným veľmi nízkym napätím nepresahujúcim 12 V, musia byť pre osoby nachádzajúce sa vnútri vŕivky neprístupné.
- Súčasti obsahujúce elektrické komponenty, s výnimkou zariadení na diaľkové ovládanie, musia byť umiestnené alebo upevnené tak, aby nemohli spadnúť do vody.
- Bytová elektrická prípojná skrinka musí byť umiestnená bezpečne vo vzdialenosti najmenej 2 m od vŕivky.

- Elektrická inštalácia by mala spĺňať miestne požiadavky alebo normy.
- Tento výrobok môžu používať deti od 8 rokov a staršie a osoby so zníženými fyzickými, zmyslovými alebo duševnými schopnosťami alebo s nedostatkom skúseností a znalostí, pokiaľ sú pod dohľadom alebo boli poučené o bezpečnom používaní výrobku a rozumejú súvisiacemu nebezpečenstvu. Deti sa s výrobkom nemôžu hrať. Čistenie a údržbu nemôžu vykonávať tieto osoby bez dozoru.
- Aby ste znížili riziko poranenia, nedovoľte deťom používať tento výrobok, pokiaľ nie sú celú dobu pod prísny dohľadom.
- Aby ste znížili riziko utopenia dieťaťa, dohliadajte na deti neustále. Po každom použití pripevnite a uzavrite kryt.
- Uistite sa, že podlaha unesie očakávané zaťaženie ($\geq 500 \text{ kg/m}^2$).
- Okolo vŕivky musí byť k dispozícii zodpovedajúci odvodňovací systém, ktorý sa postará o pretekajúcu vodu.
- Aby ste zabránili poškodeniu, nenechávajte výrobok dlhšiu dobu prázdny.
- Aby sa nepoškodilo čerpadlo, nemôže byť vŕivka nikdy uvedená do prevádzky, pokiaľ nie je naplnená vodou.
- Ak sa necítite dobre alebo ste ospalí, okamžite opustite vŕivku.
- Zníženie rizika zranenia:
 - Nižšie teploty vody sa odporúčajú pre malé deti a pri použití dlhšom ako 10 minút. Aby sa zabránilo možnosti vzniku hypertermie (tepelného stresu), odporúča sa, aby priemerná teplota vody neprekročila $40 \text{ }^\circ\text{C}$.
 - Vzhľadom na to, že nadmerná teplota vody môže v prvých mesiacoch tehotenstva spôsobiť poškodenie plodu, mali by tehotné ženy alebo ženy, ktoré by mohli byť tehotné, obmedziť teplotu vody na $38 \text{ }^\circ\text{C}$.
 - Pred vstupom do vŕivky by mal používateľ zmerať teplotu vody presným teplomerom, pretože tolerancie zariadení na reguláciu teploty vody sa líšia.
 - Požitie alkoholu, drog alebo liekov pred alebo počas pobytu vo vode môže viesť k bezvedomiu s možnosťou utopenia.
 - Užívanie alkoholu, drog alebo liekov môže výrazne zvýšiť riziko smrteľnej hypertermie. Príčiny a príznaky hypertermie možno opísať nasledovne: K hypertermii dochádza, keď vnútorná teplota tela dosiahne úroveň o niekoľko stupňov vyššie, než je normálna telesná teplota $37 \text{ }^\circ\text{C}$ ($98,6 \text{ }^\circ\text{F}$). Medzi príznaky hypertermie patrí zvýšenie vnútornej telesnej teploty, závrat, letargia, ospalosť a mdloby. Medzi následky hypertermie patrí nevnímanie tepla, nerozpoznanie nutnosti opustiť vodu, nevedenie si hroziaceho nebezpečenstva, fyzická neschopnosť opustiť vodu a bezvedomie vedúce k nebezpečenstvu utopenia.
 - Obézne osoby alebo osoby, ktoré v minulosti trpeli srdcovým ochorením, nízkym alebo vysokým krvným tlakom, problémami obehového systému alebo cukrovkou, by sa mali pred použitím poradiť s lekárom.
 - Osoby, ktoré užívajú lieky, by sa mali pred používaním poradiť s lekárom, pretože niektoré lieky môžu vyvolať ospalosť, zatiaľ čo iné lieky môžu ovplyvniť srdcový tep, krvný tlak a krvný obeh.

- Pred používaním sa poraďte s lekárom, ak ste tehotná, diabetik, máte zlý zdravotný stav alebo ste v lekárskej starostlivosti.
- Ľudia s infekčným ochorením by nemali používať vírivku.
- Aby ste predišli zraneniu, buďte pri vstupe do vírivky opatrní.
- Teplota vody vyššia ako 40 °C môže byť zdraviu škodlivá.
- Nikdy nepoužívajte vírivku sami.
- Nepoužívajte vírivku bezprostredne po náročnom cvičení.
- Aby nedošlo k zamrznutiu vírivky, nevkladajte ju do prostredia s teplotou pod 4 °C, ak je vo vírivke stále voda.
- Nezapínajte vírivku, keď je voda zamrznutá.
- Nikdy nenalievajte vodu priamo do vírivky s teplotou vyššou ako 40 °C.
- Pred demontážou, čistením, údržbou alebo akýmkoľvek nastavovaním výrobku ho vždy odpojte od elektrickej zásuvky.
- Nikdy neskáčte ani sa nepotápajte vo vírivke ani v žiadnej plytkej vodnej nádrži.
- Pozor na zakopnutie o elektrický kábel. Šnúru umiestnite na miesto, kde ju nepoškodia kosačky na trávu, nožnice na živý plot a ďalšie zariadenia.
- Nepokúšajte sa zapojiť alebo odpojiť tento výrobok, ak stojíte vo vode alebo máte mokré ruky.
- Nepoužívajte vírivku, pokiaľ je pri dodaní poškodená a/alebo akýmkoľvek spôsobom nefunkčná.
- Aby nedošlo k poškodeniu vírivky, nepúšťajte do nej žiadne domáce zvieratá.
- Do kúpeľnej vody nepridávajte kúpeľový olej ani kúpeľovú soľ.
- Nenechávajte vírivku vonku prázdnu.
- Aby sa zabránilo resetovaniu tepelnej poistky, nemôže byť tento výrobok napájaný cez externé spínacie zariadenia, ako je časovač, alebo pripojený k obvodu, ktorý sa pravidelne zapína a vypína elektrickou sieťou.
- Ak sa káblový ovládač nepoužíva, musí byť riadne uložený v bočnom vrecku, aby bol chránený pred pádom alebo inými vplyvmi.
- Teplá voda v spojení s alkoholom, drogami alebo liekmi môže spôsobiť bezvedomie.
- Ak sa necítite dobre, máte závraty alebo ste ospalí, okamžite odíďte von z vody. Horúca voda môže spôsobiť hypertermiu a bezvedomie.
- Hlavu nepotápajte pod vodu.
- Vyvarujte sa požitiu vody vo vírivke.

Varovanie: Úrovne ochrany výrobku pred vodou v rôznych zónach výrobku sa líšia pozri nasledujúcu schému. (Inštalačné predpisy zodpovedajú IEC 60364-7-702)

Elektrické prípojky vírivky musia byť inštalované v elektrických bezpečnostných zónach označených 1, 2 alebo mimo všetky bezpečnostné zóny. Merané zóny sú obmedzené stenami a pevnými priečkami.



POZNÁMKA: Rozmery meranej zóny sú obmedzené stenami a pevnými priečkami.

Zóny	Popis zón
Zóna 0	Zóna 0 je priestor vŕivky vrátane prípadných výklenkov v stenách a podlahe.
Zóna 1	Zóna 1 je obmedzená: <ul style="list-style-type: none"> • Zónou 0 • Zvislou rovinou vo vzdialenosti 2 m od okraja vŕivky. • Podlahou, na ktorej sa predpokladá, že sa na nej budú pohybovať osoby. • Vodorovnou rovinou 2,5 m nad podlahou.
Zóna 2	Zóna 2 je obmedzená: <ul style="list-style-type: none"> • Zvislou rovinou zvonka zóny 1 a rovnobežnou rovinou 1,5 m od nej. • Podlahou určenou na pobyt osôb.

Špecifikácia

Model	17660XX
Kapacita	4 osoby
Rozmer (vonkajší)	Ø 145 × 70 cm (Ø 57" × 27.6")
Rozmer (vnútorný)	Ø 135 × 70 cm (Ø 53.1 " × 27.6")
Hladina vody Max	40 cm
Kapacita vody	800 l (211 gal)
Napájanie	220 – 240 V, 50 Hz, 1540 W
Maximálna teplota vody	40 °C
Skúšobný certifikát	CE/UKCA
Účinnosť vyhrievania Teplota okolia: 20 °C	1,5 – 2,5 °C/h

Obsah balenia



Podšívka



Čerpadlová jednotka



Horný kryt



Pozemná tkanina



Zástrčka RCD



Kľúč



Nafukovacia hadica



Konektory čerpacej jednotky



Viečka



Opravná sada



Filter



Podpora filtra



Ručné čerpadlo

Inštalácia

VAROVANIE: Vírivka inštalovaná na nedostatočne rovnom povrchu bude náchylná na únik vody, tvoria sa nerovnosti alebo sa prepadá. To môže spôsobiť riadne poškodenie alebo vážne zranenie osôb vo vírivke alebo jej okolí!

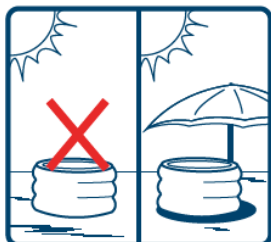
UPOZORNENIE: Starostlivo si vyberte miesto na postavenie vírivky, pretože trávnik a ďalšia žiaduca vegetácia pod pôdnou textíliou (ak je k dispozícii) odumrie. Okrem toho sa snažte vyhnúť položeniu pôdnej tkaniny v oblastiach náchylných na výskyt agresívnych druhov rastlín a burín, pretože môžu prerastať textíliou.

Výber miesta

UPOZORNENIE: Pred inštaláciou sa uistite, že budúce miesto spĺňa nasledujúce podmienky:

- Rovné miesto, aby sa predišlo akémukoľvek defektu.
- Dostatočne široký priestor.
- Nosnosť viac ako 500 kg/m².
- Chránené miesto pred slnkom a nepriazňou počasia.
- Čisté a bez ostrých predmetov.
- Bez agresívnej vegetácie na zemi.

Nedodržanie týchto pravidiel môže spôsobiť poškodenie majetku alebo zranenie osôb.



Miesto s markízou



Čisté miesto



Rovné miesto

Skúška RCD

VAROVANIE: Zástrčka RCD musí byť pred každým použitím otestovaná.

Nepoužívajte, ak test prúdového chrániča zlyhá; pozri kapitolu – Riešenie problémov



1. Zasuňte zástrčku do zásuvky.



2. Stlačte tlačidlo „RESET“, kontrolka sa rozsvieti na červeno.



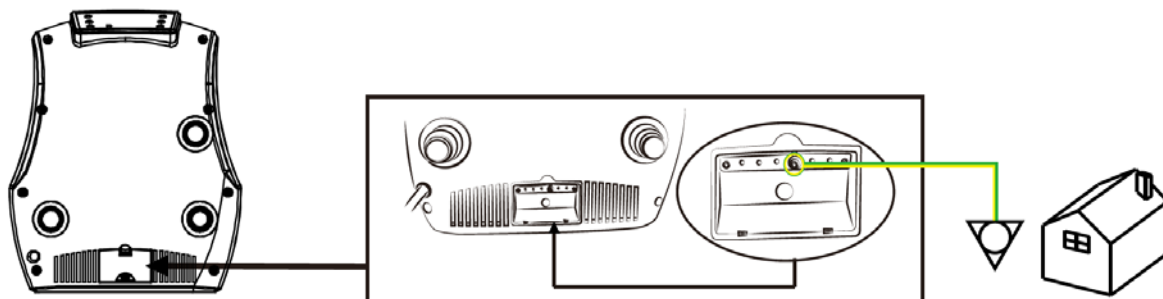
3 Stlačte tlačidlo „TEST“, kontrolka zhasne.



4. Stlačte tlačidlo „RESET“, kontrolka sa rozsvieti červeno. Prístroj RCD funguje správne.

Uzemnenie

Odporúčame využiť služby kvalifikovaného elektrikára, ktorý zaistí elektrické uzemnenie pomocou medeného vodiča s prierezom aspoň 2,5 mm².



Montáž



1) Rozložte nafukovaciu vírivku cez chránič základne.



2) Pred nafúknutím namontujte spojovaciu rúrku do vírivky.



3) Skontrolujte pružinu vnútri ventilu vo vzpriamenom stave.



4) Pripojte nafukovaciu hadicu k pumpe v zásuvke.



5) Vložte nafukovaciu hadicu do nafukovacej vírivky.



6) Pripojte jednotku čerpadla a stlačte tlačidlo na nafúknutie vírivky.



7) Počkajte 60 sekúnd na vytvarovanie.



8) Doplňte vzduch pomocou ručnej pumpy.



9) Dokončite nafukovanie a vyberte nafukovaciu hadičku.



10) Skontrolujte, či je ventil dotiahnutý pomocou nástrojov.



11) Pevne zaskrutkujte viečko.



12) Pripojte čerpadlo k vírivke k skrutkám pomocou 3 konektorov. Uistite sa, že ikony na čerpadle a vírivke súhlasia.



13) Vložte filter do podpery a potom nasrutkujte na spodné nasanie vnútri vírivky. Umiestnite podľa obrázku.



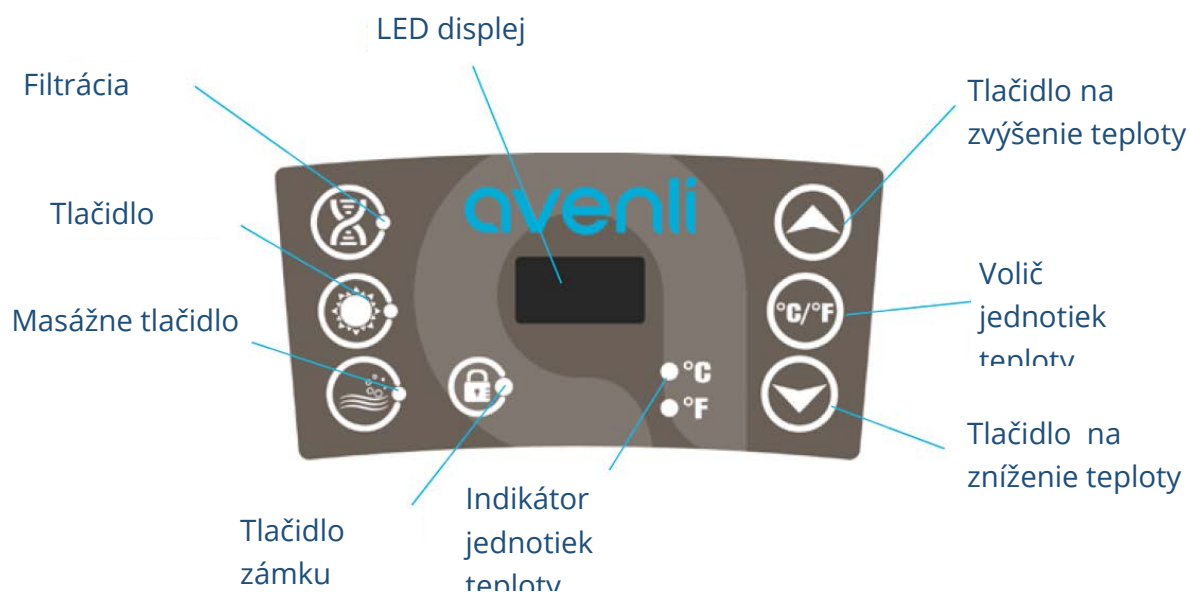
14) Pred naplnením vírivky sa uistite, že vypúšťacie uzávery sú riadne uzavreté.



15) Vyhľadzte záhyby na dne a potom vírivku naplňte na uvedenú úroveň. Vaša vírivka je pripravená.

Použitie

Ovládací panel



Funkcie

Po zapnutí sa na displeji LED automaticky zobrazí aktuálna teplota vody.



Volič jednotiek teploty mení jednotky teploty zo stupňov Celzia na stupne Fahrenheita.



Tlačidlá na nastavenie teploty, potom začne displej blikať. Keď bliká, môžete nastaviť požadovanú teplotu. Hodnota sa zvýši alebo zníži o 1 stupeň naraz.



Teplotu je možné nastaviť v rozmedzí 30 °C až 40 °C.



Ak chcete ovládací panel uzamknúť alebo odomknúť, stlačte tlačidlo zámku na 3 sekundy.

Ovládací panel uzamknite, keď ste preč, aby ste zabránili iným osobám zmeniť nastavenie.



Stlačením masážneho tlačidla aktivujete systém bublinkovej masáže, rozsvieti sa zelená kontrolka. Opätovným stlačením ho možno vypnúť.

Poznámka:

- Masážny systém sa automaticky zastaví po 30 minútach prevádzky. Masážnu funkciu znova aktivujte opätovným stlačením masážneho tlačidla.
- Keď je tlačidlo filtra zapnuté, stlačením tlačidla bubliniek sa režim filtra zmení na masážny režim: kontrolka filtra zhasne a kontrolka masáže sa rozsvieti. Pri opätovnom stlačení tlačidla bubliniek sa režim masáže zmení späť na režim filtra.



Stlačením tlačidla filtra aktivujete filtráciu vody. Po aktivácii filtračného systému sa rozsvieti zelená kontrolka.

Poznámka:

- Pokiaľ je zapnutá masážna funkcia, nemožno aktivovať filtráciu.



Stlačením tlačidla ohrevu aktivujete ohrev vody a filtračný systém súčasne.

Súčasne sa rozsvieti zelená kontrolka filtra a červená kontrolka ohrevu.

Čerpadlo neprestane ohrievať, kým aktuálna teplota vody nedosiahne nastavenú teplotu; a systém ohrevu sa automaticky znovu spustí potom, čo

aktuálna teplota vody klesne o 2 °C pod nastavenú teplotu.

Maximálna teplota ohrevu: 40 °C

Dôležité:

Po 150 kumulatívnych hodinách filtrácie sa ozve zvukový signál a na LCD displeji sa zobrazia znaky CHG a následne FIL, ktoré vás upozornia na nutnosť výmeny alebo vyčistenia filtra. Podržaním tlačidla filtrácie na 5 sekúnd sa zvukový signál vypne. Filtračný systém sa vypne, stlačením tlačidla môžete filtračný systém opäť aktivovať.

Poznámka:

- Po spustení vykurovacieho systému začne filtračný systém pracovať spoločne.
- Po vypnutí vykurovacieho systému bude filtračný systém stále pracovať.
- Ak je aktívna masážna funkcia, nie je možné aktivovať funkciu filtrácie a vyhrievania.

Zakrytie a zabezpečenie vŕivky

Po každom použití musí byť ovládací panel uzamknutý a vŕivka musí byť potiahnutá horným krytom a ten musí byť pripevnený k chrániču základne pomocou bezpečnostných spôn.

Každá bezpečnostná spona má systém zámku; zatvorená spona, západka v hornej polohe sponu uzamkne, západka v dolnej polohe sponu odomkne.

Horný kryt udržuje teplo vody a chráni vŕivku.



Údržba

Údržba vody

VAROVANIE: Nevhodná kvalita vody môže poškodiť vaše zdravie.

V závislosti od frekvencie a podmienok používania:

- Filter by sa mal pravidelne čistiť (max. 150 hodín).
- Filter je potrebné vymeniť každé 1 až 2 mesiace.
- Voda vo vŕivke by sa mala meniť každých 15 až 30 dní.

Pred použitím vŕivky alebo aspoň raz týždenne použite súpravu na testovanie vody, aby ste skontrolovali parametre vody.

Používajte dezinfekčné prípravky. Liečebné prípravky by sa mali používať opatrne a je nutné sa riadiť ich návodom.

Na škody vzniknuté v dôsledku nesprávneho použitia liečebných prípravkov sa nevzťahuje záruka (predávkovanie, šoková liečba atď.).

1. Vodná bilancia

Vodná bilancia (pH) sa musí udržiavať v rozmedzí 7 až 7,4.

2. Sanitácia vody

Na dezinfekciu vody odporúčame použiť prípravok na báze aktívneho kyslíka alebo bróm umiestnený v plávajúcom dávkovači.

(Dávkovač sa predáva samostatne).



Čistenie a výmena filtračnej vložky

Znečistená filtračná vložka môže znečistiť vodu vo vírivke a poškodiť funkciu ohrevu.

1. Odskrutkujte puzdro filtra otáčaním proti smeru hodinových ručičiek. Vyberte filter z puzdra.
2. Filter vypláchnite záhradnou hadicou. Ak zostane znečistený a zafarbený, je potrebné ho vymeniť.
3. Vyčistený filter vložte späť do puzdra a priskrutkujte k vírivke.



Dezinfekcia

Hygiena vody:

Na dezinfekciu vody odporúčame použiť prípravok na báze aktívneho kyslíka alebo brómu umiestnený v plávajúcom dávkovači. (Dávkovač sa predáva samostatne)

Ak je voda silne znečistená, nemali by ste vírivku používať.

Vírivku vyčistíte pomocou špecializovaného zariadenia s UV osvetlením.

Pred týmto úkonom vyhľadajte odbornú radu a usmernenie.

Pozor:

Na stenách vírivky sa môžu usadzovať zvyšky čistiacich prostriedkov a rozpustených pevných látok z plaviek a chemikálií. Na čistenie stien použite vodu a mydlo a dôkladne ich opláchnite záhradnou hadicou priamym silným prúdom vody.

Odvodnenie a skladovanie

Odvodnenie

- Skontrolujte zátku na dne vírivky a vypúšťací uzáver.
- Odskrutkujte vypúšťací uzáver.
- Odstráňte zátku na dne vírivky. Úplne vypustite všetku vodu.

Po vyprázdnení možno vyčistiť vodou a mydlom.



Uskladnenie

- Stlačením tlačidla bubliniek vyfúknite vodu z otvorov trysky. Odpojte čerpadlo a vyberte filter z vnútornej steny vírivky.
- Vírivku utrite handrou a nechajte ju 24 hodín vyschnúť.
- Stlačením ventilov vírivku vypustíte.
- Vírivku môžete zložiť.

Vírivku sa odporúča skladovať v pôvodnom obale na teplom a suchom mieste.



Opravná sada

Malé diery alebo prepichnutie možno opraviť pomocou priloženej súpravy na opravy a lepidla.

- Nájdite únik.
- Dôkladne vyčistite okolie úniku.
- Vyrežte kus opravného materiálu kruhového tvaru, ktorý by mal byť väčší ako poškodené miesto.
- Naneste lepidlo na spodnú stranu záplaty a okolo opravovaného miesta.
- Priložte náplast na poškodené miesto a pevne ju pritlačte. Nechajte opravu 12 hodín zaschnúť. Po zaschnutí záplaty naneste po okrajoch lepidlo, aby došlo k úplnému utesneniu (schnutie 4 hodiny).

Riešenie problémov

Ak dôjde k poškodeniu alebo úniku vzduchu z ventilu, vymeňte ventil podľa nasledujúcich pokynov.



Priamo stlačte pružinu vnútri ventilu, aby sa vyprázdnil.



Pomocou náradia odskrutkujte vreteno vzduchového ventilu.



Vymeňte nové vreteno vzduchového ventilu.



Utiahnite vzduchový ventil pomocou náradia.

Riešenie problémov

Tu je niekoľko užitočných rád, ktoré vám pomôžu diagnostikovať a odstrániť bežné problémy.

Problém	Príčina	Riešenie
Displej ovládacieho panela nefunguje	Skontrolujte zdroj napájania	Výpadok napájania
		Resetujte zástrčku RCD/Skontrolujte, či je elektroinštalácia prispôsobená výkonu čerpacej jednotky.
		Ak sa neresetuje, zavolajte servis
Čerpadlo neohrieva správne	Nastavená teplota je príliš nízka	Nastavte vyššiu teplotu
	Filter je znečistený	Vyčistite alebo vymeňte filter (pozri kapitola – Čistenie).
	Príliš nízka hladina vody	Naplňte vodu na minimálnu hladinu
	Chybné vyhrievacie teleso	Vyžiadanie služby
Systém bublinkovej masáže nefunguje	Čerpadlo sa prehrieva	Vypnite napájanie a počkajte, až čerpadlo vychladne.
	Je aktivovaná funkcia automatického vypnutia (30 minút).	Stlačením tlačidla bubliny sa znovu aktivuje
	Porucha čerpacej jednotky	Ak sa neresetuje, zavolajte servis
Filtrácia vody nefunguje	Filter je znečistený	Vyčistite alebo vymeňte filter (pozri kapitola – Čistenie).
	Zablokovaný vstup a výstup	Vyčistite vstupný a výstupný otvor
	Vzduch vnútri čerpadla	Naplňte vodu na minimálnu hladinu
	Porucha čerpacej jednotky	Ak sa neresetuje, zavolajte servis
Netesnosť čerpadla	Nesprávne tesnenie adaptéra	Vymeňte tesnenie v správnej polohe
	Únik vody z telesa čerpadla	Skontrolujte teleso čerpadla, zavolajte servis
Únik vody	Vírivka je roztrhnutá alebo prepichnutá	Použite dodanú opravnú sadu (pozri kapitola – Opravná sada).
Voda nie je čistá	Nedostatočná doba filtrovania	Predĺženie doby filtrovania
	Filter je znečistený	Vyčistite alebo vymeňte filter (pozri kapitola – Čistenie).
	Kvalita vody vo vírivke	Úplne vymeňte vodu
	Nesprávna úprava vody	Pozri pokyny výrobcu chemickej látky
CHG FIL	Po 150 kumulatívnych hodinách filtrácie sa ozve zvukový signál a na displeji LCD sa zobrazia znaky CHG a následne FIL, ktoré vám pripomenú výmenu alebo vyčistenie filtra. Podržaním tlačidla filtrácie na 5 sekúnd sa zvukový signál vypne. Filtračný systém sa vypne, stlačením tlačidla môžete filtračný systém opäť aktivovať.	

Chybové kódy

Ak sa na obrazovke zobrazí chybový kód „Ex“, postupujte podľa nasledovnej tabuľky.

Kód	Situácia	Problém	Príčina	Riešenie
E1	Nevyhrieva sa správne.	Zlý snímač regulácie teploty.	Skrat alebo rozpojenie snímača regulácie teploty.	Kontaktujte servisné stredisko.
E3	Nevyhrieva sa správne.	Indikátor vysokej teploty vody.	5. Naplnená voda má teplotu vyššiu než 45 °C. 6. Filtračná patróna bola nasadená na nevhodné sacie skrutky.	5. Vypnite napájanie a uistite sa, že voda má teplotu medzi 2 °C~44 °C. Ak to problém nevyrieši, postupujte podľa nižšie uvedeného rámčeka. 6. Nasadte filter na spodné sacie skrutky.
E4	Všetky funkcie nefungujú, bzučanie je známka varovania.	Indikátor nízkej teploty vody.	Voda má teplotu nižšiu než 2 °C.	<ul style="list-style-type: none">• Vypnite napájanie, uistite sa, že voda má teplotu medzi 2 °C~44 °C (36 °F~111 °F).
E5	Všetky funkcie nefungujú, bzučanie je známka varovania.	Indikátor vysokej teploty vody.	Naplňená voda má teplotu vyššiu než 50 °C.	<ul style="list-style-type: none">• Odpojte napájanie a obráťte sa na kvalifikovaného elektrikára, aby resetoval tepelnú poistku opísanú v nasledujúcom odseku.
E6	Nesprávne ohrievanie a filtrovanie. Bzučanie je známka varovania.	Tlak vody nie je dostatočne veľký na aktiváciu ohrevu.	<ul style="list-style-type: none">• Prívod či odvod na vnútornej stenne je zablokovaný.• Filter je znečistený.• Voda nedosahuje minimálnu hladinu.• Nevypúšťajte vzduch z čerpadla.	<ul style="list-style-type: none">• Čistý vstup a výstup.• Vyčistite alebo vymeňte filter.• Pridajte vodu, aby ste dosiahli hladinu vody• Znova vykonajte uvoľnenie vzduchu, ako je popísané.

Chybové kódy E3, E4, E5, E6

Odpojte na 5 minút elektrický prúd a znovu ho pripojte.

Ak sa v kontrolnom okienku stále zobrazuje chybový kód, vykonajte nasledujúce pokyny.

- Skontrolujte, či je vodná línia medzi hornou a dolnou medzou.
- Vyčistite alebo vymeňte filter.
- Odskrutkujte a vyčistite 2 trysky (vstup a výstup vody) vnútri vírivky a v prípade potreby odstráňte odpad (chlípky, chlpy, srst, kožu...).
- Skontrolujte, či vrtuľa filtračného čerpadla neobsahuje cudzie telesá.
- Znovu vírivku na 5 minút odpojte od elektriny a znova pripojte. Ak sa na ovládacom paneli stále zobrazuje chybový kód, obráťte sa na servisné stredisko.

Záručné podmienky

Na nový výrobok zakúpený v predajnej sieti Alza.sk sa vzťahuje záruka 2 roky. V prípade potreby opravy alebo iného servisu v záručnej dobe sa obráťte priamo na predajcu výrobku. Je nutné predložiť originálny doklad o kúpe s dátumom nákupu.

Za rozpor so záručnými podmienkami, pre ktorý nemožno reklamáciu uznať, sa považujú nasledujúce skutočnosti:

- Používanie produktu na akýkoľvek iný účel, než na ktorý je určený, alebo nedodržanie pokynov na údržbu, prevádzku a servis produktu.
- Poškodenie produktu živelnou pohromou, zásahom neoprávnenej osoby alebo mechanicky zavinením kupujúceho (napr. pri preprave, čistení nevhodnými prostriedkami atď.).
- Prirodzené opotrebovanie a starnutie spotrebného materiálu alebo súčastí počas používania (ako sú batérie atď.).
- Vystavenie nepriaznivým vonkajším vplyvom, ako je slnečné svetlo a iné žiarenie alebo elektromagnetické pole, vniknutie tekutín, vniknutie predmetov, prepätia do siete, napätie elektrostatického výboja (vrátane blesku), chybné napájacie alebo vstupné napätie a neprimeraná polarita tohto napätia, chemické procesy, ako napr. použité napájacie zdroje atď.
- Ak niekto vykonal úpravy, modifikácie, zmeny konštrukcie alebo adaptácie na účely zmeny alebo rozšírenia funkcií výrobku oproti zakúpenej konštrukcii alebo použitie neoriginálnych súčastí.

EÚ vyhlásenie o zhode

Identifikačné údaje dovozcu:

Dovozca: Alza.cz a.s.

Registrované sídlo: Jankovcova 1522/53, Holešovice, 170 00 Praha 7

IČO: 27082440

Predmet vyhlásenia:

Názov: Vírivka

Model/typ: 17660XX

Vyššie uvedený výrobok bol testovaný v súlade s normou (normami) použitou (použitými) na preukázanie zhody so základnými požiadavkami stanovenými v smernici (smerniciach):

Smernica č. (EÚ) 2014/53/EÚ

Smernica č. (EÚ) 2011/65/EÚ v znení 2015/863/EÚ

Praha, 26.06.2021



WEEE

Tento produkt sa nemôže likvidovať ako bežný domáci odpad v súlade so smernicou EÚ o likvidácii elektrických a elektronických zariadení (WEEE - 2012/19/EÚ). Namiesto toho musí byť vrátený v mieste zakúpenia, alebo odovzdaný vo verejnej zberni recyklovateľného odpadu. Správnou likvidáciou prístroja pomôžete zachovať prírodné zdroje a napomáhate prevencii potenciálnych negatívnych dopadov na životné prostredie a ľudské zdravie. Ďalšie podrobnosti si vyžiadajte od miestneho úradu, alebo najbližšieho zberného miesta. Pri nesprávnej likvidácii tohto druhu odpadu môžu byť v súlade s národnými predpismi udelené pokuty.



A termék felhasználói kézikönyve tartalmazza a termék jellemzőit, a használat módját és az üzemeltetési eljárást. Olvassa el figyelmesen a felhasználói kézikönyvet a legjobb élmény érdekében, és a felesleges károk elkerülése érdekében. Tartsa meg ezt a kézikönyvet a későbbi használatra. Ha bármilyen kérdése vagy észrevétele van a készülékkel kapcsolatban, kérjük, forduljon az ügyfélvonalhoz.

✉ www.alza.hu/kapcsolat

☎ +36-1-701-1111

Importőr Alza.cz a.s., Jankovcova 1522/53, Holešovice, 170 00 Prága 7, www.alza.cz

Figyelmeztetés

OLVASSA EL A JELEN KÉZIKÖNYVBEN TALÁLHATÓ ÖSSZES UTASÍTÁST ÉS BIZTONSÁGI FIGYELMEZTETÉST.

A jelen kézikönyvben található figyelmeztetések és utasítások figyelmen kívül hagyása súlyos sérülést, fulladást vagy áramütést okozhat.

Gyermekei biztonsága az Ön kezében van! A kockázat az 5 év alatti gyermekek esetében a legnagyobb. Legyen mindig fokozottan éber.

Mindig tartsa be a következő utasításokat:

- A gyermekeket szoros és folyamatos felügyelet alatt kell tartani;
- Jelöljön ki egy biztonsági felelőst;
- Mindig jelöljön ki egy felelős személyt a medence és a medence területének kezelésére;
- A felnőttek felügyeletének mindig a medencét használók számához kell igazodnia;
- A vízbe lépés előtt nedvesítse be a tarkóját, a mellkasát és a lábát;
- Tanulja meg a biztonsági gesztusokat és különösen a gyermekekre vonatkozó sajátosságokat;
- Tilos a búvárkodás és az ugrás;
- Tilos a medence körüli futkározás, csobbanó játékok;
- Ne engedje, hogy felügyelet nélkül, úszni nem tudó gyermek mentőmellény nélkül használja a medencét;
- Ne hagyja felügyelet nélkül a játékosokat a medence körül és a medencében;
- A vízkezelő termékeket mindig tartsa gyermekektől elzárva.

Incidens esetén távolítsa el a sérült személyt vagy gyermeket a medencéből és a medence területéről.

Forduljon a segélyszolgálatokhoz tanácsért és útmutatásért a sérült személy vagy gyermek kezelésével kapcsolatban.

Fontos biztonsági utasítások

Az Ön és a termék biztonsága érdekében győződjön meg arról, hogy betartja az alábbi biztonsági óvintézkedéseket. Az utasítások be nem tartása súlyos sérülést, anyagi kárt vagy halált okozhat. A nem megfelelő telepítés vagy üzemeltetés esetén a garancia érvényét veszti.

Olvassa el, értse meg és kövesse az összes utasítást:

VESZÉLYES

- Véletlen vízbefulladás veszélye:
 - Rendkívüli óvatossággal kell eljárni a gyermekek illetéktelen hozzáféréseinek megakadályozása érdekében.
 - Rendszeresen ellenőrizze a medence burkolatát szivárgás, idő előtti elhasználódás, sérülés vagy a romlás jelei miatt. Soha ne használjon kopott vagy sérült fedelet: az nem nyújt olyan szintű védelmet, amely megakadályozza, hogy egy gyermek felügyelet nélkül hozzáférjen a medencéhez.
 - Minden használat után mindig zárja le a medence fedelét.
- Sérülésveszély:
 - A szívószerelvények ebben a medencében úgy vannak méretezve, hogy megfeleljenek a szivattyú által létrehozott speciális vízáramlásnak.
 - Soha ne működtesse a medencét, ha a szívószerelvények töröttek vagy hiányoznak. Soha ne cserélje ki a szívószerelvényt nem kompatibilisre.
 - Ha a tápkábel megsérül, a veszély elkerülése érdekében a gyártónak, szervizének vagy hasonlóan képzett személynek kell kicserélnie.
- Áramütés veszélye:
 - Ne engedjen semmilyen elektromos készüléket, például világítást, telefont, rádiót vagy televíziót a medence 1,5 méteres körzetében.
 - Ne használja a fürdőt, ha esik az eső, dörög vagy villámlik.

FIGYELMEZTETÉS

- Az áramütés veszélyének csökkentése érdekében ne használjon hosszabbítót, időzítőt, dugóadaptert vagy átalakító dugót a készülék elektromos hálózathoz való csatlakoztatásához; gondoskodjon megfelelően elhelyezett konnektorról.
- A medence elektromos készülékét olyan hibásáramú berendezésen (RCD) keresztül kell táplálni, amelynek névleges hibásáramú üzemi árama nem haladja meg a 10mA-t.
- A feszültség alatt álló részeket tartalmazó alkatrészeknek - kivéve a legfeljebb 12 V biztonsági kisfeszültséggel ellátott alkatrészeket - a fürdőben tartózkodók számára hozzáférhetetleneknek kell lenniük.
- Az elektromos alkatrészeket tartalmazó alkatrészeket - a távirányító eszközök kivételével - úgy kell elhelyezni vagy rögzíteni, hogy ne tudjanak a medencébe esni.

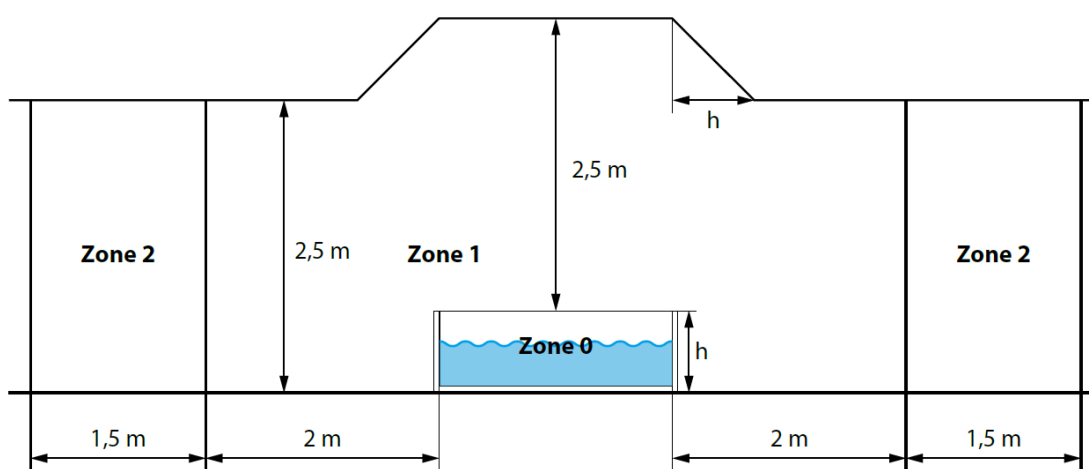
- A lakossági elektromos csatlakozódobozt biztonságosan, a fürdőtől legalább 2 m távolságra kell elhelyezni.
- Az elektromos szerelésnek meg kell felelnie a helyi követelményeknek vagy szabványoknak.
- Ezt a készüléket 8 éves és idősebb gyermekek, valamint csökkent fizikai, érzékszervi vagy szellemi képességekkel rendelkező, illetve tapasztalat és ismeretek hiányában nem rendelkező személyek is használhatják, ha felügyeletet kaptak, vagy a készülék biztonságos használatára vonatkozó utasításokat kaptak, és megértették a készülékkel járó veszélyeket. A gyermekek nem játszhatnak a készülékkel. A tisztítást és a felhasználói karbantartást gyermekek felügyelet nélkül nem végezhetik.
- A sérülésveszély csökkentése érdekében ne engedje, hogy gyermekek használják ezt a terméket, kivéve, ha állandóan szoros felügyelet alatt állnak.
- A gyermekek fulladásának kockázatát csökkentendő, mindig felügyelje a gyermekeket. Minden használat után rögzítse és zárja le a fürdőkád fedelét.
- Győződjön meg arról, hogy a padló képes elviselni a várható terhelést ($\geq 500 \text{ kg/m}^2$).
- Megfelelő lefolyórendszert kell kialakítani a fürdő körül a túlfolyó víz kezelésére.
- A sérülések elkerülése érdekében ne hagyja a készüléket hosszabb ideig üresen.
- A szivattyú károsodásának elkerülése érdekében a medencét soha nem szabad működtetni, ha a medence nincs vízzel feltöltve.
- Ha kényelmetlenül érzi magát vagy álmos, azonnal hagyja el a fürdőt.
- A sérülés kockázatának csökkentése érdekében:
 - Alacsonyabb víz hőmérséklet ajánlott kisgyermekek esetében, valamint akkor, ha a fürdő használata meghaladja a 10 percet. A hipertermia (hőstressz) kialakulásának elkerülése érdekében ajánlott, hogy a fürdő-medence vízének átlagos hőmérséklete ne haladja meg a $40 \text{ }^\circ\text{C}$ -ot.
 - Mivel a terhesség korai hónapjaiban a túlzott víz hőmérséklet nagymértékben képes magzati károsodást okozni, a terhes vagy valószínűleg terhes nőknek a fürdővíz hőmérsékletét $38 \text{ }^\circ\text{C}$ -ra ($100 \text{ }^\circ\text{F}$) kell korlátozniuk.
 - Mielőtt a felhasználó belép a medencébe vagy a pezsgőfürdőbe, pontos hőmérővel meg kell mérnie a víz hőmérsékletét, mivel a víz hőmérséklet-szabályozó berendezések tűrése változó.
 - A fürdő használata előtt vagy közben történő alkohol-, kábítószer- vagy gyógyszerfogyasztás eszméletvesztéshez és fulladáshoz vezethet.
 - Az alkohol, a kábítószer vagy a gyógyszerek használata nagymértékben megnövelheti a halálos kimenetelű hipertermia kockázatát a medencékben. A hipertermia okai és tünetei a következőképpen írhatók le: A hipertermia akkor lép fel, amikor a test belső hőmérséklete több fokkal a normál testhőmérséklet 37°C ($98,6^\circ\text{F}$) fölé emelkedik. A hipertermia tünetei közé tartozik a test belső hőmérsékletének emelkedése, szédülés, letargia, álmoság és ájulás. A hipertermia hatásai közé tartozik a hőérzékelés elmulasztása; a fürdő elhagyásának szükségességének fel nem ismerése; a fenyegető veszély tudatlansága; terhes nőknél végzetes károsodás; a fürdő elhagyásának fizikai képtelensége; és a fulladás veszélyét eredményező eszméletvesztés.

- Elhízott vagy szívbetegségben, alacsony vagy magas vérnyomásban, keringési zavarban vagy cukorbetegségben szenvedő személyeknek a medence használata előtt konzultálniuk kell orvosukkal.
- Gyógyszereket szedő személyeknek a medence használata előtt konzultálniuk kell orvosukkal, mivel egyes gyógyszerek álmoságot okozhatnak, míg más gyógyszerek befolyásolhatják a szívritmust, a vérnyomást és a keringést.
- Használat előtt kérdezze meg orvosát, ha terhes, cukorbeteg, rossz egészségi állapotban van, vagy orvosi kezelés alatt áll.
- Fertőző betegségben szenvedő személyek nem használhatnak medencét vagy pezsgőfürdőt.
- A sérülések elkerülése érdekében legyen óvatos, amikor belép a medencébe vagy a pezsgőfürdőbe, illetve a meglévő kádba.
- A 40°C (104°F) feletti víz hőmérséklet káros lehet az egészségre.
- Soha ne használja egyedül a medencét vagy a pezsgőfürdőt, és ne engedje, hogy mások egyedül használják.
- Ne használja a medencét vagy a pezsgőfürdőt közvetlenül megerőltető testmozgás után.
- Ne tegye a fürdőt 4 °C (39 °F) alá, hogy elkerülje a befagyást, ha még van víz a medencében.
- Ne kapcsolja be a fürdőt, ha a víz befagyott.
- Soha ne öntsön 40 °C-nál (104 °F) magasabb hőmérsékletű vizet közvetlenül a medencébe.
- A termék eltávolítása, tisztítása, karbantartása vagy bármilyen beállítás elvégzése előtt mindig húzza ki a készüléket a konnektorból.
- Soha ne ugorjon vagy merüljön fürdőbe, vagy bármilyen sekély vízbe.
- Ne ássa be az elektromos kábelt. Helyezze a kábelt olyan helyre, ahol a fűnyírók, sövénynyírók és egyéb berendezések nem tudják megsérteni.
- Ne próbálja meg bedugni vagy kihúzni a készüléket, ha vízben áll, vagy ha vizes a keze.
- Ne használja a medencét, ha a szállítás során megsérült és/vagy bármilyen módon meghibásodott.
- Tartsa távol a háziállatokat a medencétől, hogy elkerülje a károkat.
- Ne adjon fürdőolajat vagy fürdősót a fürdővízhez.
- Ne hagyja kint az üres medencét.
- A hőkapcsoló visszaállításának megakadályozása érdekében ezt a készüléket nem szabad külső kapcsolóeszközön, például időzítőn keresztül táplálni, vagy olyan áramkörhöz csatlakoztatni, amelyet a közmű rendszeresen be- és kikapcsol.
- A vezetékes vezérlőt megfelelően kell tárolni az oldalsó zsebben, amikor nem használják, hogy megvédjék a vezérlőt a leeséstől vagy más tényezőktől.
- A melegfürdő alkohollal, drogokkal vagy gyógyszerekkel együtt eszméletvesztést okozhat.
- Ha kényelmetlenül érzi magát, szédül vagy álmos, azonnal hagyja el a helyiséget. A fürdő hőssége hipertermia és eszméletvesztés kialakulásához vezethet.

- Kerülje, hogy a fejét mindig víz alá helyezze.
- Kerülje a fürdővíz lenyelését.

Figyelmeztetés: Lásd a következő sémát. (A telepítési előírások megfelelnek az IEC 60364-7-702 szabványnak)

A pezsgőfürdő elektromos csatlakozóit az 1, 2 jelzésű elektromos biztonsági zónákban vagy az összes biztonsági zónán kívül kell felszerelni. A mért zónákat falak és rögzített válaszfalak határolják.



MEGJEGYZÉS-A mért zónaméretek a falak és a rögzített válaszfalak korlátozzák.

Zónák	A zónák leírása
0. zóna	A 0. zóna a medence belső része, beleértve a falakban vagy a padlóban lévő mélyedéseket is.
1. zóna	Az 1. zónát a következők korlátozzák <ul style="list-style-type: none"> • 0. zóna • A medence peremétől 2 m-re lévő függőleges sík. • A padló vagy a várhatóan személyek által elfoglalt felület • A padló vagy a felszín feletti 2,5 m-es vízszintes sík.
2. zóna	A 2. zónát a következők korlátozzák <ul style="list-style-type: none"> • Az 1. zónán kívüli függőleges sík és az előbbtől 1,5 m-re lévő párhuzamos sík. • A padló vagy a személyek által elfoglalni kívánt felület által.

Műszaki adatok

Modell	17660XX
Kapacitás	4 fő
Méret (külső)	Ø 145 × 70 cm (Ø 57" × 27.6")
Méret (belső)	Ø 135 × 70 cm (Ø 53.1 " × 27.6")
Vízszint Max	40 cm
Vízkapacitás	800 L (211 gal)
Tápegység	220-240 V,50 Hz,1540W
Maximális hőfok	40°C
Vizsgálati tanúsítvány	CE / UKCA
Fűtési hatékonyság Környezeti hőmérséklet: 20°C	1,5 - 2,5°C/h

Csomaglista



Béléstest



Szivattyú-
egység



Felső borító



Földelt szövet



RCD dugó



Csavar-
kulcs



Felfújható
tömlő



Szivattyúegység
csatlakozók



Kupakok



Javító
készlet



Szűrőbetét



Szűrőbetét támogatás



Kézi szivattyú

Telepítés

FIGYELMEZTETÉS: A nem megfelelően vízszintes felületre telepített fürdők szivárgásveszélyesek, egyenetlenségeket képeznek vagy összeomlanak, ami a fürdő területén vagy annak közelében tartózkodók számára megfelelő sérülést vagy súlyos sérülést okozhat!

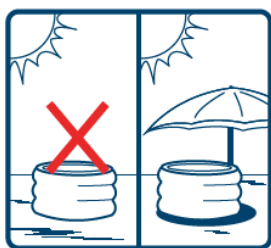
FIGYELMEZTETÉS: Kérjük, gondosan válassza ki a felállítási területet, mivel a gyep és más kívánatos növényzet a talajtakaró alatt (ha van ilyen) elpusztul. Továbbá próbálja meg elkerülni, hogy a talajtakarót agresszív növény- és gyomfajokra hajlamos területeken állítsa fel, mivel ezek átnőhetnek a talajtakarón.

A helyszín kiválasztása

FIGYELMEZTETÉS: Mielőtt megkezdéné a medence telepítését, győződjön meg arról, hogy a leendő helyszín megfelel az alábbi feltételeknek:

- Egyenletes hely, hogy elkerülhető legyen minden hiba, sérülés vagy szivárgás.
- Elég széles a medence és a szivattyúegység alátámasztásához.
- Több mint 500 kg/m² teherbírásra képes.
- Védett a naptól és a rossz időjárástól.
- Tiszta és éles tárgyaktól mentes.
- A talajon nincs agresszív növényzet.

E szabályok be nem tartása vagyoni vagy személyi sérülést okozhat.



Egy napellenzős hely



Takarítsd ki a helyet



Vízszintes hely

RCD teszt

FIGYELMEZTETÉS: A RCD dugót minden használat előtt ellenőrizni kell.

Ne használja, ha a RCD teszt sikertelen, és lásd a Hibaelhárítás fejezetet.



1. Dugja be a dugót a konnektorba.



2. Nyomja meg a "RESET" gombot, a jelzőfény pirosra vált.



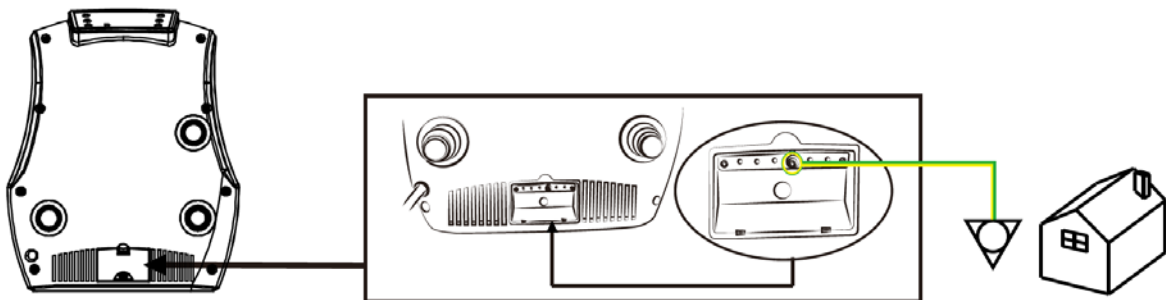
3. Nyomja meg a "TEST" gombot, a jelzőfény kialszik.



4. Nyomja meg a "RESET" gombot, a jelzőfény pirosra vált. A RCD megfelelően működik.

Földelés

Javasoljuk, hogy egy szakképzett villanyszerelő szolgáltatásait vegye igénybe, hogy biztosítsa a gyógyfürdő elektromos földelését egy legalább 2,5 mm² keresztmetszetű rézvezető segítségével.



Összeállítás



1) Hajtsa ki a felfújható medencét az alapvédő fölé.



2) A felfújás előtt szerelje be a csatlakozó csövet a medencébe.



3) Ellenőrizze a szelep belsejében lévő rugót a rugó állapotában.



4) Csatlakoztassa a felfúvótömlőt az aljzaton lévő szivattyúhoz.



5) Helyezze be a felfúvótömlőt a felfújható medencébe.



6) Csatlakoztassa a szivattyúegységet, majd nyomja meg a gombot a medence felfújásához.



7) Várjon 60 másodpercet a medence alakításra



8) pumpáljunk levegőt egy kézi szivattyúval felszerelve



9) Fejezze be a felfújást, és vegye ki a felfújó csövet.



10) Biztosítsa a szerszámok által meghúzott szelepet.



11) Csavarja a kupakot szilárdan a helyére.



12) Csatlakoztassa a készülék szivattyúját a medencéhez a 3 csavaros csatlakozó segítségével. Győződjön meg róla, hogy a szivattyún és a medencén lévő ikonok egyeznek.



13) Helyezze a szűrőbetétet a tartóba, majd csavarja rá a medencében lévő alsó szívócsőre. A patron elhelyezése a képen látható módon.



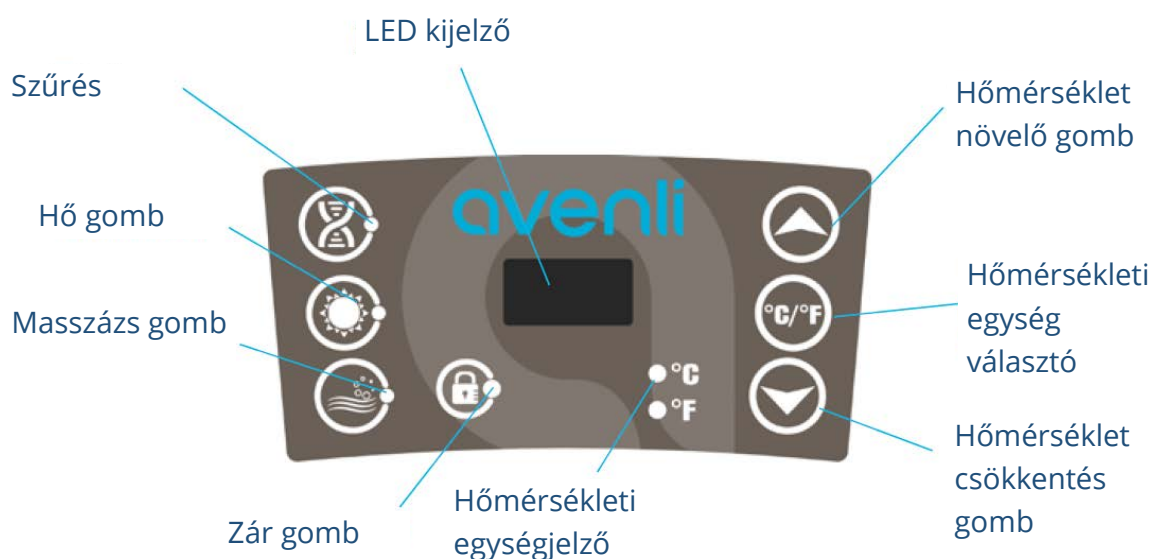
14) Győződjön meg róla, hogy a leeresztő kupakok megfelelően zárva vannak, mielőtt a fürdőt feltölti.



15) Simítsa ki a gyűrődéseket a kád aljából, majd töltsé fel a kádat a jelzett szintig. A medence készen áll.

Használat

Vezérlőpanel



Funkciók

A bekapcsolás után a LED automatikusan kijelzi az aktuális vízhőmérsékletet.



A hőmérsékleti egységek választójával a hőmérsékleti egységeket Celsius fokról Fahrenheit fokokra változtatja.



Nyomja meg a hőmérséklet-beállító gombokat, majd a képernyő villogni fog.



Amikor villog, beállíthatja a kívánt hőmérsékletet. Az érték egyszerre 1 fokkal nő vagy csökken. A hőmérsékletet 30°C és 40°C (86°F és 104°F) között lehet beállítani.



A kezelőpanel zárolásához vagy feloldásához nyomja meg a Zárolás gombot, és tartsa lenyomva 3 másodpercig.

Zárja le a kezelőpanelt, amikor Ön távol van, hogy megakadályozza, hogy mások jöjjenek és megváltoztassák a beállításokat.



Nyomja meg a masszázs gombot a buborékmasszázs rendszer aktiválásához, a zöld jelzőfény bekapcsol. Újbóli megnyomásával kikapcsolható.

Megjegyzés:

- A masszázsrendszer 30 perc működés után automatikusan leáll. A masszázsfunkciót a masszázsgomb ismételt megnyomásával aktiválja újra.
- Ha a szűrő gomb be van kapcsolva, a buborék gomb megnyomásával a szűrő üzemmódot masszázs üzemmódra váltja: a szűrő jelzőfénye kialszik, a masszázs jelzőfénye pedig bekapcsol. Ha újra megnyomja a buborék gombot, a masszázs üzemmód visszavált szűrő üzemmódra.



A vízszűrés aktiválásához nyomja meg a szűrőgombot. A szűrőrendszer aktiválásakor a zöld jelzőfény kigyullad.

Megjegyzés:

- Ha a masszázs funkció be van kapcsolva, a szűrés nem aktiválható.



Nyomja meg a fűtés gombot a vízfűtés és a szűrőrendszer egyidejű aktiválásához. A szűrő zöld jelzőfénye és a fűtés piros jelzőfénye egyszerre fog kigyulladni.

A szivattyú nem állítja le a fűtést, amíg az aktuális víz hőmérséklet el nem éri a beállított hőmérsékletet; és a fűtési rendszer automatikusan újraindul, miután az aktuális víz hőmérséklet 2°C-kal a beállított hőmérséklet alá csökken.

Maximális fűtési hőmérséklet: 40°C (104°F)

Fontos:

150 óra összesített szűrési művelet után egy hangjelzés szólal meg, és az LCD kijelzőn a CHG, majd a FIL karakterek jelennek meg, hogy emlékeztesse Önt a szűrő cseréjére vagy tisztítására. A szűrés gombot 5 másodpercig lenyomva tartva kikapcsolhatja a jelzést. A szűrőrendszer kikapcsol, a gombot megnyomva újra aktiválhatja a szűrőrendszert.

Megjegyzés:

- A fűtési rendszer indításával a szűrőrendszer együtt kezd működni.
- A fűtési rendszer kikapcsolása után a szűrőrendszer továbbra is működik.
- Ha a masszázsfunkció aktív, a szűrési és fűtési funkciók nem aktiválhatók.

Medencefedél és biztonság

Minden használat után a vezérlőpanelt le kell zárni, a medencét le kell takarni a felső burkolatával, és azt a biztonsági csatokkal az alapvédőhöz kell rögzíteni.

Minden biztonsági csat zárrendszerrel rendelkezik; zárt csat, a felfelé lévő retesz zárja a csatot, a lefelé lévő retesz oldja a csatot.

A felső fedél megtartja a víz hőjét, és biztosítja a medence biztonságát.



Karbantartás

Vízkarbantartás

FIGYELMEZTETÉS: A rossz minőségű medencevíz károsíthatja az egészséget.

A használat gyakoriságától és körülményeitől függően:

- A szűrőbetétet rendszeresen tisztítani kell (legfeljebb 150 óra).
- A szűrőbetétet 1-2 havonta kell cserélni.
- A medence vizét 15-30 naponta kell cserélni.

A víz paramétereinek ellenőrzésére a fürdő használata előtt, vagy legalább hetente egyszer használjon víztesztkészletet.

Használjon fertőtlenítő termékeket a gyógyfürdőhöz. A kezelőszereket óvatosan kell használni, és feltétlenül figyelembe kell venni a használati utasításukat.

A kezelési termékek nem megfelelő használatából eredő károokra nem terjed ki a garancia (túladagolás, sokkoló kezelés, ...).

1. Vízmérleg

A vízháztartást (pH) 7 és 7,4 között kell tartani.

2. Vízhigiénia

A medencevíz fertőtlenítéséhez aktív oxigén alapú kezelést vagy úszó adagolóba helyezett brómot javasolunk. (Az adagoló külön megvásárolható).



Szűrőbetét tisztítása és cseréje

A piszkos szűrőbetét szennyezheti a medencevizet és károsíthatja a fűtési funkciót.

1. Csavarja le a szűrőházát az óramutató járásával ellentétes irányban elforgatva. Vegye ki a szűrőbetétet a tokból.
2. Öblítse le a szűrőbetétet egy kerti tömlővel. Ha a szűrőbetét továbbra is piszkos és elszíneződött, a szűrőbetétet ki kell cserélni.
3. Tegye vissza a megtisztított szűrőbetétet a tokjába, és csavarozza a medencéhez.



Fertőtlenítés

Vízhygiénia:

A medencevíz fertőtlenítésére aktív oxigén alapú kezelést vagy úszó adagolóban elhelyezett brómot javasolunk. (Az adagoló külön kapható)

Ha a víz erősen szennyezett, ne használja a medencét.

Tisztítsa a medencét speciális UV-világító berendezéssel.

Ezt megelőzően kérjen szakmai tanácsot és útmutatást.

Figyelem!

A falakat szappannal és vízzel tisztítsa meg, majd kerti slaggal, közvetlen, erős vízszugárral alaposan öblítse le.

Vízvezetés és tárolás

Vízvezetés

- Ellenőrizze a medence alján lévő dugót és a leeresztő sapkát.
- Csavarja le a leeresztőfedelelet.
- Távolítsa el a medence alján lévő dugót. Teljesen engedje le az összes vizet a gyógymedencéből.

Miután kiürült, a medence szappannal és vízzel tisztítható.



Tárolás

- Nyomja meg a buborékoló gombot, hogy kifújja a vizet a fúvókanyílásokon belül. Húzza ki a szivattyút, vegye ki a szűrőbetétet a medence belső falából.
- Törölközővel törölje le a medencét, 24 órán keresztül szárítsa meg.
- Nyomja meg a szelepeket a medence leeresztéséhez.
- Hajtsa össze a medencét.

Javasoljuk, hogy a medencétt eredeti csomagolásában, meleg, száraz helyen tárolja.



Javító készlet

A mellékelt javítókészlettel és a medencebéléshez fenntartott ragasztóval kis lyukak vagy repedések javíthatók.

- Keresse meg a szivárgást.
- Alaposan tisztítsa meg a szivárgás környékét.
- Vágjon ki egy darabot a javítóanyagból kerek alakban, amelynek nagyobbak kell lennie, mint a sérült terület.
- Vigyen fel ragasztót a folt alsó oldalára és a javítandó terület köré.
- Helyezze a tapaszt a sérült területre, és nyomja le erősen. Hagyjon 12 órát a javítás száradására. Miután a folt megszáradt, a teljes tömítéshez vigyen fel ragasztót a széleken (száradás 4 óra).

Hibaelhárítás

Ha a légszelep megsérül vagy szivárog, kérjük, cserélje ki a szelepet a következő lépéseknek megfelelően.



A leeresztéshez nyomja le közvetlenül a szelep belsejében lévő rugót.



Használjon szerszámokat a légszelep tengelyének kicsavarásához.



Cserélje ki egy új légszelep-orsóra.



Szerszámokkal húzza meg a légszelepet.

Hibaelhárítás

Íme néhány hasznos tipp, amely segít a gyakori hibaforrások diagnosztizálásában és elhárításában.

Probléma	Ok	Megoldás
A kezelőpanel képernyője nem működik	Ellenőrizze az áramforrást	Áramkimaradás
		Állítsa vissza a RCD dugót / Ellenőrizze, hogy a vezetékrendszer alkalmazkodik-e a szivattyúegység teljesítményéhez.
		Hívjon szervizt, ha nem áll vissza
A SPA-szivattyú nem fűt megfelelően	A beállított hőmérséklet túl alacsony	Magasabb hőmérsékletre állítva
	A szűrőbetét piszkos	Tisztítsa meg vagy cserélje ki a patront (lásd a fejezetet - Tisztítás).
	Túl alacsony vízszint	Töltse fel a vizet a minimális vízszintig
	Fűtőelem hibás	Hívjon szervizt
A buborékos masszázs rendszer nem működik	A szivattyú túlmelegszik	Kapcsolja ki az áramot, és várja meg, amíg a szivattyú lehűl.
	Az automatikus kikapcsolási funkció (30 perc) aktiválva van.	Nyomja meg a buborék gombot az újraaktiváláshoz
	A szivattyúegység meghibásodása	Hívjon szervizt, ha nem áll vissza
A vízszűrés nem működik	A szűrőbetét piszkos	Tisztítsa meg vagy cserélje ki a patront (lásd a fejezetet - Tisztítás).
	Be- és kimeneti nyílás eltömődött	Tisztítsa meg a be- és kimeneti nyílást
	Levegő a szivattyú belsejében	Töltse fel a vizet a minimális vízszintig
	A szivattyúegység meghibásodása	Hívjon szervizt, ha nem áll vissza
Szivattyú szivárgás	Az adapter tömítése helytelenül	Cserélje ki a tömítést a megfelelő helyre
	Vízszivárgás a szivattyútestből	Ellenőrizze a szivattyútestet, hívjon szervizt
Spa medence szivárgás	A fürdőmedence elszakadt vagy kilyukadt	Használja a mellékelt javítókészletet (lásd a javítókészlet fejezetet).
A víz nem tiszta	Elégtelen szűrési idő	Növelje a szűrési időt
	A szűrőbetét piszkos	Tisztítsa meg vagy cserélje ki a patront (lásd a fejezetet - Tisztítás).
	Medencébe töltött víz minősége	Cserélje ki teljesen a medence vizét
	Nem megfelelő vízkezelés	Lásd a vegyszer gyártójának utasításait

CHG FIL	150 összesített órányi szűrési művelet után egy hangjelzés szólal meg, és az LCD kijelzőn a CHG, majd a FIL karakterek jelennek meg, hogy emlékeztesse Önt a szűrő cseréjére vagy tisztítására. A szűrés gombot 5 másodpercig lenyomva tartva kikapcsolhatja a zúgást. A szűrőrendszer kikapcsol, a gombot megnyomva újra aktiválhatja a szűrőrendszert.
---------	--

Hibakód

Ha a képernyőn "Ex" hibakód jelenik meg, kérjük, olvassa el az alábbi táblázatot.

Kód:	Helyzet	Probléma	Okok	Megoldások
E1	Nem fűt megfelelően.	Rossz hőmérséklet-szabályozó érzékelő.	Hőmérséklet-szabályozó érzékelő rövidzárlat vagy nyitott áramkör.	Kapcsolatfelvétel a szervizközponttal
E3	Nem fűt megfelelően.	Magas vízhőmérséklet jelző.	7. A töltött víz hőmérséklete meghaladja a 45°C-ot (113°F). 8. A szűrőbetétet rossz szívócsatlakozóra helyezték (magasabb szívócsatlakozó).	7. Kapcsolja ki az áramot, és győződjön meg arról, hogy a medence vize 2°C~44°C (36°F~111°F) között van. Ha ez nem oldja meg a problémát, olvassa el az alábbi keretes írást. 8. Helyezze a szűrőbetétet az alsó szívócsatlakozóra.
E4	Minden funkció nem működik, zümmögés figyelmeztet.	Alacsony vízhőmérséklet jelző.	A medence vize 2 °C-nál (36 °F) alacsonyabb.	<ul style="list-style-type: none"> • Kapcsolja ki az áramot, győződjön meg róla, hogy a medence vize 2°C~44°C (36°F~111°F) között van. • Ha ez nem oldja meg a problémát, olvassa el az alábbi mezőt.

E5	Minden funkció nem működik, zümmögés figyelmeztet.	Magas víz hőmérséklet jelző.	A töltött víz hőmérséklete meghaladja az 50°C-ot (122°F).	<ul style="list-style-type: none"> • Kapcsolja ki az áramot, forduljon szakképzett villanszerelőhöz a következő bekezdésben leírt hőlezárás visszaállításához. • Ha ez nem oldja meg a problémát, olvassa el az alábbi mezőt.
E6	Nem megfelelő a fűtés és a szűrés. Zümmögés figyelmeztet.	A víznyomás nem elég nagy a fűtés aktiválásához.	<ul style="list-style-type: none"> • A belső falon lévő be- vagy kimeneti nyílás el van zárva. • A szűrőbetét túl szennyezett. • A medence vize nem éri el a minimális vízszintet. • Ne engedje ki a levegőt a szivattyúból 	<ul style="list-style-type: none"> • Tiszta be- és kimeneti nyílás • Tisztítsa meg vagy cserélje ki a szűrőbetétet • Adjon hozzá vizet a vízszint eléréséhez • Végezze el újra a levegő kiengedését a vázolatok szerint • Ha ez nem oldja meg a problémát, olvassa el az alábbi mezőt.

E3, E4, E5, E6 hibakód

Kapcsolja ki az áramot 5 percre, majd kapcsolja vissza.

Ha a hibakód továbbra is megjelenik a vezérlődobozon, kérjük, hajtsa végre a következő utasításokat

- Ellenőrizze, hogy a vízvonal a felső és az alsó határértékek között van-e.
- Tisztítsa meg vagy cserélje ki a szűrőbetétet.
- Csavarja ki és tisztítsa meg a 2 fúvókát (a víz be- és kilépése) a fürdő belsejében, és szükség esetén távolítsa el a hulladékokat (neaf, szőrszálak, szörzet, bőr...).
- Ellenőrizze, hogy a szűrőszivattyú propellere nem tartalmaz-e idegen anyagot.

Vágja le ismét elektromosan a fürdőt 5 percre, és csatlakoztassa újra, ha a hibakód továbbra is megjelenik a vezérlődobozon, kérjük, forduljon a szervizközpontozhoz.

Jótállási feltételek

Az Alza.cz értékesítési hálózatában vásárolt új termékre 2 év garancia vonatkozik. Ha a garanciális időszak alatt javításra vagy egyéb szolgáltatásra van szüksége, forduljon közvetlenül a termék eladójához, a vásárlás dátumával ellátott eredeti vásárlási bizonylatot kell bemutatnia.

Az alábbiak a jótállási feltételekkel való ellentétnek minősülnek, amelyek miatt az igényelt követelés nem ismerhető el:

- A terméknek a termék rendeltetésétől eltérő célra történő használata, vagy a termék karbantartására, üzemeltetésére és szervizelésére vonatkozó utasítások be nem tartása.
- A termék természeti katasztrófa, illetéktelen személy beavatkozása vagy a vevő hibájából bekövetkezett mechanikai sérülés (pl. szállítás során, nem megfelelő eszközökkel történő tisztítás stb.).
- A fogyóeszközök vagy alkatrészek természetes elhasználódása és öregedése a használat során (pl. akkumulátorok stb.).
- Káros külső hatásoknak való kitettség, például napfény és egyéb sugárzás vagy elektromágneses mezők, folyadék behatolása, tárgyak behatolása, hálózati túlfeszültség, elektrosztatikus kisülési feszültség (beleértve a villámlást), hibás táp- vagy bemeneti feszültség és e feszültség nem megfelelő polaritása, kémiai folyamatok, például használt tápegységek stb.
- Ha valaki a termék funkcióinak megváltoztatása vagy bővítése érdekében a megvásárolt konstrukcióhoz képest módosításokat, átalakításokat, változtatásokat végzett a konstrukción vagy adaptációt végzett, vagy nem eredeti alkatrészeket használt.

EU-megfelelőségi nyilatkozat

A gyártó/importőr meghatalmazott képviselőjének azonosító adatai:

Importőr: Alza.cz a.s.

Bejegyzett székhely: Jankovcova 1522/53, Holešovice, 170 00 Prága 7

IČO: 27082440

A nyilatkozat tárgya:

Név: Pezsgőfürdő

Modell / típus: 17660XX

A fenti terméket az irányelv(ek)ben meghatározott alapvető követelményeknek való megfelelés igazolásához használt szabvány(ok)nak megfelelően vizsgálták:

(EU) 2014/53/EU irányelv

(EU) 2011/65/EU irányelv, a 2015/863/EU módosítással

Prága, 26.06.2021



WEEE

Ez a termék nem ártalmatlanítható normál háztartási hulladékként az elektromos és elektronikus berendezések hulladékairól szóló uniós irányelvnek (WEEE - 2012/19 / EU) megfelelően. Ehelyett vissza kell juttatni a vásárlás helyére, vagy át kell adni az újrahasznosítható hulladékok nyilvános gyűjtőhelyén. Azzal, hogy gondoskodik a termék megfelelő ártalmatlanításáról, segít megelőzni a környezetre és az emberi egészségre gyakorolt esetleges negatív következményeket, amelyeket egyébként a termék nem megfelelő hulladékkezelése okozhatna. További részletekért forduljon a helyi hatósághoz vagy a legközelebbi gyűjtőponthoz. Az ilyen típusú hulladék nem megfelelő ártalmatlanítása a nemzeti előírásoknak megfelelően pénzbírságot vonhat maga után.



Sehr geehrter Kunde,

vielen Dank für den Kauf unseres Produkts. Bitte lesen Sie die folgenden Anweisungen vor dem ersten Gebrauch sorgfältig durch und bewahren Sie diese Bedienungsanleitung zum späteren Nachschlagen auf. Beachten Sie insbesondere die Sicherheitshinweise. Wenn Sie Fragen oder Kommentare zum Gerät haben, wenden Sie sich bitte an den Kundenservice.

✉ www.alza.de/kontakt

☎ 0800 181 45 44

✉ www.alza.at/kontakt

☎ +43 720 815 999

Lieferant Alza.cz a.s., Jankovcova 1522/53, Holešovice, 170 00 Prag 7, www.alza.cz

Warnung

LESEN SIE ALLE ANWEISUNGEN UND SICHERHEITSHINWEISE IN DIESER ANLEITUNG.

Die Nichtbeachtung der Warnhinweise und Anweisungen in diesem Handbuch kann zu schweren Verletzungen, Ertrinken oder Stromschlag führen.

Das Risiko der Sicherheit Ihrer Kinder ist auf Ihrer Seite! Das Risiko ist bei Kindern unter 5 Jahren am höchsten. Bleiben Sie jederzeit aufmerksam.

Beachten Sie unbedingt die folgenden Hinweise:

- Kinder sollten unter stetiger und ständiger Aufsicht stehen;
- Benennen Sie eine verantwortliche Person, die für die Sicherheit sorgt;
- Bestimmen Sie eine verantwortliche Person, die den Whirlpool und seine Umgebung kontrolliert;
- Die Beaufsichtigung durch Erwachsene sollte immer der Anzahl der Personen entsprechen, die den Whirlpool benutzen;
- Befeuchten Sie den Nacken, die Brust und die Beine, bevor Sie ins Wasser gehen;
- Lernen Sie die Sicherheitsgesten und insbesondere die Besonderheiten für Kinder;
- Kein Tauchen oder Springen;
- Verbieten Sie das Laufen und Herumspritzen von Wasser;
- Erlauben Sie einem unbeaufsichtigten Kind, das nicht schwimmen kann, nicht, den Whirlpool zu benutzen, ohne Schwimmflügel zu tragen;
- Bewahren Sie Wasserpflegemittel immer außerhalb der Reichweite von Kindern auf.

Wenn es zu einem Unfall kommt, entfernen Sie die verletzte Person oder das Kind aus der Nähe des Whirlpools.

Wenden Sie sich an den Rettungsdienst, um Ratschläge für die Behandlung der verletzten Person oder des Kindes zu erhalten.

Wichtige Sicherheitshinweise

Zu Ihrer eigenen Sicherheit und der Sicherheit des Produkts beachten Sie bitte die folgenden Sicherheitshinweise. Die Nichtbeachtung der Anweisungen kann zu schweren Verletzungen, Sachschäden oder zum Tod führen. Eine unsachgemäße Installation oder Bedienung führt zum Erlöschen der Garantie.

Lesen und befolgen Sie alle Anweisungen:

GEFAHR

- Gefahr des versehentlichen Ertrinkens:
 - Es muss besonders darauf geachtet werden, dass ein unbefugter Zugriff durch Kinder verhindert wird.
 - Prüfen Sie die Abdeckung regelmäßig auf ordnungsgemäße Abdichtung, vorzeitigen Verschleiß oder Anzeichen von Beschädigungen. Verwenden Sie niemals eine abgenutzte oder beschädigte Abdeckung: Sie bietet nicht den notwendigen Schutz, um den unbeaufsichtigten Zugriff eines Kindes zu verhindern.
 - Schließen Sie die Abdeckung nach jedem Gebrauch.
- Es besteht Verletzungsgefahr:
 - Die Ansaugstutzen sind so bemessen, dass sie dem von der Pumpe erzeugten spezifischen Wasserdurchfluss entsprechen.
 - Verwenden Sie den Whirlpool niemals, wenn die Ansaugstutzen beschädigt sind oder fehlen. Ersetzen Sie niemals eine Ansaugarmatur durch eine nicht kompatible.
 - Wenn das Netzkabel beschädigt ist, muss es durch den Hersteller, seinen Kundendienst oder eine ähnlich qualifizierte Person ersetzt werden, um Gefahren zu vermeiden.
- Gefahr eines elektrischen Schlages:
 - Benutzen Sie keine elektrischen Geräte wie Lampe, Telefon, Radio oder Fernseher im Umkreis von 1,5 m um den Whirlpool.
 - Benutzen Sie den Whirlpool nicht, wenn es regnet, gewittert oder blitzt.

WARNUNG

- Um das Risiko eines Stromschlags zu verringern, verwenden Sie keine Verlängerungskabel, Zeitschaltuhren, Adapter oder Steckerumwandler, um das Produkt an die Stromversorgung anzuschließen; achten Sie auf eine richtig positionierte Steckdose.
- Das elektrische Gerät im Whirlpool sollte über einen Fehlerstromschutzschalter (RCD) mit einem Bemessungsfehlerbetriebsstrom von höchstens 10 mA versorgt werden.

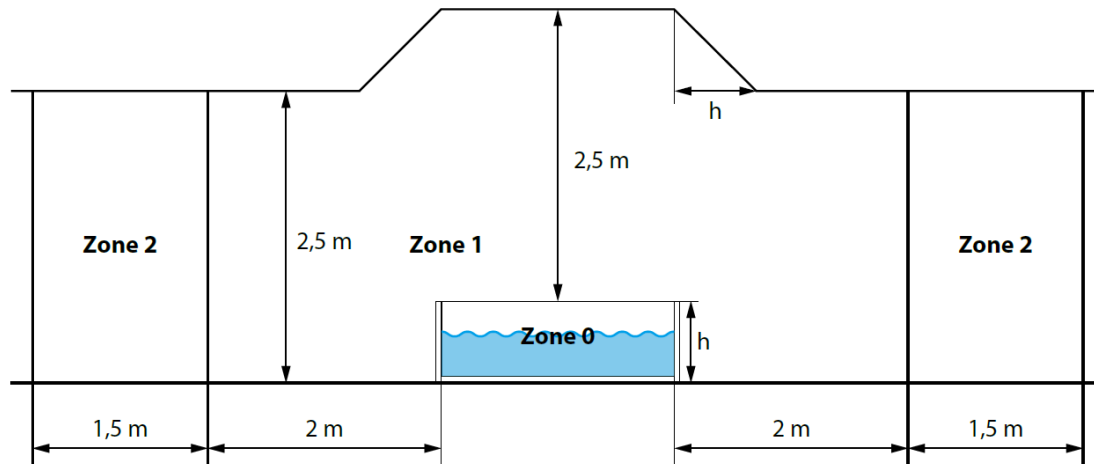
- Teile, die stromführende Teile enthalten, mit Ausnahme derjenigen, die mit einer Schutzkleinspannung von höchstens 12 V versorgt werden, müssen für Personen im Inneren des Whirlpools unzugänglich sein.
- Bauteile mit elektrischen Komponenten, mit Ausnahme von Fernbedienungen, müssen so positioniert oder befestigt werden, dass sie nicht ins Wasser fallen können.
- Der Hausanschlusskasten muss sich in einem sicheren Abstand von mindestens 2 m vom Whirlpool entfernt befinden.
- Die elektrische Installation sollte den örtlichen Anforderungen oder Normen entsprechen.
- Dieses Produkt kann von Kindern ab 8 Jahren und darüber sowie von Personen mit verringerten physischen, sensorischen oder mentalen Fähigkeiten oder Mangel an Erfahrung und Wissen benutzt werden, wenn sie beaufsichtigt werden oder bezüglich des sicheren Gebrauchs des Produktes unterwiesen wurden und die daraus resultierenden Gefahren verstehen. Kinder dürfen nicht mit dem Produkt spielen. Reinigung und Wartung dürfen von solchen Personen nicht ohne Aufsicht durchgeführt werden.
- Um die Verletzungsgefahr zu verringern, lassen Sie Kinder dieses Produkt nicht benutzen, wenn sie nicht jederzeit genau beaufsichtigt werden.
- Um das Risiko des Ertrinkens zu verringern, beaufsichtigen Sie Kinder jederzeit. Bringen Sie die Abdeckung nach jedem Gebrauch an und schließen Sie sie.
- Stellen Sie sicher, dass der Boden die zu erwartende Last tragen kann ($\geq 500 \text{ kg/m}^2$).
- Um den Whirlpool herum muss ein ausreichendes Abflusssystem vorhanden sein, um überlaufendes Wasser zu beseitigen.
- Um Schäden zu vermeiden, lassen Sie das Produkt nicht über längere Zeit leer stehen.
- Um Schäden an der Pumpe zu vermeiden, darf der Whirlpool niemals betrieben werden, wenn er nicht mit Wasser befüllt ist.
- Wenn Sie sich unwohl oder schläfrig fühlen, verlassen Sie den Whirlpool sofort.
- Verringerung des Verletzungsrisikos:
 - Niedrigere Wassertemperaturen werden für kleine Kinder und bei einer Verwendung von mehr als 10 Minuten empfohlen. Um die Möglichkeit einer Hyperthermie (Hitzestress) zu vermeiden, wird empfohlen, dass die durchschnittliche Wassertemperatur $40 \text{ }^\circ\text{C}$ nicht überschreitet.
 - Da eine zu hohe Wassertemperatur in den ersten Monaten der Schwangerschaft den Fötus schädigen kann, sollten schwangere Frauen oder Frauen, die schwanger werden könnten, die Wassertemperatur auf $38 \text{ }^\circ\text{C}$ begrenzen.
 - Vor dem Betreten des Whirlpools sollte der Benutzer die Wassertemperatur mit einem genauen Thermometer messen, da die Toleranzen der Wassertemperaturregelgeräte variieren.
 - Die Einnahme von Alkohol, Drogen oder Medikamenten vor oder während des Aufenthalts im Wasser kann zu Bewusstlosigkeit mit der Möglichkeit des Ertrinkens führen.

- Der Konsum von Alkohol, Drogen oder Medikamenten kann das Risiko einer tödlichen Hyperthermie deutlich erhöhen. Ursachen und Symptome der Hyperthermie können wie folgt beschrieben werden: Eine Hyperthermie tritt auf, wenn die innere Körpertemperatur einen Wert erreicht, der mehrere Grad über der normalen Körpertemperatur von 37 °C liegt. Zu den Symptomen der Hyperthermie gehören ein Anstieg der Körperkerntemperatur, Schwindel, Lethargie, Schläfrigkeit und Ohnmacht. Zu den Auswirkungen der Hyperthermie gehören das Nichtwahrnehmen von Wärme, das Nichtwahrnehmen der Notwendigkeit, das Wasser zu verlassen, das Nichtwahrnehmen der drohenden Gefahr, die körperliche Unfähigkeit, das Wasser zu verlassen, und die Bewusstlosigkeit, die zum Risiko des Ertrinkens führt.
- Übergewichtige Personen oder Personen mit einer Vorgeschichte von Herzerkrankungen, niedrigem oder hohem Blutdruck, Kreislaufproblemen oder Diabetes sollten vor der Anwendung einen Arzt konsultieren.
- Personen, die Medikamente einnehmen, sollten vor der Anwendung einen Arzt konsultieren, da einige Medikamente Schläfrigkeit verursachen können, während andere Medikamente die Herzfrequenz, den Blutdruck und den Kreislauf beeinflussen können.
- Konsultieren Sie vor der Anwendung einen Arzt, wenn Sie schwanger, Diabetiker, in schlechtem Gesundheitszustand oder unter medizinischer Betreuung sind.
- Personen mit ansteckenden Krankheiten sollten den Whirlpool nicht benutzen.
- Um Verletzungen zu vermeiden, seien Sie beim Betreten des Whirlpools vorsichtig.
- Wassertemperaturen über 40 °C können gesundheitsschädlich sein.
- Benutzen Sie den Whirlpool niemals allein.
- Benutzen Sie den Whirlpool nicht unmittelbar nach einem anstrengenden Training.
- Um ein Einfrieren des Whirlpools zu verhindern, stellen Sie ihn nicht in eine Umgebung mit einer Temperatur unter 4 °C, wenn sich noch Wasser im Whirlpool befindet.
- Schalten Sie den Whirlpool nicht ein, wenn das Wasser gefroren ist.
- Gießen Sie niemals Wasser mit einer höheren Temperatur als 40 °C direkt in einen Whirlpool.
- Trennen Sie das Produkt immer von der Steckdose, bevor Sie es zerlegen, reinigen, warten oder Einstellungen vornehmen.
- Springen oder tauchen Sie niemals in einen Whirlpool oder einen anderen Behälter mit flachem Wasser.
- Achten Sie darauf, nicht über das Stromkabel zu stolpern. Verlegen Sie das Kabel so, dass es nicht von Rasenmähern, Heckenscheren und anderen Geräten beschädigt wird.
- Versuchen Sie nicht, dieses Produkt anzuschließen oder anzustecken, wenn Sie im Wasser stehen oder nasse Hände haben.

- Benutzen Sie den Whirlpool nicht, wenn er bei der Lieferung beschädigt ist und/oder in irgendeiner Weise nicht richtig funktioniert.
- Um eine Beschädigung des Whirlpools zu vermeiden, lassen Sie keine Haustiere in den Whirlpool.
- Geben Sie kein Badeöl oder Badesalz in das Badewasser.
- Lassen Sie den Whirlpool nicht leer draußen stehen.
- Um ein Zurücksetzen der Thermosicherung zu verhindern, darf dieses Produkt nicht über ein externes Schaltgerät, wie z. B. eine Zeitschaltuhr, mit Strom versorgt oder an einen Stromkreis angeschlossen werden, der periodisch vom Netz ein- und ausgeschaltet wird.
- Wenn der Kabeltreiber nicht verwendet wird, muss er ordnungsgemäß in der Seitentasche aufbewahrt werden, um ihn vor Stürzen oder anderen Stößen zu schützen.
- Warmes Wasser in Verbindung mit Alkohol, Drogen oder Medikamenten kann zu Bewusstlosigkeit führen.
- Wenn Sie sich unwohl, schwindlig oder schläfrig fühlen, steigen Sie sofort aus dem Wasser. Heißes Wasser kann zu Hyperthermie und Bewusstlosigkeit führen.
- Tauchen Sie nicht mit dem Kopf unter Wasser.
- Vermeiden Sie die Einnahme von Wasser im Whirlpool.

WARNUNG: Die Schutzstufen des Produkts gegen Wasser in verschiedenen Produktzonen sind unterschiedlich, siehe folgendes Diagramm. (Installationsvorschriften entsprechen der IEC 60364-7-702)

Die elektrischen Anschlüsse des Whirlpools müssen in den mit 1, 2 gekennzeichneten elektrischen Sicherheitszonen oder außerhalb aller Sicherheitszonen installiert werden. Dosierzonen werden durch Wände und feste Trennwände begrenzt.



HINWEIS: Die Abmessungen der Messzone werden durch Wände und feste Trennwände begrenzt.

Zonen	Beschreibung der Zonen
Zone 0	Zone 0 ist der Bereich des Whirlpools einschließlich aller Aussparungen in den Wänden und im Boden.
Zone 1	Zone 1 ist beschränkt auf: <ul style="list-style-type: none"> • Zone 0 • Vertikale Ebene in einem Abstand von 2 m vom Rand des Whirlpools. • Der Boden, auf dem sich Personen bewegen sollen. • Die horizontale Ebene 2,5 m über dem Boden.
Zone 2	Zone 2 ist beschränkt auf: <ul style="list-style-type: none"> • Eine vertikale Ebene außerhalb von Zone 1 und eine parallele Ebene 1,5 m davon entfernt. • Ein Bereich, der für den Aufenthalt von Personen bestimmt ist.

Spezifikationen

Modell	17660XX
Kapazität	4 Personen
Abmessung (außen)	Ø 145 × 70 cm (Ø 57" × 27.6")
Abmessung (intern)	Ø 135 × 70 cm (Ø 53.1 " × 27.6")
Wasserstand Max	40 cm
Wassermenge	800 l (211 gal)
Leistung	220-240 V, 50 Hz, 1540 W
Maximale Wassertemperatur	40°C
Test-Zertifikat	CE / UKCA
Heizleistung Umgebungstemperatur: 20 °C	1,5 - 2,5 °C/h

Packliste



Auskleidung



Pumpeneinheit



Obere
Abdeckung



Geschliffene Matte



RCD-Stecker



Taste



Aufblasbare
Schläuche



Anschlüsse des
Pumpenaggregats



Abdeckungen



Reparatursatz



Filter



Filter-Unterstützung



Handpumpe

Installation

WARNUNG: Ein Whirlpool, der auf einer nicht ausreichend ebenen Fläche aufgestellt wird, ist anfällig für Wasserlecks. Es bilden sich Unebenheiten oder Senkungen. Dies kann regulär zu Schäden oder schweren Verletzungen von Personen in oder um den Whirlpool führen!

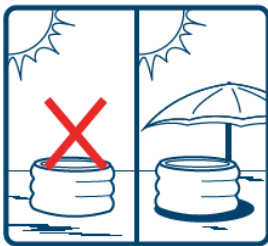
ACHTUNG: Wählen Sie den Standort Ihres Whirlpools sorgfältig aus, da der Rasen und andere wünschenswerte Vegetation unter dem Whirlpoolboden (falls vorhanden) absterben wird. Versuchen Sie außerdem zu vermeiden, das Bodentuch in Bereichen mit aggressiven Pflanzenarten und Unkraut zu platzieren, da diese durch das Bodentuch wachsen können.

Wahl des Standorts

HINWEIS: Stellen Sie vor der Installation sicher, dass der zukünftige Standort die folgenden Bedingungen erfüllt:

- Eine flache Stelle, um eine Panne zu vermeiden.
- Der Raum ist breit genug.
- Belastbarkeit mehr als 500 kg/m².
- Schutz des Standorts vor Sonne und schlechtem Wetter.
- Sauber und frei von scharfen Gegenständen.
- Keine aggressive Vegetation auf dem Boden.

Die Nichtbeachtung dieser Regeln kann zu Sach- oder Personenschäden führen.



Ein Platz mit einer Markise



Ein sauberer Ort



Ein gerader Platz

RCD-Prüfung

WARNUNG: Der RCD-Stecker muss vor jedem Gebrauch geprüft werden.

Verwenden Sie es nicht, wenn der Stromschutzschaltertest fehlschlägt und siehe Kapitel - Fehlersuche



1. stecken Sie den Stecker in die Steckdose.



2. drücken Sie die Taste "RESET", die Kontrollleuchte leuchtet rot.



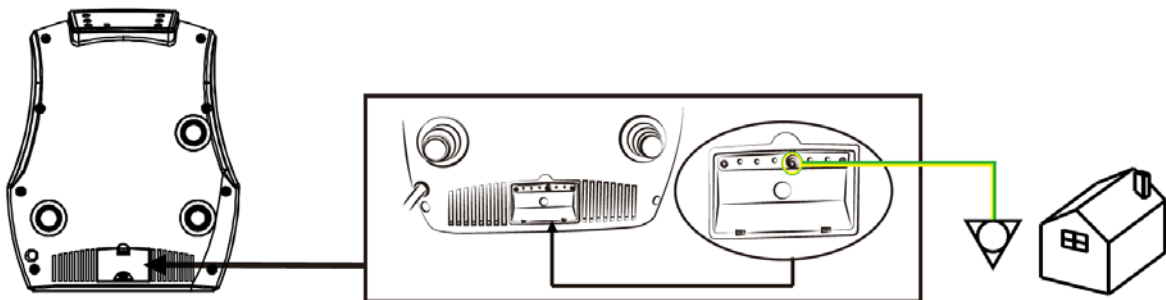
3. drücken Sie die Taste "TEST", die Kontrollleuchte erlischt.



4. drücken Sie die Taste "RESET", die Kontrollleuchte wird rot. Das RCD-Gerät arbeitet ordnungsgemäß.

Erdung

Wir empfehlen, die elektrische Erdung durch eine Elektrofachkraft durchführen zu lassen, dieser kann mit einem Kupferleiter mit einem Querschnitt von mindestens 2,5 mm² arbeiten.



Installation



1) Klappen Sie den aufblasbaren Whirlpool über den Bodenschutz aus.



2) Montieren Sie vor dem Aufpumpen des Whirlpools den Verbindungsschlauch.



3) Prüfen Sie die Feder im Inneren des Ventils in der aufrechten Position.



4) Schließen Sie den Befüllschlauch an die Pumpe in die entsprechende Steckverbindung.



5) Stecken Sie den aufblasbaren Schlauch an die entsprechende Verbindung am Whirlpool.



6) Schließen Sie die Pumpeneinheit an und drücken Sie den Aufpumpknopf.



7) Warten Sie 60 Sekunden für die Formgebung.



8) Füllen Sie die Luft mit einer Handpumpe nach.



9) Beenden Sie das Aufpumpen und entfernen Sie den Füllschlauch.



10) Prüfen Sie, ob das Ventil mit Werkzeug angezogen ist.



11) Schrauben Sie die Kappe fest auf.



12) Verbinden Sie die Pumpe mit dem Whirlpool an den Schrauben mit den 3 Anschlüssen. Achten Sie darauf, dass die Symbole an der Pumpe und am Whirlpool übereinstimmen.



13) Setzen Sie den Filter in die Halterung ein und schrauben Sie dann den unteren Einlass im Inneren des Whirlpools an. Positionieren Sie wie abgebildet.



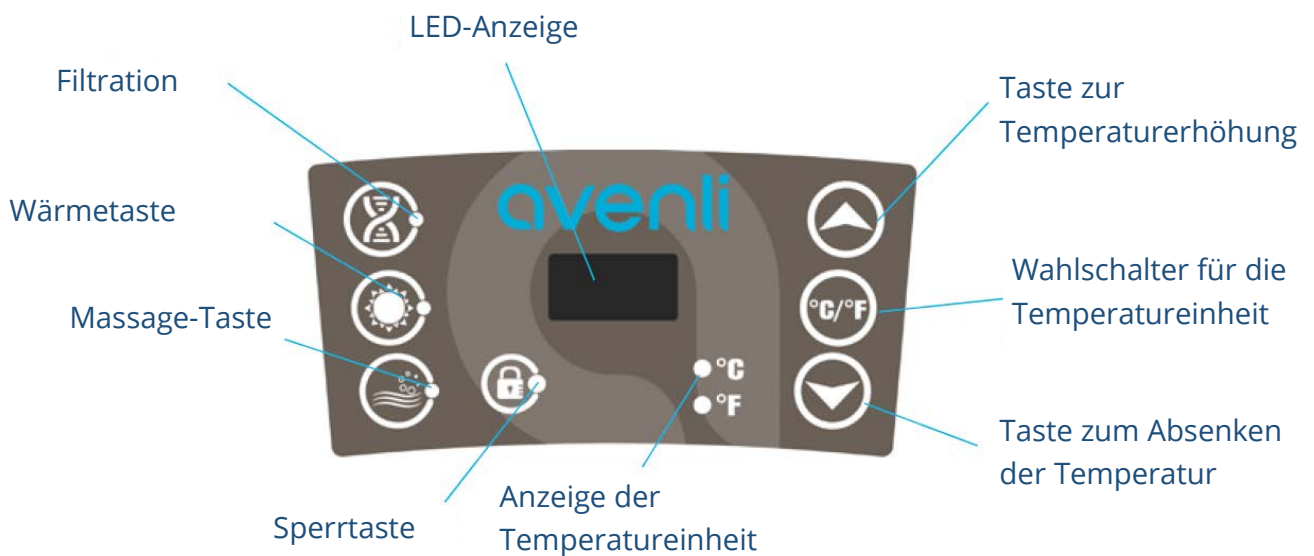
14) Vergewissern Sie sich vor dem Befüllen des Whirlpools, dass die Ablasstopfen richtig geschlossen sind.



15) Glätten Sie die Falten im Boden und füllen Sie den Whirlpool dann bis zum angegebenen Niveau. Ihr Whirlpool ist bereit.

Verwenden Sie .

Bedienfeld



Funktionen

Nach dem Einschalten zeigt das LED-Display automatisch die aktuelle Wassertemperatur an.



Der Wähler für die Temperatureinheit ändert die Temperatureinheiten von Grad Celsius auf Grad Fahrenheit.



Tasten zur Temperatureinstellung, dann beginnt die Anzeige zu blinken. Wenn sie blinkt, können Sie die gewünschte Temperatur einstellen. Der Wert wird jeweils um 1 Grad erhöht oder verringert. Die Temperatur kann zwischen 30 °C und 40 °C eingestellt werden.



Um das Bedienfeld zu sperren oder zu entsperren, drücken Sie die Taste Lock für 3 Sekunden.

Sperren Sie das Bedienfeld, wenn Sie abwesend sind, um zu verhindern, dass andere die Einstellungen ändern.



Drücken Sie die Massagetaste, um das Sprudelmassagesystem zu aktivieren, das grüne Licht leuchtet auf. Zum Ausschalten erneut drücken.

Bemerkung:

- Das Massagesystem stoppt automatisch nach 30 Minuten Betrieb. Reaktivieren Sie die Massagefunktion durch erneutes Drücken der Massagetaste.
- Wenn die Filtertaste eingeschaltet ist, wird durch Drücken der Blasentaste der Filtermodus in den Massagemodus umgeschaltet: Das Filterlicht geht aus und das Massagelicht leuchtet auf. Wenn die Blasentaste erneut gedrückt wird, wechselt der Massagemodus wieder in den Filtermodus.



Drücken Sie die Filtertaste, um die Wasserfiltration zu aktivieren. Wenn das Filtersystem aktiviert ist, leuchtet das grüne Licht auf.

Bemerkung:

- Wenn die Massagefunktion eingeschaltet ist, kann die Filtration nicht aktiviert werden.



Drücken Sie die Heizungstaste, um die Wasserheizung und das Filtersystem gleichzeitig zu aktivieren. Die grüne Filterleuchte und die rote Heizungsleuchte leuchten gleichzeitig.

Die Pumpe hört erst auf zu heizen, wenn die aktuelle Wassertemperatur die eingestellte Temperatur erreicht; und das Heizsystem startet automatisch neu, wenn die aktuelle Wassertemperatur 2 °C unter die eingestellte Temperatur fällt.

Maximale Heiztemperatur: 40 °C

Wichtig:

Nach 150 kumulativen Filterstunden ertönt ein akustisches Signal und die Zeichen CHG und dann FIL erscheinen auf dem LCD-Display, um Sie darauf hinzuweisen, dass der Filter ausgetauscht oder gereinigt werden muss. Halten Sie die Filtertaste 5 Sekunden lang gedrückt, und der Signalton wird ausgeschaltet. Das Filtersystem ist ausgeschaltet, durch Drücken der Taste können Sie das Filtersystem wieder aktivieren.

Bemerkung:

- Sobald die Heizungsanlage gestartet wird, beginnt das Filtersystem zu arbeiten.
- Nach dem Abschalten der Heizungsanlage arbeitet die Filteranlage weiter.
- Wenn die Massagefunktion aktiv ist, können die Filter- und Heizfunktionen nicht aktiviert werden.

Abdecken und Sichern des Whirlpools

Nach jedem Gebrauch muss das Bedienfeld verriegelt und der Whirlpool mit der oberen Abdeckung abgedeckt werden, die mit Sicherheitsclips am Bodenschutz befestigt werden muss.

Jede Sicherheitsschnalle hat ein Verriegelungssystem; Schnalle geschlossen, Riegel in der oberen Position verriegelt die Schnalle, Riegel in der unteren Position entriegelt die Schnalle.

Die obere Abdeckung hält das Wasser warm und schützt den Whirlpool.



Wartung

Wasserpflege

WARNUNG: Schlechte Wasserqualität kann Ihre Gesundheit schädigen.

Je nach Häufigkeit und Bedingungen der Nutzung:

- Der Filter sollte regelmäßig gereinigt werden (max. 150 Stunden).
- Der Filter sollte alle 1 bis 2 Monate gewechselt werden.
- Das Wasser im Whirlpool sollte alle 15 bis 30 Tage gewechselt werden.

Prüfen Sie vor der Benutzung des Whirlpools oder mindestens einmal pro Woche die Wasserparameter mit einem Wassertestkit.

Verwenden Sie Desinfektionsmittel. Die Behandlungsprodukte sollten mit Sorgfalt verwendet und die Anweisungen befolgt werden.

Schäden, die durch unsachgemäßen Gebrauch von Medizinprodukten entstehen, sind nicht von der Garantie abgedeckt (Überdosierung, Schockbehandlung usw.).

1. Wasserhaushalt

Der Wasserhaushalt (pH) muss zwischen 7 und 7,4 gehalten werden.

Wasserdesinfektion

Wir empfehlen die Verwendung eines Produkts auf Aktivsauerstoff- oder Brombasis in einem schwimmenden Spender, um das Wasser zu desinfizieren. (Der Spender ist separat erhältlich).



Reinigung und Wechsel der Filterpatrone

Eine verschmutzte Filterpatrone kann das Wasser im Whirlpool verunreinigen und die Heizfunktion beeinträchtigen.

4. Schrauben Sie das Filtergehäuse ab, indem Sie es gegen den Uhrzeigersinn drehen. Nehmen Sie den Filter aus dem Gehäuse.
5. Spülen Sie den Filter mit einem Gartenschlauch aus. Wenn er verschmutzt und verfärbt bleibt, sollte er ausgetauscht werden.
6. Setzen Sie den gereinigten Filter wieder in das Gehäuse ein und verschrauben Sie ihn mit dem Whirlpool.



Desinfektion

Wasserhygiene:

Wir empfehlen die Verwendung eines Produkts auf Aktivsauerstoff- oder Brombasis in einem schwimmenden Spender zur Desinfektion des Wassers. (Spender separat erhältlich)

Wenn das Wasser stark verschmutzt ist, sollten Sie den Whirlpool nicht benutzen.

Reinigen Sie den Whirlpool mit einem speziellen Gerät mit UV-Beleuchtung.

Holen Sie sich vorher professionellen Rat und Anleitung ein.

Achtung:

Reinigungsmittel und gelöste Feststoffe von Badeanzügen und Chemikalien können sich an den Wänden des Whirlpools ablagern. Reinigen Sie die Wände mit Seife und Wasser und spülen Sie sie gründlich mit einem Gartenschlauch mit einem direkten starken Wasserstrahl ab.

Entwässerung und Lagerung

Entwässerung

- Überprüfen Sie den Stopfen am Boden des Whirlpools und den Ablassstopfen.
- Schrauben Sie die Ablassschraube ab.
- Entfernen Sie den Stopfen am Boden des Whirlpools. Lassen Sie das Wasser vollständig ab.

Nach dem Entleeren kann er mit Wasser und Seife gereinigt werden.



Lagerung

- Drücken Sie die Blasen-taste, um das Wasser aus den Düsenlöchern zu blasen. Trennen Sie die Pumpe und entfernen Sie den Filter von der Innenwand des Whirlpools.
- Wischen Sie den Whirlpool mit einem Handtuch ab und lassen Sie ihn 24 Stunden lang trocknen.
- Drücken Sie die Ventile, um den Whirlpool zu entleeren.
- Sie können den Whirlpool zusammenklappen.

Es wird empfohlen, den Whirlpool in der Originalverpackung an einem warmen und trockenen Ort zu lagern.



Reparatursatz

Kleine Löcher oder Einstiche können mit dem mitgelieferten Reparatursatz und Klebstoff repariert werden.

- Finden Sie das Leck.
- Reinigen Sie den Bereich um das Leck gründlich.
- Schneiden Sie ein Stück Reparaturmaterial in einer kreisförmigen Form zu, die größer sein sollte als die beschädigte Stelle.
- Tragen Sie Klebstoff auf die Unterseite des Flickens und um den zu reparierenden Bereich herum auf.
- Bringen Sie das Pflaster auf der beschädigten Stelle an und drücken Sie es fest. Lassen Sie das Pflaster 12 Stunden lang trocknen. Sobald der Flicker getrocknet ist, tragen Sie Kleber um die Kanten herum auf, um eine vollständige Abdichtung zu gewährleisten (4 Stunden Trocknungszeit).

Fehlersuche

Wenn das Ventil beschädigt wird oder Luft austritt, tauschen Sie das Ventil gemäß den folgenden Anweisungen aus.



Drücken Sie direkt auf die Feder im Inneren des Ventils, um es zu entleeren.



Schrauben Sie die Spindel des Luftventils mit einem Werkzeug heraus.



Setzen Sie die neue Luftventilspindel ein.



Ziehen Sie das Luftventil mit Werkzeug an.

Fehlersuche

Hier sind einige nützliche Tipps, die Ihnen helfen, häufige Probleme zu diagnostizieren und zu beheben.

Das Problem	Ursache	Lösung
Das Display des Bedienfelds funktioniert nicht	Prüfen Sie die Spannungsversorgung	Stromausfall
		Setzen Sie den RCD-Stecker zurück / Prüfen Sie, ob die Verkabelung an die Leistung des Pumpenaggregats angepasst ist.
		Wenn es sich nicht zurücksetzt, rufen Sie den Service an
Pumpe heizt nicht richtig	Die eingestellte Temperatur ist zu niedrig	Stellen Sie eine höhere Temperatur ein
	Der Filter ist verschmutzt	Reinigen oder ersetzen Sie den Filter (siehe Kapitel - Reinigung).
	Wasserstand zu niedrig	Füllen Sie das Wasser auf den Mindeststand
Das Sprudelmassagesystem funktioniert nicht	Defektes Heizelement	Anfrage für Service
	Die Pumpe ist überhitzt	Schalten Sie den Strom aus und warten Sie, bis die Pumpe abgekühlt ist.
	Die automatische Abschaltfunktion ist aktiviert (30 Minuten).	Das Drücken der Blasetaste reaktiviert dies

	Ausfall der Pumpeneinheit	Wenn es sich nicht zurücksetzt, rufen Sie den Service an
Wasserfiltration funktioniert nicht	Der Filter ist verschmutzt	Reinigen oder ersetzen Sie den Filter (siehe Kapitel - Reinigung).
	Blockierter Eingang und Ausgang	Reinigen Sie den Einlass und den Auslass
	Luft in der Pumpe	Füllen Sie das Wasser auf den Mindeststand
	Ausfall der Pumpeneinheit	Wenn es sich nicht zurücksetzt, rufen Sie den Service an
Leck an der Pumpe	Falsche Adapterdichtung	Ersetzen Sie die Dichtung an der richtigen Stelle
	Wasseraustritt aus dem Pumpengehäuse	Pumpenkörper prüfen, Service anfordern
Wasseraustritt	Der Whirlpool ist gerissen oder durchlöchert	Verwenden Sie den mitgelieferten Reparatursatz (siehe Kapitel - Reparatursatz).
Das Wasser ist nicht sauber	Unzureichende Filterzeit	Filterzeit verlängern
	Der Filter ist verschmutzt	Reinigen oder ersetzen Sie den Filter (siehe Kapitel - Reinigung).
	Wasserqualität im Whirlpool	Wechseln Sie das Wasser vollständig
	Unsachgemäße Wasseraufbereitung	Siehe die Anweisungen des Chemikalienherstellers
CHG FIL	Nach 150 kumulativen Filterstunden ertönt ein akustisches Signal und die Zeichen CHG und dann FIL erscheinen auf dem LCD-Display, um Sie daran zu erinnern, den Filter zu wechseln oder zu reinigen. Wenn Sie die Filtertaste 5 Sekunden lang gedrückt halten, wird der Signalton ausgeschaltet. Das Filtersystem ist ausgeschaltet, drücken Sie die Taste, um das Filtersystem wieder zu aktivieren.	

Fehlercodes

Wenn der Fehlercode "Ex" auf dem Bildschirm erscheint, folgen Sie der nachstehenden Tabelle.

Code	Situation	Das Problem	Ursache	Lösung
E1	Es heizt nicht richtig auf.	Schlechter Temperaturregelungssensor.	Kurzschluss oder Unterbrechung des Temperaturregelungssensors.	Wenden Sie sich an die Servicestelle.
E3	Es heizt nicht richtig auf.	Anzeige für zu hohe Wassertemperatur.	<p>9. Das eingefüllte Wasser hat eine Temperatur von mehr als 45 °C.</p> <p>10. Die Filterpatrone wurde an den falschen Ansaugschrauben montiert.</p>	<p>9. Schalten Sie den Strom aus und stellen Sie sicher, dass die Wassertemperatur zwischen 2°C~44°C liegt. Wenn das Problem dadurch nicht behoben wird, folgen Sie dem unten stehenden Kasten.</p> <p>10. Setzen Sie den Filter auf die unteren Ansaugschrauben.</p>
E4	Alle Funktionen funktionieren nicht, das Brummen ist ein Warnzeichen.	Anzeige für zu niedrige Wassertemperatur.	Die Wassertemperatur liegt unter 2 °C.	<ul style="list-style-type: none"> Schalten Sie das Gerät aus und stellen Sie sicher, dass die Wassertemperatur zwischen 2°C~44°C (36°F~111°F) liegt.
E5	Alle Funktionen funktionieren nicht, das	Anzeige für zu hohe Wassertemperatur.	Das eingefüllte Wasser hat eine Temperatur von mehr als 50 °C.	<ul style="list-style-type: none"> Trennen Sie die Spannungsversorgung und wenden Sie sich an einen

	Brummen ist ein Warnzeichen.			qualifizierten Elektriker, um die im folgenden Abschnitt beschriebene Thermosicherung zurückzusetzen.
E6	Unsachgemäße Heizung und Filterung. Brummen ist ein Warnzeichen.	Der Wasserdruck ist nicht hoch genug, um die Heizung zu aktivieren.	<ul style="list-style-type: none"> • Der Einlass oder Auslass an der Innenwand ist blockiert. • Der Filter ist verschmutzt. • Das Wasser erreicht nicht den Mindeststand. • Entlüften Sie die Pumpe nicht. 	<ul style="list-style-type: none"> • Sauberer Eingang und Ausgang • Reinigen oder ersetzen Sie den Filter • Wasser hinzufügen, um den Wasserstand zu erreichen • Führen Sie die Entlüftung erneut wie beschrieben durch.

Fehlercodes E3, E4, E5, E6

Trennen Sie das Gerät für 5 Minuten von der Stromversorgung und schließen Sie es wieder an.

Wenn der Fehlercode immer noch im Kontrollfenster angezeigt wird, folgen Sie diesen Anweisungen.

- Prüfen Sie, ob die Wasserlinie zwischen dem oberen und unteren Grenzwert liegt.
- Reinigen oder ersetzen Sie den Filter.
- Schrauben Sie die 2 Düsen (Wassereinlass und -auslass) im Inneren des Whirlpools ab und reinigen Sie sie, und entfernen Sie ggf. Abfälle (Haare, Fell, Haut...).
- Prüfen Sie, ob der Propeller der Filterpumpe frei von Fremdkörpern ist.
- Trennen Sie den Whirlpool für 5 Minuten vom Strom und schließen Sie ihn wieder an. Wenn der Fehlercode immer noch auf dem Bedienfeld angezeigt wird, wenden Sie sich an das Servicezentrum.

Gewährleistungsbedingungen

Für ein neues Produkt, das bei Alza gekauft wurde, gilt eine 2-jährige Garantie. Im Falle der Notwendigkeit einer Reparatur oder eines anderen Services innerhalb der Garantiezeit wenden Sie sich bitte direkt an den Verkäufer des Produkts, es ist notwendig, den Originalkaufbeleg mit dem Kaufdatum vorzulegen.

Als Garantieverstoß, für den die Reklamation nicht anerkannt werden kann, gilt Folgendes:

- Verwendung des Produkts für einen anderen als den vorgesehenen Zweck oder Nichtbeachtung der Anweisungen für Wartung, Betrieb und Instandhaltung des Produkts.
- Beschädigung des Produkts durch Naturkatastrophen, unbefugte Personen oder mechanisches Verschulden des Käufers (z.B. beim Transport, unsachgemäße Reinigung etc.).
- natürliche Abnutzung und Alterung von Verbrauchsmaterialien oder Komponenten während des Gebrauchs (z. B. Batterien usw.).
- Einwirkung schädlicher äußerer Einflüsse, wie z. B. Sonnen- und andere Strahlung oder elektromagnetische Felder, Eindringen von Flüssigkeiten, Eindringen von Gegenständen, Netzüberspannungen, elektrostatische Entladungen (auch Blitzschlag), fehlerhafte Versorgungs- oder Eingangsspannung und deren falsche Polarität, chemische Prozesse, z. B. verbrauchte Netzteile, etc.
- Wenn jemand Modifikationen, Konstruktionsänderungen oder Anpassungen vorgenommen hat, um die Funktionen des Produkts gegenüber der gekauften Ausführung zu verändern oder zu erweitern, oder Nicht-Originalteile verwendet hat.

EU-Konformitätserklärung

Angaben zur Identifikation des Bevollmächtigten des Herstellers/Importeurs:

Importeur: Alza.cz a.s.

Sitz der Gesellschaft: 1522/53 Jankovcova Straße, Holešovice, 170 00 Prag 7.

ID-Nummer: 27082440

Gegenstand der Erklärung:

Name. Whirlpool

Modell/Typ: 17660XX

Das oben genannte Produkt wurde in Übereinstimmung mit der/den Norm(en) geprüft, mit der/denen die Einhaltung der in der/den Richtlinie(n) festgelegten grundlegenden Anforderungen nachgewiesen wurde:

Richtlinie (EU) 2014/53/EU

Richtlinie Nr. (EU) 2011/65/EU, geändert durch 2015/863/EU

Prag, 26.06.2021



WEEE

Dieses Produkt darf gemäß der EU-Richtlinie über Elektro- und Elektronik-Altgeräte (WEEE - 2012/19/EU) nicht über den normalen Hausmüll entsorgt werden. Stattdessen muss es an den Ort des Kaufs zurückgebracht oder zu einer öffentlichen Wertstoffsammelstelle gebracht werden. Indem Sie sicherstellen, dass dieses Produkt ordnungsgemäß entsorgt wird, tragen Sie dazu bei, mögliche negative Folgen für die Umwelt und die menschliche Gesundheit zu vermeiden, die andernfalls durch unsachgemäße Entsorgung von Abfällen dieses Produkts verursacht werden könnten. Für weitere Informationen wenden Sie sich bitte an Ihre Gemeindeverwaltung oder die nächstgelegene Sammelstelle. Die unsachgemäße Entsorgung dieser Art von Abfall kann gemäß den nationalen Vorschriften zu Geldstrafen führen.

